



Mitsubishi Electric AC Servo System

MITSUBISHI ELECTRIC SERVO SYSTEM
MELSERVo-*J5*

MR-J5-B/MR-J5W-B
User's Manual
(Introduction)

-MR-J5- _B_
-MR-J5W- _-B_

SAFETY INSTRUCTIONS

Please read the instructions carefully before using the equipment.

To use the equipment correctly, do not attempt to install, operate, maintain, or inspect the equipment until you have read through this manual, installation guide, and appended documents carefully. Do not use the equipment until you have a full knowledge of the equipment, safety information and instructions.

In this manual, the safety instruction levels are classified into "WARNING" and "CAUTION".



WARNING

Indicates that incorrect handling may cause hazardous conditions, resulting in death or severe injury.



CAUTION


Indicates that incorrect handling may cause hazardous conditions, resulting in medium or slight injury.

Note that the CAUTION level may lead to a serious consequence depending on conditions.


Please follow the instructions of both levels because they are important to personnel safety.

Forbidden actions and required actions are indicated by the following diagrammatic symbols.



Indicates a forbidden action. For example, "No Fire" is indicated by .



Indicates a required action. For example, grounding is indicated by .

In this manual, precautions for hazards that can lead to property damage, instructions for other functions, and other information are shown separately in the "POINT" area.

After reading this manual, keep it accessible to the operator.

[Installation/wiring]

WARNING

- To prevent an electric shock, turn off the power and wait for 15 minutes or more before starting wiring and/or inspection.
 - To prevent an electric shock, ground the servo amplifier.
 - To prevent an electric shock, any person who is involved in wiring should be fully competent to do the work.
 - To prevent an electric shock, mount the servo amplifier before wiring.
 - To prevent an electric shock, connect the protective earth (PE) terminal of the servo amplifier to the protective earth (PE) of the cabinet, then connect the grounding lead wire to the ground.
 - To prevent an electric shock, do not touch the conductive parts.
-

[Setting/adjustment]

WARNING

- To prevent an electric shock, do not operate the switches with wet hands.
-

[Operation]

WARNING

- To prevent an electric shock, do not operate the switches with wet hands.
-

[Maintenance]

WARNING

- To prevent an electric shock, any person who is involved in inspection should be fully competent to do the work.
 - To prevent an electric shock, do not operate the switches with wet hands.
-

DISPOSAL OF WASTE

Please dispose of this product, battery (primary battery), and other options according to your local laws and regulations.

ABOUT THE MANUAL

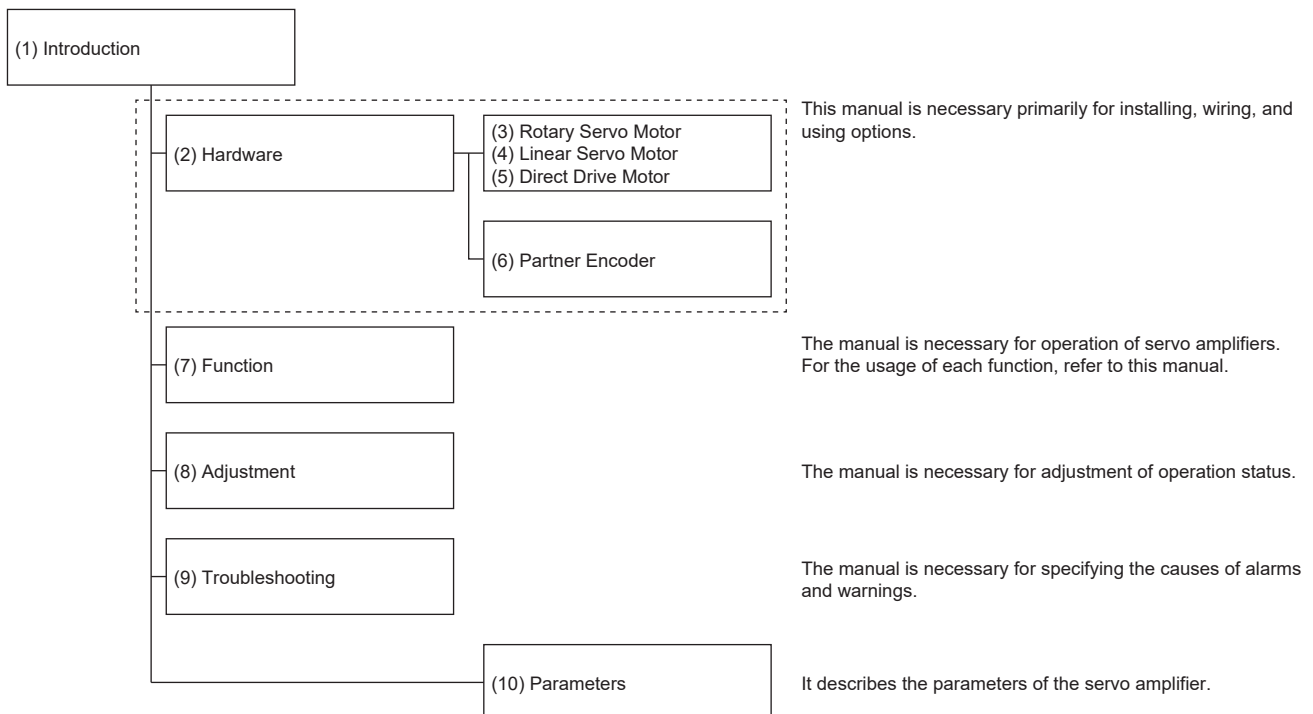
Point

e-Manuals are Mitsubishi Electric FA electronic book manuals that can be browsed with a dedicated tool.

e-Manuals enable the following:

- Searching for desired information in multiple manuals at the same time (manual cross searching)
- Jumping from a link in a manual to another manual for reference
- Browsing for hardware specifications by scrolling over the components shown in product illustrations
- Bookmarking frequently referenced information
- Copying sample programs to engineering tools

If using the servo for the first time, prepare and use the following related manuals to ensure that the servo is used safely.



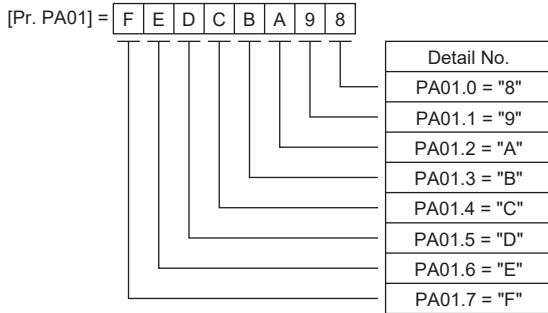
No.	Manual name	Manual No.
(1)	MR-J5-B/MR-J5W-B User's Manual (Introduction)	IB(NA)-0300578ENG
(2)	MR-J5 User's Manual (Hardware)	SH(NA)-030298ENG
(3)	Rotary Servo Motor User's Manual (For MR-J5)	SH(NA)-030314ENG
(4)	Linear Servo Motor User's Manual (LM-H3/LM-U2/LM-F/LM-K2 series)	SH(NA)-030316ENG
(5)	Direct Drive Motor User's Manual	SH(NA)-030318ENG
(6)	MR-J5 Partner's Encoder User's Manual	SH(NA)-030320ENG
(7)	MR-J5 User's Manual (Function)	SH(NA)-030300ENG
(8)	MR-J5 User's Manual (Adjustment)	SH(NA)-030306ENG
(9)	MR-J5 User's Manual (Troubleshooting)	SH(NA)-030312ENG
(10)	MR-J5-B/MR-J5W-B User's Manual (Parameters)	IB(NA)-0300581ENG

Interpreting servo parameter numbers

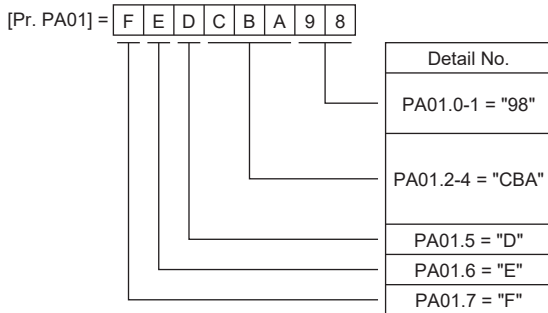
For a servo parameter which uses one particular digit to select a function, the position of its digit indicates the detail number of the servo parameter, and the value in hexadecimal which is set to the digit indicates the selected function.

For example, the detail number of the servo parameter in the last digit is expressed as [Pr. PA01.0]. In addition, a servo parameter which uses a combination of several digits to select a function, is expressed using "-" as seen in [Pr. PA01.0-1]. The following is an example of the servo parameter number PA01 with the setting values of "FEDCBA98" in hexadecimal.

- When setting a servo parameter with one particular digit



- When setting a servo parameter using a combination of several digits



For example, if the servo parameter name is "Function selection A-1", the setting digit name is "Forced stop deceleration function selection", and the setting digit is the fourth last digit in PA04, the servo parameter is expressed as shown below.

[Pr. PA04.3 Forced stop deceleration function selection]

Servo parameter	Symbol	Name	Description
PA04.3	*AOP	Forced stop deceleration function selection	Set "Forced stop deceleration function" to enabled/disabled. Initial value: 1h (enabled)

U.S. CUSTOMARY UNITS

U.S. customary units are not shown in this manual. Convert the values if necessary according to the following table.

Quantity	SI (metric) unit	U.S. customary unit
Mass	1 [kg]	2.2046 [lb]
Length	1 [mm]	0.03937 [inch]
Torque	1 [N·m]	141.6 [oz·inch]
Moment of inertia	1 [(× 10 ⁻⁴ kg·m ²)]	5.4675 [oz·inch ²]
Load (thrust load/axial load)	1 [N]	0.2248 [lbf]
Temperature	N [°C] × 9/5 + 32	N [°F]

CONTENTS

SAFETY INSTRUCTIONS	1
DISPOSAL OF WASTE	3
ABOUT THE MANUAL	3
U.S. CUSTOMARY UNITS	4
CHAPTER 1 SPECIFICATIONS	7
1.1 Outline	7
1.2 Model designation	7
1.3 Servo amplifier/motor combinations	9
1.4 Servo amplifier standard specifications	10
MR-J5-_B_	10
MR-J5W2-_B_	13
MR-J5W3-_B_	15
Functional safety	17
Environment	17
1.5 Function block diagram	18
MR-J5-_B_	18
MR-J5W-_B_	20
1.6 Configuration including peripheral equipment	21
1.7 Special specifications	22
Servo amplifiers without the dynamic brake (-ED/-RU)	22
CHAPTER 2 FUNCTION	23
2.1 Function list	23
2.2 Security	30
CHAPTER 3 STRUCTURE	31
3.1 Parts identification	31
3.2 Switch setting and display of the servo amplifier	35
Switches	35
7-segment LED	40
Status LEDs	44
CHAPTER 4 STARTUP	45
4.1 Turning on servo amplifier for the first time	49
Test operation of the servo motor alone in test operation mode	50
Equipment configuration setting	51
Controller-related setting	51
Operation by controller command	52
4.2 Instructions on startup	53
4.3 Troubleshooting at startup	53
4.4 Duplicate setting	54
Duplication using MR Configurator2	54
4.5 Test operation	54
Execution method	54
Test operation mode	55
Motor driving by test operation	56
Motor-less operation	59

Output signal (DO) forced output	60
4.6 Servo amplifier setting initialization	61
Initialization procedure by MR Mode Change	61
CHAPTER 5 MAINTENANCE, INSPECTION AND PARTS REPLACEMENT	62
<hr/>	
5.1 Inspection items	62
Periodic inspection	62
5.2 Parts with a service life	63
5.3 Replacing fan unit	64
CHAPTER 6 COMPLIANCE WITH GLOBAL STANDARDS	65
<hr/>	
6.1 Compliance with global standards	65
6.2 Handling of AC servo amplifier batteries for the United Nations Recommendations on the Transport of Dangerous Goods	65
Target model	65
Purpose	66
Handling during transportation	66
Package at our shipment	67
Transportation precaution for customers	67
6.3 Symbol for the new EU Battery Directive	68
6.4 Compliance with China Compulsory Certification (CCC)	69
6.5 Compliance with the China RoHS directive	70
REVISIONS	72
WARRANTY	73
TRADEMARKS	74

1 SPECIFICATIONS

1.1 Outline


The MR-J5-_B_ is a servo amplifier that supports SSCNET III/H communication.

One MR-J5W-_B_ servo amplifier can drive two or three servo motors. The footprint of one MR-J5W-_B_ servo amplifier is considerably smaller than that of two or three MR-J5-_B_ servo amplifiers.

1.2 Model designation

Rating plate

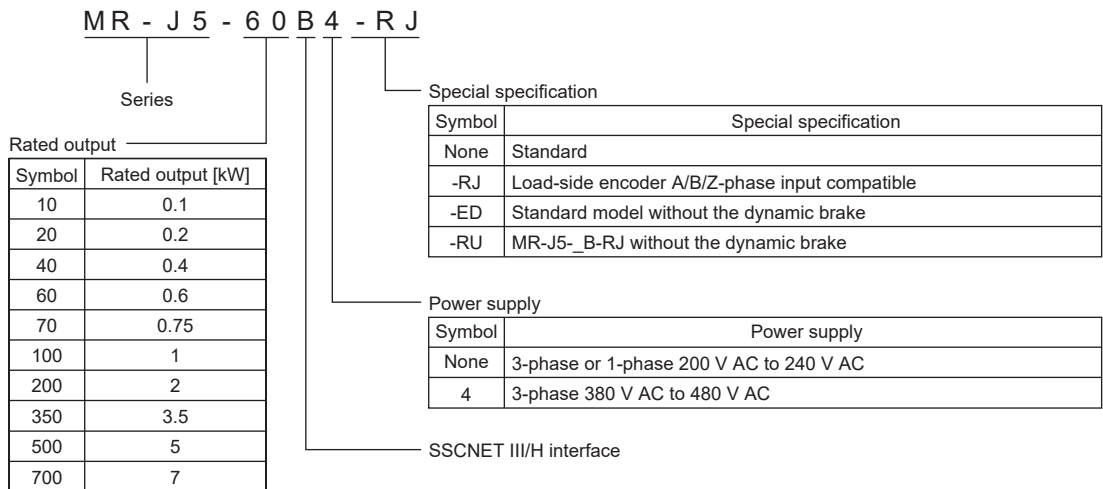
The following shows an example of the rating plate for explanation of each item.

	AC SERVO	
	SER.A95001001	Serial number
MODEL MR-J5-10B		Model
POWER :100W		Capacity
INPUT :3AC/AC 200-240V 0.9A/1.5A 50/60Hz		Applicable power supply
OUTPUT:3PH 0-240V 0-590Hz 1.3A		Rated output
STD.:IEC/EN/UL61800-5-1 GB12668.501 MAN.:IB(NA) 0300391		Standard, manual number
Max. Surrounding Air Temp.: 60°C		Ambient temperature
IP20/UL Open Type		IP rating
R-R-MDK-TC301A793G51		KC number
MITSUBISHI ELECTRIC CORPORATION DATE: 2019-05		Date of manufacture
TOKYO 100-8310, JAPAN MADE IN JAPAN		Country of origin
	PASSED	

Model

The following describes what each block of a model name indicates. Not all combinations of the symbols are available.

■MR-J5-B-



Item	Special specifications *1				Detailed explanation	
	Not attached (standard model)	-RJ	-ED	-RU		
CN2L connector	×	○	×	○	☞ Page 32 External encoder connector	
Linear servo system	Two-wire type	○	○	○		
	Four-wire type	○	○	○		
	A/B/Z-phase differential input	×	○	×	○	
Fully closed loop system Scale measurement function	Two-wire type	○	○	○	☞ Page 22 Servo amplifiers without the dynamic brake (-ED/-RU)	
	Four-wire type	×	○	×		○
	A/B/Z-phase differential input	×	○	×		○
Built-in dynamic brake	7 kW or less	○	○	×	×	

*1 ○: The corresponding item is included or supported.
 ×: The corresponding item is not included or not supported.

MR-J5W_-_B

MR - J 5 W 2 - 4 4 B - E D

Series

Number of axes

Symbol	Number of axes
W2	2
W3	3

Special specification

Symbol	Special specification
None	Standard
-ED	Without the dynamic brake

SSCNET III/H interface

Rated output

Symbol	Rated output [kW]		
	A-axis	B-axis	C-axis
22	0.2	0.2	-
44	0.4	0.4	-
77	0.75	0.75	-
1010	1	1	-
222	0.2	0.2	0.2
444	0.4	0.4	0.4

Item	Special specifications ^{*1}		Detailed explanation
	Not attached (standard model)	-ED	
CN2L connector	×	×	☞ Page 34 External encoder connector
Linear servo system	Two-wire type	○	
	Four-wire type	○	
	A/B/Z-phase differential input	×	
Fully closed loop system ^{*2} Scale measurement function ^{*2}	Two-wire type	○	☞ Page 22 Servo amplifiers without the dynamic brake (-ED/-RU)
	Four-wire type	×	
	A/B/Z-phase differential input	×	
Built-in dynamic brake	○	×	

*1 ○: The corresponding item is included or supported.

×: The corresponding item is not included or not supported.

*2 Not available on the MR-J5W3-_B.

1.3 Servo amplifier/motor combinations

Refer to "Servo amplifier/motor combinations" in the following manual.

☞ MR-J5 User's Manual (Hardware)

1.4 Servo amplifier standard specifications

MR-J5- B_

200 V class

Model: MR-J5-		10B	20B	40B	60B	70B	100B	200B	350B	500B	700B	
Output	Voltage	3-phase 0 V AC to 240 V AC										
	Rated current [A]	1.3	1.8	2.8	3.2	5.8	6.0	11.0	17.0	28.0	37.0	
Main circuit power supply input	Voltage/ Frequency	At AC input	3-phase or 1-phase 200 V AC to 240 V AC, 50 Hz/60 Hz				3-phase or 1-phase 200 V AC to 240 V AC, 50 Hz/60 Hz ^{*4}		3-phase 200 V AC to 240 V AC, 50 Hz/60 Hz			
		At DC input	283 V DC to 340 V DC									
	Rated current [A] ^{*3}	0.9	1.5	2.6	3.2	3.8	5.0	10.5	16.0	21.7	28.9	
	Permissible voltage fluctuation	At AC input	3-phase or 1-phase 170 V AC to 264 V AC				3-phase or 1-phase 170 V AC to 264 V AC ^{*4}		3-phase 170 V AC to 264 V AC			
		At DC input	241 V DC to 374 V DC									
	Permissible frequency fluctuation	Within ±5 %										
	Power supply capacity [kVA]	Refer to "Power supply capacity and generated loss" in the following manual. ☐MR-J5 User's Manual (Hardware)										
Inrush current [A]	Refer to "Inrush currents at power-on of main circuit and control circuit" in the following manual. ☐MR-J5 User's Manual (Hardware)											
Control circuit power supply input	Voltage/ Frequency	At AC input	1-phase 200 V AC to 240 V AC, 50 Hz/60 Hz									
		At DC input	283 V DC to 340 V DC									
	Rated current [A]	0.2									0.3	
	Permissible voltage fluctuation	At AC input	1-phase 170 V AC to 264 V AC									
		At DC input	241 V DC to 374 V DC									
	Permissible frequency fluctuation	Within ±5 %										
	Power consumption [W]	30										
Inrush current [A]	Refer to "Inrush currents at power-on of main circuit and control circuit" in the following manual. ☐MR-J5 User's Manual (Hardware)											
Interface power supply	Voltage	24 V DC ±10 %										
	Current capacity [A]	0.3 (including CN8 connector signals) ^{*1}										
Control method	Sine-wave PWM control, current control method											
Dynamic brake	Built-in											
SSCNET III/H	Communication cycle ^{*6}	0.222 ms, 0.444 ms, 0.888 ms										
Communication function	USB	Connection to a personal computer or other devices (MR Configurator2-compatible)										
Encoder output pulses	Compatible (A/B/Z-phase pulse)											
Analog monitor	Two channels											
Fully closed loop control	Supported											
Scale measurement function	Supported											
Load-side encoder interface	MR-J5- B	Mitsubishi Electric high-speed serial communication										
	MR-J5- B-RJ	Mitsubishi Electric high-speed serial communication/A/B/Z-phase differential input signal										
Protective functions	Overcurrent shut-off, regenerative overvoltage shut-off, overload shut-off (electronic thermal), servo motor overheat protection, encoder error protection, regenerative error protection, undervoltage protection, instantaneous power failure protection, overspeed protection, excessive error protection, magnetic pole detection protection, and linear servo control error protection											

Model: MR-J5-		10B	20B	40B	60B	70B	100B	200B	350B	500B	700B	
Satisfied standards	CE marking	LVD: EN 61800-5-1, EMC: EN 61800-3, MD: EN ISO 13849-1:2015, EN 61800-5-2, EN 62061										
	UKCA marking	LVD: BS EN 61800-5-1, EMC: BS EN IEC 61800-3, MD: BS EN ISO 13849-1:2015, BS EN 61800-5-2, BS EN 62061										
	UL standard	UL 61800-5-1										
Structure (IP rating)		Natural cooling, open (IP20)				Force cooling, open (IP20)			Force cooling, open (IP20) *5			
Close mounting *2	3-phase power supply input	Possible										
	1-phase power supply input	Possible				Impossible			—			
Mass [kg]		0.8		1.0		1.4		2.2		3.7		6.2

*1 This value is applicable when all I/O signals are used. Reducing the number of I/O points decreases the current capacity.

*2 If closely mounting the servo amplifiers, operate them at an ambient temperature of 0 °C to 45 °C or at 75 % or less of the effective load ratio.

*3 This current value is applicable when a 3-phase power supply is used.

*4 If using 1-phase power supply in combination with the servo motor of 750 W or higher, operate the servo amplifier at 75 % or less of the effective load ratio.

*5 This does not apply to connectors.

*6 The communication cycle depends on the controller specifications and the number of the connected axes.

400 V class

Model: MR-J5-			60B4	100B4	200B4	350B4
Output	Voltage		3-phase 0 V AC to 480 V AC			
	Rated current [A]		1.6	2.8	5.5	8.6
Main circuit power supply input	Voltage/ Frequency	At AC input	3-phase 380 V AC to 480 V AC, 50 Hz/60 Hz			
	Rated current [A]		1.4	2.5	5.1	7.9
	Permissible voltage fluctuation	At AC input	3-phase 323 V AC to 528 V AC			
	Permissible frequency fluctuation		Within ±5 %			
	Power supply capacity [kVA]		Refer to "Power supply capacity and generated loss" in the following manual. MR-J5 User's Manual (Hardware)			
	Inrush current [A]		Refer to "Inrush currents at power-on of main circuit and control circuit" in the following manual. MR-J5 User's Manual (Hardware)			
Control circuit power supply input	Voltage/ Frequency	At AC input	1-phase 380 V AC to 480 V AC, 50 Hz/60 Hz			
	Rated current [A]		0.1			
	Permissible voltage fluctuation	At AC input	1-phase 323 V AC to 528 V AC			
	Permissible frequency fluctuation		Within ±5 %			
	Power consumption [W]		30			
	Inrush current [A]		Refer to "Inrush currents at power-on of main circuit and control circuit" in the following manual. MR-J5 User's Manual (Hardware)			
Interface power supply	Voltage		24 V DC ±10 %			
	Current capacity [A]		0.3 (including CN8 connector signals) *1			
Control method			Sine-wave PWM control, current control method			
Dynamic brake			Built-in			
SSCNET III/H	Communication cycle *2		0.222 ms, 0.444 ms, 0.888 ms			
Communication function	USB		Connection to a personal computer or other devices (MR Configurator2-compatible)			
Encoder output pulses			Compatible (A/B/Z-phase pulse)			
Analog monitor			Two channels			
Fully closed loop control			Supported			
Scale measurement function			Supported			

Model: MR-J5-		60B4	100B4	200B4	350B4
Load-side encoder interface	MR-J5-_B4	Mitsubishi Electric high-speed serial communication			
	MR-J5-_B4-RJ	Mitsubishi Electric high-speed serial communication/A/B/Z-phase differential input signal			
Protective functions		Overcurrent shut-off, regenerative overvoltage shut-off, overload shut-off (electronic thermal), servo motor overheat protection, encoder error protection, regenerative error protection, undervoltage protection, instantaneous power failure protection, overspeed protection, excessive error protection, magnetic pole detection protection, and linear servo control error protection			
Satisfied standards	CE marking	LVD: EN 61800-5-1, EMC: EN 61800-3, MD: EN ISO 13849-1:2015, EN 61800-5-2, EN 62061			
	UKCA marking	LVD: BS EN 61800-5-1, EMC: BS EN IEC 61800-3, MD: BS EN ISO 13849-1:2015, BS EN 61800-5-2, BS EN 62061			
	UL standard	UL 61800-5-1			
Structure (IP rating)		Natural cooling, open (IP20)		Force cooling, open (IP20)	
Close mounting		Impossible			
Mass [kg]		1.6		2.2	2.3

*1 This value is applicable when all I/O signals are used. Reducing the number of I/O points decreases the current capacity.

*2 The communication cycle depends on the controller specifications and the number of the connected axes.

MR-J5W2-_B

Model: MR-J5W2-		22B	44B	77B	1010B	
Output	Voltage	3-phase 0 V AC to 240 V AC				
	Rated current (each axis) [A]	1.8	2.8	5.8	6.0	
Main circuit power supply input	Voltage/ Frequency	At AC input	3-phase or 1-phase 200 V AC to 240 V AC, 50 Hz/60 Hz			3-phase 200 V AC to 240 V AC, 50 Hz/60 Hz
		At DC input	283 V DC to 340 V DC			
	Rated current [A] ^{*3}	2.9	5.2	7.5	9.8	
	Permissible voltage fluctuation	At AC input	3-phase or 1-phase 170 V AC to 264 V AC			3-phase 170 V AC to 264 V AC
		At DC input	241 V DC to 374 V DC			
	Permissible frequency fluctuation	Within ±5 %				
	Power supply capacity [kVA]	Refer to "Power supply capacity and generated loss" in the following manual. MR-J5 User's Manual (Hardware)				
	Inrush current [A]	Refer to "Inrush currents at power-on of main circuit and control circuit" in the following manual. MR-J5 User's Manual (Hardware)				
Control circuit power supply input	Voltage/ Frequency	At AC input	1-phase 200 V AC to 240 V AC, 50 Hz/60 Hz			
		At DC input	283 V DC to 340 V DC			
	Rated current [A]	0.4				
	Permissible voltage fluctuation	At AC input	1-phase 170 V AC to 264 V AC			
		At DC input	241 V DC to 374 V DC			
	Permissible frequency fluctuation	Within ±5 %				
	Power consumption [W]	55				
	Inrush current [A]	Refer to "Inrush currents at power-on of main circuit and control circuit" in the following manual. MR-J5 User's Manual (Hardware)				
Interface power supply	Voltage	24 V DC ±10 %				
	Current capacity [A]	0.35 (including CN8 connector signals) ^{*1}				
Control method	Sine-wave PWM control, current control method					
Dynamic brake	Built-in					
SSCNET III/H	Communication cycle ^{*4}	0.222 ms, 0.444 ms, 0.888 ms				
Communication function	USB	Connection to a personal computer or other devices (MR Configurator2-compatible)				
Encoder output pulses	Compatible (A/B-phase pulse)					
Analog monitor	Unavailable					
Fully closed loop control	Supported					
Scale measurement function	Supported					
Load-side encoder interface	Mitsubishi Electric high-speed serial communication					
Protective functions	Overcurrent shut-off, regenerative overvoltage shut-off, overload shut-off (electronic thermal), servo motor overheat protection, encoder error protection, regenerative error protection, undervoltage protection, instantaneous power failure protection, overspeed protection, excessive error protection, magnetic pole detection protection, and linear servo control error protection					
Satisfied standards	CE marking	LVD: EN 61800-5-1, EMC: EN 61800-3, MD: EN ISO 13849-1:2015, EN 61800-5-2, EN 62061				
	UKCA marking	LVD: BS EN 61800-5-1, EMC: BS EN IEC 61800-3, MD: BS EN ISO 13849-1:2015, BS EN 61800-5-2, BS EN 62061				
	UL standard	UL 61800-5-1				
Structure (IP rating)	Natural cooling, open (IP20)	Force cooling, open (IP20)				
Close mounting ^{*2}	Possible					
Mass [kg]	1.5		1.9			

- *1 This value is applicable when all I/O signals are used. Reducing the number of I/O points decreases the current capacity.
- *2 If closely mounting the servo amplifiers, operate them at an ambient temperature of 0 °C to 45 °C or at 75 % or less of the effective load ratio.
- *3 This current value is applicable when a 3-phase power supply is used.
- *4 The communication cycle depends on the controller specifications and the number of the connected axes.

MR-J5W3-_B

Model: MR-J5W3-		222B	444B	
Output	Voltage	3-phase 0 V AC to 240 V AC		
	Rated current (each axis) [A]	1.8	2.8	
Main circuit power supply input	Voltage/ Frequency	At AC input	3-phase or 1-phase 200 V AC to 240 V AC, 50 Hz/60 Hz	
		At DC input	283 V DC to 340 V DC	
	Rated current [A] ^{*3}	4.3	7.8	
	Permissible voltage fluctuation	At AC input	3-phase or 1-phase 170 V AC to 264 V AC	
		At DC input	241 V DC to 374 V DC	
	Permissible frequency fluctuation	Within ±5 %		
	Power supply capacity [kVA]	Refer to "Power supply capacity and generated loss" in the following manual. MR-J5 User's Manual (Hardware)		
Inrush current [A]	Refer to "Inrush currents at power-on of main circuit and control circuit" in the following manual. MR-J5 User's Manual (Hardware)			
Control circuit power supply input	Voltage/ Frequency	At AC input	1-phase 200 V AC to 240 V AC, 50 Hz/60 Hz	
		At DC input	283 V DC to 340 V DC	
	Rated current [A]	0.4		
	Permissible voltage fluctuation	At AC input	1-phase 170 V AC to 264 V AC	
		At DC input	241 V DC to 374 V DC	
	Permissible frequency fluctuation	Within ±5 %		
	Power consumption [W]	55		
Inrush current [A]	Refer to "Inrush currents at power-on of main circuit and control circuit" in the following manual. MR-J5 User's Manual (Hardware)			
Interface power supply	Voltage	24 V DC ±10 %		
	Current capacity [A]	0.45 (including CN8 connector signals) ^{*1}		
Control method	Sine-wave PWM control, current control method			
Dynamic brake	Built-in			
SSCNET III/H	Communication cycle ^{*4}	0.222 ms, 0.444 ms, 0.888 ms		
Communication function	USB	Connection to a personal computer or other devices (MR Configurator2-compatible)		
Encoder output pulses	Available only on axes A and B (A/B-phase pulse)			
Analog monitor	Unavailable			
Fully closed loop control	Not supported			
Scale measurement function	Not supported			
Protective functions	Overcurrent shut-off, regenerative overvoltage shut-off, overload shut-off (electronic thermal), servo motor overheat protection, encoder error protection, regenerative error protection, undervoltage protection, instantaneous power failure protection, overspeed protection, excessive error protection, magnetic pole detection protection, and linear servo control error protection			
Satisfied standards	CE marking	LVD: EN 61800-5-1, EMC: EN 61800-3, MD: EN ISO 13849-1:2015, EN 61800-5-2, EN 62061		
	UKCA marking	LVD: BS EN 61800-5-1, EMC: BS EN IEC 61800-3, MD: BS EN ISO 13849-1:2015, BS EN 61800-5-2, BS EN 62061		
	UL standard	UL 61800-5-1		
Structure (IP rating)	Force cooling, open (IP20)			
Close mounting ^{*2}	Possible			
Mass [kg]	1.8			

- *1 This value is applicable when all I/O signals are used. Reducing the number of I/O points decreases the current capacity.
- *2 If closely mounting the servo amplifiers, operate them at an ambient temperature of 0 °C to 45 °C or at 75 % or less of the effective load ratio.
- *3 This current value is applicable when a 3-phase power supply is used.
- *4 The communication cycle depends on the controller specifications and the number of the connected axes.

Functional safety

Item		Specifications
Safety sub-function		STO (IEC/EN 61800-5-2)
Safety performance	Satisfied standards	EN ISO 13849-1:2015 Category 3 PL e, IEC 61508 SIL 3, EN 62061 SIL CL 3, EN 61800-5-2
	Response performance	8 ms or less (STO input off → energy shut off)
	Test pulse input (STO) *1	Test pulse interval: 1 Hz to 25 Hz, test pulse off time: Up to 1 ms
	Mean time to dangerous failure (MTTFd)	MTTFd ≥ 100 [years] (314a)
	Diagnostic coverage (DC)	DC = Medium, 97.6 [%]
	Probability of dangerous Failure per Hour (PFH)	PFH = 6.4×10^{-9} [1/h]
	Mission time (T _M) *2	T _M = 20 [year]

*1 A test pulse is a signal which instantaneously turns off a signal to the servo amplifier at a constant period for external circuits to perform self-diagnosis.

*2 Although the special proof tests within the mission time of the safety sub-function is not needed to be performed, the suggested diagnostic test interval in IEC 61800-5-2: 2016 is at least one test per three months for Category 3 PL e, SIL 3.

Environment

Item		Operation	Transportation	Storage
Ambient temperature		0 °C to 60 °C (non-freezing) Class 3K3 (IEC 60721-3-3)	-25 °C to 70 °C (non-freezing) Class 2K12 (IEC 60721-3-2)	-25 °C to 70 °C (non-freezing) Class 1K4 (IEC 60721-3-1)
Ambient humidity		5 %RH to 95 %RH (non-condensing)	5 %RH to 95 %RH (non-condensing)	5 %RH to 95 %RH (non-condensing)
Ambience		Indoors (no direct sunlight); no corrosive gas, inflammable gas, oil mist or dust		
Altitude/atmospheric pressure		Altitude: 2000 m or less *1	Transportation conditions: Must be transported by ground/sea, or air at an atmospheric pressure of 700 hPa or more.	Atmospheric pressure: 700 hPa to 1060 hPa (equivalent to the altitude of -400 m to 3000 m.)
Vibration resistance		Under intermittent vibration: 10 Hz to 57 Hz, displacement amplitude 0.075 mm 57 Hz to 150 Hz, acceleration amplitude 9.8 m/s ² Class 3M1 (IEC 60721-3-3) Under continuous vibration (in each of the X, Y, and Z directions): 10 Hz to 55 Hz, acceleration amplitude 5.9 m/s ²	2 Hz to 9 Hz, displacement amplitude (half amplitude) 7.5 mm 9 Hz to 200 Hz, acceleration amplitude 20 m/s ² Class 2M3 (IEC 60721-3-2)	2 Hz to 9 Hz, displacement amplitude (half amplitude) 1.5 mm 9 Hz to 200 Hz, acceleration amplitude 5 m/s ² Class 1M2 (IEC 60721-3-1)
Dielectric strength	200 V class	Between main circuit (power supply/power terminal) and PE: 1500 V AC, 1 minute, 50 Hz/60 Hz		
	400 V class	Between main circuit (power supply/power terminal) and PE: 2000 V AC, 1 minute, 50 Hz/60 Hz		
Insulation resistance		Between main circuit (power supply/power terminal) and PE: 0.5 MΩ or more (with a 500 V DC megger)		

*1 Refer to "Restrictions when using this product at altitude exceeding 1000 m and up to 2000 m" in the following manual for using the product at altitude exceeding 1000 m.

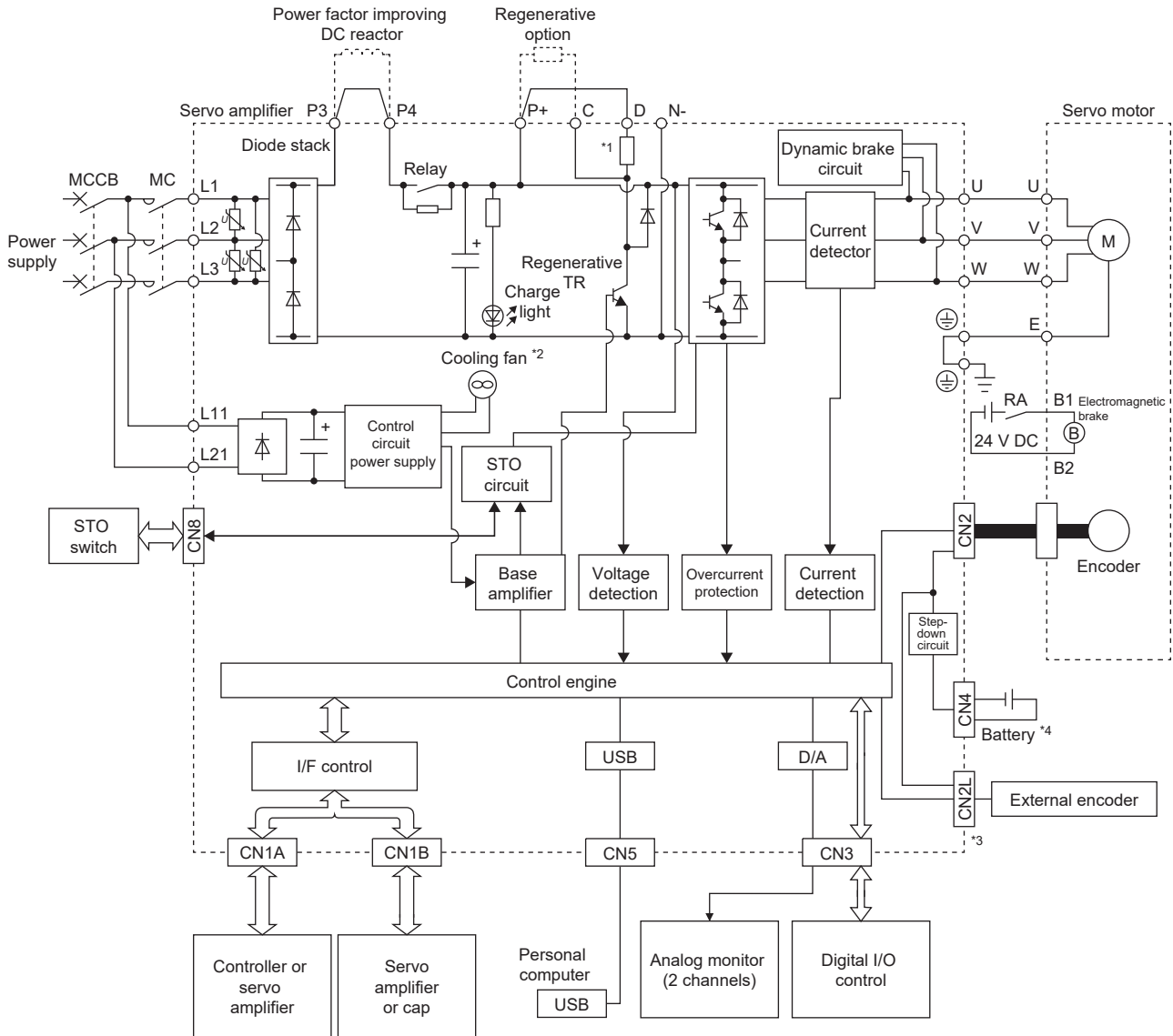
MR-J5 User's Manual (Hardware)

1.5 Function block diagram

The following shows the function block diagram of this servo amplifier.

MR-J5- B_

200 V class

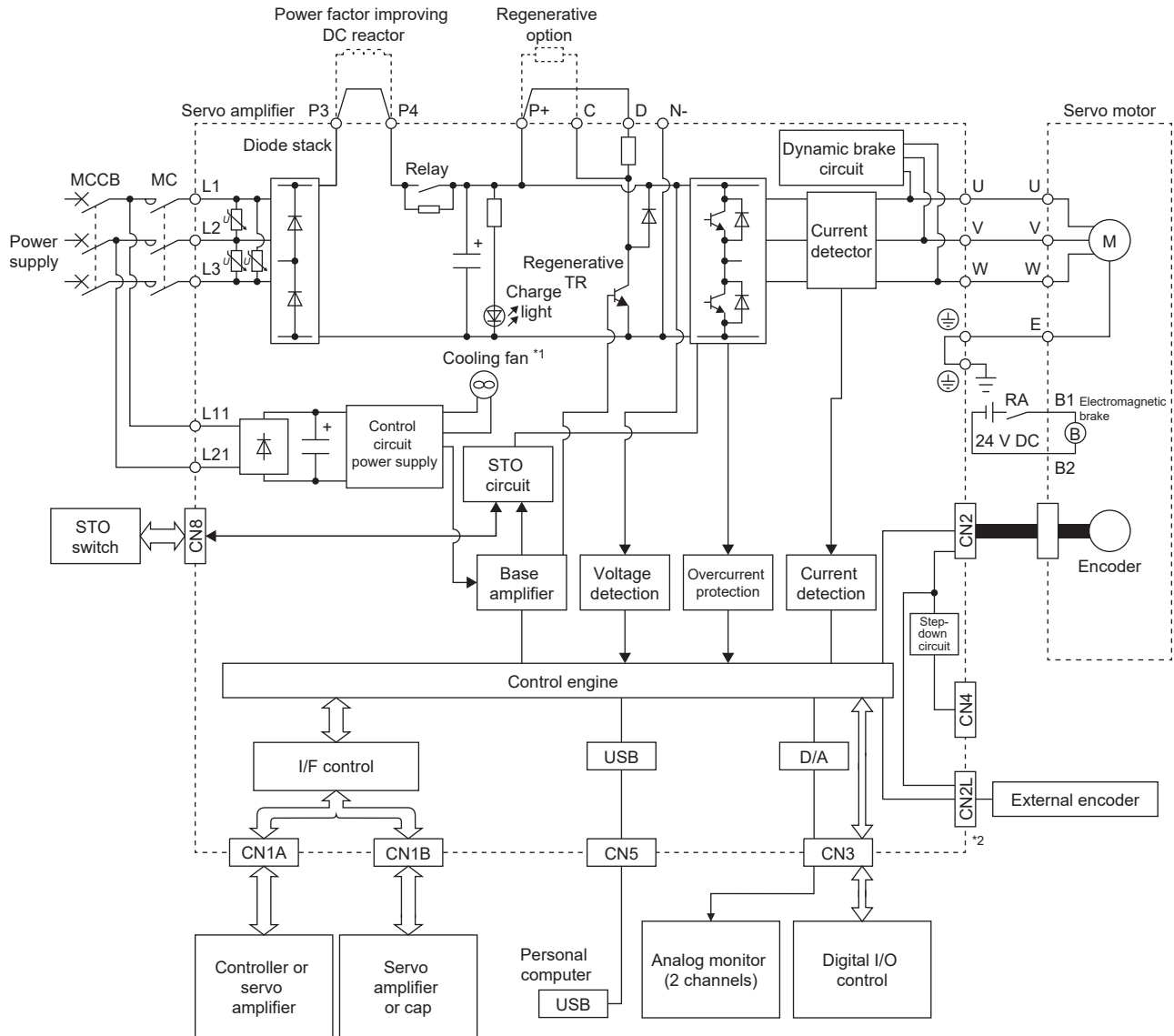


*1 The regenerative resistor is not built into the MR-J5-10B_.

*2 Servo amplifiers with the rated output symbol of 70 (MR-J5-70B_) or greater have a cooling fan.

*3 This is for the MR-J5- B-RJ servo amplifier. The MR-J5- B servo amplifier does not have a CN2L connector.

*4 To configure an absolute position detection system by using a direct drive motor, the battery is required. To configure the absolute position detection system by using the HK series servo motor, the battery is not required.

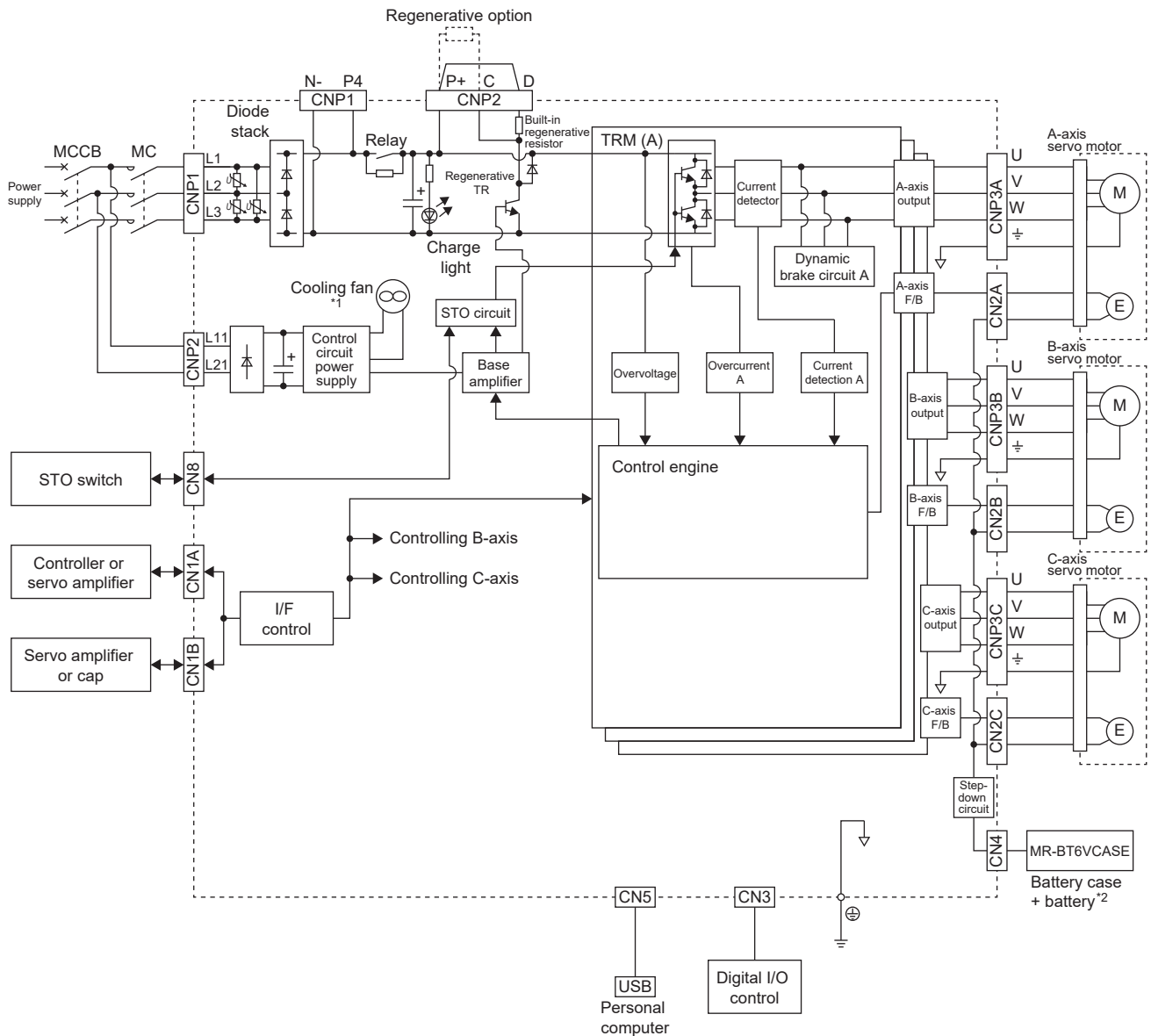


*1 Servo amplifiers with the rated output symbol of 200 (MR-J5-200B4_) or greater have a cooling fan.

*2 This is for the MR-J5-_B4-RJ servo amplifier. The MR-J5-_B4 servo amplifier does not have a CN2L connector.

MR-J5W_-_B

The following is an example using MR-J5W3-_B.



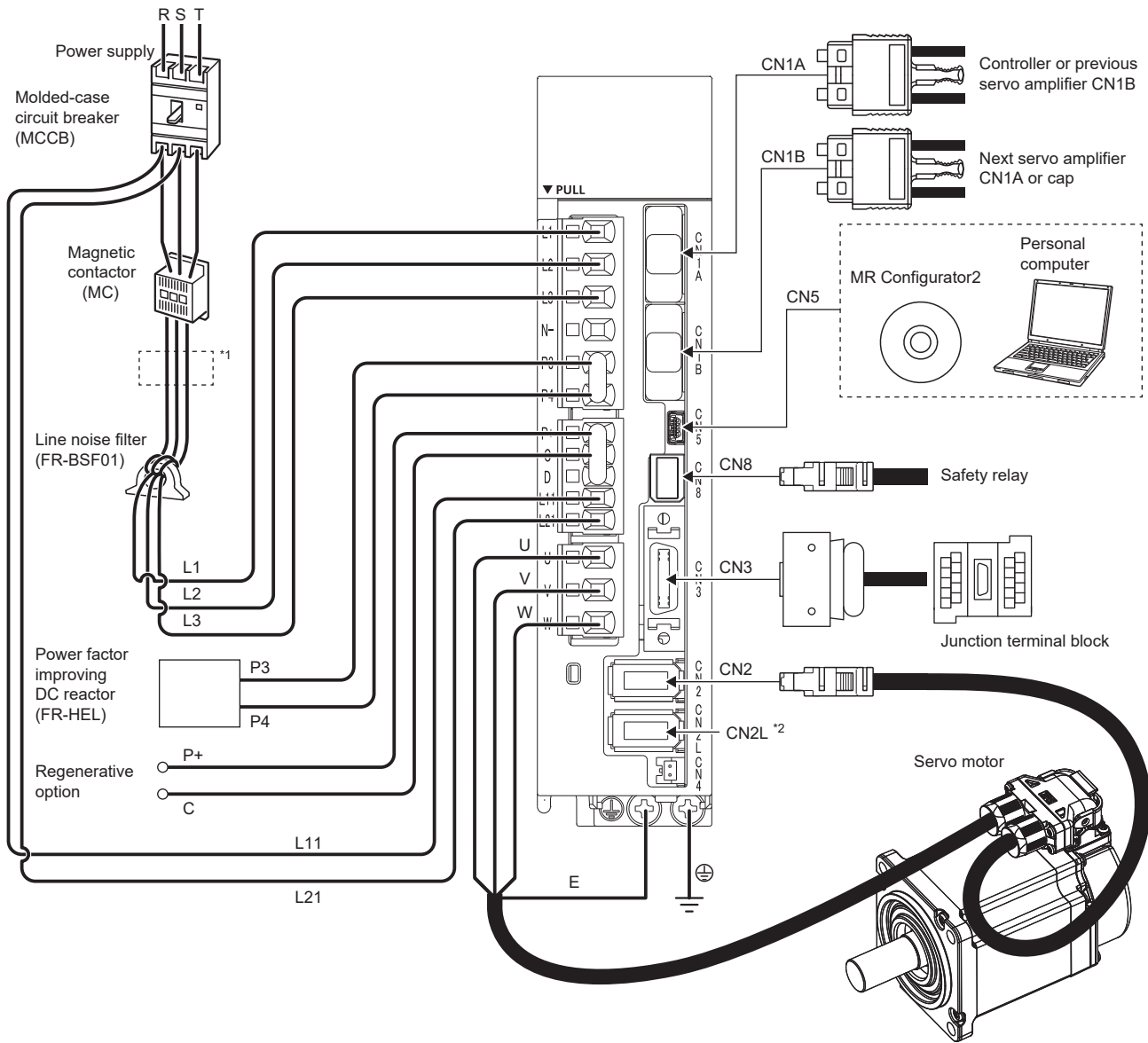
*1 The MR-J5W2-22B does not have a cooling fan.

*2 To configure an absolute position detection system by using a direct drive motor, the battery is required. To configure the absolute position detection system by using the HK series servo motor, the battery is not required.

1.6 Configuration including peripheral equipment

- To prevent a malfunction, do not connect these connectors to any network other than the specified network.
- Equipment other than the servo amplifier and servo motor is optional or a recommended product.

The following is an example using MR-J5-20B-RJ.



*1 The power factor improving AC reactor can also be used. In this case, the power factor improving DC reactor cannot be used.
 *2 This is for the MR-J5-_B-RJ servo amplifier. The MR-J5-_B servo amplifier does not have a CN2L connector. If using the MR-J5-_B-RJ servo amplifier in a linear servo system or a fully closed loop system, connect an external encoder to this connector. Refer to the following for the compatible external encoders.

☞ Page 31 Parts identification

1.7 Special specifications

Servo amplifiers without the dynamic brake (-ED/-RU)

Summary

This section describes the servo amplifiers without the dynamic brake. Items not described in this section are the same as the MR-J5-_B(4)(-RJ) and MR-J5W_-_B.

Specifications

The built-in dynamic brakes of the servo amplifiers with capacity of 7 kW or less are removed.

Take safety measures such as providing an extra circuit in case of an emergency stop, alarm, and servo motor stop at power supply shut-off.

When specific servo motors are being used, the electronic dynamic brake may be activated at an alarm occurrence.

For the specific servo motors, refer to "Precautions relating to the dynamic brake characteristics" in the following manual.

 MR-J5 User's Manual (Hardware)

Setting the following servo parameter disables the electronic dynamic brake.

Servo amplifier	Servo parameter	Setting value
MR-J5-_B(4)-ED MR-J5-_B(4)-RU MR-J5W_-_B-ED	[Pr. PF06.0]	2

When [Pr. PA04.3] is set to "2" (initial value), the forced stop deceleration function may be executed at an alarm occurrence.

Setting [Pr. PA04.3] to "0" disables the forced stop deceleration function.

2 FUNCTION

2.1 Function list

The function list of this servo amplifier is shown in the following table. For details of the functions, refer to each section indicated in the detailed explanation field.

Control mode

Functions	Detailed functions	Description	Ver. *1	Detailed explanation
Control mode	Position control mode (P_SSC)	This function operates the servo motor in the position control mode.	C4	Refer to "CONTROL MODE" in the following manual. MR-J5 User's Manual (Function)
	Speed control mode (S_SSC)	This function operates the servo motor in the speed control mode.	C4	
	Torque control mode (T_SSC)	This function operates the servo motor in the torque control mode.	C4	
Thrust/torque control	Continuous operation to torque control mode (ct)	This function enables smooth switching to torque control from the position control mode or speed control mode without stopping the servo motor. This eliminates rapid change of speed and torque, contributing to reduction in load to the machine and high-quality product molding.	C4	
Test operation	Test operation mode	This function requires MR Configurator2 for JOG operation, positioning operation, motorless operation, DO forced output, and program operation.	C4	Page 54 Test operation

*1 "Ver." indicates the supported firmware version of the servo amplifier. The functions are available on servo amplifiers with the indicated firmware version or later.

Drive motor

Functions	Detailed functions	Description	Ver. *1	Detailed explanation
Servo motor	Linear servo motor	Using the linear servo motor and linear encoder enables the linear servo system to be configured.	C4	Refer to "USING A LINEAR SERVO MOTOR" in the following manual. MR-J5 User's Manual (Hardware)
	Direct drive motor	Using this function enables the direct drive servo system to be configured to drive the direct drive motor.	C4	Refer to "USING A DIRECT DRIVE MOTOR" in the following manual. MR-J5 User's Manual (Hardware)
Encoder	High-resolution encoder	A 67108864 pulses/rev high-resolution encoder is used for the encoder of the rotary servo motor.	C4	—
	Batteryless absolute position encoder	The rotation position of the servo motor can be backed up without the battery. Using the servo motor with this encoder enables an absolute value detection system to be configured without battery.	C4	Refer to "ABSOLUTE POSITION DETECTION SYSTEM" in the following manual. MR-J5 User's Manual (Hardware)

*1 "Ver." indicates the supported firmware version of the servo amplifier. The functions are available on servo amplifiers with the indicated firmware version or later.

Network

Functions	Detailed functions	Description	Ver. *1	Detailed explanation
SSCNET series	SSCNET III/H	This function connects the servo amplifier to equipment such as a controller through SSCNET III/H.	C4	—

*1 "Ver." indicates the supported firmware version of the servo amplifier. The functions are available on servo amplifiers with the indicated firmware version or later.

Position detection

Functions	Detailed functions	Description	Ver. *1	Detailed explanation
Control method	Semi closed loop system	This function uses the servo motor encoder to configure semi closed loop systems.	C4	—
	Fully closed loop system	This function uses the load-side encoder to configure fully closed loop systems.	C4	Refer to "USING A FULLY CLOSED LOOP SYSTEM" in the following manual. MR-J5 User's Manual (Hardware)
	Scale measurement function	This function connects the scale measurement encoder in the state of the semi closed loop control to transmit the position information of the scale measurement encoder to the controller.	C4	Refer to "Scale measurement function" in the following manual. MR-J5 User's Manual (Function)
Absolute position	Absolute position detection system	This function performs homing once, and thereafter does not require homing at every power-on.	C4	Refer to "ABSOLUTE POSITION DETECTION SYSTEM" in the following manual. MR-J5 User's Manual (Hardware)

*1 "Ver." indicates the supported firmware version of the servo amplifier. The functions are available on servo amplifiers with the indicated firmware version or later.

Operation function

Functions	Detailed functions	Description	Ver. *1	Detailed explanation
Stop function	Stroke limit function	This function limits the travel interval of the servo motor using FLS (Upper stroke limit) and RLS (Lower stroke limit).	C4	Refer to "Stroke limit function" in the following manual. MR-J5 User's Manual (Function)
Command generation	Rotation/travel direction selection	This function sets the rotation direction of the servo motor without changing the command polarity.	C4	Refer to "Rotation/travel direction selection" in the following manual. MR-J5 User's Manual (Function)
	Electronic gear	This function performs positioning control with the value obtained by multiplying the position command from the upper controller by a set electronic gear ratio.	C4	Refer to "Electronic gear function" in the following manual. MR-J5 User's Manual (Function)
	Torque limit	This function limits the servo motor torque.	C4	Refer to "Torque limit" in the following manual. MR-J5 User's Manual (Function)
	Speed limit	This function limits the servo motor speed in the torque control mode.	C4	Refer to "Speed limit" in the following manual. MR-J5 User's Manual (Function)
Synchronization function	Master-slave operation function *2	This function sends the torque of the master axis to the slave axis through communication between drivers, and the slave axis performs torque control operation using that torque as the command.	C4	Refer to "Master-slave operation function" in the following manual. MR-J5 User's Manual (Function)

*1 "Ver." indicates the supported firmware version of the servo amplifier. The functions are available on servo amplifiers with the indicated firmware version or later.







*2 This function is not available for multi-axis servo amplifiers.

Control function

Functions	Detailed functions	Description	Ver. *1	Detailed explanation
Vibration suppression	Advanced vibration suppression control II	This function suppresses vibration and residual vibration at an arm end.	C4	Refer to "Advanced vibration suppression control II" in the following manual. MR-J5 User's Manual (Adjustment)
	Machine resonance suppression filter	This function decreases the gain of the specific frequency to suppress the resonance of the mechanical system.	C4	Refer to "Machine resonance suppression filter" in the following manual. MR-J5 User's Manual (Adjustment)
	Shaft resonance suppression filter	When driving the servo motor with a load mounted to the servo motor shaft, resonance due to shaft torsion may generate high frequency mechanical vibration. The shaft resonance suppression filter suppresses this vibration.	C4	Refer to "Shaft resonance suppression filter" in the following manual. MR-J5 User's Manual (Adjustment)
	Robust filter	This function improves a disturbance response when a response performance cannot be increased because of a large load to motor inertia ratio, such as a roll feed axis.	C4	Refer to "Robust filter" in the following manual. MR-J5 User's Manual (Adjustment)
	Slight vibration suppression control	This function suppresses vibration of ± 1 pulse generated at each servo motor stop.	C4	Refer to "SLIGHT VIBRATION SUPPRESSION CONTROL" in the following manual. MR-J5 User's Manual (Adjustment)
Tracking control	Lost motion compensation function	This function reduces the response delay generated when the machine moving direction is reversed.	C4	Refer to "Lost motion compensation function" in the following manual. MR-J5 User's Manual (Adjustment)
	Super trace control	This function reduces the droop pulses at the rated speed and at the uniform acceleration/ deceleration to almost zero.	C4	Refer to "Super trace control" in the following manual. MR-J5 User's Manual (Adjustment)
	Path tracking model adaptive control	This function reduces tracking errors in reciprocation.	C4	Refer to "Path tracking model adaptive control" in the following manual. MR-J5 User's Manual (Adjustment)






*1 "Ver." indicates the supported firmware version of the servo amplifier. The functions are available on servo amplifiers with the indicated firmware version or later.

Adjustment function

Functions	Detailed functions	Description	Ver. *1	Detailed explanation
Automatic adjustment	Quick tuning	This function automatically adjusts the gain at servo-on in a short time without acceleration/ deceleration operation of the servo motor. Response without overshoot is possible, saving gain adjustment time.	C4	Refer to "Quick tuning" in the following manual.  MR-J5 User's Manual (Adjustment)
	Auto tuning	This function automatically adjusts the gain to an optimum value even if the load applied to the servo motor shaft varies.	C4	Refer to "ADJUSTMENT FUNCTION TYPES" in the following manual.  MR-J5 User's Manual (Adjustment)
	One-touch tuning	Gain adjustment is performed with this function just by pressing buttons on the servo amplifier or by clicking a button once on MR Configurator2. One-touch tuning can also be performed via a network.	C4	Refer to "One-touch tuning" in the following manual.  MR-J5 User's Manual (Adjustment)
Custom adjustment	Model adaptive control	This function enables control according to the ideal model that is both stable and highly responsive. This is a two-degrees-of-freedom model and can adjust responses to commands and disturbances separately. This function can also be disabled.	C4	Refer to "MODEL ADAPTIVE CONTROL" in the following manual.  MR-J5 User's Manual (Adjustment)
	Gain switching function	This function switches gains during rotation and during stop, and uses an input device to switch gains during operation. It supports the gain switching by rotation direction and the 3-step gain switching. Therefore, more detailed gain switching is available.	C4	Refer to "GAIN SWITCHING FUNCTION" in the following manual.  MR-J5 User's Manual (Adjustment)
Adjustment support	Machine analyzer	This function analyzes the frequency characteristic of the mechanical system by simply connecting the servo amplifier with an MR Configurator2 installed personal computer.	C4	Refer to "Adjustment functions available in combination with MR Configurator2" in the following manual.  MR-J5 User's Manual (Adjustment)




*1 "Ver." indicates the supported firmware version of the servo amplifier. The functions are available on servo amplifiers with the indicated firmware version or later.

I/O, monitor

Functions	Detailed functions	Description	Ver. *1	Detailed explanation
DI/DO	Output signal selection (device setting)	This function assigns output devices such as MBR (Electromagnetic brake interlock) to certain pins of the connector.	C4	Refer to "Assigning I/O devices" in the following manual.  MR-J5 User's Manual (Function)
	Output signal (DO) forced output	This function forcibly switches the output signals on and off regardless of the servo status. Use this function for purposes such as checking output signal wiring.	C4	 Page 60 Output signal (DO) forced output
	A/B/Z-phase output	This function outputs the positions of the encoder and linear encoder in the A/B/Z-phase signal.	C4	Refer to "A/B/Z-phase pulse output function" in the following manual.  MR-J5 User's Manual (Function)
LED	Status display	This function shows the servo status on the 7-segment LED display.	C4	 Page 35 Switch setting and display of the servo amplifier
Analog input/output	Analog monitor	This function outputs the servo status in voltage in real time.	C4	Refer to "MONITORING" in the following manual.  MR-J5 User's Manual (Function)
Monitor	Power monitoring function	This function calculates the running power and the regenerative power from the data in the servo amplifier such as speed and current. The power consumption and other values are displayed on MR Configurator2.	C4	


*1 "Ver." indicates the supported firmware version of the servo amplifier. The functions are available on servo amplifiers with the indicated firmware version or later.

Option

Functions	Detailed functions	Description	Ver. *1	Detailed explanation
Regenerative capacity enhancement	Simple converter	This function enables servo amplifiers to be used in a common DC bus connection. Utilizing the regenerative power contributes to energy-conservation. In addition, it decreases the number of molded case circuit breakers and magnetic contactors.	C4	Refer to "MR-CM simple converter" in the following manual.  MR-J5 User's Manual (Hardware)
	Regenerative option	Use this function if the built-in regenerative resistor of the servo amplifier does not have sufficient regenerative capacity for the generated regenerative power.	C4	Refer to "Regenerative option" in the following manual.  MR-J5 User's Manual (Hardware)
	Multifunction regeneration converter	This function returns the regenerative energy generated at servo motor deceleration to the power supply. The bus voltage can be standardized among multiple servo amplifiers.	C4	Refer to "FR-XC-(H) multifunction regeneration converter" in the following manual.  MR-J5 User's Manual (Hardware)

*1 "Ver." indicates the supported firmware version of the servo amplifier. The functions are available on servo amplifiers with the indicated firmware version or later.

Engineering tool

Functions	Detailed functions	Description	Ver. *1	Detailed explanation
Setup software	MR Configurator2	This function performs settings such as servo parameter settings, test operation, and monitoring with a personal computer.	C4	 Page 45 STARTUP

*1 "Ver." indicates the supported firmware version of the servo amplifier. The functions are available on servo amplifiers with the indicated firmware version or later.

Protective functions

Functions	Detailed functions	Description	Ver. *1	Detailed explanation
Alarm	Alarm function	This function displays an alarm or warning when an error occurs during operation. When an alarm occurs, ALM (Malfunction) turns off and stops the servo motor. When a warning occurs, WNG (Warning) will turn on. The servo motor may stop or continue operation depending on the warning.	C4	Refer to "Alarm function" in the following manual. ☞MR-J5 User's Manual (Function)
	Alarm history clear	This function clears alarm histories.	C4	Refer to "Alarm history" in the following manual. ☞MR-J5 User's Manual (Function)
Power error detection	Disconnection detection function	This function detects a disconnection in the main circuit power supply input and the servo motor power supply output.	C4	Refer to "Disconnection/incorrect wiring detection function" in the following manual. ☞MR-J5 User's Manual (Function)
Coasting distance reduction	Forced stop deceleration function	This function decelerates the servo motor to a stop at EM2 (Forced stop 2) off or when there is an alarm.	C4	Refer to "Forced stop deceleration function" in the following manual. ☞MR-J5 User's Manual (Function)
Drop protection	Electromagnetic brake interlock function	This function operates the electromagnetic brake at servo off and error occurrence, and prevents the vertical axis from dropping.	C4	Refer to "Electromagnetic brake interlock function" in the following manual. ☞MR-J5 User's Manual (Function)
	Vertical axis freefall prevention function	This function moves the axis up by the mechanical backlash amount of the electromagnetic brake to prevent damage to machines.	C4	Refer to "Vertical axis freefall prevention function" in the following manual. ☞MR-J5 User's Manual (Function)
Braking protection	Dynamic brake	During the power shut-off and alarm occurrence, this function shorts between U, V, and W phases and operates the dynamic brake.	C4	Refer to "Dynamic brake characteristics" in the following manual. ☞MR-J5 User's Manual (Hardware)

*1 "Ver." indicates the supported firmware version of the servo amplifier. The functions are available on servo amplifiers with the indicated firmware version or later.

Functional safety

Functions	Detailed functions	Description	Ver. *1	Detailed explanation
Safety sub-function	STO (Safe torque off)	This servo amplifier supports the STO function for functional safety as per IEC/EN 61800-5-2. This allows a safety system to be easily configured for the equipment.	C4	Refer to "USING STO FUNCTION" in the following manual. ☞MR-J5 User's Manual (Hardware)

*1 "Ver." indicates the supported firmware version of the servo amplifier. The functions are available on servo amplifiers with the indicated firmware version or later.

Instantaneous power failure measures

Functions	Detailed functions	Description	Ver. *1	Detailed explanation
Tough drive	SEMI-F47 function	This function uses the electrical energy charged in the capacitor to avoid triggering [AL. 010 Undervoltage] in case that an instantaneous power failure occurs during operation. Use a 3-phase power supply for the input power supply of the servo amplifier. Using a 1-phase 200 V AC for the input power supply will not comply with SEMI-F47 standard.	C4	Refer to "Compliance with SEMI-F47 standard" in the following manual. ☞MR-J5 User's Manual (Function)
	Tough drive function	This function makes the equipment continue operating even under conditions where an alarm would normally occur. There are two types of tough drive function: the vibration tough drive and the instantaneous power failure tough drive.	C4	Refer to "Tough drive function" in the following manual. ☞MR-J5 User's Manual (Function)

*1 "Ver." indicates the supported firmware version of the servo amplifier. The functions are available on servo amplifiers with the indicated firmware version or later.

Diagnostics

Functions	Detailed functions	Description	Ver. *1	Detailed explanation
Drive data diagnosis	Drive recorder	This function continuously monitors the servo status and records the state transition before and after an alarm for a fixed period of time. The recorded data can be checked by the Waveform-Display button on the drive recorder window of MR Configurator2 being clicked.	C4	Refer to "Drive recorder" in the following manual. MR-J5 User's Manual (Function)
	Graph function	This function obtains the servo status in the graph.	C4	Refer to "Graph function" in the following manual. MR-J5 User's Manual (Function)
		This function obtains a graph by using the trigger synchronized on multiple servo amplifiers via a network.	C4	—
Failure diagnosis	Encoder communication diagnosis function	This function diagnoses with MR Configurator2 whether the encoder communication error is caused by the circuit malfunction of the servo amplifier or by the malfunction of the cables/encoder.	C4	Refer to "Encoder communication diagnosis function" in the following manual. MR-J5 User's Manual (Function)
Service life diagnosis	Servo amplifier life diagnosis function	This function enables checking of the cumulative energization time, the number of the inrush relay on/off times, and the number of dynamic brake usage times. It gives an indication of the replacement time for parts on the servo amplifier with a service life (such as the capacitor and the relay) before they malfunction. MR Configurator2 is required for this function.	C4	Refer to "Servo amplifier life diagnosis function" in the following manual. MR-J5 User's Manual (Function)
	Motor life diagnosis function	This function predicts failures of the equipment and the servo motor based on the machine total travel distance. It gives an indication of the replacement time for the servo motor.	C4	
	Machine diagnosis function	This function uses the data in the servo amplifier to estimate the friction and vibrational component of the drive system in the equipment and to recognize an error in machine parts such as ball screws and bearings.	C4	Refer to "Machine diagnosis" in the following manual. MR-J5 User's Manual (Function)
		This function automatically sets the threshold used for detecting the error of machine parts such as ball screws and bearings. It outputs the warning when the friction, vibrational component, and total revolution of the servo motor are out of the set threshold. The error in the machine parts such as ball screws and bearings can be detected automatically.	C4	
		This function estimates the friction of gears and loosening of belts (decrease in the belt tension), and detects errors in the gears and belts.	C4	
System diagnosis	System configuration information	This function uses MR Configurator2 to monitor the servo amplifier model, connected servo motor, encoder, and other information.	C4	Refer to "System configuration display" in the following manual. MR-J5 User's Manual (Function)

*1 "Ver." indicates the supported firmware version of the servo amplifier. The functions are available on servo amplifiers with the indicated firmware version or later.

History

Functions	Detailed functions	Description	Ver. *1	Detailed explanation
—	Alarm history	This function saves information of the alarm that occurred in the servo amplifier. The information is saved in chronological order and used for occasions such as analyzing the cause of the alarm.	C4	Refer to "Alarm history" in the following manual. MR-J5 User's Manual (Function)

*1 "Ver." indicates the supported firmware version of the servo amplifier. The functions are available on servo amplifiers with the indicated firmware version or later.

2.2 Security

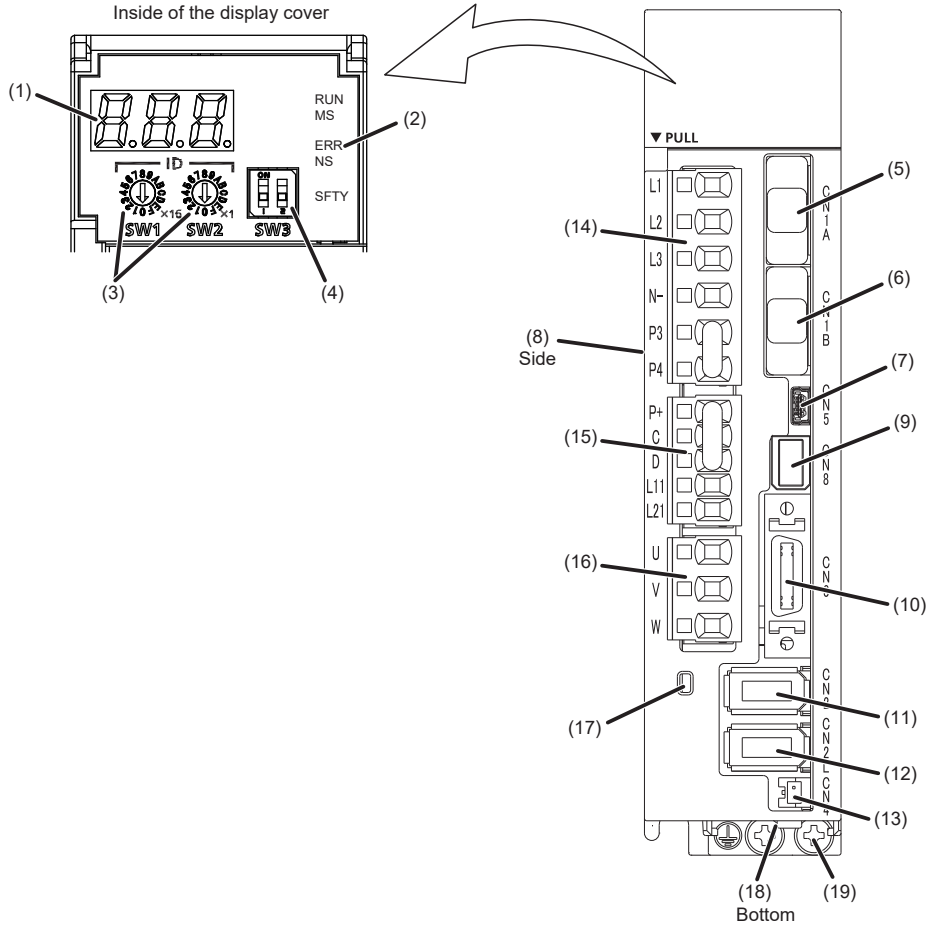
To completely prevent unauthorized access to the system from external devices, the user also must take safety measures. Mitsubishi Electric Corporation cannot be held responsible for any problems caused by unauthorized access.

3 STRUCTURE

3.1 Parts identification

MR-J5-_B_

The diagram shows the MR-J5-10B-RJ.



No.	Name	Application	Detailed explanation
(1)	Display section	The 3-digit, 7-segment LED display shows the servo status and alarm number.	Page 35 Switch setting and display of the servo amplifier
(2)	Network status LEDs	Displays each network status.	
(3)	Rotary switches (SW1/SW2)	Set the axis No. of the servo amplifier.	
(4)	DIP switch (SW3)	To change the mode to the test operation mode, set the switch. (SW3-1)	
(5)	SSCNET III cable connector (CN1A)	Connect the controller or front axis servo amplifier.	Refer to "SSCNET III cable connection" in the following manual. MR-J5 User's Manual (Hardware)
(6)	SSCNET III cable connector (CN1B)	Connect the rear axis servo amplifier. For the final axis, cover it with a cap.	
(7)	USB communication connector (CN5)	Connect with a personal computer.	
(8)	Rating plate	Indicates model, capacity, and other information.	Page 7 Rating plate
(9)	Functional safety I/O signal connector (CN8)	Connect an external safety relay to use the STO function.	Refer to "USING STO FUNCTION" and "USING FUNCTIONAL SAFETY" in the following manual. MR-J5 User's Manual (Hardware)

No.	Name	Application	Detailed explanation
(10)	I/O signal connector (CN3)	Connect the digital I/O signals. The analog monitor is output from this connector.	Refer to "Connectors and pin assignments" in the following manual. MR-J5 User's Manual (Hardware)
(11)	Encoder connector (CN2)	Connect a servo motor encoder or an external encoder.	Page 32 External encoder connector
(12) ^{*1}	External encoder connector (CN2L)	Connect the external encoder.	
(13)	Battery connector (CN4)	To configure the absolute position detection system by using a direct drive motor, connect the battery for absolute position data backup.	Refer to "ABSOLUTE POSITION DETECTION SYSTEM" in the following manual. MR-J5 User's Manual (Hardware)
(14)	Main circuit power connector (CNP1) ^{*2}	Connect the input power supply.	Refer to "Explanation of power supply system" in the following manual.
(15)	Control circuit power connector (CNP2) ^{*2}	Connect the control circuit power supply and regenerative option.	
(16)	Servo motor power output connector (CNP3) ^{*2}	Connect the servo motor.	MR-J5 User's Manual (Hardware)
(17)	Charge light	When the main circuit is charged, this light is on. While the light is on, do not change the connections of the wires.	—
(18)	Battery holder	Install the battery for absolute position data backup.	Refer to "DIMENSIONS" in the following manual. MR-J5 User's Manual (Hardware)
(19)	Protective earth (PE) terminal	Connect this terminal to the protective earth (PE) of the cabinet.	Refer to "Explanation of power supply system" in the following manual. MR-J5 User's Manual (Hardware)

*1 This is for the MR-J5-_B-RJ servo amplifier. The MR-J5-_B servo amplifier does not have a CN2L connector.

*2 For the terminal name/assignment, refer to "DIMENSIONS" in the following manual.

MR-J5 User's Manual (Hardware)

External encoder connector

The external encoder of A/B/Z-phase differential output type can be connected using the CN2L connector. The following table shows the communication method of the external encoder compatible with the MR-J5-_B_ and MR-J5-_B_-RJ servo amplifiers.

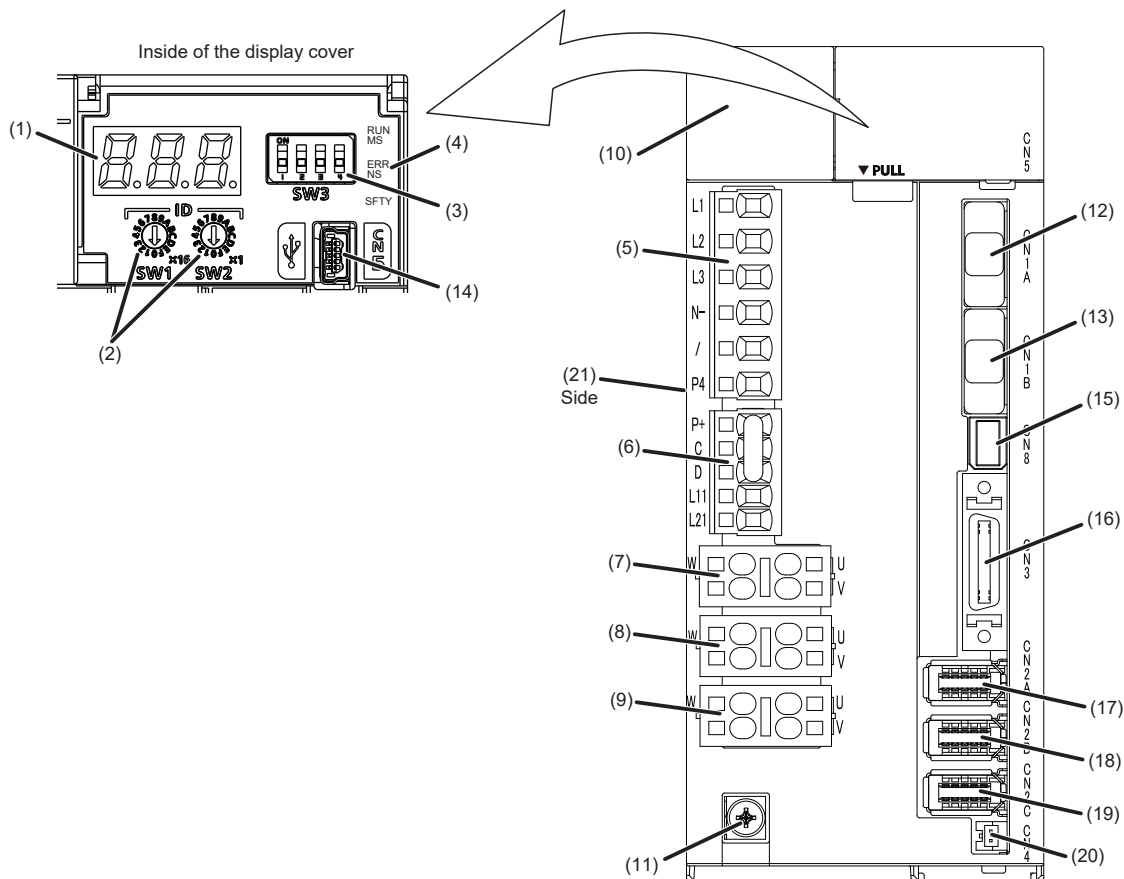
Operation mode	External encoder communication method	Connector	
		MR-J5-_B_	MR-J5-_B_-RJ
Linear servo system	Two-wire type	CN2 ^{*1}	CN2 ^{*1}
	Four-wire type		
	A/B/Z-phase differential input	—	CN2L ^{*4}
Fully closed loop system	Two-wire type	CN2 ^{*2 *3}	CN2L
	Four-wire type	—	
	A/B/Z-phase differential input		
Scale measurement function	Two-wire type	CN2 ^{*2 *3}	CN2L
	Four-wire type	—	
	A/B/Z-phase differential input		

*1 The MR-J4THCBL03M branch cable is required.

*2 The MR-J4FCCBL03M branch cable is required.

*3 If the external encoder communication method is the four-wire type, CN2 cannot be used. In that case, use the MR-J5-_B_-RJ.

*4 Connect a thermistor to CN2.



No.	Name	Application	Detailed explanation
(1)	Display section	The 3-digit, 7-segment LED display shows the servo status and alarm number.	<p>☞ Page 35 Switch setting and display of the servo amplifier</p>
(2)	Rotary switches (SW1/SW2)	Set the axis No. of the servo amplifier.	
(3)	DIP switch (SW3)	Consists of the test operation switch and control axis deactivation switch.	
(4)	Network status LEDs	Displays each network status.	
(5)	Main circuit power connector (CNP1)	Connect the input power supply.	<p>Refer to "Explanation of power supply system" in the following manual. ☞IMR-J5 User's Manual (Hardware)</p>
(6)	Control circuit power connector (CNP2)	Connect the control circuit power supply and regenerative option.	
(7)	A-axis servo motor power connector (CNP3A)	Connect the A-axis servo motor.	
(8)	B-axis servo motor power connector (CNP3B)	Connect the B-axis servo motor.	<p>—</p>
(9) ^{*1}	C-axis servo motor power connector (CNP3C)	Connect the C-axis servo motor.	
(10)	Charge light	When the main circuit is charged, this light is on. While the light is on, do not change the connections of the wires.	
(11)	Protective earth (PE) terminal	Connect this terminal to the protective earth (PE) of the cabinet.	<p>Refer to "Explanation of power supply system" in the following manual. ☞IMR-J5 User's Manual (Hardware)</p>
(12)	SSCNET III cable connector (CN1A)	Connect the controller or front axis servo amplifier.	
(13)	SSCNET III cable connector (CN1B)	Connect the rear axis servo amplifier. For the final axis, cover it with a cap.	<p>Refer to "SSCNET III cable connection" in the following manual. ☞IMR-J5 User's Manual (Hardware)</p>
(14)	USB communication connector (CN5)	Connect with a personal computer.	

No.	Name	Application	Detailed explanation
(15)	Functional safety I/O signal connector (CN8)	Connect an external safety relay to use the STO function.	Refer to "USING STO FUNCTION" and "USING FUNCTIONAL SAFETY" in the following manual. MR-J5 User's Manual (Hardware)
(16)	I/O signal connector (CN3)	Connect the digital I/O signals.	Refer to "Connectors and pin assignments" in the following manual. MR-J5 User's Manual (Hardware)
(17)	A-axis encoder connector (CN2A)	Connect the A-axis servo motor encoder or external encoder.	Page 34 External encoder connector
(18)	B-axis encoder connector (CN2B)	Connect the B-axis servo motor encoder or external encoder.	
(19) *1	C-axis encoder connector (CN2C)	Connect the C-axis servo motor encoder or external encoder.	
(20)	Battery connector (CN4)	To configure the absolute position detection system by using a direct drive motor, connect the battery for absolute position data backup.	Refer to "ABSOLUTE POSITION DETECTION SYSTEM" in the following manual. MR-J5 User's Manual (Hardware)
(21)	Rating plate	Indicates model, capacity, and other information.	Page 7 Rating plate

*1 For the MR-J5 3-axis servo amplifier

External encoder connector

The following table shows the communication method of the external encoder compatible with the MR-J5W2-_B and MR-J5W3-_B servo amplifiers.

Operation mode	External encoder communication method	Connector	
		MR-J5W2-_B	MR-J5W3-_B
Linear servo system	Two-wire type	CN2A *1 CN2B *1	CN2A *1 CN2B *1 CN2C *1
	Four-wire type	—	—
	A/B/Z-phase differential input	—	—
Fully closed loop system	Two-wire type	CN2A *2 *3 CN2B *2 *3	—
	Four-wire type	—	—
	A/B/Z-phase differential input	—	—
Scale measurement function	Two-wire type	CN2A *2 *3 CN2B *2 *3	—
	Four-wire type	—	—
	A/B/Z-phase differential input	—	—

*1 The MR-J4THCBL03M branch cable is required.

*2 The MR-J4FCCBL03M branch cable is required.

*3 If the external encoder communication method is the four-wire type, the MR-J5W2-_B cannot be used. In that case, use the MR-J5-_B -RJ.

3.2 Switch setting and display of the servo amplifier

Switching to the test operation mode and configuring network setting can be done with switches on the servo amplifier. The network communication status and alarm status can also be checked on the display (3-digit, 7-segment LED) of the servo amplifier.

Switches

If a metal screw driver contacts with the conductive areas, the switches may malfunction. Therefore, use an insulated screw driver instead of the metal screw driver to operate rotary switches (SW1/SW2) and DIP switches (SW3).

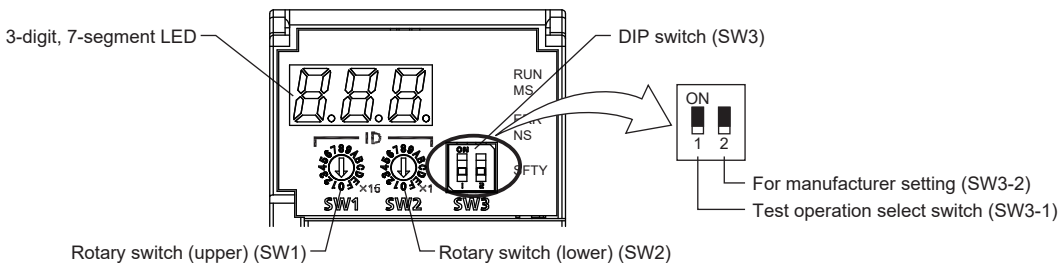
If all the DIP switches (SW3) are turned "ON (up)", the servo amplifier is switched to the operation mode for manufacturer setting and "off" will be displayed. The servo amplifier cannot be used in this mode. Thus, set the DIP switches (SW3) correctly according to this section.

To apply the settings of all switches, cycle the control circuit power supply or reset the software.

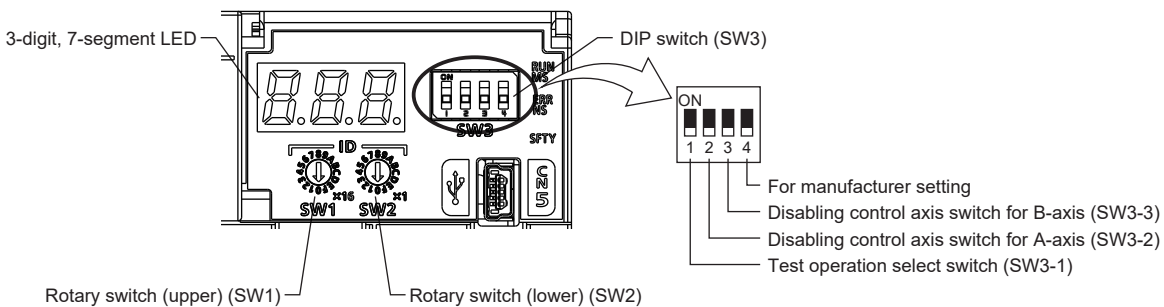
The following explains the rotary switches (SW1/SW2) and DIP switches (SW3).

Switch identification

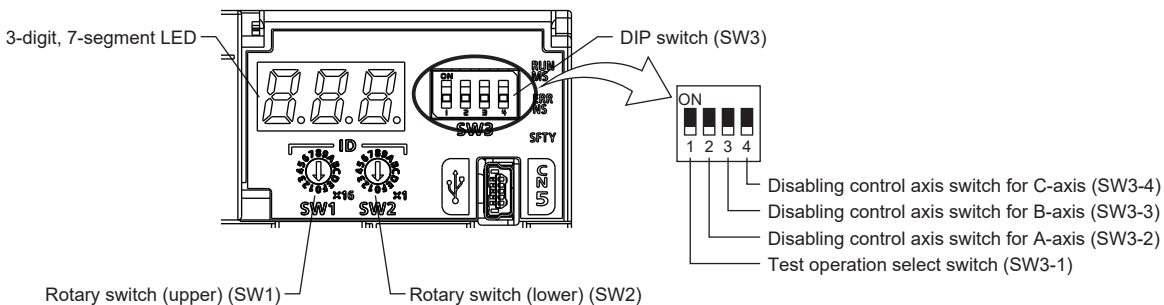
■1-axis servo amplifier



■2-axis servo amplifier



■3-axis servo amplifier



Test operation select switch (SW3-1)



When the test operation mode is selected with the test operation select switch (SW3-1), the SSCNET III/H communication for the servo amplifier and later shuts off.

Turning "ON (up)" the test operation select switch enables the test operation mode. In the test operation mode, functions such as JOG operation, positioning operation, and machine analyzer are available using MR Configurator2.

☞ Page 54 Test operation

Disabling control axis switches (SW3-2, SW3-3, and SW3-4)

Turning "ON (up)" the disabling control axis switch disables the corresponding servo motor. The servo motor will become in the disabled-axis state and will not be recognized by the controller.

Disable the switches in order from the rear axis. Disabling the front axis only will trigger [AL. 011 Switch setting error]. The following table shows an example of setting a 2-axis servo amplifier.

Disabling control axis switches of A-axis (SW3-2)	Disabling control axis switches of B-axis (SW3-3)	A-axis	B-axis
OFF	OFF	Enabled	Enabled
OFF	ON	Enabled	Disabled
ON	OFF	[AL. 011 Switch setting error] will occur.	
ON	ON		

Rotary switches (SW1/SW2)

Set the same controller axis No. for the rotary switches (SW1/SW2) and the controller. The number of axes that can be set depends on the controller.

With the rotary switch (SW1/SW2) settings, the servo control axis No. can be set from 1 to 64. Setting the control axis No. to 65 or greater will trigger [AL. 011 Switch setting error].

■1-axis servo amplifier

Rotary switch settings		Control axis No.
SW1	SW2	
0	0	1-axis
0	1	2-axis
0	2	3-axis
0	3	4-axis
0	4	5-axis
0	5	6-axis
0	6	7-axis
0	7	8-axis
0	8	9-axis
0	9	10-axis
0	A	11-axis
0	B	12-axis
0	C	13-axis
0	D	14-axis
0	E	15-axis
0	F	16-axis
1	0	17-axis
1	1	18-axis
1	2	19-axis
1	3	20-axis
1	4	21-axis
1	5	22-axis

Rotary switch settings		Control axis No.
SW1	SW2	
1	6	23-axis
1	7	24-axis
1	8	25-axis
1	9	26-axis
1	A	27-axis
1	B	28-axis
1	C	29-axis
1	D	30-axis
1	E	31-axis
1	F	32-axis
2	0	33-axis
2	1	34-axis
2	2	35-axis
2	3	36-axis
2	4	37-axis
2	5	38-axis
2	6	39-axis
2	7	40-axis
2	8	41-axis
2	9	42-axis
2	A	43-axis
2	B	44-axis
2	C	45-axis
2	D	46-axis
2	E	47-axis
2	F	48-axis
3	0	49-axis
3	1	50-axis
3	2	51-axis
3	3	52-axis
3	4	53-axis
3	5	54-axis
3	6	55-axis
3	7	56-axis
3	8	57-axis
3	9	58-axis
3	A	59-axis
3	B	60-axis
3	C	61-axis
3	D	62-axis
3	E	63-axis
3	F	64-axis
4 to F	0 to F	[AL. 011 Switch setting error] will occur.

■ For multi-axis servo amplifiers

Rotary switch settings		Control axis No.		
SW1	SW2	A-axis	B-axis	C-axis *1
0	0	1-axis	2-axis	3-axis
0	1	2-axis	3-axis	4-axis
0	2	3-axis	4-axis	5-axis
0	3	4-axis	5-axis	6-axis
0	4	5-axis	6-axis	7-axis
0	5	6-axis	7-axis	8-axis
0	6	7-axis	8-axis	9-axis
0	7	8-axis	9-axis	10-axis
0	8	9-axis	10-axis	11-axis
0	9	10-axis	11-axis	12-axis
0	A	11-axis	12-axis	13-axis
0	B	12-axis	13-axis	14-axis
0	C	13-axis	14-axis	15-axis
0	D	14-axis	15-axis	16-axis
0	E	15-axis	16-axis	17-axis
0	F	16-axis	17-axis	18-axis
1	0	17-axis	18-axis	19-axis
1	1	18-axis	19-axis	20-axis
1	2	19-axis	20-axis	21-axis
1	3	20-axis	21-axis	22-axis
1	4	21-axis	22-axis	23-axis
1	5	22-axis	23-axis	24-axis
1	6	23-axis	24-axis	25-axis
1	7	24-axis	25-axis	26-axis
1	8	25-axis	26-axis	27-axis
1	9	26-axis	27-axis	28-axis
1	A	27-axis	28-axis	29-axis
1	B	28-axis	29-axis	30-axis
1	C	29-axis	30-axis	31-axis
1	D	30-axis	31-axis	32-axis
1	E	31-axis	32-axis	33-axis
1	F	32-axis	33-axis	34-axis
2	0	33-axis	34-axis	35-axis
2	1	34-axis	35-axis	36-axis
2	2	35-axis	36-axis	37-axis
2	3	36-axis	37-axis	38-axis
2	4	37-axis	38-axis	39-axis
2	5	38-axis	39-axis	40-axis
2	6	39-axis	40-axis	41-axis
2	7	40-axis	41-axis	42-axis
2	8	41-axis	42-axis	43-axis
2	9	42-axis	43-axis	44-axis
2	A	43-axis	44-axis	45-axis
2	B	44-axis	45-axis	46-axis
2	C	45-axis	46-axis	47-axis
2	D	46-axis	47-axis	48-axis
2	E	47-axis	48-axis	49-axis
2	F	48-axis	49-axis	50-axis
3	0	49-axis	50-axis	51-axis
3	1	50-axis	51-axis	52-axis

Rotary switch settings		Control axis No.		
SW1	SW2	A-axis	B-axis	C-axis ^{*1}
3	2	51-axis	52-axis	53-axis
3	3	52-axis	53-axis	54-axis
3	4	53-axis	54-axis	55-axis
3	5	54-axis	55-axis	56-axis
3	6	55-axis	56-axis	57-axis
3	7	56-axis	57-axis	58-axis
3	8	57-axis	58-axis	59-axis
3	9	58-axis	59-axis	60-axis
3	A	59-axis	60-axis	61-axis
3	B	60-axis	61-axis	62-axis
3	C	61-axis	62-axis	63-axis
3	D	62-axis	63-axis	64-axis
3	E	63-axis ^{*2}	64-axis ^{*2}	—
3	F	64-axis ^{*3}	—	—
4 to F	0 to F	[AL. 011 Switch setting error] will occur.		

*1 For the MR-J5 3-axis servo amplifier

*2 For a 3-axis servo amplifier, this control axis No. can be used by setting the C-axis as a disabled axis. If the C-axis is not set as a disabled axis, [AL. 011 Switch setting error] will occur.

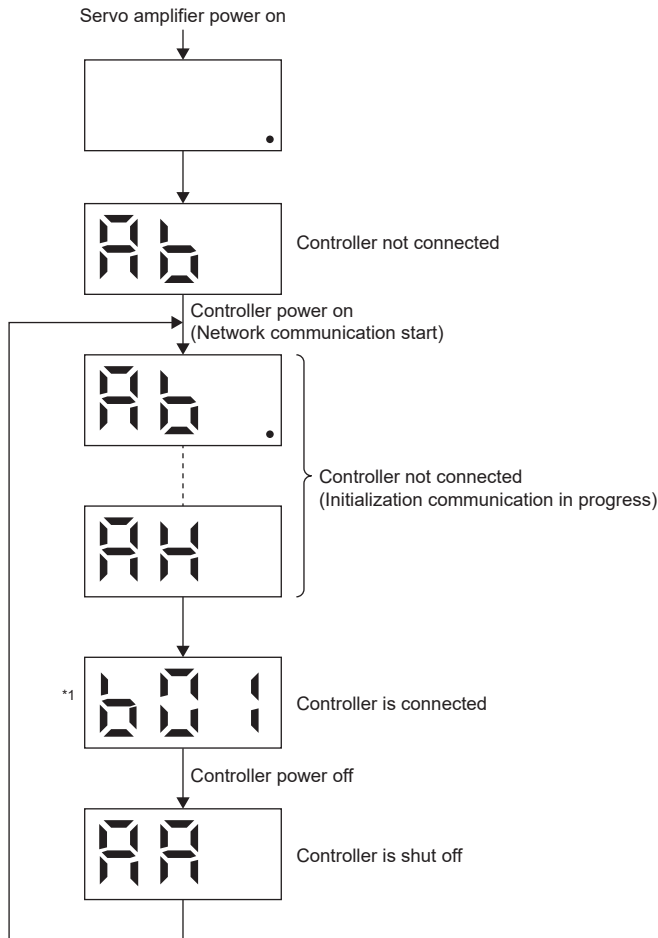
*3 For a 2-axis servo amplifier, this control axis No. can be used by setting the B-axis as a disabled axis. If the B-axis is not set as a disabled axis, [AL. 011 Switch setting error] will occur. For a 3-axis servo amplifier, this control axis No. can be used by setting the B-axis and the C-axis as disabled axes. If the B-axis and C-axis are not set as disabled axes, [AL. 011 Switch setting error] will occur.

7-segment LED

The network connection status, servo status, and alarm/warning occurrence statuses can be checked on the 7-segment LED display.

Display sequence

The following shows the display sequence of the 7-segment LED display after power-on. Once a system check is complete and the servo amplifier is started, the network connection status will be displayed.

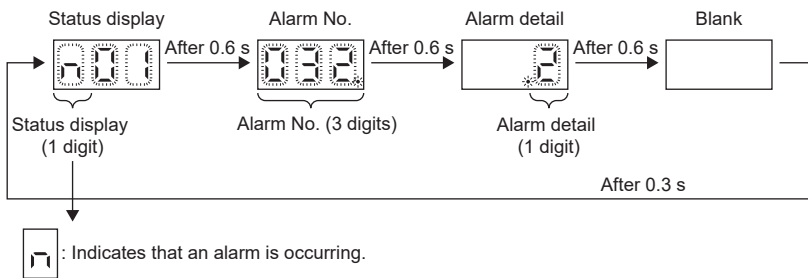


*1 The last two digits indicate the axis No. set with the rotary switches.

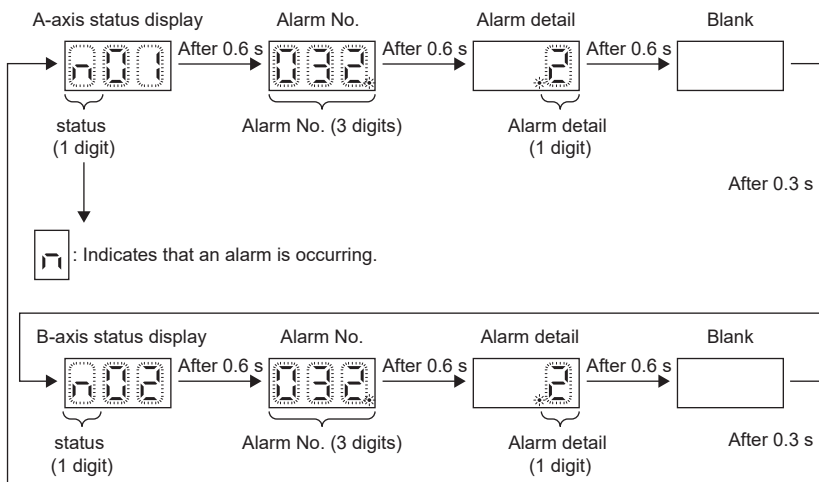
Alarm display

When an alarm/warning occurs, the alarm status is displayed. This is an example of the alarm display for when [AL. 032.2 Overcurrent] is occurring.

■1-axis servo amplifier



■For multi-axis servo amplifiers



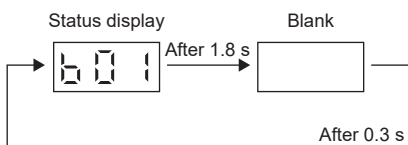
When a 3-axis servo amplifier is used, the alarm occurrence status in the B-axis is indicated before the alarm occurrence in the C-axis.

When the network is connected

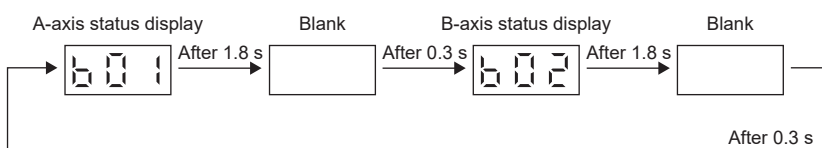
The network connection status is displayed as follows. The status of all axes is displayed with scrolling display. The last two digits display the axis No. in decimal.

Ready-off	Servo-on (ready-on)	Servo-on

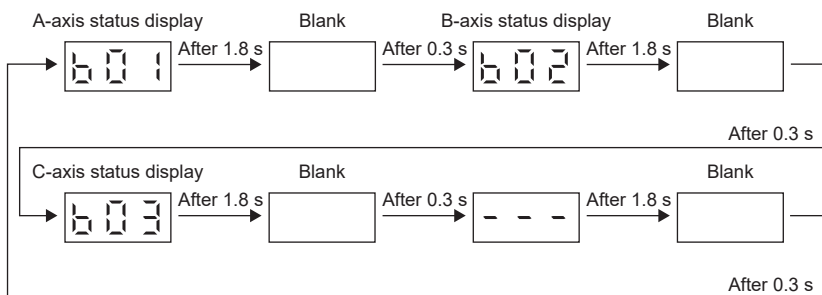
■1-axis servo amplifier



■2-axis servo amplifier











■3-axis servo amplifier

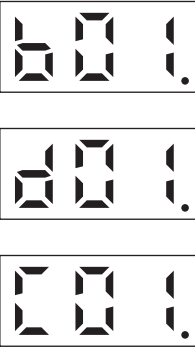




When the network is not connected

The 7-segment LED display during initialization is as follows.

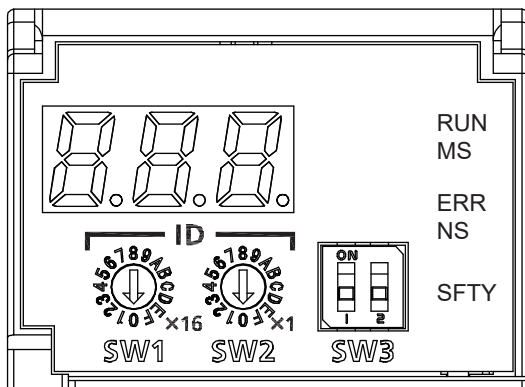
Display	Status	Description
	Initializing	<ul style="list-style-type: none"> The power of the servo amplifier was switched on when the power of the controller was off. The axis No. set by the rotary switches (SW1/SW2) of the servo amplifier and the axis No. set by the controller do not match. A servo amplifier malfunction or an error during communication with the controller or the front axis servo amplifier occurred. In this case, the indication changes as follows: "Ab" → "AC" → "Ad" → "Ab" The controller has malfunctioned.
	Initializing	Initial setting of the communication specifications is in progress.
	Initializing	Initial setting of the communication specifications has been completed and synchronization with the controller has been performed.
	Initializing	Initial parameter setting communication with the controller is in progress.
	Initializing	Servo motor and encoder information communication with the controller is in progress.
	Initializing	Initial signal data communication with the controller is in progress.
	Initializing	Initial data communication with the controller has been completed.
	Initialization standby	The power supply of the controller was turned off while the power supply of the servo amplifier was on.

Other status displays

Display	Status	Description
	Test operation mode	Test operation mode, output signal (DO) forced output, or motor-less operation was set. The last two digits display the axis No. in decimal.
	CPU error	Indicates that a CPU watchdog error has occurred.
	Initialization in progress	Indicates that initialization of settings such as parameters is in progress.

Status LEDs

The LED states (RUN MS/ERR NS) indicate the network status of the servo amplifier.



LED	Description
RUN MS (green)	Off: Indicates that an alarm is occurring. On: Indicates that the servo amplifier is on.
ERR NS (red)	Off: Indicates that no alarm or warning is occurring. Blinking: Indicates that a warning is occurring. On: Indicates that an alarm is occurring.
SFTY (green)	Off: Indicates that the functional safety cannot be activated. On: Indicates that the functional safety can be activated.

4 STARTUP

Point

- MR-J5_ _B_ servo amplifiers can be set with MR Configurator2 with software version 1.130L or later.
- This chapter explains how to start up the servo amplifier by using MR Configurator2 with software version 1.100E.
- Before starting operation, check each servo parameter. Depending on the machine, an unexpected operation may occur.

When using a linear servo motor, the terms below have the following meanings.

- Load to motor inertia ratio → Load to motor mass ratio
- Torque → Thrust

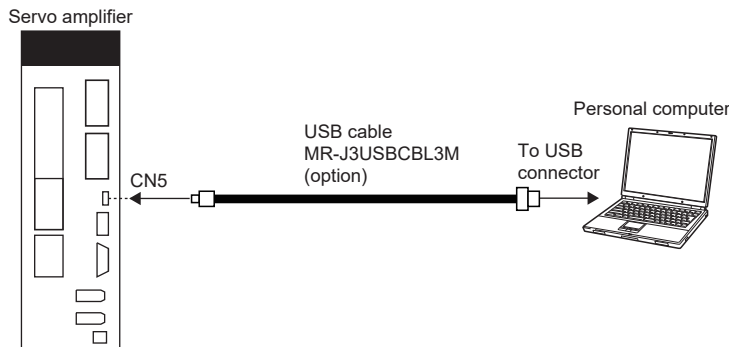
Servo parameter setting method

Point

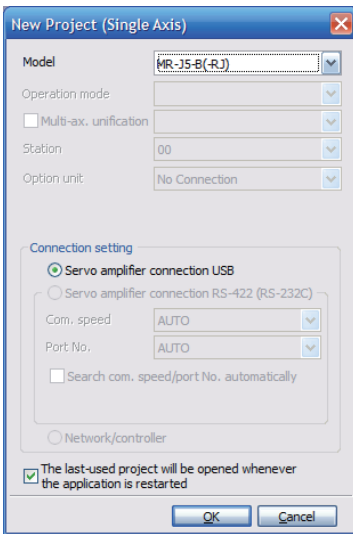
- Servo parameters may be changed by the controller via a network. In this case, take measures such as not turning on the controller or not connecting the network cable to the controller, so that the servo parameter setting does not change.
- The USB communication may be disconnected by operations such as servo parameter settings and drive recorder readout, depending on the load on the servo amplifier. If this is the case, remove the USB cable, then connect it again.

MR Configurator2 is the software used for purposes such as servo parameter settings, graph measurement/display, and test operation. This chapter describes the startup procedure of the servo amplifier when the servo amplifier is connected to a personal computer which has MR Configurator2 installed. To learn more about using MR Configurator2, refer to Help in MR Configurator2.

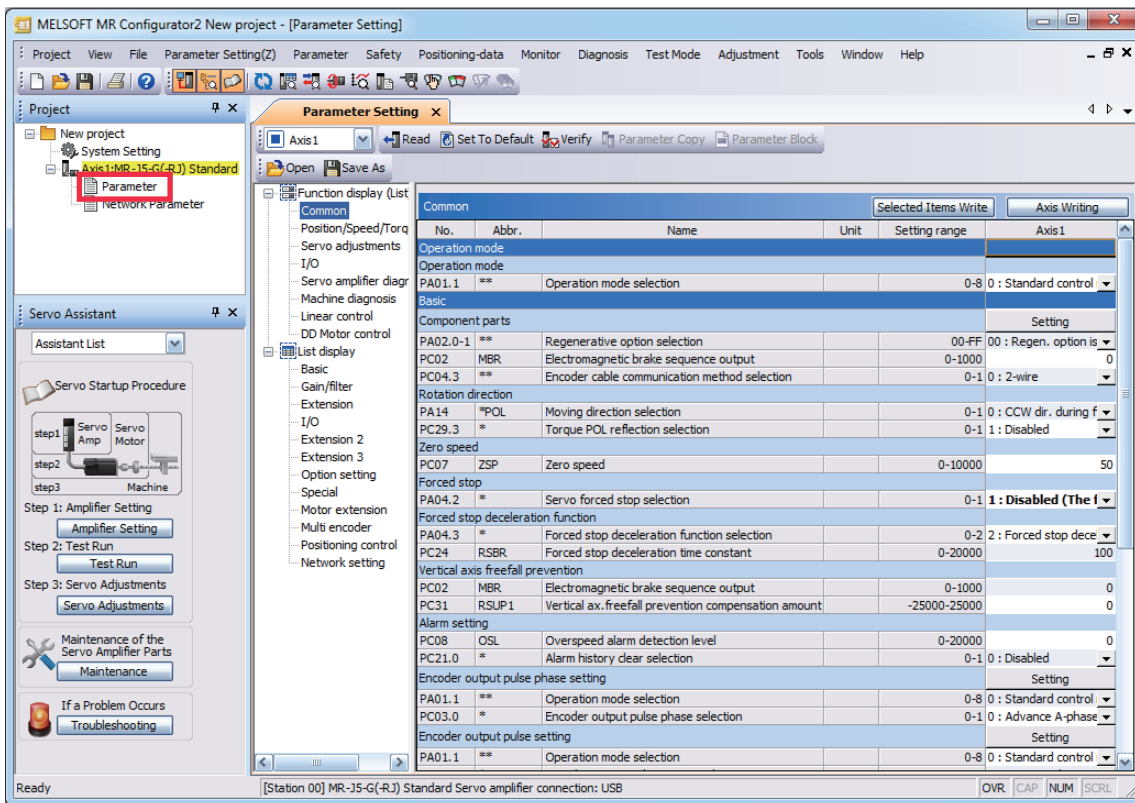
1. Connect the servo amplifier and the personal computer with a USB cable. Turn on the servo amplifier control circuit power supply.



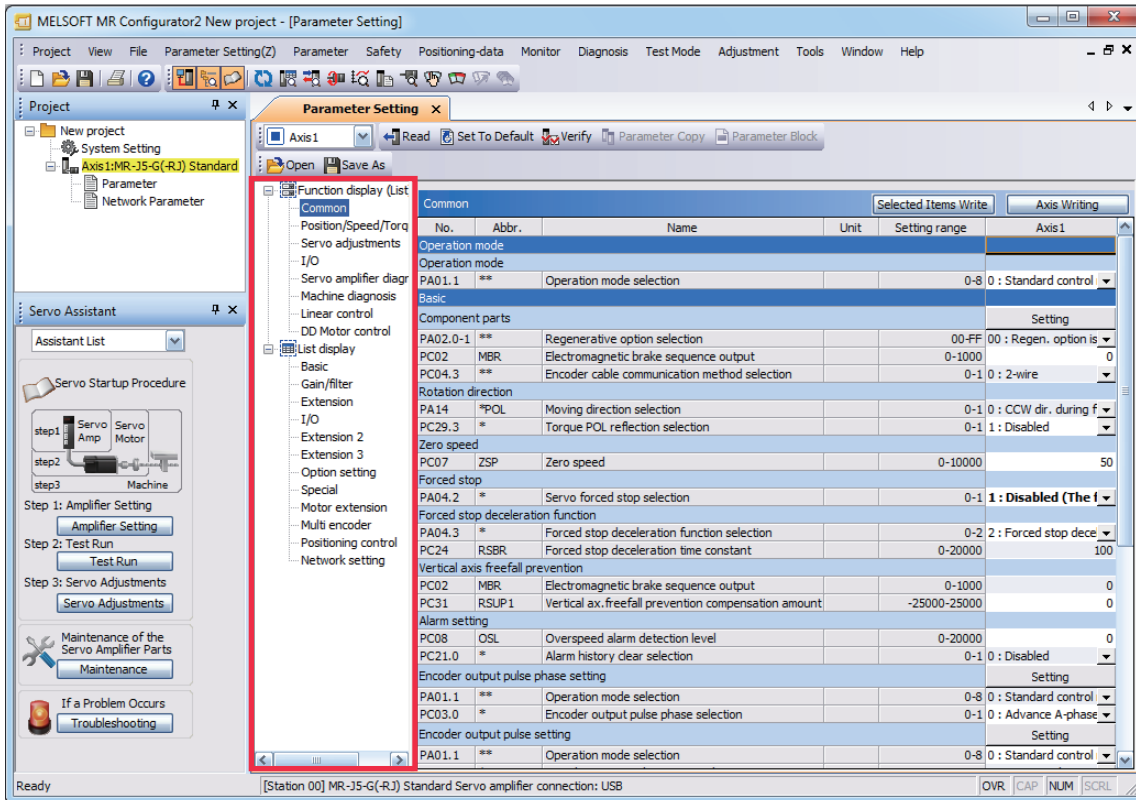
- Start MR Configurator2 and create a new project. For the connection setting, select USB. Select the servo amplifier model.



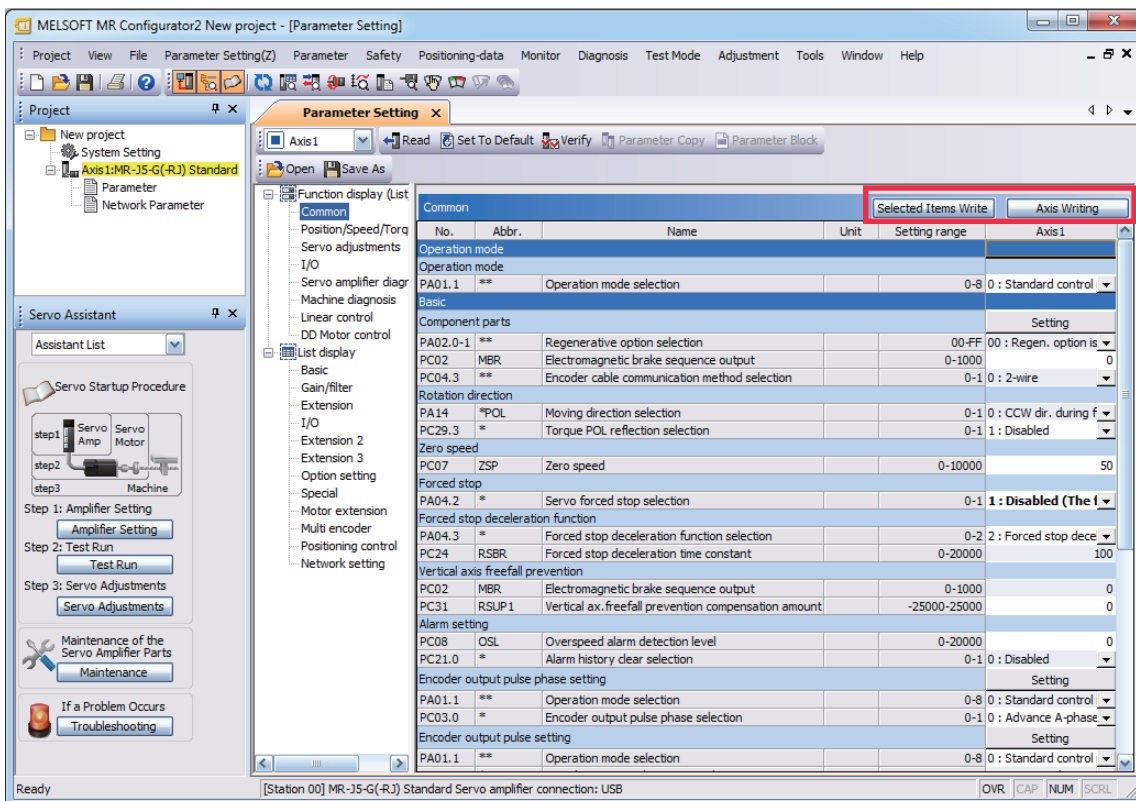
- Selecting "Parameter" from the project tree opens the "Parameter Setting" screen.



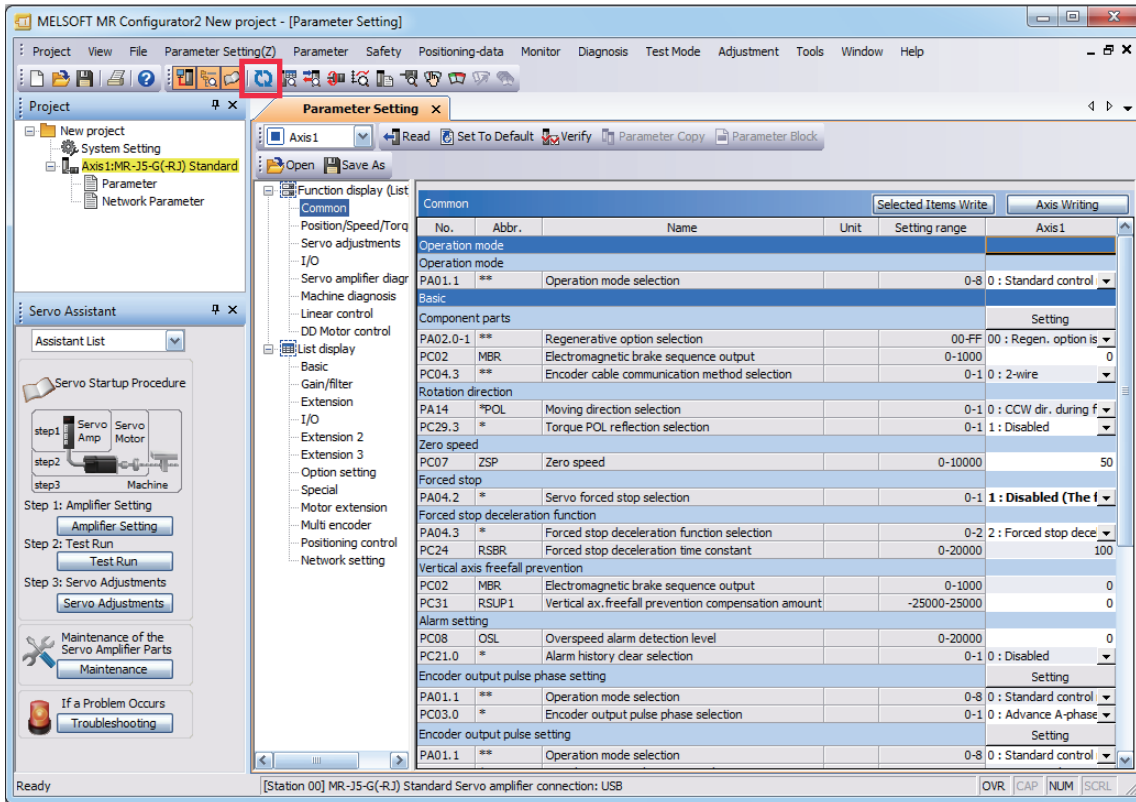
- Select a group of servo parameters in the selection tree of the "Parameter Setting" window to display and configure the settings.



- After changing the servo parameter, click "Selected Items Write" or "Axis Writing".



6. Abbreviated servo parameters prefixed with * and servo parameters marked with ** are enabled after the power is cycled or a software reset is performed. Click "Software Reset" in MR Configurator2 to perform the software reset.



4.1 Turning on servo amplifier for the first time

Point

- For the controller settings, refer to the relevant controller manual.
- For the gain adjustment, refer to the following manual.

📖 MR-J5 User's Manual (Adjustment)

When turning on the servo amplifier for the first time, follow the steps below.

Procedure	Description	Reference
1. Installation and wiring	Install and wire the servo amplifier and servo motor.	📖 MR-J5 User's Manual (Hardware)
2. Test operation of the servo motor alone in test operation mode	With the servo motor disconnected from the machine, operate the servo motor at the lowest speed possible, and check whether the servo motor operates correctly.	📖 Page 50 Test operation of the servo motor alone in test operation mode
3. Equipment configuration setting	Set each servo parameter according to the equipment configuration.	📖 Page 51 Equipment configuration setting
4. Controller-related setting	Perform necessary settings according to commands from the controller.	📖 Page 51 Controller-related setting
5. Operation by controller command	Operate the servo motor at the lowest speed possible by giving commands to the servo amplifier from the controller, and check whether the servo motor operates correctly.	📖 Page 52 Operation by controller command
6. Actual operation	—	—

Test operation of the servo motor alone in test operation mode

Point

- If the servo motor operates in an unintended manner, stop the servo motor with EM2 (Forced stop 2).

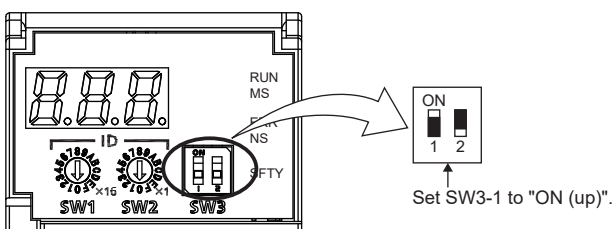
Check that the servo amplifier and servo motor operate normally. With the servo motor disconnected from the machine, use the test operation mode and check whether the servo motor operates correctly. This section describes how to check the servo motor operation in the JOG operation. The test operation also includes the positioning operation and program operation.

☞ Page 54 Test operation

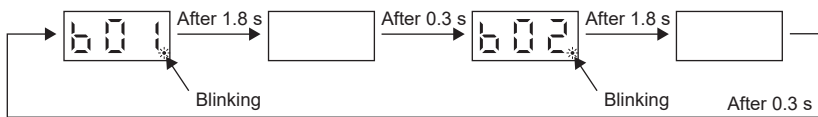
In the linear servo motor control mode, the JOG operation cannot be performed. Check the linear servo motor operation status by using the positioning operation or by other means.

☞ Page 56 Motor driving by test operation

1. Turn off the power.
2. Turn "ON (up)" the test operation select switch (SW3-1).

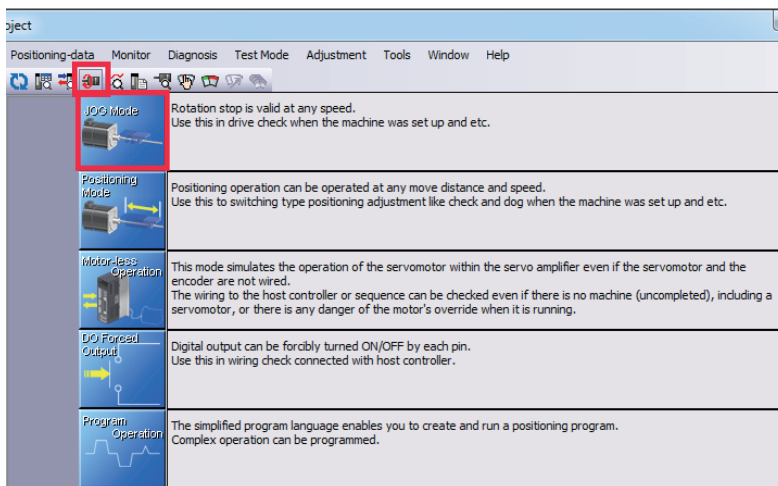


3. Turn on the power supply of the servo amplifier. When initialization is completed, the decimal point of the right-most digit of the display blinks as follows.

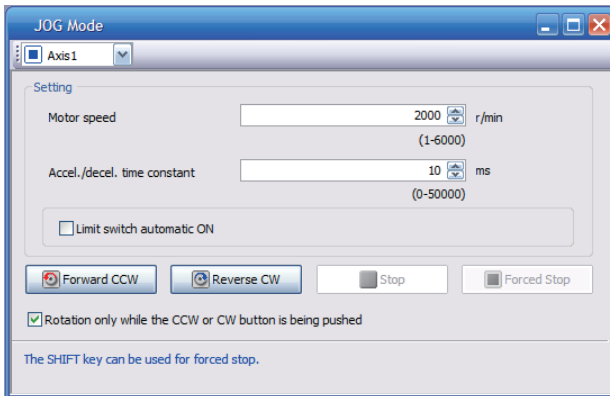


The display of a 2-axis servo amplifier is shown as an example.

4. Open the "JOG Mode" screen of MR Configurator2.



5. To operate the servo motor, input the motor speed and acceleration/deceleration time constants, then click "Forward CCW" or "Reverse CW". The servo motor operates only while the button is being clicked. Give a low speed command at first and check the operation status.



6. After the test operation is complete, turn off the power and "OFF (down)" the test operation select switch (SW3-1).

Equipment configuration setting

Set the servo parameters for each function according to the equipment configuration. For details, refer to the following manual.

📖 MR-J5 User's Manual (Function)

Item	Description
Rotation/travel direction selection	To change the rotation/travel direction (POL), change the servo parameter.
Stroke limit function	Limit switches can be used to limit travel intervals of the servo motor. Configure the settings according to the connection method of the limit switch.
In-position setting	Positioning completion status can be checked with in-position. Set this as necessary.
Forced stop deceleration function	Stops the servo motor at EM2 (Forced stop 2) off. Perform settings such as the deceleration time constant.
Vertical axis freefall prevention function	For vertical axes, this function pulls up the shaft slightly. When using a servo motor with an electromagnetic brake for a vertical axis, perform settings as required.

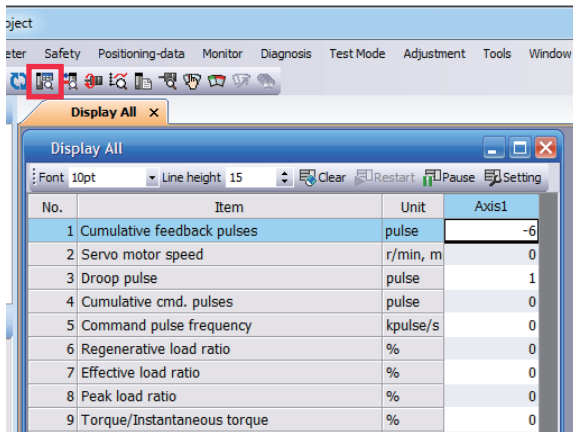
Controller-related setting

Configure the network settings according to the controller to be connected. For details, refer to each controller manual.

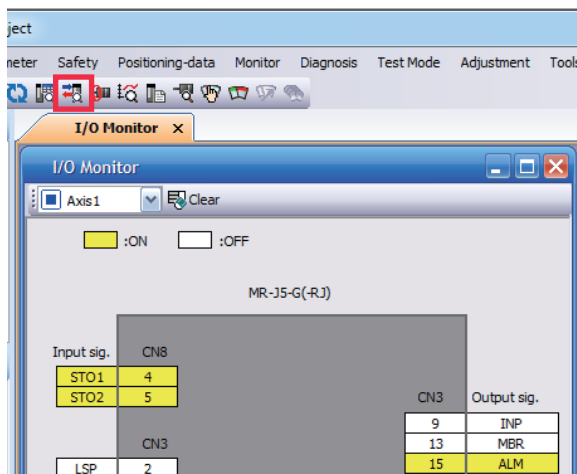
Operation by controller command

Confirm that the servo motor operates correctly under the commands from the controller. Give a low speed command at first to check the servo motor operations such as the rotation direction. If the servo motor does not operate in the intended direction, check the input signal.

1. Display the Display All window in MR Configurator2. Confirm that there is no error in the items such as servo motor speed and load ratio.



2. Display the I/O Monitor window. Confirm that there is no error in the I/O signal.




4.2 Instructions on startup

Instructions for power-on

- When the absolute position detection system is used in a rotary servo motor, [AL. 025 Absolute position erased] occurs the first time that the power is turned on and the servo motor cannot be changed to servo-on status. Shut off the power once, then cycle the power to deactivate the alarm.
- If the power is turned on while the servo motor is being rotated by an external force, an alarm may occur. Make sure that the servo motor is not operating before turning on the power. In addition, refer to the manual for the servo motor or encoder being used.

Stop

If any of the following situations occur, the servo amplifier suspends and stops the operation of the servo motor. If the servo motor is operated by the network command, the servo motor may be stopped by the controller command.

Item	Operation/command	Stopping condition
Controller	Servo-off command	The base circuit is shut off, and the servo motor coasts.
	Ready-off command	The base circuit is shut off and the dynamic brake operates to stop the servo motor.
	Emergency stop command	The servo motor decelerates to a stop. [AL. 0E7 Controller forced stop warning] occurs.
Servo amplifier	Alarm occurrence	The servo motor decelerates to a stop. There are also alarms that activate and stop the dynamic brake. For details of alarms, refer to the following manual.  MR-J5 User's Manual (Troubleshooting)
	EM2 (Forced stop 2) off	The servo motor decelerates to a stop. [AL. 0E6 Servo forced stop warning] occurs. In the torque mode, EM2 functions the same as EM1.
	STO (STO1 and STO2) off	The base circuit is shut off and the dynamic brake operates to stop the servo motor.
Controller or servo amplifier	Limit switch off	If FLS (Upper stroke limit) or RLS (Lower stroke limit) is turned off, the servo motor will decelerate according to the deceleration time set in the controller and enter the servo-lock state. Operation in the opposite direction is possible.

Instructions for network disconnection

If the power supply of the servo amplifier is turned off or the optical fiber cable is disconnected, communication within the system may be shut off regardless of the connection sequence. To turn the power supply of the servo amplifier on and off during operation, use the connect/disconnect function of the controller. For details, refer to each controller manual.

4.3 Troubleshooting at startup

Investigation by using MR Configurator2.

The reason that the servo motor does not rotate can be investigated via MR Configurator2.


The cause that the servo motor fails to rotate is acquired from the servo amplifier of the target axis, and displayed on "No Motor Rotation". The window will remain blank when no cause exists. "- - -" is displayed when off-line or the cause cannot be acquired.

4.4 Duplicate setting

Servo amplifier parameters for which setting has been completed can be copied to another servo amplifier. Use this function when replacing the servo amplifier of equipment with another servo amplifier during operation, and when starting up multiple devices with the same configuration.

Restrictions

■The following data is not duplicated. Set them as required after the duplication.

Item	Description
Machine service life diagnosis	Machine service life diagnosis information may not be duplicated. Refer to "Machine diagnosis" in the following manual, and perform required settings.  MR-J5 User's Manual (Function)

■The following data is not duplicated.

- Alarm history data
- Drive recorder data

Duplication using MR Configurator2

1. The data set in MR Configurator2 can be saved as a project.
2. To copy the project to a different servo amplifier, open the project and then connect the servo amplifier and a personal computer via a USB cable. Turn on the servo amplifier control circuit power supply.
3. Write the required data in MR Configurator2. After the writing is completed, cycle the power or reset the software as necessary.

4.5 Test operation

Using the test operation function enables the machine operation to be checked before the actual operation. With a personal computer and MR Configurator2, operations such as the JOG operation, positioning operation, output signal forced output, and program operation can be performed.

Precautions

- The test operation mode is designed for checking servo operation. This mode is not for checking machine operation. Do not use this mode with the machine. Use this mode only with the servo motor.

Execution method

Test operation mode is enabled by MR Configurator2. To set to the normal operation mode again after executing the test operation mode, cycle the power or reset the software.

- Perform the test operation after the forced stop has been released. For details of the forced stop, refer to "Forced stop deceleration function" in the following manual.

 MR-J5 User's Manual (Function)

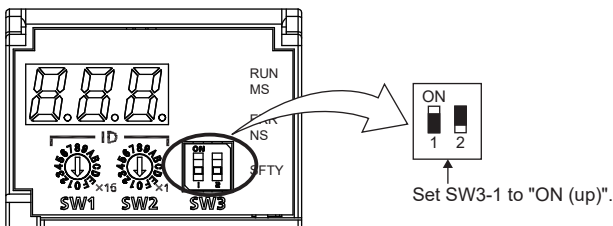
Test operation mode

Point

- For a multi-axis servo amplifier, all axes are switched to the test operation mode simultaneously. However, the test operation can actually be executed on only one of the A, B, or C-axis.
- When the test operation mode is selected with the test operation select switch (SW3-1), the SSCNET III/H communication for the servo amplifier and later shuts off.

Setting the servo amplifier to the test operation mode enables the test operation while the personal computer and servo amplifier are connected via a USB cable.

1. Turn off the power.
2. Turn "ON (up)" the test operation select switch (SW3-1).

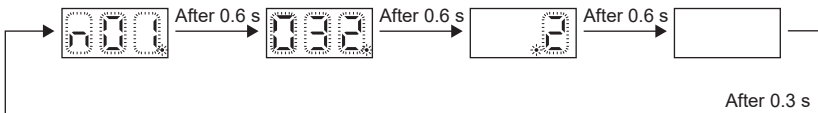


3. Turn on the power supply of the servo amplifier. When initialization is completed, the decimal point of the right-most digit of the display blinks as follows.

The display of a 2-axis servo amplifier is shown as an example.



If an alarm or warning occurs during the test operation, the decimal point of the right-most digit on the display blinks as follows.



4. Use MR Configurator2 to perform the test operation.

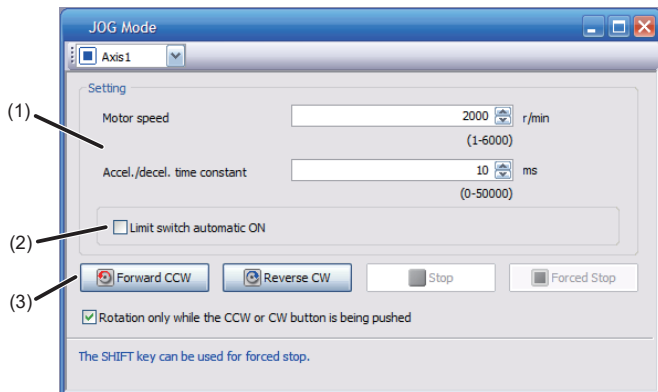
☞ Page 56 Motor driving by test operation

5. After the test operation is complete, turn off the power and "OFF (down)" the test operation select switch (SW3-1).

Motor driving by test operation

JOG operation

The JOG operation can be performed when there is no command from the controller. The motor can be operated at the specified speed. Operate the motor using the JOG Mode screen of MR Configurator2.



■Motor operation setting (1)

Set the motor speed and acceleration/deceleration time constants for JOG operation. When changing the speed to the permissible speed, set the speed in [Pr. PA28.4 Speed range limit selection].

■Limit switch automatic ON (2)

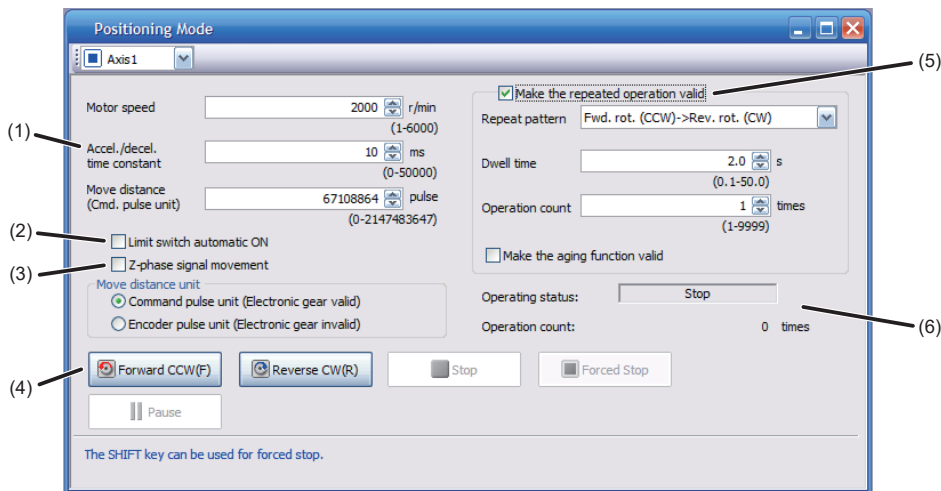
JOG operation can be performed when the limit switch is not connected. Be sure to avoid causing a collision while performing the operation.

■Operation (3)

The servo motor can be started (CCW/CW), paused, stopped, or forcibly stopped. Clicking "Start" starts the operation. When "Rotation only while the CCW or CW button is being pushed" is selected, clicking "Forward CCW" or "Reverse CW" will perform operation until "Stop" or "Forced Stop" is clicked.

Positioning operation

Positioning operation can be performed without the controller. Operate the motor using the Positioning Mode screen of MR Configurator2.



■Motor operation setting (1)

Set the motor speed, acceleration/deceleration time constants, and travel distance in the positioning operation mode. When changing the speed to the permissible speed, set the speed in [Pr. PA28.4 Speed range limit selection].

■Limit switch (2)

Select "Limit switch automatic ON" to perform the positioning operation when the limit switch is not connected. Be sure to avoid causing a collision while performing the operation.

■Move until Z-phase signal (3)

When "Z-phase signal movement" is selected, the servo motor moves until the first Z-phase signal after positioning operation.

■Operation (4)

The servo motor can be started (CCW/CW), paused, stopped, or forcibly stopped. Clicking "Operation Start" starts the operation in the specified operation condition.

■Repeat operation (5)

Selecting "Make the repeated operation valid" enables the repeat operation. Selecting "Make the aging function valid" enables the continuous operation until clicking "Stop" or "Forced Stop". Set the repeat pattern, the dwell time, and the number of operations.

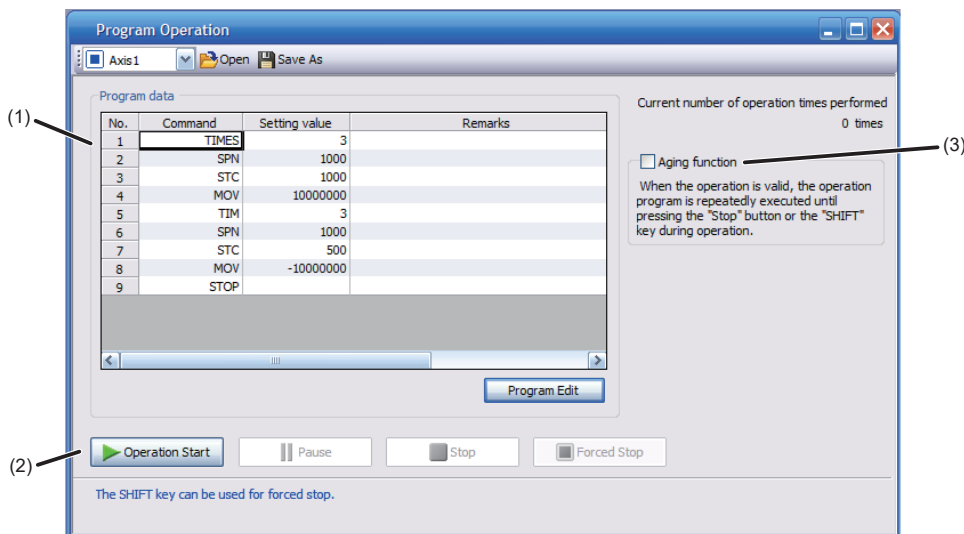
■Operation status (6)

The operation status during the repeat operation and the number of operations are displayed.

Program operation

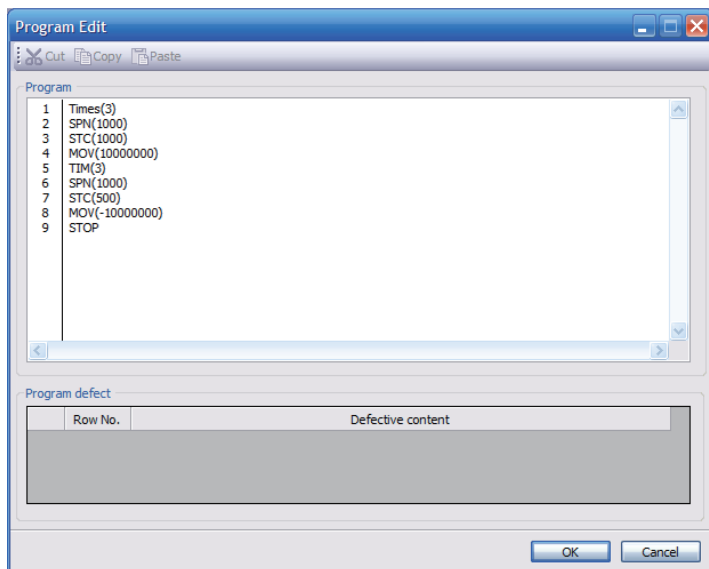
Positioning operation using multiple operation patterns can be performed without a controller. Operate the motor using the Program Operation screen of MR Configurator2. For details, refer to Help of MR Configurator2.

1. Open the Program Operation screen of MR Configurator2.



No.	Item	Screen operation
(1)	Program display	Displays the program. To edit the display item, click "Program Edit".
(2)	Operation	The servo motor can be started (CCW/CW), paused, stopped, or forcibly stopped. Clicking "Operation Start" starts the operation.
(3)	Repeat execution	Displays the number of execution times. Selecting "Aging function" enables the repeated operation of the operation program.

2. Clicking "Program Edit" in the program operation screen opens the Program Edit screen. Input the program and click "OK". For program commands, refer to Help of MR Configurator2.



Motor-less operation

Point

- The motor-less operation cannot be used in the fully closed loop control mode, linear servo motor control mode or direct drive motor control mode.

Without connecting a servo motor to the servo amplifier, output signals or status displays can be provided in response to the controller commands as if the servo motor is actually running. This operation can be used to check the sequence of a controller. Use this operation after the forced stop has been released. Use this operation with the servo amplifier connected to the controller.

To perform the motor-less operation, set [Pr. PC05.0 Motor-less operation selection] to "1" (enabled). To terminate the motor-less operation, set [Pr. PC05.0] to "0" (disabled). Configure the settings from the servo parameter settings of the controller. To apply the motor-less operation settings, cycle the power or reset the software.

Load conditions

The operation is performed in the following conditions. Note that the conditions may differ from those of actual machines.

Load item	Condition
Load torque	0
Load to motor inertia ratio	[Pr. PB06 Load to motor inertia ratio/load to motor mass ratio]

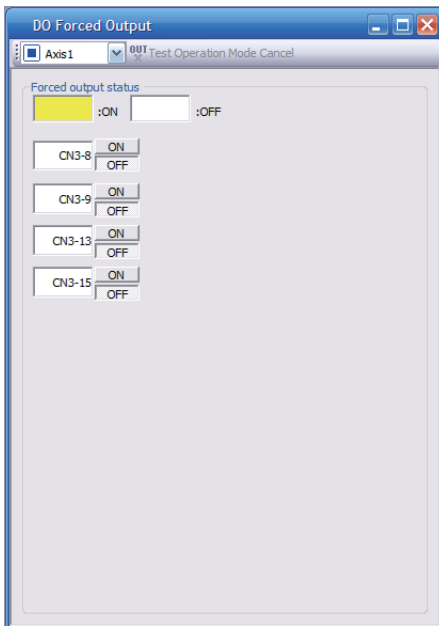
Alarm

In the motor-less operation, some alarms and warnings are not generated. The following are examples of alarms which do not occur.

- [AL. 016 Encoder initial communication error 1]
- [AL. 01E Encoder initial communication error 2]
- [AL. 01F Encoder initial communication error 3]
- [AL. 020 Encoder normal communication error 1]
- [AL. 021 Encoder normal communication error 2]
- [AL. 025 Absolute position erased]
- [AL. 092 Battery cable disconnection warning]
- [AL. 09F Battery warning]

Output signal (DO) forced output

This function forcibly switches the output signals on and off regardless of the servo status. Use this function for purposes such as checking output signal wiring. Operate this function on the DO Forced Output screen of MR Configurator2.



Each output signal can be turned on/off by clicking the ON/OFF button next to its name. After checking, click "Test Operation Mode Cancel" and terminate the output signal (DO) forced output.

4.6 Servo amplifier setting initialization

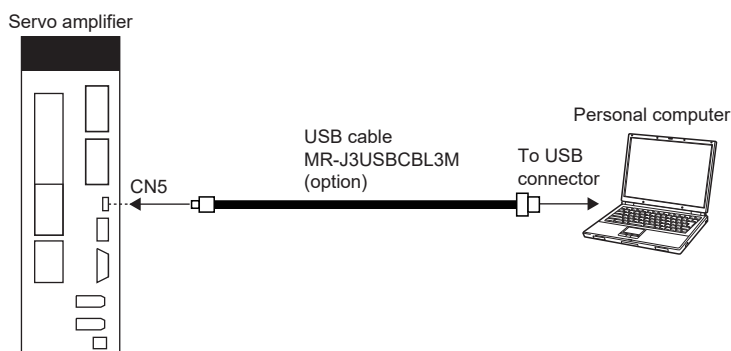
Servo amplifier settings can be initialized by using the engineering tool (MR Mode Change packed with MR Configurator2). However, information related to the servo amplifier, including power-on cumulative time and the number of relays on/off, is not initialized.

Point

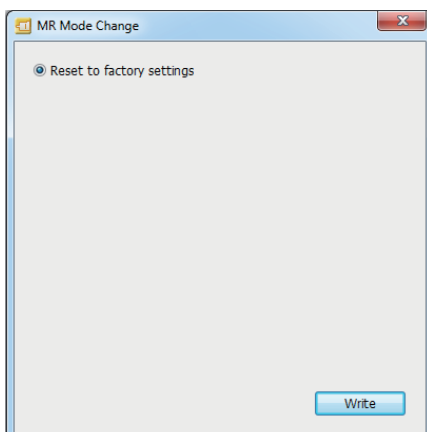
- The storage area of the servo amplifier has a limit for the number of writings. Do not use this function frequently.
- Execute the initialization with the servo amplifier disconnected from the network and directly connected to MR Mode Change via a USB cable.

Initialization procedure by MR Mode Change

Open MR Mode Change and use a USB cable to connect the servo amplifier that will be initialized with a personal computer. Turn on the servo amplifier control circuit power supply.



Confirm that "Reset to factory settings" is selected, then click "Write". After the writing is completed, cycle the power or reset the software.



Cycling the power or resetting the software initializes the setting of the servo amplifier at startup. Confirm that the initialization has completed by reading the settings from the servo amplifier.

5 MAINTENANCE, INSPECTION AND PARTS REPLACEMENT

5.1 Inspection items

Precautions

- Do not disassemble, repair, or modify the product.
- For repair and parts replacement, contact your local sales office.
- To prevent a malfunction, do not perform an insulation resistance test (megger test) on the servo amplifier.

Periodic inspection

Perform the following inspections.

- Check for loose terminal block screws. Retighten any loose screws.
- Check the cables and the like for scratches or cracks. Inspect them periodically according to operating conditions especially when the servo motor is movable.
- Check that the connector is securely connected to the servo amplifier.
- Check that the wires are not coming out from the connector.
- Check for dust accumulation on the servo amplifier.
- Check for unusual noise generated from the servo amplifier.
- Make sure that the emergency stop circuit operates properly such that an operation can be stopped immediately and a power is shut off by the emergency stop switch.

5.2 Parts with a service life

The service life of the following parts is listed below. In addition, the service life varies depending on the operating methods and environment. If any fault is found in a part, it is necessary to replace it immediately regardless of its service life. For parts replacement, please contact your local sales office.

Part name	Recommended service life
Smoothing capacitor	10 years
Relay	Power-on, dynamic brake stop, and forced stop 100,000 times
Cooling fan	50,000 hours to 70,000 hours (7 to 8 years)
Absolute position battery	Refer to "ABSOLUTE POSITION DETECTION SYSTEM" in the following manual. MR-J5 User's Manual (Hardware)

Smoothing capacitor

The service life of the capacitor is 10 years (with a three-phase power supply input) under continuous operation in air-conditioned environments (ambient temperatures of 40 °C or less at altitudes of up to 1000 m and 30 °C or less at altitudes of over 1000 m and up to 2000 m). Ripple currents or other factors will deteriorate the characteristic of the smoothing capacitor. The service life of the capacitor greatly varies depending on ambient temperature and operating conditions.

Relays

Contact faults occur due to contact wear arisen from switching currents. A relay will reach the end of its service life if the following actions are performed a total of 100,000 times: powering on the servo amplifier, inputting the dynamic brake stop, and inputting the forced stop. In addition, the service life of a relay may vary depending on the power supply capacity.

Servo amplifier cooling fan

The cooling fan bearings will reach the end of their service life in 50,000 hours to 70,000 hours. Therefore, the cooling fan must be replaced after seven to eight years of continuous operation as a guideline. If unusual noise or vibration is found during inspection, the cooling fan must also be replaced. The service life has been calculated in an environment which contains no corrosive gas, flammable gas, oil mist, or dust. The average annual ambient temperature was 40 °C.

5.3 Replacing fan unit

The internal circuits of the servo amplifier may be damaged by static electricity. Take the following precautions.

- Ensure that the work bench and your body are grounded.
- Do not directly touch conductive areas such as the connector pins and electrical parts.

The fan unit is composed of a cooling fan and its cover.

List of applicable fan units

Servo amplifier	Fan units
MR-J5-70B_/MR-J5-100B_	MR-J5-FAN1
MR-J5-200B_/MR-J5-350B_	MR-J5-FAN2
MR-J5-500B_	MR-J5-FAN3
MR-J5-700B_	MR-J5-FAN4
MR-J5W2-44B	MR-J5W-FAN1
MR-J5W3-222B/MR-J5W3-444B	MR-J5W-FAN2
MR-J5W2-77B/MR-J5W2-1010B	MR-J5W-FAN3
MR-J5-200B4_/MR-J5-350B4_	MR-J5-FAN2

Replacement procedure

For the replacement procedure of fan units, refer to "Fan unit replacement procedure" in the following manual.

 MR-J5 User's Manual (Hardware)

6 COMPLIANCE WITH GLOBAL STANDARDS

This chapter provides information common among AC servo amplifiers. Information that is not applicable to MR-J5 servo amplifier/other equipment combinations is also included.

6.1 Compliance with global standards

For compliance with the standards of Europe/UK, United States/Canada, and South Korea, refer to the following manual. Safety Instructions and Precautions for MR-J5 AC Servos (IB(NA)-0300391)

6.2 Handling of AC servo amplifier batteries for the United Nations Recommendations on the Transport of Dangerous Goods

To reflect the United Nations Recommendations on the Transport of Dangerous Goods (hereinafter Recommendations of the United Nations), we have modified the description on the package for AC servo amplifier batteries since January 2009. The description complies with transport regulations for lithium metal batteries in the Technical Instruction (ICAO-TI) by the International Civil Aviation Organization (ICAO) and the International Maritime Dangerous Goods Code (IMDG Code) by the International Maritime Organization (IMO).

The above change will not affect the function or performance of the product.

This section describes the handling of lithium metal batteries in air transportation that has been changed in response to the IATA (International Air Transport Association) Dangerous Goods Regulations 63rd Edition issued on January 1, 2022, and the handling of lithium metal batteries in maritime transportation that has also been changed.

Target model

Battery (cell)

Model	Option model	Type	Lithium content	Mass of battery	Remark
ER6	MR-J3BAT	Cell	0.65 g	16 g	Each battery (cell) contains more than 0.3 grams of lithium content and must be handled as dangerous goods (Class 9) for certain packaging requirements.
	MR-J3W03BATSET	Cell	0.65 g	16 g	
ER17330	MR-BAT	Cell	0.48 g	13 g	
	A6BAT	Cell	0.48 g	13 g	

Battery unit (assembled)

Model	Option model	Type	Lithium content	Mass of battery	Remark
ER6	MR-J2M-BT_	Assembled battery (Seven cells)	4.55 g	112 g	The assembled battery contains more than two grams of lithium content and must be handled as dangerous goods (Class 9) regardless of packaging requirements.
CR17335A	MR-BAT6V1	Assembled battery (Two cells)	1.20 g	34 g	Each battery (cell) contains more than 0.3 grams of lithium content and must be handled as dangerous goods (Class 9) for certain packaging requirements.
	MR-BAT6V1SET_	Assembled battery (Two cells)	1.20 g	34 g	
	MR-BAT6V1BJ	Assembled battery (Two cells)	1.20 g	34 g	

Purpose

To enable safer transportation of lithium metal batteries.

Handling during transportation

This section describes how to handle lithium metal batteries in transportation. The batteries alone transported by air are classified as UN3090, and the batteries packed with or contained in equipment transported by air are classified as UN3091. Lithium metal batteries are classified as SP188 when transported by sea as non-dangerous goods.

Air transportation of lithium metal batteries alone

Packaging requirements	Classification	Main requirements
Lithium content per cell \leq 1 g Number of cells per package \leq 8	UN3090 PI968 Section II Transitioned to Section IB on or after April 1, 2022	The package must pass a 1.2 m drop test, and a lithium battery mark (size: 100 × 100 mm) must be attached on the package. Refer to the requirements of Section IB on or after April 1, 2022.
Lithium content per battery \leq 2 g Number of batteries per package \leq 2		
Lithium content per cell \leq 1 g Number of cells per package $>$ 8	UN3090 PI968 Section IB	The total battery weight per package must be 10 kg or less. The package must pass a 1.2 m drop test, and a lithium battery mark (size: 100 × 100 mm) must be attached on the package. The batteries must be handled conforming to Class 9 Dangerous Goods Regulations (e.g.: displaying the lithium battery hazard label).
Lithium content per battery \leq 2 g Number of batteries per package $>$ 2		
Lithium content per cell $>$ 1 g	UN3090 PI968 Section IA	The total battery weight per package must be 35 kg or less. The package must comply with UN specification packing requirements and be handled complying with Class 9 Dangerous Goods Regulations (e.g.: displaying the lithium battery hazard label).
Lithium content per battery $>$ 2 g		

Transportation of lithium metal batteries alone classified as UN3090 PI968 Section II must comply with Section IB.

Transportation of lithium metal batteries alone as cargo on passenger aircraft has been prohibited since January 1, 2015.

Lithium metal batteries can be transported by sea or cargo aircraft.

Air transportation of lithium metal batteries packed with or contained in equipment

Lithium metal batteries packed with or contained in equipment can be transported as cargo on passenger aircraft.

■ For batteries packed with equipment, follow the requirements of UN3091 PI969.

Batteries are classified into either Section II or Section I depending on the lithium content/packaging requirements.

■ For batteries contained in equipment, follow the requirements of UN3091 PI970.

Batteries are classified into either Section II or Section I depending on the lithium content/packaging requirements. The special handling may be unnecessary depending on the number of batteries and gross mass per package.

Maritime transportation of lithium metal batteries

Packaging requirements	Classification	Main requirements
Lithium content per cell \leq 1 g Lithium content per battery \leq 2 g	SP188	For transportation of batteries alone, the total weight of the package must be 30 kg or less. The package must pass a 1.2 m drop test, and the lithium battery mark (size: 100 × 100 mm) must be attached on the package. For transportation of batteries packed with or contained in equipment, the special handling may be unnecessary depending on the number of batteries per package.
Lithium content per cell $>$ 1 g Lithium content per battery $>$ 2 g	—	The package must comply with UN specification packaging requirements and be handled complying with Class 9 Dangerous Goods Regulations (e.g.: displaying the lithium battery hazard label).

Package at our shipment

When the packages containing the target batteries are shipped overseas directly from us, the lithium battery mark (Figure 1) is displayed on the packages.

If the packages are shipped domestically, the mark (Figure 1) is not displayed.

Thus, when customers transport the domestic-bound packages overseas, the lithium battery mark (Figure 1) must be displayed on the packages by customers. The responsibility for the cargo lies with the customers. Please contact a transportation company for details on the lithium battery mark (Figure 1).

For both domestic and overseas shipments, the target battery units which must be handled as Class 9 Dangerous Goods are packaged according to UN specification packaging requirements, and the packages bear the lithium battery hazard label (Figure 2).

Figure 1: Lithium battery mark example



* UN number(s)

** Telephone number for additional information

Figure 2: Lithium battery hazard label example



Transportation precaution for customers

For maritime or air transportation, the lithium battery mark (Figure 1) is required also for the outer package containing several packages of Mitsubishi Electric cells or batteries. When the content of a package must be handled as dangerous goods (Class 9), the package must comply with UN specification packaging requirements. Please issue Shipper's Declaration for Dangerous Goods and an Air Waybill (AWB) and attach the lithium battery hazard label (Figure 2) to the packages for transportation.

This section outlines the IATA Dangerous Goods Regulations 63rd Edition and the conditions of SP188 for non-dangerous goods transported by sea. The IATA Dangerous Goods Regulations are revised, and the requirements are changed annually. When customers transport lithium batteries by themselves, the responsibility for the cargo lies with the customers. Thus, be sure to check the latest version of the IATA Dangerous Goods Regulations and International Maritime Dangerous Goods Code (IMDG Code).

6.3 Symbol for the new EU Battery Directive

The symbol for the new EU Battery Directive (2006/66/EC) that is plastered to the AC servo battery is explained here.



Point

- This mark is valid only in EU.

This mark is in accordance with directive 2006/66/EC Article 20 "Information for end-users" and Annex II.

MITSUBISHI ELECTRIC products are designed and manufactured with high quality materials and components which can be recycled and/or reused.

This symbol means that batteries and accumulators, at their end-of-life, should be disposed of separately from household waste.

If a chemical symbol is shown beneath the above symbol, a heavy metal of the corresponding chemical symbol is contained in the battery or the accumulator with the following standard concentration or more.

This will be indicated as follows.

Hg: mercury (0.0005 %), Cd: cadmium (0.002 %), Pb: lead (0.004 %)

In the European Union, there are separate collection systems for used batteries and accumulators. Batteries and accumulators must be disposed of properly.

Help us to conserve the environment we live in.

6.4 Compliance with China Compulsory Certification (CCC)

Introduction

Some products are required to comply with China Compulsory Certification (hereinafter referred to as CCC) if exported, distributed, or sold to China. An outline of CCC is explained in this section. Mitsubishi Electric servo products are not subject to CCC.



Outline of CCC

CCC is a system for product certification that has been in effect in China since August 2003, the purpose of which is to protect consumers and ensure safety domestically in China. The certification system currently has five types of certification: safety, electromagnetic compatibility (EMC), safety + EMC, fire-fighting equipment, and wireless LAN. Products subject to the certification are allowed to be exported, distributed, or sold to China only if they are certified by this system.

Products that have received certification proving compliance with the relevant technical standards (or products declared by the manufacturer as being compliant) must carry the specified mark (CCC mark). Many of the technical standards to be applied are GB standards (Chinese national standards), which comply with global standards such as those set forth by the IEC (International Electrotechnical Commission) and CISPR (International Special Committee on Radio Interference).

As part of the State Administration for Market Supervision and Administration Announcement No. 18 of 2020 ("Announcement on the Catalogue of Compulsory Product Certification" (April 21, 2020)), a revised list of products subject to CCC certification (2020 version) has been published. Simultaneously, CCC Product Certification List No. 45 of 2014 (CNCA Notice No. 45 of 2014) was repealed.

Judgment

17 product groups divided into 103 categories are specified as the subject products (announcement No. 18 of 2020). The following table shows the judgment rendered regarding the CCC compliance requirement for servo products.

Model	Judgment
AC servo amplifier	Not subject
AC servo motor *1	Not subject
Options **2	Not subject

*1 AC servo motors are included in the list of low-power motors (small motors 750 W or less) in the list of products subject to compulsory certification, but are not subject to certification requirements for the following reason.
Explosion proof motors and controlled motors (servo motors, stepping motors, etc.) are excluded from the subject small capacity motors.

*2 Mitsubishi Electric option cables use the wires that is not classified into the cable category in the catalog.

6.5 Compliance with the China RoHS directive





Outline

The China RoHS directive: 电子信息产品污染控制管理办法 (Management Methods for Controlling Pollution by Electronic Information Products) came into effect on March 1, 2007. The China RoHS directive was replaced by the following China RoHS directive: 电器电子产品有害物质限制使用管理办法 (Management Methods for the Restriction of the Use of Hazardous Substances in Electrical and Electronic Products). The succeeding China RoHS directive has been in effect since July 1, 2016.

The China RoHS directive restricts the following hazardous substances: six hazardous substances (lead, mercury, cadmium, hexavalent chromium, polybrominated biphenyls (PBB), and polybrominated diphenyl ethers (PBDE)) which are also restricted by EU RoHS 2 (directive 2011/65/EU), and other hazardous substances specified by the State (currently no applicable substances).

Status of our products for compliance with the China RoHS directive

The following table shows the logo types for the environmental protection use period, and whether the six hazardous substances are contained in our products or not. This table was created based on the standard SJ/T11364.

Part name		Hazardous substance (substance/threshold/standard) *1						Logo for environmental protection use period *2	Remark
		Lead (Pb)	Mercury (Hg)	Cadmium (Cd)	Hexavalent chromium (Cr(VI))	PBB	PBDE		
		Threshold: cadmium: 0.01 wt% (100 ppm), other than cadmium: 0.1 wt% (1000 ppm)							
Servo amplifier Servo system controller	Mounting board	×	○	○	○	○	○		—
	Heat sink	×	○	○	○	○	○		
	Resin cabinet	○	○	○	○	○	○		
	Plate and screw	○	○	○	○	○	○		
Servo motor	Bracket	×	○	○	○	○	○		—
	Mounting board	×	○	○	○	○	○		
	Resin cabinet	○	○	○	○	○	○		
	Core and cable	○	○	○	○	○	○		
Cable product	Wire	○	○	○	○	○	○		Including connector set
	Connector	○	○	○	○	○	○		
Optional unit	Mounting board	×	○	○	○	○	○		—
	Resin cabinet	○	○	○	○	○	○		
	Plate and screw	○	○	○	○	○	○		

*1 ○: Indicates that said hazardous substance contained in all of the homogeneous materials for this part is below the limit requirement of GB/T26572.

×: Indicates that said hazardous substance contained in at least one of the homogeneous materials for this part is above the limit requirement of GB/T26572.

*2 Indications based on "Marking for the restriction of the use of hazardous substances in electrical and electronic products" [SJ/T11364-2014]



Indicates that a certain hazardous substance is contained in the product manufactured or sold in China.

Follow safety and usage precautions for the product, and use the product within a limited number of years from the production date. Doing so prevents any hazardous substances in the product from causing environmental pollution or seriously affecting human health or property.



Indicates that no certain hazardous substance is contained in the product.

Difference between the China RoHS directive and the EU RoHS directive

The China RoHS directive allows no restriction exemption unlike the EU RoHS directive. Although a product complies with the EU RoHS directive, a hazardous substance in the product may be considered to be above the limit requirement (marked "×") in the China RoHS directive.



The following shows some restriction exemptions and their examples according to the EU RoHS directive.

- Lead as an alloying element in steel for machining purposes and in galvanized steel containing up to 0.35 % lead by weight, lead as an alloying element in aluminum containing up to 0.4 % lead by weight, and copper alloy containing up to 4 % lead by weight, e.g. brass-made insert nuts
- Lead in high melting temperature type solders (i.e. lead-based alloys containing 85 % by weight or more lead)
- Electrical and electronic components (such as piezoelectric sensors) containing lead in glass or ceramic materials, but not including the dielectric ceramics used in capacitors
- Electrical and electronic components containing lead in a glass or ceramic matrix compound, e.g. chip resistors

Status of our products for compliance with the China RoHS directive (Chinese)

The following table is given in Chinese according with a request by "Management Methods for the Restriction of the Use of Hazardous Substances in Electrical and Electronic Products".

☞ Page 70 Status of our products for compliance with the China RoHS directive

部件名称		有害物质 (物质名称/阈值/基准)*1						环境保护使用期限标识*2	备注
		铅 (Pb)	汞 (Hg)	镉 (Cd)	六价铬 (Cr(VI))	PBB	PBDE		
		阈值: 镉: 0.01wt% (100ppm)、镉以外: 0.1wt% (1000ppm)							
伺服放大器 伺服系统控制器	电路板组件	×	○	○	○	○	○		—
	散热片	×	○	○	○	○	○		
	树脂壳体	○	○	○	○	○	○		
	金属板、螺丝	○	○	○	○	○	○		
伺服电机	托架	×	○	○	○	○	○		—
	电路板组件	×	○	○	○	○	○		
	树脂壳体	○	○	○	○	○	○		
	铁心、电线	○	○	○	○	○	○		
电缆加工品	电线	○	○	○	○	○	○		包括连接器组件
	连接器	○	○	○	○	○	○		
选件模块	电路板组件	×	○	○	○	○	○		—
	树脂壳体	○	○	○	○	○	○		
	金属板、螺丝	○	○	○	○	○	○		

- *1 ○: 表示该有害物质在该部件所有均质材料中的含量均在GB/T26572规定的限量要求以下。
 ×: 表示该有害物质在该部件的至少一种均质材料中的含量超出GB/T26572规定的限量要求。

- *2 根据“电子电气产品有害物质限制使用标识要求”、[SJ/T11364-2014] 的表示



该标志表示在中国制造/销售的产品中含有特定有害物质。

只要遵守本产品的安全及使用方面的注意事项，从生产日算起的环保使用期限内不会造成环境污染或对人体、财产产生深刻的影响。



该标志表示制造的产品中不含有特定有害物质。

REVISIONS

*The manual number is given on the bottom left of the back cover.

Revision date	*Manual number	Description
July 2022	IB(NA)-0300578ENG-A	First edition

This manual confers no industrial property rights or any rights of any other kind, nor does it confer any patent licenses. Mitsubishi Electric Corporation cannot be held responsible for any problems involving industrial property rights which may occur as a result of using the contents noted in this manual.

© 2022 MITSUBISHI ELECTRIC CORPORATION

WARRANTY

Warranty

1. Warranty period and coverage

We will repair any failure or defect hereinafter referred to as "failure" in our FA equipment hereinafter referred to as the "Product" arisen during warranty period at no charge due to causes for which we are responsible through the distributor from which you purchased the Product or our service provider. However, we will charge the actual cost of dispatching our engineer for an on-site repair work on request by customer in Japan or overseas countries. We are not responsible for any on-site readjustment and/or trial run that may be required after a defective unit are repaired or replaced.

[Term]

For terms of warranty, please contact your original place of purchase.

[Limitations]

(1) You are requested to conduct an initial failure diagnosis by yourself, as a general rule.

It can also be carried out by us or our service company upon your request and the actual cost will be charged. However, it will not be charged if we are responsible for the cause of the failure.

(2) This limited warranty applies only when the condition, method, environment, etc. of use are in compliance with the terms and conditions and instructions that are set forth in the instruction manual and user manual for the Product and the caution label affixed to the Product.

(3) Even during the term of warranty, the repair cost will be charged on you in the following cases;

1. a failure caused by your improper storing or handling, carelessness or negligence, etc., and a failure caused by your hardware or software problem
2. a failure caused by any alteration, etc. to the Product made on your side without our approval
3. a failure which may be regarded as avoidable, if your equipment in which the Product is incorporated is equipped with a safety device required by applicable laws and has any function or structure considered to be indispensable according to a common sense in the industry
4. a failure which may be regarded as avoidable if consumable parts designated in the instruction manual, etc. are duly maintained and replaced
5. any replacement of consumable parts (battery, fan, smoothing capacitor, etc.)
6. a failure caused by external factors such as inevitable accidents, including without limitation fire and abnormal fluctuation of voltage, and acts of God, including without limitation earthquake, lightning and natural disasters
7. a failure generated by an unforeseeable cause with a scientific technology that was not available at the time of the shipment of the Product from our company
8. any other failures which we are not responsible for or which you acknowledge we are not responsible for

2. Term of warranty after the stop of production

(1) We may accept the repair at charge for another seven (7) years after the production of the product is discontinued. The announcement of the stop of production for each model can be seen in our Sales and Service, etc.

(2) Please note that the Product (including its spare parts) cannot be ordered after its stop of production.

3. Service in overseas countries

Our regional FA Center in overseas countries will accept the repair work of the Product. However, the terms and conditions of the repair work may differ depending on each FA Center. Please ask your local FA center for details.

4. Exclusion of loss in opportunity and secondary loss from warranty liability

Regardless of the gratis warranty term, Mitsubishi shall not be liable for compensation to:

- (1) Damages caused by any cause found not to be the responsibility of Mitsubishi.
- (2) Loss in opportunity, lost profits incurred to the user by Failures of Mitsubishi products.
- (3) Special damages and secondary damages whether foreseeable or not, compensation for accidents, and compensation for damages to products other than Mitsubishi products.
- (4) Replacement by the user, maintenance of on-site equipment, start-up test run and other tasks.

5. Change of Product specifications

Specifications listed in our catalogs, manuals or technical documents may be changed without notice.

6. Application and use of the Product

- (1) For the use of our AC Servo, its applications should be those that may not result in a serious damage even if any failure or malfunction occurs in AC Servo, and a backup or fail-safe function should operate on an external system to AC Servo when any failure or malfunction occurs.
- (2) Our AC Servo is designed and manufactured as a general purpose product for use at general industries. Therefore, applications substantially influential on the public interest for such as atomic power plants and other power plants of electric power companies, and also which require a special quality assurance system, including applications for railway companies and government or public offices are not recommended, and we assume no responsibility for any failure caused by these applications when used.
In addition, applications which may be substantially influential to human lives or properties for such as airlines, medical treatments, railway service, incineration and fuel systems, man-operated material handling equipment, entertainment machines, safety machines, etc. are not recommended, and we assume no responsibility for any failure caused by these applications when used. We will review the acceptability of the abovementioned applications, if you agree not to require a specific quality for a specific application. Please contact us for consultation.
- (3) Mitsubishi Electric shall have no responsibility or liability for any problems involving programmable controller trouble and system trouble caused by DoS attacks, unauthorized access, computer viruses, and other cyberattacks.

TRADEMARKS

MELSERVO is a trademark or registered trademark of Mitsubishi Electric Corporation in Japan and/or other countries. All other product names and company names are trademarks or registered trademarks of their respective companies.

IB(NA)-0300578ENG-A(2207)MEE

MODEL:

MODEL CODE:

MITSUBISHI ELECTRIC CORPORATION

HEAD OFFICE : TOKYO BUILDING, 2-7-3 MARUNOUCHI, CHIYODA-KU, TOKYO 100-8310, JAPAN
NAGOYA WORKS : 1-14, YADA-MINAMI 5-CHOME, HIGASHI-KU, NAGOYA, JAPAN

When exported from Japan, this manual does not require application to the
Ministry of Economy, Trade and Industry for service transaction permission.

Specifications are subject to change without notice.

Compliance with the indicated global standards and regulations is current as of the release date of this manual.