

Battery Set




Model

MR-J3W03BATSET

Installation Guide B

MR-J3W03BATSET is an optional battery designed for the MR-J3W-0303BN6 servo amplifiers. It includes a mounting attachment and battery extension cable. For details of MR-J3W03BATSET, refer to the MR-J3W-0303BN6/MR-J3W-□B servo amplifier instruction manual (SH(NA)030073ENG-C or later).

1. Summary

Name	Model	Description		
Battery set	MR-J3W03BATSET	Battery extension cable	MR-J3BAT	Mounting attachment for MR-J3BAT
				

2. MR-J3BAT specification list

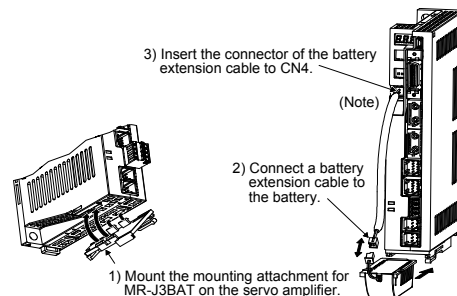
Item	Description
Battery	Lithium battery (primary battery, nominal + 3.6V) Type: MR-J3BAT
(Note) Battery life	5 years from date of manufacture

Note. Quality of battery degrades by the storage condition. It is recommend that the battery be used within two years from the production date.

3. Battery mounting procedure

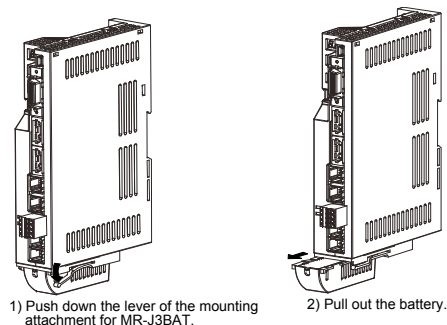
POINT

- Insert MR-J3BAT directly according to the rail of attachment for MR-J3BAT.



Note. Be careful not to catch battery extension cable on peripheral equipment or by your fingers. Doing so may cause a disconnection of the CN4 connector due to stress on the connector connection part.

4. Battery removing procedure



MITSUBISHI ELECTRIC CORPORATION

HEAD OFFICE: TOKYO BLDG MARUNOUCHI TOKYO 100-8310

IB(NA)0300199ENG-B(1703)MEE

Printed in Japan

This installation guide uses recycled paper.

Specifications are subject to change without notice.