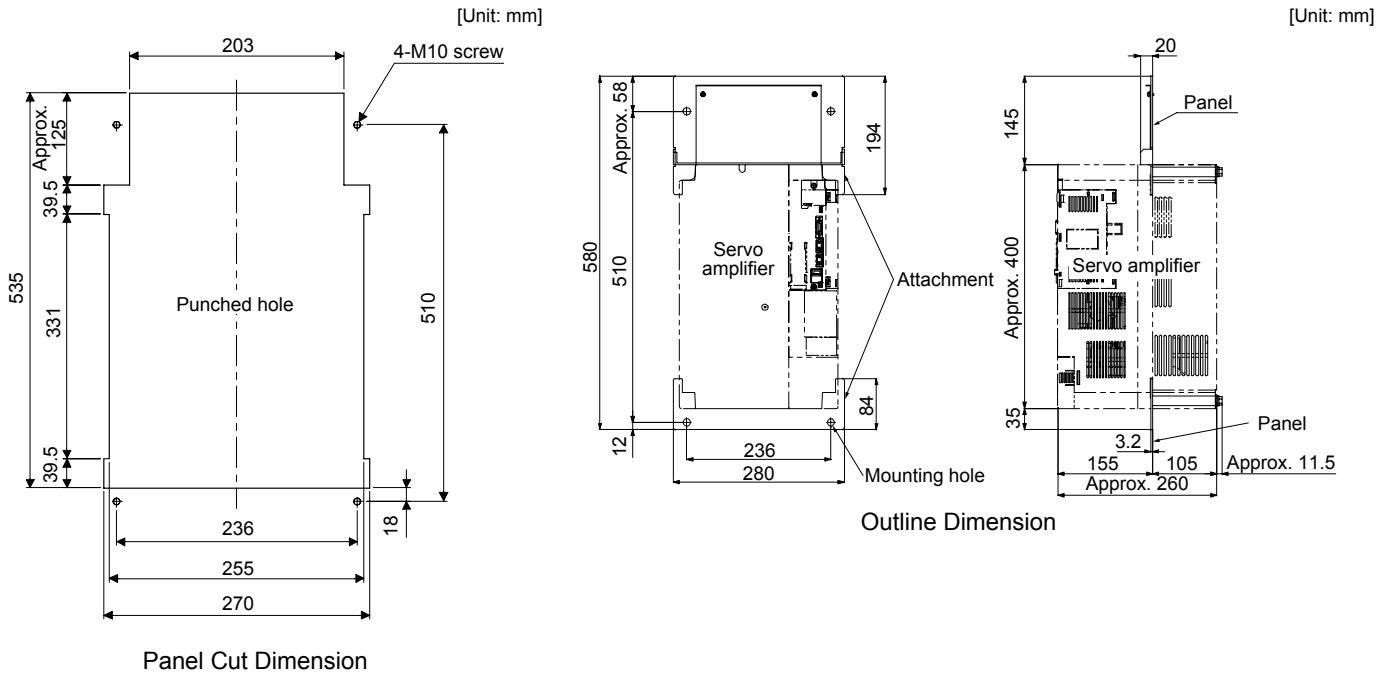


## 1. INTRODUCTION

Thank you for choosing the heat sink outside mounting attachment designed for Mitsubishi AC servo. The heat sink outside mounting attachment is used to install the heat sink of a servo amplifier in the outside of a control box. Handling method for the heat sink outside mounting attachment is indicated in the instruction manual for each servo amplifier. Read the instruction manual carefully to use the heat sink outside mounting attachment.

## 2. MR-J3ACN



## 3. MR-J4ACN15K

