

MITSUBISHI

General-Purpose AC Servo

MELSERVO-C

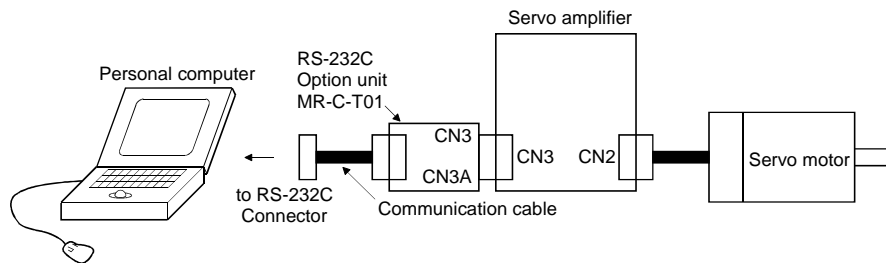
RS-232C Option unit

MR-C-T01

Installation Guide B

The RS-232C option unit is required when using the Servo Configuration software (MRZJW3-SETUP31E or later) to perform parameter setting changes, graph display, test operation and others on a personal computer.

1. Configuration diagram

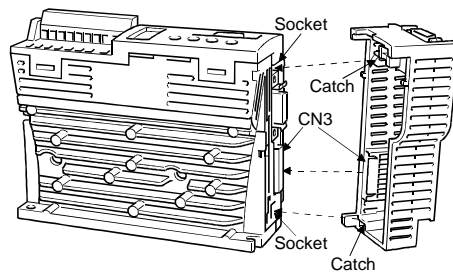


2. Installation and removal of the unit

NOTICE Install or remove option unit as vertically as possible to or from the servo amplifier. If it is installed or removed diagonally, the connector CN3 may be damaged.

1) Installation

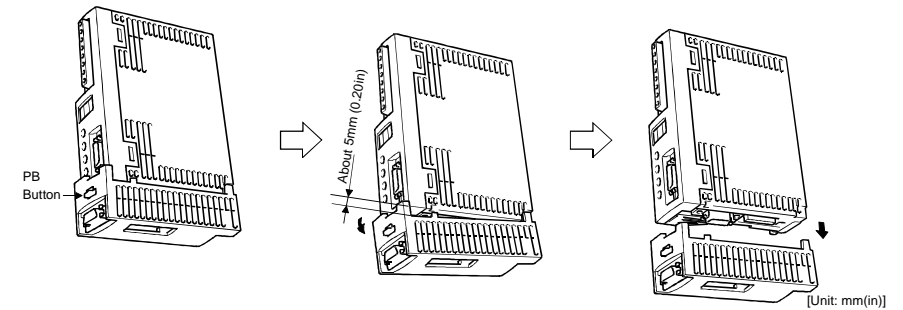
Install the unit after disconnecting the encoder cable from CN2. Securely insert the two catches of the MR-C-T01 into the sockets of the servo amplifier.



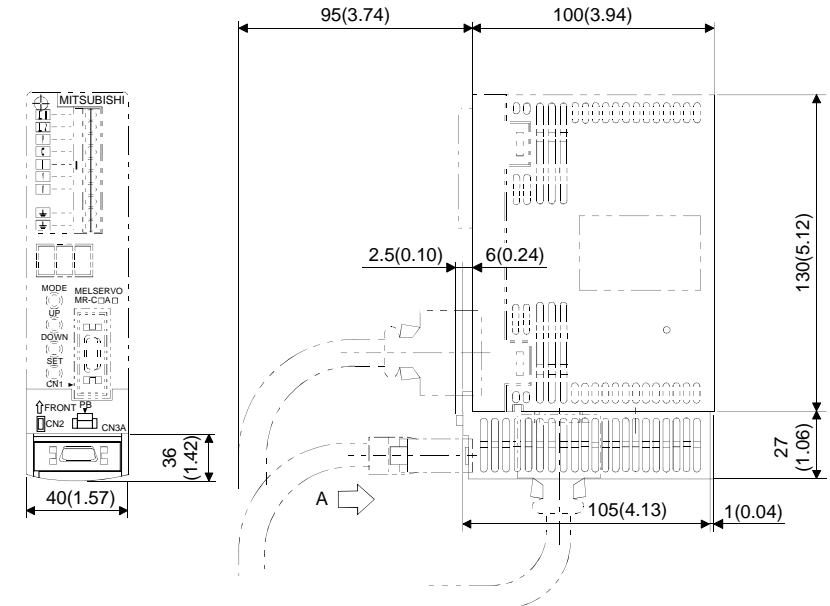
MEMO-RANDUM Install option unit after fixing the servo amplifier on the control box. After installation, the servo amplifier fixing holes are covered by the option unit and the servo amplifier cannot be fixed to the control box.

2) Removal

Hold down the PB button and pull the front side down about 5mm (0.20). Then, pull the back side off.



3. Outline drawing after installation



MITSUBISHI ELECTRIC CORPORATION

HEAD OFFICE: MITSUBISHI DENKI BLDG MARUNOUCHI TOKYO 100-8310

This installation guide uses recycled paper.

IB(NA)67285-B (0006) MEE

Specifications are subject to change without notice.

Published June, 2000