

**MITSUBISHI
ELECTRIC**



INVERTER

FR-E700-SC(-EC)(-NA)/NF/NC

Safety stop function instruction manual

CONTENTS

1. General description.....	2
2. Installation and wiring	3
3. Example of safety system configuration	6
4. Test and checking failure	10
5. Safety parameters of FR-E700-SC/NF/NC	12

Compliance with the EU Machinery Directive – Functional Safety

⚠ WARNING

Any misuse of safety function could lead to personal injury or death, property damage, or economic loss. To ensure that the system complies fully with requirement of safety, make a system-level risk assessment.

Mitsubishi Electric Co. cannot assume responsibility for any system to comply with safety directive.

⚠ CAUTION

The information of this manual is merely a guide for proper installation.

Mitsubishi Electric Co. cannot assume responsibility for the compliance or the noncompliance to any code, national, local or otherwise for the proper installation of this equipment.

A hazard of personal injury and/or equipment damage exists if codes are ignored during installation.

⚠ WARNING

To avoid an electric shock hazard, verify that the voltage on the bus capacitors has discharged before performing any work on the drive. Measure the DC bus voltage at the P(+) and N(-) terminals or test points (refer to your drive's *User Manual* for locations and discharging time). The voltage must be zero.

⚠ WARNING

The safety stop function do not isolate electrically between drive and motor. To avoid an electric shock hazard, disconnect/isolate power to the drive and verify to ensure that the voltage is zero before performing any work on the motor (refer to your drive's *User Manual* for discharging time).

⚠ CAUTION

- FR-E700-SC/NF/NC which has the following SERIAL number are compatible with ISO13849.

<FR-E700-SC/NF/NC series of Japanese specifications>

FR-E700-SC: F○○○○○○○○○ or later

FR-E700-NF: E○○○○○○○○○ or later

FR-E700-NC: Three-phase 200V class 0.1K to 0.75K: C○○○○○○○○○ or later

Three-phase 200V class 1.5K to 3.7K/11K/15K: B○○○○○○○○○ or later

Three-phase 200V class 5.5K/7.5K: D○○○○○○○○○ or later

(Three-phase 400V class and single-phase 200V class are all compatible.)

<FR-E700-SC series of NA, EC specifications>

Compatible for all models.

- Diodes are installed to S1 and S2 terminal of the following FR-E700-SC/NF/NC to block undesirable current.

<FR-E700-SC/NF/NC series of Japanese specifications>

FR-E700-SC: Manufactured in November 2010 or later

FR-E700-NF: Manufactured in December 2010 or later

FR-E700-NC: Three-phase 200V class and

single-phase 200V class: Manufactured in November 2010 or later

Three-phase 400V class: Manufactured in October 2010 or later

<FR-E700-SC series of NA, EC specifications>

Manufactured in August 2010 or later

Check the SERIAL number indicated on the inverter rating plate or package.

Rating plate example

□	○	○	○○○○○○○
Symbol	Year	Month	Control number

SERIAL (Serial No.)

The SERIAL consists of one symbol, two characters indicating production year and month, and six characters indicating control number.

The last digit of the production year is indicated as the Year, and the Month is indicated by 1 to 9, X (October), Y (November), and Z

1. General description

Features

Mitsubishi FR-E700-SC/NF/NC safety stop function prevents a drive from supplying rotational energy to motors. Dual safety channels 'S1' and 'S2' cut off the gate-drive power for IGBT to turn off.

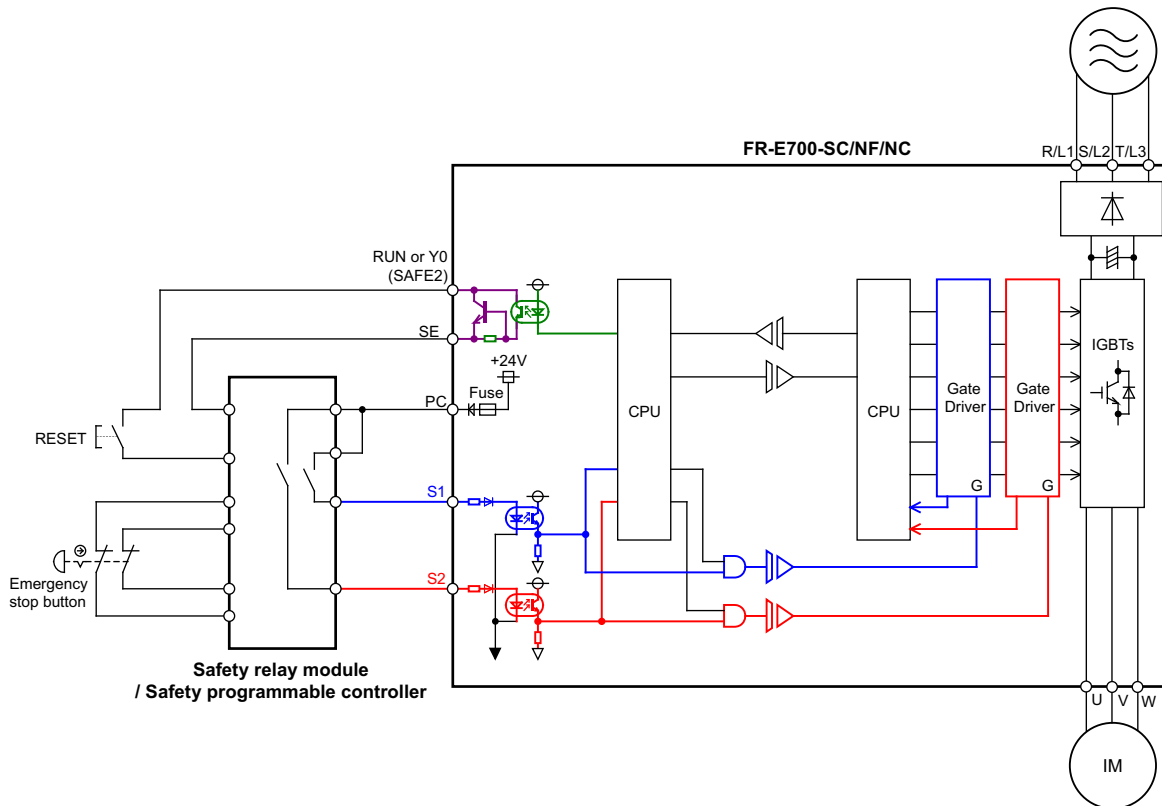


Fig.1 FR-E700-SC/NF/NC safety stop function diagram

⚠ WARNING

Disconnecting the power to the gate driver by the safety stop function does not isolate electrically between drive and motor. To avoid an electric shock hazard, disconnect power to the drive and verify that the main circuit capacitor voltage is zero (across P and N terminals) before performing any work on the motor (refer to your drive's *User Manual* for discharging time).

Standards

Mitsubishi FR-E700-SC/NF/NC safety stop function meets the following directives and categories.

ISO13849-1:2008 Category 3/PLd

IEC62061:2005 / IEC61800-5-2:2007 / IEC61508 SIL2

IEC60204-1:2006 / IEC61800-5-2:2007 Stop category 0

⚠ WARNING

The misuse of safety function leads to personal injury or death, property damage, or economic loss. To ensure that the system complies fully with requirement of safety, make a system-level risk assessment.

Mitsubishi Electric Co. cannot assume responsibility for any system to comply with safety directive.

2. Installation and wiring

⚠ CAUTION

The following information is merely a guide for proper installation. Mitsubishi Electric Co. cannot assume responsibility for the compliance or the noncompliance to any code, national, local or otherwise for the proper installation of this equipment. A hazard of personal injury and/or equipment damage exists if codes are ignored during installation.

⚠ CAUTION

Ensure the safety relay unit and the FR-E700-SC/NF/NC unit is mounted closely in enclosure meeting IP54 and all interconnection wiring is short and protected against open and short circuit faults. Refer ISO/IEC13849-2.

Installation

Mitsubishi FR-E700-SC/NF/NC safety stop function should be used under following condition and environment.

Table.1 The condition and environment for using safety stop function

Item		Condition
Temperature range	Operation	-10°C to +50°C (non-freezing)
	Storage	-20°C to +65°C
Ambient humidity		90%RH maximum (non-condensing)
Vibration		5.9m/s ² or less
Altitude		maximum 1000m above sea level
Atmosphere		Indoors (without corrosive gas, flammable gas, oil mist, dust and dirt etc.)
Over voltage category		II or less
Pollution degree		II or less
Mounting		wall mounting / vertical orientation

⚠ CAUTION

In order to meet safety stop, an approved safety relay unit to ISO13849-1/EN954-1 safety category 3 or better shall be used in conjunction with FR-E700-SC/NF/NC as shown in example. In addition, all other components with in the safety stop loop shall be 'safety approved' types.

⚠ WARNING

To avoid an electric shock hazard, insert the magnetic contactor (MC) between power source and drive. Open the contact of MC and keep away from drive for discharging time (refer to your drive's *User Manual* for information) before performing any work on the drive. And verify that the voltage on the bus capacitors has discharged before Measure the DC bus voltage at the P(+) and N(-) terminals or test points (refer to your drive's *User Manual* for locations). The voltage must be zero.

⚠ CAUTION

To avoid systematic faults, a test even for faulty demands of the safety function has to be performed in order to check the correct function of the monitor signal. This test shall be carried out at system installation, any software changes, parameterization changes, and/or at least once per year. Refer to '4. Test and checking failure'.

Wiring

The safety related terminals are described in Table.2 and Table.3

Table.2 The safety related terminals

Terminal Symbol	Description	Rating ^{*2}
S1	For input of safety stop channel1. S1-PC is Open: In safety stop mode. Short: Non safety stop mode.	Input resistance: 4.7kΩ Input Current : 4 to 6 mA (In case of shorted to PC) Input Voltage : 21 to 26.5 V
S2	For input of safety stop channel2. S2-PC is Open: In safety stop mode. Short: Non safety stop mode.	
PC	Common terminal for S1,S2 signals. *PC is connected to 24V power source through diode and fuse.	Output Voltage 22V to 26.5V Output Current : 100mA max.
RUN or Y0 (SAFE2)	As output for failure detection and alarm. RUN terminal type is 'Open collector output'. RUN or Y0-SE is OFF(Open): Detect failure or Alarm. ON(Close): No failure detected. Attention: To use RUN terminal or Y0 terminal for monitor output of failure detection, <u>Pr. 190 should be set "81" (Safety monitor 2).</u> Note: This terminal cannot be used to output safety outputs in a safety system. This terminal can be used for alarm or to prevent restart only, no other safety function.	Load: 24VDC/0.1A max. Voltage drop: 3.4V max. (In case of 'ON' state)
SE	Common terminal for RUN terminal and Y0 terminal.	
A, C ^{*1} (SAFE2)	As output for failure detection. A,C terminal type is 'Relay output'. A-C is OFF(Open): Detect failure or Alarm. ON(Close): No failure detected. Attention: To use A,C terminal for monitor output of failure detection, <u>Pr. 192 should be set "81" (Safety monitor 2).</u> Note: This terminal cannot be used to output safety outputs in a safety system. This terminal can be used for alarm or to prevent restart only, no other safety function.	Load: 30VDC/0.3A max.

*1 The relay terminal is equipped for FR-E700-SC.

*2 Specifications for conforming safety standards.

Table.3 Truth table of Safety related signals

Input power	S1-PC	S2-PC	Internal safety circuit ^{*1}	RUN, Y0-SE or A-C (SAFE2) ^{*2*3}	Inverter operation state
OFF	-	-	-	OFF(Open)	Drive shutoff (Safe state)
ON	Short	Short	No failure	ON(Close)	Drive enable
			Failure	OFF(Open)	Drive shutoff (Safe state)
	Open	Open	No failure	ON(Close)	Drive shutoff (Safe state)
			Failure	OFF(Open)	Drive shutoff (Safe state)
	Short	Open	N/A	OFF(Open)	Drive shutoff (Safe state)
	Open	Short	N/A	OFF(Open)	Drive shutoff (Safe state)

"N/A" denotes a condition where circuit fault does not apply.

*1 At an internal safety circuit fault, one of E.SAF, E.6, E.7, and E.CPU is displayed on the operation panel. SA is displayed on the operation panel while S1 and S2 signals are both open and the safety function operates (without internal safety circuit fault).

*2 To use RUN or Y0 terminal for monitor output of failure detection, Pr. 190 should be set "81" (Safety monitor 2).

*3 To use A,C terminal for monitor output of failure detection, Pr. 192 should be set "81" (Safety monitor 2).

Wire and ferrule specification

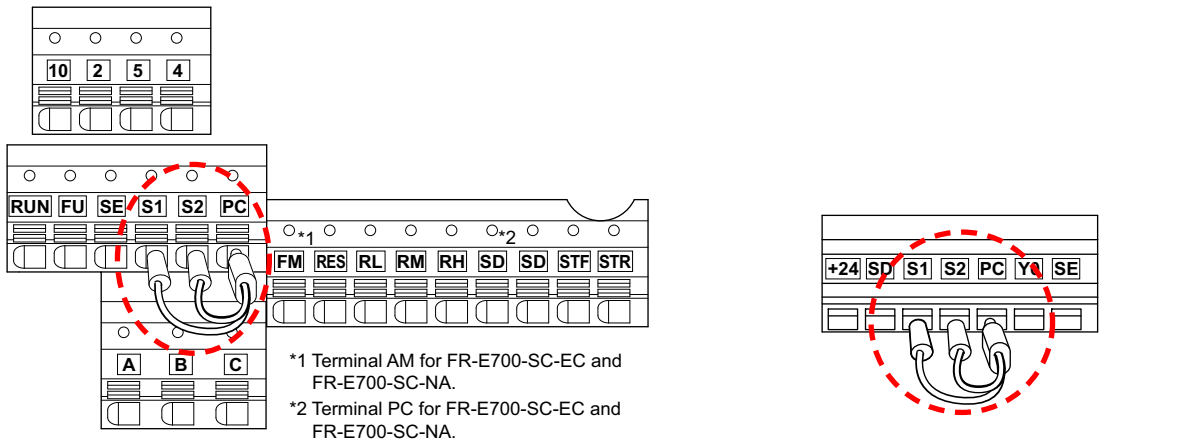
Table.4 Wire and ferrule specification

Wire size (mm ²)	Ferrule with insulation collar *	Crimping tool name *
0.3 / 0.5	AI 0,5-10WH	CRIMPFOX 6
0.75	AI 0,75-10GY	
1	AI 1-10RD	
1.25 / 1.5	AI1,5-10BK	
0.75 (combined 2 wire)	AI TWIN 2 X 0,75-10GY	

* Ferrules and tools are distributed by Phoenix Contact.

Jumper cable

The jumper cable between S1,S2 and PC terminal has been installed in the factory as shown in Fig.2.



Terminal block of FR-E700-SC

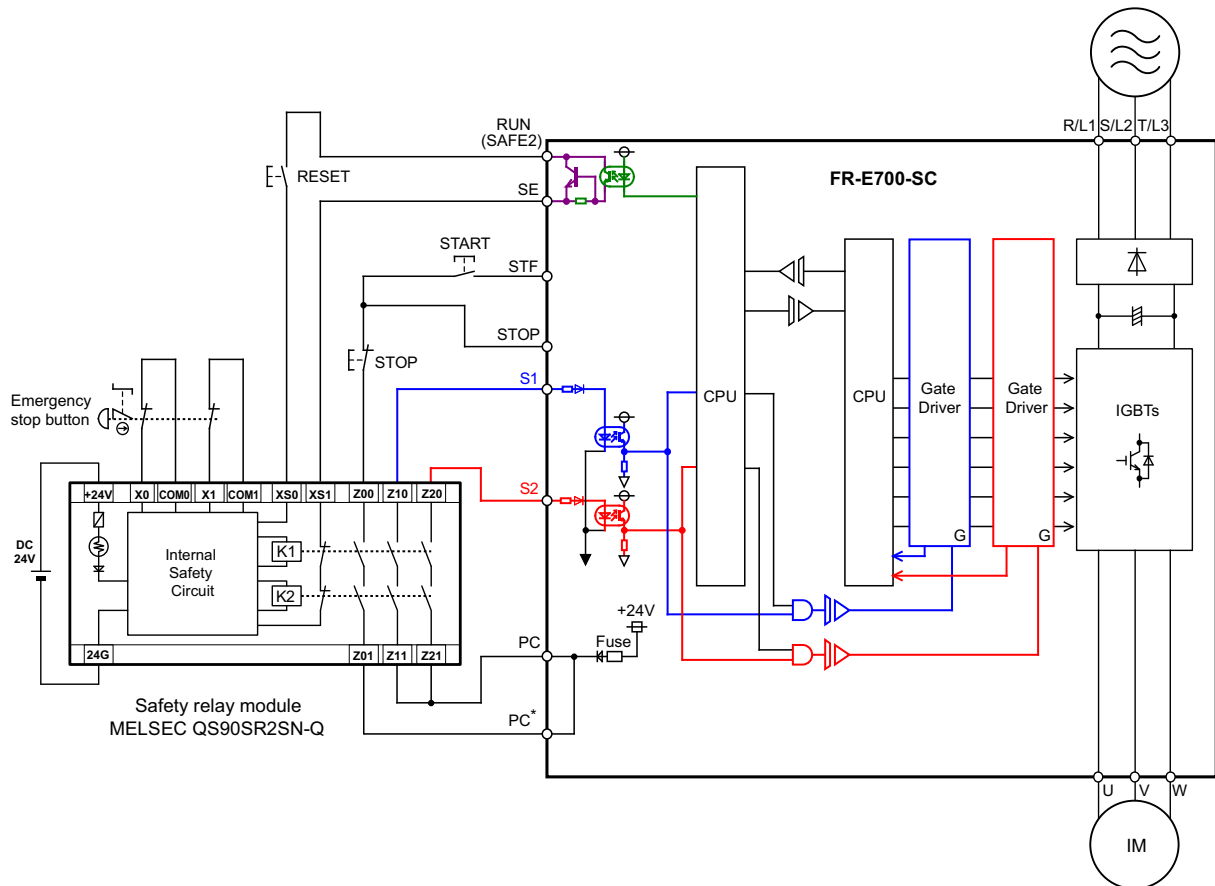
Terminal block of FR-E700-NF/NC

Fig.2. Short wire

Before connecting safety input wire to S1,S2 and PC terminal, remove this jumper cable.

3. Example of safety system configuration

●FR-E700-SC configuration example



* If the control logic is SINK logic, the common terminal is terminal SD.

Fig.3 Safety system example with FR-E700-SC



NOTE

- To use RUN terminal for monitor output of failure detection, Pr. 190 must be set to "81". This setting makes the RUN-SE output to open in case of failure.
- When starting up the system's operation, press the RESET switch to reset the safety stop function first, then turn ON the START switch to run the motor.
- In the above configuration, after reset of emergency stop button, drive will be in safe-state until RESET switch is pressed.

⚠ CAUTION

To prevent restart in case of recovering from input power loss of drive, 3-wired connection for START/STOP control is recommended.
In case of 2-wire connection and using latching type switch to short between STF and SD/PC for starting, ensure the compliance with safety requirement for the restarting when the drive recover from input power loss.

●FR-E700-NF/NC configuration example

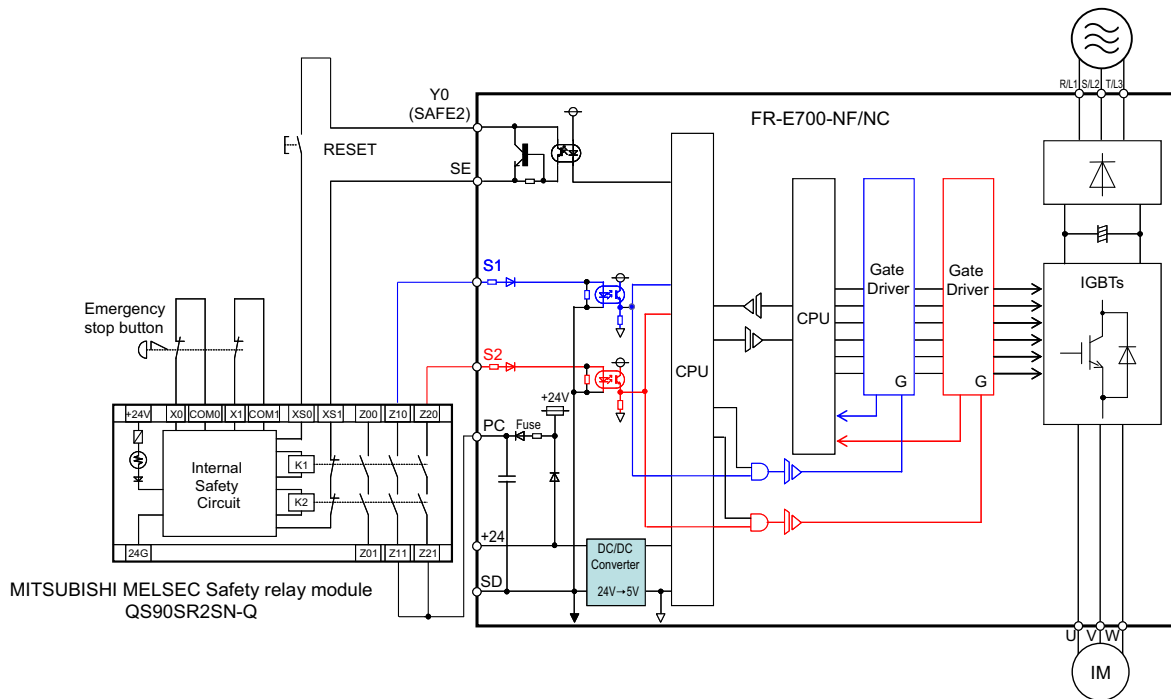


Fig.4 Safety system example with FR-E700-NF/NC



NOTE

- Set Pr. 190 to "81" to use FR-E700-NC's Y0 terminal to monitor fault detection. (The setting is not required for FR-E700-NF.) This setting makes the Y0-SE output to open in case of failure.
- When starting up the system's operation, press the RESET switch to reset the safety stop function first.
- In the above configuration, after reset of emergency stop button, drive will be in safe-state until RESET switch is pressed.

●Multiple inverter configuration example

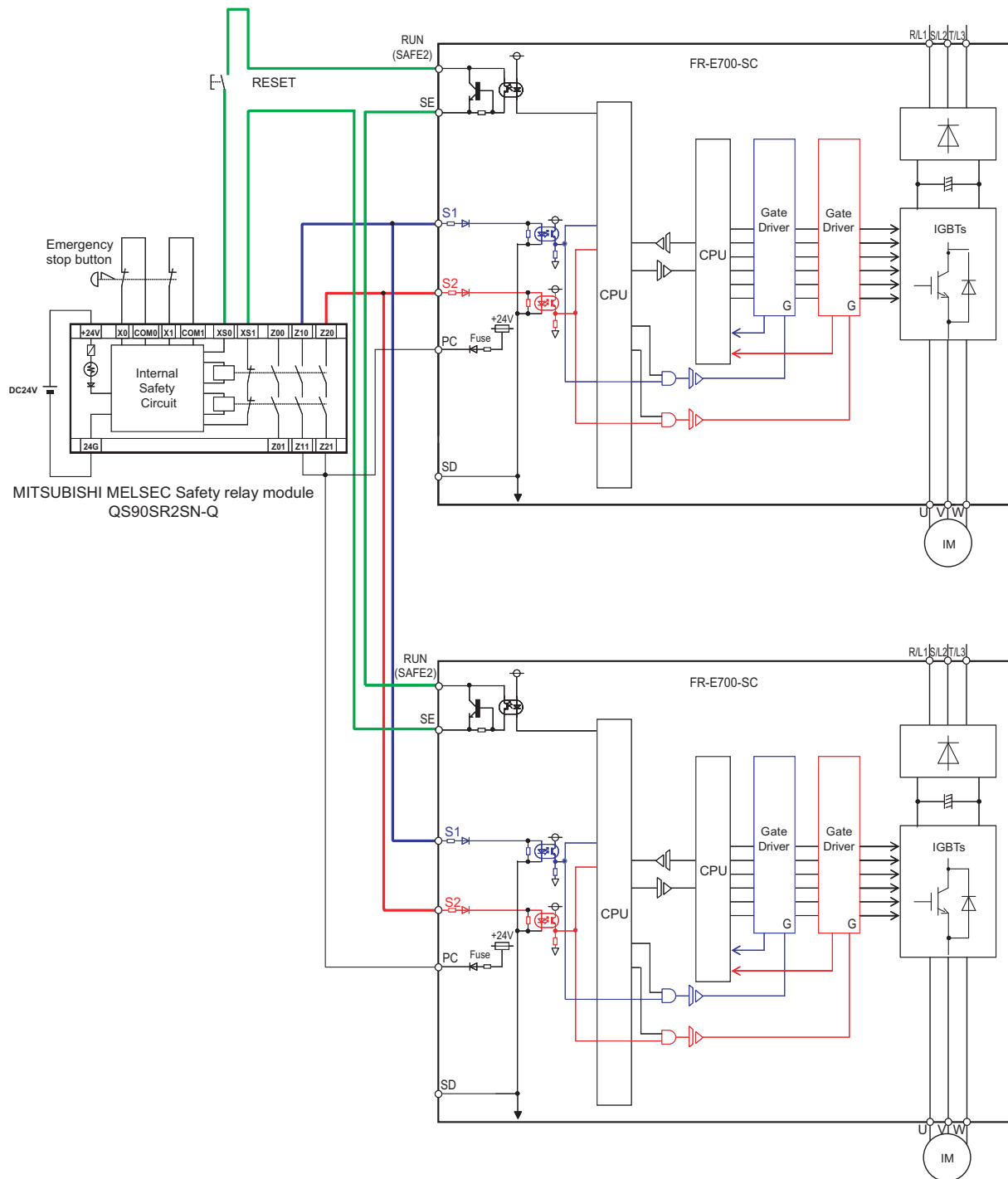


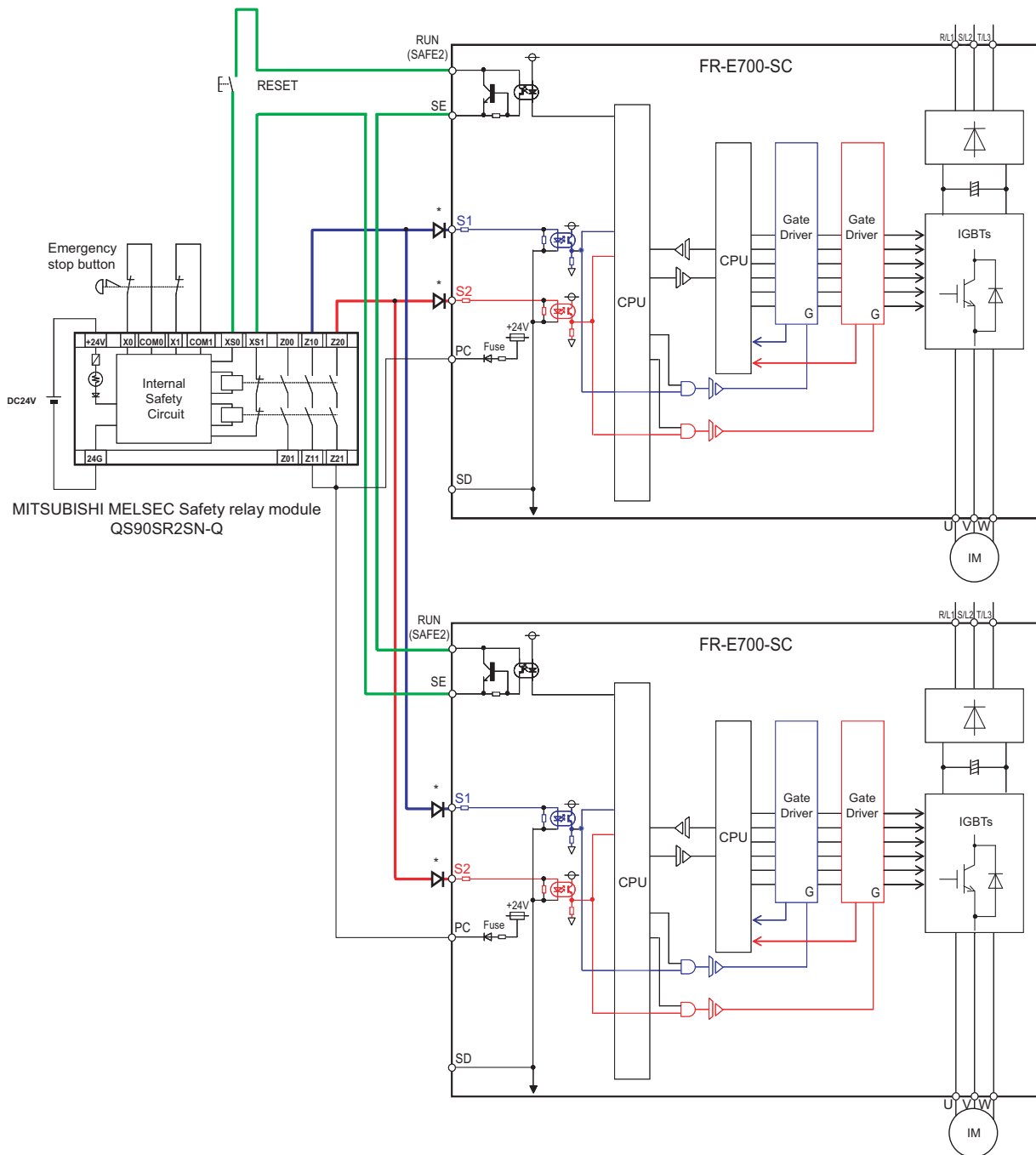
Fig.5 When using multiple safety stop function inverters (FR-E700-SC)



NOTE

- If an inverter with current-blocking diodes installed to S1 and S2 terminal are used with an inverter without the diodes, the safety stop function may not work properly. To use an inverter without diodes in combination with a diode-installed inverter, install the diodes to the inverter's output shutoff signals (S1 and S2 terminal). Refer to page 1 to find out which models are diode-installed models. For the diode specifications, refer to page 9.
- Do not connect the FR-D700 sink-logic safety terminal model together with the FR-E700-SC/NF/NC series. If connected together, the safety stop function does not work properly. (Refer to page 10.)

● Configuration example with multiple inverters (without diodes to block undesirable current)



* When connecting multiple inverters, use a diode on each safety input terminal to prevent a malfunction due to undesirable current. Refer to the following for the specification of the diode.
 Diode type : P-N junction type (Do not use a Schottky barrier diode.)
 Electronic specification - Peak reverse voltage (V_{rrm}) : 50V or more, Peak forward voltage (V_f) : 1V or less (at 5mA),
 Effective forward current (I_f) : 100mA or more

Fig.6 When using multiple safety stop function inverters (FR-E700-SC)



NOTE

- Refer to page 1 to find out which models are diode-installed models.
- The number of inverters connected to a safety relay unit should be decided under considerations of output terminal rating of a safety relay unit.
- Do not connect the FR-D700 sink-logic safety terminal model together with the FR-E700-SC/NF/NC series. If connected together, the safety stop function does not work properly. (Refer to page 10.)

●Safety controller configuration example

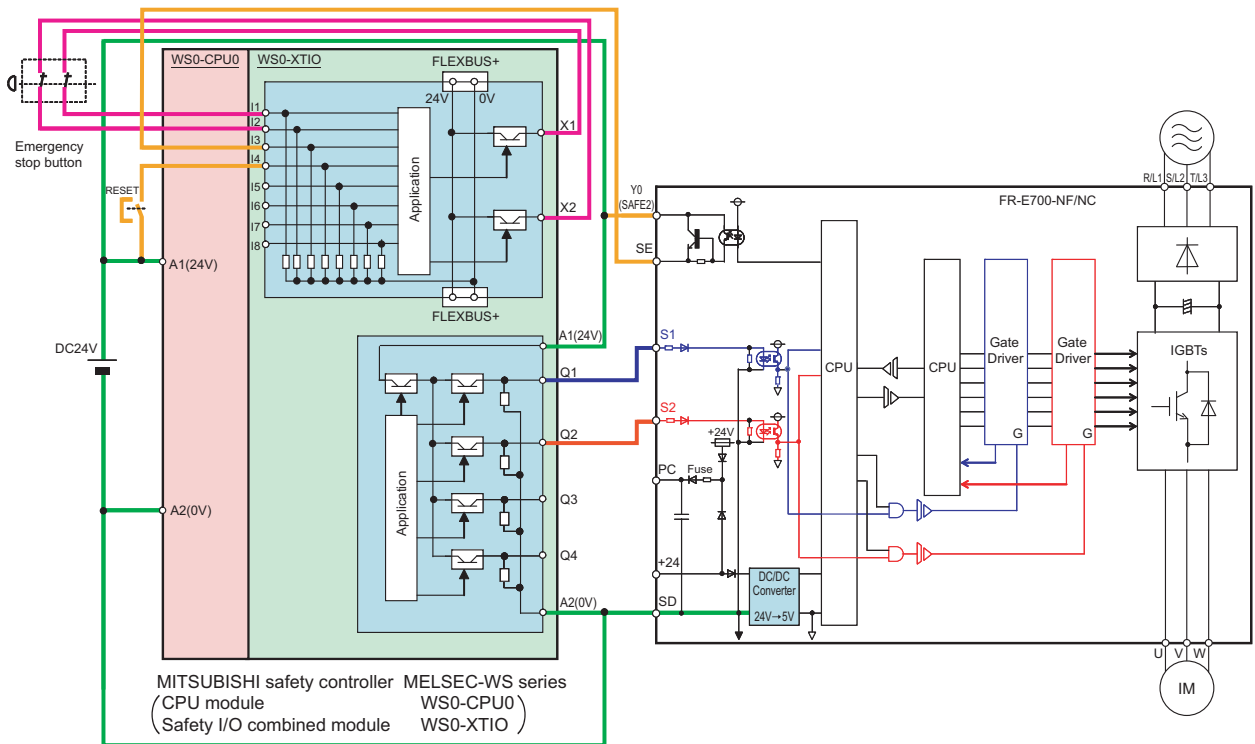


Fig.7 Safety system example with FR-E700-NF/NC



NOTE

- Set Pr. 190 to "81" to use FR-E700-NC's Y0 terminal to monitor fault detection. (The setting is not required for FR-E700-NF.) This setting makes the Y0-SE output to open in case of failure.
- When starting up the system's operation, press the RESET switch to reset the safety stop function first.
- In the above configuration, after reset of emergency stop button, drive will be in safe-state until RESET switch is pressed.

●Inverter connection

Do not connect the FR-D700 sink-logic safety terminal model together with the FR-E700-NF/NC series. If connected together, the safety stop function does not work properly.

	FR-E700-SC	FR-D700-SC	FR-D700
FR-E700-SC/NF/NC	○	○	★
FR-D700-SC	○	○	★
FR-D700 (Sink logic)	★	★	○

○: Enabled, ★: Disabled

4. Test and checking failure

⚠ CAUTION

To avoid systematic faults, a test even for faulty demands of the safety function has to be performed in order to check the correct function of the monitor signal. This test shall be carried out at system installation, any software changes, parameterization changes, and/or at least once per year.

I/O status and failure

FR-E700-SC/NF/NC safety related I/O status obeys the following truth table.

Table.5 Truth table of Safety related signals

Input power	S1-PC	S2-PC	Internal safety circuit ^{*1}	RUN, Y0-SE or A-C (SAFE2) ^{*2*3}	Inverter operation state
OFF	-	-	-	OFF(Open)	Drive shutoff (Safe state)
ON	Short	Short	No failure	ON(Close)	Drive enable
			Failure	OFF(Open)	Drive shutoff (Safe state)
	Open	Open	No failure	ON(Close)	Drive shutoff (Safe state)
			Failure	OFF(Open)	Drive shutoff (Safe state)
	Short	Open	N/A	OFF(Open)	Drive shutoff (Safe state)
	Open	Short	N/A	OFF(Open)	Drive shutoff (Safe state)

"N/A" denotes a condition where circuit fault does not apply.

*1 At an internal safety circuit fault, one of E.SAF, E.6, E.7, and E.CPU is displayed on the operation panel. SA is displayed on the operation panel while S1 and S2 signals are both open and the safety function operates (without internal safety circuit fault).

*2 To use RUN or Y0 terminal for monitor output of failure detection, Pr. 190 should be set "81" (Safety monitor 2).

*3 To use A,C terminal for monitor output of failure detection, Pr. 192 should be set "81" (Safety monitor 2).

In case of diagnostic or functionality test, check the I/O state whether it is same or not as Table.5.

Diagnostic

If the failure detected, FR-E700-SC/NF/NC output alarm signal and indicate 'E.SAF' at the display.

In case of FR-E700-SC/NF/NC output the alarm, please take following action.

- (1) Check the S1-PC and S2-PC input signal logic is the same. If these are different logic, collect the input signal and reset the FR-E700-SC/NF/NC.
- (2) Disconnect the wire from S1, S2, PC terminal, then reset or power-off and on, If the 'SA' letter is flashed up at display, there is failure in system except FR-E700-SC/NF/NC. But, still 'E.SAF' is displayed and alarm output, there is malfunction on FR-E700-SC/NF/NC.

Self diagnostic test

FR-E700-SC/NF/NC does the self-diagnostic test on the power-ON.

If FR-E700-SC/NF/NC output alarm (SA, E.SAF) at power-up, please take the action described in 'Diagnostic' at above.

Test procedure for functionality

As depicted 'ATTENTION' in above, the test for the functionality is important.

Please do the test following procedure.

- (1) Please make each state of S1-PC and S2-PC depicted at Table.5.
- (2) If there is any different state from Table.5, FR-E700-SC/NF/NC has some malfunction.
- (3) If there is no different state from Table.5, check the systematic performance, such as, press the Emergency switch, press the start/restart button at the failure detected (RUN or Y0-SE opened), and so on.
- (4) Finally clear the error record of the FR-E700-SC/NF/NC (see the user manual how to clear the error record).

5. Safety parameters of FR-E700-SC/NF/NC

The safety parameters of FR-E700-SC/NF/NC are depicted as follows.

Table.6 Safety parameters of FR-E700-SC/NF/NC

Parameter	Value
PFD_{AVG}	4.65×10^{-4}
PFH_D	5.30×10^{-9}
PL	d
$MTTF_D$	441 years
DC_{AVG}	60%

REVISIONS

Print Date	Manual Number	Revision
Mar. 2010	BCN-A211508-004-A	First edition
Aug. 2010	BCN-A211508-004-B	<u>Modification</u> Specification of SAFE signal
Jan. 2011	BCN-A211508-004-C	Correction of the applicable FR-E700-SC SERIAL number
Dec. 2011	BCN-A211508-004-D	<u>Addition</u> FR-E700-NC Series
Nov. 2012	BCN-A211508-004-E	<u>Addition</u> <ul style="list-style-type: none"> • Multiple inverter configuration example • Safety controller configuration example
Jul. 2013	BCN-A211508-004-F	<u>Addition</u> Contact information on the back cover
Oct. 2013	BCN-A211508-004-G	<u>Modification</u> Multiple inverter configuration example
Aug. 2015	BCN-A211508-004-H	<u>Modification</u> Safety parameters

HEADQUARTERS

MITSUBISHI ELECTRIC EUROPE
EUROPE B.V.
German Branch
Gothaer Straße 8
D-40880 Ratingen
Phone: +49 (0) 21 02 / 486-0
Hotline: +49 2102 1805 000-765 /-766
Fax: +49 (0) 21 02 / 4 86-1 12 0
e mail: megfa-mail@meg.mee.com
www.mitsubishi-automation.com

MITSUBISHI ELECTRIC FRANCE
FRANCE
25, Boulevard des Bouvets
F-92741 Nanterre Cedex
Phone: +33 1 55 68 55 68
Fax: +33 1 49 01 07 25
e mail: factory.automation@fra.mee.com

MITSUBISHI ELECTRIC ITALY
EUROPE B.V.
Italian Branch
C.D. Colleoni-P. Perseo Ing. 2
Via Paracelso 12
I-20041 Agrate Brianza (MI)
Phone: +39 (0) 39 / 60 53 1
Fax: +39 (0) 39 / 60 53 312
e mail: factory.automation@it.mee.com

MITSUBISHI ELECTRIC SPAIN
EUROPE B.V.
Pol. Ind. Can Magi-C.
Calle Joan Buscallá, 2-4 AC 420
E-08190 Sant Cugat del Valles
Phone: +34 (9) 3 / 565 31 31
Fax: +34 (9) 3 / 589 29 48

MITSUBISHI ELECTRIC UK
EUROPE B.V.
UK Branch
Travellers Lane
Hatfield, Hertfordshire, AL10 8 XB
Phone: +44 (0) 1707 / 27 61 00
Fax: +44 (0) 1707 / 27 86 95

MITSUBISHI ELECTRIC JAPAN
CORPORATION
Tokyo Bldg.
2-7-3 Marunouchi Chiyoda-Ku
Tokyo 100-8310
Phone: +81 (0) 3 / 32 18 31 76
Fax: +81 (0) 3 / 32 18 24 22

MITSUBISHI ELECTRIC USA
AUTOMATION
500 Corporate Woods Parkway
Vernon Hills, Illinois 60061
Phone: +1 (0) 847 / 478 21 00
Fax: +1 (0) 847 / 478 03 27

INDIA REPRESENTATIVES

MITSUBISHI ELECTRIC INDIA
PVT. LTD.
Tower A&B, DLF Cyber Greens,
DLF Cyber City, DLF Phase III,
Gurgaon - 122002 Haryana
Phone: +91 (0) 124 4630 300
Fax: +91 (0) 124 4630 399

MITSUBISHI ELECTRIC INDIA
India Factory Automation Centre
EL-3, J block, M.I.D.C. Bhosari
Pune - 411026 Maharashtra
Phone: +91 (0) 20 2710 2000
Fax: +91 (0) 20 2710 2100

EUROPEAN REPRESENTATIVES

GEVA AUSTRIA
Wiener Straße 89
A-2500 Baden
Phone: +43 (0) 2252 / 85 55 20
Fax: +43 (0) 2252 / 488 60
e mail: office@geva.co.at

Getronics b.v. BELGIUM
Control Systems
Pontbeeklaan 43
B-1731 Asse-Zellik
Phone: +32 (0) 2 / 4 67 17 51
Fax: +32 (0) 2 / 4 67 17 45
e mail: infoautomation@getronics.com

TELECON CO. BULGARIA
4, A. Ljapchev Blvd.
BG-1756 Sofia
Phone: +359 92 / 97 44 05 8
Fax: +359 92 / 97 44 06 1
e mail: ———

AutoCont CZECHIA
Control Systems s.r.o.
Nemocnicni 12
CZ-70200 Ostrava 2
Phone: +420 (0) 69 / 615 21 11
Fax: +420 (0) 69 / 615 21 12
e mail: ———

louis poulsen DENMARK
industri & automation
Geminivej 32
DK-2670 Greve
Phone: +45 (0) 43 / 95 95 95
Fax: +45 (0) 43 / 95 95 91
e mail: lpia@lpmail.com

UTU Elektrotehnika AS ESTONIA
Pärnu mnt. 160i
EE-10621 Tallinn
Phone: +372 6 / 51 72 80
Fax: +372 6 / 51 72 88
e mail: utu@utu.ee

URHO TUOMINEN OY FINLAND
Hevoshaankatu 3
FIN-28600 Pori
Phone: +358 (0) 2 / 55 08 00
Fax: +358 (0) 2 / 55 088 41
e mail: ———

UTECO A.B.E.E. GREECE
5, Mavrogenous Str.
GR-18542 Piraeus
Phone: +30 (0) 1 / 42 10 050
Fax: +30 (0) 1 / 42 12 033
e mail: uteco@uteco.gr

EUROPEAN REPRESENTATIVES

MITSUBISHI ELECTRIC IRELAND
EUROPE B.V.-Irish Branch
Westgate Business Park
Ballymount
IRL-Dublin 24
Phone: +353 (0) 1 / 419 88 00
Fax: +353 (0) 1 / 419 88 90
e mail: sales.info@meuk.mee.com

ALFATRADE LTD. MALTA
99 Paola Hill
Paola PLA 08
Phone: +356 / 697816
Fax: +356 / 697817
e mail: paul.licari@alfatrx.com

Getronics bv NETHERLANDS
Control Systems
Donauweg 10
NL-1043 AJ-Amsterdam
Phone: +31 (0) 20 / 586 15 92
Fax: +31 (0) 20 / 586 19 27
e mail: infoautomation@getronics.com

Beijer Electronics AS NORWAY
Teglverksveien 1
N-3002 Drammen
Phone: +47 (0) 32 / 24 30 00
Fax: +47 (0) 32 / 84 85 77
e mail: ———

MPL Technology SP.Z.o.o POLAND
ul.Wroclawska 53
PL-30-011 Kraków
Phone: +48 (0) 12 / 632 28 85
Fax: +48 (0) 12 / 632 47 82
e mail: krakow@mpl.com.pl

Sirius Trading&Services srl ROMANIA
Bd. Ghica nr. 112, Bl. 41
RO-72335 Bucuresti 2
Phone: +40 (0) 1 / 210 55 11
Fax: +40 (0) 1 / 210 55 11
e mail: sirius_t_s@fx.ro

ACP AUTOCOMP a.s. SLOVAKIA
Chalupkova 7
SK-81109 Bratislava
Phone: +421 (0) 7 592 22 54
Fax: +421 (0) 7 592 22 48
e mail: ———

INEA d.o.o. SLOVENIA
Ljubljanska 80
SI-1230 Domžale
Phone: +386 (0) 17 21 80 00
Fax: +386 (0) 17 24 16 72
e mail: inea@inea.si

EUROPEAN REPRESENTATIVES

Beijer Electronics AB SWEDEN
Box 426
S-20123 Malmö
Phone: +46 (0) 40 / 35 86 00
Fax: +46 (0) 40 / 93 23 02
e mail: ———

ECONOTEC AG SWITZERLAND
Postfach 282
CH-8309 Nürensdorf
Phone: +41 (0) 1 / 838 48 11
Fax: +41 (0) 1 / 838 48 12
e mail: ———

GTS TURKEY
Darülaceze Cad. No. 43A KAT: 2
TR-80270 Okmeydani-Istanbul
Phone: +90 (0) 212 / 320 1640
Fax: +90 (0) 212 / 320 1649
e mail: ———

EURASIAN REPRESENTATIVES

MITSUBISHI ELECTRIC RUSSIA
EUROPE B.V.
12/1 Goncharnaya St, suite 3C
RUS-109240 Moskow
Phone: +7 (0) 95 / 915-8624/02
Fax: +7 (0) 95 / 915-8603
e mail: ———

STC Drive Technique RUSSIA
Poslannikov per., 9, str. 1
RUS-107005 Moskow
Phone: +7 (0) 95 / 786 21 00
Fax: +7 (0) 95 / 786 21 01
e mail: ———

JV-CSC Automation UKRAINE
15, M. Raskovoyi St., Floor 10,
Office 1010
U-02002 Kiev
Phone: +380 (4) 4 / 238 83 16
Fax: +380 (4) 4 / 238 83 17
e-Mail: mkl@csc-a.kiev.ua

MIDDLE EAST REPRESENTATIVE

SHERF Motion Techn. LTD ISRAEL
Rehov Hamerkava 19
IL-58851 Holon
Phone: +972 (0) 3 / 559 54 62
Fax: +972 (0) 3 / 556 01 82
e mail: ———

MITSUBISHI ELECTRIC CORPORATION

HEAD OFFICE: TOKYO BUILDING 2-7-3, MARUNOUCHI, CHIYODA-KU, TOKYO 100-8310, JAPAN