

INVERTER FR-D700

Safety Stop Function Instruction Manual

CONTENTS

1. GENERAL DESCRIPTION	1
2. INSTALLATION AND WIRING.....	2
3. EXAMPLE OF SAFETY SYSTEM CONFIGURATION	5
4. TEST AND CHECKING FAILURE	9
5. SAFETY PARAMETERS OF FR-D700	10

Compliance with the EU Machinery Directive – Functional Safety

⚠ WARNING

- Any misuse of safety function could lead to personal injury or death, property damage, or economic loss. To ensure that the system complies fully with requirement of safety, make a system-level risk assessment. Mitsubishi Electric Co. cannot assume responsibility for any system to comply with safety standards.
- To avoid an electric shock hazard, verify that the voltage on the bus capacitors has discharged before performing any work on the drive. Measure the DC bus voltage at the P(+) and N(-) terminals or test points (refer to your drive's *User Manual* for locations and discharging time). The voltage must be zero.
- The safety stop function do not isolate electrically between drive and motor. To avoid an electric shock hazard, disconnect/isolate power to the drive and verify to ensure that the voltage is zero before performing any work on the motor (refer to your drive's *User Manual* for discharging time).

⚠ CAUTION

- The information of this manual is merely a guide for proper installation.
- Mitsubishi Electric Co. cannot assume responsibility for the compliance or the noncompliance to any code, national, local or otherwise for the proper installation of this equipment.
- A hazard of personal injury and/or equipment damage exists if codes are ignored during installation.

⚠ CAUTION

- If you are using a FR-D740-EC with serial number shown below, safety function does not work according to safety standard. In such case please contact your sales person.

<Europe model : suffixed with '-EC'>

D740-012 to 080-EC : Axxxxx, Bxxxxx, Cxxxxx, Dxxxxx, Exxxx and Fxxxxx

D740-120 to 160-EC : Axxxxx, Bxxxxx, Cxxxxx and Dxxxxx

Check the SERIAL number indicated on the inverter rating plate or package.

Rating plate example

□	○	○	○○○○○○
Symbol	Year	Month	Control number
SERIAL (Serial No.)			

The SERIAL consists of 1 version symbol, 2 numeric characters or 1 numeric character and 1 alphabet letter indicating year and month, and 6 numeric characters indicating control number. Last digit of the production year is indicated as the Year, and the Month is indicated by 1 to 9, X (October), Y (November), and Z (December).

1. General description

Features

Mitsubishi Electric FR-D700 safety stop function prevents a drive from supplying rotational energy to motors. (In this Instruction Manual, the STO (safe torque off) function specified in IEC 61800-5-2 is referred to as the safety stop function.)

Dual safety channels 'S1' and 'S2' cut off the gate-drive power for IGBT to turn off.

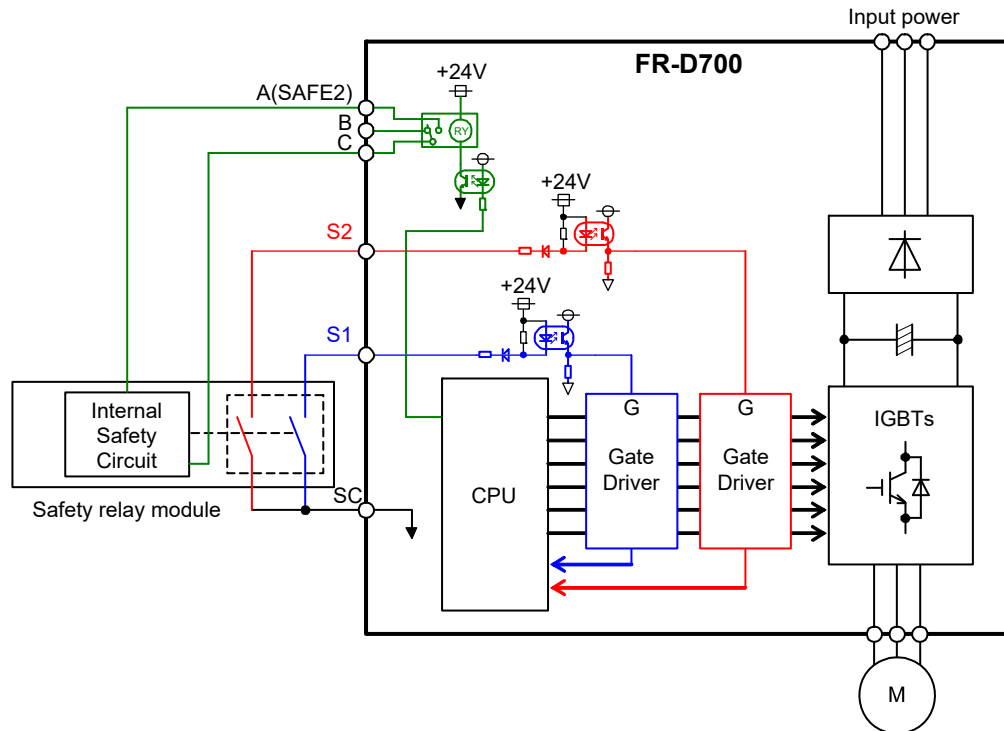


Fig.1 FR-D700 safety stop function diagram

⚠ WARNING

- The safety stop function doesn't isolate electrically between drive and motor. To avoid an electric shock hazard, disconnect power to the drive and verify that the voltage is zero before performing any work on the motor (refer to your drive's *User Manual* for discharging time).

Standards

Mitsubishi Electric FR-D700 safety stop function meets the following standards and categories.

ISO13849-1:2015 Category 3/PLd (applies to the FR-D700 manufactured in January 2012 or later)

IEC62061:2021 / IEC61800-5-2:2016 / IEC61508:2010 SIL2

IEC61800-5-2:2016 Stop category 0

⚠ WARNING

- The misuse of safety function leads to personal injury or death, property damage, or economic loss. To ensure that the system complies fully with requirement of safety, make a system-level risk assessment. Mitsubishi Electric Co. cannot assume responsibility for any system to comply with safety standards.

2. Installation and wiring

⚠ CAUTION

- The following information is merely a guide for proper installation. Mitsubishi Electric Co. cannot assume responsibility for the compliance or the noncompliance to any code, national, local or otherwise for the proper installation of this equipment. A hazard of personal injury and/or equipment damage exists if codes are ignored during installation.
- Ensure the safety relay unit and the FR-D700 unit is mounted closely in enclosure meeting IP54 and all interconnection wiring is short and protected against open and short circuit faults. Refer to EN/ISO13849-2.

Installation

Mitsubishi Electric FR-D700 safety stop function should be used under following condition and environment.

Table.1 The condition and environment for using safety stop function

Item		Condition
Temperature range	Operation	-10°C to +50°C (non-freezing)
	Storage	-20°C to +65°C
Ambient humidity		90%RH maximum (non-condensing)
Vibration		5.9m/s ² or less
Altitude		maximum 1000m
Atmosphere		Indoors (without corrosive gas, flammable gas, oil mist, dust and dirt etc.)
Over voltage category		II or less
Pollution degree		II or less
Mounting		wall mounting / vertical orientation

⚠ WARNING

- To avoid an electric shock hazard, insert the magnetic contactor (MC) between power source and drive.
- Open the contact of MC and keep away from drive for discharging time (refer to your drive's *User Manual* for information) before performing any work on the drive. Verify that the voltage on the bus capacitors has discharged before measuring the DC bus voltage at the P(+) and N(-) terminals or test points (refer to your drive's *User Manual* for locations). The voltage must be zero.

⚠ CAUTION

- In order to meet safety stop standards, an approved safety relay unit to ISO13849-1/EN954-1 safety category 3 or better shall be used in conjunction with FR-D700 as shown in example1 or 2. In addition, all other components with in the safety stop loop shall be 'safety approved' types.
- To avoid systematic faults, a test to check the operation of the safety function has to be performed in order to check the correct function of the monitor signal. This test shall be carried out at system installation, any software changes, parameterization changes, and/or at least once per year. Refer to '4. Test and checking failure'.

Wiring

The safety related terminals are described in Table.2 and Table.3

Table.2 The safety related terminals

Terminal Symbol	Description	Rating
S1	For input of safety stop channel1. S1-SC is Open: In safety stop mode. Short: Non safety stop mode.	Input resistance:4.7kΩ Current : 4 to 6 mA (In case of shorted to SC) Voltage : 21 to 26 V (In case of open from SC)
S2	For input of safety stop channel2. S2-SC is Open: In safety stop mode. Short: Non safety stop mode.	
SO (SAFE)	As output for safety stop condition. SO terminal type is 'Open collector output'. SO-SC is OFF(Open): Drive enabled, or drive shutoff (with internal circuit fault) ON(Close): Drive shutoff (no internal circuit fault) Important: SO terminal should be used for monitoring safety stop condition only. SO terminal cannot be used for safety function.	Load: 24VDC/0.1A max. Voltage drop: 3.4V max. (In case of 'ON' state)
SC	Common terminal for S1, S2, SO terminals. *SC is connected terminal SD internally.	
RUN (SAFE2)	As output for failure detection and alarm. RUN terminal type is 'Open collector output'. RUN-SE is OFF(Open): Detect failure or Alarm. ON(Close): No failure detected. Attention: To use RUN terminal for monitor output of failure detection, Pr.190 should be set to "81" (Safety monitor 2). Note: This terminal can be used for alarm or to prevent restart only, no other safety function.	Load: 24VDC/0.1A max. Voltage drop: 3.4V max. (In case of 'ON' state)
SE	Common terminal for safety RUN terminal.	
A,C (SAFE2)	As output for failure detection. A,C terminal type is 'Relay output'. A-C is OFF(Open): Detect failure or Alarm. ON(Close): No failure detected. Attention: To use A,C terminal for monitor output of failure detection, Pr.192 should be set to "81" (Safety monitor "2"). Note: This terminal can be used for alarm or to prevent restart only, no other safety function.	Load: 30VDC/0.3A max.
SD	Signal ground	

Table.3 Truth table of Safety related signals

Input power	S1-SC	S2-SC	Internal safety circuit *1	SO (SAFE)	RUN or A-C (SAFE2) *2 *3	Inverter operation state
OFF	-	-	-	OFF(Open)	OFF(Open)	Output shutoff (Safe state)
ON	Short	Short	No failure	OFF(Open)	ON(Close)	Drive enable
			Failure	OFF(Open)	OFF(Open)	Output shutoff (Safe state)
	Open	Open	No failure	ON(Close)	ON(Close)	Output shutoff (Safe state)
			Failure	OFF(Open)	OFF(Open)	Output shutoff (Safe state)
	Short	Open	N/A	OFF(Open)	OFF(Open)	Output shutoff (Safe state)
	Open	Short	N/A	OFF(Open)	OFF(Open)	Output shutoff (Safe state)

" N/A " denotes a condition where circuit fault does not apply.

*1 At an internal safety circuit fault, E.SAF or E.CPU is displayed on the operation panel. SA is displayed on the operation panel while S1 and S2 signals are both open and the safety function operates (without internal safety circuit fault).

*2 To use RUN terminal for monitor output of failure detection, Pr.190 should be set to "81" (Safety monitor 2).

*3 To use A,C terminal for monitor output of failure detection, Pr.192 should be set to "81" (Safety monitor 2).

Wire and ferrule specification

Table.4 wire and ferrule specification

Wire size (mm ²)	Ferrule with insulation sleeve *	Crimping tool name *
0.3	AI 0,34-10TQ	CRIMPFOX 6
0.5	AI 0,5-10WH	
0.75	AI 0,75-10GY	
1	AI 1-10RD	
1.25 / 1.5	AI1,5-10BK	
0.75 (combined 2 wire)	AI TWIN 2 X 0,75-10GY	

*Ferrules and tools are distributed by Phoenix Contact Co., Ltd.

Jumper cable

The jumper cable between S1,S2 and SC terminal has been installed in the factory as shown in Fig.2.

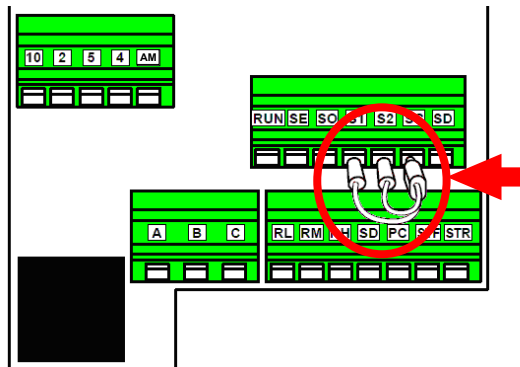


Fig.2. Short wire

Before connecting safety input wire to S1,S2 and SC terminal, remove this jumper cable.

3. Example of safety system configuration

Example 1

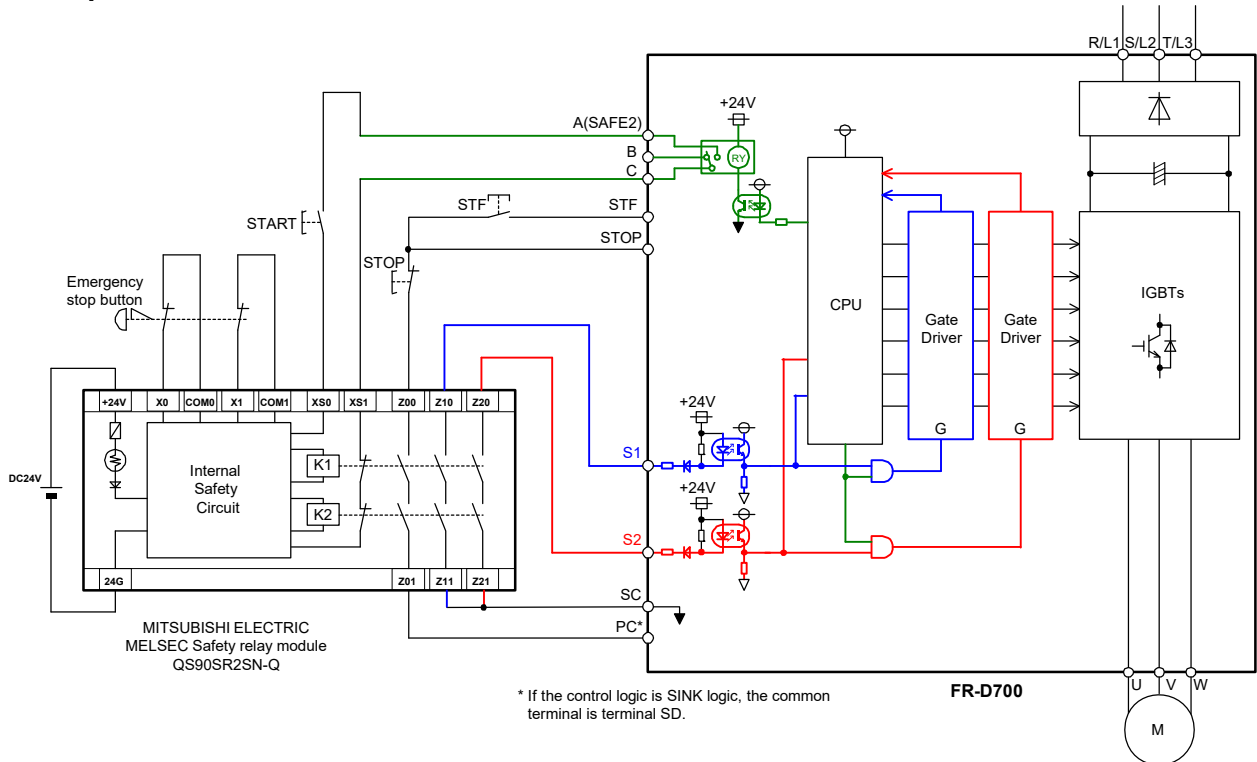


Fig.3 Safety system example 1 – STOP asynchronous with emergency stop button and fault detection through A-C output.

For safety stop, configure the wiring as shown in Fig.3 above.



NOTE

- The above wiring is configured to prevent restart in case of a fault.
- Pr.192 (A,B,C terminal function selection) must be set to "81". This setting makes the A-C output to open in case of failure.
- After the power-up of the system, to reset the safety stop mode, press the START switch, and also press the STF switch, then start the motor rotation.
- In the above configuration, after reset of emergency stop button, drive will be in safe-state until START switch is pressed.

⚠ CAUTION

- To prevent restart in case of recovering from input power loss of drive, 3-wired connection for STF/STOP control is recommended. In case of 2-wire connection and using latching type switch to short between STF and SD/PC for starting, ensure the compliance with safety requirement for the restarting when the drive recover from input power loss.

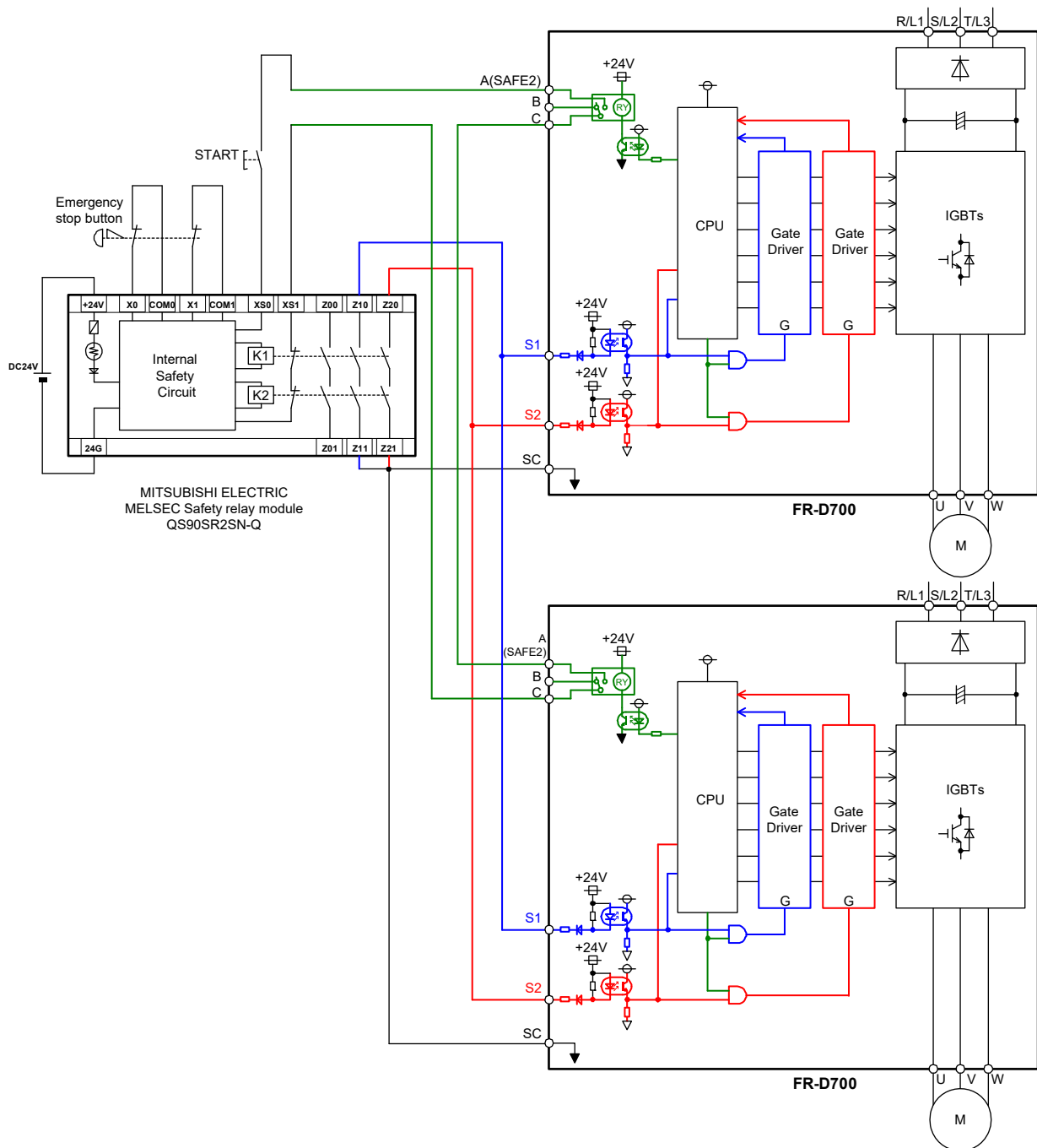


Fig.4 Example when using multiple FR-D740-EC inverters manufactured in August 2010 or later for the safety stop function



NOTE

- For Europe model:
 When using the safety stop function, do not connect the FR-D700 series manufactured in July 2010 or before together with the one manufactured in August 2010 or later. If connected together, the safety stop function may not work properly.
 When the FR-D700 series manufactured in July 2010 or before must be used together, connect an electronic component (diode) to the inverter output shutoff signals (terminal S1 and S2).
- For Japan model:
 When using the safety stop function, do not connect the FR-D700 series manufactured in December 2010 or before together with the one manufactured in January 2011 or later. If connected together, the safety stop function may not work properly.
 When the FR-D700 series manufactured in December 2010 or before must be used together, connect an electronic component (diode) to the inverter output shutoff signals (terminal S1 and S2). Refer to page 7 for the specification of the diode.
- Do not connect the FR-E700-SC/NF/NC (source logic) or the FR-D700-SC (source logic) together with the FR-D700 (sink logic). If connected together, the safety stop function does not work properly. (Refer to page 8.)

- Example when using multiple FR-D700 inverters manufactured in December 2010 or before

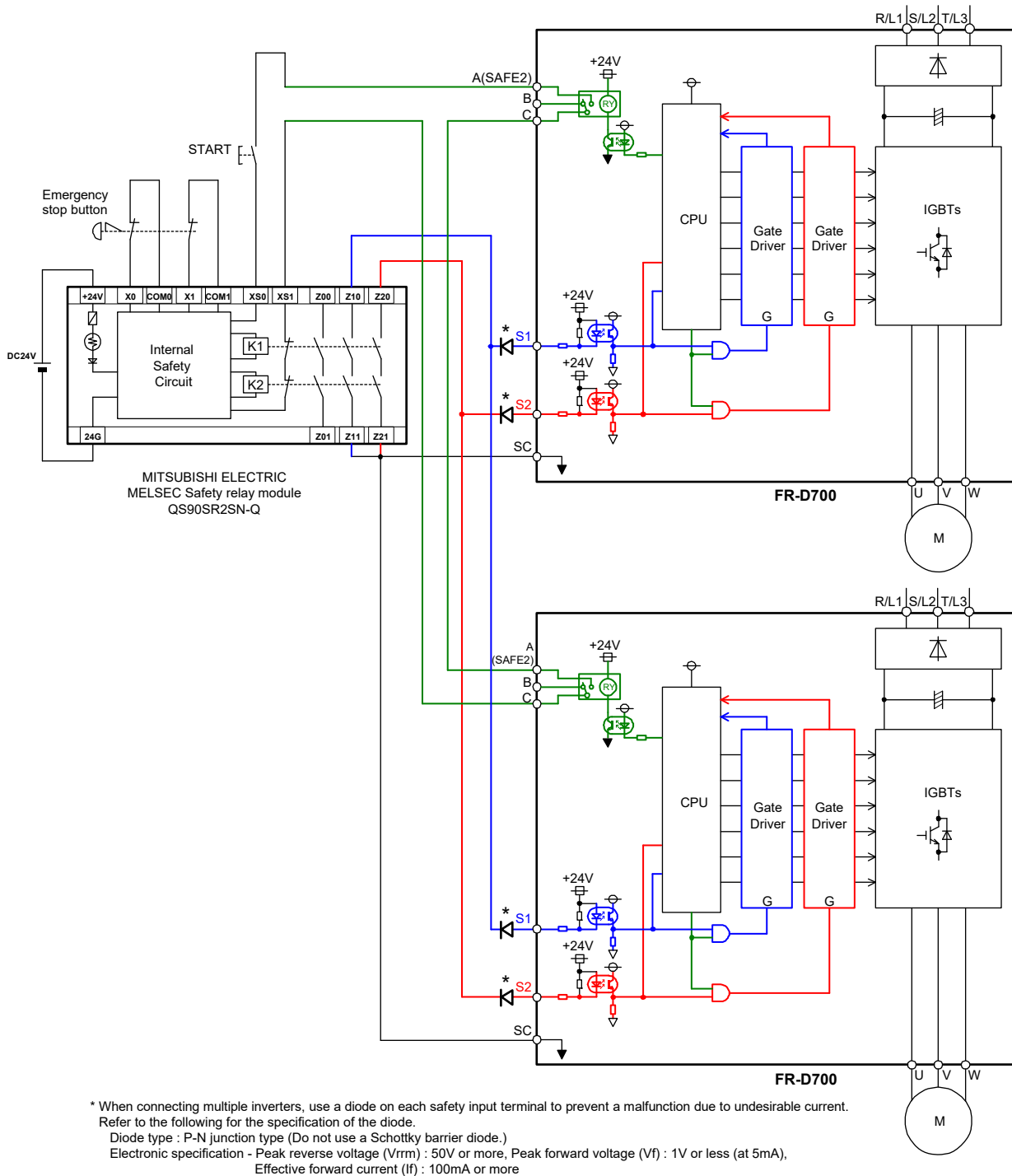


Fig.5 Example of multiple inverters connected to a safety relay unit



NOTE

- The number of inverters connected to a safety relay unit should be decided under considerations of output terminal rating of a safety relay unit.
- Do not connect the FR-E700-SC/NF/NC (source logic) or the FR-D700-SC (source logic) together with the FR-D700 (sink logic). If connected together, the safety stop function does not work properly. (Refer to page 8.)

Example 2

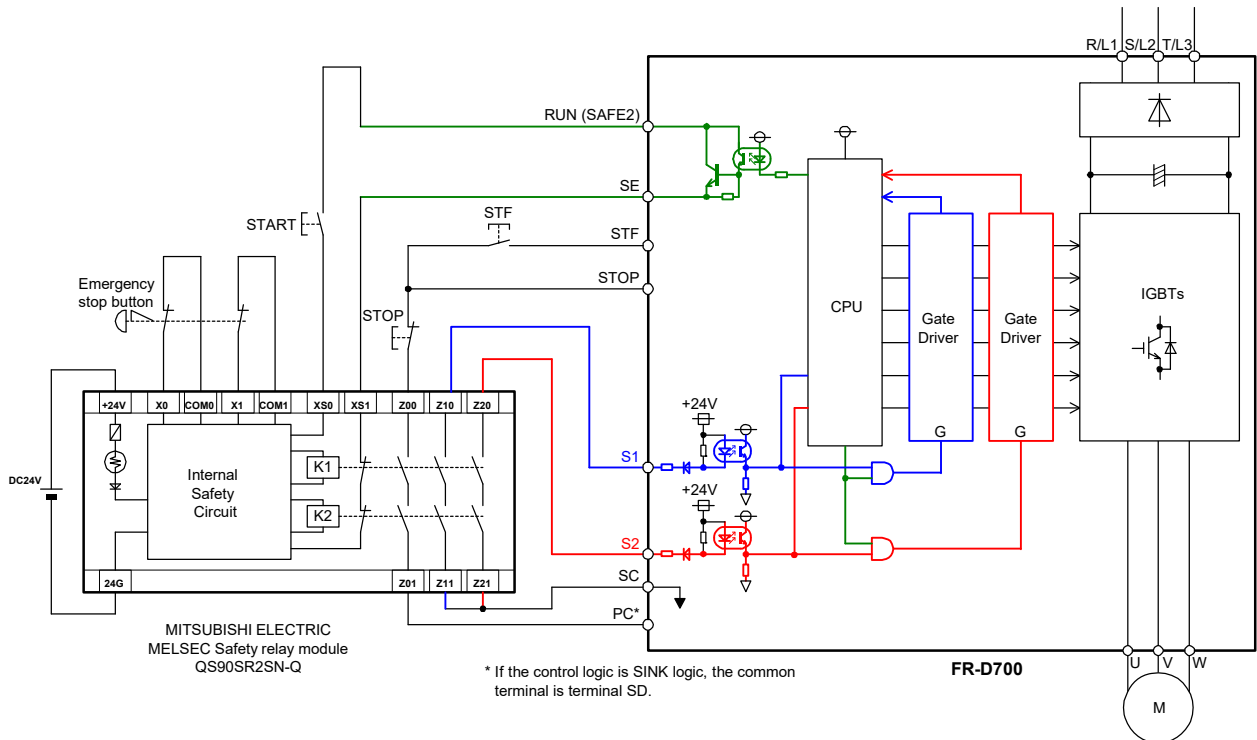


Fig.6 Safety system example 2 – STOP synchronous with emergency stop button and fault detection through RUN output.

For safety stop, configure the wiring as shown in Fig.6 above.



NOTE

- XS0 should be connected to RUN terminal and XS1 should be connected to SE, because polarity of XS0 is positive, XS1 is negative.
- Pr.190 (RUN terminal function selection) must be set to "81". This setting makes the RUN output to turn off in case of failure.
- The above wiring is configured to prevent restart in case of a fault.
- In the event of reset of 'safe-condition' the motor rotation will not occur until STF is pressed. (for normal 'non-safety' STF/STOP function, please refer to your drive's *User Manual*)
- After the power-up of the system, to reset the safety stop mode, press the START switch, and also press the STF switch, then start the motor rotation.

⚠ CAUTION

- To prevent restart in case of recovering from input power loss of drive, 3-wired connection for STF/STOP control is recommended. In case of 2-wire connection and using latching type switch to short between STF and SD/PC for starting, ensure the compliance with safety requirement for the restarting when the drive recover from input power loss.

Inverter connection

Do not connect the FR-E700-SC/NF/NC (source logic) or the FR-D700-SC (source logic) together with the FR-D700 (sink logic). If connected together, the safety stop function does not work properly.

	FR-E700-SC/NF/NC (source logic)	FR-D700-SC (source logic)	FR-D700 (sink logic)
FR-E700-SC/NF/NC (source logic)	○	○	★
FR-D700-SC (source logic)	○	○	★
FR-D700 (sink logic)	★	★	○

○: Enabled, ★: Disabled

4. Test and checking failure

⚠ CAUTION

- To avoid systematic faults, a test even for faulty demands of the safety function has to be performed in order to check the correct function of the monitor signal. This test shall be carried out at system installation, any software changes, parameterization changes, and/or at least once per year.

I/O status and failure

FR-D700 safety related I/O status obeys the following truth table.

Table.5 Truth table of Safety related signals

Input power	S1-SC	S2-SC	Internal safety circuit *1	SO (SAFE)	RUN or A-C (SAFE2) *2 *3	Inverter operation state
OFF	-	-	-	OFF(Open)	OFF(Open)	Output shutoff (Safe state)
ON	Short	Short	No failure	OFF(Open)	ON(Close)	Drive enable
			Failure	OFF(Open)	OFF(Open)	Output shutoff (Safe state)
	Open	Open	No failure	ON(Close)	ON(Close)	Output shutoff (Safe state)
			Failure	OFF(Open)	OFF(Open)	Output shutoff (Safe state)
	Short	Open	N/A	OFF(Open)	OFF(Open)	Output shutoff (Safe state)
	Open	Short	N/A	OFF(Open)	OFF(Open)	Output shutoff (Safe state)

" N/A " denotes a condition where circuit fault does not apply.

- *1 At an internal safety circuit fault, E.SAF or E.CPU is displayed on the operation panel. SA is displayed on the operation panel while S1 and S2 signals are both open and the safety function operates (without internal safety circuit fault).
- *2 To use RUN terminal for monitor output of failure detection, Pr.190 should be set to "81" (Safety monitor 2).
- *3 To use A,C terminal for monitor output of failure detection, Pr.192 should be set to "81" (Safety monitor 2).

In case of diagnostic or functionality test, check the I/O state whether it is same or not as Table.5.

Diagnostic

If the failure detected, FR-D700 output alarm signal and indicate 'E.SAF' at the display.

In case of FR-D700 output the alarm, please take following action.

- (1) Check the S1-SC and S2-SC input signal logic is the same. If these are different logic, correct the input signal and reset the FR-D700.
- (2) Disconnect the wire from S1, S2, SC terminal, then reset or power-off and on, If the 'SA' letter is flashed up at display, there is failure in system except FR-D700. But, still 'E.SAF' is displayed and alarm output, there is malfunction on FR-D700.

Self diagnostic test

FR-D700 does the self-diagnostic test on the power-ON.

If FR-D700 output alarm at power-ON, please take the action described in 'Diagnostic' at above.

Test procedure for functionality

As depicted 'ATTENTION' in above, the test for the functionality is important.

Please do the test following procedure.

- (1) Please make each state of S1-SC and S2-SC depicted at Table.5.
- (2) If there is any different state from Table.5, FR-D700 has some malfunction.
- (3) If there is no different state from Table.5, check the systematic performance, such as, press the Emergency switch, press the start/restart button at the failure detected (RUN-SE opened), and so on.
- (4) Finally clear the error record of the FR-D700 (see the user manual how to clear the error record).

5. Safety parameters of FR-D700

FR-D700 safety related I/O status obeys the following truth table.

Table.6 Safety parameters of FR-D700

Parameter	Value
PFD _{AVG}	2.5×10^{-4}
PFH _D	2.5×10^{-9}
PL	d
MTTF _D	500 years
DC _{AVG}	60%

REVISIONS

Revision Date	Manual Number	Revision
Aug. 2009	BCN-A211508-000-C	First edition
Dec. 2009	BCN-A211508-000-D	<u>Edited</u> Example of Safety stop connection
Jan. 2010	BCN-A211508-000-E	<u>Added</u> Diode specification for multiple connection
Jul. 2010	BCN-A211508-000-F	<u>Added</u> Example of multiple connection
Jan. 2012	BCN-A211508-000-G	<u>Edited</u> Conformance to ISO13849-1
Jul. 2013	BCN-A211508-000-H	<u>Added</u> Contact information on the back cover
Sep. 2015	BCN-A211508-000-J	<u>Edited</u> Safety parameters
Oct. 2023	BCN-A211508-000-K	<u>Edited</u> <ul style="list-style-type: none"> • Functional safety standards • Safety parameters

HEADQUARTERS

Mitsubishi Electric Europe B.V. **EUROPE**
 Mitsubishi-Electric-Platz 1
D-40882 Ratingen
 Phone: +49 (0)2102 / 486-0
 Fax: +49 (0)2102 / 486-1120

Mitsubishi Electric Europe B.V. **CZECH REP.**
 Pekařská 621/7
CZ-155 00 Praha 5
 Phone: +420 255 719 200
 Fax: +420 251 551 471

Mitsubishi Electric Europe B.V. **FRANCE**
 25, Boulevard des Bouvets
F-92741 Nanterre Cedex
 Phone: +33 (0)1 / 55 68 55 68
 Fax: +33 (0)1 / 55 68 57 57

Mitsubishi Electric Europe B.V. **IRELAND**
 Westgate Business Park, Ballymount
IRL-Dublin 24
 Phone: +353 (0)1 4198800
 Fax: +353 (0)1 4198890

Mitsubishi Electric Europe B.V. **ITALY**
 Viale Colleoni 7 Palazzo Sirio
I-20864 Agrate Brianza (MB)
 Phone: +39 039 / 60 53 1
 Fax: +39 039 / 60 53 312

Mitsubishi Electric Europe B.V. **NETHERLANDS**
 Nijverheidsweg 23C
NL-3641RP Mijdrecht
 Phone: +31 (0) 297 250 350

Mitsubishi Electric Europe B.V. **POLAND**
 ul. Krakowska 50
PL-32-083 Balice
 Phone: +48 (0) 12 347 65 00
 Fax: +48 (0) 12 630 47 01

Mitsubishi Electric (Russia) LLC **RUSSIA**
 2 bld. 1, Letnikovskaya st.
RU-115114 Moscow
 Phone: +7 495 / 721 2070
 Fax: +7 495 / 721 2071

Mitsubishi Electric Europe B.V. **SPAIN**
 Carretera de Rubí 76-80 Apdo. 420
E-08190 Sant Cugat del Vallés (Barcelona)
 Phone: +34 (0) 93 / 5653131
 Fax: +34 (0) 93 / 5891579

Mitsubishi Electric Europe B.V. (Scandinavia) **SWEDEN**
 Hedvig Möllers gata 6,
SE- 223 55 Lund
 Phone: +46 (0) 8 625 10 00

Mitsubishi Electric Turkey Elektrik Ürünleri A.Ş. **TURKEY**
 Fabrika Otomasyonu Merkezi
 Şerifali Mahallesi Nutuk Sokak No.5
TR-34775 Ümraniye-İSTANBUL
 Phone: +90 (216) 969 25 00
 Fax: +90 (216) / 526 39 95

Mitsubishi Electric Europe B.V. **UK**
 Travellers Lane
UK-Hatfield, Herts. AL10 8XB
 Phone: +44 (0)1707 / 28 87 80
 Fax: +44 (0)1707 / 27 86 95

Mitsubishi Electric Europe B.V. **UAE**
 Dubai Silicon Oasis
United Arab Emirates - Dubai
 Phone: +971 4 3724716
 Fax: +971 4 3724721

Mitsubishi Electric Corporation **JAPAN**
 Tokyo Building 2-7-3
 Marunouchi, Chiyoda-ku
Tokyo 100-8310
 Phone: +81 (3) 3218-2111
 Fax: +81 (3) 3218-2185

Mitsubishi Electric Automation, Inc. **USA**
 500 Corporate Woods Parkway
Vernon Hills, IL 60061
 Phone: +1 (847) 478-2100
 Fax: +1 (847) 478-0328

EUROPEAN REPRESENTATIVES

GEVA **AUSTRIA**
 Wiener Straße 89
A-2500 Baden
 Phone: +43 (0)2252 / 85 55 20
 Fax: +43 (0)2252 / 488 60

OOO TECHNIKON **BELARUS**
 Prospect Nezavisimosti 177-9
BY-220125 Minsk
 Phone: +375 (0)17 / 393 1177
 Fax: +375 (0)17 / 393 0081

INEA RBT d.o.o. **BOSNIA AND HERZEGOVINA**
 Stegne 11
SI-1000 Ljubljana
 Phone: +386 (0)1/ 513 8116
 Fax: +386 (0)1/ 513 8170

AKHNATON **BULGARIA**
 4, Andrei Ljapchev Blvd., PO Box 21
BG-1756 Sofia
 Phone: +359 (0)2 / 817 6000
 Fax: +359 (0)2 / 97 44 06 1

INEA CR **CROATIA**
 Losinjska 4 a
HR-10000 Zagreb
 Phone: +385 (0)1 / 36 940 - 01 / -02 / -03
 Fax: +385 (0)1 / 36 940 - 03

AutoCont C. S. S.R.O. **CZECH REPUBLIC**
 Karkova 1853/3
CZ-702 00 Ostrava 2
 Phone: +420 595 691 150
 Fax: +420 595 691 199

HANS FØLSGAARD A/S **DENMARK**
 Theilgaardsgade 1
DK-4600 Køge
 Phone: +45 4320 8600
 Fax: +45 4396 8855

Electrobit OÜ **ESTONIA**
 Pärnu mnt. 160i
EST-11317, Tallinn
 Phone: +372 6518 140

UTU Automation Oy **FINLAND**
 Peltotie 37i
FIN-28400 Uusikaipi
 Phone: +358 (0)207 / 463 500
 Fax: +358 207 / 463 501

UTEKO A.B.E.E. **GREECE**
 5, Mavrogenous Str.
GR-18542 Piraeus
 Phone: +30 (0)211 / 1206-900
 Fax: +30 (0)211 / 1206-999

MELTRADE Kft. **HUNGARY**
 Fertő utca 14.
HU-1107 Budapest
 Phone: +36 (0)1 / 431-9726
 Fax: +36 (0)1 / 431-9727

OAK Integrator Products SIA **LATVIA**
 Rītausmas iela 23
LV-1058 Rīga
 Phone: +371 67842280

Automatikos Centras, UAB **LITHUANIA**
 Neries krantinė 14A-101
LT-48397 Kaunas
 Phone: +370 37 262707
 Fax: +370 37 455605

ALFATRADE Ltd. **MALTA**
 99, Paola Hill
Malta-Paola PLA 1702
 Phone: +356 (0)21 / 697 816
 Fax: +356 (0)21 / 697 817

EUROPEAN REPRESENTATIVES

INTEHSIS SRL **MOLDOVA**
 bld. Traian 23/1
MD-2060 Kishinev
 Phone: +373 (0)22 / 66 4242
 Fax: +373 (0)22 / 66 4280

Fonseca S.A. **PORTUGAL**
 R. João Francisco do Casal 87/89
PT-3801-997 Aveiro, Esgueira
 Phone: +351 (0)234 / 303 900
 Fax: +351 (0)234 / 303 910

SIRIUS TRADING & SERVICES SRL **ROMANIA**
 Aleea Lacul Morii Nr. 3
RO-060841 Bucuresti, Sector 6
 Phone: +40 (0)21 / 430 40 06
 Fax: +40 (0)21 / 430 40 02

INEA SR d.o.o. **SERBIA**
 Ul. Karadjordjeva 12/217
SER-11300 Smederevo
 Phone: +386 (026) 461 54 01

SIMAP SK (Západné Slovensko) **SLOVAKIA**
 Dolné Pažite 603/97
SK-911 06 Trenčín
 Phone: +421 (0)32 743 04 72
 Fax: +421 (0)32 743 75 20

INEA RBT d.o.o. **SLOVENIA**
 Stegne 11
SI-1000 Ljubljana
 Phone: +386 (0)1 / 513 8116
 Fax: +386 (0)1 / 513 8170

OMNI RAY AG **SWITZERLAND**
 Im Schörl 5
CH-8600 Dübendorf
 Phone: +41 (0)44 / 802 28 80
 Fax: +41 (0)44 / 802 28 28

CSC- AUTOMATION Ltd. **UKRAINE**
 4 B, Yevhena Sverstyuka Str.
UA-02002 Kiev
 Phone: +380 (0)44 / 494 33 44
 Fax: +380 (0)44 / 494-33-66

EURASIAN REPRESENTATIVES

TOO Kazpromavtomatika **KAZAKHSTAN**
 UL. ZHAMBYLA 28,
KAZ-100017 Karaganda
 Phone: +7 7212 / 50 10 00
 Fax: +7 7212 / 50 11 50

MIDDLE EAST REPRESENTATIVE

EIM Energy **EGYPT**
 3 Roxy Square
ET-11341 Heliopolis, Cairo
 Phone: +202 24552559
 Fax: +202 245266116

SHERF Motion Techn. Ltd. **ISRAEL**
 Rehov Hamerkava 19
IL-58851 Holon
 Phone: +972 (0)3 / 559 54 62
 Fax: +972 (0)3 / 556 01 82

CEG LIBAN **LEBANON**
 Cebaco Center/Block A Autostrade DORA
Lebanon-Beirut
 Phone: +961 (0)1 / 240 445
 Fax: +961 (0)1 / 240 193

AFRICAN REPRESENTATIVE

ADROIT TECHNOLOGIES **SOUTH AFRICA**
 20 Waterford Office Park 189 Witkoppen Road
ZA-Fourways
 Phone: + 27 (0)11 / 658 8100
 Fax: + 27 (0)11 / 658 8101

MITSUBISHI ELECTRIC CORPORATION

HEAD OFFICE: TOKYO BUILDING 2-7-3, MARUNOUCHI, CHIYODA-KU, TOKYO 100-8310, JAPAN