

CL2TE-10S Spring Clamp Type Common Terminal Block

CC-Link/LT

MODEL	CL2TE-10S-U
MODEL CODE	13JP33
IB(NA)-0800265-D (1806)	

© 2003 MITSUBISHI ELECTRIC CORPORATION

Thank you for purchasing this product.

Prior to use, please read this manual thoroughly to fully understand the product.

1. Overview

This manual provides the information of cautions when handling CL2TE-10S spring clamp type common terminal block (hereinafter referred to as CL2TE-10S).

The CL2TE-10S is a device that is used on a remote I/O terminal block type module to increase common terminals. It is compatible with a 3-wire sensor.

In addition, as the CL2TE-10S uses spring clamp, retightening is no longer required. This can drastically reduce the wiring steps.

Make sure to read the CC-Link/LT Remote I/O module user's manual to ensure the proper use of this product.

2. Applicable models

The CL2TE-10S is applicable for CL2X8-D1S2 remote I/O terminal block type module.

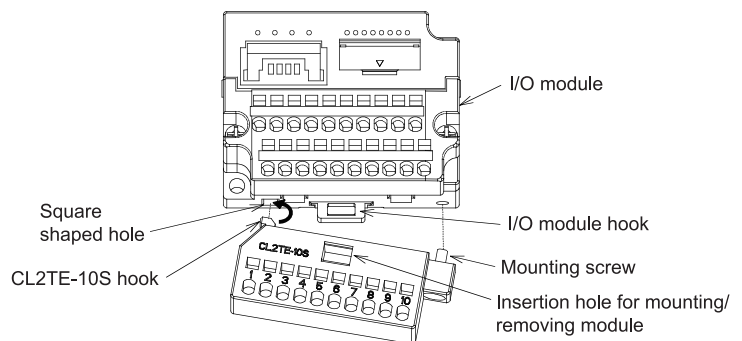
3. Specifications

Item	Specifications
Applicable wire size	0.3 to 1.5 mm ² (AWG22 to 16)
Wire strip length	8 to 11 mm
Terminal block mounting screw tightening torque range (M3 screw)	0.425 to 0.575 N•m
Weight	0.03 kg

4. CL2TE-10S mounting procedure

Insert the CL2TE-10S hook into a square shaped hole of I/O module in an oblique direction, and then tighten the terminal block mounting screw within the specified torque range.

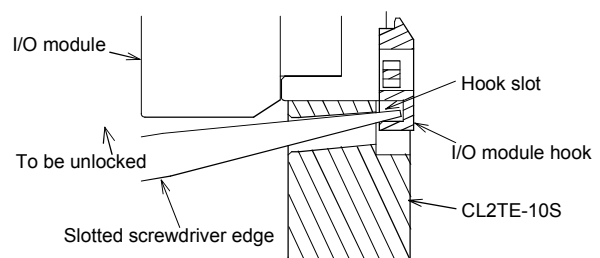
If the I/O module has been installed in a control panel, remove it from the control panel and then start mounting the common terminal block as mentioned above.



5. Precautions when removing I/O module

When removing the I/O module mounted with the CL2TE-10S from a DIN rail, make sure to insert the slotted screwdriver edge into the hook slot situated at the module, which releases the lock.

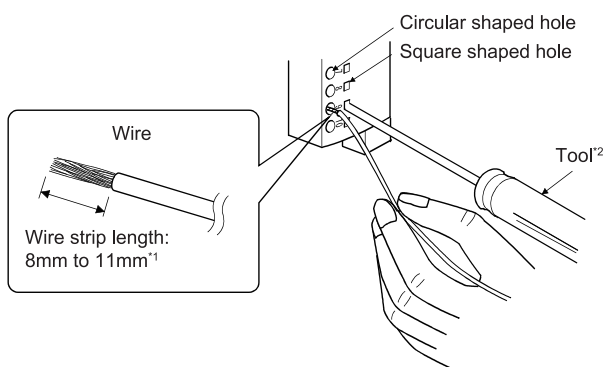
Do not insert into other than the hook slot, as this may damage the module or CL2TE-10S.



6. Cable mounting procedure

(1) Mounting cable

Insert the tool into the square shaped hole, which corresponds to the terminal you wish to use. While the tool is inside the hole, insert the wire into the circular shaped hole (as shown below). Remove the tool from the square shaped hole, taking care not to remove the wire. After the wire has been clamped, gently pull the wire to confirm that it is secure.



*1: Please take care that the wire strip length is between 8mm to 11mm.

If the wire strip length is too long, this will expose the bare wire, which increases the risk of electric shock of short circuit.

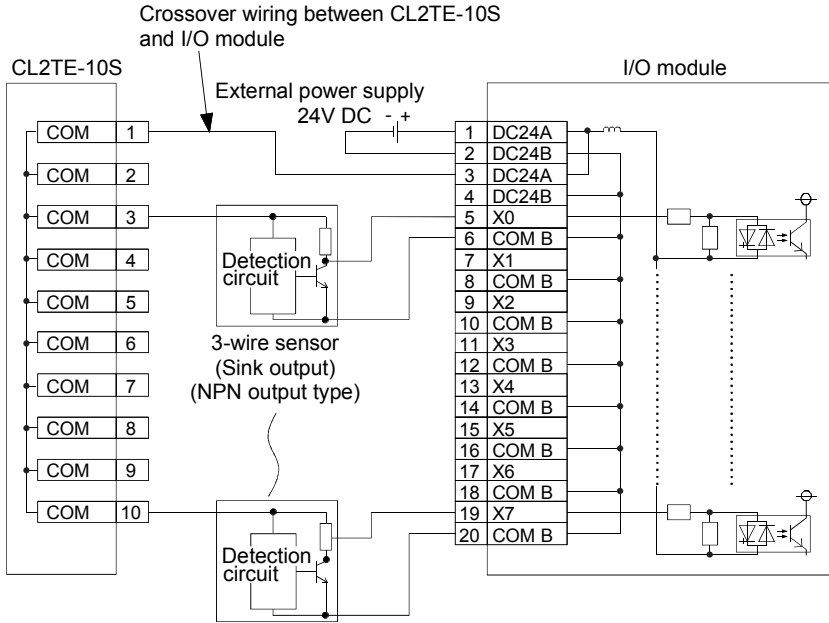
If the wire strip length is too short, this will result in the wire not being securely attached.

*2: When mounting/removing the cable, make sure to use the dedicated tool, i.e., a tool dedicated to spring clamp terminal block, and insert the tool vertically into the hole. If a general slotted screwdriver is used instead of the dedicated tool, or the tool is not vertically inserted, the spring clamp terminal part or terminal block resin part might be broken.

(2) Removing cable

Insert the tool into the corresponding square shaped hole until it stops, which releases the clamp. Gently pull the wire out of the hole completely, remembering to keep the tool firmly inside the hole.

7. External connection (wiring example)



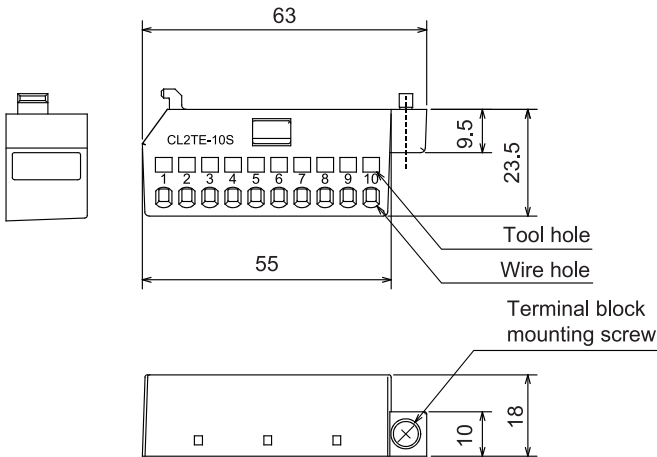
CL2TE-10S	
Pin No.	Signal name
1	COM
2	COM
3	COM
4	COM
5	COM
6	COM
7	COM
8	COM
9	COM
10	COM

Connection target I/O module
CL2X8-D1S2 (as reference)

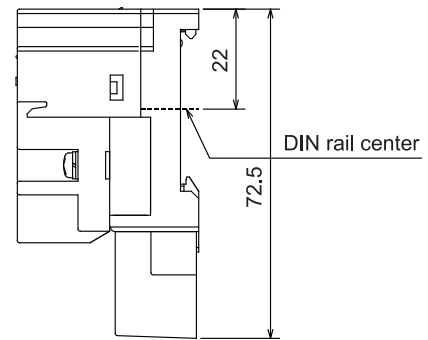
A crossover wiring is required between a CL2TE-10S and I/O module. For signal names, which correspond to the terminal No. used to connect to external devices, refer to the user's manual of the module.

8. External dimensions

CL2TE-10S



When mounted to module (example: CL2X8-D1S2)



Unit: mm

MITSUBISHI ELECTRIC CORPORATION

HEAD OFFICE : TOKYO BUILDING, 2-7-3 MARUNOUCHI, CHIYODA-KU, TOKYO 100-8310, JAPAN
NAGOYA WORKS : 1-14, YADA-MINAMI 5-CHOME, HIGASHI-KU, NAGOYA, JAPAN