

# CL1XY4-DT1B2 CC-Link/LT Remote I/O Module

Please read this manual thoroughly before starting to use the product and handle the product properly.

## User's Manual

MODEL	CL1XY4-DT1B2
MANUAL Number	JY997D05601J
Date	November 2021

### CC-Link/LT

#### SAFETY PRECAUTIONS

(Read these precautions before using)  
 Please read this manual carefully and pay special attention to safety in order to handle this product properly. Also pay careful attention to safety and handle the module properly. These precautions apply only to Mitsubishi equipment. Refer to the user's manual of the CPU module to use for a description of the PLC system safety precautions. These SAFETY PRECAUTIONS classify the safety precautions into two categories: "WARNING" and "CAUTION".

#### WARNING

Procedures which may lead to a dangerous condition and cause death or serious injury if not carried out properly.

#### CAUTION

Procedures which may lead to a dangerous condition and cause superficial to medium injury, or physical damage only, if not carried out properly.

Depending on circumstances, procedures indicated by CAUTION may also be linked to serious results. In any case, it is important to follow the directions for usage. Store this manual in a safe place so that you can take it out and read it whenever necessary. Always forward it to the end user.

#### DESIGN PRECAUTIONS

#### WARNING

Configure an interlock circuit in a sequence program so that the system operates on the safety side using the communication status information in the event the data link falls into a communication problem. Otherwise, erroneous output and malfunction may result in accidents. Remote input and output can not be switched ON or OFF when a problem occurs in the remote I/O modules. Therefore build an external monitoring circuit that will monitor any input signals that could cause a serious accident.

#### CAUTION

Do not have control cables and communication cables bundled with or placed near by the main circuit and/or power cables. Wire those cables at least 100mm(3.94 inch) away from the main circuit and/or power cables. It may cause malfunction due to noise interference. Use the module and the flat cable dedicated to CC-Link/LT without applying any force on them. Otherwise, such cables may be broken or fail.

#### INSTALLATION PRECAUTIONS

#### CAUTION

Use the module in an environment that meets the general specifications contained in this manual. Using this module in an environment outside the range of the general specifications could result in electric shock, fire, erroneous operation, and damage to or deterioration of the product. Do not directly touch the module's conductive parts. Doing so could cause malfunction or trouble in the module. Tighten the module securely using DIN rail or installation screws within the specified torque range. If the screws are too loose, the module may drop from its installation position, short circuit, or malfunction. If the screws are too tight, the screws may be damaged, which may cause the module to drop from its installation position or short circuit. Install the module on a flat surface. If the mounting surface has concave and/or convex, an excessive force may be applied on the module, and nonconformity may be caused.

#### WIRING PRECAUTIONS

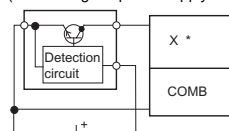
#### WARNING

Perform installation and wiring after disconnecting the power supply at all phases externally. If the power is not disconnected at all phases an electric shock or product damage may result.

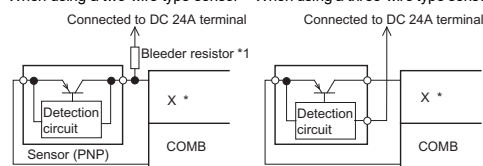
#### CAUTION

Terminal screws which are not to be used must be tightened always. Otherwise there will be a danger of short circuit against the bare solderless terminals. Do not perform wiring to an idle terminal "NC" outside the product. The product may be damaged by such external wiring. Perform correct wiring for the module according to the product's rated voltage and terminal arrangement. Connecting to a power supply different from rating or miss-wiring may cause fire, product failure or malfunction. Fix terminal screws securely within the regulated torque. Loose terminal screws may cause fire and/or malfunction. If the terminal screws are too tight, it may cause short circuit, equipment failures, or erroneous operation due to damage of the screws.

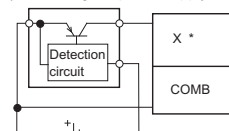
When using a three-wire type sensor (when using the power supply for sensor other than 24V DC)



Negative common (PNP)  
 When using a two-wire type sensor • When using a three-wire type sensor

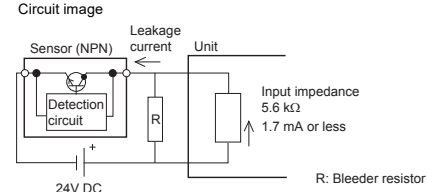


When using a three-wire type sensor (when using the power supply for sensor other than 24V DC)



Replace \* in the figure with the used input No.

Notes:  
 \*1 Bleeder resistor  
 When connecting a two-wire type sensor or input equipment containing a parallel resistor, select a sensor or equipment whose leakage current is 1.7mA or less. If the leakage current is more than 1.7mA, connect a bleeder resistor obtained in the following calculation formula.



$$R(k\Omega) < 1.7(mA) / \text{Leakage current}(mA) - 1.7(mA) \times 5.6(k\Omega)$$

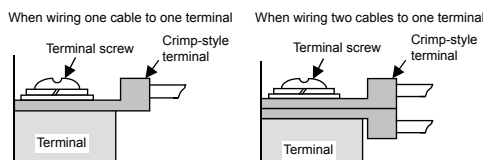
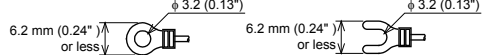
$$\text{The power capacity } W \text{ of the bleeder resistor } R \text{ is as follows:}$$

$$W = (\text{Input voltage})^2 / R$$

Make sure that both the ON and OFF time of the input signal are 1.5ms or more.

#### 4.3 Crimp-style terminal

For I/O wiring, use crimp-style terminals of the following dimensions.



Applicable crimp-style terminal	• RAV1.25-3 • V1.25-3 (manufactured by JST Mfg. Co., Ltd.) • 1.25-3 and TG1.25-3 (manufactured by NICHIFU Co., Ltd.)
Applicable wire size	0.3 to 1.25 mm <sup>2</sup>

Use a crimp-style terminal in a status in which no force is applied on the cable.

#### CAUTION

Make sure foreign objects do not get inside the module, such as dirt and wire chips. It may cause fire, product failure or malfunction.  
 Attach a warning label (hazard symbol 417-IEC-5036) concerning the electric shock to the location.

#### STARTING AND MAINTENANCE PRECAUTIONS

#### WARNING

Do not touch the terminals when the power is ON. It may cause an electric shock or malfunction.  
 Perform cleaning the module or retightening of terminal screws after turning OFF the all external power supply for sure. Failure to do so may cause failure or malfunction of the modules.

#### CAUTION

Do not disassemble or modify the module. Doing so may cause failure, malfunction, injury, or fire.  
 The module case is made of resin; do not drop it or subject it to strong shock. A module damage may result.  
 Make sure to switch all phases of the external power supply OFF before installing or removing the module to/from the panel. Failure to do so may cause failure or malfunction of the modules.

#### DISPOSAL PRECAUTIONS

#### CAUTION

When disposing of this product, treat it as industrial waste.

#### TRANSPORTATION AND MAINTENANCE PRECAUTIONS

#### CAUTION

During transportation avoid any impact as the module is a precision instrument. Doing so could cause trouble in the module.  
 It is necessary to check the operation of module after transportation, in case of any impact damage.

#### Compliance with EC directive (CE marking)

This notification does not guarantee that an entire mechanical module produced in accordance with the contents of the notification comply with the following standards. Compliance to EMC directive of the entire mechanical module should be checked by the user / manufacturer.

#### Attention

This product is designed for use in industrial applications.

**Standards with which this product complies**  
 Type : Programmable Controller (Open Type Equipment) Remote I/O module  
 Models : Products manufactured:  
 from February 1st, 2003 to April 30th, 2006 are compliant with EN61000-6-4 and EN61131-2:1994+A11:1996+A12:2000  
 after May 1st, 2006 are compliant with EN61131-2:2007

Electromagnetic Compatibility Directive (EMC)	Remark
EN61000-6-4:2001 Electromagnetic compatibility -Generic standards - Emission standard for Industrial environment	Compliance with all relevant aspects of the standard. (Radiated Emissions and Mains Terminal Voltage Emissions)
EN61131-2:1994/A11:1996/A12:2000 Programmable controllers -Equipment requirements and tests	Compliance with all relevant aspects of the standard. • Radiated electromagnetic field • Fast transient burst • Electrostatic discharge • Damped oscillatory wave
EN61131-2:2007 Programmable controllers -Equipment requirements and tests	Compliance with all relevant aspects of the standard. • Radiated Emission • Conducted Emission • Radiated electromagnetic field • Fast transient burst • Electrostatic discharge • High-energy surge • Voltage drops and interruptions • Conducted RF • Power frequency magnetic field

Notes For compliance to EMC Directive  
 It is necessary to install the CL1 series module in a shielded metal control panel.

For more details, please contact the local Mitsubishi Electric sales site.  
 Use this product in Zone A<sup>1</sup> as defined in EN61131-2.  
 \*1 Zone defined in EN61131-2  
 Separation defined in EN61131-2 for EMC LVD regulation decided depending on condition in industrial setting.  
 Zone C = Factory mains which is isolated from public mains by dedicated transformers.  
 Zone B = Dedicated power distribution which is protected by secondary surge protection. (300V or less in the rated voltage is assumed.)  
 Zone A = Local power distribution which is isolated from dedicated power distribution by AC/DC converters, isolation transformers, etc. (120V or less in the rated voltage is assumed.)

#### Compliance with UKCA marking

The requirements for compliance with UKCA marking are the same as that with EC directive (CE marking).

#### 4.4 Module terminal screw

Tighten the terminal screws (M3 screws) on the terminal block with a tightening torque of 0.42 to 0.58 N·m. Do not tighten terminal screws with a torque outside the above-mentioned range. Failure to do so may cause short circuit, equipment failures, or malfunctions.

#### 5. Specifications

##### 5.1 General specifications

Item	Specification	
Operating ambient temperature	0 to 55°C (32 to 131°F)	
Storage ambient temperature	-25 to 75°C (-13 to 167°F)	
Operating ambient humidity	5 to 95%RH: Dew condensation shall not be considered.	
Storage ambient humidity	5 to 95%RH: Dew condensation shall not be considered.	
Vibration resistance (*1)	When intermittent vibration is present	
	Frequency Acceleration Half amplitude	Number of times of sweep
	10 to 57Hz 9.8m/s <sup>2</sup> - 0.075mm	10 times in each of X, Y and Z directions (for 80 min)
57 to 150Hz 4.9m/s <sup>2</sup> -		
Shock resistance (*1)	When continuous vibration is present	10 times in each of X, Y and Z directions (for 80 min)
	Frequency Acceleration Half amplitude	
	10 to 57Hz 4.9m/s <sup>2</sup> - 0.035mm	
Operating ambient	Corrosive gas shall not be present.	
Operating altitude	2,000m(6561'8") or less (*2)	
Installation location	Inside control panel (*3)	
Over-voltage category	II or less (*4)	
Pollution level	2 or less (*5)	

Notes:  
 \*1 The criterion is shown in IEC61131-2.  
 \*2 The module cannot be used in an environment pressurized above the atmospheric pressure which can be generated around the altitude of 0 m. If the module is used in such an environment, it may fail.  
 \*3 The module can be used in any environment even outside the control panel as far as the requirements of the ambient operating temperature, the ambient operating humidity, etc. are satisfied.  
 \*4 This indicates the section of the power supply to which the equipment is assumed to be connected between the public electrical power distribution network and the machinery within premises. Category II applies to equipment for which electrical power is supplied from fixed facilities. The surge voltage withstand level for up to the rated voltage of 300V is 2500V.  
 \*5 This index indicates the degree of conductive generating substances in the environment in which the module is used. The degree of contamination 2 indicates that contamination is caused by generation of only non-conductive substances.  
 In this degree, however, temporary conduction may be caused by accidental condensation.

##### 5.2 Input specifications

Item	Specification
Input method	DC input (external I/O power supply)
Number of inputs	2 points
Isolation method	Isolation with photocoupler
Rated input voltage	24V DC
Rated input current	Approx. 4 mA
Operating voltage range	20.4 to 28.8V DC (24V DC -15% to +20%) Ripple ratio: Within 5%
Max. simultaneous ON input points	100% (at 24V DC)
ON voltage/ON current	19 V or more/3 mA or more
OFF voltage/OFF current	11 V or less/1.7 mA or less
Input resistance	5.6 kΩ
Response time	OFF→ON 1.5 ms or less (at 24V DC) ON→OFF 1.5 ms or less (at 24V DC)
Common wiring method	2 points/1 common (2 points) (terminal block two-wire type)

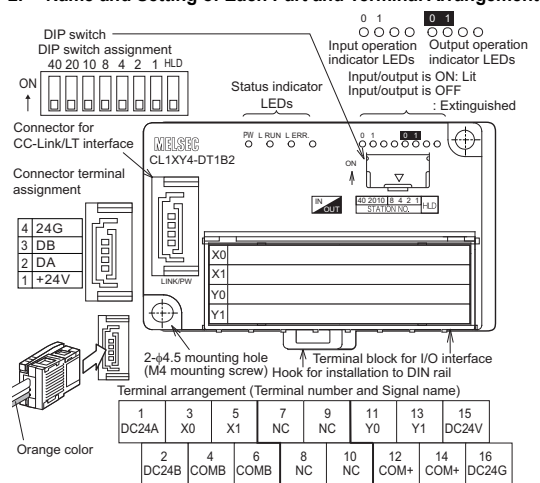
##### 5.3 Output specifications

Item	Specification
Output method	Transistor output (external I/O power supply) (sink)
Number of outputs	2 points

#### 1. Outline of Product

This product is a terminal block type composite I/O module connected to CC-Link/LT.  
 This product has four input points (24 VDC) and four output points (transistor output).

#### 2. Name and Setting of Each Part and Terminal Arrangement



Name	Description
PW	ON while the power is supplied.
	L RUN ON while normal operation is executed.
Status indicator LEDs	ON: When a communication error or DIP switch setting error occurred Fllickering at a constant interval: When the setting of the DIP switch was changed while the power was supplied (even while the LED is flickering, the operation continues. The new setting becomes valid when the power is turned OFF once, then ON again.) Fllickering at an intermittent interval: When a terminal resistor is not attached or when the module or a connection cable is affected by noise
	L ERR. ON: Lit Input/output is OFF Input/output is ON: Extinguished
I/O operation indicator LEDs	ON while the input or output is ON. Extinguished while the input or output is OFF.
Connector for CC-Link/LT interface	Connector for CC-Link/LT communication line/module power supply (24G/DB/DA/+24V)
Terminal block for I/O interface	Terminal block to connect input signals, output signals, I/O power supply and load power supply
Station number setting switches	Set the 10's digit of the station No. using "STATION NO. 10", "STATION NO. 20" and "STATION NO. 40". Set the 1's digit of the station No. using "STATION NO. 1", "STATION NO. 2", "STATION NO. 4" and "STATION NO. 8". Factory default = All bits are OFF. Make sure to set the station No. in the range from 1 to 64. If any station No. outside the range from 1 to 64 is set, it is regarded as an error and the L.ERR. LED lights. Example: When setting the station No. to "32", set the DIP switch as follows.
Response time setting switch	HLD Holds the output (when an error has occurred). ON: Holds the output. OFF: Clears the output.

#### 3. Installation

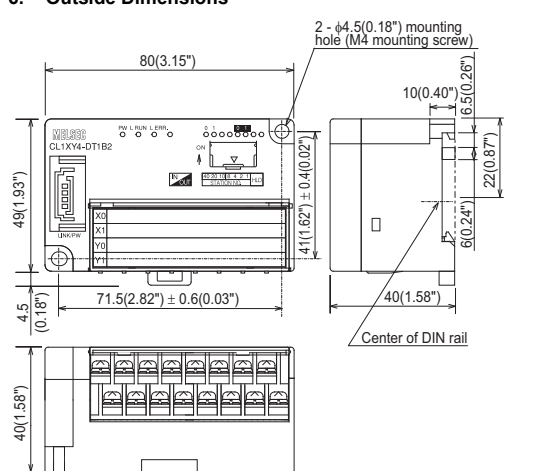
The CL1XY4-DT1B2 can be installed to DIN rail or directly installed using mounting screws.  
 Each installation procedure is described below.

Item	Specification
Isolation method	Isolation with photocoupler
Rated load voltage	12/24V DC
Operating load voltage range	10.2 to 28.8V DC (Ripple ratio: Within 5%)
Max. load current	0.1A/point, 0.4A/1common
Max. inrush current	0.4A/10 ms
Leakage current at OFF	0.1mA or less/30V DC
Max. voltage drop at ON	0.3V or less (typical)/0.1A 0.6V or less (max.)/0.1A
Response time	OFF→ON 1.0ms or less ON→OFF 1.0ms or less
Surge suppression	Zener diode
Common wiring method	2 points/1 common (2 points) (terminal block two-wire type)
Internal protection for outputs	Internal protection circuit none Please connect the fuse in the connected load outside.

##### 5.4 Performance specifications

Item	Specification
Module power supply	Voltage 20.4 to 28.8V DC (24V DC -15% to +20%) Ripple ratio: Within 5%
	Current consumption 55mA (when all points are ON)
	Initial current 70mA Max. allowable momentary power failure period PS1:1ms
Number of stations occupied	4-, 8- or 16-point mode: 1 station
Noise durability	500Vp-p Noise width: 1μs Cycle: 25 to 60 Hz (by noise simulator)
Withstand voltage	DC type: 500V AC for 1 min
Isolation resistance	10 MΩ or higher between primary area (external DC terminal) and secondary area (internal circuit) by 500 VDC insulation resistance tester
Protection class	IP2X
I/O part connection method	Connection with terminal block
Module installation method	DIN rail installation, mounted by screws of type M4 × 0.7mm(0.03") × 16mm(0.63") or larger Can be installed in six directions
Mass (weight)	0.1kg(0.22lbs)

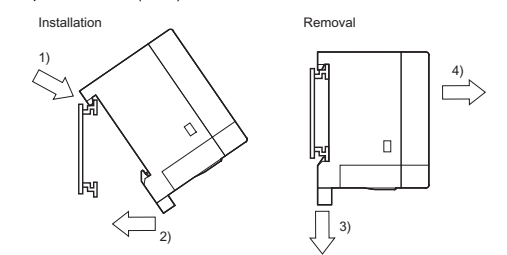
#### 6. Outside Dimensions



Unit: mm(inches)

#### 3.1 Installation to DIN rail

Align the upper DIN rail installation groove in the module with the DIN rail (1), and press the module in that status (2).  
 When removing the module, pull the hook downward for installation to DIN rail (3), then remove the module (4).  
**DIN rail mounting screw pitch**  
 When installing the module to the DIN rail, tighten the mounting screws at the pitch of 200mm(7.87") or less.



Applicable DIN rail TH35-7.5Fe and TH35-7.5Al

#### 3.2 Direct installation

Screw-tighten the module by attaching M4 screws to the upper and lower mounting holes (two holes in all) provided in the module. Install the module so that the clearance of 1 to 2mm (0.04" to 0.08") is assured for each module.

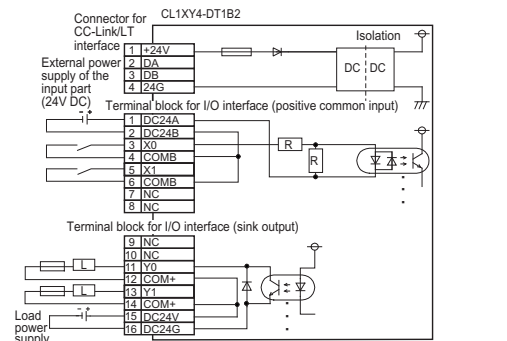
Applicable screw M4 × 0.7mm(0.03") × 16mm(0.63") or more  
 (Tightening torque range: 0.78 to 1.08 N·m)

#### 4. Wiring

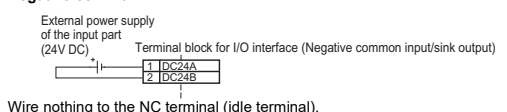
##### 4.1 External wiring

The input terminals of the CL1XY4-DT1B2 can be wired as positive common or negative common depending on the used sensor. (The output wiring is fixed to the sink output.)

##### Positive common



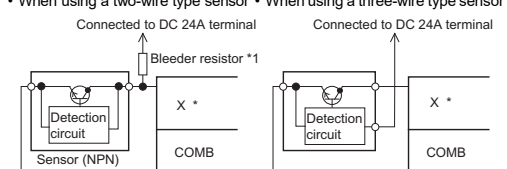
##### Negative common



Wire nothing to the NC terminal (idle terminal).

##### 4.2 Connection to sensor

Positive common (NPN)  
 When using a two-wire type sensor • When using a three-wire type sensor



#### 「电器电子产品有害物质限制使用标识要求」的表示方式

Note: This symbol mark is for China only.

含有害6物质的名称, 含有量, 含有部品  
 本产品中所含有的有害6物质的名称, 含有量, 含有部品如下表所示。

部件名称	有害物质					
	铅 (Pb)	汞 (Hg)	镉 (Cd)	六价铬 (Cr(VI))	多溴联苯 (PBB)	多溴二苯醚 (PBDE)
可编程控制器	○	○	○	○	○	○
印刷基板	×	○	○	○	○	○

本表格依据SJ/T 11364的规定编制。

○: 表示该有害物质在该部件所有均质材料中的含量均在GB/T 26572规定的限量要求以下。  
 ×: 表示该有害物质至少在该部件的某一均质材料中的含量超出GB/T 26572规定的限量要求。

基于中国标准法的参考规格: GB/T15969.2

This manual confers no industrial property rights or any rights of any other kind, nor does it confer any patent licenses. Mitsubishi Electric Corporation cannot be held responsible for any problems involving industrial property rights which may occur as a result of using the contents noted in this manual.

#### Warranty

Exclusion of loss in opportunity and secondary loss from warranty liability  
 Regardless of the gratis warranty term, Mitsubishi shall not be liable for compensation to:  
 (1) Damages caused by any cause found not to be the responsibility of Mitsubishi.  
 (2) Loss in opportunity, lost profits incurred to the user by Failure of Mitsubishi products.  
 (3) Special damages and secondary damages whether foreseeable or not, compensation for accidents, and compensation for damages to products other than Mitsubishi products.  
 (4) Replacement by the user, maintenance of on-site equipment, start-up test run and other tasks.

#### For safe use

This product has been manufactured as a general-purpose part for general industries, and has not been designed or manufactured to be incorporated in a device or system used in purposes related to human life.  
 Before using the product for special purposes such as nuclear power, electric power, aerospace, medicine or passenger movement vehicles, consult with Mitsubishi Electric.  
 This product has been manufactured under strict quality control. However when installing the product where major accidents or losses could occur if the product fails, install appropriate backup or failsafe functions in the system.

Country/Region	Sales office/Tel	Country/Region	Sales office/Tel
USA	MITSUBISHI ELECTRIC AUTOMATION, INC. 500 Corporate Woods Parkway, Vernon Hills, IL 60061, U.S.A. Tel: +1-847-478-2100/+1-847-478-2500 (NC)	Russia	Mitsubishi Electric (Russia) LLC 2, 2nd fl., Leninskoyaya str., 115054 Moscow, Russia Tel: +7-495-721-2070
Brazil	MITSUBISHI ELECTRIC DO BRASIL COMERCIO E SERVICOS LTDA. Avenida Adelfino Cardana, 203, 21 andar: Betim - Minas Gerais, Brazil Tel: +55-11-4689-3000	China	MITSUBISHI ELECTRIC AUTOMATION (CHINA) LTD. No. 1386 Hongqiao Road, Mitsubishi Electric Automation Center, Changning District, Shanghai, China Tel: +86-21-2322-3030
Germany	MITSUBISHI ELECTRIC EUROPE B.V. - German Branch Mitsubishi-Electro-Platz 1, 40882 Ratingen, Germany Tel: +49-2102-486-0	Taiwan	MITSUBISHI ELECTRIC (TAIWAN) CO., LTD. 6F, No. 105, Wugong 3rd Road, Wugu District, New Taipei City 24889, Taiwan, R.O.C. Tel: +886-2-269-2469
UK	MITSUBISHI ELECTRIC EUROPE BV (UK Branch) Travelers Lane, Hatfield, Hertfordshire, AL10 8XB, UK Tel: +44-1473-28-8780	Korea	MITSUBISHI ELECTRIC AUTOMATION KOREA CO., LTD. 7F-9F