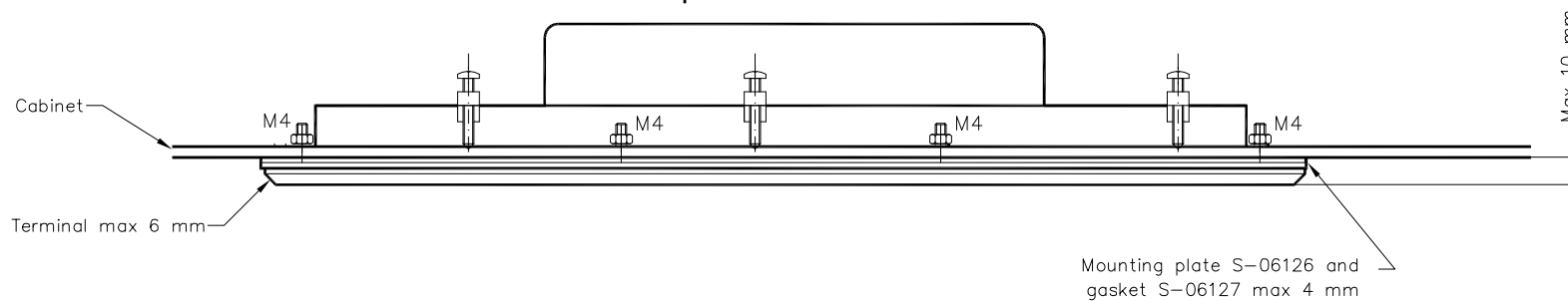
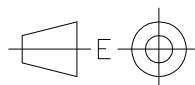


Top view K100/E1100



Drawn to scale 1:1



A1

		Complete mounting plate for K100/E1100 in C90/E900 mounting hole					
Drawn	Date	App.	Revision	Revision date	Page	Next page	Drawing No.
EAN	2005-08-24		-	-	1	-	S-06128