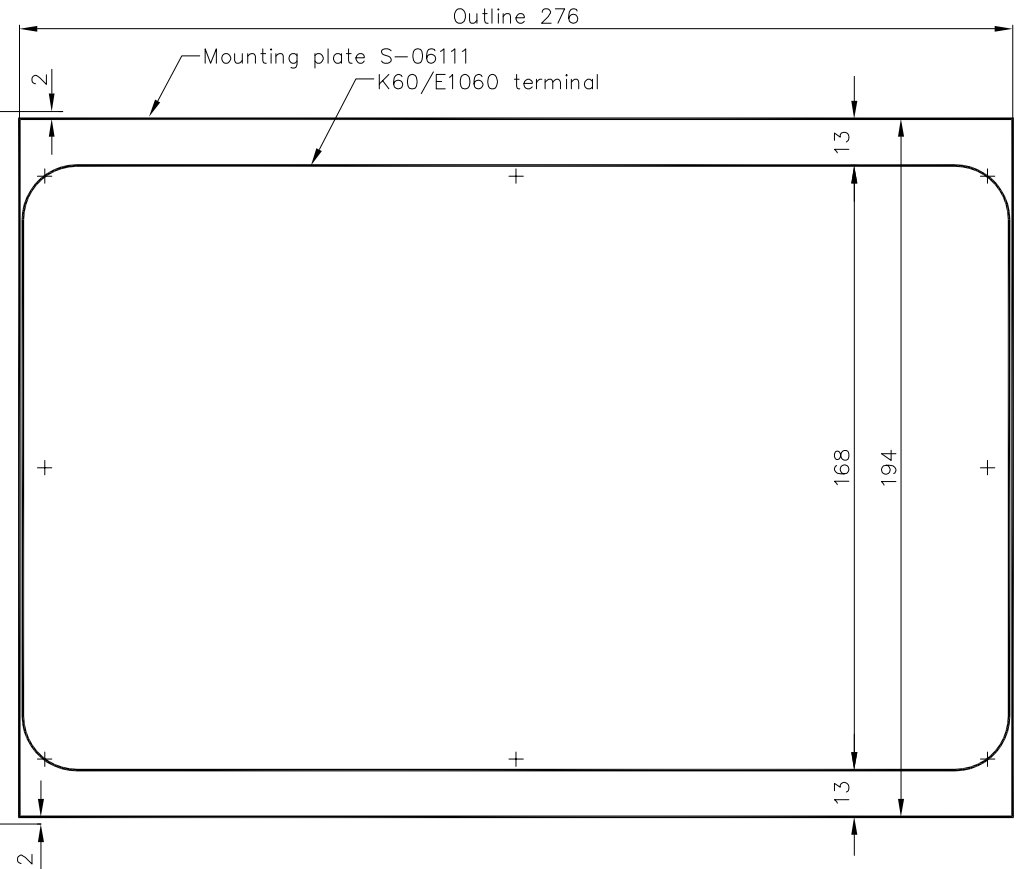
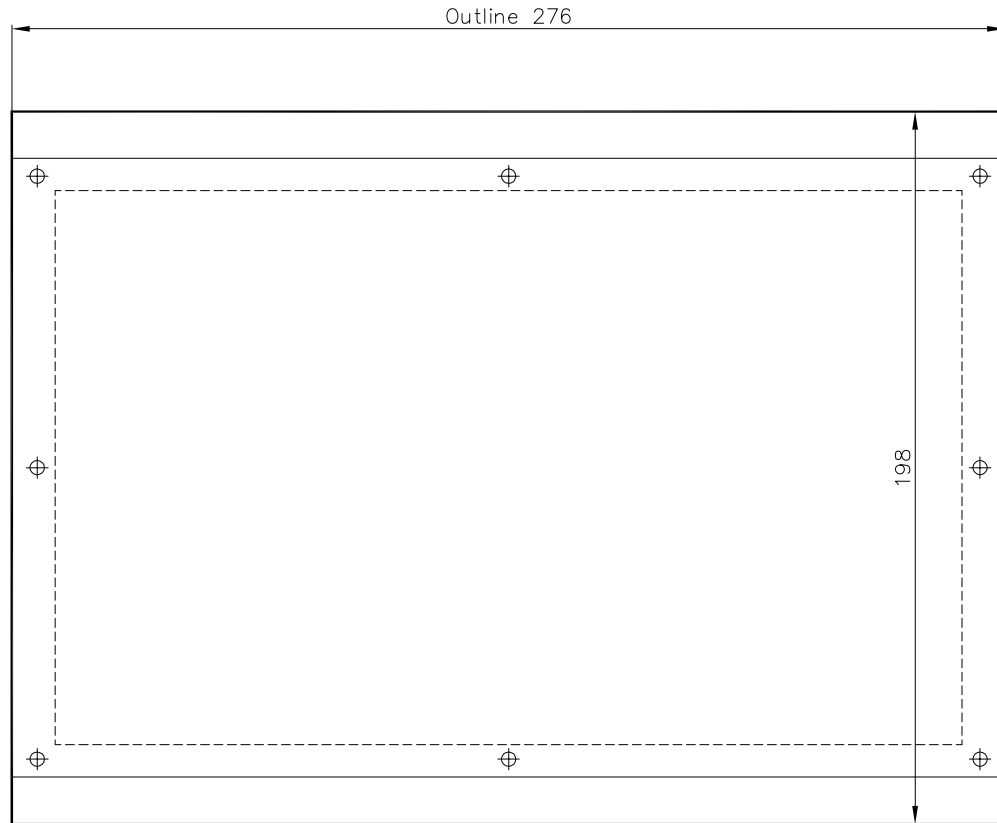
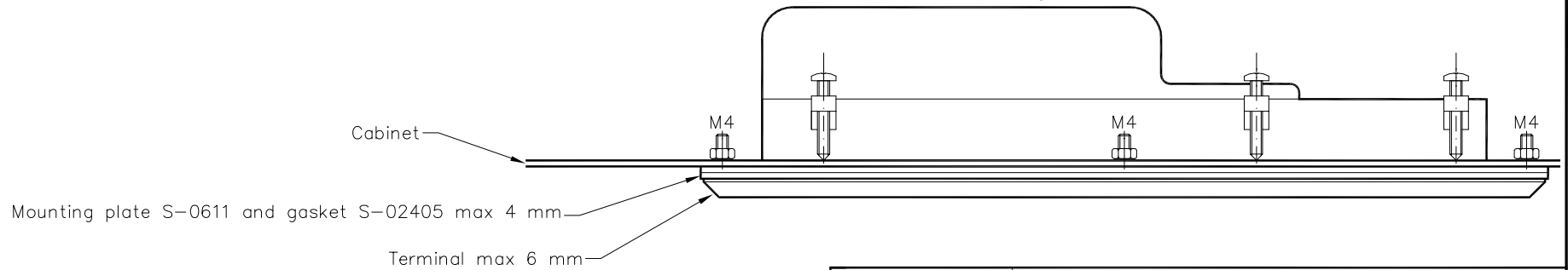


Front view C70/E700

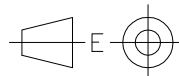
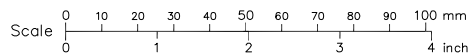
Front view K60/E1060



Top view K60/E1060



Drawn to scale 1:1



		Complete mounting plate K60/E1060 in C70/E700 mounting hole					
Drawn	Date	App.	Revision	Revision date	Page	Next page	Drawing No.
EAN	2005-08-19		-	-	1	-	S-06113