

SAFETY PRECAUTIONS
Always read these precautions before using this equipment.
Before using this product, please read this manual and the relevant manuals introduced in this manual carefully and pay full attention to safety to handle the product correctly.

WARNING Indicates that incorrect handling may cause hazardous conditions, resulting in death or severe injury.

CAUTION Indicates that incorrect handling may cause hazardous conditions, resulting in medium or slight personal injury or physical damage.

Note that the CAUTION level may lead to a serious accident according to the circumstances.
Always follow the precautions of both levels because they are important to personal safety.

DESIGN PRECAUTIONS
CAUTION
Do not bundle the control and communication cables with main-circuit, power or other wiring.
Run the above cables separately from such wiring and keep them a minimum of 100mm apart.

Mounting Precautions
WARNING
Be sure to shut off all phases of the external power supply used by the system before mounting or removing this unit from the GOT.

CAUTION
Use this unit in the environment that satisfies the general specifications described in the User's Manual for the GOT used.

Wiring Precautions
WARNING
Be sure to shut off all phases of the external power supply used by the system before wiring.

CAUTION
Exercise care to avoid foreign matter such as chips and wire offcuts entering the unit.

Startup and Maintenance Precautions
WARNING
Before starting cleaning or mounting screw retightening, always shut off GOT power externally in all phases.

CAUTION
Do not disassemble or modify the unit.
Do not touch the conductive and electronic parts of this unit directly.

Precautions when the Data Storage is in use
CAUTION
When installing a CF card into this unit, insert it into the card slot of this unit until the CF card eject button pops out.

Disposal Precautions
CAUTION
When disposing of this product, treat it as industrial waste.

Transportation Precautions
CAUTION
Make sure to transport the GOT main unit and/or relevant unit(s) in the manner they will not be exposed to the impact exceeding the impact resistance described in the general specifications of the User's Manual.

Manual
Table with Manual name, Manual number (Model code), GOT2000 Series User's Manual (Hardware), SH-081194ENG (1D7MJ5)

For detailed manuals and relevant manuals, refer to the e-Manual or PDF manuals stored in the DVD-ROM for the screen design software used.

Compliance with the EMC and Low Voltage Directives
To configure a system meeting the requirements of the EMC and Low Voltage Directives compliant into other machinery or equipment, refer to "EMC AND LOW VOLTAGE DIRECTIVES" of the General Description included with the GOT used.

Compliance with the new China RoHS directive
Note: This symbol mark is for China only.

Table with columns: Component Name, Pb, Cd, Cr, Ni, PBB, PBB, PBB

Referenced Standard: GB/T15969.2
Requirement of Chinese standardized law
Packing List
The following items are included.

Packing List Table with columns: Model, Product, Quantity

3. PART NAMES AND EXTERNAL DIMENSIONS

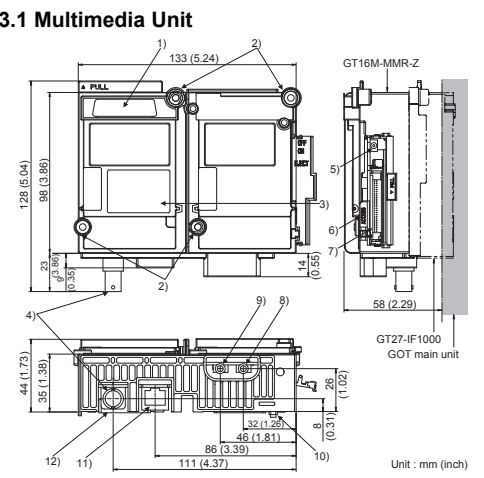


Table with 3 columns: No., Name, Description. Lists parts like Extension connector, Mounting screw, Rating plate, Connector for video input, etc.

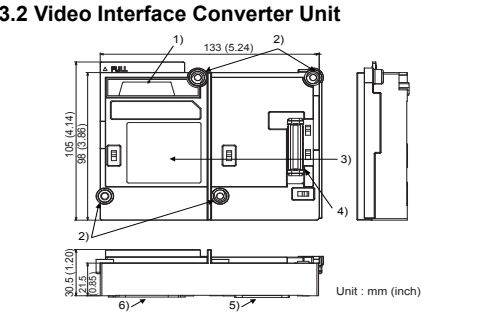
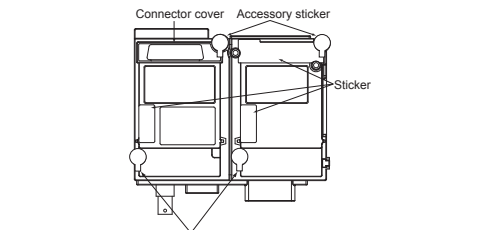
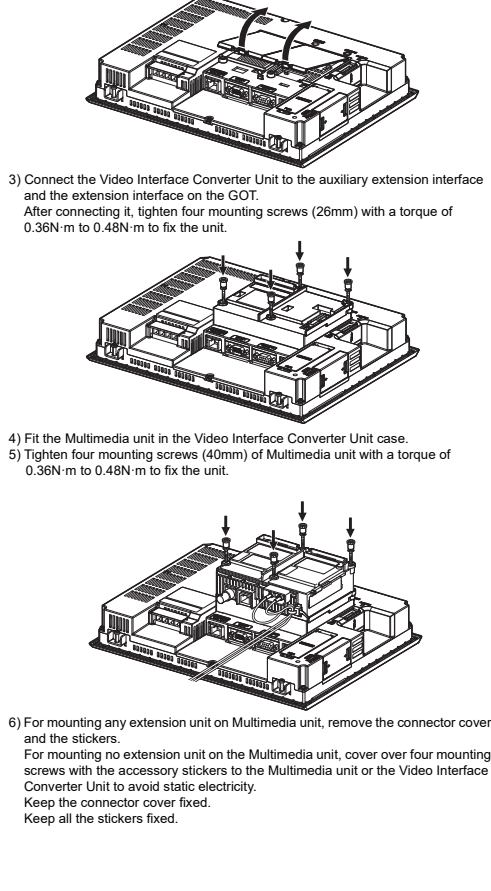


Table with 3 columns: No., Name, Description. Lists parts like Extension connector, Mounting screw, Rating plate, Video connector, etc.

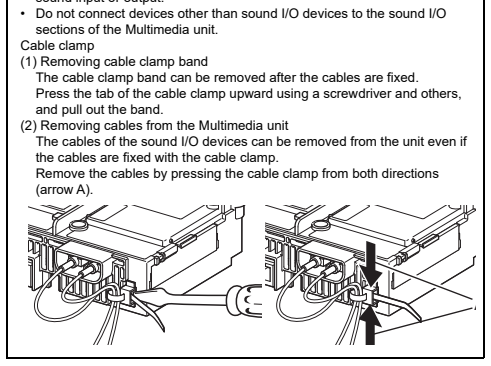
4. INSTALLATION AND REMOVAL PROCEDURE

4.1 Cable Connection
1) Connect the cables of the sound I/O devices to the Multimedia unit.
2) Attach the cable clamp to the Multimedia unit.

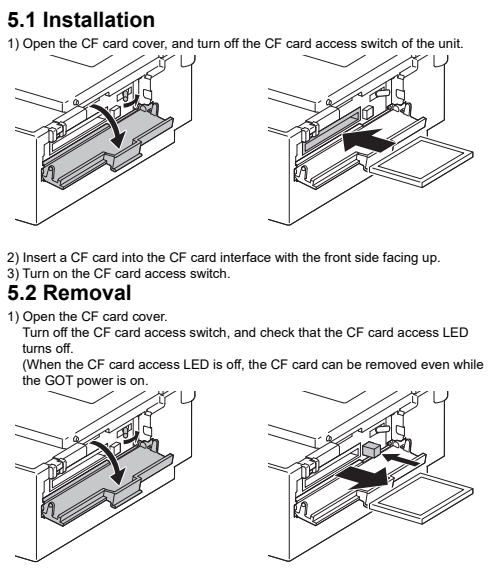
4.2 Unit Installation
The installation procedure for the Multimedia unit is explained using the GT2712.



4.3 Unit Removal
For removing the Multimedia unit, reverse the procedure of the installation.



5. CF CARD INSTALLATION/REMOVAL PROCEDURE



1. OVERVIEW

This user's manual describes the GOT2000 Series Multimedia unit (hereinafter referred to as the Multimedia unit).

- *1: To store video files in the personal computer, the FTP server function of the GOT and the multimedia interaction tool are required.
*2: Power on the GOT simultaneously with the video camera.
*3: Depending on the video camera type, noise from the power supply cable of the video camera may cause malfunction of the GOT or a programmable controller.

2. SPECIFICATIONS

The following shows the performance specifications of the Multimedia unit. The general specifications of the Multimedia unit are the same as those of the GOT.

Table with columns: Item, Specifications. Lists specifications for Video input section, Sound input section, Sound output section, CF Card I/F section, Ethernet I/F section, Video file, Internal current consumption, and Weight.

*1: Compatible with PAL and CCIR formats only.

Warranty
Mitsubishi Electric will not be held liable for damage caused by factors found not to be the cause of Mitsubishi Electric; machine damage or lost profits caused by faults in the Mitsubishi Electric products; damage, secondary damage, accident compensation caused by special factors unpredictable by Mitsubishi Electric; damages to products other than Mitsubishi Electric products; and to other duties.

- For safe use
This product has been manufactured as a general-purpose part for general industries, and has not been designed or manufactured to be incorporated in a device or system used in purposes related to human life.

Table with columns: Country/Region, Sales office/Tel. Lists contact information for various countries.

Table with columns: Country/Region, Sales office/Tel. Lists contact information for various countries.

5. CF CARD INSTALLATION/REMOVAL PROCEDURE

Table with columns: Country/Region, Sales office/Tel. Lists contact information for various countries.