

MITSUBISHI ELECTRIC

GOT2000 Series Wireless LAN Communication Unit User's Manual

GT25-WLAN

Thank you for choosing Mitsubishi Electric Graphic Operation Terminal (GOT)

Prior to use, please read both this manual and detailed manual thoroughly to fully understand the product.

MODEL	GT25-WLAN-U-JE
MODEL CODE	1D7MM2
IB(NA)-0800522-L(2106)MEE	

© 2013 MITSUBISHI ELECTRIC CORPORATION

●SAFETY PRECAUTIONS●
(Always read these precautions before using this equipment.)

Before using this product, please read this manual and the relevant manuals introduced in this manual carefully and pay full attention to safety to handle the product correctly.

The precautions given in this manual are concerned with this product. In this manual, the safety precautions are ranked as "WARNING" and "CAUTION".

WARNING Indicates that incorrect handling may cause hazardous conditions, resulting in death or severe injury.

CAUTION Indicates that incorrect handling may cause hazardous conditions, resulting in medium or slight personal injury or physical damage.

Note that the CAUTION level may lead to a serious accident according to the circumstances.

Always follow the precautions of both levels because they are important to personal safety.

Please save this manual to make it accessible when required and always forward it to the end user.

[DESIGN PRECAUTIONS]

WARNING

- To maintain the security (confidentiality, integrity, and availability) of the GOT and the system against unauthorized access, DoS attacks, computer viruses, and other cyberattacks from unreliable networks and devices via network, take appropriate measures such as firewalls, virtual private networks (VPNs), and antivirus solutions.
- Mitsubishi Electric shall have no responsibility or liability for any problems involving GOT trouble and system trouble by unauthorized access, DoS attacks, computer viruses, and other cyberattacks.
- *1 DoS: A denial-of-service (DoS) attack disrupts services by overloading systems or exploiting vulnerabilities, resulting in a denial-of-service (DoS) state.

[INSTALLATION PRECAUTIONS]

WARNING

- Be sure to shut off all phases of the external power supply used by the system before mounting or removing this unit to/from the GOT. Not doing so can cause a unit failure or malfunction.

[INSTALLATION PRECAUTIONS]

CAUTION

- Use this unit in the environment that satisfies the general specifications described in the GOT2000 Series User's Manual (Hardware). Not doing so can cause an electric shock, fire, malfunction or product damage or deterioration.
- Do not drop the unit or subject it to string shock. A unit damage may result.
- When installing this unit to the GOT, fit it to the side interface of GOT and tighten the mounting screws in the specified torque range (0.10 N·m to 0.14 N·m) with a Phillips-head screwdriver No.1. When the GOT is installed vertically, its side interface is positioned on the bottom.
- To prevent the falling of the wireless LAN communication unit from the side interface, install or remove the unit while holding it with hands. Overtightening can cause a drop, failure or malfunction. Overtightening can cause a drop, failure or malfunction due to screw or unit damage.

[STARTUP AND MAINTENANCE PRECAUTIONS]

WARNING

- Before starting cleaning, always shut off GOT power externally in all phases. Not doing so can cause a unit failure or malfunction. Overtightening can cause the GOT to drop, short circuit or malfunction. Overtightening can cause a short circuit or malfunction due to the damage of the screws or unit.
- Do not disassemble or modify any unit. This will cause failure, malfunction, injuries, or fire.
- Do not touch the conductive areas and electronic parts of this unit directly. Doing so can cause a unit malfunction or failure.

CAUTION

- Always make sure to touch the grounded metal to discharge the electricity charged in the body, etc., before touching the unit. Failure to do so may cause a failure or malfunctions of the unit.

[PRECAUTIONS FOR REMOTE CONTROL]

WARNING

- Remote control is available through a network by using GOT functions, including the SoftGOT-GOT link function, the remote personal computer operation function, the VNC server function, and the GOT Mobile function. If these functions are used to perform remote control of control equipment, the field operator may not notice the remote control, possibly leading to an accident.
- In addition, a communication delay or interruption may occur depending on the network environment, and remote control of control equipment cannot be performed normally in some cases.
- Before using the above functions to perform remote control, fully grasp the circumstances of the field site and ensure safety.

[DISPOSAL PRECAUTIONS]

CAUTION

- Dispose of this product as industrial waste.

[TRANSPORTATION PRECAUTIONS]

CAUTION

- Make sure to transport the GOT main unit and/or relevant unit(s) in the manner they will not be exposed to the impact exceeding the impact resistance described in the general specifications of the User's Manual for the GOT used, as they are precision devices. Failure to do so may cause the unit to fail.
- Check if the unit operates correctly after transportation.
- When fumigants that contain halogen materials such as fluorine, chlorine, bromine, and iodine are used for disinfecting and protecting wooden packaging from insects, they cause malfunction when entering our products. Please take necessary precautions to ensure that remaining materials from fumigant do not enter our products, or treat packaging with methods other than fumigation (heat method).
- Additionally, disinfect and protect wood from insects before packing products.

Before Using the Product

[Precautions for Use]

Do not modify this wireless LAN communication unit in any way. Doing so is prohibited by the Japan Radio Law.

Data transfer in wireless LAN communication may not be as stable as that in cable communication.

A packet loss may occur depending on the surrounding environment and the installation location.

Be sure to perform a confirmation of operation before using this product.

[Precautions for radio-frequency interference]

- This product operates in the 2.4 GHz band, which is used for industrial, scientific and medical applications (such as microwave ovens), customer-premises radio stations for identifying mobile units (licensed), specific low-power radio stations (license-free), and amateur radio stations (licensed).
- Before using this product, make sure that customer-premises radio stations for identifying mobile units, specific low-power radio stations, and amateur radio stations are not operational near the product.
- In the event that this product causes harmful radio-frequency interference with a customer-premises radio station for identifying mobile units, immediately stop the emission of radio waves and take countermeasures to prevent interference, such as changing the frequency and location of the product.
- Contact your local sales office if you have any problems caused by this product, such as harmful radio-frequency interference with the radio stations mentioned above.

[Security Precautions]

Wireless LAN uses radio waves instead of LAN cables to send and receive data between a computer and a wireless LAN access point, making it possible to freely establish a LAN connection within a range of the radio waves.

However, radio waves can be received through obstacles, such as walls, when within the range.

Therefore, if security settings are not made, the following problems may occur.

- Unauthorized viewing of data
- An unauthorized third party can intercept the radio waves and sneak a look at user ID and password.
- Unauthorized access
- An unauthorized third party can access network and cause the following damage:
 - Intercepting personal information and confidential information (information leak)
 - Using a false identity to communicate and disclose information illegally (identity theft)
 - Changing and transmitting intercepted data (tampering)
 - Damaging data and systems by spreading a computer virus (destruction)

The wireless LAN communication unit and wireless LAN access point have security features to counter these problems.

Configuring the security settings before using the wireless LAN equipment can help to prevent these problems from occurring.

The security settings of the wireless LAN equipment are not configured at the time of purchase.

To reduce security problems, configure all security settings of the wireless LAN equipment according to the manual before using the wireless LAN communication unit and wireless LAN access point.

Please be aware that the security settings do not provide complete security protection due to wireless LAN specifications.

If you are unable to configure the security settings yourself, please contact your local authorized dealer.

The customer is responsible for configuring the security settings and understanding the risks inherent in using the product without the security settings configured.

Manuals

The following shows manuals relevant to this product.

Manual name	Manual number (Model code)
GOT2000 Series User's Manual (Hardware) (Sold separately)	SH-081194ENG (1D7MJ5)
GOT2000 Series User's Manual (Utility) (Sold separately)	SH-081195ENG (1D7MJ6)
GOT2000 Series Connection Manual (Microcomputers, MODBUS/Fieldbus Products, Peripherals) For GT Works3 Version1	SH-081200ENG

For detailed manuals and relevant manuals, refer to the e-Manual or PDF manuals stored in the DVD-ROM for the screen design software used.

The latest manuals are also available from MITSUBISHI ELECTRIC FA Global Website (www.MitsubishiElectric.com/fa).

Compliance with the new China RoHS directive

GOT 相关的基于“电器电子产品有害物质限制使用管理办法”要求的表示方法

15

Note: This symbol mark is for China only.

含有有害6物质的名称、含量、含有部件
本产品中所含有的有害6物质的名称、含量、含有部件如下表所示。
产品中有有害物质的名称及含量

部件名称	有害物质					
	铅 (Pb)	汞 (Hg)	镉 (Cd)	六价铬 (Cr(VI))	多溴联苯 (PBB)	多溴二苯醚 (PBDE)
电路板组件	×	○	○	○	○	○

部件名称	有害物质					
	铅 (Pb)	汞 (Hg)	镉 (Cd)	六价铬 (Cr(VI))	多溴联苯 (PBB)	多溴二苯醚 (PBDE)
树脂壳体、电缆、膜材	○	○	○	○	○	○
覆盖部件、螺丝等金属部件	○	○	○	○	○	○

本表格依据 SJ/T11364 的规定编制。
○：表示该有害物质在该部件所有均质材料中的含量均在 GB/T26572 规定的限量要求以下。
×：表示该有害物质在该部件的某一均质材料中的含量超出 GB/T26572 规定的限量要求。

Reference Standard: GB/T15969.2 (Requirement of Chinese standardized law)

Packing List

After unpacking the box, check that the following products are included.

Model	Product	Quantity
GT25-WLAN	Wireless LAN communication unit	1
	GOT2000 シリーズ無線 LAN 通信ユニット取組説明書 / GOT2000 Series Wireless LAN User's Manual (This manual)	1
	GOT2000 系列无线局域网通讯模块使用说明书 / GOT2000 시리즈 무선 LAN 통신 장치 사용자 매뉴얼	1

FCC Part 15 Notice

This device complies with part 15 of the FCC Rules. Operation is subject to the following two conditions: (1) This device may not cause harmful interference, and (2) this device must accept any interference received, including interference that may cause undesired operation.

FCC CAUTION

Change or modifications not expressly approved by the party responsible for compliance could void the user's authority to operate to the equipment.

This transmitter must not be co-located or operated in conjunction with any other antenna or transmitter.

This equipment complies with FCC radiation exposure limits set forth for an uncontrolled environment and meets the FCC radio frequency (RF) Exposure Guidelines in Supplement C to OET65. This equipment should be installed and operated keeping the radiator at least 20cm or more away from person's body (excluding extremities: hands, wrists, feet and ankles).

1. OVERVIEW

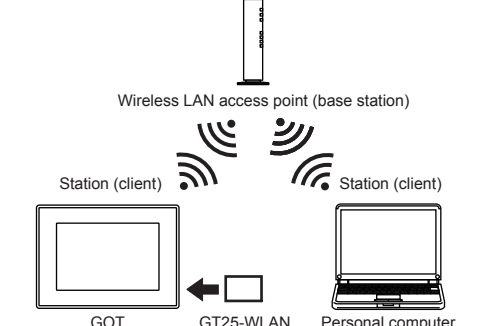
This user's manual describes the GOT2000 Series wireless LAN communication unit (hereinafter referred to as the wireless LAN communication unit). The wireless LAN communication unit is used to perform the operations such as transferring data from a personal computer to the GOT or FA transparent function in wireless LAN communication.

1) GOT action mode: access point

The GOT operates as a wireless LAN access point (base station) to communicate with other stations (clients) such as a personal computer.

2) GOT action mode: station

The GOT operates as a station (client) to connect to a wireless LAN access point (base station). Other stations (clients) such as a personal computer can communicate with the GOT through the wireless LAN access point (base station).



For the usable GOTs, refer to the following.

- GOT2000 Series User's Manual (Hardware)

For the setting and system configuration of wireless LAN function, refer to the following.

- GT Designer3 (GOT2000) Screen Design Manual
- GOT2000 Series User's Manual (Utility)
- GOT2000 Series Connection Manual (Microcomputers, MODBUS/Fieldbus Products, Peripherals) For GT Works3 Version1

2. SPECIFICATIONS

The following shows the performance specifications of the wireless LAN communication unit.

The general specifications of the wireless LAN communication unit are the same as those of the GOT.

For the general specifications of the GOT, refer to the following.

- GOT2000 Series User's Manual (Hardware)

These values do not indicate the effective data rates.

- Screen design software:
 - GT Works3 Version1.105K or later (for use as a station (client))
 - GT Works3 Version1.144A or later (for use as an access point (base station) or a station (client))
- BootOS : Version C or later

Item	Specifications
Standard ¹	IEEE802.11b/g/n compatible
Channel	11ch (1 to 11ch)
Data rates ²	IEEE802.11b: up to 11Mbps IEEE802.11g: up to 54Mbps IEEE802.11n: up to 72.2Mbps
Maximum RF power	15dBm±2dB
Bandwidth (Center frequency)	2412 to 2462 MHz
Wireless connection mode	Infrastructure mode
Security ³	64/128bit WEP WPA-PSK(TKIP, AES) WPA2-PSK(TKIP, AES)
Number of antennae	1 (Built-in chip antenna)
Action mode	Access point (base station), station (client) ⁴
Maximum number of connectable stations (GOT action mode: access point)	5
Internal current consumption 3.3VDC	0.4A
Weight	0.01kg
Compliance with	Japan Radio Law ⁵ , FCC standards ⁶ , RE Directive ⁹ (R&TTE Directive ⁷), SRRC ⁸ , KC ⁷

¹ IEEE802.11n only supports 2.4-GHz-bandwidth.

² The values of data rates (11Mbps and others), used in this document and the setting screen, are the theoretical maximum of the wireless LAN standard. These values do not indicate the effective data rates.

³ When security authentication is performed by WEP or TKIP method, the wireless LAN communication unit cannot communicate by IEEE802.11n. To communicate by IEEE 802.11n, perform the security authentication by WPA-PSK(AES) or WPA2-PSK(AES) method.

⁴ A wireless LAN access point (commercial product) compatible with IEEE802.11b/g/n standards is required separately.

⁵ The product with hardware version A or later (manufactured in December 2013) complies with the regulation.

⁶ The product with hardware version A can be used only in Japan.

⁷ The product with hardware version B or later (manufactured from October 2014) complies with the regulation.

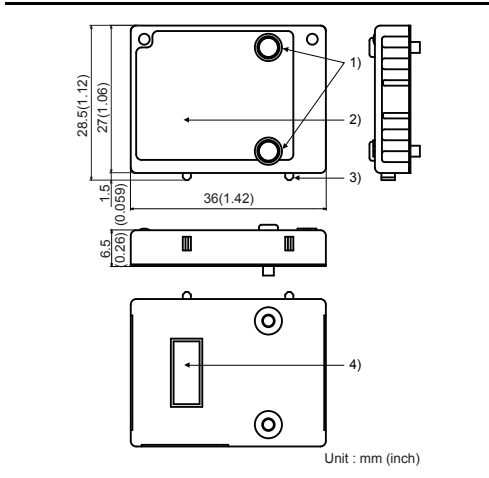
⁸ The product with hardware version B or later can be used in Japan, the United States, the EU member states, Switzerland, Norway, Iceland, and Liechtenstein.

⁹ The product with hardware version D or later (manufactured from May 2016) complies with the regulation.

The product with hardware version D or later can be used in Japan, the United States, the EU member states, Switzerland, Norway, Iceland, Liechtenstein, China (excluding Hong Kong, Macao, and Taiwan), and South Korea.

⁸ The product complies with the RE Directive from March 31, 2017.

3. PART NAMES AND EXTERNAL DIMENSIONS



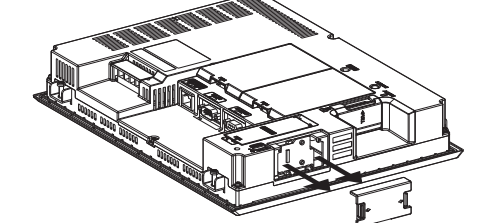
No.	Name	Description
1)	Mounting screw	Screw for fixing the GOT
2)	Rating plate	-
3)	Locating lug	Locating lug fit into the locating groove of the GOT
4)	Extension connector	Extension connector connected to the side interface of the GOT

4. INSTALLATION AND REMOVAL PROCEDURE

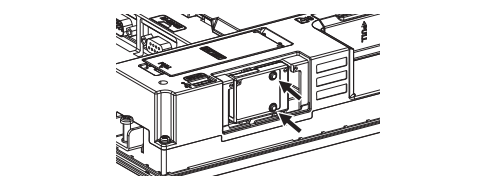
4.1 Unit Installation

The installation procedure for the wireless LAN communication unit is explained using the GT2712.

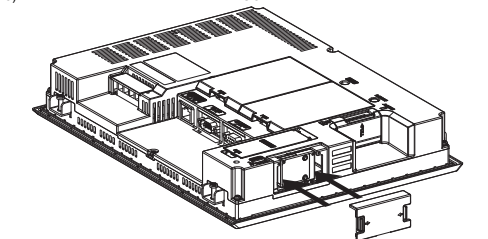
- Turn off the GOT.
- Remove the side interface cover of the GOT.



- Fit the locating lug of the wireless LAN communication unit into the locating groove of the GOT, and install the wireless LAN communication unit to the extension connector.
- Tighten the mounting screws (2 places) of the wireless LAN communication unit with a No.1 Phillips screwdriver and a torque of 0.10N·m to 0.14N·m to fix the unit.



5) Install the side interface cover to the GOT.



4.2 Unit Removal

For removing the wireless LAN communication unit, reverse the procedure of the installation.

5. RE Directive (R&TTE Directive)

Compliance with the RE Directive (R&TTE Directive), which is one of the EU directives, has been mandatory for the products sold within EU member states since 1999.

To prove the compliance with the RE Directive (R&TTE Directive), manufacturers must issue an EC Declaration of Conformity and the products must bear a CE marking.

This product is compliant with EN300 328/EN301 489-1,-17/EN62368-1/EN62311.

CE marking

Declaration of Conformity

MITSUBISHI ELECTRIC
Changes for the Better

EU DECLARATION OF CONFORMITY

We, **MITSUBISHI ELECTRIC CORPORATION**
(Place of Declares) : TOKYO 100-8310, JAPAN
Brand Name : **MITSUBISHI ELECTRIC**

declares under our sole responsibility that the product
Description : Wireless LAN Communication Unit
Type of Model : GT25-WLAN
Notice : N/A

to which this declaration relates is in conformity with the following standard and directives.

Directive (Article 3.1(a))	Harmonized Standard	Notified Body
RE Directive (Article 3.1(b))	EN 62368-1:2014 EN 62311:2008	-
RE Directive (Article 3.1(b))	EN 301 489-1 V2.3.3 EN 301 489-17 V3.1.1	-
RE Directive (Article 3.2)	EN 300 328 V2.2.2	-
RoHS Directive (EU/2002/95/EC)	EN IEC 63000:2016	-

Authorized representative in Europe
(The person authorized to compile the Technical file or relevant Technical documentation)
Hainrich Pätz
FA Product Marketing, Director, MITSUBISHI ELECTRIC EUROPE B.V., German Branch
Mitsubishi-Electric-Platz 1, 40882 Ratingen, Germany
Issue Date (Date of Declaration): 21 MAY 2021

Signed for and on behalf of
(Signature) *Atsuko Onishi*
(Name) Atsuko Onishi
General Manager, I&M System Dept.
MITSUBISHI ELECTRIC CORPORATION

(1/1) BCN-P9999-2051-D

6. PRECAUTIONS

To use the wireless LAN communication unit, installing the system application and setting the controller are required.

For the settings and system configuration, refer to the following.

- GOT2000 Series Connection Manual (Microcomputers, MODBUS/Fieldbus Products, Peripherals) For GT Works3 Version1

MITSUBISHI ELECTRIC CORPORATION

HEAD OFFICE : TOKYO BUILDING, 2-7-3 MARUNOUCHI, CHYODA-KU, TOKYO 100-8310, JAPAN
NAGOYA WORKS : 1-14, YADA-MINAMI 5-CHOME, HIGASHI-KU, NAGOYA, JAPAN

When exported from Japan, this manual does not require application to the Ministry of Economy, Trade and Industry for service transaction permission.

Specifications subject to change without notice.
Printed in Japan, June 2021.