

MITSUBISHI ELECTRIC

GOT2000 Series Wireless LAN Communication Unit User's Manual

GT25-WLAN

Thank you for purchasing the GOT2000 Series.

Prior to use, please read both this manual and detailed manual thoroughly to fully understand the product.

MODEL	GT25-WLAN-U-JE
MODEL CODE	1D7MM2
IB(NA)-0800522-A(1311)MEE	

GOT2000

[INSTALLATION PRECAUTIONS]

CAUTION

- Use this unit in the environment that satisfies the general specifications described in the GOT2000 Series User's Manual (Hardware). Not doing so can cause an electric shock, fire, malfunction or product damage or deterioration.
- Do not drop the unit or subject it to string shock. A unit damage may result.
- When installing this unit to the GOT, fit it to the connection interface of the GOT and tighten the mounting screws in the specified torque range. Overtightening can cause a drop, failure or malfunction. Overtightening can cause a drop, failure or malfunction due to screw or unit damage.

[STARTUP AND MAINTENANCE PRECAUTIONS]

WARNING

- Before starting cleaning, always shut off GOT power externally in all phases. Not doing so can cause a unit failure or malfunction. Undertightening can cause the GOT to drop, short circuit or malfunction. Overtightening can cause a short circuit or malfunction due to the damage of the screws or unit.
- Do not disassemble or modify any unit. This will cause failure, malfunction, injuries, or fire.
- Do not touch the conductive areas and electronic parts of this unit directly. Doing so can cause a unit malfunction or failure.

CAUTION

- Always make sure to touch the grounded metal to discharge the electricity charged in the body, etc., before touching the unit. Failure to do so may cause a failure or malfunctions of the unit.

[DISPOSAL PRECAUTIONS]

CAUTION

- Dispose of this product as industrial waste.

[TRANSPORTATION PRECAUTIONS]

CAUTION

- Make sure to transport the GOT main unit and/or relevant unit(s) in the manner they will not be exposed to the impact exceeding the impact resistance described in the general specifications of the User's Manual for the GOT used, as they are precision devices. Failure to do so may cause the unit to fail. Check if the unit operates correctly after transportation.
- When fumigants that contain halogen materials such as fluorine, chlorine, bromine, and iodine are used for disinfecting and protecting wooden packaging from insects, they cause malfunction when entering our products. Please take necessary precautions to ensure that remaining materials from fumigant do not enter our products, or treat packaging with methods other than fumigation (heat method). Additionally, disinfect and protect wood from insects before packing products.

Before Using the Product

[Precautions for Use]

Do not modify this wireless LAN communication unit in any way. Doing so is prohibited by the Radio Act (Japan). Data transfer in wireless LAN communication may not be as stable as that in cable communication. A packet loss may occur depending on the surrounding environment and the installation location. Be sure to perform a confirmation of operation before using this product. This product is available for use only in Japan.

[Security Precautions]

Wireless LAN uses radio waves instead of LAN cables to send and receive data between a computer and a wireless LAN access point, making it possible to freely establish a LAN connection within a range of the radio waves. However, radio waves can be received through obstacles, such as walls, when within the range. Therefore, if security settings are not made, the following problems may occur.

- Unauthorized viewing of data
An unauthorized third party can intercept the radio waves and sneak a look at user ID and password.
- Unauthorized access
An unauthorized third party can access network and cause the following damage:
 - Intercepting personal information and confidential information (information leak)
 - Using a false identity to communicate and disclose information illegally (identity theft)
 - Changing and transmitting intercepted data (tampering)
 - Damaging data and systems by spreading a computer virus (destruction)

The wireless LAN communication unit and wireless LAN access point have security features to counter these problems. Configuring the security settings before using the wireless LAN equipment can help to prevent these problems from occurring. The security settings of the wireless LAN equipment are not configured at the time of purchase. To reduce security problems, configure all security settings of the wireless LAN equipment according to the manual before using the wireless LAN communication unit and wireless LAN access point. Please be aware that the security settings do not provide complete security protection due to wireless LAN specifications. If you are unable to configure the security settings yourself, please contact your local authorized dealer. The customer is responsible for configuring the security settings and understanding the risks inherent in using the product without the security settings configured.

Manuals

The following shows manuals relevant to this product.

Detailed Manual

Manual name	Manual number (Model code)
GOT2000 Series User's Manual (Hardware) (Sold separately)	SH-081194ENG (1D7MJ5)
GOT2000 Series User's Manual (Utility) (Sold separately)	SH-081195ENG (1D7MJ6)
GOT2000 Series Connection Manual (Microcomputer, MODBUS, Products, Peripherals) For GT Works3 Version1 (Sold separately)	SH-081200ENG (1D7MK2)

For detailed manuals, refer to the PDF manuals stored in the DVD-ROM or CD-ROM for the drawing software used.

Relevant Manuals

For relevant manuals, refer to the Help or the .PDF manuals stored in the DVD-ROM or CD-ROM for the drawing software used.

© 2013 MITSUBISHI ELECTRIC CORPORATION

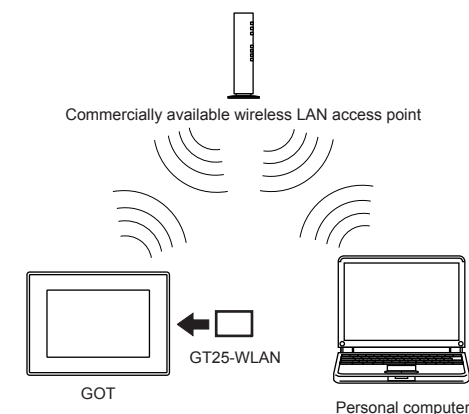
Packing List

After unpacking the box, check that the following products are included.

Model	Product	Quantity
GT25-WLAN	Wireless LAN communication unit	1

1. OVERVIEW

This user's manual describes the GOT2000 Series wireless LAN communication unit (hereinafter referred to as the wireless LAN communication unit). The wireless LAN communication unit is used to perform the operations such as transferring data from a personal computer to the GOT or FA transparent function in wireless LAN communication.



For the usable GOTs, refer to the following.

- GOT2000 Series User's Manual (Hardware)

For the setting and system configuration of wireless LAN function, refer to the following.

- GT Designer3 (GOT2000) Help
- GOT2000 Series User's Manual (Utility)
- GOT2000 Series Connection Manual (Microcomputer, MODBUS, Products, Peripherals) For GT Works3 Version1

For the wireless LAN access point, use the access point compatible with IEEE802.11b/g/n.

2. SPECIFICATIONS

The following shows the performance specifications of the wireless LAN communication unit. The general specifications of the wireless LAN communication unit are the same as those of the GOT.

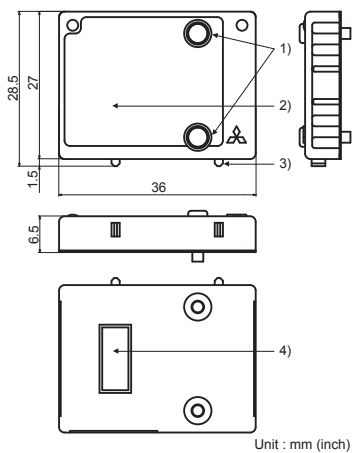
For the general specifications of the GOT, refer to the following.

- GOT2000 Series User's Manual (Hardware)

Item	Specifications
Standard*2	IEEE802.11b/g/n compatible
Channel	11ch (1 to 11ch)
Data rates*3	IEEE802.11b: up to 11Mbps IEEE802.11g: up to 54Mbps IEEE802.11n: up to 72.2Mbps
Wireless LAN communication mode	Infrastructure mode
Security*4	64bit/128bit WEP WPA-PSK(TKIP, AES) WPA2-PSK(TKIP, AES)
Number of antennae	1 (Built-in chip antenna)
Internal current consumption 3.3VDC	0.4A
Weight	0.05kg

*1 The wireless LAN communication unit only functions as a station. Commercially available wireless LAN access points are required separately.
*2 IEEE802.11n only supports 2.4-GHz-bandwidth.
*3 The values of data rates (11Mbps and others), used in this document and the setting screen, are the theoretical maximum of the wireless LAN standard. These values do not indicate the effective data rates.
*4 When security authentication is performed by WEP or TKIP method, the wireless LAN communication unit cannot communicate by IEEE802.11n. To communicate by IEEE 802.11n, perform the security authentication by WPA-PSK(AES) or WPA2-PSK(AES) method.

3. PART NAMES AND EXTERNAL DIMENSIONS



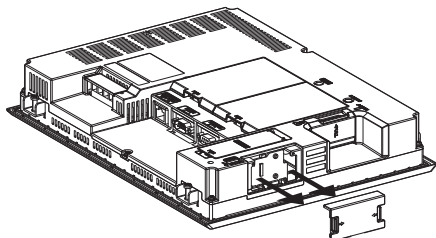
No.	Name	Description
1)	Mounting screw	Screw for fixing the GOT
2)	Rating plate	-
3)	Locating lug	Locating lug fit into the locating groove of the GOT
4)	Extension connector	Extension connector connected to the side interface of the GOT

4. INSTALLATION AND REMOVAL PROCEDURE

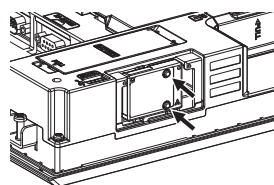
4.1 Unit Installation

The installation procedure for the wireless LAN communication unit is explained using the GT2712.

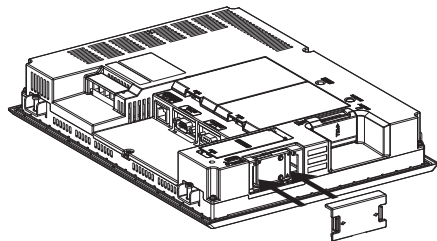
- Turn off the GOT.
- Remove the side interface cover of the GOT.



- Fit the locating lug of the wireless LAN communication unit into the locating groove of the GOT, and install the wireless LAN communication unit to the extension connector.
- Tighten the mounting screws (2 places) of the wireless LAN communication unit with a No.1 Phillips screwdriver and a torque of 0.10N·m to 0.14N·m to fix the unit.



- Install the side interface cover to the GOT.



4.2 Unit Removal

For removing the wireless LAN communication unit, reverse the procedure of the installation.

5. PRECAUTIONS

To use the wireless LAN communication unit, installing the system application and setting the controller are required.

For the settings and system configuration, refer to the following.

- GOT2000 Series Connection Manual (Microcomputer, MODBUS, Products, Peripherals) For GT Works3 Version1

Warranty

Mitsubishi will not be held liable for damage caused by factors found not to be the cause of Mitsubishi; machine damage or lost profits caused by faults in the Mitsubishi products; damage, secondary damage, accident compensation caused by special factors unpredictable by Mitsubishi; damages to products other than Mitsubishi products; and to other duties.

For safe use

- This product has been manufactured as a general-purpose part for general industries, and has not been designed or manufactured to be incorporated in a device or system used in purposes related to human life.
- Before using the product for special purposes such as nuclear power, electric power, aerospace, medicine or passenger movement vehicles, consult with Mitsubishi.
- This product has been manufactured under strict quality control. However, when installing the product where major accidents or losses could occur if the product fails, install appropriate backup or failsafe functions in the system.

Country/Region Sales office/Tel

U.S.A	Mitsubishi Electric Automation Inc. 500 Corporate Woods Parkway Vernon Hills, IL 60061, U.S.A. Tel : +1-847-478-2100
Brazil	MELCO-TEC Rep. Com.e Assessoria Tecnica Ltda. Rua Correia Dias, 184, Edificio Paraiso Trade Center-8 andar Paraiso, Sao Paulo, SP Brazil Tel : +55-11-5908-8331
Germany	Mitsubishi Electric Europe B.V. German Branch Gothaer Strasse 8 D-40880 Ratingen, GERMANY Tel : +49-2102-486-0
U.K	Mitsubishi Electric Europe B.V. UK Branch Travellers Lane, Hatfield, Hertfordshire, AL10 8XB, U.K. Tel : +44-1707-276100
Italy	Mitsubishi Electric Europe B.V. Italian Branch Centro Dir. Colleoni, Pal. Perseo-Ing.2 Via Paracelso 12, I-20041 Agrate Brianza, Milano, Italy Tel : +39-039-60531
Spain	Mitsubishi Electric Europe B.V. Spanish Branch Carretera de Rubi 76-80, E-08190 Sant Cugat del Valles, Barcelona, Spain Tel : +34-93-565-3131
France	Mitsubishi Electric Europe B.V. French Branch 25, Boulevard des Bouvets, F-92741 Nanterre Cedex, France Tel : +33-1-5568-5568
South Africa	Circuit Breaker Industries Ltd. Private Bag 2016, ZA-1600 Isando, South Africa Tel : +27-11-928-2000
Hong Kong	Mitsubishi Electric Automation (Hong Kong) Ltd. 10th Floor, Manulife Tower, 169 Electric Road, North Point, Hong Kong Tel : +852-2887-8870
China	Mitsubishi Electric Automation (China) Ltd. 4/F Zhi Fu Plaza, No.80 Xin Chang Road, Shanghai 200003, China Tel : +86-21-6120-0808
Taiwan	Setsuyo Enterprise Co., Ltd. 6F No.105 Wu-Kung 3rd.Rd, Wu-Ku Hsiang, Taipei Hsine, Taiwan Tel : +886-2-2299-2499
Korea	Mitsubishi Electric Automation Korea Co., Ltd. 1480-6, Gayang-dong, Gangseo-ku Seoul 157-200, Korea Tel : +82-2-3660-9552
Singapore	Mitsubishi Electric Asia Pte. Ltd. 307 Alexandra Road #05-01/02, Mitsubishi Electric Building, Singapore 159943 Tel : +65-6470-2460
Thailand	Mitsubishi Electric Automation (Thailand) Co., Ltd. Bang-Chan Industrial Estate No.111 Moo 4, Serithai Rd, T.Kannayao, A.Kannayao, Bangkok 10230 Thailand Tel : +66-2-517-1326
Indonesia	P. T. Autoteknikindo Sumber Makmur Muara Karang Selatan, Block A/Utara No.1 Kav. No.11 Kawasan Industri Pergudangan Jakarta - Utara 14440, P.O.Box 5045 Jakarta, 11050 Indonesia Tel : +62-21-6630833
India	Messung Systems Pvt. Ltd. Electronic Sadan NO:III Unit No15, M.I.D.C.Bhosari, Pune-411026, India Tel : +91-20-2712-3130
Australia	Mitsubishi Electric Australia Pty. Ltd. 348 Victoria Road, Rydalmere, N.S.W 2116, Australia Tel : +61-2-9684-7777

MITSUBISHI ELECTRIC CORPORATION
HEAD OFFICE: TOKYO BUILDING, 2-7-3 MARUNOUCHI, CHIYODA-KU, TOKYO 100-8310, JAPAN
NAGOYA WORKS: 1-14, YADA-MINAMI 5-CHOME, HIGASHI-KU, NAGOYA, JAPAN

When exported from Japan, this manual does not require application to the Ministry of Economy, Trade and Industry for service transaction permission.

Specifications subject to change without notice.
Printed in Japan, November 2013.