

MITSUBISHI ELECTRIC  
**GOT2000 Series  
CC-Link IE TSN  
Communication Unit**  
**User's Manual**  
  
**GT25-J71GN13-T2**  
  
Thank you for choosing Mitsubishi Electric Graphic Operation Terminal (GOT).  
  
Prior to use, please read both this manual and detailed manual thoroughly to fully understand the product.

MODEL	GT25-J71GN13-T2-U
MODEL CODE	1D7MV7
IB(NA)-0800633-C(2010)MEE	

© 2019 MITSUBISHI ELECTRIC CORPORATION

**SAFETY PRECAUTIONS**  
(Always read these precautions before using this equipment.)  
Before using this product, please read this manual and the relevant manuals introduced in this manual carefully and pay full attention to safety to handle the product correctly.  
The precautions given in this manual are concerned with this product.  
In this manual, the safety precautions are ranked as "WARNING" and "CAUTION".

**WARNING** Indicates that incorrect handling may cause hazardous conditions, resulting in death or severe injury.  
**CAUTION** Indicates that incorrect handling may cause hazardous conditions, resulting in medium or slight personal injury or physical damage.

Note that the CAUTION level may lead to a serious accident according to the circumstances.  
Always follow the precautions of both levels because they are important to personal safety.  
Please save this manual to make it accessible when required and always forward it to the end user.

**DESIGN PRECAUTIONS**  
**WARNING**  
● If a communication fails in data link, the faulty station holds the data link data generated before the communication error. Create an interlock circuit in the sequence program using the communication status information in order that the system will operate safely.  
● Failure to do so may cause mis-outputs or malfunctions, resulting in accidents. Check the faulty station and the operation status during communication error by referring to the relevant manuals.  
● Some failures of cable or communication unit may cause the GOT to keep the outputs on or off.  
Create an external circuit for monitoring output signals that may lead to serious accidents.  
Failure to do so may cause mis-outputs or malfunctions, resulting in accidents.

**WARNING**  
● If a communication fault (including cable disconnection) occurs during monitoring on the GOT, communication between the GOT and PLC CPU is suspended and the GOT becomes inoperative.  
For bus connection : The CPU becomes faulty and the GOT becomes inoperative.  
For other than bus connection: The GOT becomes inoperative.  
A system where the GOT is used should be configured to perform any significant operation to the system by using the switches of a device other than the GOT on the assumption that a GOT communication fault will occur.  
Not doing so can cause an accident due to false output or malfunction.  
● To maintain the security (confidentiality, integrity, and availability) of the GOT and the system against unauthorized access, DoS<sup>1</sup> attacks, computer viruses, and other cyberattacks from unreliable networks and devices via network, take appropriate measures such as firewalls, virtual private networks (VPNs), and antivirus solutions. Mitsubishi Electric shall have no responsibility or liability for any problems involving GOT trouble and system trouble by unauthorized access, DoS attacks, computer viruses, and other cyberattacks.  
<sup>1</sup> DoS: A denial-of-service (DoS) attack disrupts services by overloading systems or exploiting vulnerabilities, resulting in a denial-of-service (DoS) state.

**CAUTION**  
● Do not bunch the control wires or communication cables with the main circuit or power wires, or lay them close to each other.  
As a guide, separate the lines by a distance of at least 100 mm (3.94 inches) otherwise malfunctions may occur due to noise.

**MOUNTING PRECAUTIONS**  
**WARNING**  
● Be sure to shut off all phases of the external power supply used by the system before mounting or removing this unit to/from the GOT.  
Not doing so can cause a unit failure or malfunction.

**CAUTION**  
● Use this unit in the environment that satisfies the general specifications described in the User's Manual for the GOT used.  
Not doing so can cause an electric shock, fire, malfunction or product damage or deterioration.  
● When installing this unit to the GOT, fit it to the connection interface of the GOT and tighten the mounting screws in the specified torque range (0.36 N·m to 0.48 N·m) with a Phillips-head screwdriver No.2.  
Overtightening can cause a drop, failure or malfunction.  
● Do not directly touch the conductive part or electronic components of the unit.  
This may cause the unit to fail or malfunction.

**WIRING PRECAUTIONS**  
**WARNING**  
● Be sure to shut off all phases of the external power supply used by the system before wiring.  
Failure to do so may cause electric shock, product damage or malfunctions.

**CAUTION**  
● Be careful not to let foreign matter such as dust or wire chips get inside the unit. This may cause a fire, failure or malfunctions.  
● Make sure to securely connect the cable to the connector of unit.  
Incorrect connection may cause malfunctions.  
● Make sure to house the communication cables connected to the unit in ducts, or fix them with clamps. Failure to do so may cause damage of the unit or the cables due to accidental pull or unintentional shifting of the cables, or malfunctions due to poor contact of the cables.

**STARTUP/MAINTENANCE PRECAUTIONS**  
**WARNING**  
● Do not touch the connector while power is on.  
Failure to do so may cause electric shock or malfunctions.  
● Before starting cleaning or terminal screw retightening, always switch off the power externally in all phases.  
Not switching the power off in all phases can cause a unit failure or malfunction.  
Overtightening can cause a short circuit or malfunction.  
Under-tightening can cause a short circuit or malfunction due to the damage of the screws or unit.

**CAUTION**  
● Do not disassemble or modify the unit.  
This will cause failure, malfunction, injuries, or fire.  
● Do not touch the conductive areas and electronic parts of this unit directly.  
Doing so can cause a unit malfunction or failure.  
● When unplugging the cable connected to the unit, do not hold and pull from the cable portion.  
Doing so can cause the unit or cable to be damaged or can cause a malfunction due to a cable connection fault.  
● Make sure to touch the grounded metal to discharge the electricity charged in the body, etc., before touching the unit.  
Failure to do so may cause a failure or malfunctions of the unit.

**DISPOSAL PRECAUTIONS**  
**CAUTION**  
● Dispose of this product as industrial waste.

**TRANSPORTATION PRECAUTIONS**  
**CAUTION**  
● Make sure to transport the GOT main unit and/or relevant unit(s) in the manner they will not be exposed to the impact exceeding the impact resistance described in the general specifications of the User's Manual for the GOT used, as they are precision devices.  
Failure to do so may cause the unit to fail.  
Check if the unit operates correctly after transportation.  
● When fumigants that contain halogen materials such as fluorine, chlorine, bromine, and iodine are used for disinfecting and protecting wooden packaging from insects, they cause malfunction when entering our products. Please take necessary precautions to ensure that remaining materials from fumigant do not enter our products, or treat packaging with methods other than fumigation (heat method). Additionally, disinfect and protect wood from insects before packing products.

**Manual**  
The following shows manuals relevant to this product.

Manual name	Manual number (Model code)
GOT2000 Series User's Manual (Hardware) (Sold separately)	SH-081194ENG (1D7MJ5)
GOT2000 Series User's Manual (Monitor) (Sold separately)	SH-081196ENG (1D7MJ7)
GOT2000 Series Connection Manual (Mitsubishi Electric Products) For GT Works3 Version1 (Sold separately)	SH-081197ENG (1D7MJ8)

For the relevant manuals, refer to the e-Manual or PDF manuals stored in the DVD-ROM for the screen design software.  
The latest manuals are also available from MITSUBISHI ELECTRIC FA Global Website (www.MitsubishiElectric.com/fa).

**Compliance with the EMC and Low Voltage Directives**  
To configure a system meeting the requirements of the EMC and Low Voltage Directives when incorporating the Mitsubishi GOT (EMC and Low Voltage Directives compliant) into other machinery or equipment, refer to "EMC AND LOW VOLTAGE DIRECTIVES" of the General Description included with the GOT used. The CE mark, indicating compliance with the EMC and Low Voltage Directives, is printed on the rating plate of the GOT.

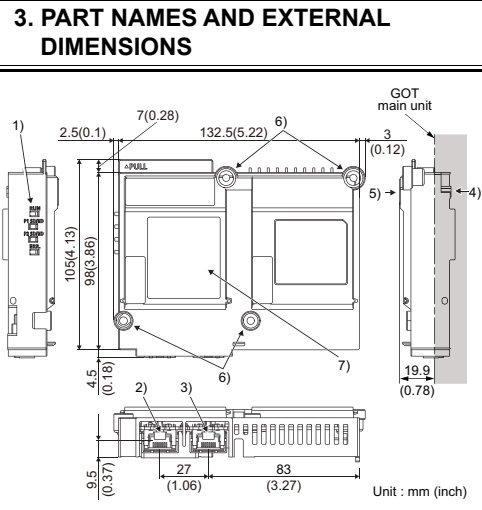
**Compliance with the new China RoHS directive**  
GOT 相关的基于“电器电子产品有害物质限制使用管理办法”要求的表示方法

**15** Note: This symbol mark is for China only.  
含有有害6物质的名称、含有量、含有部件  
本产品中所含有的有害6物质的名称、含有量、含有部件如下表所示。  
产品中有害物质的名称及含量

部件名称	有害物质					
	铅 (Pb)	汞 (Hg)	镉 (Cd)	六价铬 (Cr(VI))	多溴联苯 (PBB)	多溴二苯醚 (PBDE)
电路板组件	×	○	○	○	○	○
树脂壳体、电轴、膜材	○	○	○	○	○	○
钣金部件、螺母等金属部件	×	○	○	○	○	○

本表格依据 SJ/T11364 的规定编制。  
○ : 表示该有害物质在该部件所有均质材料中的含量均在 GB/T26572 规定的限量要求以下。  
× : 表示该有害物质至少在该部件的某一均质材料中的含量超出 GB/T26572 规定的限量要求。

**Referenced Standard: GB/T15969.2 (Requirement of Chinese standardized law)**



No.	Name	Description
1)	Indicator LED	➡ (1) Indicator LED
2)	Connection interface (PORT1 side)	For connecting Ethernet cables
3)	Connection interface (PORT2 side)	➡ (2) LEDs on a connection interface
4)	Interface connector	Extension connector installed to a front extension unit or the GOT.
5)	Extension connector	Extension connector to which a back extension unit is installed
6)	Mounting screw	Mounting screws fixed with a front extension unit or the GOT
7)	Rating plate	-

(1) Indicator LED  
A LED indicates the status of the CC-Link IE TSN communication unit and the communication status.

LED name	Description
RUN LED	Indicates the operation status. ON: Normal OFF: Error
P1 SD/RD LED	Indicates the data transmission and reception status. ON: Sending or receiving data OFF: Not sending or receiving data
P2 SD/RD LED	Indicates the unit status. ON: Unit error or errors in all stations Blink (200 ms interval): Unit error Blink (500 ms interval): Data link faulty station detected <sup>1</sup> OFF: Normal The LED is off when the GOT is in offline mode. Check the error in [Network Status Display] in the GOT utility. For details on [Network Status Display], refer to the following. ➡ GOT2000 Series User's Manual (Monitor)
ERR LED	

<sup>1</sup>This is available only in the multicast mode.  
Note that the LED remains off when an authentication class A device on a remote station has a data link error.

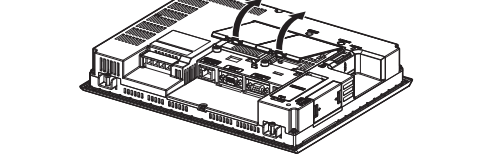
(2) LEDs on a connection interface  
A LED indicates the link status of the CC-Link IE TSN communication unit and the reception status.

LED name	Description
L ER LED	Indicates the data reception status. ON: Abnormal data received OFF: Normal data received The LED is off when the GOT is in offline mode.
LINK LED	Indicates the link status. ON: Link-up OFF: Link-down

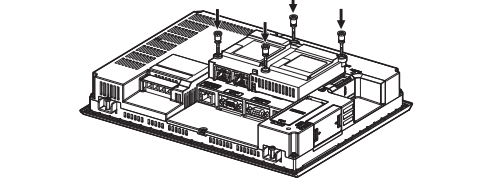
**4. INSTALLATION PROCEDURE**  
**CAUTION**  
● When installing this unit to the GOT, fit it to the connection interface of the GOT and tighten the mounting screws in the specified torque range (0.36 N·m to 0.48 N·m) with a Phillips-head screwdriver No.2.  
Overtightening can cause a drop, failure or malfunction.  
Under-tightening can cause a drop, failure or malfunction due to screw or unit damage.

The following shows how to mount the CC-Link IE TSN communication unit on GT2712 as an example.  
Mount the CC-Link IE TSN communication unit on the first stage of the extension interface.

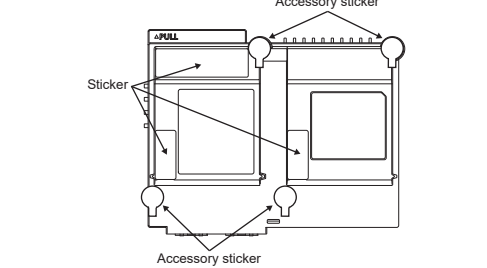
- Turn off the GOT.
- Pull up the two extension unit cover tabs to remove the covers.



3) Connect the CC-Link IE TSN communication unit to the extension interface on the GOT.  
Tighten four mounting screws to a torque of 0.36 N·m to 0.48 N·m to fix the unit.



4) When mounting an extension unit on the extension interface of the CC-Link IE TSN communication unit, do not attach the accessory stickers.  
When mounting no extension unit on the extension interface of the unit, cover over four mounting screws with the accessory stickers to guard against static electricity.  
Leave the stickers in place.



**5. PRECAUTIONS FOR WIRING CABLES**

- Confirm the followings on the Ethernet cable used.
  - If there is no disconnection
  - If there is no short circuit
  - If there is no connection problem at the connectors
- Do not use Ethernet cables with broken latches.  
Using Ethernet cables with broken latches may cause cable disconnection or malfunction.
- When connecting or removing the Ethernet cables to/from the unit, hold the Ethernet cable connector securely with the hands.
- Connect the Ethernet cable connector and unit connector securely until you hear a click sound.
- For connecting Ethernet cables to the unit, the bending radius of the cables must be within the specified range.  
For details, check the specifications of the cables to be used.
- When connecting an Ethernet cable, do not touch the cable pins or the port pins on the unit, and prevent dirt or dust from adhering to the pins.  
Otherwise, there may be further losses in transmission, causing a communication error in the data link.
- Wire the connector to the Ethernet cable correctly.  
After wiring, perform a loop test or station-to-station test or others to confirm if the setting and wiring of CC-Link IE TSN communication unit have been done properly.

**Packing List**  
After unpacking the box, check that the following products are included.

Model	Product	Quantity
GT25-J71GN13-T2	CC-Link IE TSN communication unit	1
	Mounting screw set (2 screws, 2 stickers)	2
	GOT2000 Series CC-Link IE TSN Communication Unit User's Manual (This manual)	1

**1. OVERVIEW**  
This user's manual describes the CC-Link IE TSN communication unit.  
The CC-Link IE TSN communication unit allows GOT2000 series to function as a slave station (local station) on the CC-Link IE TSN network.  
For compatible GOTs, refer to the GOT user's manual.  
When using the CC-Link IE TSN connection, make the communication setting to perform communication with programmable controllers.

**2. SPECIFICATIONS**  
The general specifications of the CC-Link IE TSN communication unit are the same as those of the GOT.  
For the general specifications of the GOT, refer to the GOT user's manual.  
The performance specifications of the CC-Link IE TSN communication unit are indicated below.

Item	Specifications
Station type	Slave station (local station)
Max. link device points per network	RX 16K points (16384 points, 2Kbytes)
	RY 16K points (16384 points, 2Kbytes)
	RWr 8K points (8192 points, 16Kbytes)
	RWw 8K points (8192 points, 16Kbytes)
Max. link device points per GOT	LB 32K points (32768 points, 4Kbytes)
	LW 16K points (16384 points, 32Kbytes)
	RX 16K points (16384 points, 2Kbytes)
	RY 16K points (16384 points, 2Kbytes)
Transmission specifications	RWr 8K points (8192 points, 16Kbytes)
	RWw 8K points (8192 points, 16Kbytes)
	LB 32K points (32768 points, 4Kbytes)
	LW 16K points (16384 points, 32Kbytes)
Communication speed	1 Gbps, 100 Mbps
Connection cable	● An Ethernet cable that meets the 1000BASE-T standard: Category 5e or higher (double shielded, STP), straight cable ● An Ethernet cable that meets the 100BASE-TX standard: Category 5 or higher (double shielded, STP), straight cable
Max. station-to-station distance	100 m (conform to ANSI/TIA/EIA-568-B (category 5e))
Overall cable distance	● Line topology: 12000 m (for connecting 1 master station and 120 slave stations) ● Ring topology: 12100 m (for connecting 1 master station and 120 slave stations) ● Other: Depending on the system configuration
Max. number of cascaded stages	20
Transmission path	Line topology, star topology, line-star topology, or ring topology
Authentication class	B
Max. number of stations per network	121 (1 master station and 120 slave stations)
Max. number of networks	239
Communication method	Time division method
Transient transmission capacity	maximum 1920 bytes
Internal current consumption	0.92 A
Weight	0.17 kg

**Warranty**  
Mitsubishi Electric will not be held liable for damage caused by factors found not to be the cause of Mitsubishi Electric; machine damage or lost profits caused by faults in the Mitsubishi Electric products; damage, secondary damage, accident compensation caused by special factors unpredictable by Mitsubishi Electric; damages to products other than Mitsubishi Electric products; and to other duties.  
**For safe use**  
● This product has been manufactured as a general-purpose part for general industries, and has not been designed or manufactured to be incorporated in a device or system used in purposes related to human life.  
● Before using the product for special purposes such as nuclear power, electric power, aerospace, medicine or passenger movement vehicles, consult with Mitsubishi Electric.  
● This product has been manufactured under strict quality control. However, when installing the product where major accidents or losses could occur if the product fails, install appropriate backup or failsafe functions in the system.

Country/Region	Sales office/Tel
USA	Mitsubishi Electric Automation, Inc. 500 Corporate Woods Parkway, Vernon Hills, IL 60061, U.S.A. Tel: +1-847-478-2100
Brazil	Mitsubishi Electric do Brasil Comercio e Servicos Ltda. Avenida Adelino Cardana, 293, 21 andar, Bethaville, Barueri SP, Brazil Tel: +55-11-4693-3000
Mexico	Mitsubishi Electric Automation, Inc. Mexico Branch Boulevard Miguel de Cervantes Saavedra 301, Torre Norte Piso 5, Ampliación Granada, Miguel Hidalgo, Ciudad de Mexico, Mexico, C.P.11520 Tel: +52-55-3067-7512
Germany	Mitsubishi Electric Europe B.V. German Branch Mitsubishi-Electric-Platz 1, 40882 Ratingen, Germany Tel: +49-2102-486-0
UK	Mitsubishi Electric Europe B.V. UK Branch Travelers Lane, UK-Hatfield, Hertfordshire, AL10 8XB, U.K. Tel: +44-1707-28-8780
Italy	Mitsubishi Electric Europe B.V. Italian Branch Centro Direzionale Colleoni - Palazzo Sirio, Viale Colleoni 7, 20064 Agrate Brianza (MB), Italy Tel: +39-039-60531
Spain	Mitsubishi Electric Europe B.V. Spanish Branch Carretera de Rubi, 76-80-Appdo. 420, E-08190 Sant Cugat del Valles (Barcelona), Spain Tel: +34-935-65-3131
France	Mitsubishi Electric Europe B.V. French Branch 25, Boulevard des Bourets, 92741 Nanterre Cedex, France Tel: +33-1-55-68-55-68
Czech	Mitsubishi Electric Europe B.V. Czech Branch Pekarský pr. 2, bld 2, It "Sch", BC "Benau", office 720, 195027 St. Petersburg, Russia Tel: +420-255 719 200
Turkey	Mitsubishi Electric Turkey A.S. Umraniye Branch Serfil Mahallesi Nutuk Sokak No:5, TR-34775 Umraniye / Istanbul, Turkey Tel: +90-216-526-3990
Poland	Mitsubishi Electric Europe B.V. Polish Branch ul. Krakowska 48, 32-063 Balice, Poland Tel: +48-12-347-65-00
Russia	Mitsubishi Electric (Russia) LLC St. Petersburg Branch Pekarsky pr. 2, bld 2, It "Sch", BC "Benau", office 720, 195027 St. Petersburg, Russia Tel: +7-812-633-3497
South Africa	Adrol Technologies 20 Waterford Office Park, 189 Witkoppen Road, Fourways, South Africa Tel: +27-11-658-8100
China	Mitsubishi Electric Automation (China) Ltd. Mitsubishi Electric Automation Center, No.1386 Hongqiao Road, Shanghai, China Tel: +86-21-2322-3030
Taiwan	SETSUYO ENTERPRISE CO., LTD. 6F, No.105, Wugong 3rd Road, Wugu District, New Taipei City 24889, Taiwan Tel: +886-2-2299-2499
Korea	Mitsubishi Electric Automation Korea Co., Ltd. 7F to 9F, Gangseo Hangang Xi-tower A, 401, Yangcheon-ro, Gangseo-Gu, Seoul 07528, Korea Tel: +82-2-3660-9569
Singapore	Mitsubishi Electric Asia Pvt. Ltd. 307 Alexandra Road, Mitsubishi Electric Building, Singapore 159943 Tel: +65-6473-2308
Thailand	Mitsubishi Electric Factory Automation (Thailand) Co., Ltd. 12th Floor, SV City Building, Office Tower 1, No. 89/19 and 20 Rama 3 Road, Kwang Bangpanggang, Khet Yamnawa, Bangkok 10120, Thailand Tel: +66-2682-6522 to 31
Indonesia	PT. Mitsubishi Electric Indonesia Gedung Jaya 8th Floor, J.L. MH. Thamrin No.12, Jakarta Pusat 10340, Indonesia Tel: +62-21-5192-6461
Vietnam	Mitsubishi Electric Vietnam Company Limited 11th & 12th Floor, Viettel Tower B, 285 Cach Mang Thang 8 Street, Ward 12, District 10, Ho Chi Minh City, Vietnam. Tel: +84-28-3910-5945
India	Mitsubishi Electric India Pvt. Ltd. Pune Branch Emerald House, EL-3, J. Block, M.I.D.C., Bhosari, Pune - 411026, Maharashtra, India Tel: +91-20-2710-2000
Australia	MITSUBISHI ELECTRIC AUSTRALIA PTY. LTD. 348 Victoria Road, P.O. Box 11, Rydalmere, N.S.W. 2116, Australia Tel: +61-2-9684-7777

**MITSUBISHI ELECTRIC CORPORATION**  
HEAD OFFICE: TOKYO BUILDING, 2-7-3 MARUNOUCHI, CHYODU-KU, TOKYO 100-8310, JAPAN  
NAGOYA OFFICE: 1-14, YADA-MINAMI 5-CHOME, HIGASHI-KU, NAGOYA, JAPAN  
When exported from Japan, this manual does not require application to the Ministry of Economy, Trade and Industry for service transaction permission.  
Specifications subject to change without notice.  
Printed in Japan, October 2020.