

GOT Simple

Graphic Operator Terminals

Entry-level visualisation technology
for reliable systems



**IMPROVED
PERFORMANCE**

Excellent performance and cost effectiveness

CONNECTED

Deeply integrated into the Mitsubishi Electric factory automation solutions

**EASY
SET-UP**

Easy and intuitive to use and fast to configure

**HIGHEST
STANDARDS**

Brilliant sharp 7" and 10" wide screen color TFT displays

Simple, high functioning and user-friendly



Easy and flexible HMI solutions minimize downtime and reduce engineering efforts



Perfect interaction with factory automation products

Simple but inspired

Mitsubishi Electric completes his successful GOT HMI series with the inexpensive GOT Simple series, which provides excellent cost effectiveness. The GOT Simple series was designed to optimize operator control and monitoring of various factory automation products.

With a good performance level and advanced functions these new HMIs provide features that will help to reduce downtime, enable fast recovery from simple errors, increase availability and boost production efficiency. More than simply displaying data, the GOT Simple series delivers genuine perspective on the automation process and provide a platform to solve typical production demands in an economically way. They are easy to use, highly reliable and provide excellent serviceability.

Actually two different models are available: the GS2107 with 7" wide screen display and the GS2110 with 10" wide screen display. The display of both models has a WVGA resolution of 800x480 pixels, an LED backlight and can display up to 65536 colors. 9 MB of internal memory gives the user much room for his applications.

Both GOT provide Ethernet, RS232 and RS422 communications. A SD card and a rear USB device port deliver increased flexibility.

Connectivity to various devices

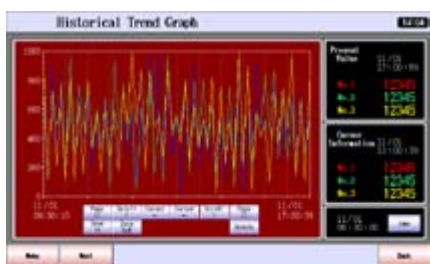
Each GOT Simple offers high connectivity to Mitsubishi Electric factory automation products like PLCs, frequency inverters or servo drives, to simplify the system set up. Thanks to the Ethernet communication possibility users can access the GOT easily from a PC for programming and monitoring or to connect it to the machine network. The serial interfaces RS232 and RS422 allow the direct connection of bar-code readers or temperature controllers. Further the GOT Simple comes with the "FA transparent" function that enables users to link from a PC through the HMI to any supported connected Mitsubishi Electric automation products.

Integrated SD card slot

The integrated SD card slot is SDHC compliant for large volumes of data. It can be used for data backup and is very useful for replacement or maintenance of the GOT Simple. Data can be easily copied from one GOT to another without any special knowledge. After transfer of the screen data and all the necessary system data to the SD card, another GOT Simple can be operated via the memory card by just inserting the memory card into the slot. A new GOT without any data can be started very quickly this way.

Logging function

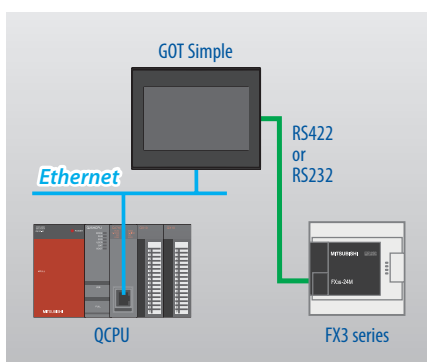
Data from multiple connected industrial devices can be collected and managed by the GOT Simple. It is possible to collect these data at an arbitrary timing. Those data may give some indication about the condition of a connected device and can be helpful for status analysis and maintenance. To monitor the data on the GOT, checking is easy by scrolling the screen window or by specifying a time. The data can be displayed as a historical trend graph.



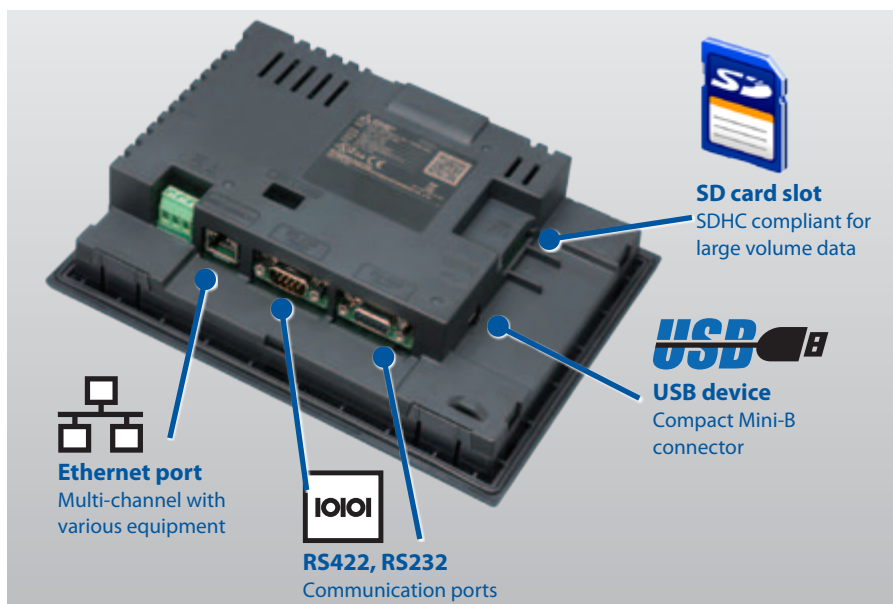
View logging data directly on the GOT Simple

Multi-channel function

The GOT Simple operator panels enable Ethernet, RS232 and RS422 communications in multi-channel mode. Up to 2 industrial devices can be controlled with one GOT Simple. The data can be easily transferred between the devices with just simple settings in the HMI design software GTWorks3 from Mitsubishi Electric



Multichannel connectivity



Connectivity to various devices

FA transparent function

Sequence programs and parameters can easily be modified at the workspace, so there is no need to transfer data to an external programming device. Users do not have to bother with changing cable connections. The GOT Simple acts in this case as a transparent gateway to enable programming, start-up and adjustment of industrial devices from Mitsubishi Electric.

Recipe function

Recipe information, such as material blend and machine conditions are saved in the GOT. The information can be written from the GOT Simple to programmable controllers. Adjusted data can also be read and stored in the GOT.

Enhanced security

The operator authentication function offers enhanced security control by using password control. By setting the level (authority) of operation and display for each operator the GOT can strengthen security and prevent operation errors.

Easy screen design

With the HMI design software GT Works3 Mitsubishi Electric offers a powerful tool with features such as the ability to use templates and sample projects. This greatly reduces the number of steps in the screen creation process. GT Works3 also offers a full suite of common functions, objects and shapes. This all reduces the engineering efforts drastically which results in faster return on investment.



Easy screen design with GT Works3

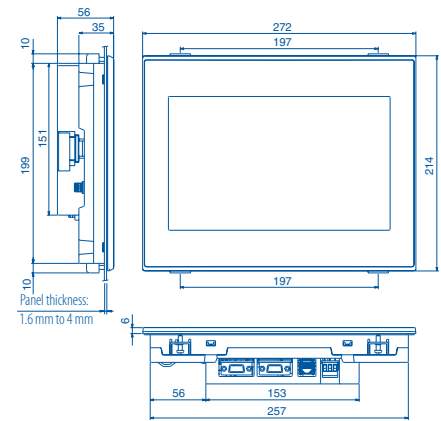
Specifications

Type	GS2110-WTBD	GS2107-WTBD
Display device	TFT color LCD	
Screen size	10"	7"
Resolution dots	800x480	
Display size (WxH) mm	222x132.5 (horizontal format)	154x85.9 (horizontal format)
Number of characters	16-dot standard font: 50 chars. x 30 lines (2-byte) (horizontal format)	
Display color	65536 colors	
Backlight	LED (not replaceable), Backlight off/screen saving time can be set.	
Touch panel	Analog resistive film	
Key size	Minimum 2x2 dots (per key)	
Simultaneous press	Simultaneous press prohibited (only 1 point can be pressed)	
Life	1 million times (operating force 0.98 N or less)	
Memory	Flash memory (internal) (9 MB), for storing project data, OS	
C drive	Life (no. of writings) 100,000 times	
RS422	1 ch, Transmission speed: 115200/57600/38400/19200/9600/4800bps Connector shape: D-Sub 9pin (female); Application: For communication with controllers Terminating resistor: 330 Ω fixed	
RS232	1 ch, Transmission speed: 115200/57600/38400/19200/9600/4800bps Connector shape: D-Sub 9pin (male); Application: For communication with controllers and a barcode reader, for connecting a personal computer (Project data read/write, FA transparent function)	
Ethernet	Data transfer method: 100BASE-TX, 10BASE-T, 1 ch, Connector shape: RJ-45 (modular jack); Application: For communication with controllers, for connecting a personal computer (Project data read/write, FA transparent function)	
USB	USB (Full Speed 12 Mbps), 1 ch, Connector shape: Mini-B; Application: For connecting a personal computer (Project data read/write, FA transparent function)	
SD card	1 ch, Supported memory card: SDHC memory card, SD memory card; Application: Project data read/write, logging data save	
Buzzer output	Single tone (LONG/SHORT/OFF adjustable)	
Protective structure	IP65F (Only the front part of the panel)	
External dimensions (WxHxD)	mm 272x214x56	206x155x50
Weight	kg Approx. 1.3 (excl. mounting brackets)	Approx. 0.9 (excl. mounting brackets)
Compatible software package	Version 1.105K or later * (english version)	

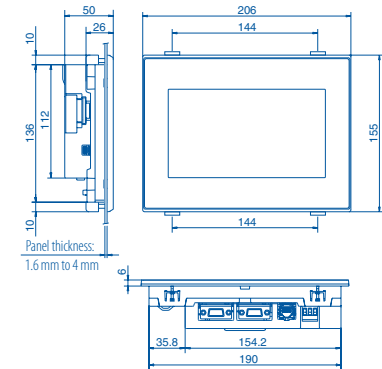
*: Installation of GS installer is required.

Dimensions

GS2110-WTBD



GS2107-WTBD



All dimensions in mm

European Offices

Mitsubishi Electric Europe B.V. Gothaer Straße 8 D-40880 Ratingen Phone: +49 (0)2102 / 486-0	Germany	Mitsubishi Electric (Russia) LLC 52, bld. 1 Kosmodamianskaya emb. RU-115054 Moscow Phone: +7 495 / 721 2070	Russia
Mitsubishi Electric Europe B.V. Radlická 751/113e Avenir Business Park CZ-158 00 Praha 5 Phone: +420 251 551 470	Czech Rep.	Mitsubishi Electric Europe B.V. Carretera de Rubí 76-80 Apdo. 420 E-08190 Sant Cugat del Valles (Barcelona) Phone: +34 (0) 93 / 5653131	Spain
Mitsubishi Electric Europe B.V. 25, Boulevard des Bouvets F-92741 Nanterre Cedex Phone: +33 (0)1 / 55 68 55 68	France	Mitsubishi Electric Europe B.V. (Scandinavia) Fjellvegøen 8 SE-22736 Lund Phone: +46 (0) 8 625 10 00	Sweden
Mitsubishi Electric Europe B.V. Vale Colleoni 7 Palazzo Sirio I-20864 Agrate Brianza (MB) Phone: +39 039 / 60 53 1	Italy	Mitsubishi Electric Turkey Elektrik Ürünleri A.Ş. Serifali Mahallesi Nutuk Sokak No:5 TR-34775 Ümraniye-İSTANBUL Phone: +90 (0)216 / 526 39 90	Turkey
Mitsubishi Electric Europe B.V. Westgate Business Park, Ballymount IRL-Dublin 24 Phone: +353 (0)1 4198800	Ireland	Mitsubishi Electric Europe B.V. UK-Hatfield, Herts. AL10 8XB Phone: +44 (0)1707 / 28 87 80	UK
Mitsubishi Electric Europe B.V. Nijverheidsweg 23a NL-3641RP Mijdrecht Phone: +353 (0)1 4198800	Netherlands	Mitsubishi Electric Europe B.V. Dubai Silicon Oasis United Arab Emirates - Dubai Phone: +971 4 3724716	UAE
Mitsubishi Electric Europe B.V. ul. Krakowska 50 PL-32-083 Balice Phone: +48 (0) 12 347 65 00	Poland		

Representatives

GEVA Wiener Straße 89 A-2500 Baden Phone: +43 (0)2252 / 85 55 20	Austria	Beijer Electronics A/S Lykkegardsvej 17 DK-4000 Roskilde Phone: +45 (0)46 / 75 76 66	Denmark	Beijer Electronics SIA Rītausmas iela 23 LV-1058 Rīga Phone: +371 (0)6 / 784 2280	Latvia	Sirius Trading & Services Aleea Lacul Morii Nr. 3 RO-060841 Bucuresti, Sector 6 Phone: +40 (0)21 / 430 40 06	Romania	ILAN & GAVISH Ltd. 24 Shenkar St., Kiryat Arie IL-49001 Petah-Tikva Phone: +972 (0)3 / 922 18 24	Israel
OOO TECHNIKON Prospect Nezavisimosti 177-9 BY-220125 Minsk Phone: +375 (0)17 / 393 1177	Belarus	HANS FOLSGAARD A/S Theligaards Torv 1 DK-4600 Køge Phone: +45 4320 8600	Denmark	Beijer Electronics UAB Goštautu g. 3 LT-48324 Kaunas Phone: +370 37 262707	Lithuania	INEA SR d.o.o. Ul. Karadordjeva 12/217 SER-11300 Smederevo Phone: +386 (0)26 / 461 54 01	Serbia	GIRIT CELADON Ltd. 12 Haomanut Street IL-42505 Netanya Phone: +972 (0)9 / 863 39 80	Israel
ESCO DRIVES Culliganlaan 3 BE-1831 Diegem Phone: +32 (0)2 / 717 64 60	Belgium	Beijer Electronics Eesti OÜ Pärnu mnt.160i EE-11317 Tallinn Phone: +372 (0)6 / 51 81 40	Estonia	ALFATRADER Ltd. 99, Paola Hill Malta-Paola PLA 1702 Phone: +356 (0)21 / 697 816	Malta	SIMAP SK Jána Derku 1671 SK-911 01 Trenčín Phone: +421 (0)32 743 0472	Slovakia	CEG LIBAN Cebaco Center/Block A Autostrade DORA Lebanon-Beirut Phone: +961 (0)1 / 240 445	Lebanon
KONING & HARTMAN B.V. Woluwelaan 31 BE-1800 Vilvoorde Phone: +32 (0)2 / 257 02 40	Belgium	Beijer Electronics OY Vanha Nurmiinjärventie 62 FIN-01670 Vantaa Phone: +358 (0)207 / 463 500	Finland	INTEHISIS SRL bld. Traian 23/1 MD-2060 Kishinev Phone: +373 (0)22 / 66 4242	Moldova	INEA RBT d.o.o. Slegne 11 SI-1000 Ljubljana Phone: +386 (0)1 / 513 8116	Slovenia	ADROIT TECHNOLOGIES 20 Waterford Office Park 189 Witkoppen Road ZA-Fourways Phone: +27 (0)11 / 658 8100	South Africa
INEA RBT d.o.o. Bosnia and Herzegovina Stegne 11 SI-1000 Ljubljana Phone: +386 (0)1 / 513 8116	Bosnia and Herzegovina	PROVENDOR OY Fertit utka 14, HU-1107 Budapest Phone: +385 (0)1 / 36 940 - 017 - 02 / -03	Finland	HIFLEX AUTOM. B.V. Wolwevestraat 22 NL-2984 CD Ridderkerk Phone: +31 (0)180 / 46 60 04	Netherlands	Beijer Electronics Automation AB Box 426 SE-20124 Malmö Phone: +46 (0)40 / 35 86 00	Sweden		
AKHNATON 4, Andrei Lipachev Blvd., P.O. Box 21 BG-1756 Sofia Phone: +359 (0)2 / 817 6000	Bulgaria	UTECO A.B.E.E. 5, Mavrogenous Str. GR-18542 Piraeus Phone: +359 (0)211 / 1206-900	Greece	KONING & HARTMAN B.V. Netherlands NL-2627 AP Delft Phone: +31 (0)15 260 99 06	Netherlands	OMNI RAY AG Im Schörlis CH-8600 Dübendorf Phone: +41 (0)44 / 802 28 80	Switzerland		
INEA CR Losinjka 4 a HR-10000 Zagreb Phone: +385 (0)1 / 36 940 - 017 - 02 / -03	Croatia	MELTRADER Kft. Fertit utka 14, HU-1107 Budapest Phone: +36 (0)1 / 431-9726	Hungary	Beijer Electronics AS Postboks 487 NO-3002 Drammen Phone: +47 (0)32 / 24 30 00	Norway	OOO "CSC-AUTOMATION" 4-B, M. Rasikovyi St. UA-02660 Kiev Phone: +380 (0)44 / 494 33 44	Ukraine		
AutoCont C.S. S.R.O. Kařkova 1853/3 CZ-702 00 Ostrava 2 Phone: +420 595 691 150	Czech Republic	T00 Kazpromavtomatika Ul. Zhambyla 28 KAZ-100017 Karaganda Phone: +7 7212 / 50 10 00	Kazakhstan	Fonseca S.A. R. João Francisco do Casal 87/89 PF-3801-997 Aveiro, Esqueira Phone: +351 (0)234 / 303 900	Portugal				



Mitsubishi Electric Europe B.V. / FA - European Business Group / Gothaer Straße 8 / D-40880 Ratingen / Germany / Tel.: +49(0)2102-4860 / Fax: +49(0)2102-4861120 / info@mitsubishi-automation.com / https://eu3a.mitsubishielectric.com

Art. no. 281585-A / 11.2014 / Specifications subject to change / All trademarks and copyrights acknowledged.

