

**MITSUBISHI ELECTRIC**

# GOT2000/GOT1000 Series Sound Output Unit

## User's Manual

### GT15-SOUT

Thank you for choosing Mitsubishi Electric Graphic Operation Terminal (GOT).

**Prior to use, please read both this manual and detailed manual thoroughly to fully understand the product.**

|                           |             |
|---------------------------|-------------|
| MODEL                     | GT15-SOUT-U |
| MODEL CODE                | 1D7M68      |
| IB(NA)-0800383-J(1806)MEE |             |

© 2007 MITSUBISHI ELECTRIC CORPORATION

**SAFETY PRECAUTIONS**

(Always read these precautions before using this equipment.)

Before using this product, please read this manual and the relevant manuals introduced in this manual carefully and pay full attention to safety to handle the product correctly. The precautions given in this manual are concerned with this product. In this manual, the safety precautions are ranked as "WARNING" and "CAUTION".

**WARNING** Indicates that incorrect handling may cause hazardous conditions, resulting in death or severe injury.

**CAUTION** Indicates that incorrect handling may cause hazardous conditions, resulting in medium or slight personal injury or physical damage.

Note that the CAUTION level may lead to a serious accident according to the circumstances. Always follow the precautions of both levels because they are important to personal safety. Please save this manual to make it accessible when required and always forward it to the end user.

**[DESIGN PRECAUTIONS]**

**CAUTION**

- Do not bunch the control wires or communication cables with the main circuit or power wires, or lay them close to each other. As a guide, separate the lines by a distance of at least 100mm (3.94 inches) otherwise malfunctions may occur due to noise.

**[INSTALLATION PRECAUTIONS]**

**WARNING**

- Be sure to shut off all phases of the external power supply used by the system before mounting or removing this unit to/from the GOT. Not doing so can cause a unit failure or malfunction.
- Before connecting the Bus connection cable to this unit, always shut off GOT power and PLC CPU power externally in all phases. Not doing so can cause a malfunction.

**CAUTION**

- Use this unit in the environment that satisfies the general specifications described in the User's Manual for the GOT used. Not doing so can cause an electric shock, fire, malfunction or product damage or deterioration.
- When installing this unit to the GOT, fit it to the connection interface of the GOT and tighten the mounting screws in the specified torque range. Undertightening can cause a drop, failure or malfunction. Overtightening can cause a drop, failure or malfunction due to screw or unit damage.

**[WIRING PRECAUTIONS]**

**WARNING**

- Be sure to shut off all phases of the external power supply used by the system before wiring. Failure to do so may result in an electric shock, product damage or malfunctions.

**CAUTION**

- Exercise care to avoid foreign matter such as chips and wire cutouts entering the unit. Not doing so can cause a fire, failure or malfunction.

**[STARTUP AND MAINTENANCE PRECAUTIONS]**

**WARNING**

- Before starting cleaning, always shut off GOT power externally in all phases. Not doing so can cause a unit failure or malfunction. Undertightening can cause the GOT to drop, short circuit or malfunction. Overtightening can cause a short circuit or malfunction due to the damage of the screws or unit.
- Do not disassemble or modify any unit. This will cause failure, malfunction, injuries, or fire.
- Do not touch the conductive areas and electronic parts of this unit directly. Doing so can cause a unit malfunction or failure.
- Always secure the cables connected to the unit, e.g. run them in conduits or clamp them. Not doing so can cause unit or cable damage due to dangling, moved or accidentally pulled cables or can cause a malfunction due to a cable contact fault.

**CAUTION**

- Do not hold the cable part when unplugging any cable connected to the unit. Doing so can cause unit or cable damage or a malfunction due to a cable contact fault.
- Do not drop the module or subject it to string shock. A module damage may result.
- Always make sure to touch the grounded metal to discharge the electricity charged in the body, etc., before touching the unit. Failure to do so may cause a failure or malfunctions of the unit.

**[DISPOSAL PRECAUTIONS]**

**CAUTION**

- Dispose of this product as industrial waste.

**[TRANSPORTATION PRECAUTIONS]**

**CAUTION**

- Make sure to transport the GOT main unit and/or relevant unit(s) in the manner they will not be exposed to the impact exceeding the impact resistance described in the general specifications of the User's Manual for the GOT used, as they are precision devices. Failure to do so may cause the unit to fail. Check if the unit operates correctly after transportation.

**Manual**

The following shows manuals relevant to this product.

Detailed Manuals

| Manual name   | Manual number (Model code) |
|---|----------------------------|
| GOT2000 Series User's Manual(Hardware) (Sold separately)  | SH-081194ENG (1D7MJ5)      |
| GOT2000 Series Connection Manual (Microcomputer,MODBUS/Fieldbus Products,Peripherals) (Sold separately)       | SH-081200ENG               |
| GT16 User's Manual (Hardware) (Sold separately)   | SH-080928ENG (1D7MD3)      |
| GT15 User's Manual (Sold separately)  | SH-080528ENG (1D7M23)      |
| GOT1000 Series Connection Manual (Microcomputer,MODBUS Products, Peripherals) for GT Works3 (Sold separately) | SH-080871ENG (1D7MC5)      |

Relevant Manuals

For relevant manuals, refer to the PDF manuals stored in the DVD-ROM for the drawing software used.

**Compliance with the EMC and Low Voltage Directives**

To configure a system meeting the requirements of the EMC and Low Voltage Directives when incorporating the Mitsubishi GOT (EMC and Low Voltage Directives compliant) into other machinery or equipment, refer to "EMC AND LOW VOLTAGE DIRECTIVES" of the General Description included with the GOT used. The CE mark, indicating compliance with the EMC and Low Voltage Directives, is printed on the rating plate of the GOT.

**Compliance with the new China RoHS directive**

GOT 相关的基于“电器电子产品有害物质限制使用管理办法”要求的表示方法

**15**

Note: This symbol mark is for China only.

含有有害6物质的名称、含量、含有部件  
本产品中所含的有害6物质的名称、含量、含有部件如下表所示。  
产品中含有有害物质的名称及含量

| 部件名称         | 有害物质   |        |        |              |            |              |
|--------------|--------|--------|--------|--------------|------------|--------------|
|              | 铅 (Pb) | 汞 (Hg) | 镉 (Cd) | 六价铬 (Cr(VI)) | 多溴联苯 (PBB) | 多溴二苯醚 (PBDE) |
| 电路板组件        | ×      | ○      | ○      | ○            | ○          | ○            |
| 树脂壳体、电缆、线材   | ○      | ○      | ○      | ○            | ○          | ○            |
| 钣金部件、螺丝等金属部件 | ○      | ○      | ○      | ○            | ○          | ○            |

本表格依据 SJ/T11364 的规定编制。  
○：表示该有害物质在该部件所有均质材料中的含量均在 GB/T26572 规定的限量要求以下。  
×：表示该有害物质至少在该部件的某一均质材料中的含量超出 GB/T26572 规定的限量要求。

**Referenced Standard: GB/T15969.2 (Requirement of Chinese standardized law)**

**Packing List**

After unpacking the box, check that the following products are included.

| Model name | Product name   | Quantity |
|------------|--|----------|
| GT15-SOUT  | Sound output unit  | 1        |
| -          | Mounting screw set (2 pieces of screw, 2 pieces of label)            | 1        |
| -          | Cable clamp set  | 1        |
| -          | GOT2000/GOT1000 Series Sound Output Unit User's Manual (This manual) | 1        |

**1. OVERVIEW**

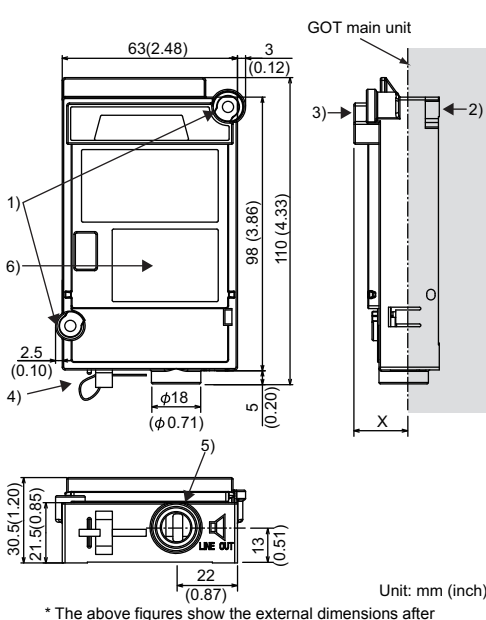
This user's manual describes the GOT2000/GOT1000 series sound output unit (hereinafter referred to as the sound output unit). With installing the sound output unit, the GOT can be connected to a speaker with amplifier (hereinafter referred to as external speaker). When using the sound output unit, set the Communication Settings. For the setting, refer to the User's Manual for the GOT used.

**2. SPECIFICATIONS**

The performance specifications of the sound output unit are indicated below. The general specifications of the sound output unit are the same as those of the GOT. Refer to the User's Manual for the GOT used for the general specifications of the printer unit.

| Item                             | Specification   |
|----------------------------------|---|
| Sound output terminal            | For connecting external L/R speakers, 1 channel for each speaker (2Vp-p, 0.4mW (for rated load 10kΩ))   |
| Applicable jack                  | φ 3.5 stereo mini jack, straight type   |
| Playable file                    | GOT1000 Series : Windows WAV format 8.000KHz, 16 bits, mono (8 seconds/sound file)<br>GOT2000 Series : Windows WAV format 8.000KHz/16.000KHz, 16 bits, mono (30 seconds/sound file) |
| Internal consumed current (DC5V) | 0.08A   |
| Weight                           | 0.07kg (0.154lb) (Including cable clamp)  |

### 3. PART NAMES AND EXTERNAL DIMENSIONS



Dimensions of X when mounted to the GOT

| GOT   | GT27      | GT25      | GT16        | GT15      |
|-------|-----------|-----------|-------------|-----------|
| 15"   | 23 (0.91) | -         | 19.5 (0.77) | 21 (0.83) |
| 12.1" | 23 (0.91) | 23 (0.91) | 18 (0.71)   | 18 (0.71) |
| 10.4" | 23 (0.91) | 23 (0.91) | 21 (0.83)   | 21 (0.83) |
| 8.4"  | 23 (0.91) | 23 (0.91) | 23 (0.91)   | 23 (0.91) |
| 5.7"  | 23 (0.91) | -         | 23 (0.91)   | 23 (0.91) |

Unit: mm (inch)

| No. | Name                  | Description  |
|-----|-----------------------|--|
| 1)  | Mounting screw        | Mounting screws fixed with the front communication unit or GOT     |
| 2)  | Interface connector   | Extension connector installed to a front extension unit or the GOT |
| 3)  | Extension connector   | Extension connector to which a back extension unit is installed    |
| 4)  | Cable clamp           | For cable treatment  |
| 5)  | Sound output terminal | Terminal for connecting a cable of external speakers               |
| 6)  | Rating plate          | -  |

### 4. INSTALLATION PROCEDURE

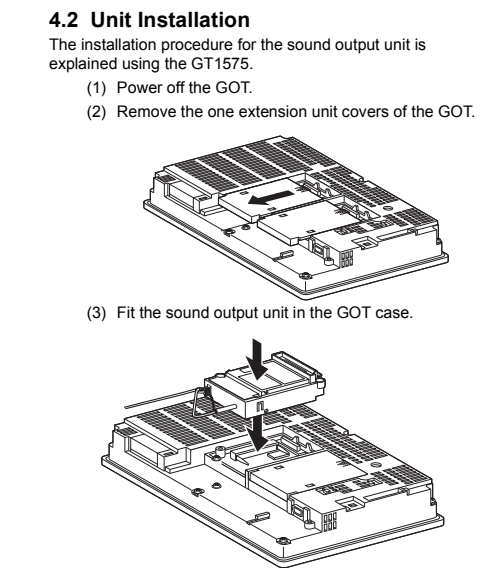
**4.1 Cable Connection**

- Connect a cable of an external speaker to the sound output unit.
- Attach the cable clamp to the unit. Be sure to attach the cable clamp to section A (see the following figure) with its band positioned outside and press it until it clicks. For the band inserting direction, refer to the arrow. (In the case a cable clamp is attached)
- Put the cable of the external speaker through the looped cable clamp band, and pull the band for fixing the cable.

**4.2 Unit Installation**

The installation procedure for the sound output unit is explained using the GT1575.

- Power off the GOT.
- Remove the one extension unit covers of the GOT.
- Fit the sound output unit in the GOT case.



- Tighten the mounting screws of the sound output unit with a tightening torque of 0.36 to 0.48N·m (two places).
- When mounting any communication unit on the outer stage, refer to the User's Manual for the GOT used. When not mounting any communication unit on the outer layer, stick accessory labels on the top of mounting screws (2 places) to cover the top of them in order to avoid receiving electrostatic. Keep the connector cover and label (see the following figure) fixed.

**Point**

**Precautions for connecting external speaker**

- Do not connect or disconnect the cable of the external speaker during sound outputs.
- Do not connect any devices other than external speakers to the sound output unit.

**Removing sound output unit**

When removing the sound output unit, tilt ΔPULL of the unit and remove the unit so as not to break the connector.

**Cable clamp**

(1) Pulling out the cable clamp band

The cable clamp band can be pulled out after cable treatment. Pull out the band with pressing the tab of the cable clamp outward using a driver etc.

(2) Removing from sound output unit

The cable of the external speaker can be removed even though the cable is fixed with the cable clamp. Remove the cable clamp by pressing it in both directions (arrow A).

**Warranty**

Mitsubishi Electric will not be held liable for damage caused by factors found not to be the cause of Mitsubishi Electric; machine damage or lost profits caused by faults in the Mitsubishi Electric products; damage, secondary damage, accident compensation caused by special factors unpredictable by Mitsubishi Electric; damages to products other than Mitsubishi Electric products; and to other duties.

**For safe use**

- This product has been manufactured as a general-purpose part for general industries, and has not been designed or manufactured to be incorporated in a device or system used in purposes related to human life.
- Before using the product for special purposes such as nuclear power, electric power, aerospace, medicine or passenger movement vehicles, consult with Mitsubishi Electric.
- This product has been manufactured under strict quality control. However, when installing the product where major accidents or losses could occur if the product fails, install appropriate backup or failsafe functions in the system.

| Country/Region | Sales office/Tel   |
|----------------|--|
| USA            | Mitsubishi Electric Automation, Inc.<br>500 Corporate Woods Parkway, Vernon Hills, IL 60061, U.S.A.<br>Tel: +1-847-478-2100  |
| Brazil         | Mitsubishi Electric do Brasil Comercio e Servicos Ltda.<br>Avenida Adelfino Cardana, 293, 21 andar, Bethaville, Barueri SP, Brasil CEP 08401-147<br>Tel: +55-11-4689-3000  |
| Mexico         | Mitsubishi Electric Automation, Inc. Mexico Branch<br>Mariano Escobedo #69, Col. Zona Industrial, Tlalnepantla Edo. Mexico, C.P.54030<br>Tel: +52-55-3067-7511   |
| Germany        | Mitsubishi Electric Europe B.V. German Branch<br>Mitsubishi-Electric-Platz 1, 40882 Ratingen, Germany<br>Tel: +49-2102-488-0   |
| UK             | Mitsubishi Electric Europe B.V. UK Branch<br>Travellers Lane, Hatfield, Hertfordshire, AL10 8XB, U.K.<br>Tel: +44-1707-28-8780   |
| Italy          | Mitsubishi Electric Europe B.V. Italian Branch<br>Centro Direzionale Colosani - Palazzo Sino, Viale Colleoni 7, Agrate Brianza (MB), Italy<br>Tel: +39-039-60531   |
| Spain          | Mitsubishi Electric Europe B.V. Spanish Branch<br>Carretera de Rubi 75-80-Appdo.420, 08190 Sant Cugat del Valles (Barcelona), Spain<br>Tel: +34-935-255-3131   |
| France         | Mitsubishi Electric Europe B.V. French Branch<br>25, Boulevard des Bouvets, 92741 Nanterre Cedex, France<br>Tel: +33-1-55-68-55-68   |
| Czech          | Mitsubishi Electric Europe B.V. Czech Branch<br>Avenir Business Park, Radlicka 751/113e, 158 00 Praha 5, Czech Republic<br>Tel: +420-251-551-470   |
| Turkey         | Mitsubishi Electric Turkey A.S. Umraniye Branch<br>Sirtifi Mahallesi Nispeti Sokak No:5, TR-34775 Umraniye / Istanbul, Turkey<br>Tel: +90-216-526-3990   |
| Poland         | Mitsubishi Electric Europe B.V. Polish Branch<br>ul. Krakowska 50, 32-083 Balice, Poland<br>Tel: +48-12-347-65-90  |
| Russia         | Mitsubishi Electric (Russia) LLC St. Petersburg Branch<br>Piskarevsky pr. 2, bld 2, lit "Sch", BC "Benua", office 720; RU-195027 St. Petersburg, Russia<br>Tel: +7-812-633-3497  |
| South Africa   | Adroit Technologies<br>20 Waterford Office Park, 189 Witkoppen Road, Fourways, Johannesburg, South Africa<br>Tel: +27-11-658-8100  |
| China          | Mitsubishi Electric Automation (China) Ltd.<br>No.1386 Honggao Road, Mitsubishi Electric Automation Center, Shanghai, China<br>Tel: +86-21-3222-3030   |
| Taiwan         | SETSUYO ENTERPRISE CO., LTD.<br>6F, No.105, Wugong 3rd Road, Wugu District, New Taipei City 24888, Taiwan<br>Tel: +886-2-2295-2459   |
| Korea          | Mitsubishi Electric Automation Korea Co., Ltd.<br>7F-9F, Gangseo Hangang Xi-tower A, 401, Yangcheon-ro, Gangseo-Gu, Seoul 07528, Korea<br>Tel: +82-2-3660-9530   |
| Singapore      | Mitsubishi Electric Asia Pte. Ltd.<br>307 Alexandra Road, Mitsubishi Electric Building, Singapore 159943<br>Tel: +65-6473-2308   |
| Thailand       | Mitsubishi Electric Factory Automation (Thailand) Co., Ltd.<br>12th Floor, SV City Building, Office Tower 1, No. 895/19 and 20 Rama 3 Road, Kwaeng Bangpangpang, Khet Yamaewa, Bangkok 10120, Thailand<br>Tel: +66-2882-6522 to 31 |
| Indonesia      | PT. Mitsubishi Electric Indonesia<br>Gedung Jaya 11th Floor, J.L. MH. Thamrin No.12, Jakarta Pusat 10340, Indonesia<br>Tel: +62-21-3192-6461   |
| Vietnam        | Mitsubishi Electric Vietnam Co., LTD. Ho Chi Minh Head Office<br>Unit 01-04, 10th Floor, Vincom Center, 72 Le Thanh Ton Street, District 1, Ho Chi Minh City, Vietnam<br>Tel: +84-8-3910-5945                                      |
| India          | Mitsubishi Electric India Pvt. Ltd. Pune Branch<br>Emerald House, EL-3, J Block, M.I.D.C., Bhosari, Pune - 411026, Maharashtra, India<br>Tel: +91-20-2710-2900   |
| Australia      | Mitsubishi Electric Australia Pty. Ltd.<br>348 Victoria Road, P.O. Box 11, Rydalmere, N.S.W. 2116, Australia<br>Tel: +61-2-9684-7777   |

**MITSUBISHI ELECTRIC CORPORATION**

HEAD OFFICE: TOKYO BUILDING, 2-7-3 MARUNOUCHI, CHYODA-KU, TOKYO 100-8310, JAPAN  
NAGOYA WORKS: 1-14, YADA-MINAMI 5-CHOME, HIGASHI-KU, NAGOYA, JAPAN

When exported from Japan, this manual does not require application to the Ministry of Economy, Trade and Industry for service transaction permission.

Specifications subject to change without notice.  
Printed in Japan, June 2018.