



GT1030-H0D(W)/H0D(W)2/H0L(W)

GT10 General Description



Manual Number	JY997D25301U
Date	Jun. 2019

This manual describes the specifications of the product. Before use, read this manual and manuals of relevant products fully to acquire proficiency in handling and operating the product. Make sure to learn all the product information, safety information, and precautions.

And, store this manual in a safe place so that you can take it out and read it whenever necessary. Always forward it to the end user.

Registration

The company name and the product name to be described in this manual are the registered trademarks or trademarks of each company.

Effective: Jun. 2019

Specifications are subject to change without notice.

© 2008 MITSUBISHI ELECTRIC CORPORATION

**Safety Precaution** (Read these precautions before using.)

Before using this product, please read this manual and the relevant manuals introduced in this manual carefully and pay full attention to safety to handle the product correctly. The precautions given in this manual are concerned with this product. In this manual, the safety precautions are ranked as "WARNING" and "CAUTION".

	Indicates that incorrect handling may cause hazardous conditions, resulting in death or severe injury.
	Indicates that incorrect handling may cause hazardous conditions, resulting in medium or slight personal injury or physical damage.

Depending on circumstances, procedures indicated by "CAUTION" may also be linked to serious results. In any case, it is important to follow the directions for usage.

**DESIGN PRECAUTIONS**

- Some failures of the GOT or cable may keep the outputs on or off. An external monitoring circuit should be provided to check for output signals which may lead to a serious accident.
  - Not doing so can cause an accident due to false output or malfunction.
- Not a communication fault (including cable disconnection) occurs during monitoring on the GOT, communication between the GOT and PLC CPU is suspended and the GOT becomes inoperative.
  - A system where the GOT is used should be configured to perform any significant operation to the system by using the switches of a device other than the GOT on the assumption that a GOT communication fault will occur. Not doing so can cause an accident due to false output or malfunction.
- Do not use the GOT as the warning device that may cause a serious accident. An independent and redundant hardware or mechanical interlock is required to configure the device that displays and outputs serious warning.
  - Failure to observe this instruction may result in an accident due to incorrect output or malfunction.
- Incorrect operation of the touch switch(es) may lead to a serious accident if the GOT backlight is gone out. When the GOT backlight goes out, causes the monitor screen to appear blank, while the input of the touch switch(es) remains active. This may confuse an operator in thinking that the GOT is in "screensaver" mode, who then tries to release the GOT from this mode by touching the display section, which may cause a touch switch to operate.

**DESIGN PRECAUTIONS**

- Do not bundle the control and communication cables with main-circuit, power or other wiring.
  - Run the above cables separately from such wiring and keep them a minimum of 100mm (3.94in.) apart. Not doing so noise can cause a malfunction.
- Do not press the GOT display section with a pointed material as a pen or driver. Doing so can result in a damage or failure of the display section.
- Before connecting to GOT, turn ON the controller to enable the communication. When the communication of controller is not available, a communication error may occur in GOT.

**MOUNTING PRECAUTIONS**

- Be sure to shut off all phases of the external power supply used by the system before mounting or removing the GOT to/from the panel.
  - Not doing so can cause the unit to fail or malfunction.
- When installing the battery wear an earth band etc. to avoid the static electricity. The static electricity can cause the unit to fail or malfunction.

**MOUNTING PRECAUTIONS**

- Use the GOT in the environment that satisfies the general specifications described in this manual. Not doing so can cause an electric shock, fire, malfunction or product damage or deterioration.
- When mounting the GOT to the control panel, tighten the mounting screws in the specified torque range. Undertightening can cause the GOT to drop, short circuit or malfunction, and deteriorate the waterproof effect and oilproof effect. Overtightening can cause a drop, short circuit or malfunction due to the damage of the screws or the GOT, and deteriorate the waterproof effect and oilproof effect due to distortion of the protective cover for oil, GOT or panel.
- When using the GOT in the environment of oil or chemicals, use the protective cover for oil. Failure to do so may cause failure or malfunction due to the oil or chemical entering into the GOT.

**WIRING PRECAUTIONS**

- Be sure to shut off all phases of the external power supply used by the system before wiring. Failure to do so may result in an electric shock, product damage or malfunctions.
- Please make sure to ground FG terminal of the GOT power supply section by applying 100 or less which is used exclusively for the GOT. Not doing so may cause an electric shock or malfunction.
- Correctly wire the GOT power supply section after confirming the rated voltage and terminal arrangement of the product. Not doing so can cause a fire or failure.
- Tighten the terminal screws of the GOT power supply section in the specified torque range. Undertightening can cause a short circuit or malfunction. Overtightening can cause a short circuit or malfunction due to the damage of the screws or the GOT.
- Exercise care to avoid foreign matter such as chips and wire cutoffs entering the GOT. Not doing so can cause a fire, failure or malfunction.

**WIRING PRECAUTIONS**

- Plug the communication cable into the connector of the connected unit and tighten the mounting and terminal screws in the specified torque range. Undertightening can cause a short circuit or malfunction. Overtightening can cause a short circuit or malfunction due to the damage of the screws or unit.

**TEST OPERATION PRECAUTIONS**

- Before performing the test operations of the user creation monitor screen (such as turning ON or OFF bit device, changing the word device current value, changing the settings or current values of the timer or counter), read through the manual carefully and make yourself familiar with the operation method.
  - During test operation, never change the data of the devices which are used to perform significant operation for the system. False output or malfunction can cause an accident.

**STARTUP/MAINTENANCE PRECAUTIONS**

- When power is on, do not touch the terminals.
  - Doing so can cause an electric shock or malfunction.
- Connect the battery correctly. Do not discharge, disassemble, heat, short, solder or throw the battery into the fire. Incorrect handling may cause the battery to generate heat, burst or take fire, resulting in injuries or fires.
- Before starting cleaning or terminal screw retightening, always switch off the power externally in all phases. Not switching the power off in all phases can cause a unit failure or malfunction. Undertightening can cause a short circuit or malfunction. Overtightening can cause a short circuit or malfunction due to the damage of the screws or unit.

**STARTUP/MAINTENANCE PRECAUTIONS**

- Do not disassemble or modify the unit.
  - Doing so can cause a failure, malfunction, injury or fire.
- Do not touch the conductive and electronic parts of the unit directly.
  - Doing so can cause a unit malfunction or failure.
- The cables connected to the unit must be run in ducts or clamped.
  - Not doing so can cause the unit or cable to be damaged due to the dangling, motion or accidental pulling of the cables or can cause a malfunction due to a cable connection fault.
- When unplugging the cable connected to the unit, do not hold and pull the cable portion. Doing so can cause the unit or cable to be damaged or can cause a malfunction due to a cable connection fault.

**STARTUP/MAINTENANCE PRECAUTIONS**

- Do not drop or apply any impact to the battery.
  - If any impact has been applied, discard the battery and never use it. The battery may be damaged by the drop or impact.
- Before touching the unit, always touch grounded metal, etc. to discharge static electricity from human body, etc.
  - Not doing so can cause the unit to fail malfunction.
- Replace battery with GT11-50BAT by Mitsubishi electric Co. only.
  - Use of another battery may present a risk of fire or explosion.
- Dispose of used battery promptly.
  - Keep away from children. Do not disassemble and do not dispose of in fire.

**DISPOSAL PRECAUTIONS**

- When disposing of the product, handle it as industrial waste.
- When disposing of batteries, separate them from other wastes according to the local regulations. (For details of the battery directive in EU member states, refer GOT User's Manual.)

**TRANSPORTATION PRECAUTIONS**

- When transporting lithium batteries, make sure to treat them based on the transport regulations. (Refer to User's Manual for details of the regulated models.)
- Before transporting the GOT, turn the GOT power on and check that the battery voltage status is normal on the Time setting & display screen (utilities screen). In addition, confirm that the adequate battery life remains on the rating plate. Transporting the GOT with the low battery voltage or the battery the reached battery life may destabilize the backup data unstable during transportation.
- Make sure to transport the GOT main unit and/or relevant unit(s) in the manner they will not be exposed to the impact exceeding the impact resistance described in the general specifications of this manual, as they are precision devices. Failure to do so may cause the unit to fail.
  - Check if the unit operates correctly after transportation.

**Compliance with EC directive (CE Marking)**

This note does not guarantee that an entire mechanical module produced in accordance with the contents of this note will comply with the following standards. Compliance to EMC directive for the entire mechanical module should be checked by the user / manufacturer. For more details please contact the local Mitsubishi Electric sales site.

**Attention**

- This product is designed for use in industrial applications.

**Requirement for Compliance with EMC directive**

The following products have shown compliance through direct testing (to the identified standards) and design analysis (forming a technical construction file) to the European Directive for Electromagnetic Compatibility (2004/108/EC) when used as directed by the appropriate documentation.

Type :Programmable Controller (Open Type Equipment)

Standard	Remark
EN61131-2 : 2007 Programmable controllers- Equipment, requirement and tests	EMI Compliance with all relevant aspects of the standard. (Radiated Emissions)
	EMS Compliance with all relevant aspects of the standard. (ESD,RF electromagnetic field, EFTB, Surge, RF conducted disturbances and Power frequency magnetic field)

For more details please contact the local Mitsubishi Electric sales site.

**Notes for compliance to EMC regulation**

- General notes on the use of communication cables
  - Any device which utilizes a data communication function is susceptible to the wider effects of local EMC noise. Therefore, when installing any communication cables care should always be taken with the routing and location of those cables. The GOT units identified on the previous chapter are compliant with the EMC requirement when the following communication cables are used.

GOT Unit	Existing Cables
GT1030-HBD/HWD/HBL/HWL/HBDW/HWDW/HBLW/HWLW	GT10-C30R4-8P (For Melsec FX series PLC)
GT1030-HBD2/HWD2/HBDW2/HWDW2	GT10-C30R2-6P (For Melsec Q series PLC)

- General notes on the use of the power cable
  - The GT1030-H0D/H0D2/H0DW/H0DW2 unit demand that the cable for the power supply is 10m or less.

**Associated Manuals**

The following manuals are relevant to this product. When these loose manuals are required, please consult with our local distributor.

Manual name	Contents	Manual Number (Model Code)
GT10 User's Manual (sold separately)	Describes the GT10 hardware-relevant content such as part names, external dimensions, mounting, power supply wiring, specifications, and introduction to option devices	JY997D24701 (09R819)
GT Designer3 Version1 Screen Design Manual (For GOT1000 Series) (Fundamentals)1/2, 2/2 (sold separately) *1	Describes methods of the GT Designer3 installation operation, basic operation for drawing and transmitting data to GOT1000 series	SH-080866ENG (1D7MB9)
GT Designer3 Version1 Screen Design Manual (For GOT1000 Series) (Functions) 1/2, 2/2 (sold separately) *1	Describes specifications and settings of the object functions used in GT Designer3	SH-080867ENG (1D7MC1)
GOT1000 Series Connection Manual (Mitsubishi Products) for GT Works3 (sold separately) *1	Describes system configurations of the connection method applicable to GOT1000 series and cable creation method	SH-080868ENG (1D7MC2)

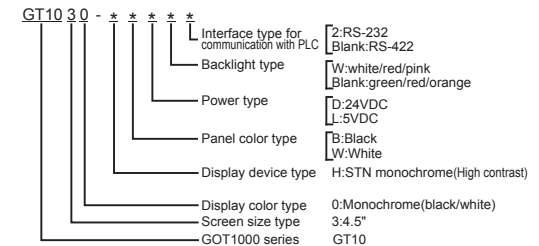
\*1 Stored in the GT Works3/GT Designer3 in PDF format. For details of a PLC to be connected, refer to the PLC user's manual respectively.

**Bundled Items**

Model Name	Remark
GT1030-HBD/HWD	GOT main unit (The maintenance supplies below are packed with the product.)
GT1030-HBD2/HWD2	
GT1030-HBL/HWL	
GT1030-HBDW/HWDW	
GT1030-HBDW2/HWDW2	
GT1030-HBLW/HWLW	

Maintenance Supplies	Quantity
PLC Communication Connector	1
Panel Mounting Bracket (with M4 × 20 screws)	4
Panel Mounting Packing	1
GT10 General Description (This manual)	1

**Explanation of the GOT model name**



# 1. Specifications

## 1.1 General Specifications

Item	Specifications					
	GT1030-H□D/H□D2/H□L/H□DW/H□DW2/H□LW					
Operating ambient temperature	Display section	0 to 50°C				
	Other than display section	0 to 55°C <sup>*4</sup> (When mounted horizontally), 0 to 50°C (When mounted vertically)				
Storage ambient temperature	-20 to 60°C					
Operating/Storage ambient humidity	10 to 90% RH, non-condensing (The wet bulb temperature is 39°C or less.)					
Vibration resistance	Con-forms to JIS B3502 and IEC61131-2	Under intermit-tent vibration	Fre-quency	5 to 8.4Hz	--	3.5mm
			Acceler-ation	9.8m/s <sup>2</sup>	--	
	Under continuous vibration	Fre-quency	5 to 8.4Hz	--	1.75mm	
		Acceler-ation	4.9m/s <sup>2</sup>	--		
					10 times each in X, Y and Z directions	
Shock resistance	Conforms to JIS B3502, IEC 61131-2 (147m/s <sup>2</sup> , 11 ms, Sine half-wave pulse, 3 times each in the X, Y, and Z directions.)					
Operating atmosphere	Must be free of lamp black, corrosive gas, flammable gas, or excessive amount of electro conductive dust particles and must be no direct sunlight. (Same as for saving)					
Operating altitude <sup>*1</sup>	2000 m (6562 ft) max.					
Installation location	Inside control panel					
Overvoltage category <sup>*2</sup>	II or less					
Pollution degree <sup>*3</sup>	2 or less					
Cooling method	Self-cooling					

- <sup>\*1</sup> Do not use or store the GOT under pressure higher than the atmospheric pressure of altitude 0m (0ft.). Failure to observe this instruction may cause a malfunction.  
When the air inside the control panel is purged by pressurization, the surface sheet may be lifted by high pressure. As a result, the touch panel may be difficult to press, and the sheet may be peeled off.
- <sup>\*2</sup> This indicates the section of the power supply to which the equipment is assumed to be connected between the public electrical power distribution network and the machinery within the premises.  
Category II applies to equipment for which electrical power is supplied from fixed facilities.  
The surge voltage withstand level for up to the rated voltage of 300 V is 2500 V.
- <sup>\*3</sup> This index indicates the degree to which conductive material is generated in the environment where the equipment is used.  
In pollution degree 2, only non-conductive pollution occurs but temporary conductivity may be produced due to condensation.
- <sup>\*4</sup> When a protective cover for oil is mounted on the GOT, the maximum operating ambient temperature must be 5°C lower than the one described above.

## 1.2 Performance Specifications

Item	Specifications				
	GT1030-H□D/H□D2	GT1030-H□L	GT1030-H□DW/H□DW2	GT1030-H□LW	
Display section <sup>1</sup>	Type	STN monochrome (white/black) liquid crystal			
	Screen size	4.5"			
	Resolution	288 × 96 dots (Horizontal format)			
	Display size	W109.42(4.3) × H35.98(1.41) [mm](inch) (Horizontal format)			
Display section <sup>1</sup>	Display character	16-dot standard font: 36 characters × 6 lines, 12-dot standard font: 48 characters × 8 lines (Horizontal format)			
	Display color	Monochrome (white/black)			
	Display angle	Left/Right: 30 degrees, Top: 20 degrees, Bottom: 30 degrees (Horizontal format)			
	Contrast adjustment	16-level adjustment			
Display section <sup>1</sup>	Intensity of LCD only	200 [cd/m <sup>2</sup> ] (in green)	500 [cd/m <sup>2</sup> ] (in white)		
	Intensity adjustment	8-level adjustment			
	Life	Approx. 50,000h. (Time for display intensity to become 1/5 at operating ambient temperature of 25°C)			
	Backlight (no replacement required)	LED with 3 available colors (green, red, orange)		LED with 3 available colors (white, red, pink)	
	Backlight status (colors, ON/BLINK/OFF) control, Adjustable screensaver activation time Setting the system information enables <sup>*2</sup> PLC to control the backlight status				

Item	Specifications			
	GT1030-H□D/H□D2	GT1030-H□L	GT1030-H□DW/H□DW2	GT1030-H□LW
Touch panel	Number of touch keys	Maximum 50 keys/screen (Matrix resistive film touch panel)		
	Key size	Minimum 16 × 16 dots (per key)		
	Simultaneous pressing of two (or more) areas (2-point press)	Enable		
	Life	1 million times or more (operating force 0.98N max.)		
Memory	C drive <sup>*3</sup>	Flash memory ROM (Internal), for storing Project data (1.5M bytes or less), OS		
	Life (Number of write times)	100,000 times		
	D drive	SRAM (Internal), for storing alarm history, recipe data and time action setting value		
Battery	Type	GT11-50BAT lithium battery		
	Backup target	Clock data, alarm history and recipe data		
	Life	Approx. 5 years (Operating ambient temperature of 25)		
Buzzer output (a buzzer that sounds when touch keys are pressed)	Single tone (LONG/ SHORT/ OFF adjustable)			
Environmental protective structure <sup>*4</sup>	Equivalent to IP67 (JEM1030) (front section)			
External dimensions	W145(5.7) × H76(2.99) × D29.5(1.16)[mm](inch) (Excluding mounting fixtures) (Horizontal format)			
Panel cutting dimensions	W137(5.39) × H66(2.59) [mm](inch) (Horizontal format)			
Weight (Excluding mounting fixtures)	0.3kg	0.28kg	0.3kg	0.28kg
Compatible software package	GT Designer3 Version1.19V or later			

- <sup>\*1</sup> • Bright dots (always lit) and dark dots (unlit) may appear on a liquid crystal display panel. It is impossible to completely avoid this symptom, as the liquid crystal display comprises of a great number of display elements. Flickers may be observed depending on the display color.  
Please note that these dots appear due to its characteristic and are not caused by product defect.
- Flickers and partial discoloration may be generated on the liquid crystal display panel due to the display contents or the contrast adjustment. However, please note that these phenomena appear due to its characteristic and are not caused by product defect.
- There is a difference in the display brightness and the color tones between liquid crystal display panels. When using multiple liquid crystal display panels, please note that there is an individual difference between them.
- A crosstalk (shadow as an extension of the display) may appear on the liquid crystal display panel. Please note that it appears due to its characteristic.
- When the display section is seen from the outside of the display angle, the display color seems like it has changed.
- Please note that it is due to its characteristic. Please note that the response time, brightness and color of the liquid crystal display panel may vary depending on the usage environmental temperature. Especially in the low temperature environment, the display response becomes slow due to the characteristics of the STN liquid crystal.  
Please check the display response in advance for using this product.
- Please note that the response in low temperatures tend to be slower as a characteristic of the liquid crystal display panel.
- When the same screen is displayed for a long time, an incidental color or partial discoloration is generated on the screen due to heat damage, and it may not disappear.  
To prevent heat damage, the screen saver function is effective.  
For details of the screen saver function, refer to the following.  
→ GT10 User's Manual
- <sup>\*2</sup> For the details of system information, refer to the following.  
→ GT Designer3 Version1 Screen Design Manual
- <sup>\*3</sup> ROM in which new data can be written without deleting the written data.
- <sup>\*4</sup> Note that this does not guarantee all users' operation environment.  
In addition, the product may not be used in environments under exposition of oil or chemicals for a long period of time, or in environments filled with oil-mist.

## 1.3 Communication Specifications

Item	Specifications			
	GT1030-H□D/H□DW	GT1030-H□D2/H□DW2	GT1030-H□LW	
PLC communication	Communication standard	RS-422/485 1ch	RS-232 1ch	RS-422 1ch
	Transmission speed	115,200/57,600/38,400/19,200/9,600/4,800bps		
	Connector shape	Connector terminal block 9-pins		

Item	Specifications			
	GT1030-H□D/H□DW	GT1030-H□D2/H□DW2	GT1030-H□L/H□LW	
PLC communication	Terminating resistor <sup>*1</sup>	Open/110Ω/330Ω (Switched by terminating resistor selector switch) (At factory shipment: 330Ω)	--	--
	Communication standard	RS-232 1ch		
PC communication <sup>*2</sup>	Transmission speed	115,200/57,600/38,400/19,200/9,600/4,800bps		
	Connector shape	MINI DIN 6-pins (Female)		

- <sup>\*1</sup> Set the terminating resistor selector switch of the GOT in accordance with the connection type when adopting GOT multidrop connection.  
For details of GOT multidrop connection, refer to the following.  
→ GOT1000 Series Connection Manual (Mitsubishi Products) for GT Works3
- <sup>\*2</sup> Project data upload/download, OS installation, Transparent function

## 1.4 Power Supply Specifications

(For details on power supply wiring, such as the allowable cable size and tightening torque, refer to the additional manual, "GT10 User's Manual".)

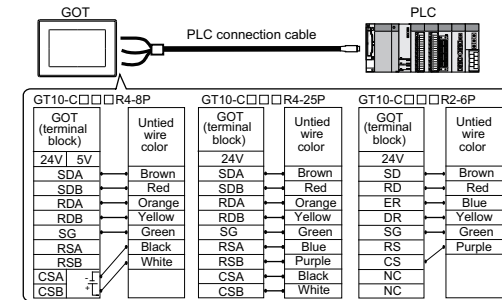
Item	Specifications	
	GT1030-H□D/H□D2/H□DW/H□DW2	GT1030-H□L/H□LW
Input power supply voltage	24VDC (+10% -15%), ripple voltage 200mV or less	5VDC (±5%), supplied from the PLC
Fuse (built-in, not exchangeable)	0.5A	--
Power consumption, (At backlight off)	2.2W (90mA/24VDC) or less, (1.7W (70mA/24VDC) or less)	1.1W (220mA/5VDC) or less, (0.6W (120mA/5VDC) or less)
Inrush current	18A or less (26.4VDC) 1ms	--
Permissible instantaneous power failure time <sup>*1</sup>	Within 5ms	--
Noise immunity	Noise voltage: 1000Vp-p, Noise width: 1µs (by noise simulator of 30 to 100Hz noise frequency)	
Dielectric withstand voltage	500VAC for 1 minute (between the GOT's power supply terminals and the GOT's grounding terminal)	--
Insulation resistance	10MΩ or larger by insulation resistance tester (between the GOT's power supply terminals and the GOT's grounding terminal)	--
Grounding	Grounding with a ground resistance of 100 Ω or less by using a ground cable that has a cross-sectional area of 0.14 to 1.5 mm <sup>2</sup> (solid wire), 0.14 to 1.0 mm <sup>2</sup> (stranded wire), or 0.25 to 0.5 mm <sup>2</sup> (rod terminal with an insulation sleeve). If impossible, connect the ground cable to the control panel.	

- <sup>\*1</sup> The GOT continues to operate even upon 5ms or shorter instantaneous power failure. The GOT stops operating if there is extended power failure or voltage drop, while it automatically resumes operation as soon as the power is restored.

## 2. Wiring of connection cable

The diagram below shows cable assignment for GOT port.

Cables: GT10-C□□□R4-8P, GT10-C□□□R4-2P, GT10-C□□□R2-6P



User-made cable is necessary, depending on the PLC.  
For the detail, refer to GOT1000 Series Connection Manual (Mitsubishi Products) for GT Works3.

Cable jacket to remove	7mm (0.27")
Tightening torque	0.22 to 0.25 N·m
Recommended Tool (Screwdriver)	SZS 0.4 × 2.5 (Phoenix Contact Inc.)

「电器电子产品有害物质限制使用标识要求」的表示方式



Note: This symbol mark is for China only.

含有害6物质的名称, 含有量, 含有部品  
本产品中所含有的有害6物质的名称, 含有量, 含有部品如下表所示。

## 产品中有害物质的名称及含量

部件名称	有害物质					
	铅 (Pb)	汞 (Hg)	镉 (Cd)	六价铬 (Cr (VI))	多溴联苯 (PBB)	多溴二苯醚 (PBDE)
显示器 GOT	外壳	○	○	○	○	○
	印刷基板	×	○	○	○	○
	背光灯 (CCFL)	○	×	○	○	○
	电缆	×	○	○	○	○

本表格依据SJ/T 11364的规定编制。

○: 表示该有害物质在该部件所有均质材料中的含量均在GB/T 26572

规定的限量要求以下。

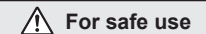
×: 表示该有害物质至少在该部件的某一均质材料中的含量超出GB/T 26572规定的限量要求。

This manual confers no industrial property rights or any rights of any other kind, nor does it confer any patent licenses. Mitsubishi Electric Corporation cannot be held responsible for any problems involving industrial property rights which may occur as a result of using the contents noted in this manual.

## Warranty

Exclusion of loss in opportunity and secondary loss from warranty liability  
Regardless of the gratis warranty term, Mitsubishi shall not be liable for compensation to:

- (1) Damages caused by any cause found not to be the responsibility of Mitsubishi.
- (2) Loss in opportunity, lost profits incurred to the user by Failures of Mitsubishi products.
- (3) Special damages and secondary damages whether foreseeable or not, compensation for accidents, and compensation for damages to products other than Mitsubishi products.
- (4) Replacement by the user, maintenance of on-site equipment, start-up test run and other tasks.



**For safe use**

- This product has been manufactured as a general-purpose part for general industries, and has not been designed or manufactured to be incorporated in a device or system used in purposes related to human life.
- Before using the product for special purposes such as nuclear power, electric power, aerospace, medicine or passenger movement vehicles, consult with Mitsubishi Electric.
- This product has been manufactured under strict quality control. However when installing the product where major accidents or losses could occur if the product fails, install appropriate backup or failsafe functions in the system.

**MITSUBISHI ELECTRIC CORPORATION**

HEAD OFFICE : TOKYO BUILDING, 2-7-3 MARUNOUCHI, CHIYODA-KU, TOKYO 100-8310, JAPAN



Side B

Japanese/English language selection

GT1030-H□D(W)/H□D(W)2/H□L(W)

GT10 General Description



Manual Number: JY997D25301U, Date: Jun. 2019

This manual describes the specifications of the product. Before use, read this manual and manuals of relevant products fully to acquire proficiency in handling and operating the product.

Registration: The company name and the product name to be described in this manual are the registered trademarks or trademarks of each company.

Effective: Jun. 2019
Specifications are subject to change without notice.
© 2008 MITSUBISHI ELECTRIC CORPORATION

Safety Precaution (Read these precautions before using.)

Before using this product, please read this manual and the relevant manuals introduced in this manual carefully and pay full attention to safety to handle the product correctly.

- WARNING: Indicates that incorrect handling may cause hazardous conditions, resulting in death or severe injury.
CAUTION: Indicates that incorrect handling may cause hazardous conditions, resulting in medium or slight personal injury or physical damage.

Depending on circumstances, procedures indicated by "CAUTION" may also be linked to serious results. In any case, it is important to follow the directions for usage.

DESIGN PRECAUTIONS WARNING

- Some failures of the GOT or cable may keep the outputs on or off.
An external monitoring circuit should be provided to check for output signals which may lead to a serious accident.
Not doing so can cause an accident due to false output or malfunction.

DESIGN PRECAUTIONS CAUTION

- Do not bundle the control and communication cables with main-circuit, power or other wiring.
Run the above cables separately from such wiring and keep them a minimum of 100mm (3.94in.) apart. Not doing so can cause a malfunction.

INSTALLATION PRECAUTIONS WARNING

- Be sure to shut off all phases of the external power supply used by the system before mounting or removing the GOT to/from the panel.
Do not do so can cause the unit to fail or malfunction.

INSTALLATION PRECAUTIONS CAUTION

- Use the GOT in the environment that satisfies the general specifications described in this manual. Not doing so can cause an electric shock, fire, malfunction or product damage or deterioration.
When mounting the GOT to the control panel, tighten the mounting screws in the specified torque range. Undertightening can cause the GOT to drop, short circuit or malfunction, and deteriorate the waterproof effect and oilproof effect.

WIRING PRECAUTIONS WARNING

- Be sure to shut off all phases of the external power supply used by the system before wiring. Failure to do so may result in an electric shock, product damage or malfunctions.
Please make sure to ground FG terminal of the GOT power supply section by applying 100 or less which is used exclusively for the GOT. Not doing so may cause an electric shock or malfunction.

WIRING PRECAUTIONS CAUTION

- Plug the communication cable into the connector of the connected unit and tighten the mounting and terminal screws in the specified torque range.
Undertightening can cause a short circuit or malfunction. Overtightening can cause a short circuit or malfunction due to the damage of the screws or unit.

TEST OPERATION PRECAUTIONS WARNING

- Before performing the test operations of the user creation monitor screen (such as turning ON or OFF bit device, changing the word device current value, changing the settings or current values of the timer or counter), read through the manual carefully and make yourself familiar with the operation method.
During test operation, never change the data of the devices which are used to perform significant operation for the system. False output or malfunction can cause an accident.

STARTUP/MAINTENANCE PRECAUTIONS WARNING

- When power is on, do not touch the terminals. Doing so can cause an electric shock or malfunction.
Connect the battery correctly. Do not discharge, disassemble, heat, short, solder or throw the battery into the fire. Incorrect handling may cause the battery to generate heat, burst or take fire, resulting in injuries or fires.

STARTUP/MAINTENANCE PRECAUTIONS CAUTION

- Do not disassemble or modify the unit. Doing so can cause a failure, malfunction, injury or fire.
Do not touch the conductive and electronic parts of the unit directly. Doing so can cause a unit malfunction or failure.

STARTUP/MAINTENANCE PRECAUTIONS CAUTION

- Do not drop or apply any impact to the battery. If any impact has been applied, discard the battery and never use it.
The battery may be damaged by the drop or impact.
Before touching the unit, always touch grounded metal, etc. to discharge static electricity from human body, etc.

DISPOSAL PRECAUTIONS CAUTION

- When disposing of the product, handle it as industrial waste.
When disposing of batteries, separate them from other wastes according to the local regulations. (For details of the battery directive in EU member states, refer to GOT User's Manual.)

TRANSPORTATION PRECAUTIONS CAUTION

- When transporting lithium batteries, make sure to treat them based on the transport regulations. (Refer to User's Manual for details of the regulated models.)
Before transporting the GOT, turn the GOT power on and check that the battery voltage status is normal on the Time setting & display screen (utilities screen). In addition, confirm that the adequate battery life remains on the rating plate. Transporting the GOT with the low battery voltage or the battery the reached battery life may destabilize the backup data unstable during transportation.

Compliance with EC directive (CE Marking)

This note does not guarantee that an entire mechanical module produced in accordance with the contents of this note will comply with the following standards. Compliance to EMC directive for the entire mechanical module should be checked by the user / manufacturer. For more details please contact the local Mitsubishi Electric sales site.

Attention

- This product is designed for use in industrial applications.

Requirement for Compliance with EMC directive

The following products have shown compliance through direct testing (to the identified standards) and design analysis (forming a technical construction file) to the European Directive for Electromagnetic Compatibility (2004/108/EC) when used as directed by the appropriate documentation.
Type: Programmable Controller (Open Type Equipment)

Table with 2 columns: Standard, Remark. EN61131-2:2007 Programmable controllers - Equipment, requirement and tests. EMI: Compliance with all relevant aspects of the standard. (Radiated Emissions). EMS: Compliance with all relevant aspects of the standard. (ESD, RF electromagnetic field, EFTB, Surge, RF conducted disturbances and Power frequency magnetic field).

For more details please contact the local Mitsubishi Electric sales site.

Notes for compliance to EMC regulation

- General notes on the use of communication cables
Any device which utilizes a data communication function is susceptible to the wider effects of local EMC noise. Therefore, when installing any communication cables care should always be taken with the routing and location of those cables. The GOT units identified on the previous chapter are compliant with the EMC requirement when the following communication cables are used.

Table with 2 columns: GOT Unit, Existing Cables. GT1030-HBD/HWD/HBL/HWL/HBDW/HWDW/HBLW/HLW: GT10-C30R4-8P (For Melsec FX series PLC). GT1030-HBD2/HWD2/HBDW2/HWDW2: GT10-C30R2-6P (For Melsec Q series PLC).

- General notes on the use of the power cable
The GT1030-H□D/H□D2/H□D(W)/H□D(W)2 unit demand that the cable for the power supply is 10m or less.

Associated Manuals

The following manuals are relevant to this product. When these loose manuals are required, please consult with our local distributor.

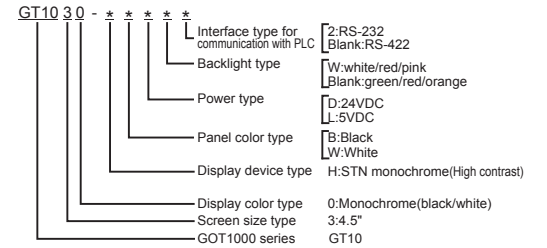
Table with 3 columns: Manual name, Contents, Manual Number (Model Code). GT10 User's Manual, GT Designer3 Version1 Screen Design Manual, GT Designer3 Version1 Screen Design Manual (For GOT1000 Series), GOT1000 Series Connection Manual.

\*1 Stored in the GT Works3/GT Designer3 in PDF format. For details of a PLC to be connected, refer to the PLC user's manual respectively.

Bundled Items

Table with 2 columns: Item Name, Remark. GT1030-HBD/HWD, GT1030-HBD2/HWD2, GT1030-HBL/HWL, GT1030-HBDW/HWDW, GT1030-HBDW2/HWDW2, GT1030-HBLW/HLW. Maintenance Supplies: PLC Communication Connector, Panel Mounting Bracket, Panel Mounting Packing, GT10 General Description.

Explanation of the GOT model name



1. Specifications

1.1 General Specifications

Specifications table for GT1030-H□D/H□D2/H□L/H□D(W)/H□D(W)2/H□L(W). Includes sections for Operating ambient temperature, Storage ambient temperature, Operating/Storage ambient humidity, Vibration resistance, Shock resistance, Operating atmosphere, Operating altitude, Installation location, Overvoltage category, Pollution degree, Cooling method.

- \*1 Do not use or store the GOT under pressure higher than the atmospheric pressure of altitude 0m (0ft.). Failure to observe this instruction may cause a malfunction.
\*2 This indicates the section of the power supply to which the equipment is assumed to be connected between the public electrical power distribution network and the machinery within the premises.
\*3 This index indicates the degree to which conductive material is generated in the environment where the equipment is used.
\*4 When a protective cover for oil is mounted on the GOT, the maximum operating ambient temperature must be 5°C lower than the one described above.

1.2 Performance Specifications

Performance Specifications table for GT1030-H□D/H□D2/H□L/H□D(W)/H□D(W)2/H□L(W). Includes sections for Display section, Display section 1, Display section 2, Display section 3, Backlight (no replacement required).

Specifications table for Touch panel, Memory, Battery, Buzz output, Environmental protective structure, External dimensions, Panel cutting dimensions, Weight, Compatible software package.

- \*1 Bright dots (always lit) and dark dots (unlit) may appear on a liquid crystal display panel. It is impossible to completely avoid this symptom, as the liquid crystal display comprises of a great number of display elements.
\*2 For the details of system information, refer to the following.
\*3 ROM in which new data can be written without deleting the written data.
\*4 Note that this does not guarantee all users' operation environment. In addition, the product may not be used in environments under exposition of oil or chemicals for a long period of time, or in environments filled with oil-mist.

1.3 Communication Specifications

Communication Specifications table for PLC communication. Item: Communication standard, Transmission speed, Connector shape. Specifications: RS-422/485 1ch, RS-232 1ch, RS-422 1ch.

Specifications table for PLC communication, PC communication. Item: Terminating resistor, Communication standard, Transmission speed, Connector shape.

- \*1 Set the terminating resistor selector switch of the GOT in accordance with the connection type when adopting GOT multidrop connection.
\*2 Project data upload/download, OS installation, Transparent function

1.4 Power Supply Specifications

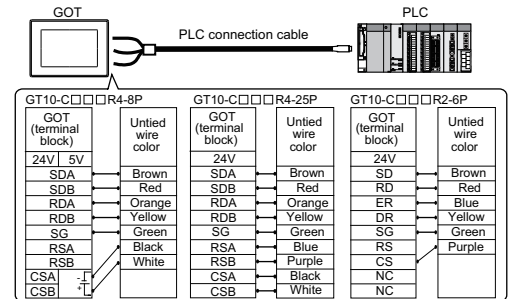
(For details on power supply wiring, such as the allowable cable size and tightening torque, refer to the additional manual, "GT10 User's Manual".)

Power Supply Specifications table. Item: Input power supply voltage, Fuse, Power consumption, Inrush current, Permissible instantaneous power failure time, Noise immunity, Dielectric withstand voltage, Insulation resistance, Grounding.

- \*1 The GOT continues to operate even upon 5ms or shorter instantaneous power failure. The GOT stops operating if there is extended power failure or voltage drop, while it automatically resumes operation as soon as the power is restored.

2. Wiring of connection cable

The diagram below shows cable assignment for GOT port. Cables: GT10-C□□□R4-8P, GT10-C□□□R4-2P, GT10-C□□□R2-6P



User-made cable is necessary, depending on the PLC.

For the detail, refer to GOT1000 Series Connection Manual (Mitsubishi Products) for GT Works3.

Table with 2 columns: Cable jacket to remove, Tightening torque, Recommended Tool (Screwdriver).

「电器电子产品有害物质限制使用标识要求」的表示方式



Note: This symbol mark is for China only.

含有有害6物质的名称, 含有量, 含有部品
本产品中所含有的有害6物质的名称, 含有量, 含有部品如下表所示。

Table with 2 columns: 有害物质 (Lead, Mercury, Cadmium, Hexavalent Chromium, Polybrominated Biphenyls, Polybrominated Diphenyl Ethers) and 部件名称 (Outer shell, PCB, Backlight).

本表格依据SJ/T 11364的规定编制。

○: 表示该有害物质在该部件所有均质材料中的含量均在GB/T 26572规定的限量要求以下。
×: 表示该有害物质至少在该部件的某一均质材料中的含量超出GB/T 26572规定的限量要求。

This manual confers no industrial property rights or any rights of any other kind, nor does it confer any patent licenses. Mitsubishi Electric Corporation cannot be held responsible for any problems involving industrial property rights which may occur as a result of using the contents noted in this manual.

- Warranty: Exclusion of loss in opportunity and secondary loss from warranty liability.
(1) Damages caused by any cause found not to be the responsibility of Mitsubishi.
(2) Loss in opportunity, lost profits incurred to the user by failures of Mitsubishi products.
(3) Special damages and secondary damages whether foreseeable or not, compensation for accidents, and compensation for damages to products other than Mitsubishi products.
(4) Replacement by the user, maintenance of on-site equipment, start-up test run and other tasks.

For safe use
\* This product has been manufactured as a general-purpose part for general industries, and has not been designed or manufactured to be incorporated in a device or system used in purposes related to human life.
\* Before using the product for special purposes such as nuclear power, electric power, aerospace, medicine or passenger movement vehicles, consult with Mitsubishi Electric.
\* This product has been manufactured under strict quality control. However when installing the product where major accidents or losses could occur if the product fails, install appropriate backup or failsafe functions in the system.