

MITSUBISHI

A9GT-50STAND

User's Manual

Thank you for purchasing the MELSEC-GOT Series.

To ensure correct use of this equipment, please carefully read this manual prior to use.



Type	A9GT-50STAND-U
Type Code	1DM111
IB(NA)-0800021-B(0406)MEE	

Mitsubishi Graphics Operation Terminal

Manuals

Relevant Manual

For relevant manuals, refer to the PDF manual stored within the drawing software.

● SAFETY PRECAUTIONS ●

(Read these precautions prior to use.)

When using Mitsubishi equipment, thoroughly read this manual and the associated manuals that are introduced in this manual. Also, pay careful attention to safety and handle the module properly.

These precautions apply only to Mitsubishi equipment. Please refer to the relevant user's manuals for safety precautions pertaining to Mitsubishi programmable controller systems and Graphics Operation Terminal (abbreviated as GOT, hereafter).

The SAFETY PRECAUTIONS in this manual are classified into two categories: DANGER and CAUTION.

⚠ DANGER : Procedures which may lead to a dangerous condition and cause death or serious personal injury if not observed as directed.

⚠ CAUTION : Procedures which may lead to a dangerous condition and cause minor to medium personal injury or damage only to property, if not observed as directed.

Depending on circumstances, procedures indicated with **⚠ CAUTION** could also lead to serious results.

In any case, it is important to strictly observe the directions indicated with the above signs.

Keep this manual in a place which allows you to easily reach it whenever necessary. Please make sure that the end user of this equipment be provided with this manual.

[PRECAUTIONS FOR INSTALLATION]

⚠ DANGER

- Make sure to shut off all the phases of the system power supply externally before installing a power supply module, wiring, or working on the GOT. There may be a hazard of electric shock or damage to the GOT unless all the phases of the system power supply are shut off.
- Make sure to apply the terminal cover to the GOT if the power is to be supplied to the GOT after completing wiring work on the GOT's power supply terminal. There may be a hazard of electric shock unless the cover is installed.

⚠ CAUTION

- Use the GOT in an environment which satisfies the general specifications described in the GOT User's Manual. Using in an environment other than that satisfies the general specifications could cause an electric shock, a fire, or damage or deterioration to the GOT.
- Be extremely cautious so that your finger, etc. will not be caught when adjusting the installing angle after removing the angle adjusting screw from the stand.
- To install the stand to the GOT, fix it securely with the clamp. Then, tighten the mounting screws securely by applying a specified torque in the range of 36 to 48N•m (3.7 to 4.9kgf•m)(3.2 to 4.2lb•inch) could cause dropping of the GOT.
- Make sure that the installing angle of the GOT is 45, 55, 65, or 75 degrees when adjusting it with the stand kept installed to the GOT. The stand would touch and give damage to the GOT if the adjusting angle is not within the range as specified.

[PRECAUTIONS FOR WIRING]

⚠ CAUTION

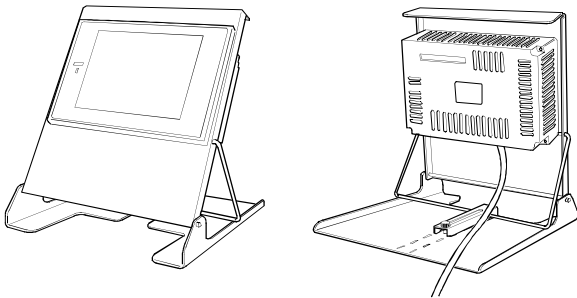
- Perform wiring on the GOT appropriately after ensuring its rated voltage and terminal configuration. Using the power supply of a different rating or the wiring error could cause a fire or a malfunction.
- To avoid electric shocks, make sure to ground FG terminal, applying Type D Grounding (Type 3 Grounding).
- Tighten the power supply terminal screws to the specified torque of 36 to 48N•m (3.7 to 4.9kgf•m)(3.2 to 4.2lb•inch) . Loose terminal screws could cause shortcircuit. If overtightened, on the other hand, terminal screws would break or damage the GOT, thereby causing shortcircuit.
- Make sure that foreign materials such as chips or waste wires are not caught inside of the GOT, because they could cause failures.
- To remove the communications cable or power cable connected to the GOT, never hold and pull the cable itself. Make sure to use a hand to hold the part that is closest and connected to the GOT. Pulling the cable itself with the GOT kept connected could damage the GOT or cable, thereby causing failures.

1. OVERVIEW

This manual explains the A9GT-50STAND (Referred to as Stand, hereafter).

Stand is used for fixing the GOT at a position which allows an easy view of the GOT's monitor screen when debugging screen data which is displayed on the GOT, as illustrated below.

This stand is dedicated for common use with A950GOT, A951GOT, A953GOT and A956GOT.

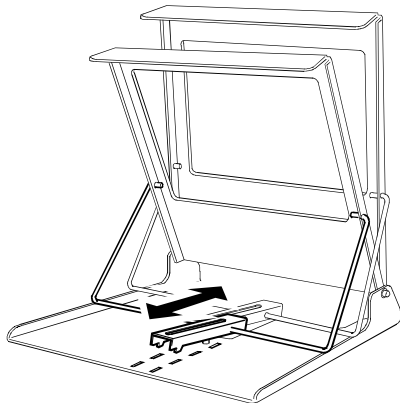


2. HOW TO USE THE STAND

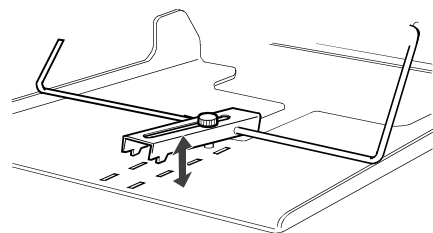
1) Determine the angle for installing the GOT.

Slide the angle adjustment fitting as shown below to determine the angle.

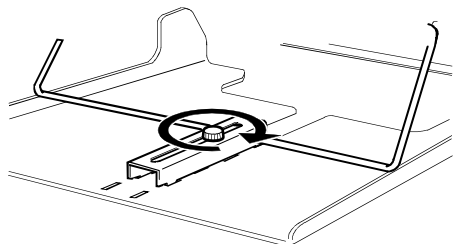
The angle can be adjusted to 75°, 65°, 55° or 45°.



2) Once the angle is determined, insert the angle adjustment fitting's fixing hook into the hook insertion section on the bottom of the stand.



3) Securely tighten the fixing screw.



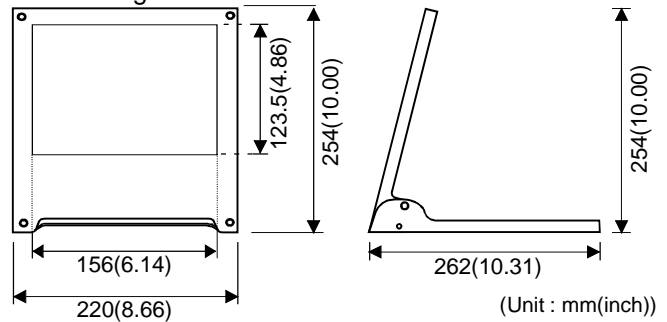
4) Insert the GOT from the front of Stand and install it to Stand.

Refer to the [A950GOT/A951GOT/A953GOT/A956GOT User's Manual] for details on installing the installation fitting.

5) After the installation, perform wiring, etc.

3. OUTSIDE DIMENSIONS

For 75° angle



(Unit : mm(inch))

Weight	kg(lb)	1.1 (2.4)
--------	--------	-----------

Warranty

Mitsubishi will not be held liable for damage caused by factors found not to be the cause of Mitsubishi; machine damage or lost profits caused by faults in the Mitsubishi products; damage, secondary damage, accident compensation caused by special factors unpredictable by Mitsubishi; damages to products other than Mitsubishi products; and to other duties.

! For safe use

- This product has been manufactured as a general-purpose part for general industries, and has not been designed or manufactured to be incorporated in a device or system used in purposes related to human life.
- Before using the product for special purposes such as nuclear power, electric power, aerospace, medicine or passenger movement vehicles, consult with Mitsubishi.
- This product has been manufactured under strict quality control. However, when installing the product where major accidents or losses could occur if the product fails, install appropriate backup or failsafe functions in the system.

Country/Region	Sales office/Tel	Country/Region	Sales office/Tel
U.S.A	Mitsubishi Electric Automation Inc. 500 Corporate Woods Parkway Vernon Hills, IL 60061 Tel : +1-847-478-2100	Hong Kong	Ryoden Automation Ltd. 10th Floor, Manulife Tower, 169 Electric Road, North Point, HongKong Tel : +852-2987-8870
Brazil	MELCO-TEC Rep. Com.e Assessoria Tecnica Ltda. AV. Paulista 1471, Conj. 308, Sao Paulo City, Sao Paulo State, Brazil Tel : +55-11-283-2423	China	Ryoden Automation Shanghai Ltd. 3F Block5 Building Automation Instrumentation Plaza 103 Cao Bao Rd. Shanghai 200233 China Tel : +86-21-6475-3228
Germany	Mitsubishi Electric Europe B.V. German Branch Gothaer Strasse 8 D-40880 Ratingen, GERMANY Tel : +49-2102-486-0	Taiwan	Setsumo Enterprise Co., Ltd. 6F., No.105 Wu-Kung 3rd.RD, Wu-Ku Hsiang, Taipei Hsine, Taiwan Tel : +886-2-2299-2499
U.K	Mitsubishi Electric Europe B.V. UK Branch Travellers Lane, Hatfield, Herts., AL10 8XB,UK Tel : +44-1707-276100	Korea	HAN NEUNG TECHNO CO.,LTD. 1F Dong Seo Game Channel Bldg., 660-11, Deungchon-dong Kangsec-ku, Seoul, Korea Tel : +82-2-3660-9552
Italy	Mitsubishi Electric Europe B.V. Italian Branch Centro Dir. Colleoni, Pal. Perseo-Ingr.2 Via Paracelso 12, 20041 Agrate B., Milano, Italy Tel : +39-039-6053344	Singapore	Mitsubishi Electric Asia Pte, Ltd. 307 ALEXANDRA ROAD #05-01/02, MITSUBISHI ELECTRIC BUILDING SINGAPORE 159943 Tel : +65-6473-2308
Spain	Mitsubishi Electric Europe B.V. Spanish Branch Carretera de Rubi 76-80 08190 - Sant Cugat del Valles, Barcelona, Spain Tel : +34-93-565-3131	Thailand	F. A. Tech Co.,Ltd. 898/28,29,30 S.V.City Building Office Tower 2, Floor 17-18 Rama 3 Road, Bangkokpang, Yannawa, Bangkok 10120 Tel : +66-2-682-6522
France	Mitsubishi Electric Europe B.V. French Branch 25 Boulevard des Bouvets, F-92741 Nanterre Cedex, France Tel : +33-1-5568-5568	Indonesia	P.T. Autoteknindo SUMBER MAKMUR Jl. Muara Karang Selatan Block A Utara No.1 Kav. No.11 Kawasan Industri/ Pergudangan Jakarta - Utara 14440 Tel : +62-21-663-0833
South Africa	Circuit Breaker Industries LTD. Tripswitch Drive, Elandfontein Gauteng, South Africa Tel : +27-11-928-2000	India	Messung Systems Pvt.Ltd. Electronic Sadan NO-111 Unit No15, M.I.D.C BHOSARI,PUNE-411026 Tel : +91-20-712-2807
		Australia	Mitsubishi Electric Australia Pty. Ltd. 348 Victoria Road, PostalBag, No 2, Rydalmere, N.S.W 2116, Australia Tel : +61-2-9684-7777

MITSUBISHI ELECTRIC CORPORATION

HEAD OFFICE : 1-3-12, OFFICE TOWER 2 14F HARBUM CHUO-KU 104-6212, JAPAN
NAGOYA WORKS : 1-16, YADA-MINAMI 5-CHOME, HIGASHI-KU, NAGOYA, JAPAN

When exported from Japan, this manual does not require application to the Ministry of Economy, Trade and Industry for service transaction permission.

Specifications subject to change without notice.
Printed in Japan on recycled paper.