

Additional Functions in F940GOT (Ver. 3.00)

This manual describes the additional functions related to the hardware in the following display units. For the setting and operating procedures of the display units, refer to the F940GOT Operation Manual (created in July, 1999) offered separately:

1. Applicable Versions and Models

Table 1.1 :

| Model name | Version |
|---------------------------------|--|
| F940GOT-SWD-E, F940GOT-LWD-E | Unit manufactured in July, 1999 or later (whose manufacturer's serial No. is "97****" or later) Ver. 3.00 or later |

2. Contents of Additional Functions

- 1) MELSEC QnA Series PC can be connected.
CPU direct connection (RS-422) and computer link connection (RS-422, RS-232C) are available.
- 2) PC manufactured by Allen-Bradley can be connected.
- 3) Bar code reader can be connected.
- 4) Display screen hard copy function.
The screen being displayed can be output to a printer by pressing a touch key or by setting to ON/OFF a bit device in the PC.
- 5) Key codes are added for touch keys available to display the alarm history.
- 6) The initial display position of the ten-key window available to input numerics and ASCII codes can be specified.

* The additional functions 1) to 4) above are effective from the following software version.
SW2D5C-GOTR-PACK-E Ver. A manufactured in July, 1999 or later.

3. Connection to MELSEC QnA Series PC

- Applicable PCs

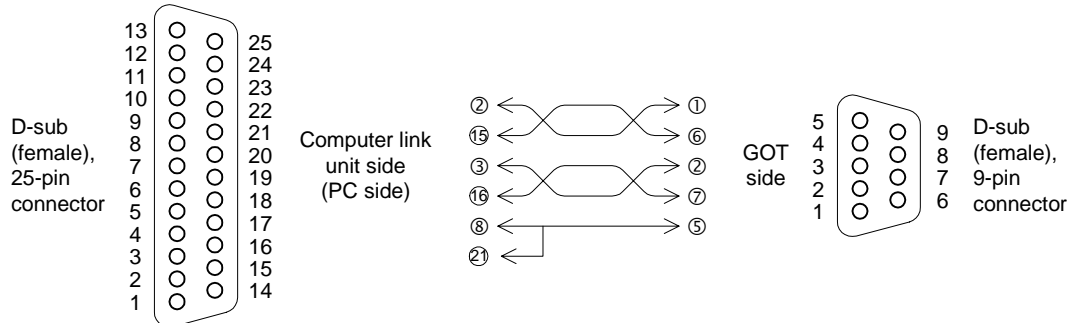
QnA, Q2AS — CPU direct connection (RS-422)
 — Computer link correction (RS-422, RS-232C)
 AJ71QC24, AJ71QC24-R2, AJ71QC24-R4
 A1SJ71QC24, A1SJ71QC24-R2

* Connection is same as that of the A Series except computer link connection via the RS-422 interface whose connector is D-sub, 25-pin type.
Refer to connection diagrams of the A Series.



<Communication via RS-422>

When the RS-422 interface for computer link connection is D-sub, 25-pin connector



Caution: When a personal computer is connected using the two-port interface function built in the F940GOT during CPU communication, only the personal computer software SW□D5C(F)-GPPW is available for communication.

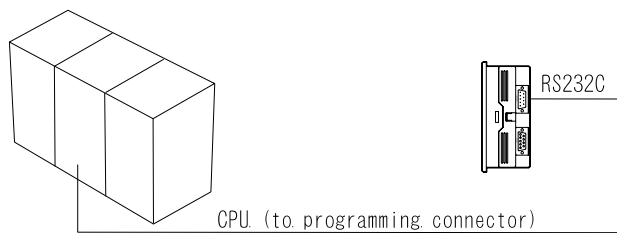
4. Connection to SLC 500 Series

The SLC 500 Series PC manufactured by Allen-Bradley can be connected using a programming connector in the PC.

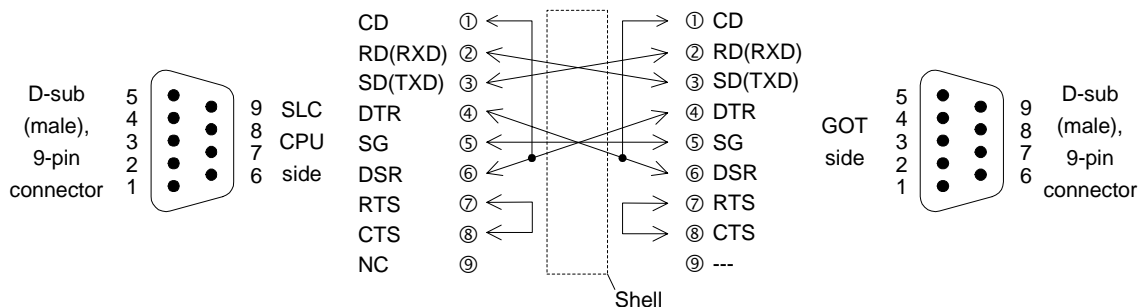
- Applicable PCs
<SLC 500 Series>
SLC5/03, SLC5/04
For the communication setting, refer to the F940GOT Operation Manual.

<Connection status>
CPU direct connection (RS-232C)

- System configuration



- Connect the GOT and the SLC Series PC as shown below.
For the cable length and the detailed specifications of the SLC Series, refer to the manual of the SLC Series.



5. Connection to Bar Code Reader

The F940-GOT can be connected to a bar code reader.

- Applicable bar code readers
 The F940-GOT can be connected to any bar code reader whose communication specifications and data format are as shown below.

Table 5.1 : Communication specifications

| | |
|--------------------------------|---------|
| Communication port | RS232C |
| Communication baud rate | 9600bps |
| Data length | 8 bit |
| Stop bit length | 1 bit |
| Parity | Even |

Table 5.2 : Data format

| | |
|----------------------|-----------------|
| Data (8 bits) | CR (0DH) |
|----------------------|-----------------|

Data : ASCII code

Header : None

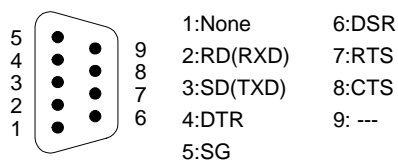
End code : CR (0DH)

For the communication setting and sequence programs, refer to the F940GOT Operation Manual offered separately.

- System configuration



- Connection



* Because the RS-232C connector is used to connect a bar code reader, the printout function and the two-port interface function are not available while a bar code reader is connected.

When the F940GOT is connected to a PC unit via RS-232C, any bar code reader cannot be connected.



6. Screen Hard Copy Function

The screen being displayed can be output to a printer.

- Applicable printers
 Printer with ESC/P J84, RS-232C interface
 - * Verified printer model name LBP450 (A4 laser printer) manufactured by CANON
 - Printable screens
 User screens (in the screen mode)
 System screens cannot be printed out.
 - Communication parameter setting
 - Communication baud rate:
 - Data length: 8 bits
 - Stop bit length: 1 or 2 bits
 - Parity: Even, odd or none
 - Flow control:
 - Printer: Connected or not connected
- *Cautions on connection
- 1) When the F940GOT is connected to a PC via RS-232C or to a bar code reader, the screen hard copy function is not available.
 - 2) System screens cannot be printed out.
 - 3) Because the connector cover on the rear face should be open in a handy display unit, its dust-proof ability and water-proof ability are not effective.

7. Additional Function in Alarm History Display

- The following touch keys (key codes) are added in the alarm history display function.

Table 7.1 :

| Key code | Description of function | |
|----------|--|--|
| FFB6 (H) | Deletes displayed alarms selected on the screen. | While alarm devices are set to ON, selected alarms or the entire alarm history is not deleted. |
| FFB7 (H) | Deletes the entire alarm history. | |

- The "delete" touch key having the same function as that of FFB6 is added also in the alarm history in the alarm mode.

8. Specification of Ten-Key Window Initial Display Position

- The initial display position of the ten-key window available to input numerics and ASCII codes was fixed at the lower right corner conventionally.
 Now, the initial display position can be specified for each screen using the screen creation software.

