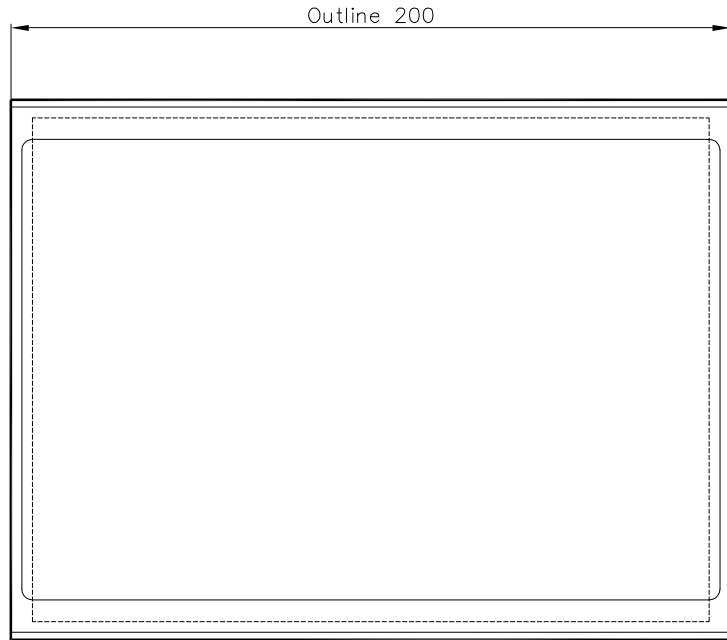
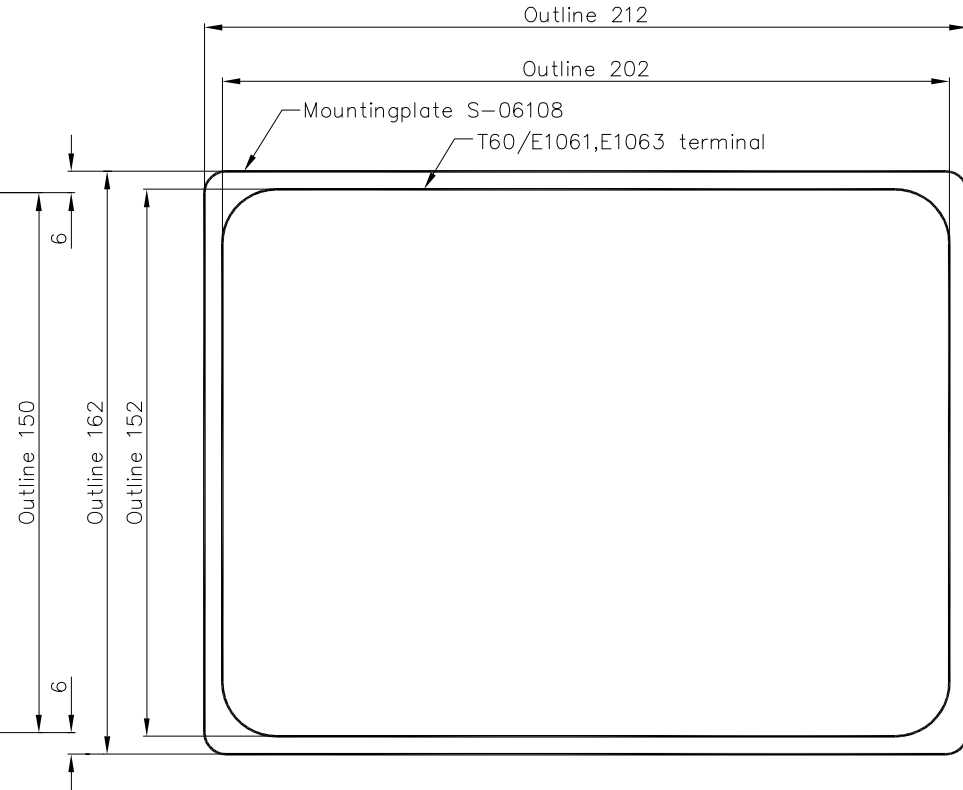


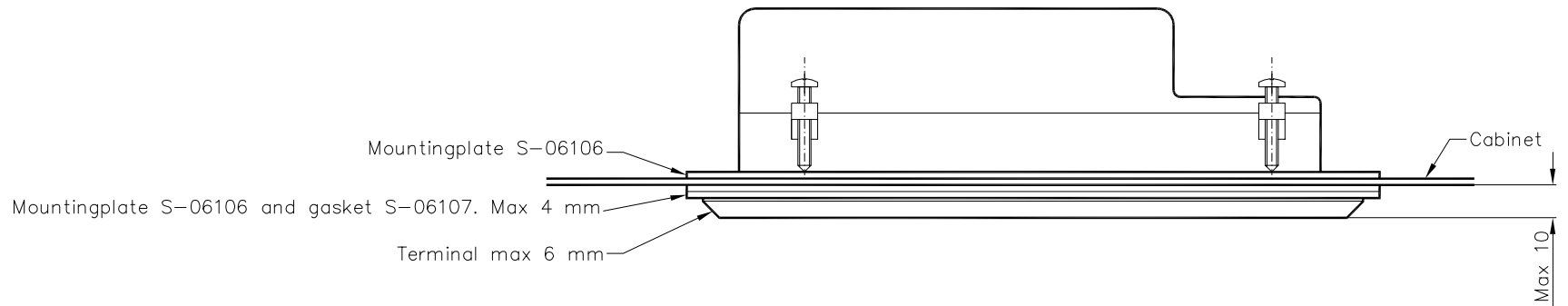
Front view C67-C69/E610-E615



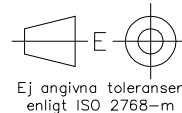
Front view T60/E1061,E1063



Top view T60/E1061,E1063



Drawn to scale 1:1



A2

		Complete mounting plate for T60/E1061,E1063 in C67-C69/E610-E615 mounting hole					
Drawn	Date	App.	Revision	Revision date	Page	Next page	Drawing No.
EAN	2005-08-18		-	-	1	-	S-06108