

GOT2000 Series RGB Output Unit

User's Manual

GT27-ROUT-Z

Set of GT16M-ROUT-Z and GT27-IF1000

Thank you for purchasing the GOT2000 Series.

Prior to use, please read both this manual and detailed manual thoroughly to fully understand the product.

MODEL	GT27-ROUT-Z-U-JE
MODEL CODE	1D7ML5
IB(NA)-0800520-D(1610)MEE	

●SAFETY PRECAUTIONS●

(Always read these precautions before using this equipment.)

Before using this product, please read this manual and the relevant manuals introduced in this manual carefully and pay full attention to safety to handle the product correctly. The precautions given in this manual are concerned with this product. In this manual, the safety precautions are ranked as "WARNING" and "CAUTION".

[INSTALLATION PRECAUTIONS]

- ⚠ WARNING**

 - Be sure to shut off all phases of the external power supply used by the system before mounting or removing this unit to/from the GOT. Not doing so can cause a unit failure or malfunction.
 - Before connecting the Bus connection cable to this unit, always shut off GOT power and PLC CPU power externally in all phases. Not doing so can cause a malfunction.
- ⚠ CAUTION**

 - Use this unit in the environment that satisfies the general specifications described in the User's Manual for the GOT used. Not doing so can cause an electric shock, fire, malfunction or product damage or deterioration.
 - Do not drop the unit or subject it to strong shock. A unit damage may result.
 - When installing this unit to the GOT, fit it to the connection interface of the GOT and tighten the mounting screws in the specified torque range (0.36 N-m to 0.48 N-m) with a Phillips-head screwdriver No.2. Undertightening can cause a drop, failure or malfunction. Overtightening can cause a drop, failure or malfunction due to screw or unit damage.

[WIRING PRECAUTIONS]

- ⚠ WARNING**

 - Be sure to shut off all phases of the external power supply used by the system before wiring. Failure to do so may result in an electric shock, product damage or malfunctions.
- ⚠ CAUTION**

 - Exercise care to avoid foreign matter such as chips and wire offcuts entering the unit. Not doing so can cause a fire, failure or malfunction.
 - Make sure to securely connect the cable to the connector of unit. Incorrect connection may cause malfunctions.

[STARTUP AND MAINTENANCE PRECAUTIONS]

- ⚠ WARNING**

 - Before starting cleaning, always shut off GOT power externally in all phases. Not doing so can cause a unit failure or malfunction. Undertightening can cause the GOT to drop, short circuit or malfunction. Overtightening can cause a short circuit or malfunction due to the damage of the screws or unit.
 - Do not disassemble or modify any unit. This will cause failure, malfunction, injuries, or fire.
 - Do not touch the conductive areas and electronic parts of this unit directly. Doing so can cause a unit malfunction or failure.

- ⚠ CAUTION**

 - Always secure the cables connected to the unit, e.g. run them in conduits or clamp them. Not doing so can cause unit or cable damage due to dangling, moved or accidentally pulled cables or can cause a malfunction due to a cable contact fault.
 - Do not hold the cable part when unplugging any cable connected to the unit. Doing so can cause unit or cable damage or a malfunction due to a cable contact fault.
 - Always make sure to touch the grounded metal to discharge the electricity charged in the body, etc., before touching the unit. Failure to do so may cause a failure or malfunctions of the unit.

[DISPOSAL PRECAUTIONS]

- ⚠ CAUTION**

 - Dispose of this product as industrial waste.

[TRANSPORTATION PRECAUTIONS]

- ⚠ CAUTION**

 - Make sure to transport the GOT main unit and/or relevant unit(s) in the manner they will not be exposed to the impact exceeding the impact resistance described in the general specifications of the User's Manual for the GOT used, as they are precision devices. Failure to do so may cause the unit to fail. Check if the unit operates correctly after transportation.
 - When fumigants that contain halogen materials such as fluorine, chlorine, bromine, and iodine are used for disinfecting and protecting wooden packaging from insects, they cause malfunction when entering our products. Please take necessary precautions to ensure that remaining materials from fumigant do not enter our products, or treat packaging with methods other than fumigation (heat method). Additionally, disinfect and protect wood from insects before packing products.

Manual

The following shows manuals relevant to this product.

Manual name	Manual number (Model code)
GOT2000 Series User's Manual (Hardware) (Sold separately)	SH-081194ENG (1D7MJ5)
GOT2000 Series Connection Manual (Microcomputers, MODBUS Products, Peripherals) For GT Works3 Version1	SH-081200ENG

For detailed manuals and relevant manuals, refer to the e-Manual or PDF manuals stored in the DVD-ROM for the screen design software used.

The latest manuals are also available from MITSUBISHI ELECTRIC FA Global Website (<http://www.mitsubishielectric.com/faq>).

© 2013 MITSUBISHI ELECTRIC CORPORATION

Compliance with the EMC and Low Voltage Directives

To configure a system meeting the requirements of the EMC and Low Voltage Directives when incorporating the Mitsubishi GOT (EMC and Low Voltage Directives compliant) into other machinery or equipment, refer to "EMC AND LOW VOLTAGE DIRECTIVES" of the General Description included with the GOT used. The CE mark, indicating compliance with the EMC and Low Voltage Directives, is printed on the rating plate of the GOT.

Compliance with the new China RoHS directive

GOT 相关的基于“电器电子产品有害物质限制使用管理办法”要求的表示方法



Note: This symbol mark is for China only.

含有有害6物质的名称、含有量、含有部
本产品中所含有的有害6物质的名称、含有量、含有部如下表所示。
产品中有有害物质的名称及含量

部件名称	有害物质					
	铅 (Pb)	汞 (Hg)	镉 (Cd)	六价铬 (Cr(VI))	多溴联苯 (PBB)	多溴二苯醚 (PBDE)
电路板组件	×	○	○	○	○	○
树脂壳体、电缆、膜材	○	○	○	○	○	○
钣金部件、螺丝等金属部件	×	○	○	○	○	○

本表格依据 SJ/T11364 的规定编制。
○ : 表示该有害物质在该部件所有均质材料中的含量均在 GB/T26572 规定的限量要求以下。
× : 表示该有害物质在该部件所有均质材料中的含量超出 GB/T26572 规定的限量要求。

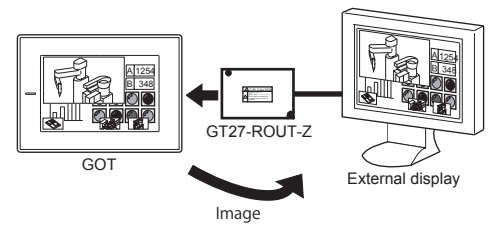
Packing List

After unpacking the box, check that the following products are included.

Model	Product	Quantity
GT27-ROUT-Z	GT16 RGB output unit GT16M-ROUT-Z	1
	Video Interface Converter Unit GT27-IF1000	1
	Mounting screw set for Video Interface Converter Unit (2 screws (26mm), 2 stickers)	4
	GOT2000 Series Output Unit User's Manual (This manual)	1

1. OVERVIEW

This user's manual describes the GT27 RGB output unit (hereinafter referred to as the RGB output unit). The RGB output unit is configured with the GT 16 RGB output unit and the Video Interface Converter Unit. When mounting RGB output unit with GT27 the RGB output unit can external display screens on GOT.



To use the RGB output unit, set the controller settings. For the settings and system configurations, refer to GOT2000 Series Connection Manual (Microcomputer, MODBUS Products, Peripherals) for GT Works3 Version 1. For the details of the RGB output function, refer to GT Designer3 (GOT2000) Help.

2. SPECIFICATIONS

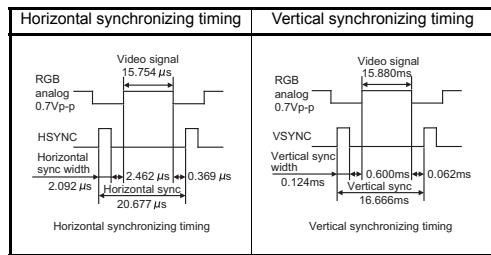
The following shows the performance specifications of the RGB output unit. The general specifications of the RGB output unit are the same as those of the GOT.

For the general specifications of the GOT, refer to the GOT2000 Series User's Manual (Hardware).

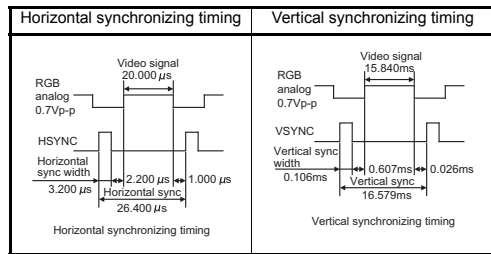
2.1 RGB output unit

Item	Specifications		
	GT2715-X	GT2712-S GT2710-S GT2708-S	GT2710-V GT2708-V
RGB output format	Analog RGB		
Display size	XGA: 1024 X 768 dot	SVGA: 800 X 600 dot	VGA: 640 X 480 dot
Number of RGB output channels	1 channel		
Dot clock	65.000 MHz	40.000 MHz	25.175 MHz
Horizontal scanning frequency	48.4 kHz	37.9 kHz	31.5 kHz
Vertical scanning frequency	60 Hz		
Timing chart	Refer to 2.2	Refer to 2.3	Refer to 2.4
Connector for external connection	D-Sub15 pin: female		
Internal current consumption	3.3VDC 5.0VDC	0.13A 0.33A accompanied with the GT27-IF1000	
Weight	0.31kg accompanied with the GT27-IF1000		

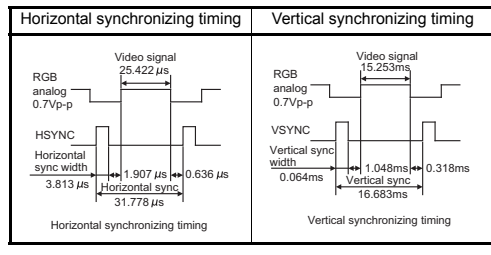
2.2 GT2715-X Timing Chart



2.3 GT2712-S, GT2710-S, and GT2708-S Timing Chart

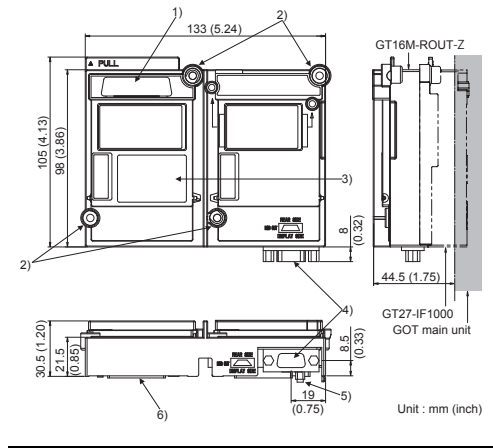


2.4 GT2710-V and GT2708-V Timing Chart



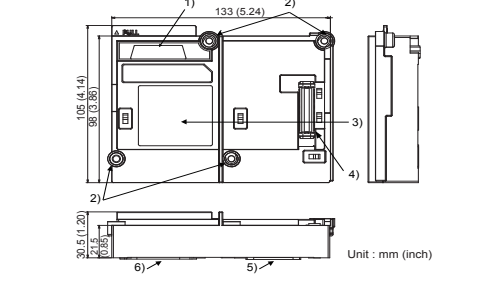
3. PART NAMES AND EXTERNAL DIMENSIONS

3.1 GT16 RGB Output Unit



No.	Name	Description
1)	Extension connector	Connector for connecting an extension unit
2)	Mounting screw	Screw for fixing the Video Interface Converter Unit
3)	Rating plate	
4)	Connector for RGB output	Connector for connecting a 9-core combined cable
5)	Video connector	Video connector connected to the Video Interface Converter Unit
6)	Interface connector	Connector connected to the Video Interface Converter Unit

3.2 Video Interface Converter Unit



No.	Name	Description
1)	Extension connector	Connector for connecting the GT16 RGB Output Unit
2)	Mounting screw	Screw for fixing the GOT
3)	Rating plate	
4)	Video connector	Video connector for connecting the GT16 RGB Output Unit
5)	Auxiliary extension connector	Auxiliary extension connector connected to the GOT
6)	Interface connector	Extension connector connected to the GOT

4. INSTALLATION AND REMOVAL PROCEDURE

4.1 Unit Installation

The installation procedure for the RGB output unit is explained using the GT2712.

- 1) Turn off the GOT.
- 2) Pull up the two hooks in the extension unit cover (two covers) of the GOT to remove the cover toward the opposite side of the hoods of the cover as a fulcrum.
- 3) Connect the Video Interface Converter Unit to the auxiliary extension interface and the extension interface on the GOT. After connecting it, tighten four mounting screws (26mm) with a torque of 0.36N-m to 0.48N-m to fix the unit.

- 4) Fit the GT16 RGB output unit in the Video Interface Converter Unit case.
- 5) Tighten four mounting screws (40mm) of GT16 RGB output unit with a torque of 0.36N-m to 0.48N-m to fix the unit.
- 6) For mounting any extension unit on GT16 RGB output unit, remove the connector cover and the stickers. For mounting no extension unit on the GT16 RGB output unit, cover over four mounting screws with the accessory stickers to the GT16 RGB output unit or the Video Interface Converter Unit/Video Interface Converter Unit to avoid static electricity. Keep the connector cover fixed. Keep all the stickers fixed.

4.2 Unit Removal

For removing the RGB output unit, reverse the procedure of the installation.

Warranty

Mitsubishi will not be held liable for damage caused by factors found not to be the cause of Mitsubishi; machine damage or lost profits caused by faults in the Mitsubishi products; damage, secondary damage, accident compensation caused by special factors unpredictable by Mitsubishi; damages to products other than Mitsubishi products; and to other duties.

⚠ For safe use

- This product has been manufactured as a general-purpose part for general industries, and has not been designed or manufactured to be incorporated in a device or system used in purposes related to human life.
- Before using the product for special purposes such as nuclear power, electric power, aerospace, medicine or passenger movement vehicles, consult with Mitsubishi.
- This product has been manufactured under strict quality control. However, when installing the product where major accidents or losses could occur if the product fails, install appropriate backup or failsafe functions in the system.

Country/Region	Sales office/Tel
USA	Mitsubishi Electric Automation, Inc. 500 Corporate Woods Parkway, Vernon Hills, IL 60061, U.S.A. Tel: +1-847-478-2100
Brazil	Mitsubishi Electric do Brasil Comercio e Servicos Ltda. Rua Jussara, 1750 - Bloco B Anexo, Jardim Santa Cecilia, CEP 06465-070, Barueri - SP, Brasil Tel: +55-11-4689-3000
Mexico	Mitsubishi Electric Automation, Inc. Mexico Branch Mariano Escobedo #69, Col. Zona Industrial, Tlatinepantla Edo. Mexico, C.P.54030 Tel: +52-55-3067-7511
Germany	Mitsubishi Electric Europe B.V. German Branch Mitsubishi-Electric-Platz 1, 40882 Ratingen, Germany Tel: +49-2102-486-0
UK	Mitsubishi Electric Europe B.V. UK Branch Travelers Lane, Hatfield, Hertfordshire, AL10 8XB, U.K. Tel: +44-1707-28-8780
Italy	Mitsubishi Electric Europe B.V. Italian Branch Centro Direzionale Colleoni - Palazzo Sino, Viale Colleoni 7, 20064 Agrate Brianza (Milano), Italy Tel: +39-039-60531
Spain	Mitsubishi Electric Europe B.V. Spanish Branch Carretera de Rubi 75-80-Apdo 420, 08190 Sant Cugat del Valles (Barcelona), Spain Tel: +34-935-85-3131
France	Mitsubishi Electric Europe B.V. French Branch 25, Boulevard des Bouvets, 92741 Nanterre Cedex, France Tel: +33-1-55-68-55-68
Czech	Mitsubishi Electric Europe B.V. Czech Branch Avenir Business Park, Radlicka 751/113e, 158 00 Praha 5, Czech Republic Tel: +420-251-551-470
Turkey	Mitsubishi Electric Turkey A.S. Umraniye Branch Sarıfai Mahallesi Nispetiye Sokak No:5, TR-34775 Umraniye / Istanbul, Turkey Tel: +90-216-526-9890
Poland	Mitsubishi Electric Europe B.V. Polish Branch ul. Krakowska 50, 32-083 Balice, Poland Tel: +48-12-347-65-00
Russia	Mitsubishi Electric (Russia) LLC St. Petersburg Branch Piskarevsky pr. 2, bld 2, lit "Sch", BC "Bernia", office 720; RU-195027 St. Petersburg, Russia Tel: +7-812-633-3497
South Africa	Adroit Technologies 20 Waterford Office Park, 189 Witkoppen Road, Fourways, Johannesburg, South Africa Tel: +27-11-658-8100
China	Mitsubishi Electric Automation (China) Ltd. No.1386 Hongqiao Road, Mitsubishi Electric Automation Center, Shanghai, China Tel: +86-21-3222-3030
Taiwan	SETSUYO ENTERPRISE CO., LTD. 6F, No.105, Wugong 3rd Road, Wugu District, New Taipei City 24889, Taiwan Tel: +886-2-2299-2499
Korea	Mitsubishi Electric Automation Korea Co., Ltd. 7F-9F, Gangseo Hangang Xi-tower A, 401, Yangcheon Gangseo-Gu, Seoul 07528, Korea Tel: +82-2-9600-9530
Singapore	Mitsubishi Electric Asia Pte. Ltd. 307 Alexandra Road, Mitsubishi Electric Building, Singapore 159943 Tel: +65-6473-2308
Thailand	Mitsubishi Electric Factory Automation (Thailand) Co., Ltd. 12th Floor, SIV City Building, Office Tower 1, No. 898/19 and 20 Rama 3 Road, Kwaeng Bangpoongang, Khet Yama, Bangkok 10120, Thailand Tel: +66-2682-6522 to 31
Indonesia	PT. Mitsubishi Electric Indonesia Gedung Jaya 11th Floor, Jl. MH. Thamrin No.12, Jakarta Pusat 10340, Indonesia Tel: +62-21-3192-6461
Vietnam	Mitsubishi Electric Vietnam Co., LTD. Ho Chi Minh Head Office Unit 01-04, 10th Floor, Vincom Center, 72 Le Thanh Ton Street, District 1, Ho Chi Minh City, Vietnam Tel: +84-8-3910-5945
India	Mitsubishi Electric India Pvt. Ltd. Pune Branch Emerald House, EL - 3, J Block, M.I.D.C., Bhosari, Pune - 411026, Maharashtra, India Tel: +91-20-2710-2000
Australia	Mitsubishi Electric Australia Pty. Ltd. 348 Victoria Road, P.O. Box 11, Rydalmere, N.S.W. 2116, Australia Tel: +61-2-9684-7777

MITSUBISHI ELECTRIC CORPORATION
HEAD OFFICE: TOKYO BUILDING, 2-7-3 MARUNOUCHI, CHYODA-KU, TOKYO 100-8310, JAPAN
NAGOYA WORKS: 1-14, YADA-MINAMI 5-CHOME, HIGASHI-KU, NAGOYA, JAPAN

When exported from Japan, this manual does not require application to the Ministry of Economy, Trade and Industry for service transaction permission.
Specifications subject to change without notice.
Printed in Japan, October 2016.