

MITSUBISHI ELECTRIC

GOT2000/GOT1000 Series STAND

User's Manual

**GT15-90STAND
GT15-80STAND
GT15-70STAND
GT05-50STAND**

Thank you for choosing Mitsubishi Electric Graphic Operation Terminal (GOT).

Prior to use, please read both this manual and detailed manual thoroughly to fully understand the product.

MODEL	GT15-STAND-U
MODEL CODE	1D7M00
IB(NA)-0800294-G(1710)MEE	

© 2004 MITSUBISHI ELECTRIC CORPORATION

SAFETY PRECAUTIONS

(Always read these precautions before using this equipment.)

Before using this product, please read this manual and the relevant manuals introduced in this manual carefully and pay full attention to safety to handle the product correctly.

The precautions given in this manual are concerned with this product. In this manual, the safety precautions are ranked as "WARNING" and "CAUTION".

- WARNING** Indicates that incorrect handling may cause hazardous conditions, resulting in death or severe injury.
- CAUTION** Indicates that incorrect handling may cause hazardous conditions, resulting in medium or slight personal injury or physical damage.

Note that the CAUTION level may lead to a serious accident according to the circumstances. Always follow the precautions of both levels because they are important to personal safety. Please save this manual to make it accessible when required and always forward it to the end user.

INSTALLATION PRECAUTIONS

WARNING

- Make sure to externally shut off the all phases of the system power supply before mounting/removing the GOT onto/from the stand. Failure to do so may cause the unit to fail or malfunction.

CAUTION

- Use this stand in an environment which satisfies the general specifications of the GOT to be used. Using in an environment other than that satisfies the general specifications may cause an electric shock, a fire, or damage or deterioration to the GOT. For the general specifications of the GOT, refer to the detailed manual.
- Be careful not to get your finger caught when removing the angle adjusting screws from the stand and adjusting the mounting angle.
- When mounting the GOT onto the stand, fix it with the mounting fixtures securely and tighten the screws in the specified torque range. Loose tightening may cause the GOT to drop off from the stand. For the specified torque range of the mounting screws, refer to the detailed manual.
- Make sure that mounting angle is 45, 55, 65 or 75 degrees, when adjusting the mounting angle with the GOT mounted on the stand. If mounting angle is set to other than above, the GOT bottom may interfere with the stand bottom, resulting in the GOT damage.

PRECAUTIONS FOR USE

CAUTION

- Install this stand on a horizontal and stable place. If this stand is used on an unstable place, the GOT may fall down, causing a damage to the GOT or an injury to the user.

DISPOSAL PRECAUTIONS

CAUTION

- Dispose of this product as industrial waste.

Manuals

The following shows manuals relevant to this product.

Detailed Manual

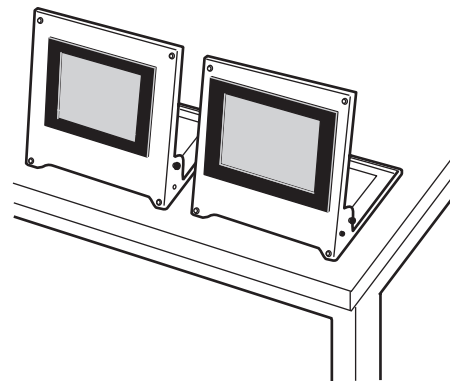
Manual name	Manual number (Type code)
GOT2000 Series User's Manual (Hardware) (Sold separately)	SH-081194ENG (1D7MJ5)
GT16 User's Manual (Hardware) (Sold separately)	SH-080928ENG (1D7MD3)
GT15 User's Manual (Sold separately)	SH-080528ENG (1D7M23)

Relevant Manuals

For relevant manuals, refer to the PDF manuals stored in the GT Designer3 DVD-ROM.

1. Overview

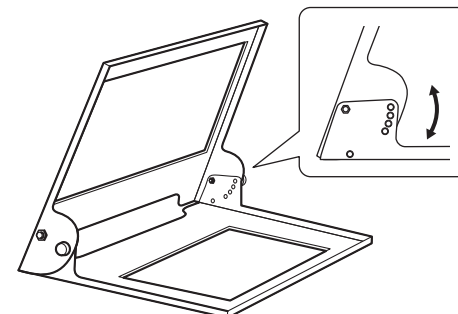
This User's Manual describes the stand for the GOT2000/GOT1000 series (hereafter abbreviated to the stand). The stand is useful for debugging the GOT screen data, as it can set the GOT at a proper angle on a table.



3. How to Use Stand

(1) GT15-90STAND, GT15-80STAND, GT15-70STAND
GT2710 is mounted on GT15-70STAND in the following example.

- Adjust the mounting angle with the angle adjusting screw.



(For GT15-70STAND)

- Put the GOT into the opening section of the stand from the back. GT15-70STAND has two opening sections. The bigger one is for the 10.4" GOT and the smaller one is for the 8.4" GOT.
- Put the mounting fixtures into the holes for the GOT mounting fixtures and fasten the mounting screws in the specified torque range (0.36 Nm to 0.48 Nm) to fix the GOT.
- After the installation, perform wiring, etc.

2. SPECIFICATIONS

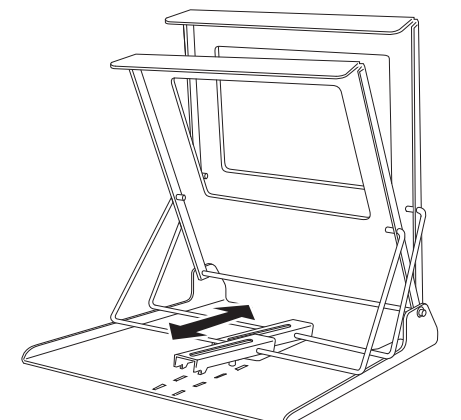
The general specifications of the stand is the same as that of the GOT. For the general specifications of the GOT, refer to the detailed manual. The following shows the screen size supported by the stand.

Product name	Model name	Description
Stand	GT15-90STAND	For 15" GOT
	GT15-80STAND	For 12.1" GOT
	GT15-70STAND	For 10.4", 8.4" GOT
	GT05-50STAND	For 5.7" GOT

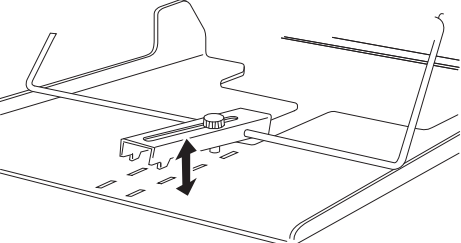
(2) GT05-50STAND

GT2705 is mounted on GT05-50STAND in the following example.

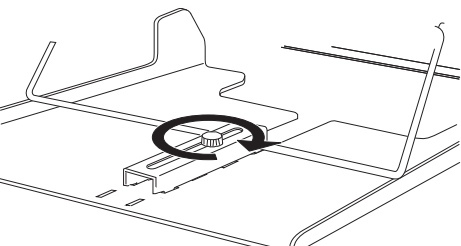
- Determine the angle for installing the GOT. Slide the angle adjustment fitting as shown below to determine the angle. The angle can be adjusted to 75°, 65°, 55° or 45°. When installing multiple units to the GOT, use the stand with 75 or 65 degrees for securing lead-in allowances for cables at the bottom of the GOT.



- Once the angle is determined, insert the angle adjustment fitting's fixing hook into the hook insertion section on the bottom of the stand.

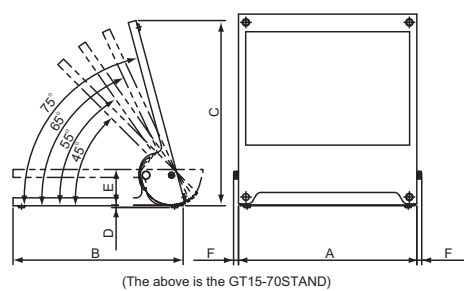


- Securely tighten the fixing screw.



- Put the GOT into the opening section of the stand from the back.
- Put the mounting fixtures into the holes for the GOT mounting fixtures and fasten the mounting screws in the specified torque range (0.36 Nm to 0.48 Nm) to fix the GOT.
- After the installation, perform wiring, etc.

4. External Dimensions



(The above is the GT15-70STAND)

Model name	Type of GOT mounted	A	B	C*	D	E	F
GT15-90STAND	When 15" GOT is mounted	444 (17.5)	200 (7.9)	364 (14.3)	4 (0.16)	65 (2.56)	8.7 (0.34)
GT15-80STAND	When 12.1" GOT is mounted	334 (13.1)	200 (7.9)	345 (13.6)	4 (0.16)	63 (2.48)	8.7 (0.34)
GT15-70STAND	When 10.4" GOT is mounted	314 (12.4)	300 (11.8)	327 (12.9)	4 (0.16)	63 (2.48)	8.7 (0.34)
	When 8.4" GOT is mounted	314 (12.4)	335 (13.2)	294 (11.6)	4 (0.16)	63 (2.48)	8.7 (0.34)
GT05-50STAND	When 5.7" GOT is mounted	210 (0.83)	260 (10.24)	254 (10)	4 (0.16)	40 (1.57)	5 (0.2)

Unit: mm (inch)

* Dimensions for mounting angle of 75 degrees

Model name	Weight
GT15-90STAND	1.7kg(3.7lb)
GT15-80STAND	1.9kg(4.2lb)
GT15-70STAND	1.5kg(3.3lb)
GT05-50STAND	1.1kg(2.4lb)

Warranty

Mitsubishi will not be held liable for damage caused by factors found not to be the cause of Mitsubishi; machine damage or lost profits caused by faults in the Mitsubishi products; damage, secondary damage, accident compensation caused by special factors unpredictable by Mitsubishi; damages to products other than Mitsubishi products; and to other duties.

For safe use

- This product has been manufactured as a general-purpose part for general industries, and has not been designed or manufactured to be incorporated in a device or system used in purposes related to human life.
- Before using the product for special purposes such as nuclear power, electric power, aerospace, medicine or passenger movement vehicles, consult with Mitsubishi.
- This product has been manufactured under strict quality control. However, when installing the product where major accidents or losses could occur if the product fails, install appropriate backup or failsafe functions in the system.

Country/Region Sales office/Tel

USA	Mitsubishi Electric Automation, Inc. 500 Corporate Woods Parkway, Vernon Hills, IL 60061, U.S.A. Tel: +1-847-478-2100
Brazil	Mitsubishi Electric do Brasil Comercio e Servicos Ltda. Avenida Adelino Cardana, 293, 21 andar, Bethaville, Barueri SP, Brasil CEP 06401-147 Tel: +55-11-4689-3000
Mexico	Mitsubishi Electric Automation, Inc. Mexico Branch Mariano Escobedo #69, Col. Zona Industrial, Tlalnepantla Edo. Mexico, C.P.54030 Tel: +52-55-3067-7511
Germany	Mitsubishi Electric Europe B.V. German Branch Mitsubishi-Electric-Platz 1, 40882 Ratingen, Germany Tel: +49-2102-486-0
UK	Mitsubishi Electric Europe B.V. UK Branch Travellers Lane, Hatfield, Hertfordshire, AL10 8XB, U.K. Tel: +44-1707-28-8780
Italy	Mitsubishi Electric Europe B.V. Italian Branch Centro Direzionale Colleoni - Palazzo Sirio, Viale Colleoni 7, Agrate Brianza (MB), Italy Tel: +39-039-40531
Spain	Mitsubishi Electric Europe B.V. Spanish Branch Carretera de Rubi 75-80-Appdo.420, 08190 Sant Cugat del Valles (Barcelona), Spain Tel: +34-935-65-3131
France	Mitsubishi Electric Europe B.V. French Branch 25, Boulevard des Bouvets, 92741 Nanterre Cedex, France Tel: +33-1-55-65-65-68
Czech	Mitsubishi Electric Europe B.V. Czech Branch Avenir Business Park, Radlicka 751/113e, 158 00 Praha 5, Czech Republic Tel: +420-251-551-470
Turkey	Mitsubishi Electric Turkey A.S. Umraniye Branch Serfil Mahallesi Nutuk Sokak No:5, TR-34775 Umraniye / Istanbul, Turkey Tel: +90-216-526-3990
Poland	Mitsubishi Electric Europe B.V. Polish Branch ul. Krakowska 50, 32-083 Balice, Poland Tel: +48-12-347-65-00
Russia	Mitsubishi Electric (Russia) LLC St. Petersburg Branch Piskarevsky pr. 2, bid 2, lit "Sch", BC "Benua", office 720; RU-190227 St. Petersburg, Russia Tel: +7-812-833-3497
South Africa	Adroit Technologies 20 Waterford Office Park, 189 Wilkoppen Road, Fourways, Johannesburg, South Africa Tel: +27-11-658-8100
China	Mitsubishi Electric Automation (China) Ltd. No.1386 Hongqiao Road, Mitsubishi Electric Automation Center, Shanghai, China Tel: +86-21-2322-3030
Taiwan	SETSUYO ENTERPRISE CO., LTD. 6F, No.105, Wugong 3rd Road, Wugu District, New Taipei City 24889, Taiwan Tel: +886-2-2299-2499
Korea	Mitsubishi Electric Automation Korea Co., Ltd. 7F-9F, Gangseo Hangang Xi-tower A, 401, Yangcheon-ro, Gangseo-Gu, Seoul 07526, Korea Tel: +82-2-3660-9530
Singapore	Mitsubishi Electric Asia Pte. Ltd. 307 Alexandra Road, Mitsubishi Electric Building, Singapore 159943 Tel: +65-6473-2308
Thailand	Mitsubishi Electric Factory Automation (Thailand) Co., Ltd. 12th Floor, 5V City Building, Office Tower 1, No. 999/19 and 20 Rama 3 Road, Kwaeng Bangpoo, Khet Yamnawa, Bangkok 10120, Thailand Tel: +66-2682-6522 to 31
Indonesia	PT. Mitsubishi Electric Indonesia Gedung Jaya 11th Floor, J.L. MH. Thamrin No.12, Jakarta Pusat 10340, Indonesia Tel: +62-21-3192-6461
Vietnam	Mitsubishi Electric Vietnam Co., LTD. Ho Chi Minh Head Office Unit 01-04, 10th Floor, Vincom Center, 72 Le Thanh Ton Street, District 1, Ho Chi Minh City, Vietnam Tel: +84-8-3910-5945
India	Mitsubishi Electric India Pvt. Ltd. Pune Branch Emerald House, EL-3, J Block, M.I.D.C., Bhosari, Pune - 411026, Maharashtra, India Tel: +91-20-2710-2000
Australia	Mitsubishi Electric Australia Pty. Ltd. 348 Victoria Road, P.O. Box 11, Rydalmere, N.S.W. 2116, Australia Tel: +61-2-9684-7777

MITSUBISHI ELECTRIC CORPORATION

HEAD OFFICE : TOKYO BUILDING, 2-7-3 MARUNOUCHI, CHYODAKU, TOKYO 100-8310, JAPAN
NAGOYA WORKS : 1-14, YADA-MINAMI 5-CHOME, HIGASHI-KU, NAGOYA, JAPAN

When exported from Japan, this manual does not require application to the Ministry of Economy, Trade and Industry for service transaction permission.

Specifications subject to change without notice.
Printed in Japan, October 2017.