

MITSUBISHI

GT15 PROTECTIVE SHEET

User's Manual

GT15-90PSCB	GT15-90PSCW
GT15-90PSGB	GT15-90PSGW
GT15-80PSCB	GT15-80PSCW
GT15-80PSGB	GT15-80PSGW
GT15-70PSCB	GT15-70PSCW
GT15-70PSGB	GT15-70PSGW
GT15-60PSCB	GT15-60PSCW
GT15-60PSGB	GT15-60PSGW
GT15-50PSCB	GT15-50PSCW
GT15-50PSGB	GT15-50PSGW

Thank you for purchasing the GOT1000 Series.

Prior to use, please read both this manual and detailed manual thoroughly to fully understand the product.

MODEL	GT15-PS-U
MODEL CODE	1D7M01
IB(NA)-0800295-D(0603)MEE	

GRAPHIC OPERATION TERMINAL
GOT1000

SAFETY PRECAUTIONS

(Always read these precautions before using this equipment.)

Before using this product, please read this manual and the relevant manuals introduced in this manual carefully and pay full attention to safety to handle the product correctly.

The precautions given in this manual are concerned with this product.

In this manual, the safety precautions are ranked as "DANGER" and "CAUTION".

DANGER Indicates that incorrect handling may cause hazardous conditions, resulting in death or severe injury.

CAUTION Indicates that incorrect handling may cause hazardous conditions, resulting in medium or slight personal injury or physical damage.

Note that the CAUTION level may lead to a serious accident according to the circumstances. Always follow the precautions of both levels because they are important to personal safety. Please save this manual to make it accessible when required and always forward it to the end user.

[INSTALLATION PRECAUTIONS]

CAUTION

- When attaching the protective sheet onto the GOT display section, make sure to fit the protective sheet onto the section closely without leaving any clearance between them. Failure to do so may cause a malfunction.

[STARTUP AND MAINTENANCE PRECAUTIONS]

CAUTION

- Daily check the protective sheet with eyes. When you find extreme dirt or scratches on the surface, immediately replace it with new one. Using the protective sheet of decreased visibility may cause a malfunction.

[DISPOSAL PRECAUTIONS]

CAUTION

- Dispose of this product as industrial waste.

Manuals

The following shows manuals relevant to this product.

Detailed Manual

Manual name	Manual number (Type code)
GT15 User's Manual (Option)	SH-080528ENG (1D7M23)

Relevant Manuals

For relevant manuals, refer to the PDF manual stored within the drawing software used.

© 2004 MITSUBISHI ELECTRIC CORPORATION

1. Overview

This User's Manual describes the GT15 protective sheet (hereafter abbreviated to the protective sheet). There are the following protective sheet types. Refer to the GT15 User's Manual for the applicable GOT.

Product name	Model name	Description
Protective sheet	GT15-90PSCB	15" protective sheet Clear
	GT15-90PSGB	15" protective sheet Antiglare
	GT15-90PSCW *1	15" protective sheet Clear (Frame: White)
	GT15-90PSGW *1	15" protective sheet Antiglare (Frame: White)
	GT15-80PSCB	12.1" protective sheet Clear
	GT15-80PSGB	12.1" protective sheet Antiglare
	GT15-80PSCW *1	12.1" protective sheet Clear (Frame: White)
	GT15-80PSGW *1	12.1" protective sheet Antiglare (Frame: White)
	GT15-70PSCB	10.4" protective sheet Clear
	GT15-70PSGB	10.4" protective sheet Antiglare
	GT15-70PSCW *1	10.4" protective sheet Clear (Frame: White)
	GT15-70PSGW *1	10.4" protective sheet Antiglare (Frame: White)
	GT15-60PSCB	8.4" protective sheet Clear
	GT15-60PSGB	8.4" protective sheet Antiglare
	GT15-60PSCW *1	8.4" protective sheet Clear (Frame: White)
	GT15-60PSGW *1	8.4" protective sheet Antiglare (Frame: White)
	GT15-50PSCB	5.7" protective sheet Clear
	GT15-50PSGB	5.7" protective sheet Antiglare
	GT15-50PSCW *1	5.7" protective sheet Clear (Frame: White)
	GT15-50PSGW *1	5.7" protective sheet Antiglare (Frame: White)

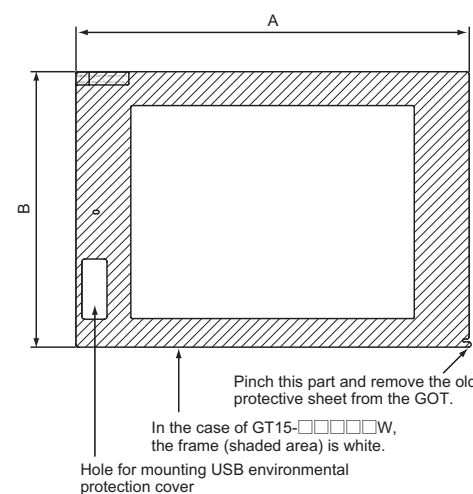
*1 The frame is white. Use it when making the GOT front section (other than the display section) white.

Use the protective sheet to protect the display section surface from scratches and dirt when operating the touch keys on the GOT display section.

Select the clear protective sheet when the display intensity is more required, or select the antiglare protective sheet when prevention of reflections is more required.

2. Part Names and External Dimensions

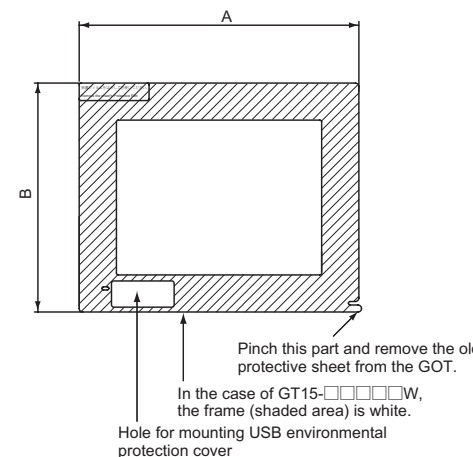
(1) 15"/12.1"/10.4"/8.4" protective sheet



Item	A	B
15" Protective sheet	381 (15.0)	280 (11.0)
12.1" Protective sheet	310 (12.2)	236 (9.3)
10.4" Protective sheet	297 (11.7)	208 (8.2)
8.4" Protective sheet	235 (9.3)	184 (7.2)

Unit: mm (inch)

(2) 5.7" protective sheet

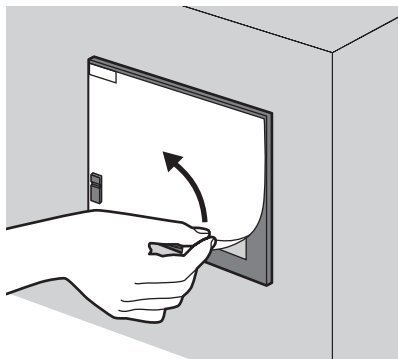


Item	A	B
5.7" protective sheet	160(6.3)	131(5.12)

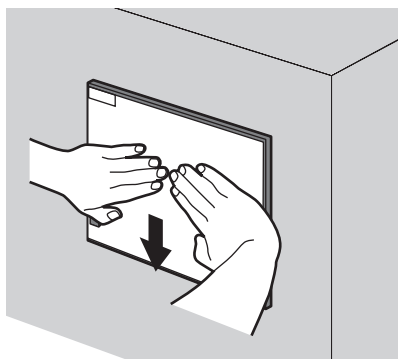
Unit: mm (inch)

3. Installation Procedure

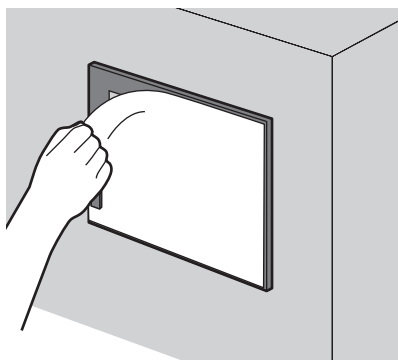
(1) Remove the old protective sheet from the GOT, and clean the GOT surface. (Peel the protective sheet off slowly.)



(2) Peel the release paper from the back of the new protective sheet, and attach its adhesive side to the GOT display section. When attaching the protective sheet, make sure to fit it on the display section closely without leaving any clearance between them.



(3) Peel the protective film off the protective sheet.



Warranty

Mitsubishi will not be held liable for damage caused by factors found not to be the cause of Mitsubishi; machine damage or lost profits caused by faults in the Mitsubishi products; damage, secondary damage, accident compensation caused by special factors unpredictable by Mitsubishi; damages to products other than Mitsubishi products; and to other duties.

For safe use

- This product has been manufactured as a general-purpose part for general industries, and has not been designed or manufactured to be incorporated in a device or system used in purposes related to human life.
- Before using the product for special purposes such as nuclear power, electric power, aerospace, medicine or passenger movement vehicles, consult with Mitsubishi.
- This product has been manufactured under strict quality control. However, when installing the product where major accidents or losses could occur if the product fails, install appropriate backup or failsafe functions in the system.

Country/Region Sales office/Tel

U.S.A	Mitsubishi Electric Automation Inc. 500 Corporate Woods Parkway Vernon Hills, IL 60061 Tel : +1-847-478-2100
Brazil	MELCO-TEC Rep. Com.e Assessoria Tecnica Ltda. Rua Correia Dias, 184, Edificio Paraiso Trade Center-8 andar Paraiso, Sao Paulo, SP Brazil Tel : +55-11-5908-8331
Germany	Mitsubishi Electric Europe B.V. German Branch Golthaer Strasse 9 D-40880 Ratingen, GERMANY Tel : +49-2102-486-0
U.K	Mitsubishi Electric Europe B.V. UK Branch Travellers Lane, Hatfield, Herts., AL10 8XB, UK Tel : +44-1707-276100
Italy	Mitsubishi Electric Europe B.V. Italian Branch Centro Dir. Colleoni, Pal. Perseo-Ingr.2 Via Paracelso 12, 20041 Agrate B., Milano, Italy Tel : +39-039-6053344
Spain	Mitsubishi Electric Europe B.V. Spanish Branch Carretera de Rubi 76-80 08190 - Sant Cugat del Valles, Barcelona, Spain Tel : +34-93-565-3131
France	Mitsubishi Electric Europe B.V. French Branch 25 Boulevard des Bouvets, F-92741 Nanterre Cedex, France TEL: +33-1-5568-5568
South Africa	Circuit Breaker Industries LTD. Tripswitch Drive, Elandsfontein Gauteng, South Africa Tel : +27-11-928-2000
Hong Kong	Ryoden Automation Ltd. 10th Floor, Manulife Tower, 169 Electric Road, North Point, HongKong Tel : +852-2887-8870
China	Ryoden Automation Shanghai Ltd. 3F Block5 Building Automation Instrumentation Plaza 103 Cao Bao Rd. Shanghai 200233 China Tel : +86-21-6120-0808
Taiwan	Setsumo Enterprise Co., Ltd. 6F., No.105 Wu-Kung 3rd.RD, Wu-Ku Hsiang, Taipei Hsine, Taiwan Tel : +886-2-2299-2499
Korea	HAN NEUNG TECHNO CO.,LTD. 1F Dong Seo Game Channel Bldg.,660-11, Deungchon-dong Kangseo-ku, Seoul, Korea Tel : +82-2-3660-9552
Singapore	Mitsubishi Electric Asia Pte. Ltd. 307 Alexandra Road #05-01/02, Mitsubishi Electric Building Singapore 159943 Tel : +65-6473-2308
Thailand	F. A. Tech Co.,Ltd. 888/28,29,30 S.V.City Building,Office Tower 2, Floor 17-18 Rama 3 Road, Bangkokpang, Yannawa, Bangkok 10120 Tel : +66-2-662-8522
Indonesia	P.T. Autoteknindo SUMBER MAKMUR Jl. Muara Karang Selatan Block a Utara No.1 Kav. No.11 Kawasan Industri/Pergudangan Jakarta - Utara 14440 Tel : +62-21-663-0833
India	Messung Systems Pvt.Ltd. Electronic Sadan NO:111 Unit No15, M.I.D.C BHOSARI, PUNE-411026, India Tel : +91-20-712-2807
Australia	Mitsubishi Electric Australia Pty. Ltd. 348 Victoria Road, PostalBag, No 2, Rydalmere, N.S.W 2116, Australia Tel : +61-2-9684-7777

MITSUBISHI ELECTRIC CORPORATION

HEAD OFFICE: TOKYO BUILDING, 2-7-3 MARUNOUCHI, CHYODA-KU, TOKYO 100-8310, JAPAN
NAGOYA WORKS: 1-14, YADA-MINAMI 5-CHOME, HIGASHI-KU, NAGOYA, JAPAN

When exported from Japan, this manual does not require application to the Ministry of Economy, Trade and Industry for service transaction permission.

Specifications subject to change without notice.
Printed in Japan on recycled paper.