



GT14 PROTECTIVE SHEET

User's Manual

Manual Number	JY997D44501C
Date	April 2015

This manual describes the part names, external dimensions, mounting of the product. Before use, read this manual and manuals of relevant products fully to acquire proficiency in handling and operating the product. Make sure to learn all the product information, safety information, and precautions. And, store this manual in a safe place so that you can take it out and read it whenever necessary. Always forward it to the end user.

Registration
The company name and the product name to be described in this manual are the registered trademarks or trademarks of each company.

Effective April 2015
Specifications are subject to change without notice.
© 2011 MITSUBISHI ELECTRIC CORPORATION

Safety Precaution (Read these precautions before using.)

Before using this product, please read this manual and the relevant manuals introduced in this manual carefully and pay full attention to safety to handle the product correctly.

The precautions given in this manual are concerned with this product.

In this manual, the safety precautions are ranked as **WARNING** and **CAUTION**.

WARNING	Indicates that incorrect handling may cause hazardous conditions, resulting in death or severe injury.
CAUTION	Indicates that incorrect handling may cause hazardous conditions, resulting in medium or slight personal injury or physical damage.

Depending on circumstances, procedures indicated by **CAUTION** may also be linked to serious results. In any case, it is important to follow the directions for usage.

MOUNTING PRECAUTIONS **CAUTION**

- When attaching the protective sheet, make sure to fit it on the display section closely without leaving any clearance between them. Failure to do so may cause a malfunction.

STARTUP/MAINTENANCE PRECAUTIONS **CAUTION**

- Check the status of the protection sheet visually by the daily inspection. When there is too much dirt and cracks, proceeds replacement promptly. Using the productive sheet of decreased visibility may cause a malfunction.

DISPOSAL PRECAUTIONS **CAUTION**

- When disposing of the product, handle it as industrial waste.

Related Manuals

When using the GT14 protective sheet, prepare the following manual as well. As GT14 User's Manual is sold separately, inquire at our local distributor for it.

Manual name	Manual Number (Model Code)	Contents
○GT14 User's Manual	JY997D44801 (09R823)	Describes the GT14 hardware-relevant content such as part names, external dimensions, mounting, wiring, specifications, and introduction to option devices.

○: Indispensable manual

For the manuals relevant to GOT1000, refer to the PDF manuals stored in the screen creation software used. For details about a PLC to be connected, refer to the manuals of PLCs respectively.

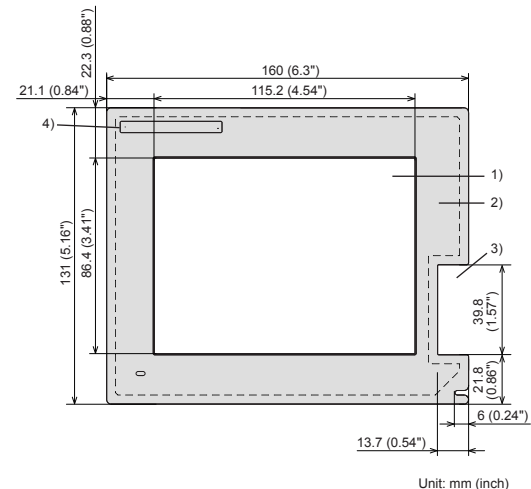
1. Overview

The GT14 protective sheet (hereinafter called the protective sheet) protects the GOT display surface from blemishes or stains while touch keys are operated. Select the clear sheet (display section) if luminance is more important, and select the antiglare sheet (display section) if antireflection is more important.

The following protective sheets are available:

Model name	Contents
GT14-50PSCB	Display section clear (Frame: Transparent), 5 sheets
GT14-50PSGB	Display section antiglare (Frame: Transparent), 5 sheets
GT14-50PSCW	Display section clear (Frame: White), With a logo, 5 sheets
GT14-50PSGW	Display section antiglare (Frame: White), With a logo, 5 sheets

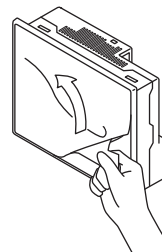
2. Part Names and External Dimensions



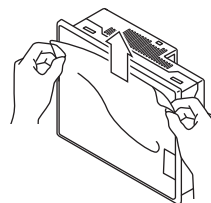
Unit: mm (inch)

Number	Name	Contents
1)	Display section	For protecting the display section (clear or antiglare)
2)	Frame	For protecting the frame (transparent or white)
3)	Hole for mounting USB environmental protection cover	For mounting USB environmental protection cover
4)	Logos	Only on GT14-50PSCW or GT14-50PSGW (detachable)

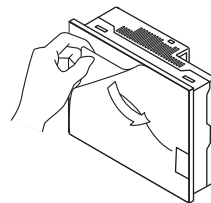
3. Installation Procedure



1) If a protective sheet is on the GOT, peel off the protective sheet from the bottom-right corner of the GOT display section, and clean the GOT surface.



2) Peel the release paper from the back of the new protective sheet, and attach its adhesive side to the GOT display section. When attaching the protective sheet, make sure to fit it on the display section closely without leaving any clearance between them.



3) Peel off the protective film on the protective sheet.

4. Operating atmosphere

Must be free of lamp black, corrosive gas, flammable gas, or excessive amount of electroconductive dust particles and must be no direct sunlight. (Same as for saving) General specifications other than the above are same as those of the GOT main unit. Refer to the following.

→ GT14 User's Manual

This manual confers no industrial property rights or any rights of any other kind, nor does it confer any patent licenses. Mitsubishi Electric Corporation cannot be held responsible for any problems involving industrial property rights which may occur as a result of using the contents noted in this manual.

Warranty
Mitsubishi will not be held liable for damage caused by factors found not to be the cause of Mitsubishi; opportunity loss or lost profits caused by faults in the Mitsubishi products; damage, secondary damage, accident compensation caused by special factors unpredictable by Mitsubishi; damages to products other than Mitsubishi products; and to other duties.

For safe use

- This product has been manufactured as a general-purpose part for general industries, and has not been designed or manufactured to be incorporated in a device or system used in purposes related to human life.
- Before using the product for special purposes such as nuclear power, electric power, aerospace, medicine or passenger movement vehicles, consult with Mitsubishi Electric.
- This product has been manufactured under strict quality control. However when installing the product where major accidents or losses could occur if the product fails, install appropriate backup or failsafe functions in the system.