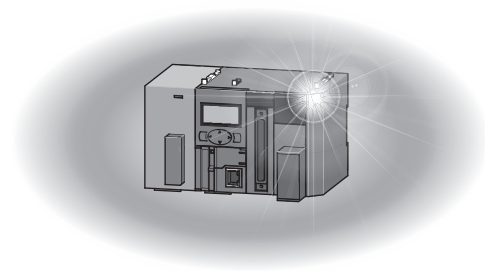


Programmable Controller

MELSEC *L* series

MELSEC-L CPU Module User's Manual (Hardware Design, Maintenance and Inspection)

-L02SCPU
-L02SCPU-P
-L02CPU
-L02CPU-P
-L06CPU
-L06CPU-P
-L26CPU
-L26CPU-P
-L26CPU-BT
-L26CPU-PBT



● SAFETY PRECAUTIONS ●

(Read these precautions before using this product.)

Before using this product, please read this manual and the relevant manuals carefully and pay full attention to safety to handle the product correctly.

In this manual, the safety precautions are classified into two levels: "⚠️ WARNING" and "⚠️ CAUTION".



Indicates that incorrect handling may cause hazardous conditions, resulting in death or severe injury.



Indicates that incorrect handling may cause hazardous conditions, resulting in minor or moderate injury or property damage.

Under some circumstances, failure to observe the precautions given under "⚠️ CAUTION" may lead to serious consequences.

Observe the precautions of both levels because they are important for personal and system safety.

Make sure that the end users read this manual and then keep the manual in a safe place for future reference.

[Design Precautions]

WARNING

- Configure safety circuits external to the programmable controller to ensure that the entire system operates safely even when a fault occurs in the external power supply or the programmable controller. Failure to do so may result in an accident due to an incorrect output or malfunction.
 - (1) Emergency stop circuits, protection circuits, and protective interlock circuits for conflicting operations (such as forward/reverse rotations or upper/lower limit positioning) must be configured external to the programmable controller.
 - (2) Machine OPR (Original Point Return) of the positioning function is controlled by two kinds of data: an OPR direction and an OPR speed. Deceleration starts when the near-point dog signal turns on. If an incorrect OPR direction is set, motion control may continue without deceleration. To prevent machine damage caused by this, configure an interlock circuit external to the programmable controller.
 - (3) When the CPU module detects an error during control by the positioning function, the motion slows down and stops.
 - (4) When the programmable controller detects an abnormal condition, it stops the operation and all outputs are:
 - Turned off if the overcurrent or overvoltage protection of the power supply module is activated.
 - Held or turned off according to the parameter setting if the self-diagnostic function of the CPU module detects an error such as a watchdog timer error.
 - (5) All outputs may be turned on if an error occurs in a part, such as an I/O control part, where the CPU module cannot detect any error. To ensure safety operation in such a case, provide a safety mechanism or a fail-safe circuit external to the programmable controller. For a fail-safe circuit example, refer to Page 471, Appendix 10.
 - (6) Outputs may remain on or off due to a failure of a component such as a transistor in an output circuit. Configure an external circuit for monitoring output signals that could cause a serious accident.
- In an output circuit, when a load current exceeding the rated current or an overcurrent caused by a load short-circuit flows for a long time, it may cause smoke and fire. To prevent this, configure an external safety circuit, such as a fuse.
- Configure a circuit so that the programmable controller is turned on first and then the external power supply. If the external power supply is turned on first, an accident may occur due to an incorrect output or malfunction.
- Configure a circuit so that the external power supply is turned off first and then the programmable controller. If the programmable controller is turned off first, an accident may occur due to an incorrect output or malfunction.
- For the operating status of each station after a communication failure, refer to relevant manuals for each network. Incorrect output or malfunction due to a communication failure may result in an accident.

[Design Precautions]

CAUTION

- When changing data from a peripheral connected to the CPU module to the running programmable controller, configure an interlock circuit in the program to ensure that the entire system will always operate safely. For other forms of control (such as program modification or operating status change) of a running programmable controller, read the relevant manuals carefully and ensure that the operation is safe before proceeding. Especially, when a remote programmable controller is controlled by an external device, immediate action cannot be taken if a problem occurs in the programmable controller due to a communication failure. To prevent this, configure an interlock circuit in the program, and determine corrective actions to be taken between the external device and CPU module in case of a communication failure.
- An absolute position restoration by the positioning function may turn off the servo-on signal (servo off) for approximately 20ms, and the motor may run unexpectedly. If this causes a problem, provide an electromagnetic brake to lock the motor during absolute position restoration.
- Do not install the control lines or communication cables together with the main circuit lines or power cables. Keep a distance of 100mm or more between them. Failure to do so may result in malfunction due to noise.
- During control of an inductive load such as a lamp, heater, or solenoid valve, a large current (approximately ten times greater than normal) may flow when the output is turned from off to on. Therefore, use a module that has a sufficient current rating.
- After the CPU module is powered on or is reset, the time taken to enter the RUN status varies depending on the system configuration, parameter settings, and/or program size. Design circuits so that the entire system will always operate safely, regardless of the time.

[Security Precautions]

WARNING

- To maintain the security (confidentiality, integrity, and availability) of the programmable controller and the system against unauthorized access, denial-of-service (DoS) attacks, computer viruses, and other cyberattacks from external devices via the network, take appropriate measures such as firewalls, virtual private networks (VPNs), and antivirus solutions.

[Installation Precautions]

WARNING

- Shut off the external power supply (all phases) used in the system before mounting or removing a module. Failure to do so may result in electric shock or cause the module to fail or malfunction.

[Installation Precautions]

CAUTION

- Use the programmable controller in an environment that meets the general specifications in this manual. Failure to do so may result in electric shock, fire, malfunction, or damage to or deterioration of the product.
- To interconnect modules, engage the respective connectors and securely lock the module joint levers until they click. Incorrect interconnection may cause malfunction, failure, or drop of the module.
- Do not directly touch any conductive parts and electronic components of the module. Doing so can cause malfunction or failure of the module.
- Securely connect an extension cable to the connectors of a branch module and an extension module. After connections, check that the cable is inserted completely. Poor contact may cause malfunction.
- When using an SD memory card, fully insert it into the SD memory card slot. Check that it is inserted completely. Poor contact may cause malfunction.
- Do not directly touch any conductive parts and electronic components of the module or SD memory card. Doing so can cause malfunction or failure of the module.

[Wiring Precautions]

WARNING

- Shut off the external power supply (all phases) used in the system before wiring. Failure to do so may result in electric shock or cause the module to fail or malfunction.
- After installation and wiring, attach the included terminal cover to the module before turning it on for operation. Failure to do so may result in electric shock.

[Wiring Precautions]

CAUTION

- Individually ground the FG and LG terminals of the programmable controller with a ground resistance of 100 ohms or less. Failure to do so may result in electric shock or malfunction.
- Use applicable solderless terminals and tighten them within the specified torque range. If any spade solderless terminal is used, it may be disconnected when a terminal block screw comes loose, resulting in failure.
- Check the rated voltage and terminal layout before wiring to the module, and connect the cables correctly. Connecting a power supply with a different voltage rating or incorrect wiring may cause a fire or failure.
- Connectors for external devices must be crimped or pressed with the tool specified by the manufacturer, or must be correctly soldered. Incomplete connections may cause short circuit, fire, or malfunction.
- Securely connect the connector to the module.
- Do not install the control lines or communication cables together with the main circuit lines or power cables. Keep a distance of 100mm or more between them. Failure to do so may result in malfunction due to noise.
- Place the cables in a duct or clamp them. If not, dangling cable may swing or inadvertently be pulled, resulting in damage to the module or cables or malfunction due to poor contact.
- Check the interface type and correctly connect the cable. Incorrect wiring (connecting the cable to an incorrect interface) may cause failure of the module and external device.
- Tighten the terminal block screws within the specified torque range. Undertightening can cause short circuit, fire, or malfunction. Overtightening can damage the screw and/or module, resulting in drop, short circuit, fire, or malfunction.
- When disconnecting the cable from the module, do not pull the cable by the cable part. For the cable with connector, hold the connector part of the cable. For the cable connected to the terminal block, loosen the terminal screw. Pulling the cable connected to the module may result in malfunction or damage to the module or cable.
- Prevent foreign matter such as dust or wire chips from entering the module. Such foreign matter can cause a fire, failure, or malfunction.
- When a protective film is attached to the top of the module, remove it before operation. If not, inadequate heat dissipation of the module may cause a fire, failure, or malfunction.
- To use the high-speed counter function, ground the shield cable on the encoder side (relay box). Always ground the FG and LG terminals to the protective ground conductor. Failure to do so may cause malfunction.
- Mitsubishi programmable controllers must be installed in control panels. Connect the main power supply to the power supply module in the control panel through a relay terminal block.
Wiring and replacement of a power supply module must be performed by qualified maintenance personnel with knowledge of protection against electric shock.
For wiring methods, refer to Page 30, CHAPTER 4.

[Startup and Maintenance Precautions]

WARNING

- Do not touch any terminal while power is on. Doing so will cause electric shock or malfunction.
- Correctly connect the battery connector. Do not charge, disassemble, heat, short-circuit, solder, or throw the battery into the fire. Also, do not expose it to liquid or strong shock.
Doing so will cause the battery to produce heat, explode, ignite, or leak, resulting in injury and fire.
- Shut off the external power supply (all phases) used in the system before cleaning the module or retightening the terminal block screws or connector screws. Failure to do so may result in electric shock.

[Startup and Maintenance Precautions]

CAUTION

- Before performing online operations (especially, program modification, forced output, and operating status change) for the running CPU module from the peripheral connected, read relevant manuals carefully and ensure the safety. Improper operation may damage machines or cause accidents.
- Do not disassemble or modify the module. Doing so may cause failure, malfunction, injury, or a fire.
- Use any radio communication device such as a cellular phone or PHS (Personal Handy-phone System) more than 25cm away in all directions from the programmable controller. Failure to do so may cause malfunction.
- Shut off the external power supply (all phases) used in the system before mounting or removing a module. Failure to do so may cause the module to fail or malfunction.
- Tighten the terminal block screws or connector screws within the specified torque range.
Undertightening can cause drop of the component or wire, short circuit, or malfunction. Overtightening can damage the screw and/or module, resulting in drop, short circuit, or malfunction.
- After the first use of the product (module, display unit, and terminal block), do not connect/disconnect the product more than 50 times (IEC 61131-2/JIS B 3502 compliant). Exceeding the limit may cause malfunction.
- After the first use of the SD memory card, do not insert/remove the memory card more than 500 times.
Exceeding the limit may cause malfunction.
- Do not drop or apply shock to the battery to be installed in the module. Doing so may damage the battery, causing the battery fluid to leak inside the battery. If the battery is dropped or any shock is applied to it, dispose of it without using.
- Before handling the module, touch a conducting object such as a grounded metal to discharge the static electricity from the human body. Failure to do so may cause the module to fail or malfunction.
- Before testing the operation by the positioning function, set a low speed value for the speed limit parameter so that the operation can be stopped immediately upon occurrence of a hazardous condition.

[Computer Connection Precautions]

CAUTION

- When connecting a personal computer to a CPU module having an RS-232 or a USB interface, observe the following precautions as well as the instructions described in the manual for the personal computer used. Failure to do so may cause the CPU module to fail.
 - (1) When the personal computer is AC-powered
 - When the personal computer has a 3-pin AC plug or an AC plug with a grounding wire, connect the plug to a grounding receptacle or ground the grounding wire. Ground the personal computer and the CPU module with a ground resistance of 100 ohms or less.
 - When the personal computer has a 2-pin AC plug without a ground wire, connect the computer to the CPU module by following the procedure below. For power supplied to the personal computer and the CPU module, using the same power source is recommended.
 1. Unplug the personal computer from the AC receptacle.
 2. Check that the personal computer is unplugged. Then, connect the personal computer to the CPU module with an RS-232 or a USB cable.
 3. Plug the personal computer into the AC receptacle.
 - (2) When the personal computer is battery-powered
 - The personal computer can be connected to the CPU module without taking specific measures. For details, refer to the following.
 - Cautions When Using Mitsubishi Programmable Controllers or GOTs Connected to a Personal Computer With the RS-232/USB Interface (FA-A-0298)
 - When the USB cable used is the GT09-C30USB-5P manufactured by Mitsubishi Electric, specific measures are not required to connect the AC-powered personal computer to the CPU module. However, note that the signal ground (SG) is common for the CPU module and its RS-232 or USB interface. Therefore, if an SG potential difference occurs between the CPU module and the connected devices, it causes failures of the CPU module and the connected devices.

[Disposal Precautions]

CAUTION

- When disposing of this product, treat it as industrial waste. When disposing of batteries, separate them from other wastes according to the local regulations. For details on battery regulations in EU member states, refer to Page 478, Appendix 13.

[Transportation Precautions]

CAUTION

- When transporting lithium batteries, follow the transportation regulations. For details on the regulated models, refer to Page 477, Appendix 12.

● CONDITIONS OF USE FOR THE PRODUCT ●

- (1) MELSEC programmable controller ("the PRODUCT") shall be used in conditions;
- i) where any problem, fault or failure occurring in the PRODUCT, if any, shall not lead to any major or serious accident; and
 - ii) where the backup and fail-safe function are systematically or automatically provided outside of the PRODUCT for the case of any problem, fault or failure occurring in the PRODUCT.
- (2) The PRODUCT has been designed and manufactured for the purpose of being used in general industries. MITSUBISHI ELECTRIC SHALL HAVE NO RESPONSIBILITY OR LIABILITY (INCLUDING, BUT NOT LIMITED TO ANY AND ALL RESPONSIBILITY OR LIABILITY BASED ON CONTRACT, WARRANTY, TORT, PRODUCT LIABILITY) FOR ANY INJURY OR DEATH TO PERSONS OR LOSS OR DAMAGE TO PROPERTY CAUSED BY the PRODUCT THAT ARE OPERATED OR USED IN APPLICATION NOT INTENDED OR EXCLUDED BY INSTRUCTIONS, PRECAUTIONS, OR WARNING CONTAINED IN MITSUBISHI ELECTRIC USER'S, INSTRUCTION AND/OR SAFETY MANUALS, TECHNICAL BULLETINS AND GUIDELINES FOR the PRODUCT.
- ("Prohibited Application")
- Prohibited Applications include, but not limited to, the use of the PRODUCT in;
- Nuclear Power Plants and any other power plants operated by Power companies, and/or any other cases in which the public could be affected if any problem or fault occurs in the PRODUCT.
 - Railway companies or Public service purposes, and/or any other cases in which establishment of a special quality assurance system is required by the Purchaser or End User.
 - Aircraft or Aerospace, Medical applications, Train equipment, transport equipment such as Elevator and Escalator, Incineration and Fuel devices, Vehicles, Manned transportation, Equipment for Recreation and Amusement, and Safety devices, handling of Nuclear or Hazardous Materials or Chemicals, Mining and Drilling, and/or other applications where there is a significant risk of injury to the public or property.
- Notwithstanding the above restrictions, Mitsubishi Electric may in its sole discretion, authorize use of the PRODUCT in one or more of the Prohibited Applications, provided that the usage of the PRODUCT is limited only for the specific applications agreed to by Mitsubishi Electric and provided further that no special quality assurance or fail-safe, redundant or other safety features which exceed the general specifications of the PRODUCTS are required. For details, please contact the Mitsubishi Electric representative in your region.
- (3) Mitsubishi Electric shall have no responsibility or liability for any problems involving programmable controller trouble and system trouble caused by DoS attacks, unauthorized access, computer viruses, and other cyberattacks.

INTRODUCTION

Thank you for purchasing the Mitsubishi Electric MELSEC-L series programmable controllers. This manual describes the specifications of the hardware, such as CPU modules and power supply modules, maintenance and inspection of the system, and troubleshooting.

Before using this product, please read this manual and the relevant manuals carefully and develop familiarity with the functions and performance of the MELSEC-L series programmable controller to handle the product correctly. When applying the program examples introduced in this manual to an actual system, ensure the applicability and confirm that it will not cause system control problems.

■ Relevant CPU modules

CPU module	Model
LCPU	L02SCPU, L02SCPU-P, L02CPU, L02CPU-P, L06CPU, L06CPU-P, L26CPU, L26CPU-P, L26CPU-BT, L26CPU-PBT

Remark

This manual does not describe the details of the instructions. For the instructions, refer to the following.
📖 MELSEC-Q/L Programming Manual (Common Instruction)

RELEVANT MANUALS

(1) CPU module user's manual

Manual name <manual number (model code)>	Description
MELSEC-L CPU Module User's Manual (Function Explanation, Program Fundamentals) <SH-080889ENG, 13JZ35>	Functions and devices of the CPU module, and programming
MELSEC-L CPU Module User's Manual (Built-In Ethernet Function) <SH-080891ENG, 13JZ37>	The built-in Ethernet function of the CPU module
MELSEC-L CPU Module User's Manual (Built-In I/O Function) <SH-080892ENG, 13JZ38>	The general-purpose I/O function, interrupt input function, pulse catch function, positioning function, and high-speed counter function of the CPU module
QnUDVCPULCPU User's Manual (Data Logging Function) <SH-080893ENG, 13JZ39>	The data logging function of the CPU module

(2) Programming manual

Manual name <manual number (model code)>	Description
MELSEC-Q/L Programming Manual (Common Instruction) <SH-080809ENG, 13JW10>	Detailed description and usage of instructions used in programs
MELSEC-Q/L/QnA Programming Manual (SFC) <SH-080041, 13JF60>	System configuration, specifications, functions, programming, and error codes for SFC (MELSAP3) programs
MELSEC-Q/L Programming Manual (MELSAP-L) <SH-080076, 13JF61>	System configuration, specifications, functions, programming, and error codes for SFC (MELSAP-L) programs
MELSEC-Q/L Programming Manual (Structured Text) <SH-080366E, 13JF68>	System configuration and programming using structured text language
MELSEC-Q/L/QnA Programming Manual (PID Control Instructions) <SH-080040, 13JF59>	Dedicated instructions for PID control

(3) Operating manual

Manual name <manual number (model code)>	Description
GX Works2 Version 1 Operating Manual (Common) <SH-080779ENG, 13JU63>	System configuration, parameter settings, and online operations of GX Works2, which are common to Simple projects and Structured projects
GX Developer Version 8 Operating Manual <SH-080373E, 13JU41>	Operating methods of GX Developer, such as programming, printing, monitoring, and debugging

(4) I/O module and intelligent function module manual

Manual name <manual number (model code)>	Description
MELSEC-L I/O Module User's Manual <SH-080888ENG, 13JZ34>	Specifications and troubleshooting of the I/O module
MELSEC-L Ethernet Interface Module User's Manual (Basic) <SH-081105ENG, 13JZ73>	Specifications, procedures for data communication with external devices, line connection (open/close), fixed buffer communication, random access buffer communication, and troubleshooting of the Ethernet module
MELSEC-L Serial Communication Module User's Manual (Basic) <SH-080894ENG, 13JZ40>	System configuration, specifications, procedures before operation, data communication methods (basic), and troubleshooting of the serial communication module
MELSEC-Q/L Serial Communication Module User's Manual (Application) <SH-080007, 13JL87>	Special functions (specifications, usage, and settings) and data communication methods (application) of the serial communication module
MELSEC Communication Protocol Reference Manual <SH-080008, 13JF89>	Details of MELSEC communication protocol (MC protocol) that is used for data communication between a target device and a CPU module
MELSEC-L CC-Link System Master/Local Module User's Manual <SH-080895ENG, 13JZ41>	Settings, specifications, handling, data communication methods, and troubleshooting of the built-in CC-Link function of the CPU module or the CC-Link system master/local module
MELSEC-L CC-Link/LT Master Module User's Manual <SH-081012ENG, 13JZ65>	Settings, specifications, handling, data communication methods, and troubleshooting of the CC-Link/LT master module
MELSEC-L CC-Link IE Field Network Master/Local Module User's Manual <SH-080972ENG, 13JZ54>	Overview of CC-Link IE Field Network, and specifications, procedures before operation, system configuration, installation, wiring, settings, functions, programming, and troubleshooting of the MELSEC-L series CC-Link IE Field Network master/local module
MELSEC-L Analog-Digital Converter Module User's Manual <SH-080899ENG, 13JZ42>	System configuration, specifications, settings, and troubleshooting of the analog-digital converter module
MELSEC-L Dual Channel Isolated High Resolution Analog-Digital Converter Module User's Manual <SH-081103ENG, 13JZ72>	System configuration, specifications, settings, and troubleshooting of the dual channel isolated high resolution analog-digital converter module
MELSEC-L Digital-Analog Converter Module User's Manual <SH-080900ENG, 13JZ43>	System configuration, specifications, settings, and troubleshooting of the digital-analog converter module
MELSEC-L Analog Input/Output Module User's Manual <SH-081167ENG, 13JZ87>	System configuration, specifications, settings, and troubleshooting of the analog input/output module
MELSEC-L LD75P/LD75D Positioning Module User's Manual <SH-080911ENG, 13JZ46>	System configuration, specifications, settings, and troubleshooting of the positioning module
MELSEC-L High-Speed Counter Module User's Manual <SH-080920ENG, 13JZ49>	System configuration, specifications, settings, and troubleshooting of the high-speed counter module
MELSEC-L Temperature Control Module User's Manual <SH-081000ENG, 13JZ64>	System configuration, specifications, settings, and troubleshooting of the temperature control module
MELSEC-L Multiple Input (Voltage/Current/Temperature) Module User's Manual <SH-081365ENG, 13JZ76>	System configuration, specifications, settings, and troubleshooting of the multiple input module

(5) Others

Manual name <manual number (model code)>	Description
iQ Sensor Solution Reference Manual <SH-081133ENG (13JV28)>	Operating methods of iQ Sensor Solution, such as programming and monitoring
CC-Link IE Field Network Basic Reference Manual <SH-081684ENG, 13JX62>	Specifications, procedures before operation, system configuration, communication examples, functions, parameter settings, and troubleshooting of CC-Link IE Field Network Basic

CONTENTS

SAFETY PRECAUTIONS	1
CONDITIONS OF USE FOR THE PRODUCT	8
INTRODUCTION	9
RELEVANT MANUALS	10
MANUAL PAGE ORGANIZATION	16
TERMS	17
GENERIC TERMS AND ABBREVIATIONS	17
PACKING LIST	18
<hr/>	
CHAPTER 1 FEATURES	20
<hr/>	
CHAPTER 2 SYSTEM CONFIGURATION	22
<hr/>	
2.1 Overall System Configuration	22
2.2 Precautions for Configuring a System	23
2.3 Peripheral Configuration	27
<hr/>	
CHAPTER 3 SYSTEM START-UP PROCEDURE	28
<hr/>	
CHAPTER 4 INSTALLATION AND WIRING	30
<hr/>	
4.1 Installation Environment and Installation Position	30
4.1.1 Installation environment	30
4.1.2 Installation position	30
4.2 Mounting the Modules	31
4.2.1 Precautions for connecting and mounting modules	31
4.2.2 Connecting modules	32
4.2.3 Mounting the modules on a DIN rail	34
4.2.4 Changing modules on a DIN rail	37
4.2.5 Attaching and removing a display unit	39
4.2.6 Mounting and removing a terminal block	40
4.2.7 Inserting and removing an SD memory card	42
4.3 Wiring	44
4.3.1 Wiring to power supply modules	45
4.3.2 Wiring to an 18-point screw terminal block	48
4.3.3 Wiring to a spring clamp terminal block	49
4.3.4 Wiring to connectors	50
4.3.5 Connecting extension cables	55
4.3.6 Wiring of RS-232 cable	56
4.3.7 Wiring of RS-422/485 cable	57
4.3.8 Grounding	61
<hr/>	
CHAPTER 5 GENERAL SPECIFICATIONS	62
<hr/>	
CHAPTER 6 CPU MODULE	64
<hr/>	
6.1 Part Names	64
6.2 Specifications	70

6.3	Hardware Operation	74
6.3.1	Switch operation after a program is written to the CPU module	74
6.3.2	Reset operation	76
<hr/> CHAPTER 7 POWER SUPPLY MODULE		77
7.1	Part Names	77
7.2	Specifications	78
7.2.1	Specification list	78
7.2.2	Details on items in specifications	79
7.2.3	Precautions for power capacity	79
<hr/> CHAPTER 8 END COVER		80
8.1	Part Names	80
8.2	Specifications	81
<hr/> CHAPTER 9 BRANCH MODULE AND EXTENSION MODULE		83
9.1	Part Names	83
9.2	Specifications	84
<hr/> CHAPTER 10 RS-232 ADAPTER		85
10.1	Part Names	85
10.2	Specifications	86
10.3	Connecting a RS-232 Cable at All Times	86
<hr/> CHAPTER 11 RS-422/485 ADAPTER		87
11.1	Part Names	87
11.2	Specifications	89
<hr/> CHAPTER 12 SPACE MODULE		91
12.1	Application	91
12.2	Part Names	92
12.3	Specifications	92
12.4	Restrictions on the Number of Connectable Modules	93
12.4.1	Number of connectable modules for the main block	93
12.4.2	Number of connectable modules for the extension block	95
<hr/> CHAPTER 13 DISPLAY UNIT		96
13.1	Part Names	96
13.2	Specifications	97

CHAPTER 14 SD MEMORY CARD	98
14.1 Part Names	98
14.2 Specifications	98
14.3 Handling precautions	99
14.4 Forced Disablement of SD Memory Card	100
CHAPTER 15 BATTERY	102
15.1 Specifications	102
15.1.1 Application	102
CHAPTER 16 MAINTENANCE AND INSPECTION	104
16.1 Daily Inspection	104
16.2 Periodic Inspection	106
16.3 Battery Replacement Procedure	107
16.4 Operation Restart After Being Stored	110
CHAPTER 17 TROUBLESHOOTING	111
17.1 Checking the System Visually	111
17.1.1 When the POWER LED does not turn on	112
17.1.2 When the MODE LED does not turn on	112
17.1.3 When the RUN LED does not turn on	113
17.2 Checking the Error Details	114
17.3 Checking for Functional Errors	118
17.3.1 Write to PLC and Read from PLC	120
17.3.2 Boot operation	120
17.3.3 Ethernet communication	121
17.3.4 Communication through RS-232 and RS-422/485	125
17.3.5 Predefined protocol function	128
17.3.6 Socket communication function	129
17.3.7 Simple PLC communication function	130
17.3.8 Serial communication function	132
17.3.9 General-purpose I/O function	133
17.3.10 Interrupt input function	133
17.3.11 Pulse catch function	134
17.3.12 Positioning function	134
17.3.13 High-speed counter function	135
17.3.14 Display unit	141
17.3.15 Transmission from an external device	141
17.3.16 Operating status of the CPU module	142
17.3.17 END cover with ERR terminal	142
17.3.18 Extension system	142
17.3.19 Space module	143
17.4 Troubleshooting for the Built-In I/O Function	144
17.4.1 Troubleshooting for input circuit	144

17.4.2 Troubleshooting for output circuit.	146
17.5 Saving Data	148

APPENDICES	152
-------------------	------------

Appendix 1 Error Codes.	152
Appendix 1.1 Error codes	153
Appendix 1.2 Reading error codes	153
Appendix 1.3 List of error codes (1000 to 1999)	154
Appendix 1.4 List of error codes (2000 to 2999)	174
Appendix 1.5 List of error codes (3000 to 3999)	203
Appendix 1.6 List of error codes (4000 to 4999)	223
Appendix 1.7 List of error codes (5000 to 5999)	239
Appendix 1.8 List of error codes (6000 to 6999)	241
Appendix 1.9 List of error codes (7000 to 10000)	250
Appendix 1.10 Clearing an error	258
Appendix 1.11 Error codes returned to request source during communication with CPU module	259
Appendix 2 List of Special Relay Areas	304
Appendix 3 List of Special Register Areas	353
Appendix 4 Battery Life	446
Appendix 4.1 Battery life list.	447
Appendix 5 Checking Serial Number and Function Version	450
Appendix 6 Added and Changed Functions.	452
Appendix 7 Applicable Software Versions	455
Appendix 8 Specifications of L1MEM-2GBSD and L1MEM-4GBSD	456
Appendix 9 EMC and Low Voltage Directives	457
Appendix 9.1 Measures to comply with the EMC Directive	457
Appendix 9.2 Measures to comply with the Low Voltage Directive	469
Appendix 10 General Safety Requirements.	471
Appendix 11 Calculating Heating Value of Programmable Controller	475
Appendix 11.1 Calculating the average power consumption.	475
Appendix 12 Precautions for Battery Transportation	477
Appendix 13 Handling of Batteries and Devices with Built-In Batteries in EU Member States	478
Appendix 14 External Dimensions	479
Appendix 14.1 CPU module.	479
Appendix 14.2 Power supply module.	481
Appendix 14.3 Display unit	482
Appendix 14.4 Branch module and extension module.	483
Appendix 14.5 Other optional items.	484

INDEX	489
--------------	------------

REVISIONS	491
WARRANTY	493
TRADEMARKS	494

MANUAL PAGE ORGANIZATION

In this manual, pages are organized and the symbols are used as shown below.

The following illustration is for explanation purpose only, and should not be referred to as an actual documentation.

Annotations for the manual page screenshot:

- "" is used for screen names and items.
- 1. shows operating procedures.
- ☞ shows mouse operations.*1
- [] is used for items in the menu bar and the project window.
- Ex. shows setting or operating examples.
- 📖 shows reference manuals.
- 📄 shows reference pages.
- Point shows notes that requires attention.
- Remark shows useful information.

Page content details:

CHAPTER 7. VARIOUS SETTINGS

7.1.1 Setting method

(1) Setting parameters

(a) Operating procedure

1. Open the "PLC Parameter" dialog box.
Project window ⇨ [Parameter] ⇨ [PLC parameter]
2. Select the "I/O Assignment" tab.

Item	Description	Reference
Type	Select the type of the connected module.	Page 74, Section 7.1.2
Model Name	Select the model name of the connected module.	Page 74, Section 7.1.3
Points	Set the number of points assigned to each slot.	Page 74, Section 7.1.4
Start XY	Specify a start I/O number for each slot.	Page 74, Section 7.1.5
Switch Setting	Configure the switch setting of the built-in I/O or intelligent function modules.	Page 74, Section 7.1.6
Device Control	Set the following: - Error Time Output Mode - PLC Operation Mode at HW Error - I/O Response Time	Page 75, Section 7.1.7

Setting "Start XY" enables modification on the start I/O numbers assigned to connected modules.
Ex. When "1000" is specified in "Start XY" to the slot where a 16-point module is connected, the assignment range of an input module is changed to X1000 to X100F.
For details, refer to the following.
📖 MELSEC-L CPU Module User's Manual (Function Explanation, Program Fundamentals)

Point
Set the type of the connected module in "Type". Setting a different type results in "SP.LIMIT LAV ERR!".
For the intelligent function module, the I/O points must also be the same in addition to the I/O assignment setting.
📄 Page 30, Section 4.2.2

Remark
When an intelligent module is connected, I/O assignment can be omitted by selecting connected modules from "Intelligent Function Module" in the Project window.

*1 The mouse operation example (for GX Works2) is provided below.

Annotations for the GX Works2 screenshot:

- Menu bar: [Online] ⇨ [Write to PLC...]
Select [Online] on the menu bar, and then select [Write to PLC...].
- A window selected in the view selection area is displayed.
Ex. Project window ⇨ [Parameter] ⇨ [PLC Parameter]
Select [Project] from the view selection area to open the Project window. In the Project window, expand [Parameter] and select [PLC Parameter].
- View selection area

TERMS

Unless otherwise specified, this manual uses the following terms.

Term	Description
Battery	A battery to be installed in the CPU module and used for backing up data such as the standard RAM data and latch device data in case of power failure. The Q6BAT, Q7BATN, and Q7BAT are available.
Block	A set of interconnected modules including an END cover
Display unit	A liquid crystal display to be attached to the CPU module
Drive unit (servo amplifier)	A unit used to amplify the power and control the motor in the operation by the positioning function since the signals, such as pulses, that are output from the CPU module are low voltage and small current. The unit, also called a servo amplifier, is provided with a servomotor and step motor.
END cover	A cover to be attached to the right side of the rightmost MELSEC-L series module
Extension block	A block where an extension module is connected in an extension system
External device	A GOT, measuring instrument, ID module, bar code reader, adjuster, and other CPU modules connected with a CPU module for the data communication
GX Developer	The product name of the software package for the MELSEC programmable controllers
GX Works2	
Intelligent function module	A MELSEC-L series module that has functions other than input and output, such as an A/D converter module and D/A converter module
Main block	A block where a CPU module is connected in an extension system
MC protocol	The abbreviation for the MELSEC communication protocol, a protocol to access a CPU module from a target device in the Ethernet or serial communication
SD memory card	Secure Digital Memory Card, which is a flash memory device. The NZ1MEM-2GBSD, NZ1MEM-4GBSD, NZ1MEM-8GBSD, NZ1MEM-16GBSD, L1MEM-2GBSD, and L1MEM-4GBSD are available.

GENERIC TERMS AND ABBREVIATIONS

Unless otherwise specified, this manual uses the following generic terms and abbreviations.

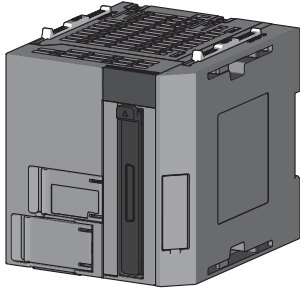
Generic term and abbreviation	Description
Branch module	A MELSEC-L series branch module
Built-in CC-Link function	The L26CPU-BT/L26CPU-PBT built-in CC-Link system master/local function
Built-in Ethernet port LCP	L02CPU, L02CPU-P, L06CPU, L06CPU-P, L26CPU, L26CPU-P, L26CPU-BT, L26CPU-PBT
CC-Link IE module	A CC-Link IE Controller Network module ^{*1} and a CC-Link IE Field Network master/local module
Extension module	A MELSEC-L series extension module
Head module	An LJ72GF15-T2 CC-Link IE Field Network head module
Programming tool	GX Works2, GX Developer
QCPU	A MELSEC-Q series CPU module
QnUCPU	A MELSEC-Q series Universal model QCPU

*1 MELSEC-L series products do not support this network.

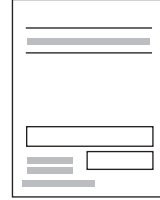
PACKING LIST

The following items are included in the package of this product. Before use, check that all the items are included.

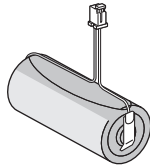
L02SCPU, L02SCPU-P



CPU module + END cover (L6EC)
(A dummy cover for the display unit is attached.)



Safety Guidelines (IB(NA)-0800456)

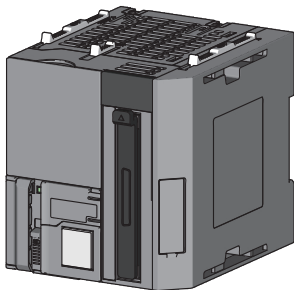


Battery (Q6BAT)
(installed in the CPU module)

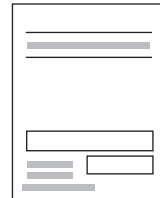


Battery replacement data stickers to fill out
(three stickers on one sheet)

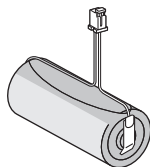
L02CPU, L02CPU-P, L06CPU, L06CPU-P, L26CPU, L26CPU-P



CPU module + END cover (L6EC)
(A dummy cover for the display unit is attached.)



Safety Guidelines (IB(NA)-0800456)

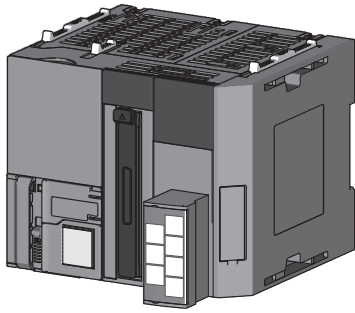


Battery (Q6BAT)
(installed in the CPU module)

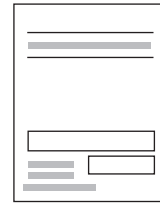


Battery replacement data stickers to fill out
(three stickers on one sheet)

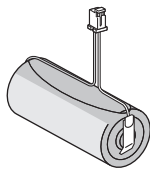
L26CPU-BT, L26CPU-PBT



CPU module + END cover (L6EC)
(A dummy cover for the display unit is attached.)



Safety Guidelines (IB(NA)-0800456)

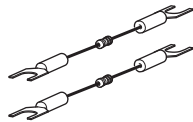


Battery (Q6BAT)
(installed in the CPU module)

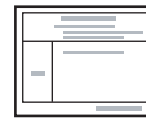


Battery replacement data stickers to fill out
(three stickers on one sheet)

A set of terminating resistors



Terminating resistor 110Ω 1/2W × 2 pieces
(Brown-Brown-Brown, gold)



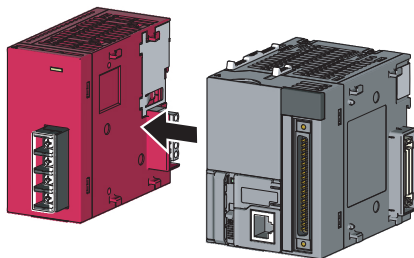
"CAUTION" note

CHAPTER 1 FEATURES

This chapter describes the features of a MELSEC-L series CPU module.

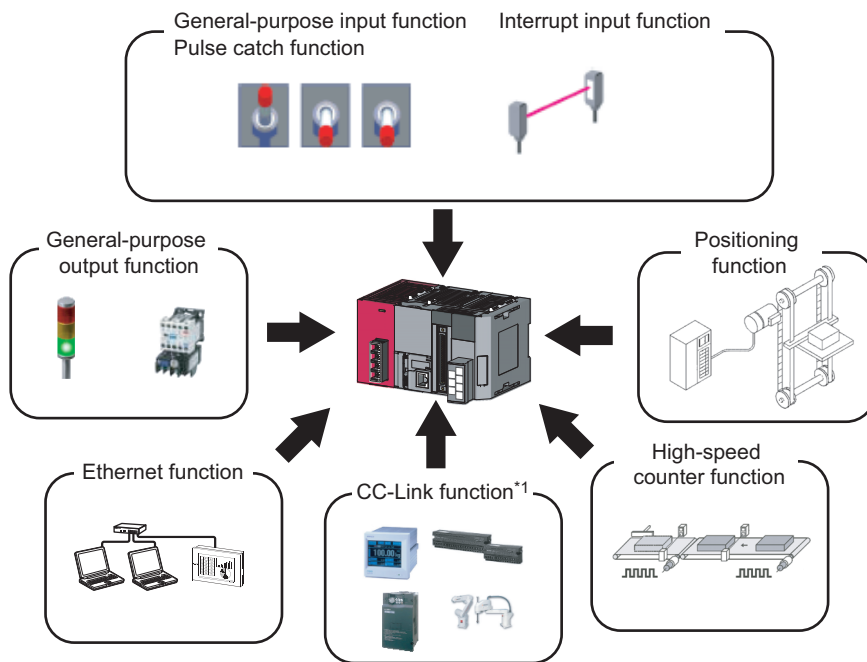
(1) Modules can be interconnected.

Using connectors on the both sides of modules, modules can be interconnected. Therefore, expanding a system in a minimum space is possible.



(2) The built-in functions allow system cost reduction.

The following built-in functions allow constructing a small-scale system using CPU module alone.



*1 The L26CPU-BT and L26CPU-PBT support the built-in CC-Link function.

For details on the built-in functions, refer to the following.


- 📖 MELSEC-L CPU Module User's Manual (Built-In I/O Function)
- 📖 MELSEC-L CPU Module User's Manual (Built-In Ethernet Function)
- 📖 MELSEC-L CC-Link System Master/Local Module User's Manual

(3) Use of a display unit improves operation.

By attaching a display unit, the following operations can be performed without a personal computer.

- Checking and changing device values and checking wiring after device value change
- Displaying and setting the time
- Checking and changing values set for intelligent function modules
- Checking an error message and error detail information

For details, refer to the following.

 MELSEC-L CPU Module User's Manual (Function Explanation, Program Fundamentals)


(4) An SD memory card is supported.

An SD memory card slot is equipped.

With an SD memory card, the following functions can be performed.

- Data logging function
- Boot operation from an SD memory card
- Data backup to an SD memory card
- Restoration of backup data

For details on each function, refer to the following.

 MELSEC-L CPU Module User's Manual (Function Explanation, Program Fundamentals)

 QnUDVCPU/LCPU User's Manual (Data Logging Function)

(5) The CPU module can be directly connected to the Ethernet network.

Ethernet, standard interface for personal computers, can be used as a communication interface.

By using the Ethernet ports and hubs, multiple connection of peripherals, such as personal computers on which a programming tool has been installed and GOTs, is possible without changing cables.

For details on the function, refer to the following.

 MELSEC-L CPU Module User's Manual (Built-In Ethernet Function)

(6) A system can be extended using branch modules and extension modules.

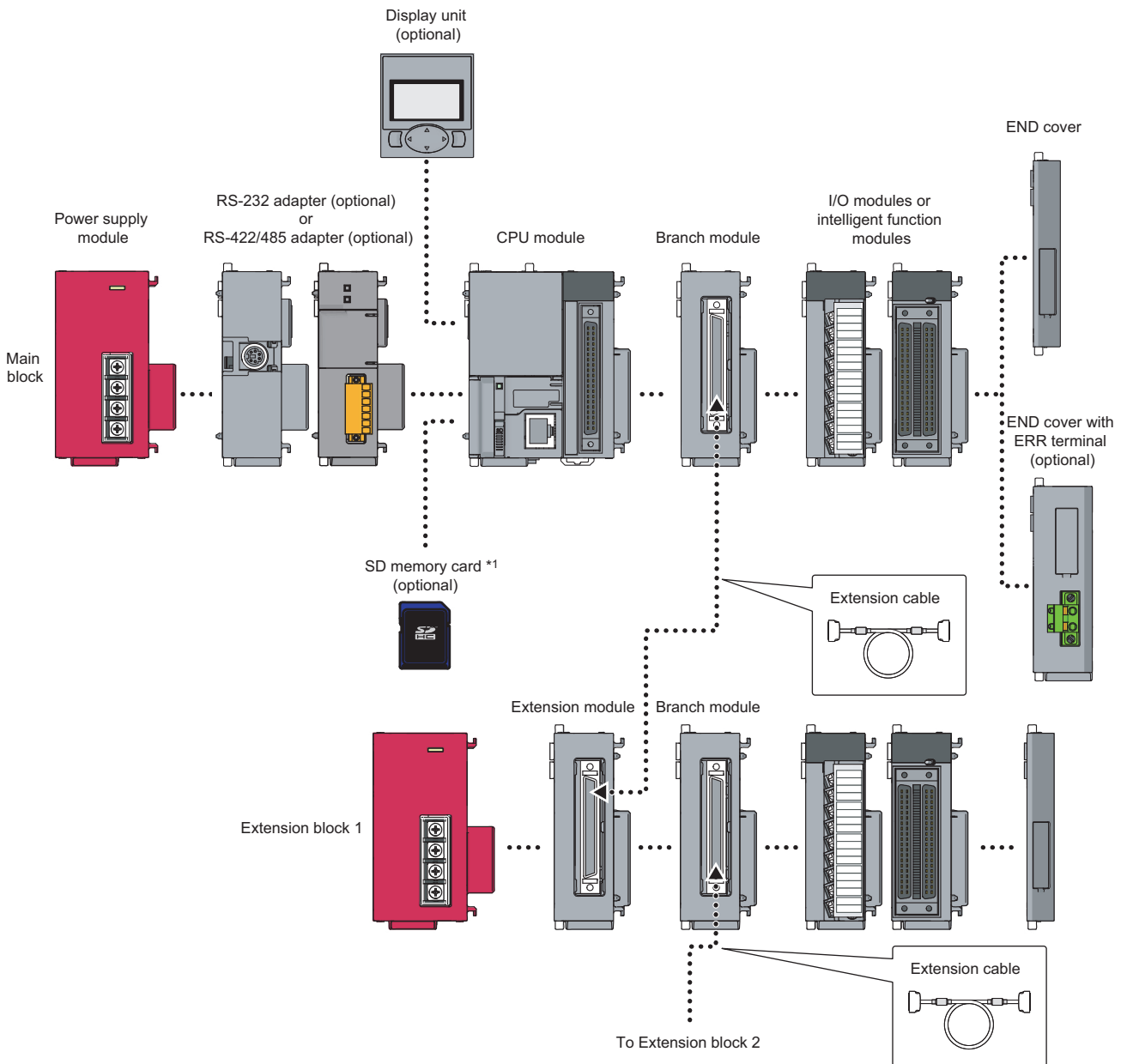
Up to 40 modules can be connected to a system using branch modules and extension modules.

CHAPTER 2 SYSTEM CONFIGURATION

This chapter describes overall system configuration, precautions for system configuration, and peripheral configuration.

2.1 Overall System Configuration

This section describes overall system configuration using a MELSEC-L series CPU module.



*1 For available SD memory card models, refer to Page 98, CHAPTER 14.

Point

A head module is not available for the system using the MELSEC-L series CPU module.

2.2 Precautions for Configuring a System

This section describes precautions for configuring a system.

(1) Number of extension blocks and connectable modules

The number of extension blocks differs depending on the CPU module used. Accordingly, the maximum configuration in a system differs.

The following table lists the number of extension blocks and connectable modules.

CPU module used	Number of extension blocks	Number of connectable modules ^{*1}	Maximum number of modules ^{*2}
<ul style="list-style-type: none"> • L02SCPU • L02SCPU-P • L02CPU • L02CPU-P 	Up to 2 blocks	Main block: Up to 10 modules Extension block: Up to 11 modules	30 modules <ul style="list-style-type: none"> • Main block: 9 modules • Extension block 1: 10 modules • Extension block 2: 11 modules
<ul style="list-style-type: none"> • L06CPU • L06CPU-P • L26CPU • L26CPU-P • L26CPU-BT • L26CPU-PBT 	Up to 3 blocks		40 modules <ul style="list-style-type: none"> • Main block: 9 modules • Extension block 1: 10 modules • Extension block 2: 10 modules • Extension block 3: 11 modules

*1 Not including power supply modules, CPU modules, display units, extension modules, RS-232 adapters, RS-422/485 adapters, and END covers

*2 The total number of I/O modules, intelligent function modules, and network modules that can be connected in a system

If extension blocks are connected exceeding the maximum number of blocks, the CPU module detects "SYSTEM LAY ERR." (error code: 2174).

If modules are connected exceeding the maximum number of modules for each block, the CPU module detects "SYSTEM LAY ERR." (error code: 2173).

If modules are connected exceeding the maximum number of modules for a system, the CPU module detects "SP.UNIT LAY ERR." (error code: 2124).

Point

The number of branch modules is included in the number of connectable modules. To add a branch module to a block where the maximum number of modules has already been connected, move one of the modules to an extension block.

There is a limit on the number of modules connected. The following table lists the modules that have a limit and the number of modules in a system.*3

Module	Model	Number of modules			
		L02SCPU, L02SCPU-P	L02CPU, L02CPU-P	L06CPU, L06CPU-P, L26CPU, L26CPU-P	L26CPU-BT, L26CPU-PBT
CPU module	—	1 (in a main block)			
Branch module	L6EXB	1 (per block)			
Extension module	L6EXE	1 (per extension block)			
RS-232 adapter	L6ADP-R2	Mounting N/A	1 (in a main block) (1 unit: either RS-232 adapter or RS-422/485 adapter)		
RS-422/485 adapter*7	L6ADP-R4				
CC-Link system master/local module	LJ61BT11	2 (2 modules)*4		4 (4 modules)*4	3 (3 modules)*4
CC-Link IE Field Network master/local module*5	LJ71GF11-T2	4 (2 modules)*4		8 (4 modules)*4	
Ethernet module*6	LJ71E71-100	1 (1 modules)		2 (2 modules)	

*3 Some intelligent function modules and network modules occupy the spaces for two modules. Before configuring a system, check the number of occupied modules in the user's manual for the module used.

*4 This is the number of modules that can be set in parameters using a programming tool. By using dedicated instructions, the maximum number of these modules can be connected. For details on dedicated instructions, refer to the manual for each module.

*5 To connect this module, check that the serial number (first five digits) of the CPU module is "13012" or later.

*6 When connecting an Ethernet module, check that the serial number (first five digits) of the CPU module is "14112" or later.

*7 When connecting the RS-422/485 adapter, check that the serial number (first five digits) of the CPU module is "15102" or later.

If more than one branch module is connected to the same block, the CPU module detects "SYSTEM LAY ERR." (error code: 2172).

(2) Configuring a system using a branch module and an extension module

(a) Connecting position

The following table describes the positions of a branch module and an extension module in a system.

Module	Connected block	Connected position
Branch module	Main block	On the right of a CPU module or on the left of an END cover
	Extension block	On the right of an extension module or on the left of an END cover
Extension module	Main block	Not connectable
	Extension block	On the right of a power supply module

(b) CPU module

Use a CPU module whose serial number (first five digits) is "13072" or later.

(c) END cover

Use an END cover that satisfies the following conditions.

- The L6EC whose serial number (first six digits) is "*****2"
- END cover with ERR terminal (optional item)

Point

When the L6EC-ET is connected to an extension block, a system error cannot be detected using the $\overline{\text{ERR}}$ terminal. (The $\overline{\text{ERR}}$ terminal is always off.)


(d) Power supply module of an extension block

Connect a power supply module to each extension block. If the power consumption of I/O modules and intelligent function modules connected to an extension block is low, those modules may operate even if no power supply module is connected. However, the voltage is unstable and the module operation cannot be guaranteed.

(e) Extension cable

Do not leave a branch module with an extension cable connected (without connecting the other end of the cable to an extension module). Doing so may result in malfunction due to noise. (The CPU module regards the system as normal even if the system includes a branch module that is not connected to an extension module.)

(3) Rated output current (5VDC)

Configure a system so that the total current consumption may not exceed 5VDC, the rated output current of the power supply module. For the specifications of the power supply module, refer to  Page 78, Section 7.2.


(4) For the power capacity

A shortage of the power capacity may result depending on the combination of connected modules and the numbers of connected modules. When connecting the modules, be sure to consider the power capacity. If there is a shortage of the power capacity, consider the combination of modules to be connected.

(5) For the devices to be connected to the Built-in Ethernet port LCPU

When connecting the devices to the Built-in Ethernet port LCPU, turn off the system before connecting.

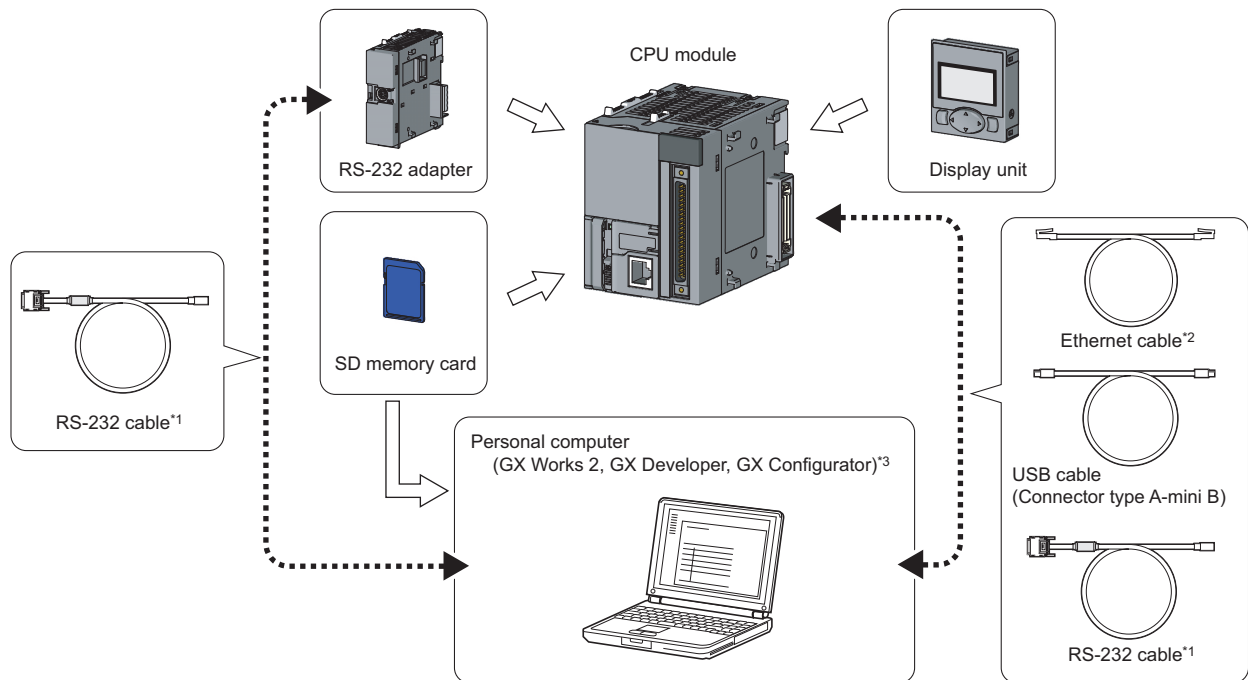
(6) Other series modules that access the CPU module over a network

To access the CPU module from the following modules over a network, check the version of the module. (
Manual of the module used)

- Web server module
- MES interface module
- High speed data logger module

2.3 Peripheral Configuration

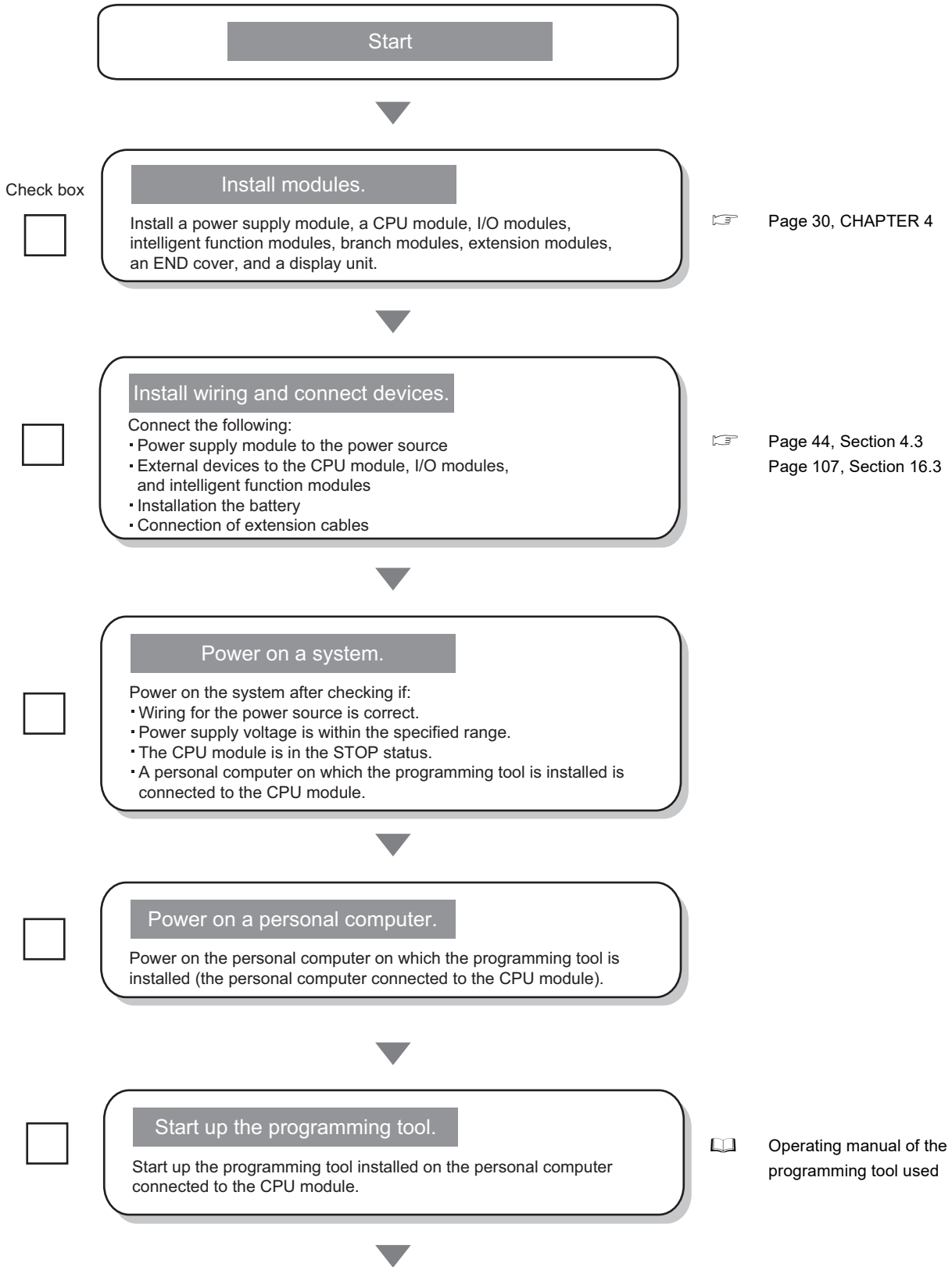
This section describes peripheral configuration using a MELSEC-L series CPU module.

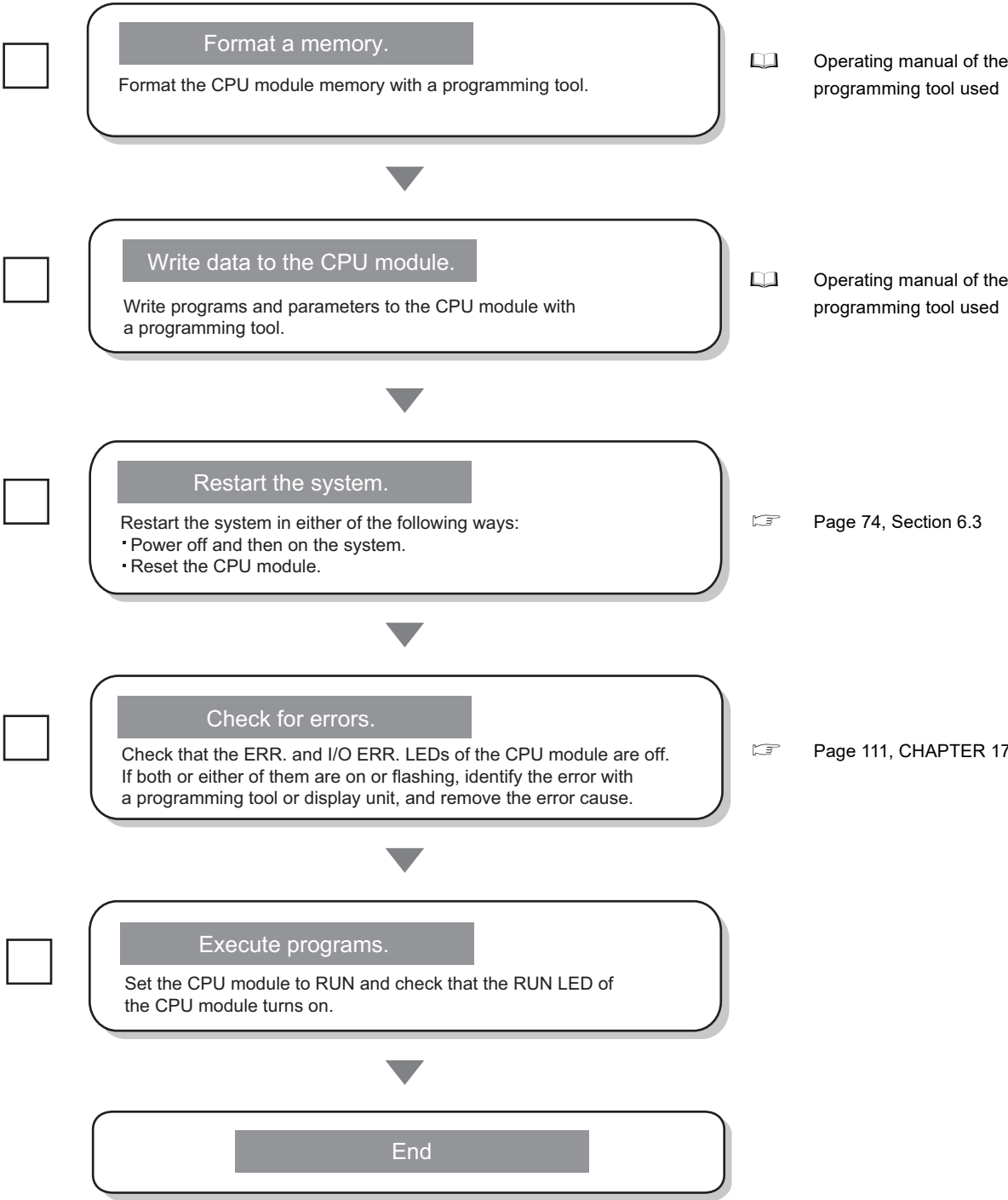


- *1 Use an RS-232 cable meeting the specifications. For the specifications of an RS-232 cable, refer to the following.
 📖 Operating manual of the programming tool used
- *2 Use the following Ethernet cables
- For 10BASE-T connection: Cables compliant to Ethernet standards, category 3 or higher (STP/UTP cables (In an environment subject to electric noise, use shielded twisted pair (STP) cables.))
 - For 100BASE-TX connection: Cables compliant to Ethernet standards, category 5 or higher (STP cables)
- *3 For compatible software versions, refer to 📖 Page 455, Appendix 7.

CHAPTER 3 SYSTEM START-UP PROCEDURE

This chapter describes a procedure for starting a system.





CHAPTER 4 INSTALLATION AND WIRING

This chapter describes the installation and the wiring of modules.

4.1 Installation Environment and Installation Position

When installing the programmable controller in a control panel, fully consider its operability, maintainability, and environmental resistance.

4.1.1 Installation environment

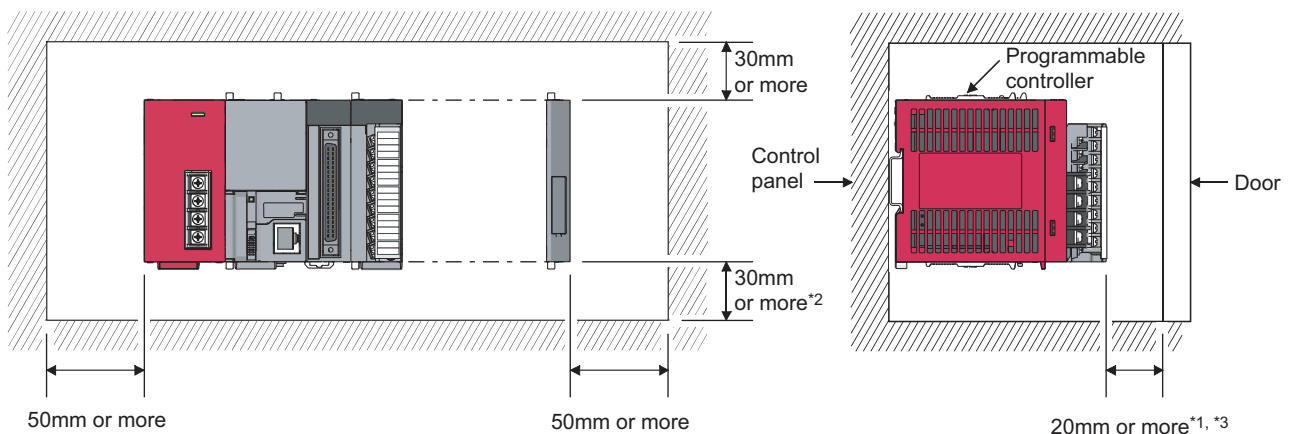
Install the programmable controller according to the installation environment shown in the general specifications. (Page 62, CHAPTER 5)

Do not install the programmable controller to the place where:

- An ambient temperature is outside the range of 0 to 55°C;
- Ambient humidity is outside the range of 5 to 95%RH;
- Condensation occurs due to rapid temperature change;
- Corrosive gas or combustible gas is present;
- Conductive powder such as dust and iron powder, oil mist, salinity, or organic solvent is filled;
- The programmable controller is exposed to direct sunlight;
- A strong electric field or strong magnetic field is generated; and
- The programmable controller is subject to vibration and shock.

4.1.2 Installation position

To ensure good ventilation and ease module change, provide clearance between the module top/bottom and structures/parts as shown below.



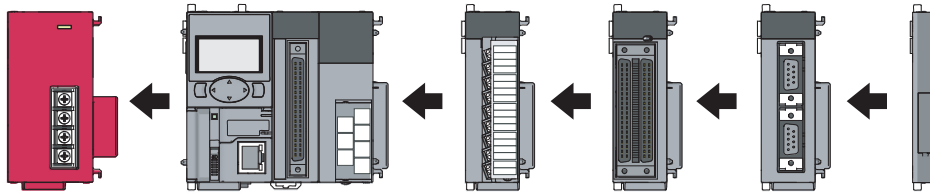
*1 When using connectors for external devices, provide clearance of 80mm or more.

*2 When using the Q7BATN, provide clearance of 50mm or more, and when using the Q7BAT, 45mm or more.

*3 When connecting an extension cable, provide clearance of 140mm or more.

4.2 Mounting the Modules

This section describes how to interconnect modules and how to mount them on a DIN rail.



Point

- Modules must be mounted on a DIN rail.
- Connect an END cover on the right of the terminal module.

4.2.1 Precautions for connecting and mounting modules

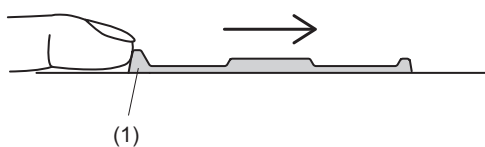
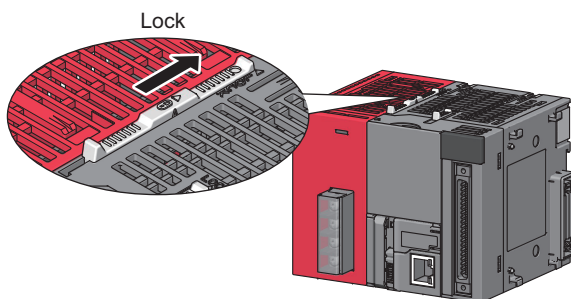
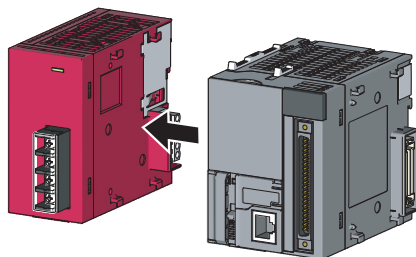
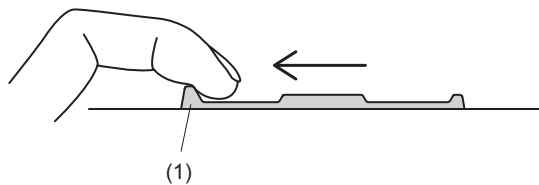
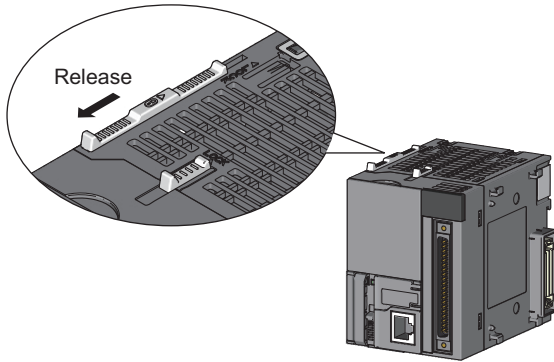
- Do not directly touch any conductive parts and electronic components of the module. Doing so can cause malfunction or failure of the module.
- After the first use of the product (module, display unit, and terminal block), do not connect/disconnect the product more than 50 times (IEC 61131-2/JIS B 3502 compliant). Exceeding the limit may cause malfunction.
- Do not drop or apply strong shock to the module case, terminal block, and connectors.
- Do not remove the printed-circuit board of the module from the case. Doing so may cause failure of the module and/or printed-circuit board.
- To prevent consumption of the CPU module battery, the battery connector is disconnected at shipment. Connect the battery connector before using the CPU module for the first time. (☞ Page 107, Section 16.3)

4.2.2 Connecting modules

This section describes a procedure for connecting modules with an example of how to connect the L02CPU with the L61P.

Shut off the external power supply for the system in all phases before connecting or disconnecting modules.

(1) Connecting modules



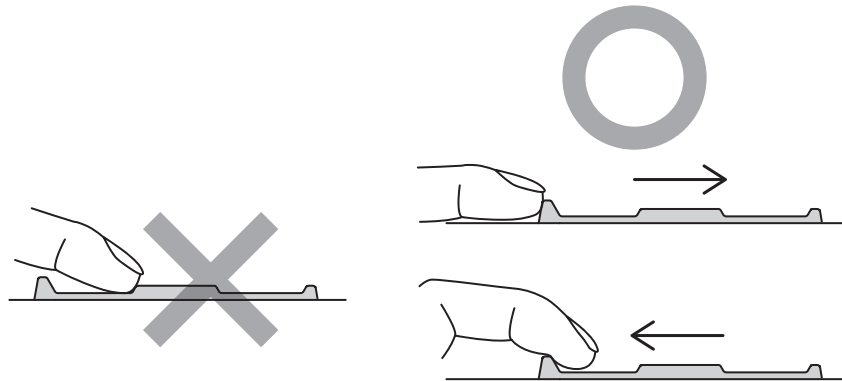
- 1. Release the module joint levers located at the top and bottom of the L02CPU.**
- 2. Slide the levers toward the front side of the module until they click. To release the levers, pull the projection (1) of the lever.**
- 3. Insert the connector of the power supply module into that of the CPU module so that they are securely engaged.**
- 4. Lock the module joint levers.**
- 5. Slide the levers toward the back side of the module until they click. Check that the modules are securely connected. To lock the levers, push the projection (1) of the lever.**

(2) Disconnecting modules

Disconnect the modules in the reverse manner of "(1) Connecting modules".

Point

- Failure to securely lock the module joint levers until they click may cause malfunction, failure, or drop of the module.
- To slide the levers, use the projection of the lever. Sliding levers with other parts than the projection may cause a difficulty of sliding.



- The metal parts of a module (such as the back side) may be heated to a high temperature immediately after the power is turned off. Therefore, be careful not to burn yourself when disconnecting a module.

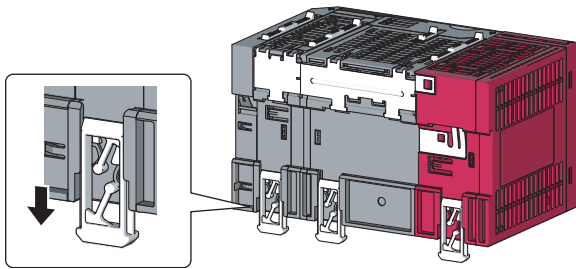
4.2.3 Mounting the modules on a DIN rail

This section describes a procedure for mounting the modules on a DIN rail.

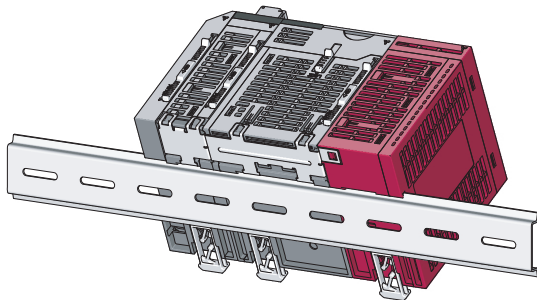
Point

The procedure for using the DIN rail stopper is an example. For connecting a module, refer to the manual for the DIN rail stopper used.

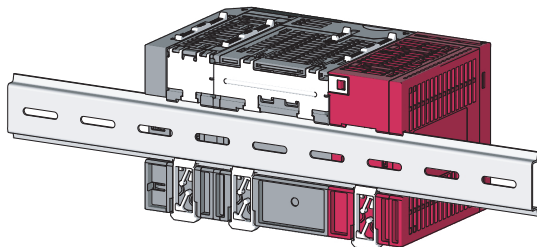
(1) Mounting procedure



1. Pull down DIN rail hooks on the back of the modules until they click.



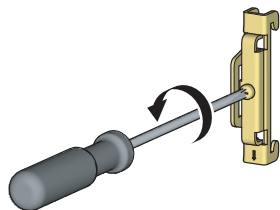
2. Hang the upper tabs of the modules on a DIN rail, and push the modules in position.



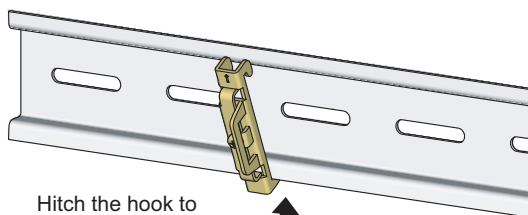
3. Lock the DIN rail hooks to the DIN rail to secure the modules in position.


Push the hooks up until they click.

If the hooks are beyond the reach, use a tool such as a driver.



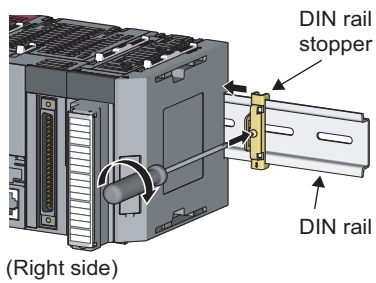
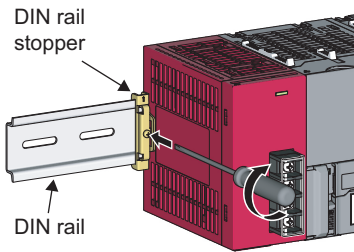
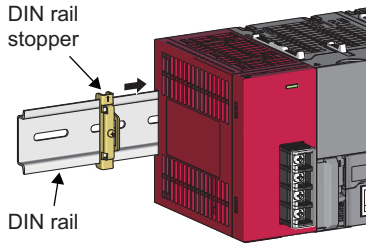
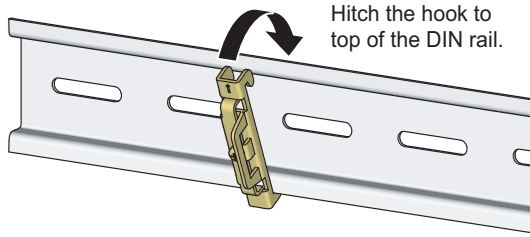
4. Loosen the screw on DIN rail stopper.



Hitch the hook to bottom of the DIN rail. 

5. Hitch the bottom hook of the DIN rail stopper to the bottom of the DIN rail.

Hitch the hook according to the orientation of the arrow on the front of the stopper.



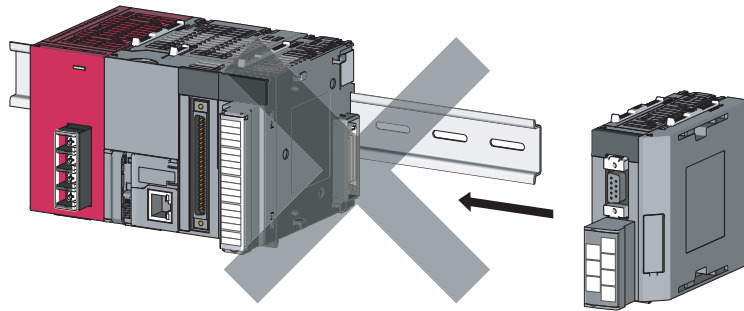
6. Hitch the upper hook of the DIN rail stopper to the top of the DIN rail.

7. Slide the DIN rail stopper up to the left side of the modules.

8. Hold down the DIN rail stopper in the opposite direction of the arrow marked on the stopper, and tighten the screw on the stopper with a screwdriver.

9. Attach a DIN rail stopper on the right of the modules with the same procedure. Use the stopper carefully when attaching on the right side of an END cover, because the stopper should be attached top side down.

Do not slide modules from the edge of the DIN rail when mounting them. Doing so may damage the metal part located on the back of the module.



(2) Removal procedure

Remove the modules from the DIN rail in the reverse manner of (1).

(3) Applicable DIN rail model (IEC 60715)

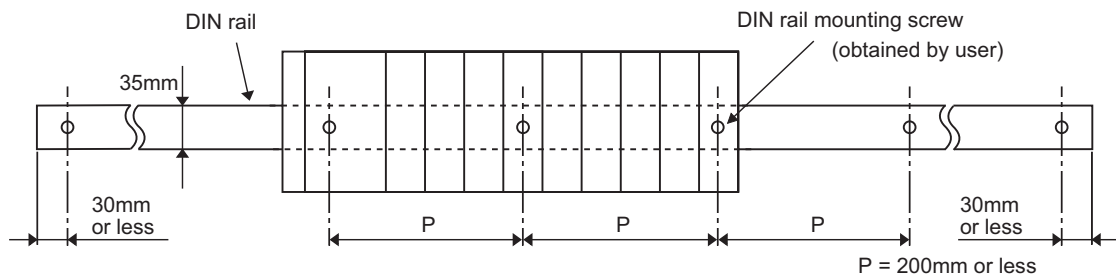
- TH35-7.5Fe
- TH35-7.5Al
- TH35-15Fe

(4) DIN rail stopper

Use a stopper that is attachable to the DIN rail.

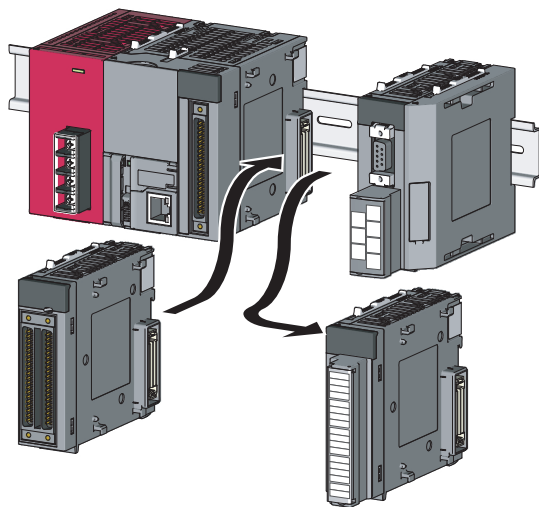
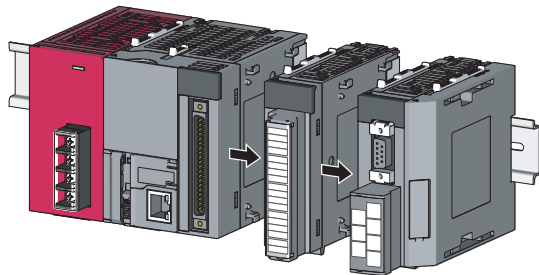
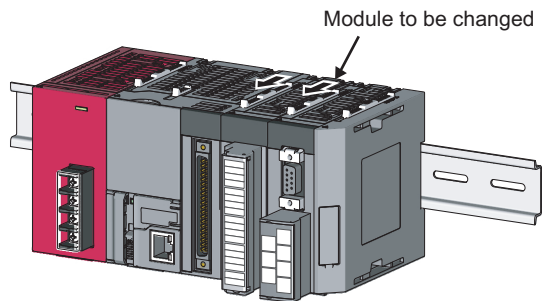
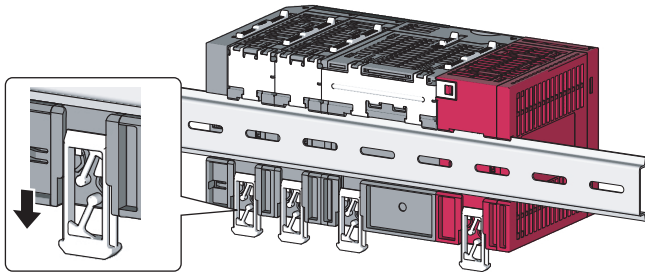
(5) Interval between DIN rail mounting screws

To ensure the strength of a DIN rail, tighten DIN rail mounting screws (obtained by user) within 30mm away from the both edges of the DIN rail and at 200mm-interval between the screws.



4.2.4 Changing modules on a DIN rail

This section describes a procedure for changing modules on a DIN rail by sliding them rightward. Remove the mounted terminal block and disconnect the connectors beforehand.



1. Remove the DIN rail stopper on the right edge.

2. Pull down DIN rail hooks on the back of the modules.

Pull down the DIN rail hooks on the module to be changed and on the module on the right of the changed module until they click.

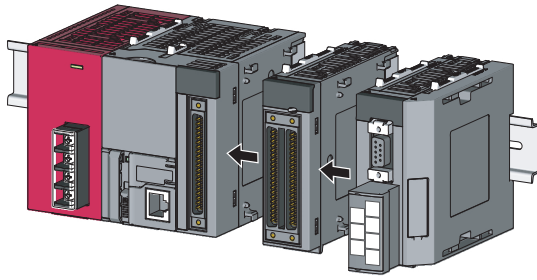
If the hooks are beyond the reach, use a tool such as a driver.

3. Release the module joint levers on the modules.

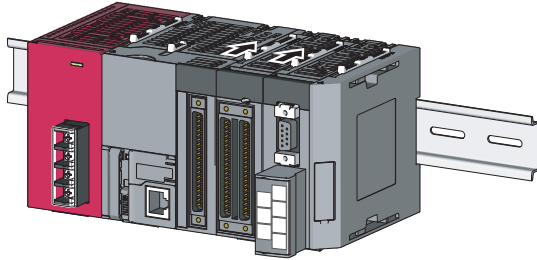
Slide the module joint levers on the module to be changed and on the module on the right of the changed module toward the front side of the module until they click.

4. Disconnect the modules by sliding them individually.

5. Change the modules.




6. Slide the modules and plug the connectors.



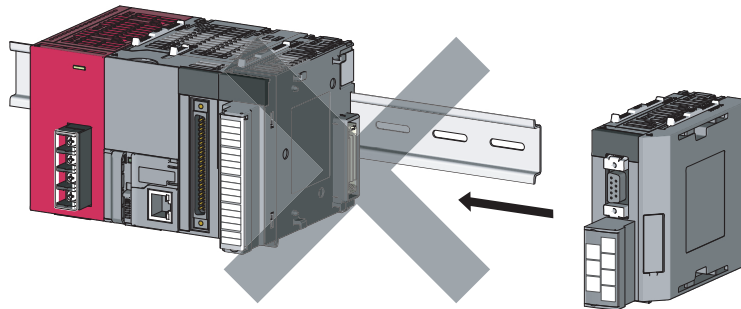
7. Lock the module joint levers.

Slide the levers toward the back side of the module until they click.

8. Lock the DIN rail hooks and attach the DIN rail stopper. ( Page 34, Section 4.2.3)

Point 

Do not slide modules from the edge of the DIN rail when mounting them. Doing so may damage the metal part located on the back of the module.



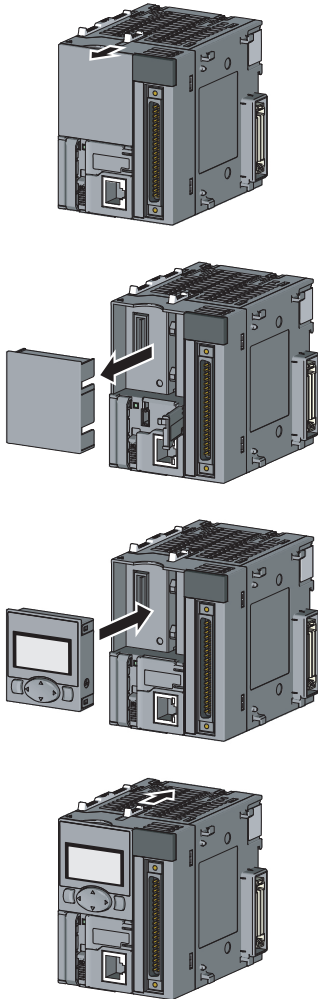
4.2.5 Attaching and removing a display unit

This section describes a procedure for attaching a display unit on the CPU module.

Shut off the external power supply for the system in all phases before attaching or removing a display unit.

After removing the display unit, always attach a display unit dummy cover for protecting the connector.

(1) Attachment procedure



- 1. Release the display unit hook on the module top.**
The hook clicks when released.

- 2. Remove a display unit dummy cover.**
Keeping the USB connector cover open will ease removal of the unit.

- 3. Embed the display unit straight into the CPU module.**

- 4. Lock the display unit hook.**
The hook clicks when locked.

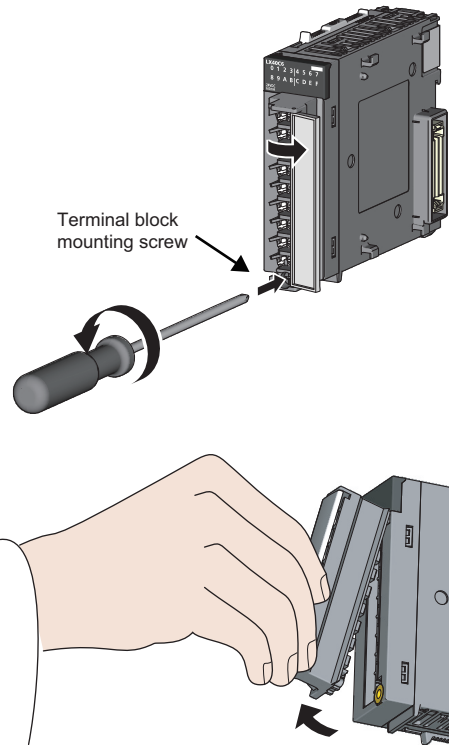
(2) Removal procedure

Change the display unit with the display unit dummy cover in the same manner of (1).

4.2.6 Mounting and removing a terminal block

This section describes a procedure for mounting and removing an 18-point terminal block.

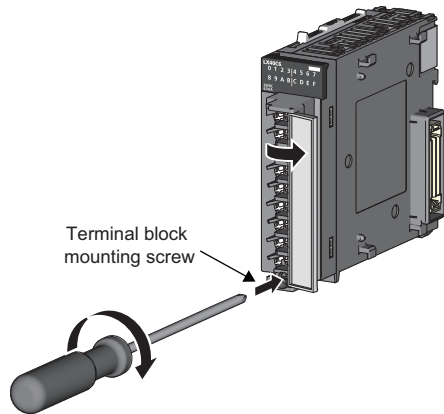
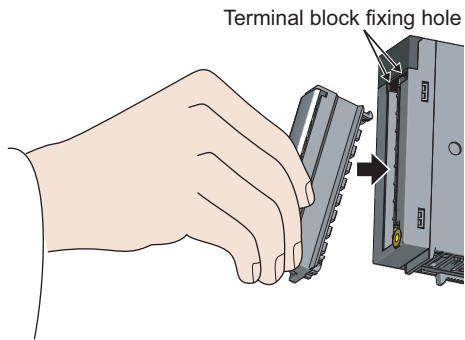
(1) Removal procedure



1. Open the terminal cover and loosen the terminal block mounting screw.

2. Press the terminal block fixing holes until the lower part of the terminal block is disengaged from the module, and then remove the terminal block.

(2) Mounting procedure



1. Fully insert the projections on the top of the terminal block into the terminal block fixing holes and press the terminal block until it snaps into place.
2. Open the terminal cover and tighten the terminal block mounting screw.

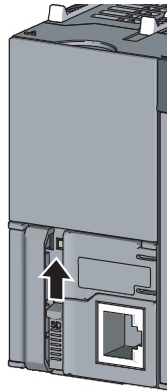
Point 

For mounting and removal of other terminal blocks, refer to the user's manual for the module used.

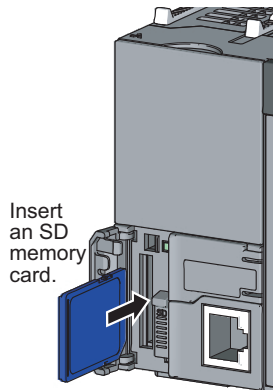
4.2.7 Inserting and removing an SD memory card

This section describes a procedure for inserting/removing an SD memory card into/from the CPU module.

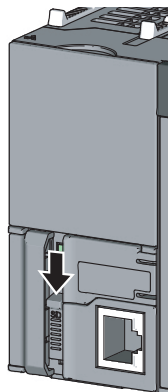
(1) Insertion procedure



1. Check that the SD memory card lock switch is on the upper position.



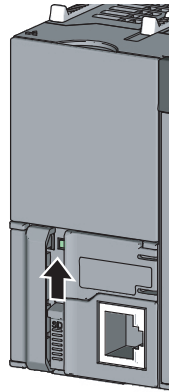
2. Insert an SD memory card into the SD memory card slot.



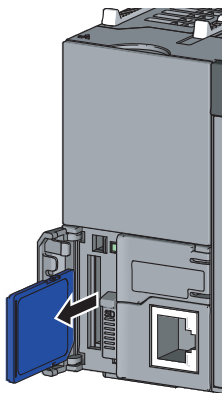
3. Slide the SD memory card lock switch down.
The SD LED will be flashing while the SD memory card is being prepared for operation and will turn on when the card becomes ready.
After power-on, check that the SD LED turns on.

Point!

- Check that the SD memory card is inserted completely. Incomplete insertion may cause malfunction due to poor contact.
-

(2) Removal procedure**1. Slide the SD memory card lock switch up.**

Check that the SD LED turns off before removing the SD memory card while the CPU module is on.*1

**2. Push the SD memory card into the slot once, and then pull the card out.**

*1 While the SD memory card is being used, the SD LED does not turn off even if the SD memory card lock switch is slid up. In this case, check that the all bits of SD604 (Memory card use conditions) turn off, and then slide the lock switch up.

Point

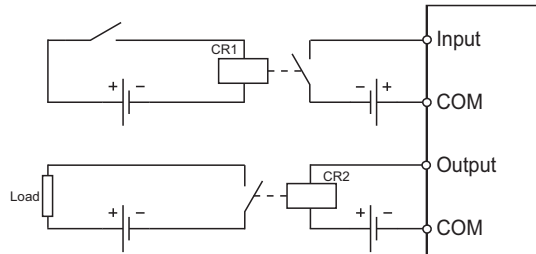
- Do not remove an SD memory card while a function using an SD memory card is being performed.
- To turn off all points of SD604 (Memory card use conditions), leave files in the SD memory card unused, or stop using all files in the SD memory card with SM606 (SD memory card forced disable instruction) and SM607 (SD memory card forced disable status flag). (Page 100, Section 14.4)

4.3 Wiring

This section describes precautions for wiring of power cables and wiring to I/O equipment.

(1) Precautions

- Do not connect 24VDC outputs from several power supplies in parallel to supply power to one I/O module. Parallel connection will damage the power supplies and/or the I/O module.
- Prevent foreign matter such as dust or wire chips from entering the module.
- When disconnecting the cables from the CPU module or external devices, do not pull the cables by the cable part.
- Do not install the cables connected to the external I/O signals or external devices together with the main circuit lines, power cables, or load cables connected to other than the programmable controller. Keep a distance of 100mm or more between them. When bringing the cable connected to the CPU module close to the power cables, use shielded cables for noise reduction measures. Securely install the shielded part of the cables to the control panel on the CPU module side.
- If I/O signals are exposed to the outdoors, isolate them with a relay.

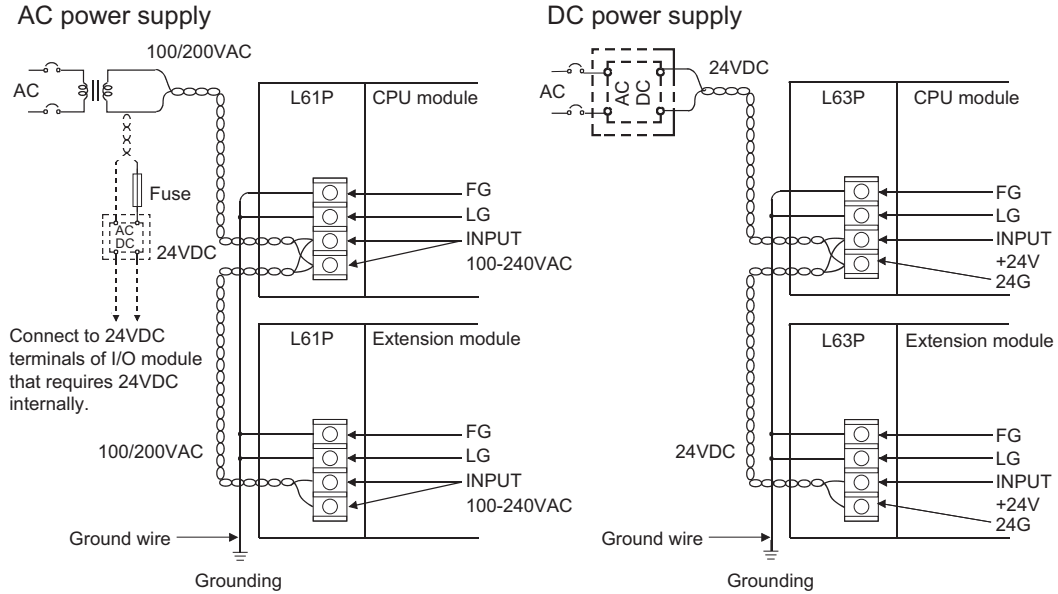


- Supplying the same amount of AC to both the power supply module and an AC input module (such as the LX10) can prevent a connected sensor from being turned off due to the momentary power failure. However, if only the power supply module and an AC input module are connected on the AC line, an AC down detection in the power supply module may be delayed due to the internal capacitor of the AC input module. To avoid this delaying, connect a load of approximately 30mA per AC input module on the AC line.

4.3.1 Wiring to power supply modules

(1) Wiring method

The following figures show examples of wiring to power supply modules.



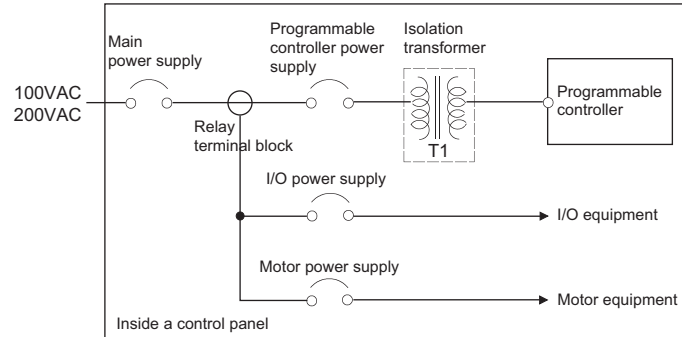
4

4.3 Wiring
4.3.1 Wiring to power supply modules

(2) Precautions

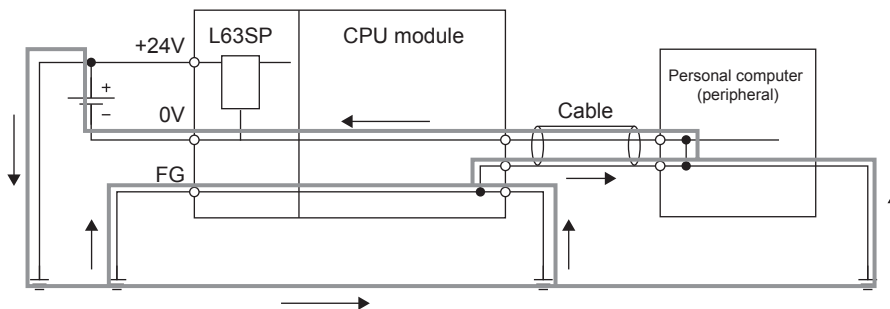
The following describes precautions for wiring to power supply modules.

- Wire cables of the power supply for the programmable controller, I/O power supply, and motor power supply separately as shown below.

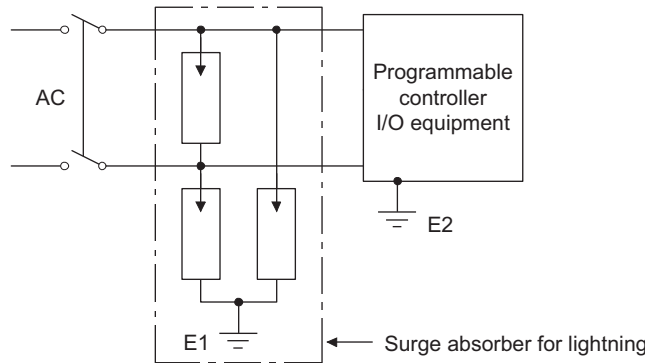


- Considering the rated current and inrush current of the power supply module, connect a breaker having appropriate sensing property or an external fuse causing proper blowout. (When using a single programmable controller, connecting a breaker around 10A or an external fuse is recommended.)
- To minimize a voltage drop, use thick power cables up to 2mm², twist the cables closely, and connect the modules with the shortest distance.
- Do not install the power cables together with the main circuit (high voltage and high current) cables, I/O signal cables, and common cables. Keep a distance of 100mm or more between them.
- If there is much noise due to a lightning surge or other causes, connect an isolation transformer. For an isolation transformer, refer to Page 457, Appendix 9.
- After wiring, always attach the included terminal cover to the power supply module and do not touch any terminal while the power is on or the module is operating.
- Use a Class 2 power supply for a module using a DC power supply.
- Configure a system so that the total current consumption may not exceed 5VDC, the rated output current of the power supply module. For the specifications of the power supply module, refer to Page 78, Section 7.2.
- Because the L63SP is a non-insulation type, take either of following measures when using it as an external power supply outputting 24VDC.
 - Ground it at the side of 0V.
 - Do not ground it.

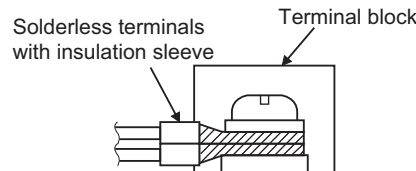
Do not ground it at the side of +24V as shown below. Doing so may result in short circuit of the external power supply depending on the connection method of a personal computer (peripheral).



- Due to noise caused by lightning surge, a momentary power failure may be detected or the CPU module may be reset. As measures against the noise, connect a surge absorber for lightning as shown below.



- Always use a solderless terminal for wiring to the terminal block on a power supply module. To prevent a short when screws come loose, always use a solderless terminal with insulation sleeve of 0.8mm or less in thickness. Up to two solderless terminals can be connected to one terminal block.



- Use UL-approved solderless terminals and, for processing, use a tool recommended by their manufacturer.
- Tighten the terminal screws of the power supply module within the range of 0.66 to 0.89N·m.
- Use the following wire to the power supply module.

Applicable wire size	Material	Temperature rating
0.75 to 2mm ² (18 to 14 AWG) (stranded)	Copper	75°C or more

- Inputting a signal with a different voltage may cause malfunction of the module and failure of the external devices.
- Use an online UPS (uninterruptible power supply) with a power distortion factor of 5% or less or a line interactive UPS. If a standby UPS is used, use a Mitsubishi low-capacity UPS "FREQUUPS FW-F series" (hereinafter FW-F series). (Example: FWF10-0.3K/0.5K)
- Select a power supply having enough power for a power supply module. (For an AC power supply module, the power capacity should be twice or more as great as the current consumption of the power supply module, and four times or more for a DC power supply module.)

Point

To make the wiring comply with the EMC and Low Voltage Directives, refer to Page 457, Appendix 9.

4.3.2 Wiring to an 18-point screw terminal block

(1) Precautions

- For the 18-point screw terminal block wiring, use a solderless terminal of 0.8mm or less in thickness. Up to two solderless terminals can be connected to one terminal block.
- For an 18-point screw terminal block, a solderless terminal with insulation sleeve cannot be used. To prevent a short when screws come loose, the junction of a solderless terminal and a cable should be covered up with a cable tag or an insulation tube.
- Use the following wire to the 18-point screw terminal block.

Applicable wire size	Material	Temperature rating
Core: 0.3 to 0.75mm ² (22 to 18 AWG) (stranded) Outside diameter: 2.8mm or less	Copper	75°C or more

- Use R1.25-3 solderless terminal.
- Use UL-approved solderless terminals and, for processing, use a tool recommended by their manufacturer.
- Tighten the terminal block screws within the following specified torque range.

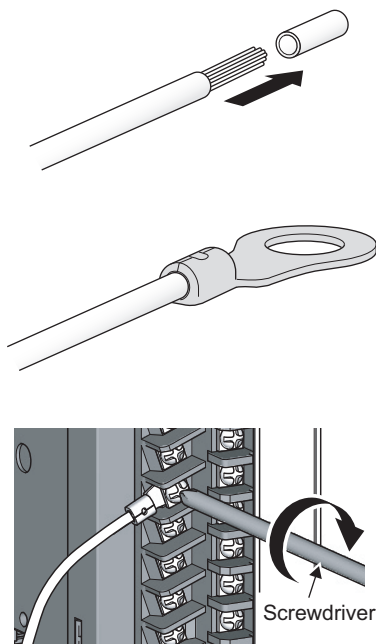
Screw type	Tightening torque range
Terminal block screw (M3)	0.42 to 0.58N·m
Terminal block mounting screw (M3.5)	0.66 to 0.89N·m

Point

For screw terminal blocks other than the 18-point screw terminal block, refer to the user's manual for the module used.

(2) Wiring method

(a) Wiring to an 18-point screw terminal block



1. Strip the insulating coating from the cable.

2. Connect a solderless terminal to the stripped part of the cable.

For applicable solderless terminals, refer to the specifications of each module.

3. Wire the solderless terminals to the 18-point screw terminal block.

For terminal layout, refer to the specifications of each module.

4.3.3 Wiring to a spring clamp terminal block

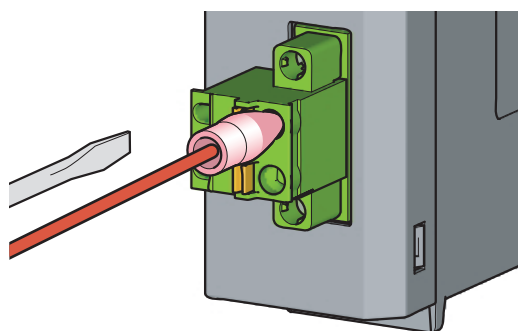
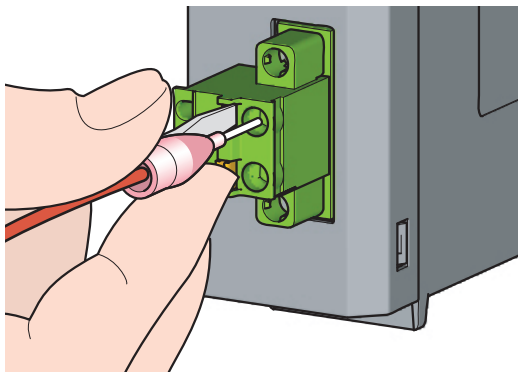
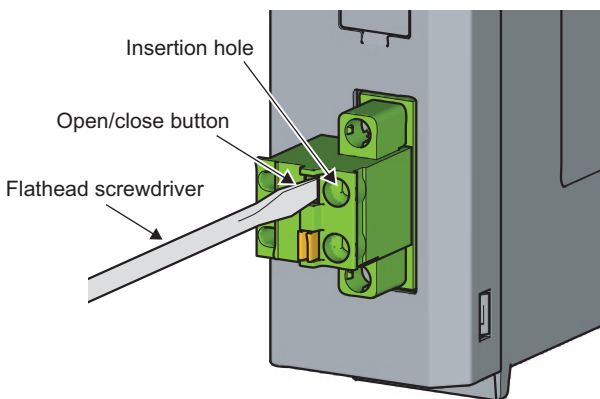
(1) Precautions

- A bar terminal is recommended for the spring clamp terminal block.
- Tighten the terminal block mounting screw within the following specified torque range.

Screw type	Tightening torque range
Terminal block mounting screw	0.20 to 0.30N·m

- To use a bar terminal, use an applicable solderless terminal for a module, and crimp an applicable size wire by using an applicable crimp tool. For applicable solderless terminals and applicable wire size, refer to the user's manual for the module used.
- Only one terminal can be connected to one terminal block.
- Keep the cable wiring length to 30m or less.

(2) Connecting and disconnecting cables



1. Insert the flathead screwdriver to the open/close button, and fully press the button.

The insertion hole opens.

For using the bar terminal, the cable can be inserted without pressing the open/close button.

2. Insert the cable to the insertion hole or pull off the cable.

To connect the cable, fully insert the cable.

3. Remove the flathead screwdriver from the open/close button.

To connect the cable, check that the cable is securely inserted.

4.3.4 Wiring to connectors


(1) Precautions

- Connectors for external devices (A6CON□) must be crimped, pressed, or correctly soldered.
- Plug connectors for external devices (A6CON□) securely to the module and tighten the two screws.
- Use copper wires having temperature rating of 75°C or more for the connectors.
- Tighten the connector screws within the following specified torque range.

Screw type	Tightening torque range
Connector screw (M2.6)	0.20 to 0.29N·m

- To use the high-speed counter function (built-in I/O function) in 1-phase input, connect the pulse input cable to A-phase line.
- Do not connect the module to the connector/terminal block converter module (A6TB□). If not, I/O signals of the CPU module short, resulting in damage to the module or cables or malfunction due to poor connection.
- Place the cables in a duct or clamp them. If not, dangling cable may swing or inadvertently be pulled, resulting in damage to the module or cables or malfunction due to poor connection.

Point

To make the wiring comply with the EMC and Low Voltage Directives, refer to  Page 457, Appendix 9. Even when compliance with the EMC Directive and Low Voltage Directives is not required, configuring the system that complies with the EMC Directive may reduce external noise.

(2) Applicable connectors

The following tables list the crimp tool, pressure-displacement tools, and the types of connectors used for modules.

(a) 40-pin connector

Type	Model	Applicable wire size
Soldering connector (straight out type)	A6CON1	0.088 to 0.3mm ² (28 to 22 AWG) (stranded) Use cables with outside diameter of 1.3mm or shorter to connect 40 cables to the connector.
Crimp connector (straight out type)	A6CON2	0.088 to 0.24mm ² (28 to 24 AWG) (stranded)
Pressure-displacement connector (straight out type)	A6CON3*1	28 AWG (stranded) 30 AWG (solid) Flat cable of 1.27mm pitch
Soldering connector (both for straight out and 45-degree types)	A6CON4	0.088 to 0.3mm ² (28 to 22 AWG) (stranded) Use cables with outside diameter of 1.3mm or shorter to connect 40 cables to the connector.

*1 When the A6CON3 is used for the CPU module to connect external devices, it can be used only when all I/O signal points are used for the general-purpose I/O function.

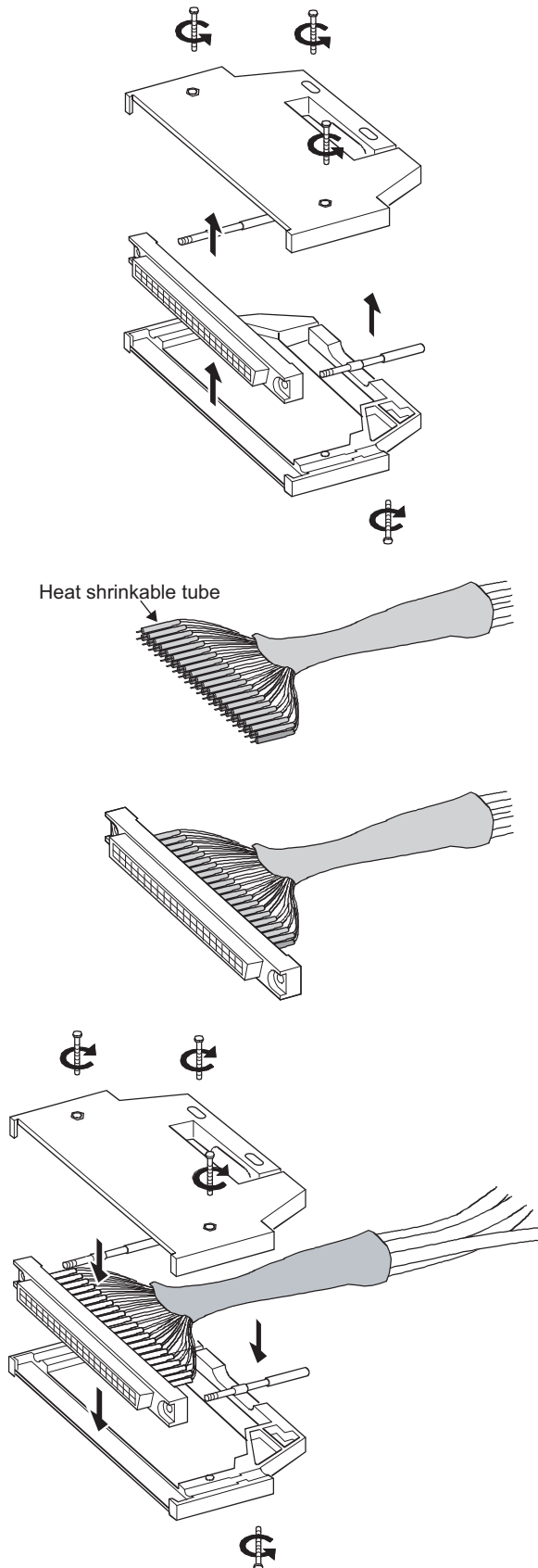
(b) Crimp tool and pressure-displacement tools for 40-pin connectors

Type	Model	Contact
Crimp tool	FCN-363T-T005/H	FUJITSU COMPONENT LIMITED www.fcl.fujitsu.com/en
Pressure-displacement tool	FCN-367T-T012/H (locator plate)	
	FCN-707T-T001/H (cable cutter)	
	FCN-707T-T101/H (hand press)	

For wiring of the connectors and usage of the crimp tool and pressure-displacement tools, contact FUJITSU COMPONENT LIMITED.

(3) Wiring method

(a) A6CON1, A6CON4

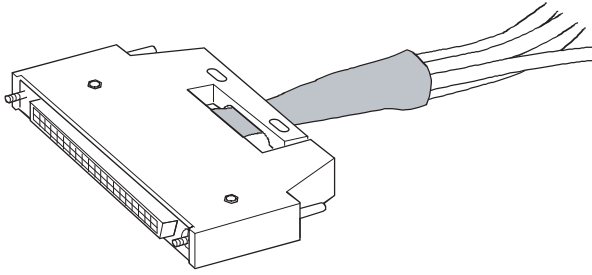


1. Loosen the four fixing screws on the connector and remove the screws. Open the connector cover from the connector side.

2. Solder the wires and coat them with heat shrinkable tubes.

3. Check the terminal layout and install the wires to the connector.
When the connector is plugged into an I/O module, an FG wire needs not to be installed.

4. Place the connector on one side of the connector cover and put the fixing screws through the screw holes. Cover the other connector cover onto the connector.



5. Tighten the four screws.

(b) A6CON2

The following table shows the specifications of the FCN-363T-T005/H used for the A6CON2.

Applicable wire size	Cross-section area of wire	Crimp height	Outside diameter of coated wire	Length of stripped wire part
24 AWG	0.20 to 0.24mm ²	1.25 to 1.30	φ1.2 or less	3.0 to 4.0
26 AWG	0.13 to 0.16mm ²	1.20 to 1.25	φ1.2 or less	3.0 to 4.0
28 AWG	0.088 to 0.096mm ²	1.15 to 1.20	φ1.2 or less	3.0 to 4.0

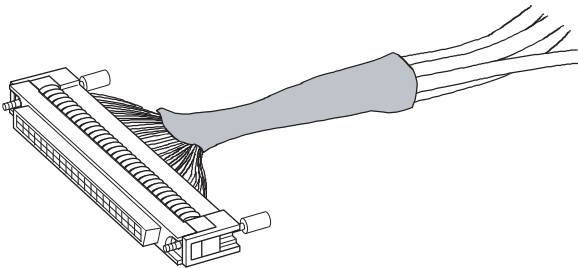
Wiring of the A6CON2 requires special tools.

For usage and adjustment of the tools, contact FUJITSU COMPONENT LIMITED.

(c) A6CON3

Wiring of the A6CON3 requires special tools.

For usage and adjustment of the tools, contact FUJITSU COMPONENT LIMITED.

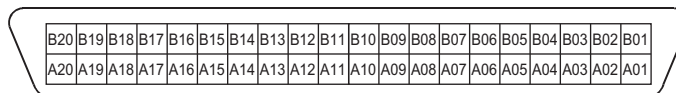


1. Check the terminal layout and press the wires against the connector.

Point

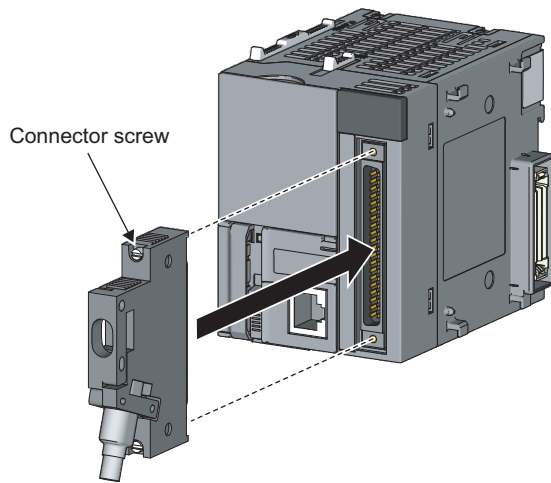
Arrangement for a flat cable is in the order of A1 → B1 → A2.....

(The following figure shows a connector seen from the plug-in side.)

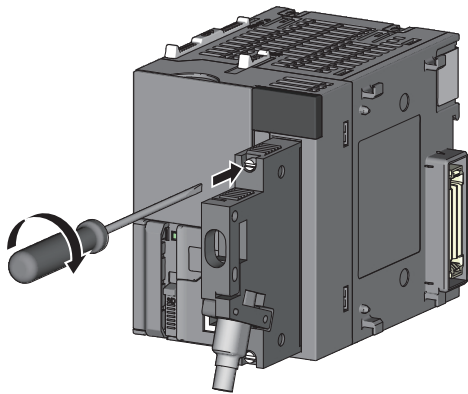


(4) Plugging a connector

(a) Installation procedure

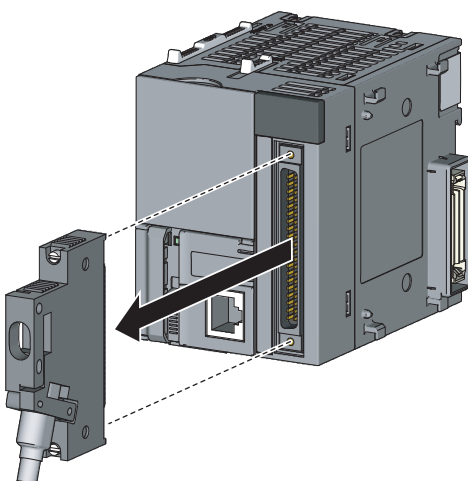


1. Plug the connector into the slot on the module.



2. Tighten the two connector screws (M2.6).

(b) Removal procedure



1. Loosen the two connector screws and pull out the connector from the module.

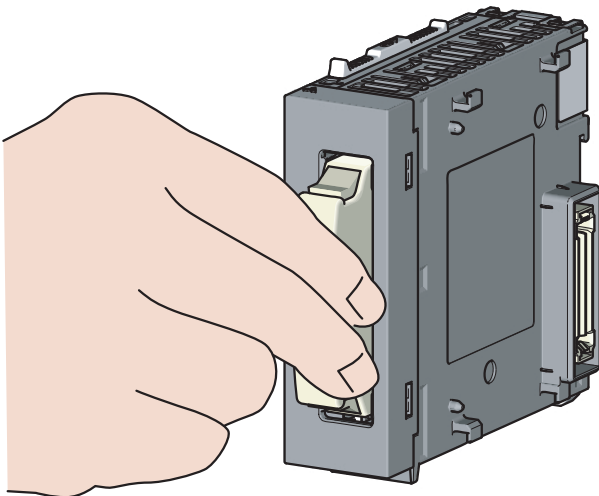
4.3.5 Connecting extension cables

(1) Precautions

- Do not step on an extension cable.
- When laying an extension cable, secure 76mm or more as the minimum cable bending radius. If it is less than 76mm, malfunction may occur due to characteristic deterioration or cable disconnection.
- The overall length of extension cables must be up to 3.0m.
- Do not install extension cables with the main circuit (high voltage and large current) lines.

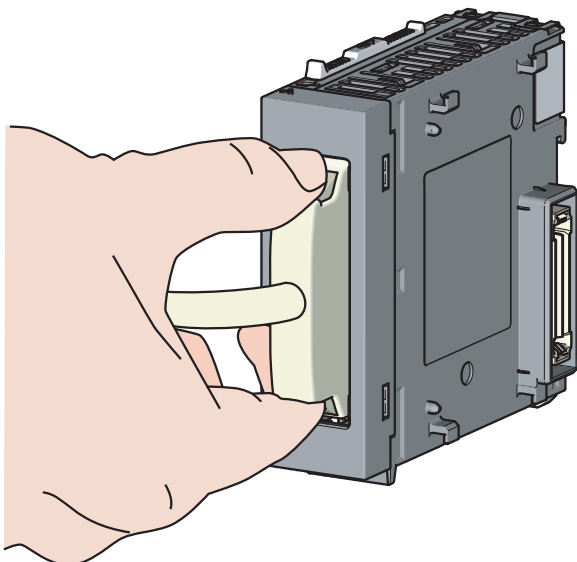
(2) Connection method

(a) Connecting an extension cable



1. Properly hold the connector part of an extension cable and insert it to the extension connector of a branch module or an extension module until it clicks. (Do not hold the ferrite core to connect the cable.)

(b) Disconnecting an extension cable



1. Press the buttons on the connector part and pull the cable out of the module. (Do not hold the ferrite core to disconnect the cable.)

(3) Specifications

Item	Model		
	LC06E	LC10E	LC30E
Cable length	0.6m	1.0m	3.0m
Conductor resistance value	0.034Ω	0.051Ω	0.14Ω
Weight	0.19kg	0.23kg	0.45kg

Point

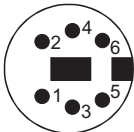
When different models of extension cables are used in combination, select cables so that the overall distance becomes 3.0m or less.

4.3.6 Wiring of RS-232 cable

This section describes wiring of cables when communicating through the predefined protocol function or the serial communication function.

(1) RS-232 connector specifications

The following shows the specifications of the RS-232 connector.

Appearance	Signal name	Signal	Pin number
 Mini-DIN 6 pins (female)	1	RD (RXD)	Received data
	2	SD (TXD)	Sent data
	3	SG	Signal ground
	4	—	—
	5	DR (DSR)	Data setting ready
	6	ER (DTR)	Data terminal ready

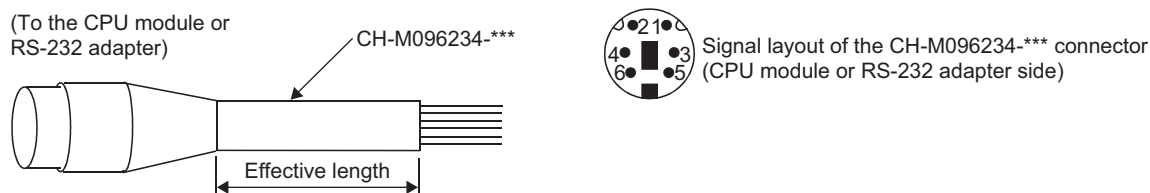
(2) RS-232 cable

The following RS-232 cable can be used to connect a personal computer or HMI from other companies to the RS-232 interface of the CPU module or RS-232 adapter.

- QC30R2 (cable length: 3m)
- CH-M096234-*** (manufactured by CHUGAI Co., Ltd.)

One side: with mini-DIN connector, Other side: cable without connector

*** indicates a cable length, which can be specified up to 15m in increments of 0.1m.



Pin number	1	2	3	4	5	6	Metal shell
Signal	RD	SD	SG	—	DR	ER	
Core wire	Red	Black	Green/white	—	Yellow	Brown	Shield

4.3.7 Wiring of RS-422/485 cable

This section describes cable wiring to the RS-422/485 adapter.

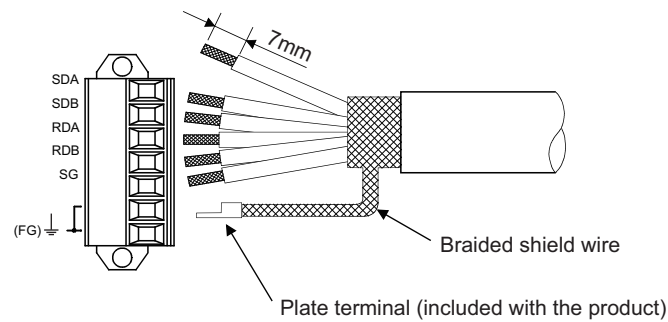
(1) Precautions

Do not install the control lines or communication cables together with the main circuit lines or power cables. Failure to observe this may result in malfunction due to noise. Keep a distance of 100mm or more between them.

(2) Wiring to RS-422/485 adapter

(a) Connecting method of cable and terminal block

1. Strip the insulating coating 7 mm from the RS-422/485 cable and connect it to the pluggable terminal block.
2. For FG terminal, connect the braided shield wire, and use the plate terminal supplied with the module.
3. Paying attention to the lateral direction of pluggable terminal block, insert the pluggable terminal block into the RS-422/485 connector at the RS-422/485 adapter side.



(b) RS-422/485 cable specifications

The following table shows the RS-422/485 cable specifications.

Use the RS-422/485 cable that meets the following specifications, within a length of 1,200m.

Even when multiple devices are connected on the basis of 1:n, n:1, and m:n, the overall length must be within 1,200m.


Item	Description
Cable type	Shielded cable
Logarithm	3P
Conductor resistance (20°C)	88.0Ω/km or less
Insulation resistance	10,000MΩ·km or higher
Withstand voltage	500VDC 1 minute
Capacitance (1kHz)	60nF/km or less at average
Characteristic impedance (100kHz)	110 ± 10Ω
Recommended conductor size	0.2 to 0.75mm ²
Wire diameter	22 to 16 AWG
Type	Stranded
Material	Copper
Temperature rating	60°C or more

The recommended cables are shown below.

Model	Manufacturer
SPEV(SB)-MPC-0.2×3P*1	MITSUBISHI CABLE INDUSTRIES, LTD.
SPEV(SB)-0.2×3P*1	MITSUBISHI CABLE INDUSTRIES, LTD.

*1 SPEV(SB)-MPC-0.2×3P and SPEV(SB)-0.2×3P have the same electrical characteristics, but they are partially different in the outside dimensions and internal cable color.

(c) Bending radius of connection cable

For the cable bending radius, refer to  Page 485, Appendix 14.5 (2).

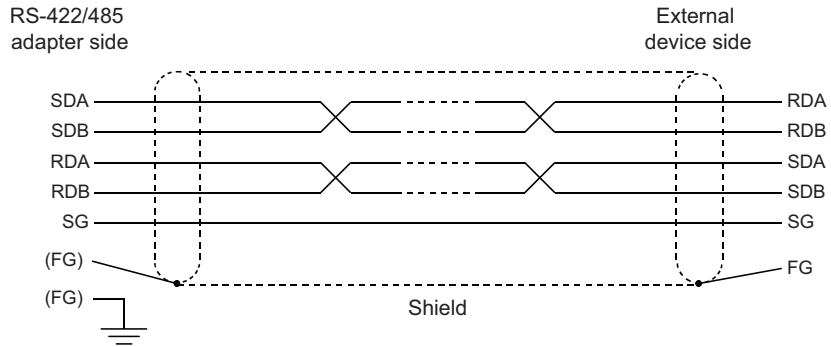
(3) Wiring to external devices

This section describes connection with external devices.

- When multi-dropped connection is established using RS-485, up to 32 modules can be connected (including the RS-422/485 adapter).
- When SG and FG signals of the RS-422/485 adapter are connected to external devices, ensure that it can meet the specifications of external devices.
- Ground the shield at a single point.
- Connect the connection cable shield to one of the FG terminals of the external device.

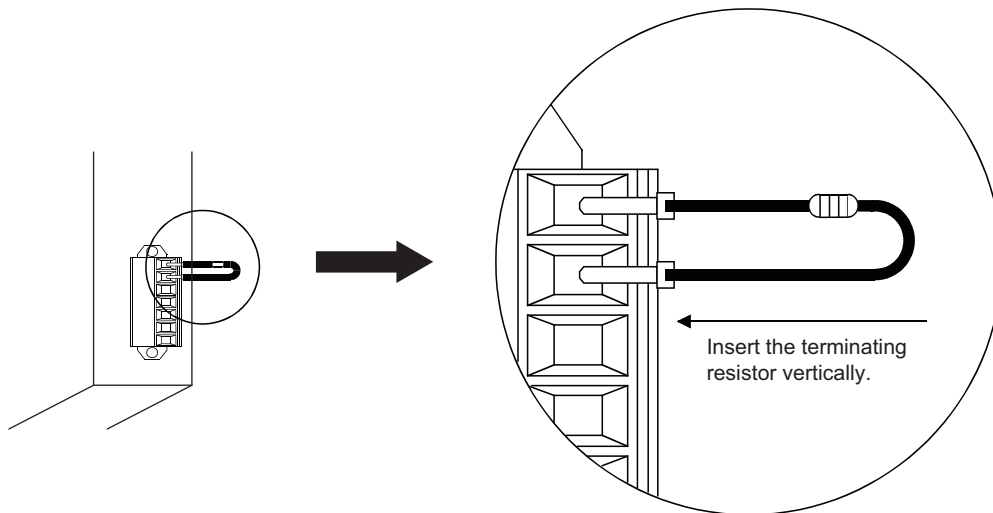
(a) Data cannot be communicated properly due to external noise.

- Connect between the FG terminals of both stations using the connection cable shield. However, for external devices, refer to the operation manual on the external devices to connect them.
- Connect the FG terminal of the RS-422/485 adapter to the FG terminal of the power supply module connected to the RS-422/485 adapter or to the FG terminal of the control panel equipped with the programmable controller system fitted with the RS-422/485 adapter.
- Connect a pair of signals nnA and nnB for the connection cable.



(b) Terminating resistor

The terminating resistors must be connected or configured to both end stations on the circuit. The terminating resistor included with the RS-422/485 adapter must be connected to the RS-422/485 adapter, so that it can match the specifications of external devices. For the external device side, connect or configure the terminating resistor according to the manual on the external device.



The following table lists the terminating resistors to be connected to the RS-422/485 adapter.

Communication	Terminating resistor
RS-422	330Ω 1/4W (color code: Orange-Orange-Brown-Gold)
RS-485	110Ω 1/2W (color code: Brown-Brown-Brown-Gold)

(c) No communication with external devices is possible.

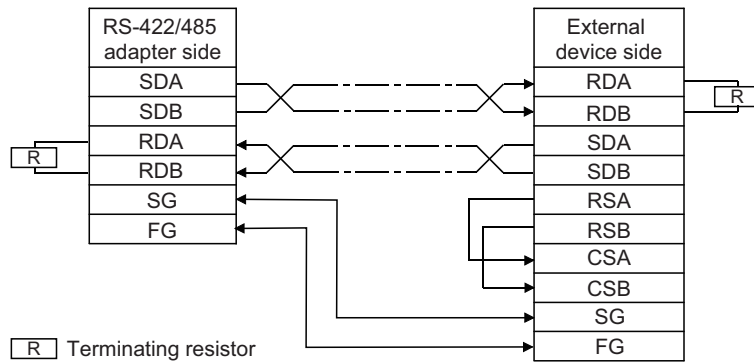
Recheck the polarity of the external device.

If the polarity of the RS-422/485 adapter and external device does not match, data communication may be restored by connecting cables with the polarity of each signal reversed at one of external devices.

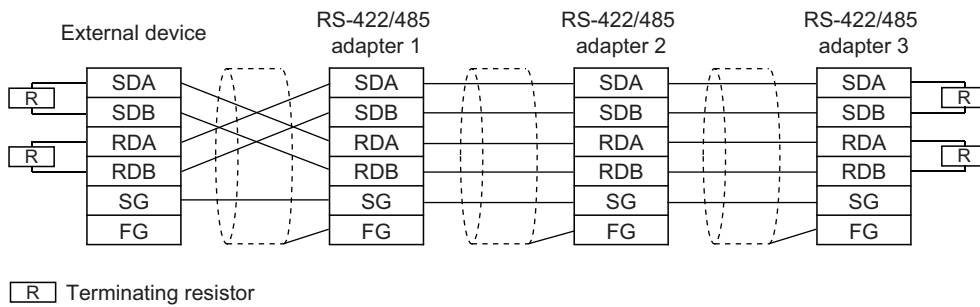
The connecting devices to the RS-422/485 adapter must be unified to RS-422 or RS-485, including 1:n, n:1, and m:n.

(4) Wiring example

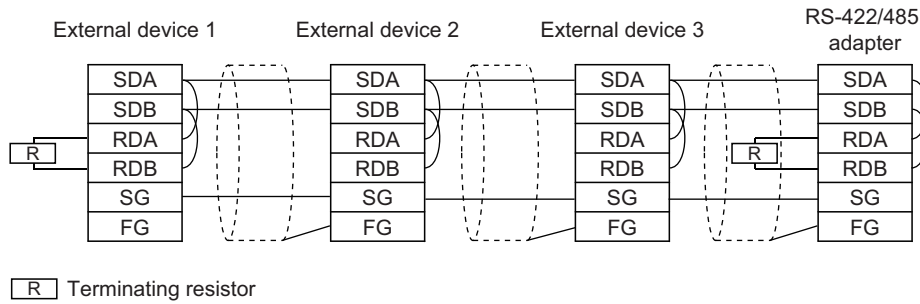
(a) Connecting the external device on a one-to-one (1:1) basis



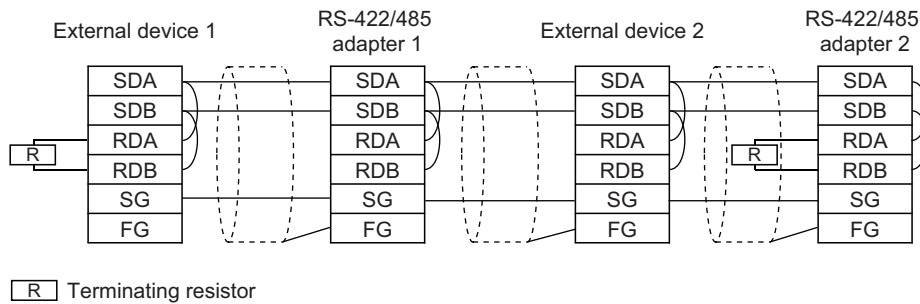
(b) Connecting the external device on a one-to-n (1:n) basis



(c) Connecting the external device on a n-to-one (n:1) basis



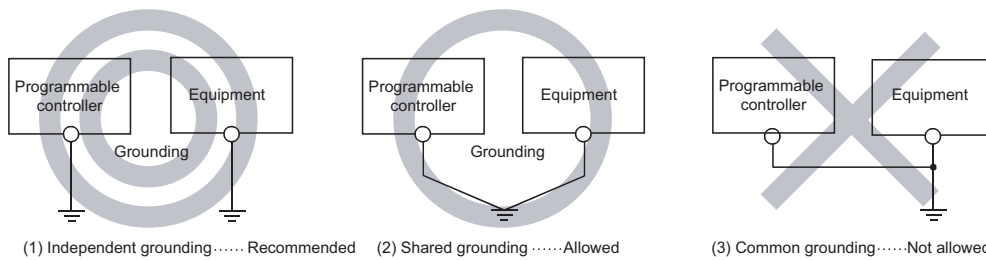
(d) Connecting the external device on a m-to-n (m:n) basis



4.3.8 Grounding

Observe the following:

- Provide independent grounding when possible. Ground the FG and LG terminals to the protective ground conductor dedicated to the programmable controller (ground resistance: 100Ω or less).
- If independent grounding cannot be provided, employ (2) Shared grounding shown below.



- Use thick cables up to 2mm². Bring the grounding point close to the programmable controller as much as possible so that the ground cable can be shortened.

CHAPTER 5 GENERAL SPECIFICATIONS

This chapter describes the general specifications of a programmable controller.

Item	Specifications					
Operating ambient temperature	0 to 55°C					
Storage ambient temperature	-25 to 75°C					
Operating ambient humidity	5 to 95%RH, non-condensing					
Storage ambient humidity						
Vibration resistance	Compliant with JIS B 3502 and IEC 61131-2	Under intermittent vibration	Frequency	Constant acceleration	Half amplitude	Sweep count
			5 to 8.4Hz	—	3.5mm	10 times each in X, Y, and Z directions
		8.4 to 150Hz	9.8m/s ²	—		
		Under continuous vibration	5 to 8.4Hz	—	1.75mm	—
8.4 to 150Hz	4.9m/s ²	—				
Shock resistance	Compliant with JIS B 3502 and IEC 61131-2 (147m/s ² , 3 times each in X, Y, and Z directions)					
Operating atmosphere	No corrosive gases					
Operating altitude* ¹	0 to 2000m					
Installation location	Inside a control panel					
Overvoltage category* ²	II or less					
Pollution degree* ³	2 or less					
Equipment class	Class I					

*1 Do not use or store the programmable controller under pressure higher than the atmospheric pressure of altitude 0m. Doing so may cause malfunction. When using the programmable controller under pressure, please consult your local Mitsubishi Electric representative.

*2 This indicates the section of the power supply to which the equipment is assumed to be connected between the public electrical power distribution network and the machinery within premises. Category II applies to equipment for which electrical power is supplied from fixed facilities. The surge voltage withstand level for up to the rated voltage of 300V is 2500V.

*3 This index indicates the degree to which conductive material is generated in terms of the environment in which the equipment is used. Pollution level 2 is when only non-conductive pollution occurs. A temporary conductivity caused by condensing must be expected occasionally.



To make the programmable controller comply with the EMC and Low Voltage Directives, refer to Page 457, Appendix 9.

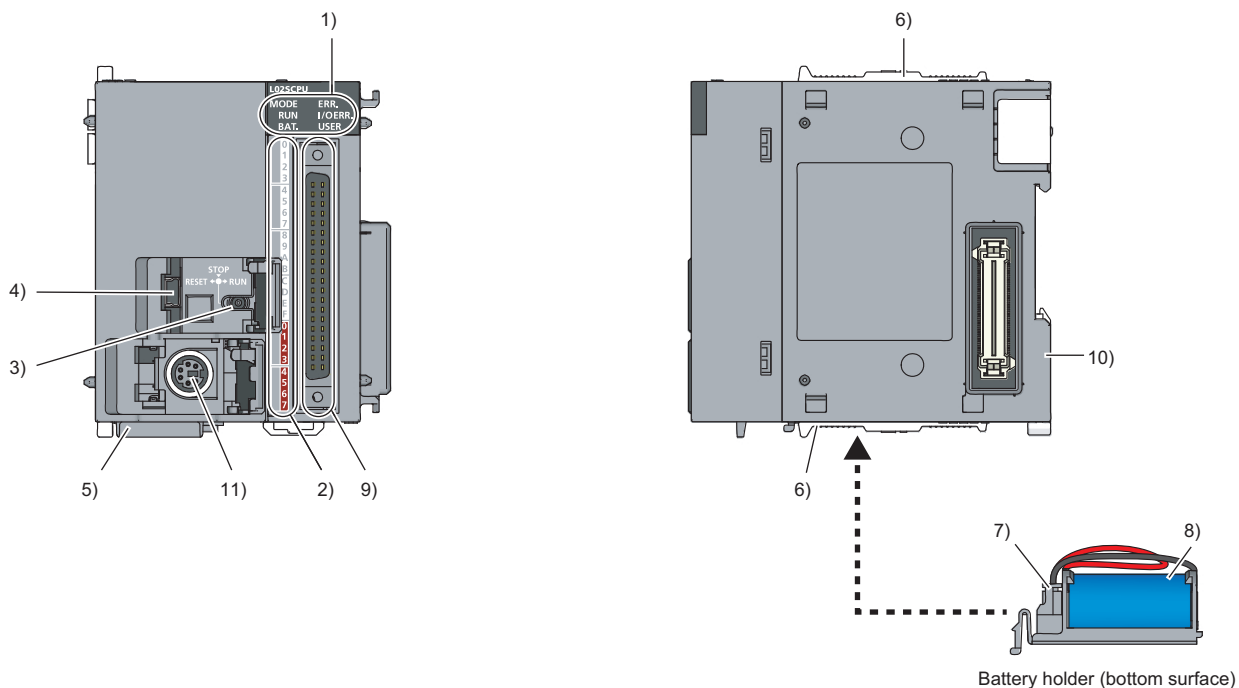
Memo

CHAPTER 6 CPU MODULE


This chapter describes the specifications and hardware operation of a CPU module.

6.1 Part Names

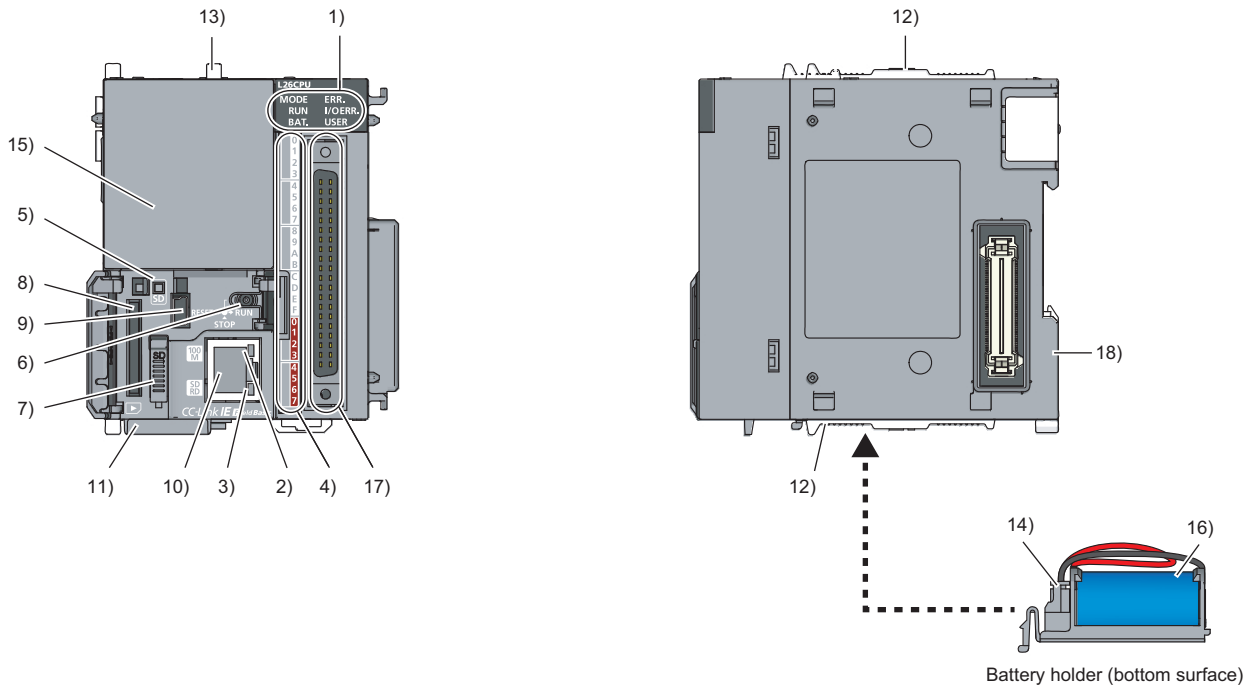
(1) L02SCPU, L02SCPU-P



No.	Name	Application	
1)	MODE LED	—	Indicates the mode of the CPU module.
		On (green)	Normal operation mode
		Flashing (green)	Forced mode (Flashes when the forced on/off function for external I/O or the executional conditioned device test function is active.*1)
	RUN LED	—	Indicates the operating status of the CPU module.
		On (green)	Operating normally
		Flashing (green)	Write to PLC is executed when the CPU module is in the STOP state, and the module is switched to RUN without resetting.
	BAT. LED	Off	Stopped, or a stop error is detected.
		—	Indicates the battery status or latch data backup status of the CPU module.
		On (green)	Restoration of latch data backup to the standard ROM is completed (5 seconds).
		Flashing (green)	Latch data backup to the standard ROM is completed.
	ERR. LED	Flashing (yellow)	A battery error occurs.
		Off	Operating normally
		—	Indicates the error detection status of the CPU module.
		On (red)	A continuation error is detected.
	I/O ERR. LED	Flashing (red)	A stop error is detected, or the CPU module is reset.
		Off	Operating normally
		—	Indicates the error detection status of the built-in I/O function.
	USER LED	On (red)	An error occurs in the built-in I/O function.
		Off	Operating normally
		—	Indicates the status of the annunciator (F).
	2)	IN 0 to IN F LED	On (red)
Off			The CPU module is operating normally or the annunciator (F) is inactive.
—			Indicates the input status.
OUT 0 to OUT 7 LED		On (green)	The input signal is on.
		Off	The input signal is off.
		—	Indicates the output status.
3)	RUN/STOP/RESET switch	On (green)	The output signal is on.
		Off	The output signal is off.
		RUN	Indicates the operation execution of a program.
		STOP	Indicates the operation stop of a program.
4)	USB connector	RESET	Indicates that the CPU module is reset. (Page 76, Section 6.3.2)
		—	A switch to control the operating status of the CPU module
5)	Serial number marking	A connector to connect to USB-compatible peripherals (Connector type: miniB)	
6)	Module joint levers	Shows the serial number printed on the rating plate.	
7)	Battery connector pin	Levers for connecting two modules	
8)	Battery	A pin to connect a lead wire of the battery (To save the battery, the lead wire is removed from the connector before shipment.)	
9)	Connectors for external devices (40 pins)	A battery for backup when using the standard RAM or the backup power function	
10)	DIN rail hook	A connector to connect I/O signal wires from/to external devices	
11)	RS-232 connector	A hook used to mount the module to a DIN rail	
		A connector to connect to RS-232 communication devices	


*1 For details on LED when using each function, refer to description of the function in the following manual.
 MELSEC-L CPU Module User's Manual (Function Explanation, Program Fundamentals)

(2) L02CPU, L02CPU-P, L06CPU, L06CPU-P, L26CPU, L26CPU-P

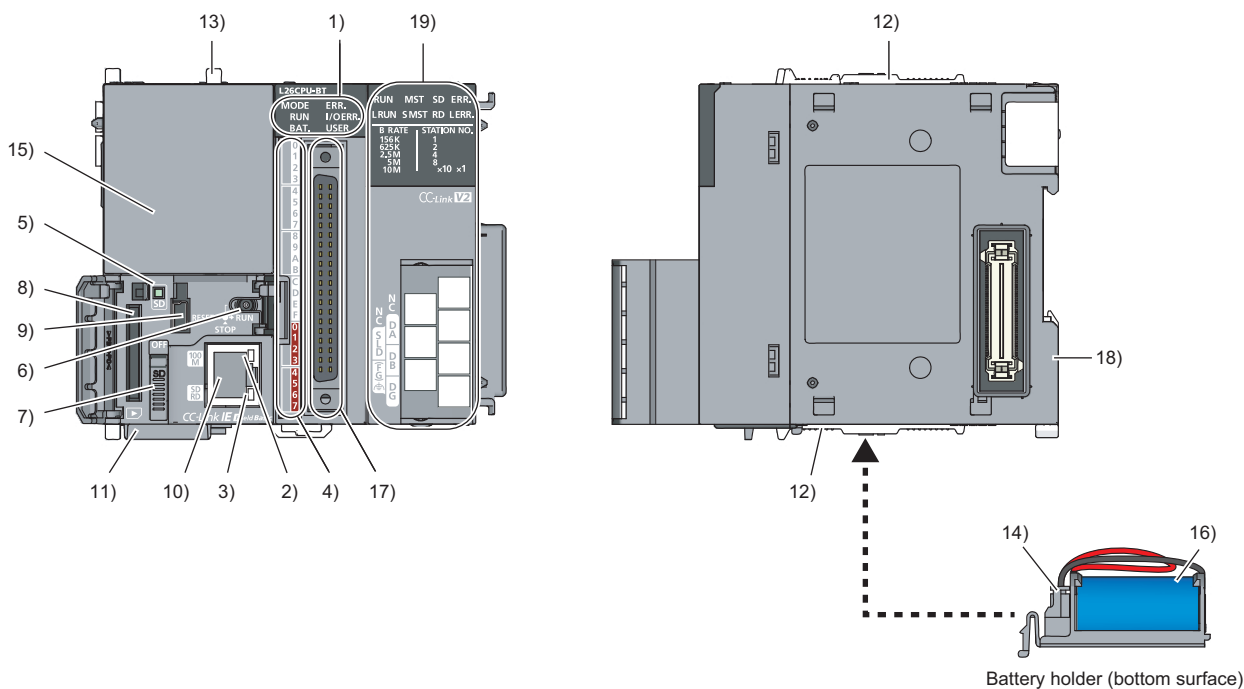


No.	Name	Application	
1)	MODE LED	—	Indicates the mode of the CPU module. (Also used when the CPU module change function or the project data batch save/load function with an SD memory card is active.*1)
		On (green)	Normal operation mode
		Flashing (green)	Forced mode (Flashes when the forced on/off function for external I/O or the executional conditioned device test function is active.*1)
	RUN LED	—	Indicates the operating status of the CPU module.
		On (green)	Operating normally
		Flashing (green)	Write to PLC is executed when the CPU module is in the STOP state, and the module is switched to RUN without resetting.
	BAT. LED	—	Indicates the battery status or latch data backup status of the CPU module. (Also used when the CPU module change function or the project data batch save/load function with an SD memory card is active.*1)
		On (green)	Restoration of latch data backup to the standard ROM is completed (5 seconds).
		Flashing (green)	Latch data backup to the standard ROM is completed.
		Flashing (yellow)	A battery error occurs.
	ERR. LED	Off	Operating normally
		—	Indicates the error detection status of the CPU module.
		On (red)	A continuation error is detected.
	I/O ERR. LED	Flashing (red)	A stop error is detected, or the CPU module is reset.
		Off	Operating normally
		—	Indicates the error detection status of the built-in I/O function.
	USER LED	On (red)	An error occurs in the built-in I/O function.
		Off	Operating normally
		—	Indicates the status of the annunciator (F). (Also used when the CPU module change function or the project data batch save/load function with an SD memory card is active.*1)
		On (red)	The annunciator (F) is on.
		Off	The CPU module is operating normally or the annunciator (F) is inactive.


No.	Name	Application	
2)	100M LED	—	Indicates the data transmission speed over Ethernet.
		On (green)	Communicates at 100Mbps.
		Off	Communicates at 10Mbps, or no connection is established.
3)	SD/RD LED	—	Indicates the data send/receive status over Ethernet.
		On (green)	Data is being sent or being received.
		Off	No data is sent or received.
4)	IN 0 to IN F LED	—	Indicates the input status.
		On (green)	The input signal is on.
		Off	The input signal is off.
	OUT 0 to OUT 7 LED	—	Indicates the output status.
		On (green)	The output signal is on.
		Off	The output signal is off.
5)	SD LED	—	Indicates the status of an SD memory card. (Also used in the data logging function.*1)
		On (green)	An SD memory card is being used.
		Flashing (green)	An SD memory card is being prepared.
		Off	No SD memory card is used.
6)	RUN/STOP/RESET switch	—	A switch to control the operating status of the CPU module
		RUN	Indicates the operation execution of a program.
		STOP	Indicates the operation stop of a program.
		RESET	Indicates that the CPU module is reset. (Page 76, Section 6.3.2)
7)	SD memory card lock switch	A switch to stop card access while an SD memory card is being inserted or removed	
8)	SD memory card slot	A slot where an SD memory card is inserted	
9)	USB connector	A connector to connect to USB-compatible peripherals (Connector type: miniB)	
10)	Built-in Ethernet port	A connector to connect to Ethernet devices. (RJ45 connector) Use a twisted pair cable for Ethernet to connect an Ethernet device.	
11)	Serial number marking	Shows the serial number printed on the rating plate.	
12)	Module joint levers	Lever for connecting two modules	
13)	Display unit hook	A hook to fix a display unit to the CPU module	
14)	Battery connector pin	A pin to connect a lead wire of the battery (To save the battery, the lead wire is removed from the connector before shipment.)	
15)	Display unit dummy cover	A dummy cover used when no display unit is connected	
16)	Battery	A battery for backup when using the standard RAM or the backup power function	
17)	Connectors for external devices (40 pins)	A connector to connect I/O signal wires from/to external devices	
18)	DIN rail hook	A hook used to mount the module to a DIN rail	


*1 For details on LED when using each function, refer to description of the function in the following manual.
 MELSEC-L CPU Module User's Manual (Function Explanation, Program Fundamentals)

(3) L26CPU-BT, L26CPU-PBT



No.	Name		Application
1)	MODE LED	—	Indicates the mode of the CPU module. (Also used when the CPU module change function or the project data batch save/load function with an SD memory card is active.*1)
		On (green)	Normal operation mode
		Flashing (green)	Forced mode (Flashes when the forced on/off function for external I/O or the executional conditioned device test function is active.*1)
	RUN LED	—	Indicates the operating status of the CPU module.
		On (green)	Operating normally
		Flashing (green)	Write to PLC is executed when the CPU module is in the STOP state, and the module is switched to RUN without resetting.
		Off	Stopped, or a stop error is detected.
	BAT. LED	—	Indicates the battery status or latch data backup status of the CPU module. (Also used when the CPU module change function or the project data batch save/load function with an SD memory card is active.*1)
		On (green)	Restoration of latch data backup to the standard ROM is completed (5 seconds).
		Flashing (green)	Latch data backup to the standard ROM is completed.
		Flashing (yellow)	A battery error occurs.
		Off	Operating normally
	ERR. LED	—	Indicates the error detection status of the CPU module.
		On (red)	A continuation error is detected.
		Flashing (red)	A stop error is detected, or the CPU module is reset.
		Off	Operating normally
	I/O ERR. LED	—	Indicates the error detection status of the built-in I/O function.
		On (red)	An error occurs in the built-in I/O function.
		Off	Operating normally
	USER LED	—	Indicates the status of the annunciator (F). (Also used when the CPU module change function or the project data batch save/load function with an SD memory card is active.*1)
		On (red)	The annunciator (F) is on.
Off		The CPU module is operating normally or the annunciator (F) is inactive.	

No.	Name	Application	
2)	100M LED	—	Indicates the data transmission speed over Ethernet.
		On (green)	Communicates at 100Mbps.
		Off	Communicates at 10Mbps, or no connection is established.
3)	SD/RD LED	—	Indicates the data send/receive status over Ethernet.
		On (green)	Data is being sent or being received.
		Off	No data is sent or received.
4)	IN 0 to IN F LED	—	Indicates the input status.
		On (green)	The input signal is on.
		Off	The input signal is off.
	OUT 0 to OUT 7 LED	—	Indicates the output status.
		On (green)	The output signal is on.
		Off	The output signal is off.
5)	SD LED	—	Indicates the status of an SD memory card. (Also used in the data logging function.*1)
		On (green)	An SD memory card is being used.
		Flashing (green)	An SD memory card is being prepared.
		Off	No SD memory card is used.
6)	RUN/STOP/RESET switch	—	A switch to control the operating status of the CPU module
		RUN	Indicates the operation execution of a program.
		STOP	Indicates the operation stop of a program.
		RESET	Indicates that the CPU module is reset. (Page 76, Section 6.3.2)
7)	SD memory card lock switch	A switch to stop card access while an SD memory card is being inserted or removed	
8)	SD memory card slot	A slot where an SD memory card is inserted	
9)	USB connector	A connector to connect to USB-compatible peripherals (Connector type: miniB)	
10)	Built-in Ethernet port	A connector to connect to Ethernet devices. (RJ45 connector) Use a twisted pair cable for Ethernet to connect an Ethernet device.	
11)	Serial number marking	Shows the serial number printed on the rating plate.	
12)	Module joint levers	Levers for connecting two modules	
13)	Display unit hook	A hook to fix a display unit to the CPU module	
14)	Battery connector pin	A pin to connect a lead wire of the battery (To save the battery, the lead wire is removed from the connector before shipment.)	
15)	Display unit dummy cover	A dummy cover used when no display unit is connected	
16)	Battery	A battery for backup when using the standard RAM or the backup power function	
17)	Connectors for external devices (40 pins)	A connector to connect I/O signal wires from/to external devices	
18)	DIN rail hook	A hook used to mount the module to a DIN rail	
19)	Built-in CC-Link	An area to configure CC-Link system. For details, refer to the following manual.  MELSEC-L CC-Link System Master/Local Module User's Manual	

*1 For details on LED when using each function, refer to description of the function in the following manual.
 MELSEC-L CPU Module User's Manual (Function Explanation, Program Fundamentals)

6.2 Specifications

This section describes the specifications of a CPU module.

(1) Hardware specifications

Item		L02SCPU, L02SCPU-P	L02CPU, L02CPU-P	L06CPU, L06CPU-P	L26CPU, L26CPU-P	L26CPU-BT, L26CPU-PBT	
Control method		Stored program cyclic operation					
I/O control mode		Refresh mode (The direct access input/output is available by specifying the direct access input/output (DX, DY).)					
Programming language (sequence control language)		Function block, relay symbol language, MELSAP3 (SFC), MELSAP-L, structured text (ST), logic symbolic language					
Processing speed (sequence instruction)	LD X0	60ns	40ns	9.5ns			
	MOV D0 D1	120ns	80ns	19ns			
Constant scan		0.5 to 2000ms (Setting is available in increments of 0.5ms by parameter.)					
Program size		20K steps (80K bytes)		60K steps (240K bytes)	260K steps (1040K bytes)		
Memory capacity	Program memory (drive 0)	80K bytes		240K bytes	1040K bytes		
	Memory card (RAM) (drive 1)	—					
	Memory card (ROM) (drive 2)	—	Capacity of the inserted SD memory card (SD/SDHC)				
	Standard RAM (drive 3)	128K bytes		768K bytes			
	Standard ROM (drive 4)	512K bytes		1024K bytes	2048K bytes		
Maximum number of files stored	Program memory	64 files		124 files	252 files		
	Memory card (RAM)	—					
	Memory card (ROM)	SD	—	Root directory: 511 files (maximum) ^{*1} Subdirectory: 65533 files (maximum) ^{*1}			
		SDHC	—	Root directory: 65534 files (maximum) ^{*1} Subdirectory: 65533 files (maximum) ^{*1}			
	Standard RAM	4 files (each one of the following files: file register file, local device file, sampling trace file, and module error collection file)					
	Standard ROM	128 files		256 files			
Maximum number of intelligent function module parameters	Initial setting	2048 parameters		4096 parameters			
	Refresh	1024 parameters		2048 parameters			
Number of writes to program memory		100000 times (maximum)					
Number of writes to standard ROM		100000 times (maximum)					
Built-in I/O function		📖MELSEC-L CPU Module User's Manual (Built-In I/O Function)					
Built-in Ethernet function		—	📖MELSEC-L CPU Module User's Manual (Built-In Ethernet Function)				
Built-in CC-Link function		—				📖MELSEC-L CC-Link System Master/Local Module User's Manual	
Clock function	Displayed information	Year, month, date, hour, minute, second, and day of the week (automatic leap year adjustment)					
	Accuracy	0°C: -2.96 to + 3.74s (TYP. + 1.42s) per day 25°C: -3.18 to + 3.74s (TYP. + 1.50s) per day 55°C: -13.20 to + 2.12s (TYP. + 3.54s) per day					
Allowable momentary power failure time		Depends on the power supply module used.					
Internal current consumption (5VDC)	With display unit	—	1.00A	1.06A		1.43A	
	Without display unit	0.75A	0.94A	1.00A		1.37A	

Item		L02SCPU, L02SCPU-P	L02CPU, L02CPU-P	L06CPU, L06CPU-P	L26CPU, L26CPU-P	L26CPU-BT, L26CPU-PBT
External dimensions	H	90mm				
	W	70mm				98.5mm
	D	95mm				
Weight		0.32kg	0.37kg			0.47kg


*1 Numbers of total files (including system files) that can be created when a file or a folder is named with 13 characters (including the extension) or less. Note that the maximum number of files is decreased when the number of characters of the file or folder name exceed 13 characters, or when the file or folder name includes lower case characters.

(2) Device specifications

Item	L02SCPU, L02SCPU-P, L02CPU, L02CPU-P	L06CPU, L06CPU-P, L26CPU, L26CPU-P, L26CPU-BT, L26CPU-PBT	
Number of I/O device points (number of points available on a program)	8192 points (X/Y0 to X/Y1FFF)		
Number of I/O points	1024 points (X/Y0 to X/Y3FF)	4096 points (X/Y0 to X/YFFF)	
Internal relay (M)	8192 points (M0 to M8191) by default (changeable)		
Latch relay (L)	8192 points (L0 to L8191) by default (changeable)		
Link relay (B)	8192 points (B0 to B1FFF) by default (changeable)		
Timer (T)	2048 points (T0 to T2047) by default (changeable) (Low-speed and high-speed timers available) Low-speed or high-speed is specified by an instruction. The measurement unit is set by parameter. (Low-speed timer: 1 to 1000ms (in increments of 1ms), default: 100ms) (High-speed timer: 0.1 to 100ms (in increments of 0.1ms), default: 10ms)		
Retentive timer (ST)	0 points by default (changeable) (Low-speed and high-speed retentive timers available) Low-speed or high-speed is specified by an instruction. The measurement unit is set by parameter. (Low-speed retentive timer: 1 to 1000ms (in increments of 1ms), default: 100ms) (High-speed retentive timer: 0.1 to 100ms (in increments of 0.1ms), default: 10ms)		
Counter (C)	Normal counter 1024 points (C0 to C1023) by default (changeable)		
Data register (D)	12288 points (D0 to D12287) by default (changeable)		
Extended data register (D)	32768 points (D12288 to D45055) by default (changeable)	131072 points (D12288 to D143359) by default (changeable)	
Link register (W)	8192 points (W0 to W1FFF) by default (changeable)		
Extended link register (W)	0 points by default (changeable)		
Annunciator (F)	2048 points (F0 to F2047) by default (changeable)		
Edge relay (V)	2048 points (V0 to V2047) by default (changeable)		
Link special relay (SB)	2048 points (SB0 to SB7FF) by default (changeable)		
Link special register (SW)	2048 points (SW0 to SW7FF) by default (changeable)		
File register	(R)	32768 points (R0 to R32767) (Maximum 65536 points are available by switching blocks.)	32768 points (R0 to R32767) (Maximum 393216 points are available by switching blocks.)
	(ZR)	65536 points (ZR0 to ZR65535) (Blocks do not need to be switched.)	393216 points (ZR0 to ZR393215) (Blocks do not need to be switched.)
Step relay (S)	8192 points (S0 to S8191) by default		
Index register/standard device register (Z)	20 points (Z0 to Z19) (maximum)		
Index register (Z) (32-bit index modification of ZR device)	10 points (Z0 to Z18) (maximum) (The index register is used as a double-word device.)		
Pointer (P)	4096 points (P0 to P4095) (The local pointer range and the common pointer range can be set by parameter.)		
Interrupt pointer (I)	256 points (I0 to I255) (The fixed scan interval for the system interrupt pointer I28 to I31 can be set by parameter.) 0.5 to 1000ms (in increments of 0.5ms) Default I28: 100ms, I29: 40ms, I30: 20ms, I31: 10ms		
Special relay (SM)	2048 points (SM0 to SM2047) (The number of device points is fixed.)		
Special register (SD)	2048 points (SD0 to SD2047) (The number of device points is fixed.)		
Function input (FX)	16 points (FX0 to FXF) (The number of device points is fixed.)		
Function output (FY)	16 points (FY0 to FYF) (The number of device points is fixed.)		
Function register (FD)	5 points (FD0 to FD4) (The number of device points is fixed.)		
Link direct device	Device that directly accesses the link device of a network module Specification format: J□□\X□□, J□□\Y□□, J□□\SB□□, J□□\W□□, J□□\SW□□		
Intelligent function module device	Device that directly accesses the buffer memory of an intelligent function module Specification format: U□□\G□□		
Latch (data retention during power failure) range	8192 points (L0 to L8191) by default (The latch range can be set for the devices, B, F, V, T, ST, C, D, W, and R by parameter.)		

Point 

For details on the devices, refer to the following.

 MELSEC-L CPU Module User's Manual (Function Explanation, Program Fundamentals)

6.3 Hardware Operation

This section describes the hardware operation of a CPU module.

6.3.1 Switch operation after a program is written to the CPU module

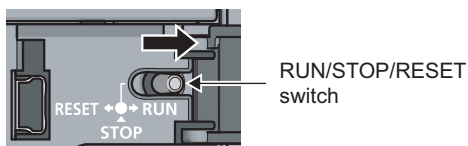
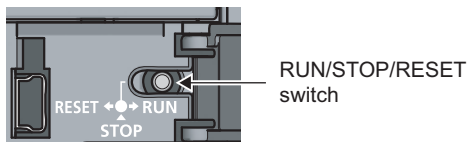
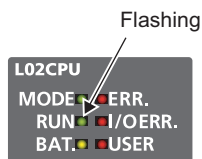
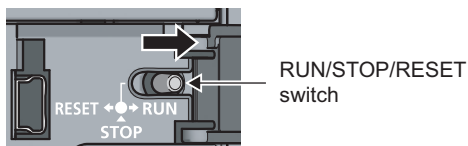
This section describes the switch operation after a program is written to the CPU module.

(1) When a program is written to the CPU module in the STOP status^{*1}

(a) Run the CPU module, clearing data in the device memory

Reset the CPU module. (☞ Page 76, Section 6.3.2)

(b) Run the CPU module, retaining data in the device memory



1. Set the RUN/STOP/RESET switch to the RUN position.

2. Check that the RUN LED flashes.

3. Set the RUN/STOP/RESET switch to the STOP position.

4. Set the RUN/STOP/RESET switch to the RUN position again.

(2) When a program is written to the CPU module in the RUN status (online change)^{*1}

The switch operation is not required. Data in the device memory is not cleared.

- *1 When a program is written to the program memory during boot operation, write the same program to the boot source memory. If not written, an old program will be executed at next boot operation. For details on the boot operation, refer to the following.

📖 MELSEC-L CPU Module User's Manual (Function Explanation, Program Fundamentals)

Point

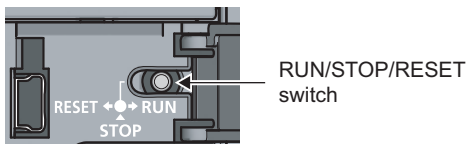
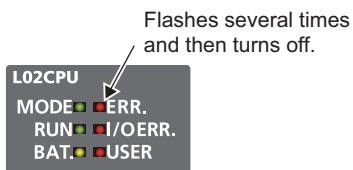
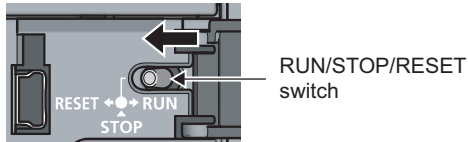
When a program is written to the CPU module which has been stopped by the remote STOP operation from a programming tool, the CPU module runs by the remote RUN operation from the programming tool. Therefore, the switch operation is not required. For details on the programming tool, refer to the following.

📖 Operating manual of the programming tool used

6.3.2 Reset operation

A CPU module can be reset using the RUN/STOP/RESET switch. However, setting the RUN/STOP/RESET switch to the RESET position will not immediately reset the CPU module.

(1) Procedure



1. Hold the RUN/STOP/RESET switch in the RESET position for 1 second or more.

Do not release your hand from the switch while the switch is in the RESET position.

2. Check that the ERR. LED flashes several times and then turns off.

3. Set the RUN/STOP/RESET switch to the STOP position.

The switch automatically returns to the STOP position when your hand is released.

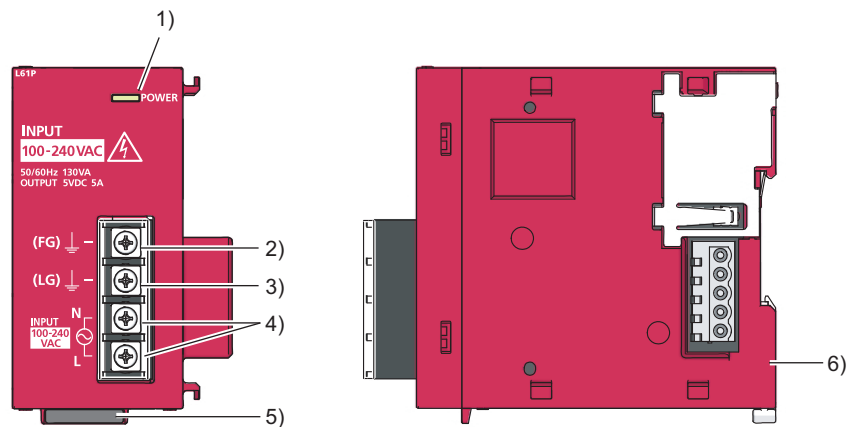
Point

Operate the RUN/STOP/RESET switch with your fingers. Use of a tool such as a screw driver may damage the switch.

CHAPTER 7 POWER SUPPLY MODULE

This chapter describes the specifications of a power supply module.

7.1 Part Names



No.	Name	Application
1)	POWER LED	Indicates the power supply status. On (green): The module is operating normally. Off: Power is not supplied, power has failed, or the hardware has failed.
2)	FG terminal	Ground terminal connected to the shield pattern of the printed-circuit board (M3.5)
3)	LG terminal	Ground terminal for the power supply filter. For AC input, it has one-half the potential of the input voltage. (M3.5)
4)	Power input terminals	Input terminals for power (M3.5) For power to be connected, refer to Page 78, Section 7.2.1.
5)	Serial number marking	Shows the serial number printed on the rating plate.
6)	DIN rail hook	A hook used to mount the module to a DIN rail

7.2 Specifications

7.2.1 Specification list

Item	L61P	L63P	L63SP
Input power supply ^{*1}	100 to 240VAC (-15% to +10%)	24VDC (-35% to +30%)	
Input frequency	50/60Hz (-5% to +5%)	—	
Input voltage distortion	Within 5%	—	
Maximum input apparent power	130VA	—	
Maximum input power	—	45W	
Inrush current ^{*1}	20A, within 8ms	100A, within 1ms (24VDC input)	
Rated output current (5VDC)	5A		
External output voltage	—		
Overcurrent protection (5VDC) ^{*1}	5.5A or more		
Overvoltage protection ^{*1}	5.5 to 6.5V		
Efficiency	70% or more		
Allowable momentary power failure time ^{*1}	Within 10ms	Within 10ms (24VDC input)	
Withstand voltage	2300VAC per minute (altitude 0 to 2000m) (Between the combined "line input/LG terminals" and the "FG terminal and output")	510VAC per minute (altitude 0 to 2000m) (Between the combined "line input/LG terminals" and the "FG terminal and output")	— ^{*2}
Insulation resistance	10MΩ or higher by 500VDC insulation resistance tester (Between the combined "line input/LG terminals" and the "FG terminal and output", the line input and LG terminals, the output and FG terminals)		— ^{*2}
Noise immunity	<ul style="list-style-type: none"> • By noise simulator of 1500Vp-p noise voltage, 1μs noise width, and 25 to 60Hz noise frequency • Noise voltage IEC 61000-4-4, 2kV 	<ul style="list-style-type: none"> • By noise simulator of 500Vp-p noise voltage, 1μs noise width, and 25 to 60Hz noise frequency • Noise voltage IEC 61000-4-4, 2kV 	
Operation indication	LED (Normal: On (green), Error: Off)		
Fuse	Built-in (User-unchangeable)		
Terminal screw size	M3.5		
Applicable wire size	0.75 to 2mm ²		
Applicable solderless terminal	RAV1.25-3.5, RAV2-3.5, thickness 0.8mm or less, up to two solderless terminals can be connected to one terminal.		
Applicable tightening torque	0.66 to 0.89N-m		
External dimensions	H	90mm	
	W	45mm	29mm
	D	95mm	
Weight	0.32kg	0.29kg	0.19kg

*1 For details on the items, refer to  Page 79, Section 7.2.2.

*2 Between primary side (24VDC) and secondary side (5VDC) is non-insulated.

7.2.2 Details on items in specifications

This section describes details on the items in the specifications.

(1) Overcurrent protection

Overcurrent protection works as a protection function to shut off the circuit and stop the system when the current exceeding the specified value flows into the 5VDC circuit.

The POWER LED of the power supply module turns off due to no voltage supply when this function is activated. To restart the system, shut off the power and remove the cause of the problem, such as insufficient current or short-circuit.

After the cause is removed, wait for a few minutes and then supply power to the system again. When the output current is back to normal, the system starts initially.

(2) Overvoltage protection

Overvoltage protection works as a protection function to shut off the circuit and stop the system when the voltage of 5.5VDC or higher is applied to the 5VDC circuit.

The POWER LED of the power supply module turns off when this function is activated.

To restart the system, shut off the power, wait for a few minutes, and then supply power to the system again. Then, the system starts initially.

If the system does not restart and the POWER LED remains off, replace the power supply module.

(3) Allowable momentary power failure time

The system detects an input voltage down and stops its operation when a momentary power failure occurs. Allowable momentary power failure time is the period of time that the system can continue its operation after power is restored.

If power fails exceeding this period of time, the system can either continue its operation or start initially, depending on the load of the power supply module. When the system continues its operation, the operation will be the same as that of the system returned within the allowable momentary power failure time.

(4) Inrush current

Inrush current is the maximum, instantaneous input current drawn into the circuits immediately after power-on. If power is supplied to the system immediately after shut-off, an inrush current of more than the specified value may flow.

Wait for 5 or more seconds after shut-off and then supply power to the system again.

When selecting a fuse or breaker for the external circuit, consider blowouts, sensing property, and descriptions in this section.

(5) Input voltage

Input voltage is a voltage required for the power supply module to operate normally. If the input voltage is out of the specified range, an error is detected and the system may stop.

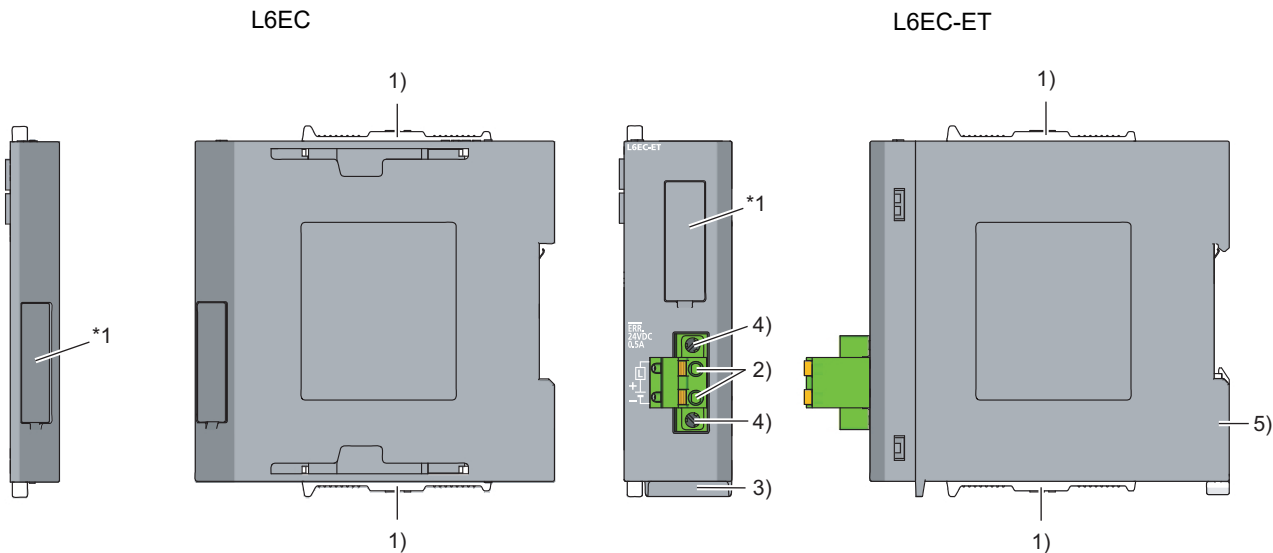
7.2.3 Precautions for power capacity

Select a power supply having enough power for a power supply module. (For an AC power supply module, the power capacity should be twice or more as great as the current consumption of the power supply module, and four times or more for a DC power supply module.)

CHAPTER 8 END COVER

This chapter describes the specifications of an END cover.

8.1 Part Names



*1 Do not remove this label because it is for maintenance.

No.	Name	Application
1)	Module joint levers	Levers for connecting two modules
2)	$\overline{\text{ERR}}$. terminal	Contact output terminals for error detection Turns on when all systems run normally. Turns off (opens) when power is off or when a stop error occurs on the CPU module (including when a CPU module is reset).
3)	Serial number marking	Shows the serial number printed on the rating plate.
4)	Terminal block mounting screw	A screw used to mount or remove a terminal block
5)	DIN rail hook	A hook used to mount the module to a DIN rail

Point

When the L6EC-ET is connected to an extension block, a system error cannot be detected using the $\overline{\text{ERR}}$. terminal. (The $\overline{\text{ERR}}$. terminal is always off.)


8.2 Specifications

(1) Performance specifications

Item		L6EC	L6EC-ET
ERR. terminal	—	—	Available (☞ Page 80, Section 8.1)
	Rated switching voltage, current	—	24VDC, 0.5A
	Minimum switching load	—	5VDC, 1mA
	Response time	—	OFF to ON: 10ms or less ON to OFF: 12ms or less
	Life	—	Mechanical: 20 million or more Electrical: 100 thousand or more for rated switching voltage and current
	Surge suppressor	—	None
	Fuse	—	None
External connection system		—	Spring clamp terminal block
Applicable wire size		—	0.3 to 2.0mm ² (22 to 14AWG) (Stranded wire/single wire)
Applicable solderless terminal		—	☞ Page 82, Section 8.2 (2)
External dimensions	H	90mm	90mm
	W	13mm	28.5mm
	D	95mm	95mm
Internal current consumption		0.04A	0.06A
Weight		0.06kg	0.11kg

(2) Applicable solderless terminals

The following table shows applicable solderless terminals for an $\overline{\text{ERR}}$ terminal of the L6EC-ET.

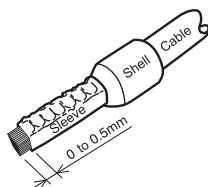
For wiring method, refer to  Page 49, Section 4.3.3.

Product name	Model name	Applicable wire size	Manufacturer
Bar solderless terminal	FA-VTC125T9	0.3 to 1.65mm ²	Mitsubishi Electric System & Service Co., Ltd.
Tool dedicated for bar solderless terminal* ¹	FA-NH65A	—	
Bar solderless terminal	AI0.5-10WH	0.5mm ²	Phoenix Contact GmbH & Co. KG
	AI0.75-10GY	0.75mm ²	
	AI1-10RD	1.0mm ²	
Tool dedicated for bar solderless terminal* ¹	CRIMPFOX UD6-4	—	
Bar solderless terminal	TE0.5-10	0.3 to 0.5mm ²	NICHIFU TERMINAL INDUSTRIES CO.,LTD.
	TE0.75-10	0.75mm ²	
	TE1.0-10	1.0mm ²	
Tool dedicated for bar solderless terminal* ¹	NH-79	—	

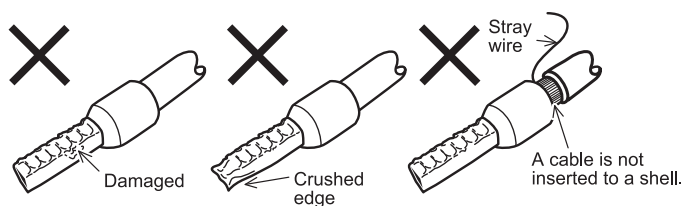
*¹ Use the same manufacturer for the bar solderless terminal and the tool dedicated for bar solderless terminal.

(a) Precautions for processing the cable end

- To use the bar terminal type with cable cores sticking out of the sleeve, insert the cable so that cable cores stick out by approximately 0 to 0.5mm from the sleeve edge.



- Check an appearance of the bar terminal after crimping it. Do not use the bar terminal if it is not crimped properly or the side is damaged.

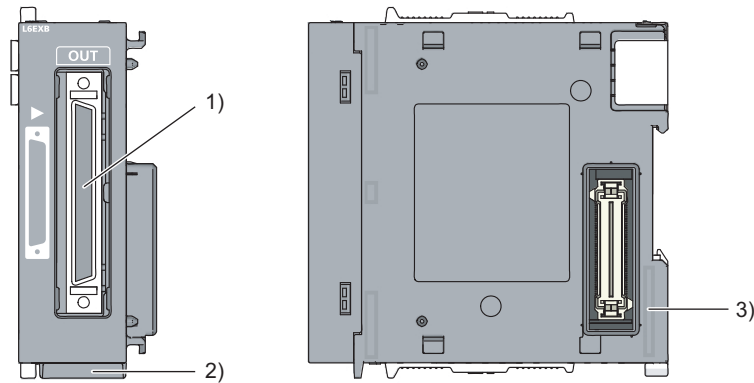


CHAPTER 9 BRANCH MODULE AND EXTENSION MODULE

This chapter describes the specifications of a branch module and an extension module.

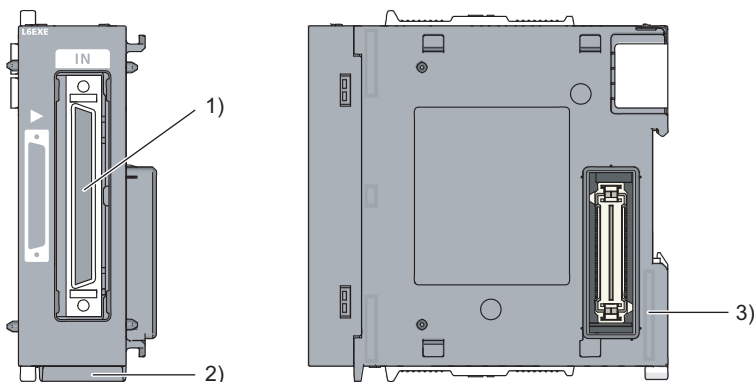
9.1 Part Names

(1) Branch module



No.	Name	Application
1)	Extension connector (OUT)	A connector for an extension cable (Signals are sent to and received from an extension module.)
2)	Serial number marking	Shows the serial number printed on the rating plate.
3)	DIN rail hook	A hook used to mount the module to a DIN rail

(2) Extension module



No.	Name	Application
1)	Extension connector (IN)	A connector for an extension cable (Signals are sent to and received from a branch module.)
2)	Serial number marking	Shows the serial number printed on the rating plate.
3)	DIN rail hook	A hook used to mount the module to a DIN rail

9.2 Specifications

Item		L6EXB	L6EXE
External dimensions	H	90mm	90mm
	W	28.5mm	28.5mm
	D	95mm	95mm
Internal current consumption		0.08A	0.08A
Weight		0.12kg	0.13kg

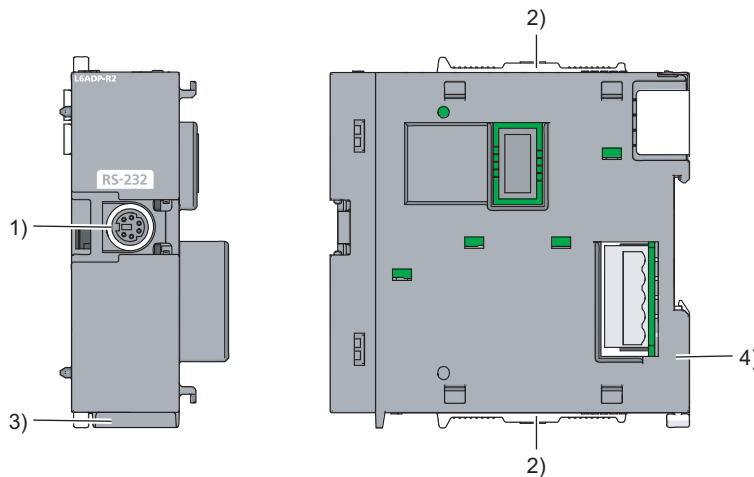
CHAPTER 10 RS-232 ADAPTER

This chapter describes the specifications of an RS-232 adapter.

Remark

- The RS-232 adapter cannot be mounted to the L02SCPU or L02SCPU-P.
- For connecting the RS-232 cable, refer to Page 56, Section 4.3.6.
- The RS-232 adapter is a module used in the following cases.
 - Connection with the programming tool or GOT
 - Communication with external devices using the predefined protocol function and serial communication function

10.1 Part Names



No.	Name	Application
1)	RS-232 connector	A connector for peripherals supporting RS-232
2)	Module joint levers	Levers for connecting two modules
3)	Serial number marking	Shows the serial number printed on the rating plate.
4)	DIN rail hook	A hook used to mount the module to a DIN rail

10.2 Specifications

Item		L6ADP-R2
Maximum transmission speed		115.2kbps
External dimensions	H	90mm
	W	28.5mm
	D	95mm
Internal current consumption		0.02A
Weight		0.10kg

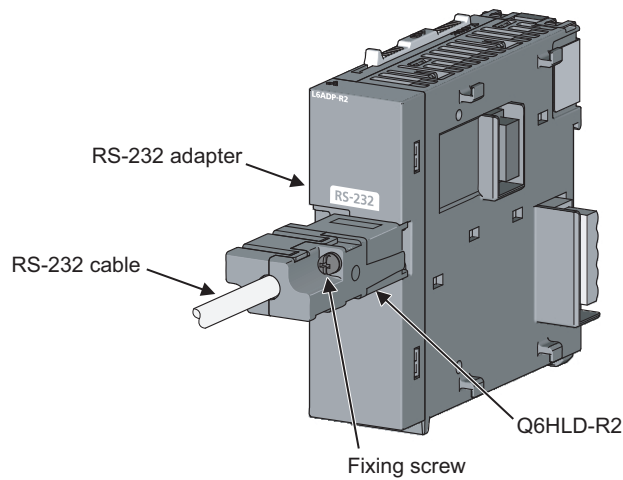
10.3 Connecting a RS-232 Cable at All Times

When connecting a cable to the RS-232 connector at all times, clamp the cable.

This prevents disconnection of the connector due to a swing or inadvertent pull of a dangling cable.

The connector disconnection prevention holder (Q6HLD-R2) is available as a clamp for the RS-232 connector. For details on the connector disconnection prevention holder (Q6HLD-R2), refer to the following manual.

 Q6HLD-R2 Type RS-232 Connector Disconnection Prevention Holder User's Manual



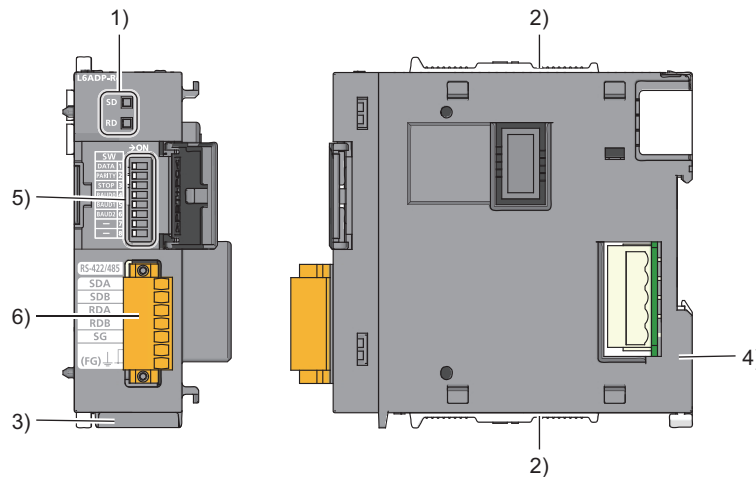
CHAPTER 11 RS-422/485 ADAPTER

This chapter describes the specifications of the RS-422/485 adapter.

Remark

- The 422/485 adapter cannot be mounted to the L02SCPU or L02SCPU-P.
- For connecting the RS-422/485 cable, refer to Page 57, Section 4.3.7.
- The RS-422/485 adapter is a module used in the following cases.
 - Connection with GOT
 - Communication with external devices using the predefined protocol function and serial communication function

11.1 Part Names



No.	Name	Application
1)	Indicator LED	LED for indicating data transmission/reception status • SD LED On: Data is being sent Off: No data is sent • RD LED On: Data is being received Off: No data is received In the event of transmission error, the SD LED and RD LED flash simultaneously. (The cycle of turning on for 200ms and turning off for 200ms is repeated.)
2)	Module joint levers	Levers for connecting two modules
3)	Serial number marking	Shows the serial number printed on the rating plate.
4)	DIN rail hook	A hook used to mount the module to a DIN rail
5)	DIP switch	DIP switch for transmission setting (data bit length, parity bit presence, stop bit length, baud rate) (☞ Page 88, Section 11.1 (1))
6)	Terminal block	RS-422/485 interface (two-piece pluggable terminal block) (☞ Page 88, Section 11.1 (2)) Tighten the terminal block screws (M2) within the specified torque range between 0.2 and 0.25N·m.

(1) DIP switch

The following table shows the DIP switch of the RS-422/485 adapter.

DIP switch		Application
1	DATA	Switch for setting the bit length corresponding to one character of data communicated with external devices (Parity bit is not included.) OFF: 7 bits ON: 8 bits
2	PARITY	Switch for setting whether to add the parity bit per one byte of data communicated with external devices OFF: No ON: Yes (vertical parity)
3	STOP	Switch for setting the stop bit length corresponding to one character of data communicated with external devices OFF: 1 bit ON: 2 bits
4	BAUD 0	Switch for setting the communication rate of data communicated with external devices*1 The selectable communication rate is shown below. 1200bps, 2400bps, 4800bps, 9600bps, 19200bps, 38400bps, 57600bps, 115200bps
5	BAUD 1	
6	BAUD 2	
7	—	
8	—	Unused

*1 The following table lists the transmission speed that can be set with the DIP switch.

DIP switch	Communication rate [bps]							
	1200	2400	4800	9600	19200	38400	57600	115200
BAUD0	OFF	ON	OFF	ON	OFF	ON	OFF	ON
BAUD1	OFF	OFF	ON	ON	OFF	OFF	ON	ON
BAUD2	OFF	OFF	OFF	OFF	ON	ON	ON	ON

Point

The setting of the DIP switch must match the "Adapter Serial Setting" configured in the PLC parameter.

(2) Terminal block

The following table shows the specifications of the terminal blocks for the RS-422/485 adapter.

Signal code	Signal name	Signal direction	Application
		RS-422/485 adapter ↔ External device	
SDA	Transmitted data (+)	→	Signal for transmitting data from the RS-422/485 adapter to external devices
SDB	Transmitted date (-)	→	
RDA	Received data (+)	←	Signal used to allow the RS-422/485 adapter to receive data from external devices
RDB	Received date (-)	←	
SG	Signal ground	↔	—
FG	Frame ground	↔	—
FG	Frame ground	↔	

(a) Terminating resistor

For terminating resistors, refer to  Page 59, Section 4.3.7 (3) (b).

(b) Terminal block

For the terminal block, refer to  Page 57, Section 4.3.7 (2) (a).

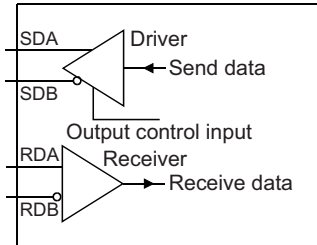
11.2 Specifications

Item		L6ADP-R4
Maximum transmission speed		115.2kbps
Communication method	Predefined protocol	Full-duplex/Half-duplex communication
	MC protocol	Half-duplex communication
Synchronization method		Asynchronous method
Communication speed		1200bps, 2400bps, 4800bps, 9600bps, 19200bps, 38400bps, 57600bps, 115200bps
Transmission distance		1,200m (total extension distance)
Data format	Start bit	1
	Data bit	<ul style="list-style-type: none"> • 7 • 8
	Parity bit	<ul style="list-style-type: none"> • Present • Absent
	Stop bit	<ul style="list-style-type: none"> • 1 • 2
Access cycle	Predefined protocol	At request of execution by dedicated instructions, for both transmission and reception
	MC protocol	Conform to the service processing setting of the CPU module.
Error detection	Parity check	<ul style="list-style-type: none"> • Present (Odd or even number is selected by parameters.) • Absent
	Sumcheck code	<ul style="list-style-type: none"> • Present (Presence of sum check codes and check method are determined according to the protocol used.) • Absent
Transmission control		<ul style="list-style-type: none"> • DC1/DC3 (Xon/Xoff) control • DC2/DC4 control
External dimensions	H	90mm
	W	28.5mm
	D	95mm
Internal current consumption		0.15A
Weight		0.12kg

(1) Operation of RS-422/485 interface

(a) Structure of RS-422/485 interface

The driver (transmission) and receiver (reception) of the RS-422/485 interface for the RS-422/485 adapter have the following structure.



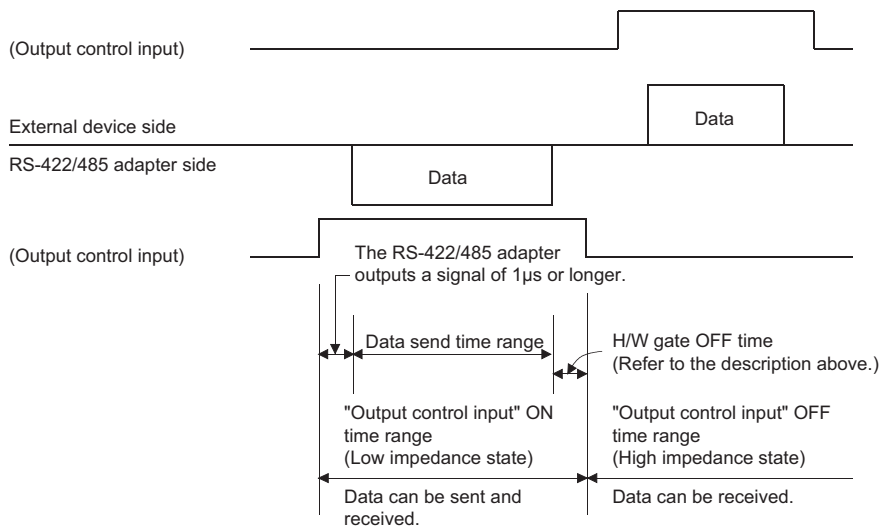
The "output control input" (also called the "transmission gate") in the driver (transmission) section determines whether data is output from SDA/SDB or not.

(b) Operation of RS-422/485 interface

In the figure on Page 90, Section 11.2 (1) (a), the "output control input" on status results in a low impedance condition (status in which data can be transmitted). On the other hand, the "output control input" off status results in a high impedance condition (status in which no data is transmitted).

(c) Transmission start timing and transmission completion timing of RS-422/485 adapter

- For transmission start timing, a mark of $1\mu\text{s}$ or more is output, and then actual data is output after canceling the high impedance status arising from the operation shown in Page 90, Section 11.2 (1) (a) and Page 90, Section 11.2 (1) (b).
- For transmission processing completion timing, data delivery time of 2 bits or less is required as the H/W gate off time until the transmission processing is completed (leading to the high impedance status) after completion of data transmission.



CHAPTER 12 SPACE MODULE

This chapter describes the application and specifications of the space module.

12.1 Application

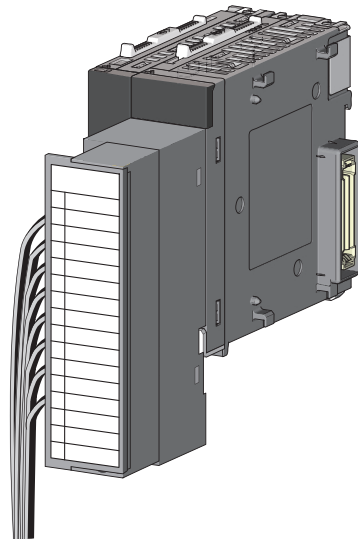
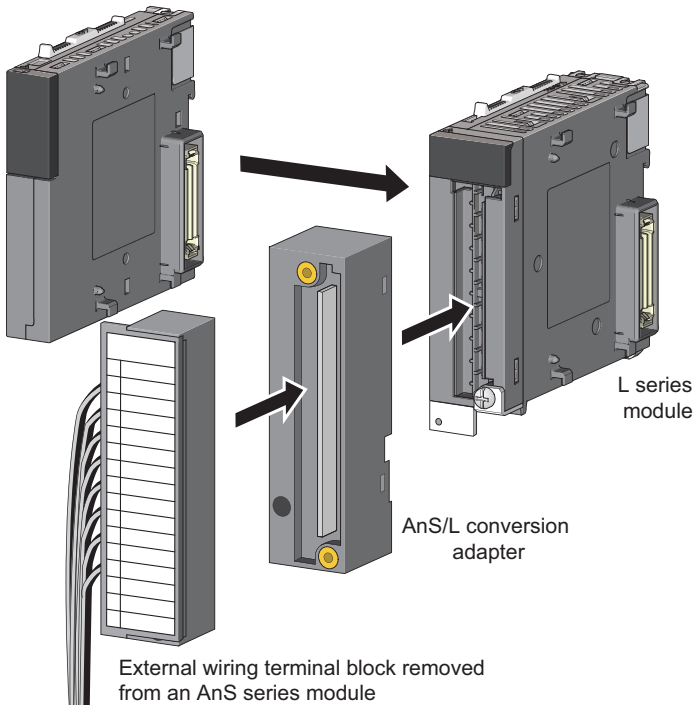
The space module is used to secure the wiring space necessary when an AnS/L conversion adapter (terminal block type) ^{*1} is used to replace the AnS series system with the L series system.

Only one unit of space module is connected to the left side of the module that uses an AnS/L conversion adapter (terminal block type).

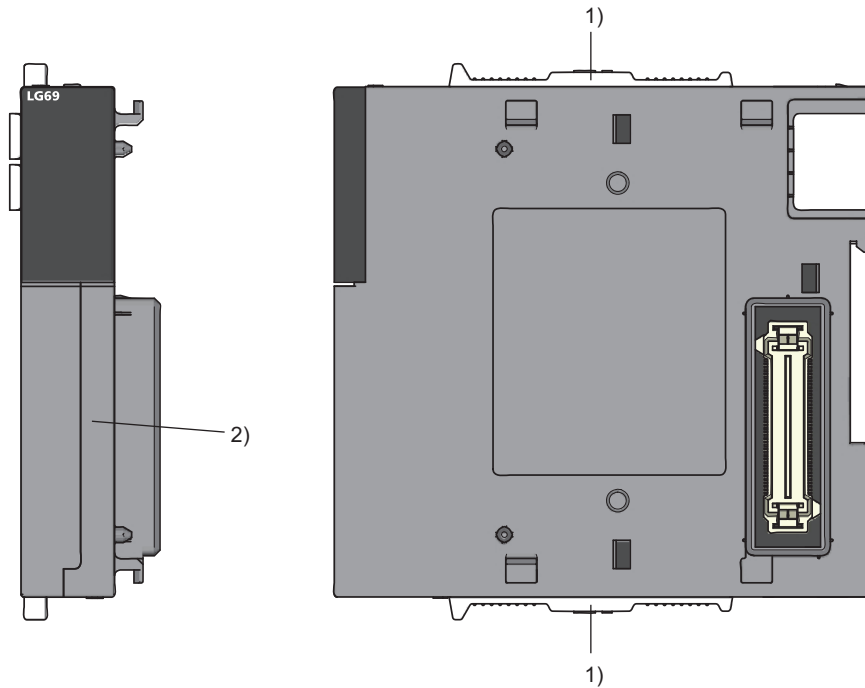
*1 Upgrade tool manufactured by Mitsubishi Electric Engineering Co., Ltd.

Conditions where the space module is mounted

Space module




12.2 Part Names



No.	Name	Application
1)	Module joint levers	Levers for connecting two modules
2)	Serial number marking	Shows the serial number printed on the rating plate.

12.3 Specifications

Item	LG69	
Number of occupied I/O points	Assignment prohibited*1	
Number of occupied modules	The number of occupied modules may vary depending on the modules to be used. For detail, refer to  Page 93, Section 12.4.	
External dimensions	H	90mm
	W	16.5mm
	D	95mm
Weight	0.07kg	

*1 The LG69 is not displayed on the system monitor of programming tool. Besides, do not set the LG69 in I/O assignment setting of PLC parameter of programming tool. If it was set, an I/O assignment deviation is generated in the module located at right side of LG69, resulting in an incorrect output and input. An error showing the incorrect assignment is displayed on the system monitor of programming tool.

12.4 Restrictions on the Number of Connectable Modules

This section describes the restrictions on the number of connectable modules when one or more of space modules are used in the system.

12.4.1 Number of connectable modules for the main block

The number of connectable modules for the main block is shown below.

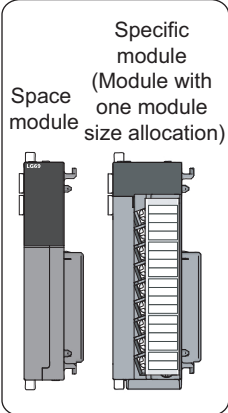
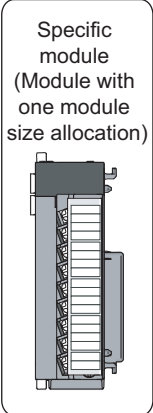
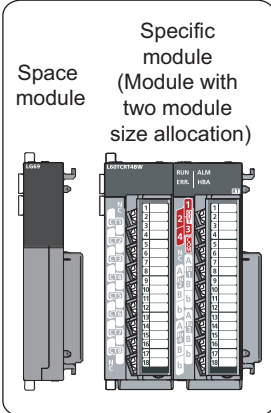
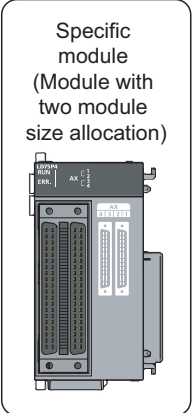
(1) When only the specific module is used

When the following modules are only used as the module to be connected to the main block, the number of connectable modules is as follows.

Module type	Model
I/O module, input/output modules	LX10, LX28, LX40C6, LX41C4, LX42C4 LY10R2, LY18R2A, LY20S6, LY28S1A, LY40NT5P, LY41NT1P, LY42NT1P, LY40PT5P, LY41PT1P, Y42PT1P LH42C4NT1P, LH42C4PT1P
Analog module	L60AD4, L60DA4, L60AD2DA2, L60TCTT4, L60TCRT4, L60TCTT4BW*1, L60TCRT4BW*1
Counter module	LD62, LD62D
Positioning module	LD75P1*1, LD75P2*1, LD75P4*1, LD75D1*1, LD75D2*1, LD75D4*1
Network module	LJ61BT11, LJ71C24, LJ71C24-R2

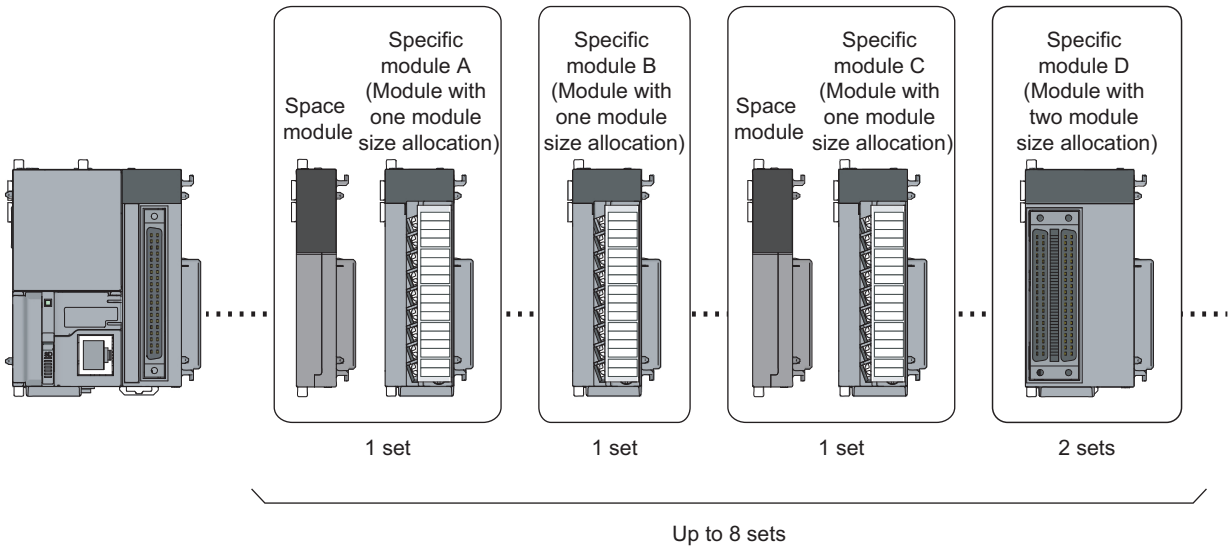
*1 These are modules with two module size allocation. The modules without an annotation are ones with one module size allocation.

Up to eight sets can be connected according to the counting method shown below. (To use the space module, connect only one module on the left side of each module.)

Installation module	Module with one module size allocation	Module with two module size allocation
	One set (Counted as one set also when the space module is not mounted)	Two sets (Counted as two sets also when the space module is not mounted)
Number of sets	<div style="display: flex; justify-content: space-around;"> <div style="text-align: center;">  <p>Space module Specific module (Module with one module size allocation)</p> <p>1 set</p> </div> <div style="text-align: center;">  <p>Specific module (Module with one module size allocation)</p> <p>1 set</p> </div> </div>	<div style="display: flex; justify-content: space-around;"> <div style="text-align: center;">  <p>Space module Specific module (Module with two module size allocation)</p> <p>2 sets</p> </div> <div style="text-align: center;">  <p>Specific module (Module with two module size allocation)</p> <p>2 sets</p> </div> </div>

- When the branch module L6EXB is used, up to eight sets plus one branch module can be connected.
- Do not set a space module in the I/O assignment setting of the PLC parameter of the programming tool.

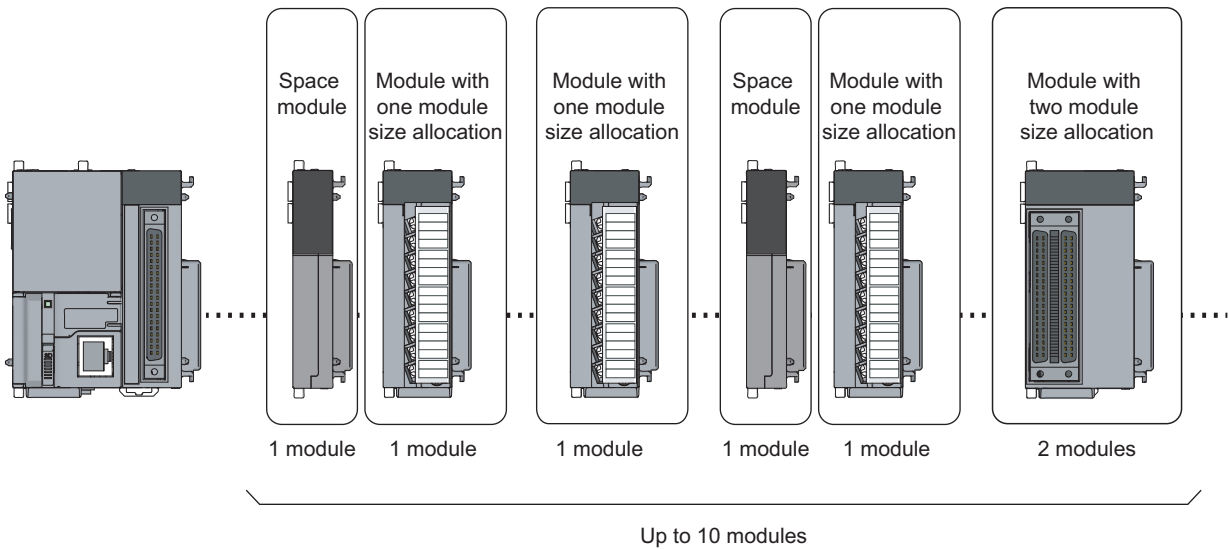
Example for counting the number of sets is shown below.



(2) When modules other than the specific modules are also used

The number of connectable modules is up to 10. However, the space module is also counted as one module as shown below.

The counting method according to the number of sets cannot be applied.



12.4.2 Number of connectable modules for the extension block

The number of connectable modules for the extension block is shown below.

(1) When only the specific module is used

For the number of connectable modules required when only the specific module (☞ Page 93, Section 12.4.1 (1)) is used, it is the same as for that of the main module. Up to 8 sets plus one branch module can be connected.

Point

When one space module is connected to the extension module, the number of connectable modules is increased by use of the counting method stated on Page 95, Section 12.4.2 (2). Therefore refer to said page.

(2) When modules other than the specific modules are also used

Maximum of 11 modules can be used. However, the space module is also counted as one module. The counting method according to the number of sets cannot be applied.

Point

- Although the space module is counted as one module, it is not displayed on the system monitor of the programming tool. Do not perform the I/O assignment setting.
 - For detail of the number of occupied modules, refer to ☞ Page 23, Section 2.2 (1).
-

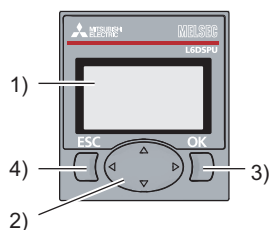
CHAPTER 13 DISPLAY UNIT

Remark

The L02SCPU and L02SCPU-P do not support the use of display units.

This chapter describes the specifications of a display unit.

13.1 Part Names



No.	Name	Application
1)	LCD (liquid crystal display)	A screen for displaying menus, time, and monitoring data ^{*1}
2)	▲ button	These buttons are used to operate a display unit. For details, refer to the following. MELSEC-L CPU Module User's Manual (Function Explanation, Program Fundamentals)
	▼ button	
	▶ button	
	◀ button	
3)	OK button	
4)	ESC button	

^{*1} Dots may be displayed in the form of a line for several or several tens of seconds after power-off. However, this does not cause functionality problem.

13.2 Specifications

Item		L6DSPU
Number of displayed characters		16 one-byte characters × 4 lines
Displayed characters		<ul style="list-style-type: none"> • Alphanumeric (two-byte/one-byte character) • Katakana (two-byte/one-byte character) • Hiragana (two-byte character) • Chinese character (two-byte character) • Symbol (two-byte/one-byte character)
Language		Japanese/English
Backlight		Green (normal), red (error)
External dimensions	H	50mm
	W	45mm
	D	15mm
Weight		0.03kg

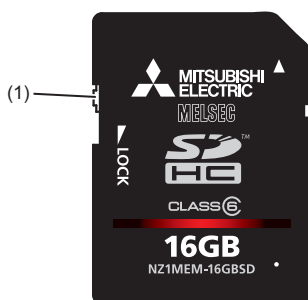
CHAPTER 14 SD MEMORY CARD

Remark

The L02SCPU and L02SCPU-P do not support the use of SD memory cards.

This chapter describes the specifications and handling of SD memory cards.

14.1 Part Names



No.	Name	Application
(1)	Write protect switch	Prevents the data in an SD memory card from being erased or modified by setting this switch to the LOCK position.

14.2 Specifications

Item	NZ1MEM-2GBSD	NZ1MEM-4GBSD	NZ1MEM-8GBSD	NZ1MEM-16GBSD
Memory card type	SD	SDHC		
Memory capacity	2G bytes	4G bytes	8G bytes	16G bytes
Number of writes	60000 times	100000 times		
External dimensions	H	32mm		
	W	24mm		
	D	2.1mm		
Weight	2g			

For the specifications of the L1MEM-□GBSD, refer to Page 456, Appendix 8.

14.3 Handling precautions

Follow the precautions below before using SD memory cards.

- Use an SD memory card manufactured by Mitsubishi Electric (NZ1MEM-□GBSD).^{*1}
If an SD memory card manufactured by other companies is used, a problem, such as damage to data in the SD memory card and system operation stop, may occur.
- SD memory cards manufactured by Mitsubishi Electric conform to IEC 61131-2 when being used in the MELSEC-L series CPU module.
- SDHC memory cards can be used only with CPU modules that are compatible with them. (An SDHC logo is printed on each of these CPU modules or the manuals of them.) Note that SDHC memory cards cannot be used with the CPU modules that are compatible with SD only.
- All SD memory cards to be used in the CPU module need to be formatted.
SD memory cards manufactured by Mitsubishi Electric are already formatted at the factory. When using other SD memory cards that are not formatted, format the cards before use.
- Use the engineering tool to format SD memory cards. (Do not use a personal computer.) (📖 Operating manual of the programming tool used)
- Data in the SD memory card may corrupt if the following operation is performed while the SD memory card is being accessed: powering off the system, resetting the CPU module, or removing the SD memory card. Terminate the access to the SD memory card before performing these operations. The use of the SD memory card can be disabled by SM606 (SD memory card forced disable instruction) and the disabled status can be checked by SM607 (SD memory card forced disable status flag). (📖 Page 100, Section 14.4)
- Regularly back up important data on other media, such as CDs and DVDs.

^{*1} If commercially available SD memory cards are used, operation under the environment described in the general specifications (📖 Page 62, CHAPTER 5) is not guaranteed. Ensure that such SD memory cards will not cause system control problems.

14.4 Forced Disablement of SD Memory Card

Remark

The forced disablement of SD memory card by SM606 is available on the CPU modules whose serial number (first five digits) is "12022" or later.

Before the CPU module is powered on then off, an SD memory card operation can be stopped, even if SD604 (memory card use conditions) is on.

(1) Using forced disablement

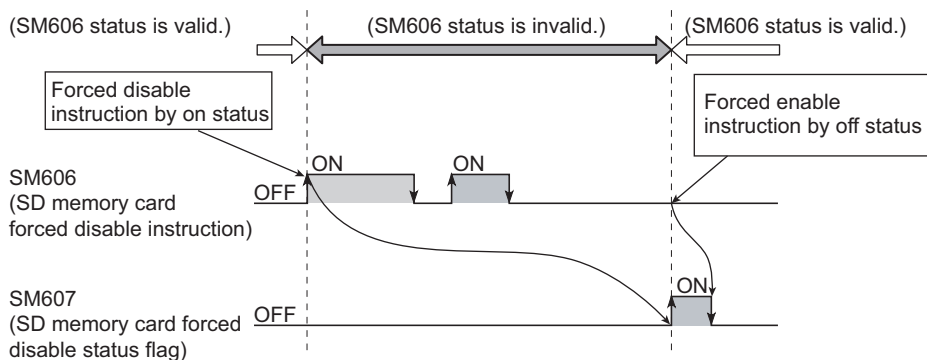
1. Turning on SM606 (SD memory card forced disable instruction) disables the SD memory card operation installed on the CPU module. Whether or not the SD memory card is forcibly disabled can be checked by SM607 (SD memory card forced disable status flag).
2. SD LED turns off.

(2) Canceling forced disablement

To cancel the forced disable status of an SD memory card, execute the following operations.

- Power the CPU module off then on.
- Reset the CPU module.
- Turn off SM606 (SD memory card forced disable instruction).^{*1}

*1 After the disable instruction is executed by turning on SM606 (SD memory card forced disable instruction), until SM607 (SD memory card forced disable status flag) is changed, instructions by the on/off status change of SM606 (SD memory card forced disable instruction) are invalid.



(3) Precautions


- While an SD memory card is forcibly being disabled, if the card is accessed by a function, the CPU module operates the same as the SD memory card is not installed. However, when the FREAD, FWRITE, COMRD(P) and QCASET(P) instruction is executed, the CPU module operates differently from when SD memory card is not installed and the processing is not performed.
- When an SD memory card is installed, if the SD memory card lock switch is slid up (SD memory card stop status) and SM606 (SD memory card forced disable instruction) is on, perform all of the following operations to make the card available.
 - Slide down the SD memory card lock switch. (Make the SD memory card available.)
 - Turn off SM606 (SD memory card forced disable instruction).
- If an SD memory card is forcibly disabled while writing a file from an external device, writing to the file may fail. In such a case, cancel the forced disable status of the SD memory card, and write a file again.

CHAPTER 15 BATTERY

This chapter describes the specifications of the batteries to install in the CPU module and their application.

15.1 Specifications

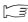


Item	Q6BAT	Q7BATN ^{*1}	Q7BAT ^{*1}
Type	Manganese dioxide lithium primary battery		
Initial voltage	3.0V		
Nominal current	1800mAh	6000mAh	5000mAh
Battery life when not used	Approximately 5 years (room temperature)		
Lithium content	0.57g ^{*2}	1.8g	1.55g

- *1 A battery holder is included with the purchase of a Q7BATN-SET or a Q7BAT-SET. Note that the battery holder for the Q7BAT cannot be used for the Q7BATN.
- *2 The lithium content of batteries manufactured in July 2017 or earlier differs from those in this list. For details, refer to the following.
-  Changes in battery parts (FA-A-0242)

15.1.1 Application

A battery is used as the backup power for the standard RAM, the device/label for which the latches are enabled, and clock data.

Point

- For battery installation and replacement, refer to  Page 107, Section 16.3.
 - For battery life, refer to  Page 446, Appendix 4.
 - For handling of batteries in EU member states, refer to  Page 478, Appendix 13.
-

Memo

CHAPTER 16 MAINTENANCE AND INSPECTION

This chapter describes items that must be maintained or inspected daily or periodically to properly use a programmable controller in optimal condition at all times.

16.1 Daily Inspection

This section describes items that must be inspected daily.

(1) Mounting and connecting status

Checkbox

- USB connector cover and SD memory card slot cover are securely closed.
- Modules are securely connected.
- Module joint levers are properly locked.
- Terminal screws of modules are properly tightened.
- Solderless terminals are physically out of contact and away from each other.
- Cable connectors are tightly connected.
- Terminal cover of the power supply module is securely attached.

(2) LED indication status

Checkbox

- Is the MODE LED of the CPU module lit green?
- Is the RUN LED of the CPU module lit green?
- Is the ERR. LED of the CPU module off?
- Is the USER LED of the CPU module off?
- Is the BAT. LED of the CPU module off?
- Is the I/O ERR. LED of the CPU module off?
- When an input signal is on, are all the corresponding LEDs on?
- When an output signal is on, are all the corresponding LEDs on?
- Is the RUN LED for CC-Link lit green?
- Is the ERR. LED for CC-Link off?
- Is the L RUN LED for CC-Link lit green?
- Is the L ERR. LED for CC-Link off?
- Is the POWER LED of the power supply module lit green?
- Are the indicators of the input module correctly lit when the input signal is on?
- Are the indicators of the output module correctly lit when the output signal is on?

When an LED indication error is detected, perform troubleshooting according to the error location.

Error location		Reference
CPU module	CPU (MODE, RUN, ERR., USER, and BAT.)	☞ Page 111, CHAPTER 17
	Built-in function (I/O ERR., X0 to XF, and Y0 to Y7)	
	CC-Link (RUN, ERR., L RUN, and L ERR.)	📖 MELSEC-L CC-Link System Master/Local Module User's Manual
Power supply module, I/O module		☞ Page 111, CHAPTER 17

16.2 Periodic Inspection

This section describes items that must be inspected once or twice every 6 to 12 months.

The items must be inspected as well when the equipment has been relocated or modified, or wiring layout has been changed.

Checkbox

- Is the ambient temperature within 0 to 55°C?
- Is the ambient humidity within 5 to 95%RH?
- Is there no corrosive gas?
- Is the voltage across 100VAC terminals within 85 to 132VAC?
- Is the voltage across 200VAC terminals within 170 to 264VAC?
- Is the voltage across 24VDC terminals within 15.6 to 31.2VDC?
- Are the modules securely installed?
- Is there no dust or foreign matter?
- Is the BAT. LED of the CPU module off?
- Has the battery been used not exceeding five years?
- Are SM51 and SM52 off?
- Is an error history not updated?
- Are SD526 and SD527 (maximum scan time) values within the range specified for the system?

16.3 Battery Replacement Procedure

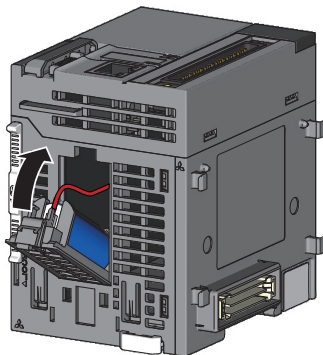
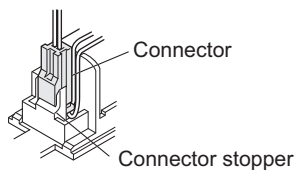
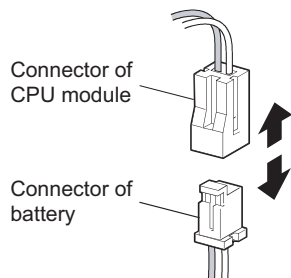
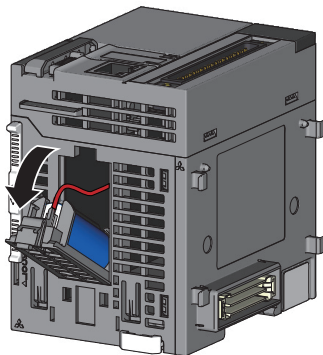
Data in the memory is backed up for a while by a capacitor even after the battery is removed from the CPU module. However, replace the battery quickly because the data may be erased after the backup power time (three minutes) is elapsed.

(1) Pre-procedure

Perform the following before replacing the battery.

- Back up the program and data.
- Supply power to the CPU module for 10 minutes or longer.

(2) Q6BAT replacement procedure



1. Remove a CPU module from the DIN rail and open the battery holder located at the bottom of the CPU module.

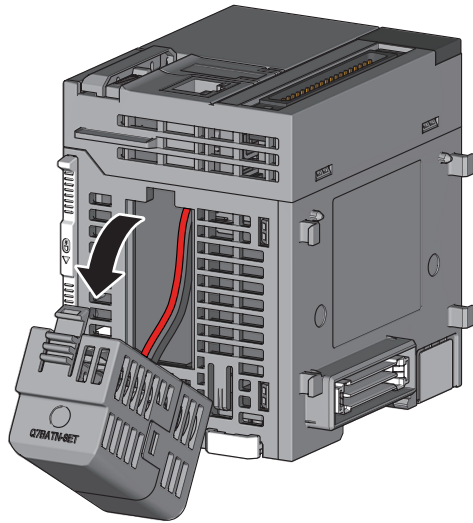
2. Disconnect the battery connector and remove the old battery from the battery holder.*¹ (The battery connector is disconnected at shipment.)

3. Connect the lead connector of the new battery to that of the CPU module. Then, store them in the battery holder. Fix the connectors to the connector stopper of the holder.

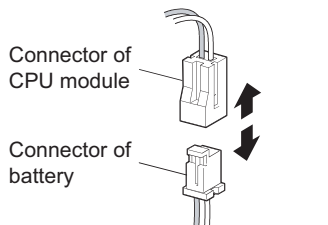
4. Attach the battery holder to the CPU module and mount the CPU module to the DIN rail.

*1 When disconnecting the connector, hold the connector part so that the cables are not damaged.

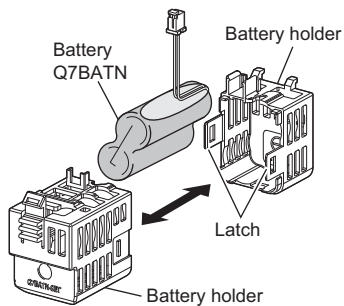
(3) Q7BATN/Q7BAT replacement procedure



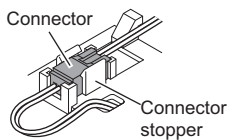
1. Remove the CPU module from the DIN rail, and open the battery holder located at the bottom of the CPU module.



2. Disconnect the battery connector and remove the old battery from the battery holder.*1

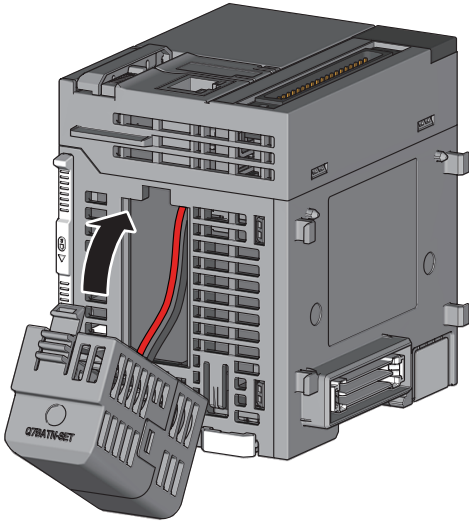


3. Disengage the latches on the battery holder sides to open the holder, and remove the Q7BATN/Q7BAT.



4. Insert the new Q7BATN/Q7BAT into the holder in the correct orientation (for the Q7BATN, insert it at a slight angle as shown in the figure), and close the holder so that the battery cable is pulled out from the hole on the joint.
5. Connect the connector of the new battery to that of the CPU module. Then, store them in the battery holder. Fix the connectors to the connector stopper of the holder.

6. Attach the battery holder to the CPU module*² and mount the CPU module to the DIN rail.



- *1 When disconnecting the connector, hold the connector part so that the cables are not damaged.
- *2 Be careful not to let the battery cable get caught between the Q7BATN-SET/Q7BAT-SET and the CPU module when attaching the battery.

16.4 Operation Restart After Being Stored

When operation is restarted after the programmable controller has been stored under the following conditions, data in the standard RAM of the CPU module may be corrupted.

Before restarting operation, format the standard RAM using a programming tool.


After that, write the backup data to the standard RAM.

- When stored without a battery installed
- When stored exceeding the guaranteed battery life

Remark

If the latch data backup (to standard ROM) function is used, latch data can be held without using a battery. For this reason, when programmable controller operation is restarted after being stored, the data before storage can be used.

For the formatting method of the standard RAM, refer to the following.

 Operating manual of the programming tool used

Point

- Before storing a programmable controller, back up all the data stored in each memory. Write the data with a programming tool before restarting an operation.
 - A CPU module checks the status of the following data when the module is powered on or reset. When the module detects an error, data will be initialized. Restarting an operation with initialized data may cause an unintended operation.
 - Data in the standard RAM
 - Error history
 - Latch data (latch relay, devices in latch setting range set in the parameter, special relay (SM900 to SM999), and special register (SD900 to SD999))
 - Sampling trace data
-

CHAPTER 17 TROUBLESHOOTING

This chapter describes errors that may occur during system operation, how to identify the error cause, and error corrective actions.

When the system has a trouble, perform troubleshooting in the following order.

- Check the system visually. (☞ Page 111, Section 17.1)
- Check the error and take a corrective action. (☞ Page 114, Section 17.2)

When the CPU module has a functional problem, check the module visually before checking the functional problem. (☞ Page 118, Section 17.3)

Remark

Saving the program and devices at the time of an error helps to analyze the error cause. (☞ Page 148, Section 17.5)

17.1 Checking the System Visually

Visually check the following items.

(1) LED status

Check if there is a hardware failure or not. Check the status of each LED in the following order.

For the module status corresponding to the LED indication, refer to the "Part Names" section of each module.

- CPU module (☞ Page 64, Section 6.1)
- Power supply module (☞ Page 77, Section 7.1)
- RS-422/485 adapter (☞ Page 87, Section 11.1)

1. Power on the system. Check the POWER LED status of the power supply module.

If the POWER LED does not turn on even when power is supplied, perform the following troubleshooting.

☞ Page 112, Section 17.1.1

2. Check the MODE LED status of the CPU module.

If the MODE LED does not turn on, perform the following troubleshooting.

☞ Page 112, Section 17.1.2

3. Check the RUN LED status of the CPU module.

If the RUN LED does not turn on, perform the following troubleshooting.

☞ Page 113, Section 17.1.3

4. Check the I/O ERR. LED or ERR. LED status of the CPU module.

If the I/O ERR. LED or ERR. LED is on or flashing, an error exists.

Check the error using a display unit or a programming tool. (☞ Page 114, Section 17.2)

5. Check the BAT.LED status of the CPU module.

If the BAT.LED is on, the battery voltage is low.

Replace the battery. (☞ Page 107, Section 16.3)

6. Check the SD LED or RD LED of the RS-422/485 adapter.

If the SD LED and RD LED flash simultaneously (repeating the cycle of turning on for 200ms and turning off for 200ms), transmission error may be present.

Check if "Adapter Serial Setting" in the PLC parameter of the CPU module matches the DIP switch setting of the RS-422/485 adapter. (☞ Page 87, Section 11.1)

(2) Communication cable and wiring

Check if any communication cable has a problem or not. Check also that connectors and terminal blocks are correctly mounted or wired. (☞ Page 44, Section 4.3)

17.1.1 When the POWER LED does not turn on

Check the following:

Check item	Corrective action
The MODE LED of the CPU module is on.	The power supply module has failed. Replace the power supply module.
Power supply voltage is not appropriate.	Supply power voltage within the specified range. (☞ Page 78, Section 7.2)
The internal current consumption for the entire system exceeds the rated output current of the power supply module.	Reexamine the system configuration so that the internal current consumption does not exceed the rated output current. (☞ Page 475, Appendix 11)
The POWER LED turns on when power is supplied again to the system after all modules, except for the power supply module, were removed.	Repeatedly supply power to the system, returning the modules back to the system one by one. The last module mounted immediately before the POWER LED turned off is failed.

If the POWER LED does not turn on even after taking the above actions, the possible cause is a hardware failure. Please consult your local Mitsubishi representative.

17.1.2 When the MODE LED does not turn on


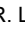
Check the following:

Check item	Corrective action
The forced ON/OFF is set.	Cancel the forced ON/OFF registration.
The MODE LED turns on when power is supplied to the system again after the power supply module was replaced.	The original power supply module has a problem. Please consult your local Mitsubishi representative.
AC power is not supplied to the power supply module.	Supply AC power to the power supply module.
The MODE LED does not turn on even when power is supplied to the system again after the power supply module was replaced.	The CPU module or any other module mounted has a problem. Repeatedly supply power to the system, returning the modules back to the system one by one. The last module mounted immediately before the MODE LED turned off is failed.
A branch module is connected to another branch module using an extension cable.	Connection of the extension cable is incorrect. Connect the cable correctly.

If the MODE LED does not turn on even after taking the above actions, the possible cause is a hardware failure. Please consult your local Mitsubishi representative.

17.1.3 When the RUN LED does not turn on

Check the following:

Check item	Corrective action
The ERR. LED of the CPU module is flashing.	An error exists. Check the error using a display unit or a programming tool. ( Page 114, Section 17.2)
The ERR. LED of the CPU module is on.	The module is affected by excessive noise. Take noise reduction measures. ( Page 457, Appendix 9)
The remote STOP operation, remote PAUSE operation or STOP instruction is being executed.	When the remote STOP or remote PAUSE operation is being executed, execute the remote RUN operation. When the STOP instruction is being executed, change the operating status of the CPU module from STOP to RUN.

If the RUN LED does not turn on even after taking the above actions, the possible cause is a hardware failure. Please consult your local Mitsubishi representative.

17.2 Checking the Error Details

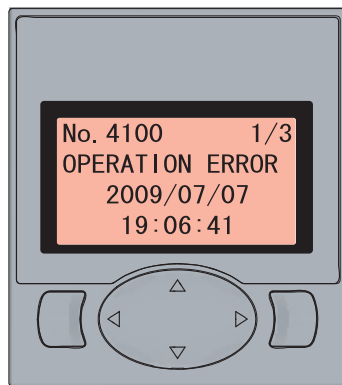
Check the error cause and corresponding corrective action using either of the following:

- Display unit
- Programming tool

(1) Using a display unit

The error code, common information, and individual information of the error can be checked using the error display function of a display unit.

Check the error in the error code list and remove the error cause. (☞ Page 152, Appendix 1)



For the operation of a display unit, refer to the following.

☞ MELSEC-L CPU Module User's Manual (Function Explanation, Program Fundamentals)

(2) Using a programming tool

The error details and cause can be checked by connecting a programming tool to the CPU module.

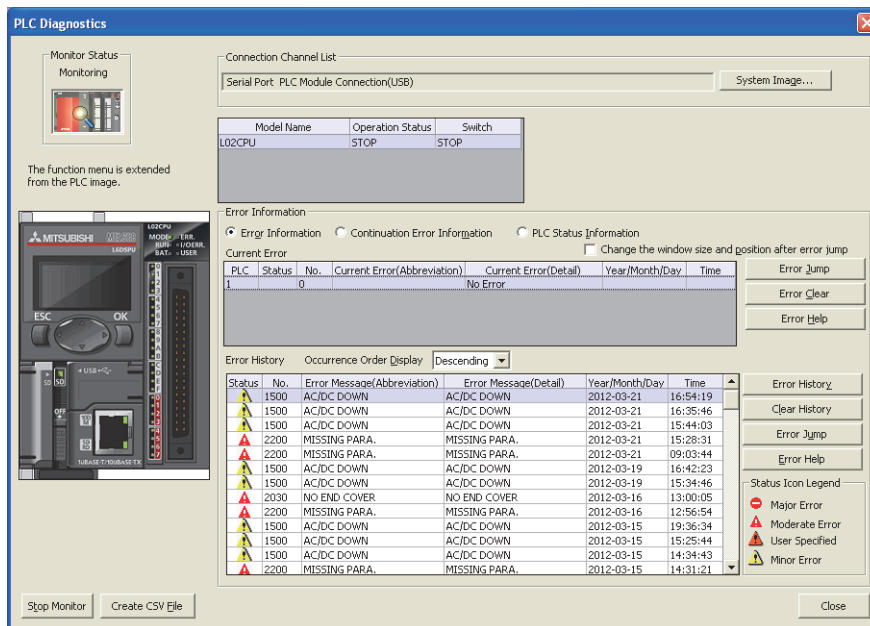
If the connection cannot be established, check that the settings in the programming tool are correct.

Operating manual of the programming tool used

(a) PLC diagnostics

When the ERR.LED turns on or flashes, check the error in the PLC diagnostics of the programming tool and eliminate the error cause.

[Diagnostics] ⇒ [PLC Diagnostics...]




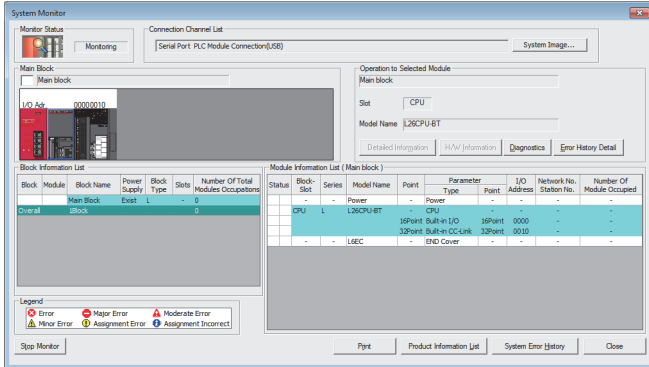
For details on the PLC diagnostics, refer to the following.

Operating manual of the programming tool used

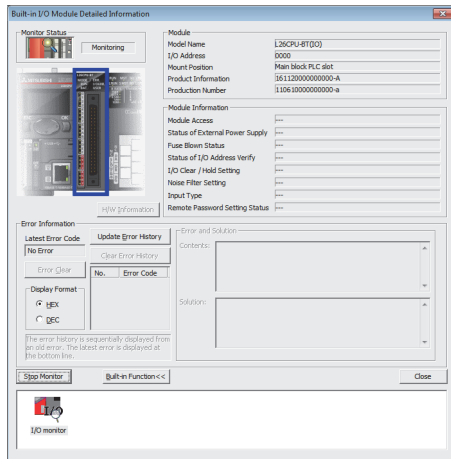
(b) Module detailed information

When the I/O ERR.LED turns on or an error occurs in any intelligent function module, check the error in the system monitor of the programming tool and remove the error cause.

 [Diagnostics] ⇒ [System Monitor...]




1. Select the error module in "Main Block" and click the [Detailed Information] button.



2. Detailed information of the selected module is displayed.


For details on the module detailed information, refer to the following.

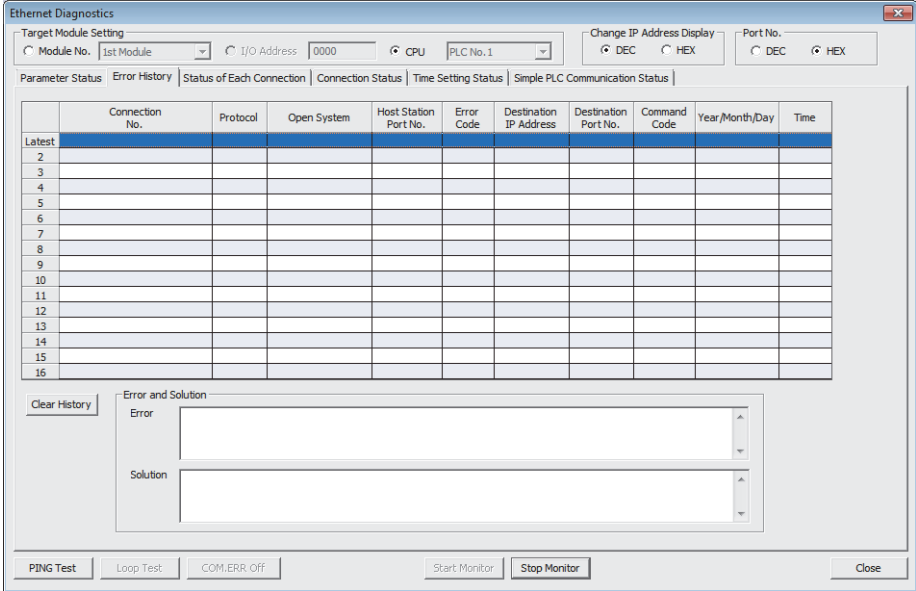
 MELSEC-L CPU Module User's Manual (Built-In I/O Function)

 User's manual for the intelligent function module used


(c) Ethernet diagnostics

When a programming tool is connected to the CPU module over Ethernet, check error details in the "Ethernet Diagnostics" window, and remove the error cause.

 [Diagnostics] ⇒ [Ethernet Diagnostics...]



For details on Ethernet diagnostics, refer to the following.

 Operating manual of the programming tool used

17.3 Checking for Functional Errors

If the CPU module has a functional problem, check the following items and perform troubleshooting. If the ERR. LED or I/O ERR. LED of the CPU module is on or flashing, eliminate the error using a display unit or a programming tool. (☞ Page 114, Section 17.2)

Function	Error status	Reference
Write to PLC	Data cannot be written to the CPU module.	☞ Page 120, Section 17.3.1 (1)
Read from PLC	Data cannot be read from the CPU module.	☞ Page 120, Section 17.3.1 (2)
Boot operation	A boot operation cannot be performed from the memory card.	☞ Page 120, Section 17.3.2
Ethernet communication	Direct connection is not possible.	☞ Page 121, Section 17.3.3 (1)
	Ethernet communication is not possible when using a method other than direct connection.	☞ Page 122, Section 17.3.3 (2)
	Ethernet communication is not possible with the connected device.	☞ Page 122, Section 17.3.3 (3)
Predefined protocol function	Data communication is not possible	☞ Page 128, Section 17.3.5 (1)
	Reading or writing of protocol setting is not possible.	☞ Page 128, Section 17.3.5 (2)
Socket communication function	The connected device cannot receive data.	☞ Page 129, Section 17.3.6 (1)
	Data cannot be received.	☞ Page 129, Section 17.3.6 (2)
	The open processing is not completed.	☞ Page 129, Section 17.3.6 (3)
Simple PLC communication function	Communication with a communication target station is not possible.	☞ Page 130, Section 17.3.7 (1)
	Communication with a communication target station is unstable.	☞ Page 130, Section 17.3.7 (2)
	Communication is not performed at preset intervals.	☞ Page 131, Section 17.3.7 (3)
	The update by reading and writing the device data is slow.	☞ Page 131, Section 17.3.7 (4)
General-purpose I/O function	An input signal does not turn on.	☞ Page 133, Section 17.3.9 (1)
	The OUT LED does not turn on.	☞ Page 133, Section 17.3.9 (2)
	An input signal does not turn off.	☞ Page 144, Section 17.4.1
	Noises are taken as inputs.	
	An output load momentarily turns on when the system is powered off.	☞ Page 146, Section 17.4.2
Interrupt input function	An interrupt does not occur.	☞ Page 133, Section 17.3.10
Pulse catch function	Pulses cannot be detected.	☞ Page 134, Section 17.3.11
Positioning function	A motor does not rotate.	☞ Page 134, Section 17.3.12

Function	Error status	Reference
High-speed counter function (normal mode)	Pulses are not counted.	☞ Page 135, Section 17.3.13 (1)
	Pulses are not normally counted.	☞ Page 135, Section 17.3.13 (2)
	The current value cannot be replaced with the preset value.	☞ Page 136, Section 17.3.13 (3)
	Counter value coincidence (No.n) does not turn on.	☞ Page 136, Section 17.3.13 (4)
	Counter value coincidence (No.n) does not turn off.	☞ Page 136, Section 17.3.13 (5)
	Coincidence output signal No.n does not turn on while counter value coincidence (No.n) is on.	☞ Page 137, Section 17.3.13 (6)
	Coincidence detection interrupt does not occur.	☞ Page 137, Section 17.3.13 (7)
	The selected counter function does not start.	☞ Page 137, Section 17.3.13 (8)
	The latch counter function cannot be performed using the latch counter input terminal.	☞ Page 138, Section 17.3.13 (9)
High-speed counter function (frequency measurement mode)	A frequency is not measured.	☞ Page 138, Section 17.3.13 (10)
	A frequency is not normally measured.	☞ Page 138, Section 17.3.13 (11)
High-speed counter function (rotation speed measurement mode)	A rotation speed is not measured.	☞ Page 139, Section 17.3.13 (12)
	A rotation speed is not normally measured.	☞ Page 139, Section 17.3.13 (13)
High-speed counter function (pulse measurement mode)	Pulses are not measured.	☞ Page 139, Section 17.3.13 (14)
	Pulses are not normally measured.	☞ Page 140, Section 17.3.13 (15)
High-speed counter function (PWM output mode)	PWM output is not normally performed.	☞ Page 140, Section 17.3.13 (16)
Display unit	The display unit behaves abnormally.	☞ Page 141, Section 17.3.14
Communication with external devices	It takes time to complete the communication with external devices.	☞ Page 141, Section 17.3.15
Operating status of the CPU module	It takes time for the CPU module to switch the operating status.	☞ Page 142, Section 17.3.16
END cover with ERR terminal	The ERR. terminal is off (open) during operation.	☞ Page 142, Section 17.3.17
Extension system	I/O signals of an extension block do not turn on/off.	☞ Page 142, Section 17.3.18
Space module	Module is always not recognized.	☞ Page 143, Section 17.3.19 (1)
	Module will become unable to be recognized during system in running.	☞ Page 143, Section 17.3.19 (2)
	A deviation in module assignment occurs.	☞ Page 143, Section 17.3.19 (3)
CC-Link IE Field Network Basic function	An error has occurred while the CC-Link IE Field Network Basic function is being used.	☞ CC-Link IE Field Network Basic Reference Manual

17.3.1 Write to PLC and Read from PLC

(1) Write to PLC

If data cannot be written from the programming tool to the CPU module, check the following items.

Check item	Corrective action
The data is password-protected.	Unlock the password with the programming tool.
The SD memory card is write-protected even though it has been specified as the data writing target.	Cancel the protection. (☞ Page 98, Section 14.1)
The SD memory card is not formatted even though it has been specified as the data writing target.	Format the SD memory card.
The size of data to be written is larger than the memory capacity.	<ul style="list-style-type: none">• Secure sufficient free space in the memory.• Organize the target memory.

If data cannot be written to the CPU module even after taking the above actions, the possible cause is a hardware failure.

Please consult your local Mitsubishi representative.

(2) Read from PLC

If data cannot be read from the CPU module to the programming tool, check if the target memory has been correctly set.

After making sure that the target memory has been correctly set, reset the CPU module, and then read data from the CPU module again.

If data cannot read from the CPU module, the possible cause is a hardware failure.

Please consult your local Mitsubishi representative.

17.3.2 Boot operation

If a boot operation cannot be performed from the SD memory card, check the following items.

Check item	Corrective action
An error has occurred in the CPU module.	Remove the cause of the error. (☞ Page 114, Section 17.2)
The file has not been set in the Boot File tab in the parameter.	Set the file.
The file has not been set in the Program tab in the parameter.	
The file to be used has not been stored in the SD memory card.	Store the file to be used.

If a boot operation cannot be performed even after taking the above actions, the possible cause is a hardware failure.

Please consult your local Mitsubishi representative.

17.3.3 Ethernet communication

(1) Direct connection is not possible.

If Ethernet communication is not possible through direct connection with the programming tool, check the following items.

Check item	Corrective action
The CPU module is not directly connected to the programming tool with a single cable.	Directly connect the CPU module to the programming tool with a single cable.*1
The setting on the connected device (personal computer) is incorrect. <ul style="list-style-type: none"> • Ethernet port setting • Firewall setting • Communication setting of security software 	Correct the setting on the connected device.
In the Transfer Setup setting of the programming tool, "Ethernet Port Direct Connection" is not selected for the PLC side I/F PLC Module.	Correct the Transfer Setup setting.
When parameters are read after switching to USB connection, "Disable direct connection to MELSOFT" is selected in the Built-in Ethernet Port Setting tab.	Correct the parameter.
In the Status of Each Connection tab in the "Ethernet Diagnostics" window, MELSOFT Direct Connection is set to the forced deactivation status.	Disable the forced deactivation.
In the Error History tab in the "Ethernet Diagnostics" window, an error for direct connection is detected.	Take corrective actions according to the error code. (☞ Page 259, Appendix 1.11)
In the Host Station Detailed Setting window in the Transfer Setup setting, increasing the "Check at Communication Time" or "Retry Times" value enables communication.	<ul style="list-style-type: none"> • Adjust the "Check at Communication Time" or "Retry Times" value. • Check the condition of the cables, connected device (personal computer), and CPU module.
The connected device (personal computer) does not support the direct connection.	Connect a hub.

If Ethernet communication cannot be performed even after taking the above actions, the possible cause is a hardware failure.

Please consult your local Mitsubishi representative.

*1 When two or more Ethernet ports are enabled in the network connections setting on the personal computer, communication by direct connection is not possible. In the setting, leave only one Ethernet port enabled for direct connection and disable the other Ethernet ports.

(2) Ethernet communication is not possible when using a method other than direct connection.

If Ethernet communication is not possible when using a method other than direct connection with the programming tool, check the following items.

Check item	Corrective action
IP addresses are duplicated.	<ul style="list-style-type: none"> • Check the duplicate IP addresses using the Find CPU function, and correct the IP address(es). • Correct the IP address of the programming tool (personal computer) so that it differs from the address of the CPU module. • Disconnect a device from the network and perform a PING test to the IP address of the disconnected device. If a response message is returned, the same IP address exists in the network. Correct the IP address(es).
The specified protocol is incorrect.	Correct the Transfer Setup setting.
"Ethernet Port Direct Connection" is selected.	
The specified IP address or host name is incorrect.	

If Ethernet communication cannot be performed even after taking the above actions, the possible cause is a failure of the connected device.

Refer to the check items in Page 122, Section 17.3.3 (3).

(3) Ethernet communication is not possible with the connected device.

If Ethernet communication is not possible with the connected device, check the following items.

Check item	Corrective action
An error has occurred in a hub.	Remove the error from the hub. *1
The setting on the connected device (personal computer) is incorrect. <ul style="list-style-type: none"> • IP address setting • Ethernet port setting • Firewall setting • Communication setting in security software 	Correct the setting on the connected device.
IP addresses are duplicated.	<ul style="list-style-type: none"> • Correct the IP address of the connected device so that it differs from the address of the CPU module. • Disconnect a device from the network and perform a PING test to the IP address of the disconnected device. If a response message is returned, the same IP address exists in the network. Correct the IP address(es).
The SD/RD LED of the CPU module is not flashing during communication.	Confirm the wiring.
The ERR.LED was turned on or flashing when power is reapplied.	Remove the cause of the error. (☞ Page 114, Section 17.2)
When parameters are read after switching to USB connection, the Built-in Ethernet Port Setting is incorrect.	Correct the parameter.
In the Status of Each Connection tab in the "Ethernet Diagnostics" window, MELSOFT Direct Connection is set to the forced deactivation status.	Disable the forced deactivation.
In the Error History tab in the "Ethernet Diagnostics" window, an error for direct connection is detected.	Take corrective actions according to the error code. (☞ Page 259, Appendix 1.11)

Check item	Corrective action
The number of connections with devices (personal computers) exceeds the number set in parameter (the number of "MELSOFT connection" for each TCP and UDP in the open setting).	Connect devices (personal computers) within the number of connections set in parameter.
A device was powered off with the TCP/IP connection open.	<p>The TCP/IP connection is left open.</p> <p>Perform the following:</p> <ul style="list-style-type: none"> • Wait for a minute, and after it is closed by the alive check function of the CPU module, retry the communication. • Increase the number of connections in the setting to reserve a spare connection.
In the Host Station Detailed Setting window in the Transfer Setup setting, increasing the "Check at Communication Time" or "Retry Times" value enables communication.	<ul style="list-style-type: none"> • Adjust the "Check at Communication Time" or "Retry Times" value. • Check the condition of the cables, connected device (personal computer), and CPU module.
<p>Any of the following settings is incorrect on the CPU module or connected device side.</p> <ul style="list-style-type: none"> • Network address • Default router IP address • Subnet mask pattern • Router IP address • Subnet mask 	Correct the setting.
When a router is used, an error has occurred in the router.	Remove the error from the router.
When a router is used, the setting on the router is incorrect.	Correct the setting on the router.
A device such as the CPU module, connected device (personal computer), hub, or router on the network is replaced. (The devices before and after replacement have the same IP address.)	Reset all the devices on the network.*2
Communication is possible after replacement of the hub or router.	<p>The hub or router may be faulty.</p> <p>Replace the hub or router.</p>

If Ethernet communication cannot be performed even after taking the above actions, the possible cause is a hardware failure.

Please consult your local Mitsubishi representative.

- *1 If the switching hub is reconnected to the personal computer or CPU module or is replaced with another, it will take time to read the MAC addresses.
In that case, retry after a little while, or reapply power to the hub. If a dummy UDP message is sent by the socket communication function, the switching hub may learn the MAC addresses again.
- *2 Devices on the Ethernet network have the "ARP cache", which is the correspondence table of the IP address and MAC address.
When a device on the network is replaced with a device of the same IP address, their MAC addresses stored in each "ARP cache" become inconsistent. This may cause abnormal communication.
The "ARP cache" is updated when the device is reset or after a certain period of time has elapsed. The time required for update differs depending on devices.

(4) Communication is slow or unstable.

If communication is slow or unstable, check the following items.

Check item	Corrective action
IP addresses are duplicated.	Correct the duplicate IP address(es). The duplicate IP addresses are checked in the following way. <ul style="list-style-type: none"> • By using the Find CPU function • By disconnecting a device from the network and performing a PING test to the IP address of the disconnected device. If a response message is returned, the same IP address exists in the network.
The number of UDP connections exceeds the number set in parameter (the number of "UDP" for each MELSOFT connection and MC protocol in the open setting).	Keep the number of UDP connections within the number set in parameter.
Data are communicated using UDP.	Communicate data using TCP.
Communication is not retried.	Retry communication. Increase the number of retries.
The hub, router, or cable is faulty.	Replace the hub, router, or cable.
Communication of devices other than the CPU module is not stable.	<ul style="list-style-type: none"> • Take noise reduction measures. • Check the amount of network traffic. If the traffic causes instability, reduce the amount of traffic.
Many of unnecessary broadcast data are received. (The broadcast data volume can be checked in "Connection Status" of Ethernet diagnostics.)	To reduce the Ethernet communication load of the CPU module, increase the service processing time in the service processing setting of the PLC parameter. <hr/> Reduce the broadcast data volume on the network. <ul style="list-style-type: none"> • Identify a broadcasting device (such as a personal computer and a router), and restrict the broadcast data volume. • Filter broadcast data with a router and prevent the CPU module from receiving them. • Separate the network with frequent broadcasts from the network of the CPU module.
The Ethernet communication load of the CPU module is high.	<ul style="list-style-type: none"> • Increase the service processing time in the service processing setting of the PLC parameter. • Reduce the number of connected devices. • Reduce the communication frequency per connection and data volume.
An interrupt program is used.	Reduce the frequency and processing time of the interrupt program.

17.3.4 Communication through RS-232 and RS-422/485

If communication with the external device is not possible, check the following items.

(1) Communication through RS-232 is not possible.

(a) The CPU module cannot receive messages from the external device.

Check item	Corrective action
The signal wires are connected incorrectly.	Connect the signal wires correctly.
While relaying between RS-232 and RS-422, the setting or wiring of the converter is incorrect.	Check the specifications of the converter to reset or reroute it.
The "Adapter Serial Setting" in the PLC parameters or "Select Function" for "Built-in Serial Setting" is incorrect.	Correct "Select Function".
The first byte of the sent message is different from data required for the set protocol.	Messages that match each protocol must be transmitted from the external device.
When communicating via MC protocol, the specified station number of messages is incorrect.	Set the station number of messages to 0.

If the CPU module cannot receive messages from the external device even after taking the above actions, the possible cause is a hardware failure.

Please consult your local Mitsubishi representative.

(b) The external device cannot receive messages from the CPU module.

Check item	Corrective action
The signal wires are connected incorrectly.	Connect the signal wires correctly.
While relaying between RS-232 and RS-422, the setting or wiring of the converter is incorrect.	Check the specifications of the converter to reset or reroute it.
The "Adapter Serial Setting" in the PLC parameters or "Select Function" for "Built-in Serial Setting" is incorrect.	Correct "Select Function".
The first byte of the sent message is different from data required for the set protocol.	Messages that match each protocol must be transmitted from the CPU module.

If the external device cannot receive messages from the CPU module even after taking the above actions, the possible cause is a hardware failure.

Please consult your local Mitsubishi representative.

(c) Communication is slow or unstable.

Check item	Corrective action
The signal cable is poorly connected.	Replace the cable or securely fix the connection.
Transmission is started before the external device is ready to receive data.	According to the setting of the external device, increase the delay time from the completion of reception to the start of transmission.

If communication is slow or unstable even after taking the above actions, the possible cause is a hardware failure.

Please consult your local Mitsubishi representative.

(2) Communication through RS-422/485 is not possible.

(a) The CPU module cannot receive messages from the external device.

Check item		Corrective action
The RD LED does not flash or turn on.	The signal wires are connected incorrectly.	Connect the signal wires correctly.
	While relaying between RS-232 and RS-422, the setting or wiring of the converter is incorrect.	Check the specifications of the converter to reset or reroute it.
	The terminal block and the adapter are not fully connected.	Firmly insert the terminal block all the way and fasten it with screws.
The RD LED flashes or turns on.	The "Select Function" of "Adapter Serial Setting" in the PLC parameters is incorrect.	Correct "Select Function".
	The first byte of the sent message is different from data required for the set protocol.	Messages that match each protocol must be transmitted from the external device.
	When communicating via MC protocol, the specified station number of messages is incorrect.	The specified station number of messages must be the same as the specified station number of the CPU module.

If the CPU module cannot receive messages from the external device even after taking the above actions, the possible cause is a hardware failure.

Please consult your local Mitsubishi representative.

(b) The external device cannot receive messages from the CPU module.

Check item		Corrective action
The SD LED does not flash or turn on.	The signal wires are connected incorrectly.	Connect the signal wires correctly.
	While relaying between RS-232 and RS-422, the setting or wiring of the converter is incorrect.	Check the specifications of the converter to reset or reroute it.
	The terminal block and the adapter are not fully connected.	Firmly insert the terminal block all the way and fasten it with screws.
	The "Select Function" of "Adapter Serial Setting" in the PLC parameters is incorrect.	Correct "Select Function".
The SD LED flashes or turns on.	The first byte of the sent message is different from data required for the set protocol.	Messages that match each protocol must be transmitted from the external device.
The SD LED and RD LED flash simultaneously.	The CPU module cannot transmit messages.	Check whether the DIP switch setting of the RS-422/485 adapter is identical to the "Adapter Serial Setting" in PLC parameters. If not identical, change the setting to make them identical.

If the external device cannot receive messages from the CPU module even after taking the above actions, the possible cause is a hardware failure.

Please consult your local Mitsubishi representative.

(c) Communication is slow or unstable.

Check item	Corrective action
The signal cable is poorly connected.	Replace the cable or securely fix the connection.
Transmission is started before the external device is ready to receive data.	According to the setting of the external device, increase the delay time from the completion of reception to the start of transmission.
In the case of two-wire connection, transmitted data is returned and received.	Select "Disable echo back".

If communication is slow or unstable even after taking the above actions, the possible cause is a hardware failure.

Please consult your local Mitsubishi representative.

17.3.5 Predefined protocol function

(1) Data communication is not possible

If data communication through the predefined protocol function is not possible, check the following items.

Check item	Corrective action
The relevant connection has not been opened (for built-in Ethernet).	Perform OPEN processing of the connection with the external device.
In "Open Settings" for "Built-in Ethernet port setting" in PLC parameter, "Predefined protocol" is not selected for "Open system" (for built-in Ethernet).	Set the "Open system" to "Predefined protocol".
"Built-in Serial Setting" in PLC parameter or "Select Function" of "Adapter Serial Setting" is not set to "Predefined protocol" (for RS-232 or RS-422/485).	Set the "Select Function" to "Predefined protocol".
SM1354 (Predefined protocol ready) for built-in Ethernet or SM1332 (Predefined protocol ready) for RS-232 and RS-422/485 does not turn on.	After the protocol setting is written, turn off and on the power, reset or check the protocol setting.
Execution instruction for the predefined protocol is aborted.	Check the execution result in the completion status area of the predefined protocol execution instruction, and eliminate the error cause.
In the control data of the predefined protocol execution instruction, the execution protocol number is not specified, or the specified protocol number is outside the range.	Specify the execution protocol number in the control data of the predefined protocol execution instruction.
Communication status of the external device is abnormal.	Correct the error of the external device.

(2) Reading or writing of protocol setting is not possible.

If reading or writing of protocol setting is not possible, check the following items.

Check item	Corrective action
(Reading) Protocol setting data cannot be read.	Check whether protocol setting is written to the target drive. If the value in the special register area (Predefined protocol setting data error information) ^{*1} is 0, and the area (Number of protocols registered) ^{*2} is 0, protocol setting has not been written to the target drive.
(Writing) At power-on, reset or protocol setting check after protocol setting is written to the CPU module, the protocol setting data error (error code) occurs.	Check whether the written protocol setting is incorrect. Check the value in the special register area (Predefined protocol setting data error information) ^{*1} , and correct the protocol where the protocol setting data error was detected (protocol number, packet number, component number). After correction, write the protocol setting again.

*1 Built-in Ethernet: SD1359 to SD1362, RS-232 and RS-422/485: SD1337 to SD1340

*2 Built-in Ethernet: SD1363, RS-232 and RS-422/485: SD1341

If communication is not possible even after taking the above actions, the possible cause is a hardware failure. Please consult your local Mitsubishi representative.

17.3.6 Socket communication function

For details on the socket communication function, refer to the following.

📖 MELSEC-L CPU Module User's Manual (Built-In Ethernet Function)

(1) The connected device cannot receive data.

If data were not delivered to the target device, check the following items.

Check item	Corrective action
The connection has not been opened yet. (Check the corresponding bit in SD1282.)	Wait until the connection is completed.
An error was detected in Ethernet Diagnostics.	Remove the cause of the error.
A parameter or a setting data for SOCOPEN is incorrect.	Correct the parameter or setting data.
The SOCSND instruction was not executed. (Check the start contact and failure device.)	Correct the execution condition, or remove the cause of the error that is identified by the error code in the completion status area of the SOCSND instruction.
The connected device has an error.	Correct the error of the connected device.

(2) Data cannot be received.

If the CPU cannot receive data from the connected device, check the following items.

Check item	Corrective action
The connection has not been opened yet. (Check the corresponding bit in SD1282.)	Wait until the connection is completed.
An error was detected in Ethernet Diagnostics.	Remove the cause of the error.
A parameter or a setting data for SOCOPEN is incorrect.	Correct the parameter or setting data.
The SOCRCV instruction was not executed. (Check the start contact and failure device.)	Correct the execution condition, or remove the cause of the error that is identified by the error code in the completion status area of the SOCOPEN instruction.
The connected device has an error.	Correct the error of the connected device.

(3) The open processing is not completed.

If the open processing is not completed, check the following items.

(a) Passive open

Check item	Corrective action
The parameter is incorrect.	Correct the parameter.
The connected device has an error.	Correct the error of the connected device.

(b) Active open

Check item	Corrective action
An error was detected in the Ethernet diagnostics.	Remove the cause of the error.
A parameter or a setting data for SOCOPEN is incorrect.	Correct the parameter or setting data.
The SOCRCV instruction was not executed. (Check the start contact and failure device.)	Correct the execution condition, or remove the cause of the error that is identified by the error code in the completion status area of the SOCRCV instruction.
The connected device has an error.	Correct the error of the connected device.

17.3.7 Simple PLC communication function

For details on the simple PLC communication function, refer to the following.

📖 MELSEC-L CPU Module User's Manual (Built-In Ethernet Function)

(1) Communication with a communication target station is not possible.

If the specified device data cannot be communicated with a target station, check the following items.

Check item	Corrective action
An error was detected in the simple PLC communication status diagnostics, or Ethernet diagnostics (simple PLC communication status).	Remove the cause of the error. When communication is enabled by increasing the communication retry count and communication timeout time, revise the communication retry count and communication timeout time, or, check the status of devices (such as cables, hubs, and routers) on the Ethernet network, and confirm that the traffic on the communication line is not heavy.
The simple PLC communication status does not change from "Preparing".	Check that the cable between the CPU module and the hub is connected properly and that the hub operates normally.
After the simple PLC communication setting was changed, the CPU module has not been powered off and on or has not been reset.	Power off and on or reset the CPU module to which the setting is written.

If communication cannot be performed even after taking the above actions, the possible cause is a hardware failure.

Please consult your local Mitsubishi representative.

(2) Communication with a communication target station is unstable.

If communication with a target station is unstable, check the following items.

Check item	Corrective action
An error was detected in the simple PLC communication status diagnostics, or Ethernet diagnostics (simple PLC communication status).	Remove the cause of the error.
The communication retry has occurred.	Check the status of devices (such as cables, hubs, and routers) on the Ethernet network, and confirm that the traffic on the communication line is not heavy.

(3) Communication is not performed at preset intervals.

If communication is not performed at preset intervals, check the following items.

Check item	Corrective action
Too many settings are configured for one communication target module in the simple PLC communication setting, or, a communication retry has occurred in communications with the same target module which has a different setting number.	<ul style="list-style-type: none"> • Reduce the number of settings for one communication target module. (Put several settings into one setting as much as possible.) • Remove the cause of the communication retry that has occurred in communications with the same target module having a different setting number.
Another Ethernet function is simultaneously executed in a CPU module which is set to perform the simple PLC communication.	Reconsider the Ethernet function which is simultaneously executed in the CPU module which is set to perform the simple PLC communication.
The service processing (such as monitoring) load is high or the scan time is long in the communication target CPU module.	<ul style="list-style-type: none"> • When the model of the communication target is the one supported by the service processing setting, increase the number or time of the service processing. • When the communication target is the Q00(J)CPU, Q01CPU, Qn(H)CPU, or QnPHCPU, increase the value in Time reserved for communication processing (SM315 and SD315). • When the communication target is the QnACPU, use separate Ethernet modules for the simple PLC communication function and the other functions (service processing). In the "PLC system" tab in "PLC parameter" of the destination QnACPU, increase the value of "General data processing". • When the communication target supports the COM or CCOM instruction, use these instructions in the sequence program of the communication target. • Revise the preset interval.
The load of Ethernet communication is high.	Check the status of devices (such as cables, hubs, and routers) on the Ethernet network, and reduce the load or improve the communication quality.
The quality of Ethernet communication is low.	
The communication destination is an SLMP-compatible device (QnA-compatible 3E frame) and the response from the SLMP-compatible device is delayed.	<ul style="list-style-type: none"> • Check the function execution status of the communication destination. • Revise the preset interval.

(4) The update by reading and writing the device data is slow.


If the update by reading and writing the device data is slow, check the following.

Check item	Corrective action
The scan time is long in the communication target CPU module which is set to perform the simple PLC communication.	Use the COM or CCOM instructions in the sequence program of the CPU module which is set to perform the simple PLC communication.

17.3.8 Serial communication function


If communication via MC protocol is not possible using the RS-232 interface of the CPU module, the RS-232 adapter, or RS-422/485 adapter, check the following items.

(1) A response message is returned to the external device.


Check item	Corrective action
The end code of the response message is not 0.	Check the end code and error code, and correct the errors.
The station number of a command is incorrect.	Correct the station number, and transmit the command again.
The setting of command format such as command type, device and address is incorrect.	Refer to the following manual to correct the message.  MELSEC Communication Protocol Reference Manual

If communication is not possible even after taking the above actions, the possible cause is a hardware failure. Please consult your local Mitsubishi representative.

(2) A response message is not returned to the external device.

Check item	Corrective action
A command is not transmitted from the external device.	Send the command from the external device to the CPU module.
The communication rate is not identical to the external device.	Make the communication rate identical to the external device.
The data bit length is not identical to the external device.	Correct the data bit length, and then send the command again.
The presence of the parity bit is not identical to the external device.	Correct the presence of the parity bit, and then send the command again.
The stop bit length is not identical to the external device.	Correct the stop bit length, and then send the command again.
The presence of sum check is not identical to the external device.	Correct the presence of sum check, and then send the command again.
The specified station number of a command is incorrect.	Correct the station number, and transmit the command again.
The communication code setting (binary/ASCII) and transmitted command are not identical.	Send the command that match the communication code setting.
The setting of command format such as command type, device and address is incorrect.	Refer to the following manual to correct the message.  MELSEC Communication Protocol Reference Manual
Requests are sent simultaneously from multiple external devices.	Avoid simultaneous transmission of requests from multiple external devices.

If communication is not possible even after taking the above actions, perform the following troubleshooting.

 Page 125, Section 17.3.4

17.3.9 General-purpose I/O function

(1) An input signal does not turn on.

If an input signal does not turn on, check the following items.

Check item	Corrective action
The general-purpose input function is not set to the input signal.	Correct the parameter.
A voltage greater than or equal to the input on voltage is not applied between the input terminal and the COM terminal.	Check wiring with external devices and correct it.

If the input signal does not turn on even after taking the above actions, the possible cause is a hardware failure. Please consult your local Mitsubishi representative.

(2) The OUT LED does not turn on.

If the OUT LED does not turn on, check the following items.

Check item	Corrective action
The general-purpose output function is not set to the output signal.	Correct the parameter.
The device (Y) is not on in the monitor screen of a programming tool.	Correct the program.
The output number is incorrect.	Correct the output number.
When forced output is performed from a programming tool while the CPU module is in the STOP status, the OUT LED corresponding to the output turns on.	Correct the program.

If the OUT LED does not turn on even after taking the above actions, the possible cause is a hardware failure. Please consult your local Mitsubishi representative.

17.3.10 Interrupt input function

If an interrupt program does not run, check the following items.

Check item	Corrective action
The interrupt input function is not set to the input signal.	Correct the parameter.
A voltage greater than or equal to the input on voltage is not applied between the input terminal and the COM terminal.	Check wiring with external devices and correct it.
The interrupt pointer (I) number is incorrect.	Correct the program.
The EI instruction is not executed.	
The interrupt program is set to be disabled by the IMASK instruction.	

If the interrupt program does not run even after taking the above actions, the possible cause is a hardware failure. Please consult your local Mitsubishi representative.

17.3.11 Pulse catch function

If pulses are not detected, check the following items.

Check item	Corrective action
The pulse catch function is not set to the input signal.	Correct the parameter.
A voltage greater than or equal to the input on voltage is not applied between the input terminal and the COM terminal.	Check wiring with external devices and correct it.
The input response time is improperly set.	Set the input response time shorter than the pulse width.
Detectable pulses are not input.	If the pulse width is shorter than the minimum input response time, the pulse signals are not detected. Set the pulse width longer or use the high-speed counter function.

If pulses are not detected even after taking the above actions, the possible cause is a hardware failure.
Please consult your local Mitsubishi representative.

17.3.12 Positioning function

The check items and actions in this section are described in the case of axis 1.

For special relay and special register for other channels, refer to the following.

- Special relay:  Page 304, Appendix 2
- Special register:  Page 353, Appendix 3

If a motor does not rotate, check the following items.

Check item	Corrective action
The positioning function is not set to the output signal.	Correct the parameter.
Axis 1 axis operation status (SD1844) indicates "stopped" (1).	Review the program stopped.
Axis 1 current feed value (SD1840, SD1841) does not change after positioning control is performed.	Review the start program.
The pulse output mode setting does not meet the specifications of the drive unit.	Set the pulse output mode so that it can meet the specifications of the drive unit.
The logic of pulse output does not match with the one set for the drive unit.	Set the drive unit to negative logic.

If the motor does not rotate even after taking the above actions, the possible cause is a hardware failure.
Please consult your local Mitsubishi representative.

17.3.13 High-speed counter function

The check items and actions in this section are described in the case of CH1.
For special relay and special register for other channels, refer to the following.

- Special relay:  Page 304, Appendix 2
- Special register:  Page 353, Appendix 3

(1) Pulses are not counted.

If pulses are not counted in normal mode, check the following items.

Check item	Corrective action
When a voltage is applied to the pulse input terminal, the LED corresponding to the input does not turn on.	The possible cause is a hardware failure. Please consult your local Mitsubishi representative.
The count enable command remains off.	Turn on the count enable command.
The set pulse input mode differs from the actual pulse input method.	Correct the parameter.
Pulses are input at a speed faster than the speed configured at counting speed setting.	Input pulses at a speed slower than or equal to the speed configured at counting speed setting.

If pulses are not counted even after taking the above actions, the possible cause is a hardware failure.
Please consult your local Mitsubishi representative.

(2) Pulses are not normally counted.

If pulses are not normally counted in normal mode, check the following items.

Check item	Corrective action
An input pulse waveform does not meet the performance specifications.	Input pulses meeting the performance specifications.
Shielded twisted pair cables are not used for pulse input wiring.	Change the cables with shielded twisted pair cables.
Noise reduction measures are not taken in the control panel or to adjacent devices.	Take noise reduction measures.
Distance between the power equipment and the pulse input cables is short.	Install the pulse input cables alone in a duct and wire the cables away from power cables by 100mm or more in the control panel.
In ring counter, the preset function is performed outside the count range.	Perform the preset function within the count range of the ring counter.
Pulses are input at a speed faster than the speed configured at counting speed setting.	Input pulses at a speed slower than or equal to the speed configured at counting speed setting.

If pulses are not normally counted even after taking the above actions, the possible cause is a hardware failure.
Please consult your local Mitsubishi representative.

(3) The current value cannot be replaced with the preset value.

If the current value is not preset in normal mode, check the following items.

(a) When not using the preset at coincidence output function

Check item	Corrective action
The on width and off width of the preset command or time from when the preset value setting is changed until when the current value is replaced is within 2ms.	Correct the time to 2ms or more.
CH1 external preset (phase Z) request detection (SM1886) is on.	Turn off this relay by turning on CH1 external preset (phase Z) request detection reset command (SM1897).

If the current value cannot be replaced with the preset value even after taking the above actions, the possible cause is a hardware failure.

Please consult your local Mitsubishi representative.

(b) When using the preset at coincidence output function

Check item	Corrective action
"Preset" is not selected for "Coincidence Output Time Preset Setting".	Correct the parameter.
CH1 external preset (phase Z) request detection (SM1886) is on.	Turn off this relay by turning on CH1 external preset (phase Z) request detection reset command (SM1897).
CH1 counter value coincidence (No.1) (SM1881) remains on.	Before the preset function is performed, turn off this relay by turning on CH1 coincidence signal No.1 reset command (SM1890).

If the current value cannot be replaced with the preset value even after taking the above actions, the possible cause is a hardware failure.

Please consult your local Mitsubishi representative.

(4) Counter value coincidence (No.n) does not turn on.

If CH1 counter value coincidence (No.n) (SM1881, SM1884) does not turn on in normal mode, check the following items.

Check item	Corrective action
CH1 coincidence signal No.n reset command (SM1890, SM1891) is on.	Turn off this relay.
In ring counter, the coincidence output No.n point setting value is configured outside the count range.	Configure the coincidence output No.n point setting value within the count range by Coincidence output point write instruction.

If CH1 counter value coincidence (No.n) does not turn on even after taking the above actions, the possible cause is a hardware failure.

Please consult your local Mitsubishi representative.

(5) Counter value coincidence (No.n) does not turn off.

If CH1 counter value coincidence (No.n) (SM1881, SM1884) does not turn off in normal mode, check the on width of CH1 coincidence signal No.n reset command (SM1890, SM1891).

If the on width of CH1 coincidence signal No.n reset command is longer than or equal to 2ms and CH1 counter value coincidence (No.n) does not turn off, the possible cause is a hardware failure.

Please consult your local Mitsubishi representative.

(6) Coincidence output signal No.n does not turn on while counter value coincidence (No.n) is on.

If Coincidence output signal No.n does not turn on while CH1 counter value coincidence (No.n) (SM1881, CSM1884) is on in normal mode, check the following items.

Check item	Corrective action
"Counter CH1 Coincidence Output No.n" is not selected in "Output Signal Function Selection".	Correct the parameter.
CH1 coincidence output enable command (SM1892) remains off.	Turn on this relay.

If Coincidence output signal No.n does not turn on even after taking the above actions, the possible cause is a hardware failure.

Please consult your local Mitsubishi representative.

(7) Coincidence detection interrupt does not occur.

If coincidence detection interrupt does not occur in normal mode, check the following items.

Check item	Corrective action
"Used" is not selected for "Coincidence Detection Interrupt Setting".	Correct the parameter.
The usage of the program execution control instruction is incorrect.	Correct the program.
CH1 counter value coincidence (No.n) (SM1881, SM1884) remains on.	Before the preset function is performed, turn off this relay by turning on CH1 coincidence signal No.n reset command (SM1890, SM1891).

If coincidence detection interrupt does not occur even after taking the above actions, the possible cause is a hardware failure.

Please consult your local Mitsubishi representative.

(8) The selected counter function does not start.

If the selected counter function does not start in normal mode, check the following items.

(a) When using the selected counter function start command

Check item	Corrective action
The selected counter function cannot be started by CH1 selected counter function start command (SM1896).	Start the selected counter function using the function input terminal.
When the selected counter function is started at the rise of CH1 selected counter function start command, the on width and off width of this relay is less than 2ms.	Set the on and off width of this relay to 2ms or more.
The function input terminal is on.	Turn off the function input terminal.

If the selected counter function does not start even after taking the above actions, the possible cause is a hardware failure.

Please consult your local Mitsubishi representative.

(b) When using a function input terminal

Check item	Corrective action
"Function Input" is not selected in "Input Signal Function Selection".	Correct the parameter.
CH1 selected counter function start command (SM1896) is on.	Turn off this relay.

If the selected counter function does not start even after taking the above actions, the possible cause is a hardware failure.

Please consult your local Mitsubishi representative.

(9) The latch counter function cannot be performed using the latch counter input terminal.

If the latch counter function cannot be performed using the latch counter input terminal (LATCHn) in normal mode, check if "Latch Counter" is set in "Input Signal Function Selection" in the parameter.

If this item is selected, the possible cause is a hardware failure.

Please consult your local Mitsubishi representative.

(10) A frequency is not measured.

If a frequency is not measured in frequency measurement mode, check the following items.

Check item	Corrective action
When a voltage is applied to the pulse input terminal, the LED corresponding to the input does not turn on.	The possible cause is a hardware failure. Please consult your local Mitsubishi representative.
The frequency measurement flag of CH1 (SD1882, b4) does not indicate "operating" (1).	Execute Frequency measurement instruction.
The set pulse input mode differs from the actual pulse input method.	Correct the parameter.
Pulses are input at a speed faster than the speed configured at counting speed setting.	Input pulses at a speed slower than or equal to the speed configured at counting speed setting.

If a frequency is not measured even after taking the above actions, the possible cause is a hardware failure.

Please consult your local Mitsubishi representative.

(11) A frequency is not normally measured.

If a frequency is not normally measured in frequency measurement mode, check the following items.

Check item	Corrective action
An input pulse waveform does not meet the performance specifications.	Input pulses meeting the performance specifications.
Shielded twisted pair cables are not used for pulse input wiring.	Change the cables with shielded twisted pair cables.
Noise reduction measures are not taken in the control panel or to adjacent devices.	Take noise reduction measures.
Distance between the power equipment and the pulse input cables is short.	Install the pulse input cables alone in a duct and wire the cables away from power cables by 100mm or more in the control panel.
Pulses are input at a speed faster than the speed configured at counting speed setting.	Input pulses at a speed slower than or equal to the speed configured at counting speed setting.

If a frequency is not normally measured even after taking the above actions, the possible cause is a hardware failure.

Please consult your local Mitsubishi representative.

(12)A rotation speed is not measured.

If a rotation speed is not measured in rotation speed measurement mode, check the following items.

Check item	Corrective action
When a voltage is applied to the pulse input terminal, the LED corresponding to the input does not turn on.	The possible cause is a hardware failure. Please consult your local Mitsubishi representative.
The rotation speed measurement flag of CH1 (SD1882, b5) does not indicate "operating" (1).	Execute the rotation speed measurement instruction.
The set pulse input mode differs from the actual pulse input method.	Correct the parameter.
Pulses are input at a speed faster than the speed configured at counting speed setting.	Input pulses at a speed slower than or equal to the speed configured at counting speed setting.

If a rotation speed is not measured even after taking the above actions, the possible cause is a hardware failure. Please consult your local Mitsubishi representative.

(13)A rotation speed is not normally measured.

If a rotation speed is not normally measured in rotation speed measurement mode, check the following items.

Check item	Corrective action
An input pulse waveform does not meet the performance specifications.	Input pulses meeting the performance specifications.
Shielded twisted pair cables are not used for pulse input wiring.	Change the cables with shielded twisted pair cables.
Noise reduction measures are not taken in the control panel or to adjacent devices.	Take noise reduction measures.
Distance between the power equipment and the pulse input cables is short.	Install the pulse input cables alone in a duct and wire the cables away from power cables by 100mm or more in the control panel.
Pulses are input at a speed faster than the speed configured at counting speed setting.	Input pulses at a speed slower than or equal to the speed configured at counting speed setting.

If a rotation speed is not normally measured even after taking the above actions, the possible cause is a hardware failure.

Please consult your local Mitsubishi representative.

(14)Pulses are not measured.

If pulses are not measured in pulse measurement mode, check if CH1 pulse measurement start command (SM1898) is on.

If pulses are not measured even if this relay is on, the possible cause is a hardware failure.

Please consult your local Mitsubishi representative.

(15)Pulses are not normally measured.

If pulses are not normally measured in pulse measurement mode, check the following items.

Check item	Corrective action
Shielded twisted pair cables are not used for pulse input wiring.	Change the cables with shielded twisted pair cables.
Noise reduction measures are not taken in the control panel or to adjacent devices.	Take noise reduction measures.
Distance between the power equipment and the pulse input cables is short.	Install the pulse input cables alone in a duct and wire the cables away from power cables by 100mm or more in the control panel.

If pulses are not normally measured even after taking the above actions, the possible cause is a hardware failure. Please consult your local Mitsubishi representative.

(16)PWM output is not normally performed.

If PWM output is not normally performed in PWM output mode, check the following items.

Check item	Corrective action
A cable is wired to the coincidence output No.2 terminal.	Wire the cable to the coincidence output No.1 terminal.
Other than a resistance load is connected to the coincidence output No.1 terminal.	Connect a resistance load to prevent distortion of an output waveform.
Shielded twisted pair cables are not used for PWM output wiring.	Change the cables with shielded twisted pair cables.
Noise reduction measures are not taken in the control panel or to adjacent devices.	Take noise reduction measures.
Distance between the power equipment and the pulse output cables is short.	Install the pulse output cables alone in a duct and wire the cables away from power cables by 100mm or more in the control panel.

Even after the above actions are taken, PWM output may not be performed according to the setting due to effect of the output circuit of the CPU module and connected devices.

However, if an output waveform significantly differs from set output waveform, the possible cause is a hardware failure. Please consult your local Mitsubishi representative.

17.3.14 Display unit

If the display unit behaves abnormally, check the following items.

Check item	Corrective action
Nothing was displayed on the screen but the display came back on after a button is pressed.	The time set to keep the backlight on has elapsed. Check the setting.
"DISPLAY ERROR" (error code: 2900, 2901, 2902) has occurred in the CPU module.	Power off the system and check for connection. (📖 MELSEC-L CPU Module User's Manual (Function Explanation, Program Fundamentals))
"DISPLAY UNIT ERROR" is displayed on the display unit.	
The character on the screen is incorrect even though the language setting is correct. Or any character that is not applicable has been displayed.	The possible cause is a hardware failure of the display unit. Please consult your local Mitsubishi service center or representative, explaining a detailed description of the problem.

If the display unit is not recovered even after taking the above actions, the possible cause is a hardware failure. Please consult your local Mitsubishi representative.

17.3.15 Transmission from an external device


If no response is returned from an external device, check the following items.

Check item	Corrective action
More than one external device is communicating with the CPU module.	<ul style="list-style-type: none"> • Adjust the service processing time in the parameter setting. • Adjust the "Check at Communication Time" or "Retry Times" value. • Check the condition of the cables, connected device (personal computer), and CPU module.
The data logging function is used.	Refer to the troubleshooting section of the following manual. (📖 QnUDVCP/LCPU User's Manual (Data Logging Function))
The RS-232 interface of the CPU module, RS-232 adapter, and RS-422/485 adapter are used to communicate with external devices.	<ul style="list-style-type: none"> • When communicating via MC protocol, readjust the message wait time. • When communicating via predefined protocol, readjust the transmission waiting time.

If communication cannot be performed even after taking the above actions, the possible cause is a hardware failure. Please consult your local Mitsubishi representative.

17.3.16 Operating status of the CPU module

If it takes time for the CPU module to switch the operating status, check the following item.

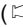


Check item	Corrective action
The data logging function is used.	Refer to the troubleshooting section of the following manual.  QnUDVCP/LCPU User's Manual (Data Logging Function)

If it takes time for the CPU module to switch the operating status even after taking the above action, the possible cause is a hardware failure.

Please consult your local Mitsubishi representative.

17.3.17 END cover with ERR terminal

If the $\overline{\text{ERR}}$ terminal is off (open) at power-on or during operation, check the following items.

Check item	Corrective action
The ERR. LED of the CPU module is flashing.	An error exists. Check the error using a display unit or a programming tool. ( Page 114, Section 17.2)
Power is not supplied.	Supply power.
Power supply voltage is not appropriate.	Supply power voltage within the specified range. ( Page 78, Section 7.2)
The POWER LED of the power supply module turns off.	Perform troubleshooting for the power supply module. ( Page 112, Section 17.1.1)

If the $\overline{\text{ERR}}$ terminal is open even after taking the above actions, the possible cause is a hardware failure.

Please consult your local Mitsubishi representative.

17.3.18 Extension system

In an extension system, if I/O signals of an extension block do not turn on/off, check the following items.

Check item	Corrective action
An extension cable is not connected correctly.	Securely connect the connector part of an extension cable to the module. (Insert the connector until it clicks.)

17.3.19 Space module

(1) Module is always not recognized

When module is always not recognized, check the following items.

Check item	Corrective action
All the modules connected to the right side of the space module cannot be recognized.	<ul style="list-style-type: none"> • Check if the module joint levers are correctly connected. • Connect the space module again, and check if the module can be properly recognized.

When the modules cannot be correctly recognized even after checking the above items, the possible cause is a hardware failure.

Please consult your local Mitsubishi representative.

(2) Module will become unable to be recognized during running.

When module cannot be recognized during system in running, check the following items.

Check item	Corrective action
The modules are connected with the number of modules used exceeding the restrictions.	<ul style="list-style-type: none"> • Use as a set of one module and one space module. • Check the module used in the system, and modify it so that it can meet the restrictions required when the space module is used.
All the modules connected to the right side of the space module will become unable to be recognized.	<ul style="list-style-type: none"> • Check if the module joint levers are correctly connected. • Connect the space module again, and check if the modules can be properly recognized.

When the modules cannot be correctly recognized even after checking the above items, the possible cause is a hardware failure.

Please consult your local Mitsubishi representative.

(3) A deviation in module assignment occurs.

When module is always not recognized, check the following items.

Check item	Corrective action
An error showing the incorrect assignment is displayed on the system monitor of programming tool.	The I/O assignment has been set for the space module through the I/O assignment setting of the PLC parameter of programming tool.
Delete the I/O assignment setting for the space module, and change the I/O assignment setting so that it can match the mounted status that includes no space module.	

When the modules cannot be correctly recognized even after checking the above items, the possible cause is a hardware failure.

Please consult your local Mitsubishi representative.

17.4 Troubleshooting for the Built-In I/O Function

This section describes possible problems with I/O circuits and their corrective actions.

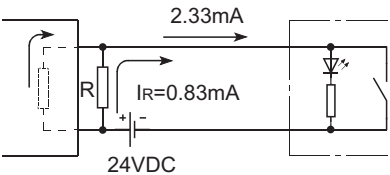
For troubleshooting for I/O modules, refer to the following.

📖 MELSEC-L I/O Module User's Manual

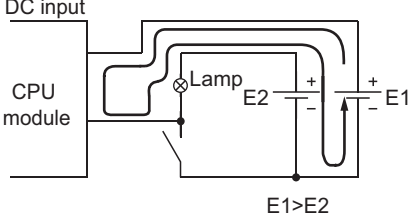
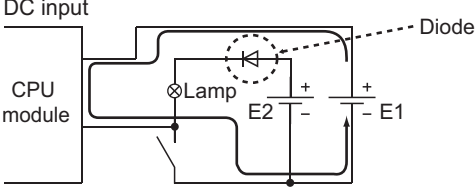
17.4.1 Troubleshooting for input circuit

(1) An input signal does not turn off.

(a) Case 1

Cause	A current exceeding the off current of the module leaks even after a switch with LED indicator is turned off.
Action	<p>Connect an appropriate resistor so that a current across the module may become lower than the off current.</p> <div style="display: flex; align-items: center; justify-content: center;"> <div style="margin-right: 20px;"> <p>$I_z = 1.5\text{mA}$ Input impedance $3.8\text{k}\Omega$</p> </div>  </div>
Calculation example	<p>The resistance value of a connected resistor is calculated by the following formula. Example: A switch with LED indicator that generates a current leakage of 2.33mA when 24VDC is supplied is connected to the CPU module set to high-speed input. Check the following with the specifications of the module.</p> <ul style="list-style-type: none"> • Off current: 1.5mA • Input resistance: 3.8kΩ $I \text{ (Leakage current)} = I_z \text{ (Off current of the CPU module)} + I_R \text{ (Current through the connected resistor)}$ $I_R = I - I_z = 2.33 - 1.5 = 0.83 \text{ [mA]}$ <p>To hold the off current equal to or lower than 1.5mA, connect a resistor (R) so that a current across the resistor may be greater than or equal to 0.83mA. Calculate the resistance value (R) of a connected resistor as follows.</p> <p>$I_R: I_z = Z \text{ (Input impedance): } R$</p> $R < \frac{I_z}{I_R} \times Z \text{ (Input impedance)} = \frac{1.5}{0.83} \times 3.8 = 6.87 \text{ [k}\Omega\text{]}$ <p>→ The resistance value $R < 6.87\text{k}\Omega$ must be met.</p> <p><Checking a connected resistor by calculating the power capacity> When the resistor (R) is 6.2kΩ, for example, the power capacity (W) of the resistor (R) is calculated as follows.</p> $W = \frac{(\text{Input voltage})^2}{R} = \frac{26.4^2}{6200} = 0.112 \text{ [W]}$ <p>Since the resistor requires the power capacity of 3 to 5 times as large as the actual power consumption, the resistor connected to the terminal should be 6.2kΩ and 1/2 to 1W.</p> <p>Off voltage when the resistance (R) is connected is calculated as follows.</p> $\frac{1}{\frac{1}{6.2 \text{ [k}\Omega\text{]}} + \frac{1}{3.8 \text{ [k}\Omega\text{]}}} \times 2.33 \text{ [mA]} = 5.49 \text{ [V]}$ <p>This meets the condition: less than or equal to the off voltage of the CPU module, 8V.</p>

(b) Case 2

Cause	<p>By using two power supplies, a sneak path has been configured.</p>  <p style="text-align: center;">$E1 > E2$</p>
Action	<ul style="list-style-type: none"> • Use one power supply. • To prevent a sneak path, connect a diode as shown below. 

(2) A signal incorrectly inputs data.

Cause	Noise has been taken as input data.
Action	<p>Set the response time longer. Example: 1ms → 5ms</p> <p>If this action is not effective, also take the following two measures.</p> <ul style="list-style-type: none"> • To prevent excessive noise, avoid installing power cables together with I/O cables. • Connect surge absorbers to noise-generating devices such as relays and contactors using the same power supply or take other noise reduction measures.

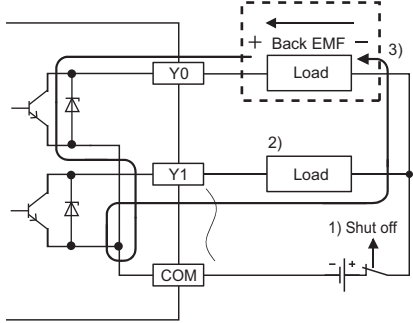
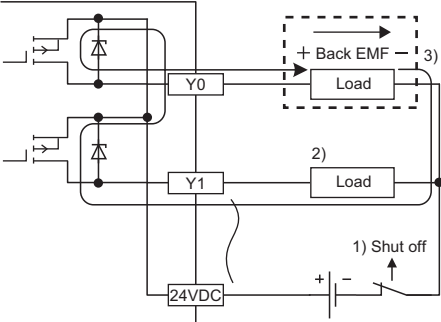
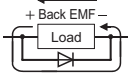
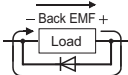
Point

If excessive noise is periodically generated, setting the response time shorter may be effective.
Example: 70ms → 20ms

17.4 Troubleshooting for the Built-In I/O Function
17.4.1 Troubleshooting for Input Circuit

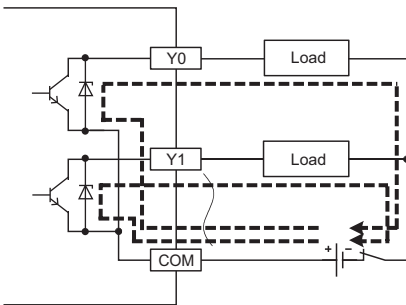
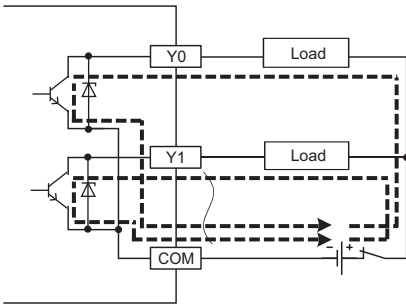
17.4.2 Troubleshooting for output circuit

(1) A load momentarily turns on from off when the system is powered off.

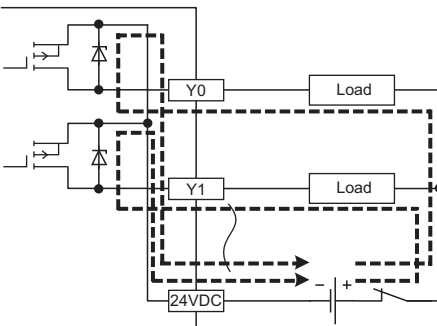
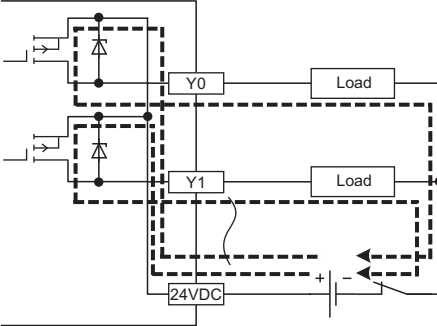
<p>Cause</p>	<p>When an inductive load is connected, 2) Load may turn on from off due to a diversion of back EMF at 1) Shutoff.</p> <ul style="list-style-type: none"> • L02SCPU, L02CPU, L06CPU, L26CPU, L26CPU-BT  <ul style="list-style-type: none"> • L02SCPU-P, L02CPU-P, L06CPU-P, L26CPU-P, L26CPU-PBT 
<p>Action</p>	<p>To suppress the back EMF, connect a diode to 3) parallel to the load where back EMF is generated.</p> <ul style="list-style-type: none"> • L02SCPU, L02CPU, L06CPU, L26CPU, L26CPU-BT  <ul style="list-style-type: none"> • L02SCPU-P, L02CPU-P, L06CPU-P, L26CPU-P, L26CPU-PBT 

(2) All loads turn on.

(a) Case 1

Cause	<p>External wiring for the L02SCPU-P, L02CPU-P, L06CPU-P, L26CPU-P, or L26CPU-PBT is performed to the L02SCPU, L02CPU, L06CPU, L26CPU, or L26CPU-BT.</p> 
Action	<p>Correctly perform the external wiring according to the module used.</p> 

(b) Case 2

Cause	<p>External wiring for the L02SCPU, L02CPU, L06CPU, L26CPU, or L26CPU-BT is performed to the L02SCPU-P, L02CPU-P, L06CPU-P, L26CPU-P, or L26CPU-PBT.</p> 
Action	<p>Correctly perform the external wiring according to the module used.</p> 

17.4 Troubleshooting for the Built-In I/O Function
17.4.2 Troubleshooting for output circuit

17.5 Saving Data

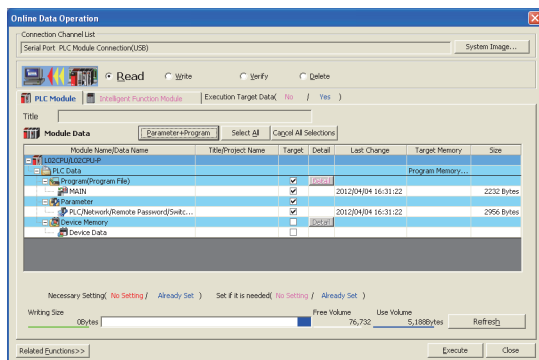
By saving the following data immediately after trouble arises, the data can be useful for analyzing the error cause.

- Programs and parameters
- Device data and buffer memory data
- System configuration data
- Error log

(1) Saving programs and parameters

The following describes a procedure for saving data.

 [Online] ⇒ [Read from PLC...]




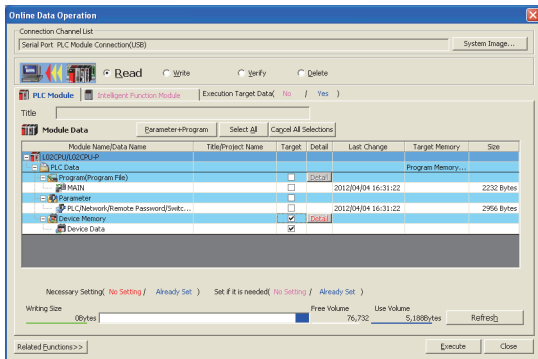
1. Click the [Parameter + Program] button.

2. Click the [Execute] button to execute "Read from PLC".

(2) Saving device data and buffer memory data

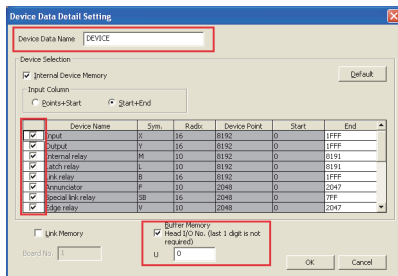
The following describes a procedure for saving data.

 [Online] ⇨ [Read from PLC...]



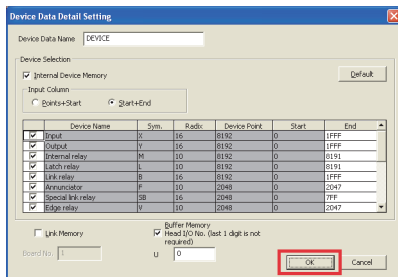
1. Select "Device Memory".

2. Click the [Detail] button.



3. Enter the "Device Data Name" field and select the checkboxes of devices to be saved.

4. Enter the start I/O number in the "Buffer Memory Start Address" field.




5. Click the [OK] button, and then execute "Read from PLC".

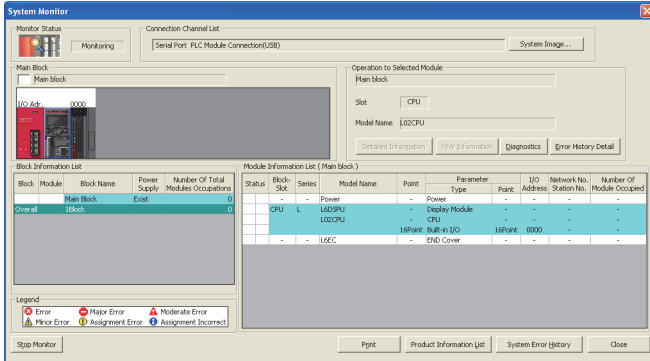


When using a file register, also save file register data.

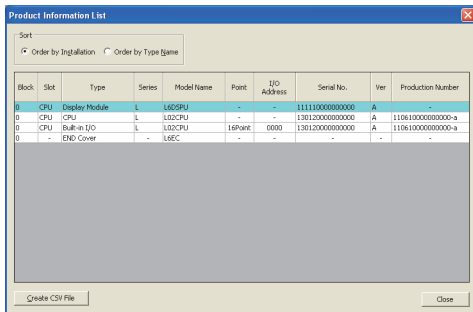
(3) Saving system configuration data

The following describes a procedure for saving data.

 [Diagnostics] ⇨ [System Monitor...]



1. Click the [Product Information List] button.



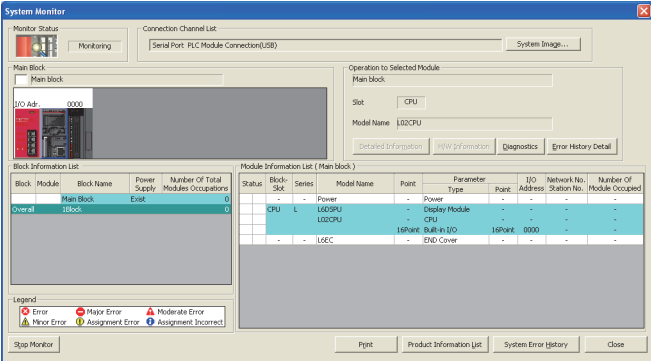
2. Click the [Create CSV File] button.

(4) Saving error log

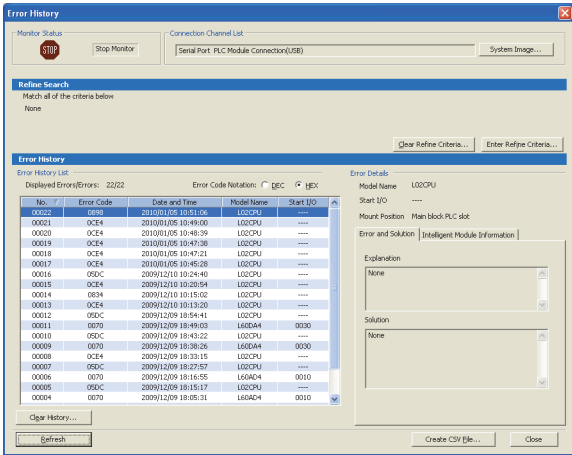
The following describes a procedure for saving data.

[Diagnostics] ⇒ [System Monitor...]

1. Click the [System Error History] button.



2. Click the [Create CSV File] button.



APPENDICES

Appendix 1 Error Codes

When an error occurs at power-on, at switching from STOP to RUN or during RUN, the CPU module indicates the error (LED indication and a message on a display device) by the self-diagnostic function and stores the error information in the special relay (SM) and special register (SD).

When an error occurs at communication request from a programming tool, intelligent function module, or network system to the CPU module, the CPU module returns the error code (4000_H to 4FFF_H) to the request source.

This section describes errors that may occur in the CPU module and corrective actions for the errors.

(1) How to read error code lists

The following describes how to read Appendix 1.3 Error code list (1000 to 1999) to Appendix 1.9 Error code list (7000 to 10000).

Each list contains errors in QCPU and LCPU.

(a) Error code, common information, and individual information

The error code is stored in SD0. The common information is stored in SD5 to SD15. The individual information is stored in SD16 to SD26.

(b) Corresponding CPU

- QCPU: All the Q series CPU modules
- Q00J/Q00/Q01: Basic model QCPU
- Qn(H): High Performance model QCPU
- QnPH: Process CPU
- QnPRH: Redundant CPU
- QnU: Universal model QCPU
- QnUDV: High-speed Universal model QCPU
- QnUDPV: Universal model Process CPU
- Q00UJ/Q00U/Q01U: Q00UJCPU, Q00UCPU, and Q01UCPU
- LCPU: All the L series CPU modules
- CPU module model: Only the specified model (Example: Q02UCPU, L26CPU-BT)

Appendix 1.1 Error codes

There are two types of errors: errors detected by the self-diagnostic function of the CPU module and errors detected during communication with the CPU module. The following table shows the relationship between the error detection pattern, error location, and error code.

Error detection pattern	Error location	Error code	Reference
By the self-diagnostic function of the CPU module	CPU module	1000 to 10000**2	☞ Page 154, Appendix 1.3 to Page 250, Appendix 1.9
During communication with the CPU module	CPU module	4000 _H to 4FFF _H	☞ Page 259, Appendix 1.11
	Serial communication module, etc.	7000 _H to 7FFF _H	User's manuals for the serial communication module, etc.
	CC-Link (including the built-in CC-Link function)	B000 _H to BFFF _H	User's manuals for the CC-Link system master/local module
	Ethernet (including the built-in Ethernet function)	C000 _H to CFBF _H	<ul style="list-style-type: none"> User's manuals for the Ethernet interface module QnUCPU User's Manual (Communication via Built-in Ethernet Port) MELSEC-L CPU Module User's Manual (Built-in Ethernet Function)
	CC-Link IE Field Network Basic	CFC0 _H to CFFF _H	☞ Page 259, Appendix 1.11
	CC-Link IE Field Network	D000 _H to DFFF _H	User's manuals for the CC-Link IE Field Network module used
	CC-Link IE Controller Network	E000 _H to EFFF _H	<ul style="list-style-type: none"> Reference manuals for CC-Link IE Controller Network
MELSECNET/H	F000 _H to FFFF _H	<ul style="list-style-type: none"> Reference manuals for the MELSECNET/H network system Q Corresponding MELSECNET/H Remote I/O Module Reference Manual (MELSECNET/10 Mode) 	

*1 Error codes are classified into three levels.

- Minor error: Errors that allow a CPU module to continue its operation, such as a battery error
- Moderate error: Errors that may cause a CPU module to stop its operation, such as a WDT error (Error code: 1300 to 10000)
- Major error: Errors that may cause a CPU module to stop its operation, such as a RAM error (Error code: 1000 to 1299)

Whether the CPU module continues or stops its operation can be checked in the CPU Status column of the Error code list (☞ Page 154, Appendix 1.3 to Page 250, Appendix 1.9).

*2 If an error code that is not described in the list is detected, please consult your local Mitsubishi representative.

Appendix 1.2 Reading error codes

Error codes can be read using a programming tool. For details on the operating method, refer to the following.

📖 Operating manual for the programming tool used

Appendix 1.3 List of error codes (1000 to 1999)

The following table shows the error messages, the error contents and causes, and the corrective actions for the error codes (1000 to 1999).

Error code	Error and cause	Corrective action	LED status, CPU status	Corresponding CPU
1000	<p>[MAIN CPU DOWN] Runaway or failure of the CPU module</p> <ul style="list-style-type: none"> • Malfunction due to noise or other causes • Hardware failure <p>■Collateral information</p> <ul style="list-style-type: none"> • Common information: - • Individual information: Failure information (QnUDVCPU and QnUDPVCPU only) <p>■Diagnostic timing</p> <ul style="list-style-type: none"> • Always 	<ul style="list-style-type: none"> • Take noise reduction measures. • Reset the CPU module and run it again. If the same error code is displayed again, the cause is a hardware failure of the CPU module. Please consult your local Mitsubishi representative. 	<p>RUN: Off ERR.:Flashing</p> <p>CPU Status:Stop</p>	QCPU
	<p>[CPU UNIT DOWN] Runaway or failure of the CPU module</p> <ul style="list-style-type: none"> • Malfunction due to noise or other causes • Hardware failure <p>■Collateral information</p> <ul style="list-style-type: none"> • Common information: - • Individual information: Failure information <p>■Diagnostic timing</p> <ul style="list-style-type: none"> • Always 			LCPU
1001	<p>[MAIN CPU DOWN] Runaway or failure of the CPU module</p> <ul style="list-style-type: none"> • Malfunction due to noise or other causes • Hardware failure • The devices outside the range was accessed even though device checks are prohibited (SM237 is on). (This error occurs only when any of the BMOV, FMOV, or DFMOV instructions is executed. (Universal model QCPU only)) <p>■Collateral information</p> <ul style="list-style-type: none"> • Common information: - • Individual information: Failure information (QnUDVCPU and QnUDPVCPU only) <p>■Diagnostic timing</p> <ul style="list-style-type: none"> • Always 	<ul style="list-style-type: none"> • Take noise reduction measures. • Reset the CPU module and run it again. If the same error code is displayed again, the cause is a hardware failure of the CPU module. Please consult your local Mitsubishi representative. • Check the devices specified by BMOV, FMOV, and DFMOV instructions and correct the device settings. (Universal model QCPU only) 	<p>RUN: Off ERR.:Flashing</p> <p>CPU Status:Stop</p>	QCPU
	<p>[CPU UNIT DOWN] Runaway or failure of the CPU module</p> <ul style="list-style-type: none"> • Malfunction due to noise or other causes • Hardware failure • The devices outside the range was accessed even though device checks are prohibited (SM237 is on). (This error occurs only when any of the BMOV, FMOV, or DFMOV instruction is executed.) <p>■Collateral information</p> <ul style="list-style-type: none"> • Common information: - • Individual information: Failure information <p>■Diagnostic timing</p> <ul style="list-style-type: none"> • Always 			LCPU

Error code	Error and cause	Corrective action	LED status, CPU status	Corresponding CPU
1002	<p>[MAIN CPU DOWN] Runaway or failure of the CPU module</p> <ul style="list-style-type: none"> Malfunction due to noise or other causes Hardware failure <p>■Collateral information</p> <ul style="list-style-type: none"> Common information: - Individual information: Failure information (QnUDVCPU and QnUDPVCPU only) <p>■Diagnostic timing</p> <ul style="list-style-type: none"> Always 	<ul style="list-style-type: none"> Take noise reduction measures. Reset the CPU module and run it again. If the same error code is displayed again, the cause is a hardware failure of the CPU module. Please consult your local Mitsubishi representative. 	<p>RUN: Off ERR.:Flashing</p> <p>CPU Status:Stop</p>	QCPU
	<p>[CPU UNIT DOWN] Runaway or failure of the CPU module</p> <ul style="list-style-type: none"> Malfunction due to noise or other causes Hardware failure <p>■Collateral information</p> <ul style="list-style-type: none"> Common information: - Individual information: Failure information <p>■Diagnostic timing</p> <ul style="list-style-type: none"> Always 			LCPU
1003	<p>[MAIN CPU DOWN] Runaway or failure of the CPU module</p> <ul style="list-style-type: none"> Malfunction due to noise or other causes Hardware failure <p>■Collateral information</p> <ul style="list-style-type: none"> Common information: - Individual information: Failure information (QnUDVCPU and QnUDPVCPU only) <p>■Diagnostic timing</p> <ul style="list-style-type: none"> Always 	<ul style="list-style-type: none"> Take noise reduction measures. Reset the CPU module and run it again. If the same error code is displayed again, the cause is a hardware failure of the CPU module. Please consult your local Mitsubishi representative. 	<p>RUN: Off ERR.:Flashing</p> <p>CPU Status:Stop</p>	QCPU
	<p>[CPU UNIT DOWN] Runaway or failure of the CPU module</p> <ul style="list-style-type: none"> Malfunction due to noise or other causes Hardware failure <p>■Collateral information</p> <ul style="list-style-type: none"> Common information: - Individual information: Failure information <p>■Diagnostic timing</p> <ul style="list-style-type: none"> Always 			LCPU
1004	<p>[MAIN CPU DOWN] Runaway or failure of the CPU module</p> <ul style="list-style-type: none"> Malfunction due to noise or other causes Hardware failure <p>■Collateral information</p> <ul style="list-style-type: none"> Common information: - Individual information: - <p>■Diagnostic timing</p> <ul style="list-style-type: none"> Always 	<ul style="list-style-type: none"> Take noise reduction measures. Reset the CPU module and run it again. If the same error code is displayed again, the cause is a hardware failure of the CPU module. Please consult your local Mitsubishi representative. 	<p>RUN: Off ERR.:Flashing</p> <p>CPU Status:Stop</p>	QCPU (except the QnUDV and QnUDPV)
	<p>[CPU UNIT DOWN] Runaway or failure of the CPU module</p> <ul style="list-style-type: none"> Malfunction due to noise or other causes Hardware failure <p>■Collateral information</p> <ul style="list-style-type: none"> Common information: - Individual information: Failure information <p>■Diagnostic timing</p> <ul style="list-style-type: none"> Always 			LCPU



Appendix 1 Error Codes
Appendix 1.3 List of error codes (1000 to 1999)

Error code	Error and cause	Corrective action	LED status, CPU status	Corresponding CPU
1005	<p>[MAIN CPU DOWN] Runaway or failure of the CPU module</p> <ul style="list-style-type: none"> • Malfunction due to noise or other causes • Hardware failure <p>■Collateral information</p> <ul style="list-style-type: none"> • Common information: - • Individual information: - <p>■Diagnostic timing</p> <ul style="list-style-type: none"> • Always 	<ul style="list-style-type: none"> • Take noise reduction measures. • Reset the CPU module and run it again. If the same error code is displayed again, the cause is a hardware failure of the CPU module. Please consult your local Mitsubishi representative. 	<p>RUN: Off ERR.:Flashing</p> <p>CPU Status:Stop</p>	QCPU (except the QnUDV and QnUDPV)
	<p>[MAIN CPU DOWN] Boot operation was performed in the transfer destination without formatting.</p> <p>■Collateral information</p> <ul style="list-style-type: none"> • Common information: - • Individual information: - <p>■Diagnostic timing</p> <ul style="list-style-type: none"> • At power-on 	<p>Before performing boot operation by the parameter, select "Clear program memory" to clear the program memory.</p>		Qn(H) QnPH QnPRH
	<p>[CPU UNIT DOWN] Runaway or failure of the CPU module</p> <ul style="list-style-type: none"> • Malfunction due to noise or other causes • Hardware failure <p>■Collateral information</p> <ul style="list-style-type: none"> • Common information: - • Individual information: Failure information <p>■Diagnostic timing</p> <ul style="list-style-type: none"> • Always 	<ul style="list-style-type: none"> • Take noise reduction measures. • Reset the CPU module and run it again. If the same error code is displayed again, the cause is a hardware failure of the CPU module. Please consult your local Mitsubishi representative. 		LCPU
1006	<p>[MAIN CPU DOWN] Runaway or failure of the CPU module</p> <ul style="list-style-type: none"> • Malfunction due to noise or other causes • Hardware failure <p>■Collateral information</p> <ul style="list-style-type: none"> • Common information: - • Individual information: Failure information (QnUDVCPV and QnUDPVCPV only) <p>■Diagnostic timing</p> <ul style="list-style-type: none"> • Always 	<ul style="list-style-type: none"> • Take noise reduction measures. • Reset the CPU module and run it again. If the same error code is displayed again, the cause is a hardware failure of the CPU module. Please consult your local Mitsubishi representative. 	<p>RUN: Off ERR.:Flashing</p> <p>CPU Status:Stop</p>	QCPU
	<p>[CPU UNIT DOWN] Runaway or failure of the CPU module</p> <ul style="list-style-type: none"> • Malfunction due to noise or other causes • Hardware failure <p>■Collateral information</p> <ul style="list-style-type: none"> • Common information: - • Individual information: Failure information <p>■Diagnostic timing</p> <ul style="list-style-type: none"> • Always 			LCPU
1007	<p>[MAIN CPU DOWN] Runaway or failure of the CPU module</p> <ul style="list-style-type: none"> • Malfunction due to noise or other causes • Hardware failure <p>■Collateral information</p> <ul style="list-style-type: none"> • Common information: - • Individual information: - <p>■Diagnostic timing</p> <ul style="list-style-type: none"> • Always 	<ul style="list-style-type: none"> • Take noise reduction measures. • Reset the CPU module and run it again. If the same error code is displayed again, the cause is a hardware failure of the CPU module. Please consult your local Mitsubishi representative. 	<p>RUN: Off ERR.:Flashing</p> <p>CPU Status:Stop</p>	Qn(H) QnPH QnPRH
1008	<p>[MAIN CPU DOWN] Runaway or failure of the CPU module</p> <ul style="list-style-type: none"> • Malfunction due to noise or other causes • Hardware failure <p>■Collateral information</p> <ul style="list-style-type: none"> • Common information: - • Individual information: Failure information (QnUDVCPV and QnUDPVCPV only) <p>■Diagnostic timing</p> <ul style="list-style-type: none"> • Always 	<ul style="list-style-type: none"> • Take noise reduction measures. • Reset the CPU module and run it again. If the same error code is displayed again, the cause is a hardware failure of the CPU module. Please consult your local Mitsubishi representative. 	<p>RUN: Off ERR.:Flashing</p> <p>CPU Status:Stop</p>	Qn(H) QnPH QnPRH QnUDV QnUDPV

Error code	Error and cause	Corrective action	LED status, CPU status	Corresponding CPU
1009	<p>[MAIN CPU DOWN]</p> <ul style="list-style-type: none"> The voltage waveform that is outside the specification is applied to the power supply module, and an error is detected. A failure was detected on the power supply module, CPU module, main base unit, extension base unit or extension cable. When using the redundant base unit, the redundant power supply module failure in both systems and/or the redundant base unit failure are detected. <p>■Collateral information</p> <ul style="list-style-type: none"> Common information: - Individual information: Failure information (QnUDVCPU and QnUDPVCPU only) <p>■Diagnostic timing</p> <ul style="list-style-type: none"> Always 	<ul style="list-style-type: none"> Correct the voltage waveform applied to the power supply module. Reset the CPU module and run it again. If the same error code is detected again, the cause is a failure of the power supply module, CPU module, main base unit, extension base unit, or extension cable. Please consult your local Mitsubishi representative. 	<p>RUN: Off ERR.:Flashing</p> <p>CPU Status:Stop</p>	<p>Q00J/Q00/Q01 Qn(H) QnPH QnPRH QnU</p>
	<p>[CPU UNIT DOWN]</p> <ul style="list-style-type: none"> A failure was detected on the power supply module or CPU module. The voltage waveform that is outside the specification is applied to the power supply module, and an error is detected. <p>■Collateral information</p> <ul style="list-style-type: none"> Common information: - Individual information: Failure information <p>■Diagnostic timing</p> <ul style="list-style-type: none"> Always 	<ul style="list-style-type: none"> Correct the voltage waveform applied to the power supply module. Reset the CPU module and run it again. If the same error code is displayed again, the cause is a hardware failure of the power supply module or CPU module. Please consult your local Mitsubishi representative. 		<p>LCPU</p>
1010	<p>[END NOT EXECUTE]</p> <p>Entire program was executed without the execution of an END instruction.</p> <ul style="list-style-type: none"> When the END instruction is executed it is read as another instruction code, e.g. due to noise. The END instruction has been changed to another instruction code somehow. <p>■Collateral information</p> <ul style="list-style-type: none"> Common information: - Individual information: - <p>■Diagnostic timing</p> <ul style="list-style-type: none"> When an END instruction executed 	<ul style="list-style-type: none"> Take noise reduction measures. Reset the CPU module and run it again. If the same error code is displayed again, the cause is a hardware failure of the CPU module. Please consult your local Mitsubishi representative. 	<p>RUN: Off ERR.:Flashing</p> <p>CPU Status:Stop</p>	<p>QCPU LCPU</p>
1020	<p>[SFCP. END ERROR]</p> <p>The SFC program cannot be normally terminated due to noise or other reason.</p> <ul style="list-style-type: none"> The SFC program cannot be normally terminated due to noise or any similar cause. The SFC program cannot be normally terminated for any other reason. <p>■Collateral information</p> <ul style="list-style-type: none"> Common information: - Individual information: - <p>■Diagnostic timing</p> <ul style="list-style-type: none"> When SFC program is executed 	<ul style="list-style-type: none"> Take noise reduction measures. Reset the CPU module and run it again. If the same error code is displayed again, the cause is a hardware failure of the CPU module. Please consult your local Mitsubishi representative. 	<p>RUN: Off ERR.:Flashing</p> <p>CPU Status:Stop</p>	<p>Q00J/Q00/Q01 QnPH QnU LCPU</p>

A

Appendix 1 Error Codes
Appendix 1.3 List of error codes (1000 to 1999)

Error code	Error and cause	Corrective action	LED status, CPU status	Corresponding CPU
1035	<p>[MAIN CPU DOWN] Runaway or failure of the CPU module</p> <ul style="list-style-type: none"> • Malfunction due to noise or other causes • Hardware failure <p>■Collateral information</p> <ul style="list-style-type: none"> • Common information: - • Individual information: Failure information (QnUDVCP and QnUDPVCPU only) <p>■Diagnostic timing</p> <ul style="list-style-type: none"> • Always 	<ul style="list-style-type: none"> • Take noise reduction measures. • Reset the CPU module and run it again. If the same error code is displayed again, the cause is a hardware failure of the CPU module. Please consult your local Mitsubishi representative. 	<p>RUN: Off ERR.:Flashing</p> <p>CPU Status:Stop</p>	QnU
	<p>[CPU UNIT DOWN] Runaway or failure of the CPU module</p> <ul style="list-style-type: none"> • Malfunction due to noise or other causes • Hardware failure <p>■Collateral information</p> <ul style="list-style-type: none"> • Common information: - • Individual information: Failure information <p>■Diagnostic timing</p> <ul style="list-style-type: none"> • Always 			LCPU
1036	<p>[MAIN CPU DOWN] Runaway or failure of the CPU module</p> <ul style="list-style-type: none"> • Malfunction due to noise or other causes • Hardware failure <p>■Collateral information</p> <ul style="list-style-type: none"> • Common information: - • Individual information: - <p>■Diagnostic timing</p> <ul style="list-style-type: none"> • At power-on/At reset 	<ul style="list-style-type: none"> • Take noise reduction measures. • Reset the CPU module and run it again. If the same error code is displayed again, the cause is a hardware failure of the CPU module. Please consult your local Mitsubishi representative. 	<p>RUN: Off ERR.:Flashing</p> <p>CPU Status:Stop</p>	Q50UDEHCPU Q100UDEHCPU
1040	<p>[CPU UNIT DOWN] Runaway or failure of the CPU module (built-in I/O)</p> <ul style="list-style-type: none"> • Malfunction due to noise or other causes • Hardware failure <p>■Collateral information</p> <ul style="list-style-type: none"> • Common information: - • Individual information: Failure information <p>■Diagnostic timing</p> <ul style="list-style-type: none"> • Always 	<ul style="list-style-type: none"> • Take noise reduction measures. • Reset the CPU module and run it again. If the same error code is displayed again, the cause is a hardware failure of the CPU module. Please consult your local Mitsubishi representative. 	<p>RUN: Off ERR.:Flashing</p> <p>CPU Status:Stop</p>	LCPU
1041	<p>[CPU UNIT DOWN] Runaway or failure of the CPU module (built-in I/O)</p> <ul style="list-style-type: none"> • Malfunction due to noise or other causes • Hardware failure <p>■Collateral information</p> <ul style="list-style-type: none"> • Common information: - • Individual information: Failure information <p>■Diagnostic timing</p> <ul style="list-style-type: none"> • Always 	<ul style="list-style-type: none"> • Take noise reduction measures. • Reset the CPU module and run it again. If the same error code is displayed again, the cause is a hardware failure of the CPU module. Please consult your local Mitsubishi representative. 	<p>RUN: Off ERR.:Flashing</p> <p>CPU Status:Stop</p>	LCPU
1042	<p>[CPU UNIT DOWN] Runaway or failure of the CPU module (built-in I/O)</p> <ul style="list-style-type: none"> • Malfunction due to noise or other causes • Hardware failure <p>■Collateral information</p> <ul style="list-style-type: none"> • Common information: - • Individual information: Failure information <p>■Diagnostic timing</p> <ul style="list-style-type: none"> • Always 	<ul style="list-style-type: none"> • Take noise reduction measures. • Reset the CPU module and run it again. If the same error code is displayed again, the cause is a hardware failure of the CPU module. Please consult your local Mitsubishi representative. 	<p>RUN: Off ERR.:Flashing</p> <p>CPU Status:Stop</p>	LCPU
1043	<p>[MAIN CPU DOWN] Runaway or failure of the CPU module</p> <ul style="list-style-type: none"> • Malfunction due to noise or other causes • Hardware failure <p>■Collateral information</p> <ul style="list-style-type: none"> • Common information: - • Individual information: Failure information <p>■Diagnostic timing</p> <ul style="list-style-type: none"> • Always 	<ul style="list-style-type: none"> • Take noise reduction measures. • Reset the CPU module and run it again. If the same error code is displayed again, the cause is a hardware failure of the CPU module. Please consult your local Mitsubishi representative. 	<p>RUN: Off ERR.:Flashing</p> <p>CPU Status:Stop</p>	QnUDV QnUDPV

Error code	Error and cause	Corrective action	LED status, CPU status	Corresponding CPU
1044	<p>[MAIN CPU DOWN] Runaway or failure of the CPU module</p> <ul style="list-style-type: none"> • Malfunction due to noise or other causes • Hardware failure <p>■Collateral information</p> <ul style="list-style-type: none"> • Common information: - • Individual information: Failure information <p>■Diagnostic timing</p> <ul style="list-style-type: none"> • Always 	<ul style="list-style-type: none"> • Take noise reduction measures. • Reset the CPU module and run it again. If the same error code is displayed again, the cause is a hardware failure of the CPU module. Please consult your local Mitsubishi representative. 	<p>RUN: Off ERR.:Flashing</p> <p>CPU Status:Stop</p>	<p>QnUDV QnUDPV</p>
1045	<p>[CPU UNIT DOWN]</p> <p>(1) The module (built-in I/O or built-in CC-Link) status differs from that obtained at power-on.</p> <p>(2) Runaway or failure of the CPU module (built-in I/O, built-in CC-Link)</p> <ul style="list-style-type: none"> • Malfunction due to noise or other causes • Hardware failure <p>■Collateral information</p> <ul style="list-style-type: none"> • Common information: - • Individual information: Failure information <p>■Diagnostic timing</p> <ul style="list-style-type: none"> • Always 	<ul style="list-style-type: none"> • Take noise reduction measures. • Reset the CPU module and run it again. If the same error code is displayed again, the cause is a hardware failure of the CPU module. Please consult your local Mitsubishi representative. 	<p>RUN: Off ERR.:Flashing</p> <p>CPU Status:Stop</p>	<p>LCPU</p>
1101	<p>[RAM ERROR] The sequence program storing program memory in the CPU module is faulty.</p> <p>■Collateral information</p> <ul style="list-style-type: none"> • Common information: - • Individual information: - <p>■Diagnostic timing</p> <ul style="list-style-type: none"> • At power-on/At reset/When an END instruction executed 	<ul style="list-style-type: none"> • Take noise reduction measures. • Reset the CPU module and run it again. If the same error code is displayed again, the cause is a hardware failure of the CPU module. Please consult your local Mitsubishi representative. 	<p>RUN: Off ERR.:Flashing</p> <p>CPU Status:Stop</p>	<p>QCPU LCPU</p>
1102	<p>[RAM ERROR]</p> <ul style="list-style-type: none"> • The work area RAM in the CPU module is faulty. • The standard RAM in the CPU module is faulty. <p>■Collateral information</p> <ul style="list-style-type: none"> • Common information: - • Individual information: - <p>■Diagnostic timing</p> <ul style="list-style-type: none"> • At power-on/At reset/When an END instruction executed 	<ul style="list-style-type: none"> • Take noise reduction measures. • Reset the CPU module and run it again. If the same error code is displayed again, the cause is a hardware failure of the CPU module. Please consult your local Mitsubishi representative. 	<p>RUN: Off ERR.:Flashing</p> <p>CPU Status:Stop</p>	<p>QCPU LCPU</p>
1103	<p>[RAM ERROR] The device memory in the CPU module is faulty.</p> <p>■Collateral information</p> <ul style="list-style-type: none"> • Common information: - • Individual information: - <p>■Diagnostic timing</p> <ul style="list-style-type: none"> • At power-on/At reset/When an END instruction executed 	<ul style="list-style-type: none"> • Take noise reduction measures. • When indexing is performed, check the value of index register to see if it is within the device range. • Reset the CPU module and run it again. If the same error code is displayed again, the cause is a hardware failure of the CPU module. Please consult your local Mitsubishi representative. 	<p>RUN: Off ERR.:Flashing</p> <p>CPU Status:Stop</p>	<p>QCPU LCPU</p>
	<p>[RAM ERROR] The device memory in the CPU module is faulty.</p> <ul style="list-style-type: none"> • The device out of range is accessed due to indexing, and the device for system is overwritten. <p>■Collateral information</p> <ul style="list-style-type: none"> • Common information: - • Individual information: - <p>■Diagnostic timing</p> <ul style="list-style-type: none"> • At power-on/At reset/When an END instruction executed 			<p>Qn(H) QnPH QnPRH</p>
1104	<p>[RAM ERROR] The address RAM in the CPU module is faulty.</p> <p>■Collateral information</p> <ul style="list-style-type: none"> • Common information: - • Individual information: - <p>■Diagnostic timing</p> <ul style="list-style-type: none"> • At power-on/At reset 	<ul style="list-style-type: none"> • Take noise reduction measures. • Reset the CPU module and run it again. If the same error code is displayed again, the cause is a hardware failure of the CPU module. Please consult your local Mitsubishi representative. 	<p>RUN: Off ERR.:Flashing</p> <p>CPU Status:Stop</p>	<p>Q00J/Q00/Q01 Qn(H) QnPH QnPRH</p>

A

Appendix 1 Error Codes
Appendix 1.3 List of error codes (1000 to 1999)

Error code	Error and cause	Corrective action	LED status, CPU status	Corresponding CPU
1105	<p>[RAM ERROR] The CPU memory in the CPU module is faulty.</p> <p>■Collateral information</p> <ul style="list-style-type: none"> • Common information: - • Individual information: - <p>■Diagnostic timing</p> <ul style="list-style-type: none"> • At power-on/At reset 	<ul style="list-style-type: none"> • Take noise reduction measures. • Reset the CPU module and run it again. If the same error code is displayed again, the cause is a hardware failure of the CPU module. Please consult your local Mitsubishi representative. 	<p>RUN: Off ERR.:Flashing</p> <p>CPU Status:Stop</p>	Q00J/Q00/Q01 QnU
	<p>[RAM ERROR] The CPU shared memory in the CPU module is faulty.</p> <p>■Collateral information</p> <ul style="list-style-type: none"> • Common information: - • Individual information: - <p>■Diagnostic timing</p> <ul style="list-style-type: none"> • At power-on/At reset 			Qn(H) QnPH QnPRH QnU
1106	<p>[RAM ERROR] The program memory was corrupted due to battery exhaustion.</p> <p>■Collateral information</p> <ul style="list-style-type: none"> • Common information: - • Individual information: - <p>■Diagnostic timing</p> <ul style="list-style-type: none"> • STOP → RUN/When an END instruction executed 	<ul style="list-style-type: none"> • Check the battery to see if it is dead or not. If dead, replace the battery. • Take measures to reduce noise. • Format the program memory, write all files to the CPU module, and reset the module to run it again. If the same error code is displayed again, the cause is a hardware failure of the CPU module. Please consult your local Mitsubishi representative. 	<p>RUN: Off ERR.:Flashing</p> <p>CPU Status:Stop</p>	Qn(H) QnPH QnPRH
1107	<p>[RAM ERROR] The work area RAM in the CPU module is faulty.</p> <p>■Collateral information</p> <ul style="list-style-type: none"> • Common information: - • Individual information: - <p>■Diagnostic timing</p> <ul style="list-style-type: none"> • At power-on/At reset 	The cause is a hardware failure of the CPU module. Please consult your local Mitsubishi representative.	<p>RUN: Off ERR.:Flashing</p> <p>CPU Status:Stop</p>	QnPRH
1108	<p>[RAM ERROR] The work area RAM in the CPU module is faulty.</p> <p>■Collateral information</p> <ul style="list-style-type: none"> • Common information: - • Individual information: - <p>■Diagnostic timing</p> <ul style="list-style-type: none"> • At power-on/At reset 	The cause is a hardware failure of the CPU module. Please consult your local Mitsubishi representative.	<p>RUN: Off ERR.:Flashing</p> <p>CPU Status:Stop</p>	Qn(H) QnPH QnPRH
1109	<p>[RAM ERROR] The work area RAM in the CPU module is faulty.</p> <p>■Collateral information</p> <ul style="list-style-type: none"> • Common information: - • Individual information: - <p>■Diagnostic timing</p> <ul style="list-style-type: none"> • Always 	The cause is a hardware failure of the CPU module. Please consult your local Mitsubishi representative.	<p>RUN: Off ERR.:Flashing</p> <p>CPU Status:Stop</p>	Qn(H) QnPH QnPRH
1110	<p>[TRK. CIR. ERROR] A fault was detected by the initial check of the tracking hardware.</p> <p>■Collateral information</p> <ul style="list-style-type: none"> • Common information: - • Individual information: - <p>■Diagnostic timing</p> <ul style="list-style-type: none"> • At power-on/At reset 	The cause is a hardware failure of the CPU module. Please consult your local Mitsubishi representative.	<p>RUN: Off ERR.:Flashing</p> <p>CPU Status:Stop</p>	QnPRH
1111	<p>[TRK. CIR. ERROR] A tracking hardware fault was detected.</p> <p>■Collateral information</p> <ul style="list-style-type: none"> • Common information: - • Individual information: - <p>■Diagnostic timing</p> <ul style="list-style-type: none"> • At power-on/At reset 	The cause is a hardware failure of the CPU module. Please consult your local Mitsubishi representative.	<p>RUN: Off ERR.:Flashing</p> <p>CPU Status:Stop</p>	QnPRH

Error code	Error and cause	Corrective action	LED status, CPU status	Corresponding CPU
1112	<p>[TRK. CIR. ERROR]</p> <ul style="list-style-type: none"> A tracking hardware fault was detected during running. The tracking cable was disconnected and reinserted without the standby system being powered off or reset. The tracking cable is not secured by the connector fixing screws. The error occurred at a startup since the redundant system startup procedure was not followed. <p>■Collateral information</p> <ul style="list-style-type: none"> Common information: - Individual information: - <p>■Diagnostic timing</p> <ul style="list-style-type: none"> During running 	<ul style="list-style-type: none"> Check that the tracking cable is connected and start up the module. If the same error code is displayed again, the cause is a hardware failure of the tracking cable or CPU module. Please consult your local Mitsubishi representative. Confirm the redundant system startup procedure, and execute a startup again. For details, refer to the QnPRHCPU User's Manual (Redundant System). 	<p>RUN: Off ERR.:Flashing</p> <p>CPU Status:Stop</p>	QnPRH
1113	<p>[TRK. CIR. ERROR]</p> <ul style="list-style-type: none"> A tracking hardware fault was detected during running. The tracking cable was disconnected and reinserted without the standby system being powered off or reset. The tracking cable is not secured by the connector fixing screws. The error occurred at a startup since the redundant system startup procedure was not followed. <p>■Collateral information</p> <ul style="list-style-type: none"> Common information: - Individual information: - <p>■Diagnostic timing</p> <ul style="list-style-type: none"> During running 	<ul style="list-style-type: none"> Check that the tracking cable is connected and start up the module. If the same error code is displayed again, the cause is a hardware failure of the tracking cable or CPU module. Please consult your local Mitsubishi representative. Confirm the redundant system startup procedure, and execute a startup again. For details, refer to the QnPRHCPU User's Manual (Redundant System). 	<p>RUN: Off ERR.:Flashing</p> <p>CPU Status:Stop</p>	QnPRH
1115	<p>[TRK. CIR. ERROR]</p> <p>A fault was detected by the initial check of the tracking hardware.</p> <p>■Collateral information</p> <ul style="list-style-type: none"> Common information: - Individual information: - <p>■Diagnostic timing</p> <ul style="list-style-type: none"> At power-on/At reset 	<p>The cause is a hardware failure of the CPU module. Please consult your local Mitsubishi representative.</p>	<p>RUN: Off ERR.:Flashing</p> <p>CPU Status:Stop</p>	QnPRH
1116	<p>[TRK. CIR. ERROR]</p> <ul style="list-style-type: none"> A tracking hardware fault was detected during running. The tracking cable was disconnected and reinserted without the standby system being powered off or reset. The tracking cable is not secured by the connector fixing screws. The error occurred at a startup since the redundant system startup procedure was not followed. <p>■Collateral information</p> <ul style="list-style-type: none"> Common information: - Individual information: - <p>■Diagnostic timing</p> <ul style="list-style-type: none"> During running 	<ul style="list-style-type: none"> Check that the tracking cable is connected and start up the module. If the same error code is displayed again, the cause is a hardware failure of the tracking cable or CPU module. Please consult your local Mitsubishi representative. Confirm the redundant system startup procedure, and execute a startup again. For details, refer to the QnPRHCPU User's Manual (Redundant System). 	<p>RUN: Off ERR.:Flashing</p> <p>CPU Status:Stop</p>	QnPRH
1150	<p>[RAM ERROR]</p> <p>The memory of the CPU module in the multiple CPU high speed transmission area is faulty.</p> <p>■Collateral information</p> <ul style="list-style-type: none"> Common information: - Individual information: - <p>■Diagnostic timing</p> <ul style="list-style-type: none"> At power-on/At reset 	<ul style="list-style-type: none"> Take noise reduction measures. Reset the CPU module and run it again. If the same error code is displayed again, the cause is a hardware failure of the CPU module. Please consult your local Mitsubishi representative. 	<p>RUN: Off ERR.:Flashing</p> <p>CPU Status:Stop</p>	QnU

A

Appendix 1 Error Codes
Appendix 1.3 List of error codes (1000 to 1999)

Error code	Error and cause	Corrective action	LED status, CPU status	Corresponding CPU
1160	<p>[RAM ERROR] The program memory in the CPU module is overwritten.</p> <p>■Collateral information</p> <ul style="list-style-type: none"> • Common information: Program error location*5 • Individual information: - <p>■Diagnostic timing</p> <ul style="list-style-type: none"> • Always 	<ul style="list-style-type: none"> • Take noise reduction measures. • Format the program memory, write all files to the CPU module, and reset the module to run it again. If the same error code is displayed again, the cause is a hardware failure of the CPU module. Please consult your local Mitsubishi representative. 	<p>RUN: Off ERR.:Flashing</p> <p>CPU Status:Stop</p>	QnU LCPU
1161	<p>[RAM ERROR] The data of the device memory built in the CPU module is overwritten.</p> <p>■Collateral information</p> <ul style="list-style-type: none"> • Common information: Program error location*5 • Individual information: - <p>■Diagnostic timing</p> <ul style="list-style-type: none"> • Always 	<p>Take noise reduction measures. If the same error code is displayed again, the cause is a hardware failure of the CPU module. Please consult your local Mitsubishi representative.</p>	<p>RUN: Off ERR.:Flashing</p> <p>CPU Status:Stop</p>	QnU LCPU
1163	<p>[RAM ERROR] The program memory in the CPU module is overwritten.</p> <p>■Collateral information</p> <ul style="list-style-type: none"> • Common information: - • Individual information: - <p>■Diagnostic timing</p> <ul style="list-style-type: none"> • When an instruction executed ("Always" for the QnUDVCP and QnUDPVCPU) 	<ul style="list-style-type: none"> • Take noise reduction measures. • For GX Works2, select "Transfer cache memory to program memory" in the Options window. For GX Developer, select "Online change T/C setting value change program memory transfer settings" in the Options window. • Format the program memory, write all files to the CPU module, and reset the module to run it again. If the same error code is displayed again, the cause is a hardware failure of the CPU module. Please consult your local Mitsubishi representative. 	<p>RUN: Off ERR.:Flashing</p> <p>CPU Status:Stop</p>	QnU LCPU
1164	<p>[RAM ERROR] The destruction of the data stored in the standard RAM is detected.</p> <p>■Collateral information</p> <ul style="list-style-type: none"> • Common information: - • Individual information: - <p>■Diagnostic timing</p> <ul style="list-style-type: none"> • When instruction executed 	<p>Take noise reduction measures. If the same error code is displayed again, the cause is a hardware failure of the CPU module. Please consult your local Mitsubishi representative.</p>	<p>RUN: Off ERR.:Flashing</p> <p>CPU Status:Stop</p>	QnU*6 L26CPU L26CPU-P L26CPU-BT L26CPU-PBT
1166	<p>[RAM ERROR] The internal memory in the CPU module is faulty.</p> <p>■Collateral information</p> <ul style="list-style-type: none"> • Common information: - • Individual information: - <p>■Diagnostic timing</p> <ul style="list-style-type: none"> • Always 	<p>Take noise reduction measures. If the same error code is displayed again, the cause is a hardware failure of the CPU module. Please consult your local Mitsubishi representative.</p>	<p>RUN: Off ERR.:Flashing</p> <p>CPU Status:Stop</p>	Q50UDEHCPU, Q100UDEHCPU
1170	<p>[RAM ERROR] The RAM of the CPU module (built-in I/O) is faulty.</p> <p>■Collateral information</p> <ul style="list-style-type: none"> • Common information: - • Individual information: Failure information <p>■Diagnostic timing</p> <ul style="list-style-type: none"> • At power-on/At reset 	<p>Take noise reduction measures. If the same error code is displayed again, the cause is a hardware failure of the CPU module. Please consult your local Mitsubishi representative.</p>	<p>RUN: Off ERR.:Flashing</p> <p>CPU Status:Stop</p>	LCPU
1171	<p>[RAM ERROR] The RAM of the CPU module (built-in I/O) is faulty.</p> <p>■Collateral information</p> <ul style="list-style-type: none"> • Common information: - • Individual information: Failure information <p>■Diagnostic timing</p> <ul style="list-style-type: none"> • Always 	<p>Take noise reduction measures. If the same error code is displayed again, the cause is a hardware failure of the CPU module. Please consult your local Mitsubishi representative.</p>	<p>RUN: Off ERR.:Flashing</p> <p>CPU Status:Stop</p>	LCPU
1172	<p>[RAM ERROR] The RAM of the CPU module (built-in I/O) is faulty.</p> <p>■Collateral information</p> <ul style="list-style-type: none"> • Common information: - • Individual information: Failure information <p>■Diagnostic timing</p> <ul style="list-style-type: none"> • At power-on/At reset 	<p>Take noise reduction measures. If the same error code is displayed again, the cause is a hardware failure of the CPU module. Please consult your local Mitsubishi representative.</p>	<p>RUN: Off ERR.:Flashing</p> <p>CPU Status:Stop</p>	LCPU

Error code	Error and cause	Corrective action	LED status, CPU status	Corresponding CPU
1200	<p>[OPE. CIRCUIT ERR.] The operation circuit for index modification in the CPU module does not operate normally.</p> <p>■Collateral information</p> <ul style="list-style-type: none"> • Common information: - • Individual information: - <p>■Diagnostic timing</p> <ul style="list-style-type: none"> • At power-on/At reset 	The cause is a hardware failure of the CPU module. Please consult your local Mitsubishi representative.	RUN: Off ERR.:Flashing CPU Status:Stop	QCPU LCPU
1201	<p>[OPE. CIRCUIT ERR.] The hardware (logic) in the CPU module does not operate normally.</p> <p>■Collateral information</p> <ul style="list-style-type: none"> • Common information: - • Individual information: - <p>■Diagnostic timing</p> <ul style="list-style-type: none"> • At power-on/At reset 	The cause is a hardware failure of the CPU module. Please consult your local Mitsubishi representative.	RUN: Off ERR.:Flashing CPU Status:Stop	QCPU LCPU
1202	<p>[OPE. CIRCUIT ERR.] The operation circuit for sequence processing in the CPU module does not operate normally.</p> <p>■Collateral information</p> <ul style="list-style-type: none"> • Common information: - • Individual information: - <p>■Diagnostic timing</p> <ul style="list-style-type: none"> • At power-on/At reset 	The cause is a hardware failure of the CPU module. Please consult your local Mitsubishi representative.	RUN: Off ERR.:Flashing CPU Status:Stop	QCPU LCPU
1203	<p>[OPE. CIRCUIT ERR.] The operation circuit for index modification in the CPU module does not operate normally.</p> <p>■Collateral information</p> <ul style="list-style-type: none"> • Common information: - • Individual information: - <p>■Diagnostic timing</p> <ul style="list-style-type: none"> • When an END instruction executed 	The cause is a hardware failure of the CPU module. Please consult your local Mitsubishi representative.	RUN: Off ERR.:Flashing CPU Status:Stop	QnPRH
1204	<p>[OPE. CIRCUIT ERR.] The hardware (logic) in the CPU module does not operate normally.</p> <p>■Collateral information</p> <ul style="list-style-type: none"> • Common information: - • Individual information: - <p>■Diagnostic timing</p> <ul style="list-style-type: none"> • When an END instruction executed 	The cause is a hardware failure of the CPU module. Please consult your local Mitsubishi representative.	RUN: Off ERR.:Flashing CPU Status:Stop	QnPRH
1205	<p>[OPE. CIRCUIT ERR.] The operation circuit for sequence processing in the CPU module does not operate normally.</p> <p>■Collateral information</p> <ul style="list-style-type: none"> • Common information: - • Individual information: - <p>■Diagnostic timing</p> <ul style="list-style-type: none"> • When an END instruction executed 	The cause is a hardware failure of the CPU module. Please consult your local Mitsubishi representative.	RUN: Off ERR.:Flashing CPU Status:Stop	QnPRH

A

Error code	Error and cause	Corrective action	LED status, CPU status	Corresponding CPU
1300	<p>[FUSE BREAK OFF] There is an output module with a blown fuse.</p> <p>■Collateral information</p> <ul style="list-style-type: none"> • Common information: Module No. (Slot No.) [For Remote I/O network] Network No./Station No. • Individual information: - <p>■Diagnostic timing</p> <ul style="list-style-type: none"> • Always 	<ul style="list-style-type: none"> • Check the FUSE. LED of each output module, and replace the one whose LED is on. • Read common information of the error using the programming tool to identify the numeric value (module No.). Replace the fuse of the output module corresponding to the value. Or, monitor SD1300 to SD1331 using the programming tool to identify the module whose data bit is "1". Replace the fuse of the corresponding module. • When a GOT is bus-connected to the main base unit or extension base unit, check the connection status of the extension cable and the grounding status of the GOT. 	<p>RUN: Off/On ERR.:Flashing/On</p> <p>CPU Status: Stop/Continue*1</p>	<p>Qn(H) QnPH QnPRH QnU</p>
	<p>[FUSE BREAK OFF] There is an output module with a blown fuse.</p> <p>■Collateral information</p> <ul style="list-style-type: none"> • Common information: Module No. (Slot No.) [For Remote I/O network] Network No./Station No. • Individual information: - <p>■Diagnostic timing</p> <ul style="list-style-type: none"> • Always 	<p>Check the ERR. LED of each output module, and replace the one whose LED is on. (A blown fuse can be identified with the programming tool. Check SD130 to SD137 to ensure that the bit for the module with a blown fuse is "1".)</p>		<p>Q00J/Q00/Q01</p>
	<p>[FUSE BREAK OFF] There is an output module with a blown fuse on the LA1S extension base unit.</p> <p>■Collateral information</p> <ul style="list-style-type: none"> • Common information: Module No. (Slot No.) • Individual information: - <p>■Diagnostic timing</p> <ul style="list-style-type: none"> • Always 	<ul style="list-style-type: none"> • Check the FUSE. LED of each output module, and replace the one whose LED is on. • Read common information of the error using the programming tool to identify the numeric value (module No.). Replace the fuse of the output module corresponding to the value. Or, monitor SD1300 to SD1331 using the programming tool to identify the module whose data bit is "1". Replace the fuse of the corresponding module. 		<p>LCPU</p>
1310	<p>[I/O INT. ERROR] Although an interrupt request was detected, there is no interrupt factor.</p> <p>■Collateral information</p> <ul style="list-style-type: none"> • Common information: - • Individual information: - <p>■Diagnostic timing</p> <ul style="list-style-type: none"> • During interrupt 	<p>The cause is a hardware failure of any one of the mounted modules. Check the mounted modules and replace the faulty module. Please consult your local Mitsubishi representative.</p>	<p>RUN: Off ERR.:Flashing</p> <p>CPU Status:Stop</p>	<p>QCPU</p>
	<p>[I/O INT. ERROR] An interruption occurred although none of the modules can issue an interruption (including an interruption from the built-in I/O).</p> <p>■Collateral information</p> <ul style="list-style-type: none"> • Common information: - • Individual information: - <p>■Diagnostic timing</p> <ul style="list-style-type: none"> • During interrupt 	<p>Reset the CPU module and run it again. If the same error code is displayed again, the cause is a hardware failure of the CPU module, I/O module, intelligent function module, END cover, branch module, or extension module. Please consult your local Mitsubishi representative.</p>	<p>RUN: Off ERR.:Flashing</p> <p>CPU Status:Stop</p>	<p>LCPU</p>

Error code	Error and cause	Corrective action	LED status, CPU status	Corresponding CPU
1311	<p>[I/O INT. ERROR] An interrupt request was detected from the module for which Interrupt Pointer Setting has not been configured in "PLC Parameter".</p> <p>■Collateral information</p> <ul style="list-style-type: none"> • Common information: - • Individual information: - <p>■Diagnostic timing</p> <ul style="list-style-type: none"> • During interrupt 	<ul style="list-style-type: none"> • Correct the interrupt pointer setting in the PLC System tab of "PLC Parameter". • Take measures not to issue an interruption from the modules where the interrupt pointer setting is not configured in the PLC System tab of "PLC Parameter". • Correct the interrupt setting of the network parameter. • Correct the interrupt setting of the intelligent function module buffer memory. • Correct the basic program of the QD51. 	<p>RUN: Off ERR.:Flashing</p> <p>CPU Status:Stop</p>	<p>Q00J/Q00/Q01 QnPRH QnU</p>
		<ul style="list-style-type: none"> • Correct the interrupt pointer setting in the PLC System tab of "PLC Parameter". • Take measures not to issue an interruption from the modules where the interrupt pointer setting is not configured in the PLC System tab of "PLC Parameter". • Correct the Interrupt Setting of the network parameter. • Correct the interrupt setting of the intelligent function module buffer memory. • Reset the CPU module and run it again. If the same error code is displayed again, the cause is a hardware failure of the CPU module, I/O module, intelligent function module, END cover, branch module, or extension module. Please consult your local Mitsubishi representative. 		<p>LCPU</p>
1320	<p>[LAN CTRL. DOWN] The H/W self-diagnostics detected a LAN controller failure.</p> <p>■Collateral information</p> <ul style="list-style-type: none"> • Common information: - • Individual information: - <p>■Diagnostic timing</p> <ul style="list-style-type: none"> • At power-on/At reset 	<p>The cause is a hardware failure of the CPU module. Please consult your local Mitsubishi representative.</p>	<p>RUN: Off ERR.:Flashing</p> <p>CPU Status:Stop</p>	<p>QnU*4 LCPU*4</p>
1321	<p>[LAN CTRL. DOWN] The H/W self-diagnostics detected a LAN controller failure.</p> <p>■Collateral information</p> <ul style="list-style-type: none"> • Common information: - • Individual information: - <p>■Diagnostic timing</p> <ul style="list-style-type: none"> • At power-on/At reset 	<p>The cause is a hardware failure of the CPU module. Please consult your local Mitsubishi representative.</p>	<p>RUN: Off ERR.:Flashing</p> <p>CPU Status:Stop</p>	<p>QnU*4 LCPU*4</p>

A

Error code	Error and cause	Corrective action	LED status, CPU status	Corresponding CPU
1401	<p>[SP. UNIT DOWN]</p> <ul style="list-style-type: none"> There was no response from the intelligent function module/special function module in the initial processing. The size of the buffer memory of the intelligent function module/special function module is invalid. The unsupported module is mounted. At power-on/reset, momentary power failure has occurred. <p>■Collateral information</p> <ul style="list-style-type: none"> Common information: Module No. (Slot No.) Individual information: - <p>■Diagnostic timing</p> <ul style="list-style-type: none"> At power-on/At reset/When intelligent function module is accessed 	<ul style="list-style-type: none"> Check the power supply. If an unsupported module is mounted, remove it. When only supported modules are mounted, the cause is a hardware failure of the intelligent function module/special function module, CPU module, or base unit. Please consult your local Mitsubishi representative. 	<p>RUN: Off/On ERR.:Flashing/On</p> <p>CPU Status: Stop/Continue*³</p>	QCPU
	<p>[SP. UNIT DOWN]</p> <ul style="list-style-type: none"> There was no response from the intelligent function module in the initial processing. The buffer memory size of the intelligent function module is invalid. An unsupported module is connected. <p>■Collateral information</p> <ul style="list-style-type: none"> Common information: Module No. (Slot No.) Individual information: - <p>■Diagnostic timing</p> <ul style="list-style-type: none"> At power-on/At reset/When intelligent function module is accessed 	<p>If an unsupported module is connected, disconnect it.</p> <p>When only supported modules are connected, reset the CPU module to run it again. If the same error code is displayed again, the cause is a hardware failure of the CPU module, I/O module, intelligent function module, END cover, branch module, or extension module. Please consult your local Mitsubishi representative.</p>		LCPU
1402	<p>[SP. UNIT DOWN]</p> <p>The intelligent function module/special function module was accessed in the program, but there was no response.</p> <p>■Collateral information</p> <ul style="list-style-type: none"> Common information: Module No. (Slot No.) Individual information: Program error location <p>■Diagnostic timing</p> <ul style="list-style-type: none"> When an intelligent function module access instruction is executed 	<p>The cause is a hardware failure of the intelligent function module/special function module, CPU module, or base unit. Please consult your local Mitsubishi representative.</p>	<p>RUN: Off/On ERR.:Flashing/On</p>	QCPU
	<p>[SP. UNIT DOWN]</p> <p>The intelligent function module was accessed by the program, but there was no response.</p> <p>■Collateral information</p> <ul style="list-style-type: none"> Common information: Module No. (Slot No.) Individual information: Program error location <p>■Diagnostic timing</p> <ul style="list-style-type: none"> When an intelligent function module access instruction is executed 	<p>Reset the CPU module and run it again. If the same error code is displayed again, the cause is a hardware failure of the CPU module, I/O module, intelligent function module, END cover, branch module, or extension module. Please consult your local Mitsubishi representative.</p>	<p>CPU Status: Stop/Continue*³</p>	LCPU

Error code	Error and cause	Corrective action	LED status, CPU status	Corresponding CPU
1403	<p>[SP. UNIT DOWN]</p> <ul style="list-style-type: none"> The unsupported module is mounted. <p>■Collateral information</p> <ul style="list-style-type: none"> Common information: Module No. (Slot No.) Individual information: - <p>■Diagnostic timing</p> <ul style="list-style-type: none"> Always 	<p>If an unsupported module is mounted, remove it. When only supported modules are mounted, the cause is a hardware failure of the intelligent function module/special function module, CPU module, or base unit. Please consult your local Mitsubishi representative.</p>	<p>RUN: Off/On ERR.:Flashing/On</p> <p>CPU Status: Stop/Continue*3</p>	QCPU
	<p>[SP. UNIT DOWN]</p> <ul style="list-style-type: none"> There was no response from the intelligent function module/special function module when the END instruction is executed. An error is detected at the intelligent function module/special function module. The I/O module (including the intelligent function module/special function module) is nearly disconnected, removed, or mounted while the system is running. <p>■Collateral information</p> <ul style="list-style-type: none"> Common information: Module No. (Slot No.) Individual information: - <p>■Diagnostic timing</p> <ul style="list-style-type: none"> Always 	<p>The cause is a failure of the CPU module, base unit, or the intelligent function module/special function module in the access destination. Please consult your local Mitsubishi representative.</p>		
	<p>[SP. UNIT DOWN]</p> <ul style="list-style-type: none"> There was no response from the intelligent function module when the END instruction is executed. An error is detected in the intelligent function module. The I/O module (including the intelligent function module) is nearly disconnected or removed while the system is running. <p>■Collateral information</p> <ul style="list-style-type: none"> Common information: Module No. (Slot No.) Individual information: - <p>■Diagnostic timing</p> <ul style="list-style-type: none"> Always 	<p>Reset the CPU module and run it again. If the same error code is displayed again, the cause is a hardware failure of the CPU module, I/O module, intelligent function module, END cover, branch module, or extension module. Please consult your local Mitsubishi representative.</p>		LCPU
1411	<p>[CONTROL-BUS ERR.]</p> <p>When I/O assignment parameters are set, the CPU module cannot access the intelligent function module/special function module during initial communications. (If an error occurs, the start I/O number of the corresponding intelligent function module/special function module is stored in the common information.)</p> <p>■Collateral information</p> <ul style="list-style-type: none"> Common information: Module No. (Slot No.) Individual information: - <p>■Diagnostic timing</p> <ul style="list-style-type: none"> At power-on/At reset 	<p>Reset the CPU module and run it again. If the same error code is displayed again, the cause is a failure of the intelligent function module/special function module, CPU module, or base unit. Please consult your local Mitsubishi representative.</p>	<p>RUN: Off ERR.:Flashing</p> <p>CPU Status:Stop</p>	QCPU
1412	<p>[CONTROL-BUS ERR.]</p> <p>The FROM/TO instruction is not executable, due to a control bus error with the intelligent function module/special function module. (If an error occurs, the program error location is stored in the individual information.)</p> <p>■Collateral information</p> <ul style="list-style-type: none"> Common information: Module No. (Slot No.) Individual information: Program error location <p>■Diagnostic timing</p> <ul style="list-style-type: none"> During execution of FROM/TO instruction set 	<p>Reset the CPU module and run it again. If the same error code is displayed again, the cause is a failure of the intelligent function module/special function module, CPU module, or base unit. Please consult your local Mitsubishi representative.</p>	<p>RUN: Off ERR.:Flashing</p> <p>CPU Status:Stop</p>	QCPU

A

Appendix 1 Error Codes
Appendix 1.3 List of error codes (1000 to 1999)

Error code	Error and cause	Corrective action	LED status, CPU status	Corresponding CPU
1413	<p>[CONTROL-BUS ERR.] In a multiple CPU system, a CPU module incompatible with the multiple CPU system is mounted.</p> <p>■Collateral information</p> <ul style="list-style-type: none"> • Common information: - • Individual information: - <p>■Diagnostic timing</p> <ul style="list-style-type: none"> • Always 	<ul style="list-style-type: none"> • Remove the CPU module from the main base unit if it does not support a multiple CPU system configuration. Alternatively, replace the CPU module that does not support a multiple system configuration with the one that does. • The cause is a failure of the intelligent function module, CPU module, or base unit. Please consult your local Mitsubishi representative. 	RUN: Off ERR.:Flashing CPU Status:Stop	Q00J/Q00/Q01 Qn(H) QnPH
	<p>[CONTROL-BUS ERR.] (1) An error is detected on the system bus.</p> <ul style="list-style-type: none"> • Self-diagnostic error in the system bus • Self-diagnostic error in the CPU module <p>(2) In a multiple CPU system, the control CPU setting of other CPUs, configured in the I/O Assignment tab of "PLC Parameter", differs from that of CPU No.1.</p> <p>■Collateral information</p> <ul style="list-style-type: none"> • Common information: - • Individual information: - <p>■Diagnostic timing</p> <ul style="list-style-type: none"> • Always 	<ul style="list-style-type: none"> • Reset the CPU module and run it again. If the same error code is displayed again, the cause is a failure of the intelligent function module, CPU module, or base unit. Please consult your local Mitsubishi representative. • Reconfigure the control CPU setting of other CPUs so that it can be the same as that of CPU No.1. 		QCPU
1414	<p>[CONTROL-BUS ERR.]</p> <ul style="list-style-type: none"> • Fault of a loaded module was detected. • In a multiple CPU system, a CPU module incompatible with the multiple CPU system is mounted. <p>■Collateral information</p> <ul style="list-style-type: none"> • Common information: Module No. (Slot No.) • Individual information: - <p>■Diagnostic timing</p> <ul style="list-style-type: none"> • Always 	<ul style="list-style-type: none"> • Remove the CPU module from the main base unit if it does not support a multiple CPU system configuration. Alternatively, replace the CPU module that does not support a multiple system configuration with the one that does. • Reset the CPU module and run it again. If the same error code is displayed again, the cause is a failure of the intelligent function module, CPU module, or base unit. Please consult your local Mitsubishi representative. 	RUN: Off ERR.:Flashing CPU Status:Stop	Q00J/Q00/Q01 Qn(H) QnPH QnU
	<p>[CONTROL-BUS ERR.] An error is detected on the system bus.</p> <p>■Collateral information</p> <ul style="list-style-type: none"> • Common information: Module No. (Slot No.) • Individual information: - <p>■Diagnostic timing</p> <ul style="list-style-type: none"> • Always 	<ul style="list-style-type: none"> • Remove the CPU module from the main base unit if it does not support a multiple CPU system configuration. Alternatively, replace the CPU module that does not support a multiple system configuration with the one that does. • Reset the CPU module and run it again. If the same error code is displayed again, the cause is a failure of the intelligent function module, CPU module, or base unit. Please consult your local Mitsubishi representative. 		Q00J/Q00/Q01 Qn(H) QnPH QnPRH QnU
1415	<p>[CONTROL-BUS ERR.] Fault of the main or extension base unit was detected.</p> <p>■Collateral information</p> <ul style="list-style-type: none"> • Common information: Module No. (Base No.) • Individual information: - <p>■Diagnostic timing</p> <ul style="list-style-type: none"> • Always 	Reset the CPU module and run it again. If the same error code is displayed again, the cause is a failure of the intelligent function module, CPU module, or base unit. Please consult your local Mitsubishi representative.	RUN: Off ERR.:Flashing CPU Status:Stop	Q00J/Q00/Q01 Qn(H) QnPH QnPRH QnU
	<p>[CONTROL-BUS ERR.] Fault of the main or extension base unit was detected.</p> <p>■Collateral information</p> <ul style="list-style-type: none"> • Common information: Module No. (Slot No.) • Individual information: - <p>■Diagnostic timing</p> <ul style="list-style-type: none"> • At power-on/At reset/When an END instruction executed 			Qn(H) ⁷ QnPH ⁷

Error code	Error and cause	Corrective action	LED status, CPU status	Corresponding CPU
1416	<p>[CONTROL-BUS ERR.] An error was detected on the system bus.</p> <p>■Collateral information</p> <ul style="list-style-type: none"> • Common information: Module No. (Slot No.) • Individual information: - <p>■Diagnostic timing</p> <ul style="list-style-type: none"> • At power-on/At reset 	Reset the CPU module and run it again. If the same error code is displayed again, the cause is a failure of the intelligent function module, CPU module, or base unit. Please consult your local Mitsubishi representative.	RUN: Off ERR.:Flashing CPU Status:Stop	Qn(H) QnPH QnU
	<p>[CONTROL-BUS ERR.] An error was detected on the system bus in the multiple CPU system.</p> <p>■Collateral information</p> <ul style="list-style-type: none"> • Common information: Module No. (Slot No.) • Individual information: - <p>■Diagnostic timing</p> <ul style="list-style-type: none"> • At power-on/At reset 			Q00CPU Q01CPU QnU
1417	<p>[CONTROL-BUS ERR.] A reset signal error was detected on the system bus.</p> <p>■Collateral information</p> <ul style="list-style-type: none"> • Common information: - • Individual information: - <p>■Diagnostic timing</p> <ul style="list-style-type: none"> • Always 	Reset the CPU module and run it again. If the same error code is displayed again, the cause is a failure of the intelligent function module, CPU module, or base unit. Please consult your local Mitsubishi representative.	RUN: Off ERR.:Flashing CPU Status:Stop	QnPRH
1418	<p>[CONTROL-BUS ERR.]</p> <ul style="list-style-type: none"> • In the debug mode, both the main base unit for system A and the main base unit for system B are connected to an extension base unit. • In the redundant system, the control system cannot access the extension base unit because it has failed to acquire an access right. <p>■Collateral information</p> <ul style="list-style-type: none"> • Common information: - • Individual information: - <p>■Diagnostic timing</p> <ul style="list-style-type: none"> • At power-ON/At reset/At Switching execution 	<ul style="list-style-type: none"> • Check that both the main base unit for system A and the main base unit for system B are not connected to an extension base unit in the debug mode. • Reset the CPU module and run it again. If the same error code is displayed again, the cause is a hardware failure of the CPU module, Q6□WRB, or extension cable. Please consult your local Mitsubishi representative. 	RUN: Off ERR.:Flashing CPU Status:Stop	QnPRH
1430	<p>[MULTI-C.BUS ERR.] The error of host CPU is detected in the multiple CPU high speed transmission.</p> <p>■Collateral information</p> <ul style="list-style-type: none"> • Common information: - • Individual information: - <p>■Diagnostic timing</p> <ul style="list-style-type: none"> • At power-on/At reset 	Reset the CPU module and run it again. If the same error code is displayed again, the cause is a hardware failure of the CPU module. Please consult your local Mitsubishi representative.	RUN: Off ERR.:Flashing CPU Status:Stop	QnU
1431	<p>[MULTI-C.BUS ERR.] The communication error with other CPU is detected in the multiple CPU high speed transmission.</p> <p>■Collateral information</p> <ul style="list-style-type: none"> • Common information: Module No. (CPU No.) • Individual information: - <p>■Diagnostic timing</p> <ul style="list-style-type: none"> • At power-on/At reset 	<ul style="list-style-type: none"> • Take noise reduction measures. • Check the main base unit mounting status of the CPU module. • Reset the CPU module and run it again. If the same error code is displayed again, the cause is a hardware failure of the CPU module. Please consult your local Mitsubishi representative. 	RUN: Off ERR.:Flashing CPU Status:Stop	QnU
1432	<p>[MULTI-C.BUS ERR.] The communication time out with other CPU is detected in the multiple CPU high speed transmission.</p> <p>■Collateral information</p> <ul style="list-style-type: none"> • Common information: Module No. (CPU No.) • Individual information: - <p>■Diagnostic timing</p> <ul style="list-style-type: none"> • At power-on/At reset 	Reset the CPU module and run it again. If the same error code is displayed again, the cause is a hardware failure of the CPU module. Please consult your local Mitsubishi representative.	RUN: Off ERR.:Flashing CPU Status:Stop	QnU

A

Appendix 1 Error Codes
Appendix 1.3 List of error codes (1000 to 1999)

Error code	Error and cause	Corrective action	LED status, CPU status	Corresponding CPU
1433	<p>[MULTI-C.BUS ERR.] The communication error with other CPU is detected in the multiple CPU high speed transmission.</p> <p>■Collateral information</p> <ul style="list-style-type: none"> • Common information: Module No. (CPU No.) • Individual information: - <p>■Diagnostic timing</p> <ul style="list-style-type: none"> • Always 	<ul style="list-style-type: none"> • Take noise reduction measures. • Check the main base unit mounting status of the CPU module. • Reset the CPU module and run it again. If the same error code is displayed again, the cause is a hardware failure of the CPU module. Please consult your local Mitsubishi representative. 	<p>RUN: Off ERR.:Flashing</p> <p>CPU Status:Stop</p>	QnU
1434	<p>[MULTI-C.BUS ERR.] The communication error with other CPU is detected in the multiple CPU high speed transmission.</p> <p>■Collateral information</p> <ul style="list-style-type: none"> • Common information: Module No. (CPU No.) • Individual information: - <p>■Diagnostic timing</p> <ul style="list-style-type: none"> • Always 	<ul style="list-style-type: none"> • Take noise reduction measures. • Check the main base unit mounting status of the CPU module. • Reset the CPU module and run it again. If the same error code is displayed again, the cause is a hardware failure of the CPU module. Please consult your local Mitsubishi representative. 	<p>RUN: Off ERR.:Flashing</p> <p>CPU Status:Stop</p>	QnU
1435	<p>[MULTI-C.BUS ERR.] The communication error with other CPU is detected in the multiple CPU high speed transmission.</p> <p>■Collateral information</p> <ul style="list-style-type: none"> • Common information: Module No. (CPU No.) • Individual information: - <p>■Diagnostic timing</p> <ul style="list-style-type: none"> • Always 	<ul style="list-style-type: none"> • Take noise reduction measures. • Check the main base unit mounting status of the CPU module. • Reset the CPU module and run it again. If the same error code is displayed again, the cause is a hardware failure of the CPU module. Please consult your local Mitsubishi representative. 	<p>RUN: Off ERR.:Flashing</p> <p>CPU Status:Stop</p>	QnU
1436	<p>[MULTI-C.BUS ERR.] The error of the multiple CPU high speed main base unit is detected. (An error of the multiple CPU high speed transmission is detected.)</p> <p>■Collateral information</p> <ul style="list-style-type: none"> • Common information: - • Individual information: - <p>■Diagnostic timing</p> <ul style="list-style-type: none"> • At power-on/At reset 	<p>Reset the CPU module and run it again. If the same error code is displayed again, the cause is a hardware failure of the CPU module. Please consult your local Mitsubishi representative.</p>	<p>RUN: Off ERR.:Flashing</p> <p>CPU Status:Stop</p>	QnU
1437	<p>[MULTI-C.BUS ERR.] The error of the multiple CPU high speed main base unit is detected. (An error of the multiple CPU high speed transmission is detected.)</p> <p>■Collateral information</p> <ul style="list-style-type: none"> • Common information: - • Individual information: - <p>■Diagnostic timing</p> <ul style="list-style-type: none"> • At power-on/At reset 	<ul style="list-style-type: none"> • Take noise reduction measures. • Check the main base unit mounting status of the CPU module. • Reset the CPU module and run it again. If the same error code is displayed again, the cause is a hardware failure of the CPU module. Please consult your local Mitsubishi representative. 	<p>RUN: Off ERR.:Flashing</p> <p>CPU Status:Stop</p>	QnU
1439	<p>[MULTI-C.BUS ERR.] The error of the multiple CPU high speed main base unit is detected. (An error of the multiple CPU high speed transmission is detected.)</p> <p>■Collateral information</p> <ul style="list-style-type: none"> • Common information: - • Individual information: - <p>■Diagnostic timing</p> <ul style="list-style-type: none"> • At power-on/At reset 	<ul style="list-style-type: none"> • Take noise reduction measures. • Reset the CPU module and run it again. If the same error code is displayed again, the cause is a hardware failure of the CPU module. Please consult your local Mitsubishi representative. 	<p>RUN: Off ERR.:Flashing</p> <p>CPU Status:Stop</p>	QnU
1500	<p>[AC/DC DOWN]</p> <ul style="list-style-type: none"> • A momentary power supply interruption has occurred. • The power supply went off. <p>■Collateral information</p> <ul style="list-style-type: none"> • Common information: - • Individual information: - <p>■Diagnostic timing</p> <ul style="list-style-type: none"> • Always 	<p>Check the power supply.</p>	<p>RUN: On ERR.:Off</p> <p>CPU Status:Continue</p>	QCPU LCP

Error code	Error and cause	Corrective action	LED status, CPU status	Corresponding CPU
1510	<p>[SINGLE PS. DOWN] The power supply voltage of either of redundant power supply modules on the redundant base unit dropped.</p> <p>■Collateral information</p> <ul style="list-style-type: none"> • Common information: Base No./Power supply No. • Individual information: - <p>■Diagnostic timing</p> <ul style="list-style-type: none"> • Always 	Check the power supplied to the redundant power supply modules mounted on the redundant base unit.	RUN: On ERR.:On CPU Status:Continue	Qn(H) QnPH QnPRH QnU
1520	<p>[SINGLE PS. ERROR] On the redundant base unit, the one damaged redundant power supply module was detected.</p> <p>■Collateral information</p> <ul style="list-style-type: none"> • Common information: Base No./Power supply No. • Individual information: - <p>■Diagnostic timing</p> <ul style="list-style-type: none"> • Always 	The cause is a hardware failure of the redundant power supply module. Please consult your local Mitsubishi representative.	RUN: On ERR.:On CPU Status:Continue	Qn(H) QnPH QnPRH QnU
1600	<p>[BATTERY ERROR*2]</p> <ul style="list-style-type: none"> • The battery voltage in the CPU module has dropped below stipulated level. • The lead connector of the CPU module battery is not connected. • The lead connector of the CPU module battery is not securely engaged. <p>■Collateral information</p> <ul style="list-style-type: none"> • Common information: Drive Name • Individual information: - <p>■Diagnostic timing</p> <ul style="list-style-type: none"> • Always 	<ul style="list-style-type: none"> • Change the battery. • Engage the battery connector when a program memory, standard RAM, or the back-up power function is used. • Check the lead connector of the CPU module for looseness. Firmly engage the connector if it is loose. 	RUN: On ERR.:Off CPU Status:Continue	QCPU LCPU
1601	<p>[BATTERY ERROR*2] Voltage of the battery on memory card has dropped below stipulated level.</p> <p>■Collateral information</p> <ul style="list-style-type: none"> • Common information: Drive Name • Individual information: - <p>■Diagnostic timing</p> <ul style="list-style-type: none"> • Always 	Change the battery.	RUN: On ERR.:Off CPU Status:Continue	Qn(H) QnPH QnPRH QnU (except the QnUDV and QnUDPV)
1610	<p>[FLASH ROM ERROR] The number of writes to flash ROM (standard ROM and system securement area) exceeds 100,000 times. (Number of writes > 100,000 times)</p> <p>■Collateral information</p> <ul style="list-style-type: none"> • Common information: - • Individual information: - <p>■Diagnostic timing</p> <ul style="list-style-type: none"> • When writing to ROM 	Change the CPU module.	RUN: On ERR.:On CPU Status:Continue	QnU LCPU
1630	<p>[MEM.ACCESS ERROR] Data cannot be written to the SD memory card because the write protect switch is locked.</p> <p>■Collateral information</p> <ul style="list-style-type: none"> • Common information: - • Individual information: - <p>■Diagnostic timing</p> <ul style="list-style-type: none"> • Always 	Unlock the write protect switch of the SD memory card.	RUN: On ERR.:On CPU Status:Continue	QnUDV QnUDPV
1700	<p>[BUS TIMEOUT ERR.] An error was detected on the system bus.</p> <ul style="list-style-type: none"> • Self-diagnosis error of the system bus • Self-diagnosis error of the CPU module <p>■Collateral information</p> <ul style="list-style-type: none"> • Common information: - • Individual information: - <p>■Diagnostic timing</p> <ul style="list-style-type: none"> • Always 	Reset the CPU module and run it again. If the same error code is displayed again, the cause is a hardware failure of the CPU module, I/O module, intelligent function module, END cover, branch module, or extension module. Please consult your local Mitsubishi representative.	RUN: Off ERR.:Flashing CPU Status:Stop	LCPU

A

 Appendix 1 Error Codes
 Appendix 1.3 List of error codes (1000 to 1999)

Error code	Error and cause	Corrective action	LED status, CPU status	Corresponding CPU
1710	<p>[UNIT BUS ERROR]</p> <ul style="list-style-type: none"> • An error was detected on the system bus. • An error was detected in the connected module. <p>■Collateral information</p> <ul style="list-style-type: none"> • Common information: Module No. (Slot No.) • Individual information: - <p>■Diagnostic timing</p> <ul style="list-style-type: none"> • Always 	<ul style="list-style-type: none"> • Disconnect the extension block. • Do not use the LA1S extension base unit. • Reset the CPU module and run it again. If the same error code is displayed again, the cause is a hardware failure of the CPU module, I/O module, intelligent function module, END cover, branch module, or extension module. Please consult your local Mitsubishi representative. 	<p>RUN: Off ERR.:Flashing</p> <p>CPU Status:Stop</p>	LCPU
1711	<p>[UNIT BUS ERROR]</p> <p>When I/O assignment parameters are set, the CPU module cannot access the special function module during initial communications. (If an error occurs, the start I/O number of the corresponding special function module is stored in the common information.)</p> <p>■Collateral information</p> <ul style="list-style-type: none"> • Common information: Module No. (Slot No.) • Individual information: - <p>■Diagnostic timing</p> <ul style="list-style-type: none"> • At power-on 	<p>Reset the CPU module and run it again. If the same error code is displayed again, the cause is a hardware failure of the LA1S extension base unit. Please consult your local Mitsubishi representative.</p>	<p>RUN: Off ERR.:Flashing</p> <p>CPU Status:Stop</p>	LCPU
1712	<p>[UNIT BUS ERROR]</p> <p>The FROM/TO instructions cannot be executed because of the error in the bus connecting with the special function module. (If an error occurs, the program error location is stored in the individual information.)</p> <p>■Collateral information</p> <ul style="list-style-type: none"> • Common information: Module No. (Slot No.) • Individual information: Program error location <p>■Diagnostic timing</p> <ul style="list-style-type: none"> • During execution of FROM/TO instruction set 	<p>Reset the CPU module and run it again. If the same error code is displayed again, the cause is a hardware failure of the LA1S extension base unit. Please consult your local Mitsubishi representative.</p>	<p>RUN: Off ERR.:Flashing</p> <p>CPU Status:Stop</p>	LCPU
1720	<p>[END COVER ERR.]</p> <p>A failure was detected on the END cover.</p> <p>■Collateral information</p> <ul style="list-style-type: none"> • Common information: Module No. (Block No.) • Individual information: - <p>■Diagnostic timing</p> <ul style="list-style-type: none"> • At power-on/At reset/When an END instruction executed 	<ul style="list-style-type: none"> • Securely connect the connector part of an extension cable to the module. (Insert the connector until it clicks.) • Replace the END cover. • Reset the CPU module and run it again. If the same error code is displayed again, the cause is a hardware failure of the CPU module, I/O module, intelligent function module, END cover, branch module, or extension module. Please consult your local Mitsubishi representative. 	<p>RUN: Off ERR.:Flashing</p> <p>CPU Status:Stop</p>	LCPU
1730	<p>[SYSTEM RST ERR.]</p> <ul style="list-style-type: none"> • An extension cable is not securely connected. • An error was detected in the system bus. <p>■Collateral information</p> <ul style="list-style-type: none"> • Common information: Module No. (Block No.) • Individual information: - <p>■Diagnostic timing</p> <ul style="list-style-type: none"> • At power-on/At reset 	<ul style="list-style-type: none"> • Securely connect the connector part of an extension cable to the module. (Insert the connector until it clicks.) • Replace the END cover. • Reset the CPU module and run it again. If the same error code is displayed again, the cause is a hardware failure of the CPU module, I/O module, intelligent function module, END cover, branch module, or extension module. Please consult your local Mitsubishi representative. 	<p>RUN: Off ERR.:Flashing</p> <p>CPU Status:Stop</p>	LCPU
1740	<p>[BRANCH UNIT ERR.]</p> <p>An error was detected in the branch module.</p> <p>■Collateral information</p> <ul style="list-style-type: none"> • Common information: Module No. (Slot No.) • Individual information: - <p>■Diagnostic timing</p> <ul style="list-style-type: none"> • Always 	<ul style="list-style-type: none"> • Replace the branch module. • Reset the CPU module and run it again. If the same error code is displayed again, the cause is a hardware failure of the CPU module, I/O module, intelligent function module, END cover, branch module, or extension module. Please consult your local Mitsubishi representative. 	<p>RUN: Off ERR.:Flashing</p> <p>CPU Status:Stop</p>	LCPU

Error code	Error and cause	Corrective action	LED status, CPU status	Corresponding CPU
1750	<p>[EXTEND UNIT ERR.] An error was detected in the extension module.</p> <p>■Collateral information</p> <ul style="list-style-type: none"> • Common information: Module No. (Block No.) • Individual information: - <p>■Diagnostic timing</p> <ul style="list-style-type: none"> • At power-on/At reset 	<ul style="list-style-type: none"> • Replace the extension module. • Reset the CPU module and run it again. If the same error code is displayed again, the cause is a hardware failure of the CPU module, I/O module, intelligent function module, END cover, branch module, or extension module. Please consult your local Mitsubishi representative. 	<p>RUN: Off ERR.:Flashing</p> <p>CPU Status:Stop</p>	LCPU
1760	<p>[BASE UNIT ERR.] An error was detected in the LA1S extension base unit.</p> <p>■Collateral information</p> <ul style="list-style-type: none"> • Common information: Module No. (Block No.) • Individual information: - <p>■Diagnostic timing</p> <ul style="list-style-type: none"> • Always 	<p>Reset the CPU module and run it again. If the same error code is displayed again, the cause is a hardware failure of the LA1S extension base unit. Please consult your local Mitsubishi representative.</p>	<p>RUN: Off ERR.:Flashing</p> <p>CPU Status:Stop</p>	LCPU

- *1 The operating status of the CPU module after an error has occurred can be set in parameter. (LED indication changes according to the status.)
- *2 The BAT.ALM LED turns on or flashes if the BATTERY ERROR occurs.
- *3 The operating status of each intelligent function module after an error has occurred can be set in parameter (stop or continue).
- *4 Built-in Ethernet port QCPU and Built-in Ethernet port LCPU
- *5 Universal model QCPU whose serial number (first five digits) is "13042" or later.
- *6 This applies to the Q10UD(E)HCPU, Q13UD(E)HCPU, Q20UD(E)HCPU, Q26UD(E)HCPU, Q50UDEHCPU, and Q100UDEHCPU.
- *7 Modules whose serial number (first five digits) is "08032" or later When the CPU module is powered on or reset, the error information is stored in SD6 (I/O No.).

A

Appendix 1.4 List of error codes (2000 to 2999)

The following table shows the error messages, the error contents and causes, and the corrective actions for the error codes (2000 to 2999).

Error code	Error and cause	Corrective action	LED status, CPU status	Corresponding CPU
2000	<p>[UNIT VERIFY ERR.] In a multiple CPU system, a CPU module incompatible with the multiple CPU system is mounted.</p> <p>■Collateral information</p> <ul style="list-style-type: none"> • Common information: Module No. (Slot No.) • Individual information: - <p>■Diagnostic timing</p> <ul style="list-style-type: none"> • When an END instruction executed 	<p>Replace the CPU module incompatible with the multiple CPU system with a CPU module compatible with the multiple CPU system.</p>	<p>RUN: Off/On ERR.:Flashing/On</p> <p>CPU Status: Stop/Continue*1</p>	<p>Qn(H) QnPH</p>
	<p>[UNIT VERIFY ERR.] The I/O module status is different from the I/O module information at power ON.</p> <ul style="list-style-type: none"> • The I/O module (including the intelligent function module) is nearly disconnected or removed while the system is running. <p>■Collateral information</p> <ul style="list-style-type: none"> • Common information: Module No. (Slot No.) [For Remote I/O network] and Network No./Station No. • Individual information: - <p>■Diagnostic timing</p> <ul style="list-style-type: none"> • When an END instruction executed 	<ul style="list-style-type: none"> • Read common information of the error using the programming tool to identify the numeric value (module No.). Check the module corresponding to the value and replace it as necessary. • Monitor SD150 to SD157 using the programming tool to identify the module whose data bit is "1". Check the corresponding module and replace it as necessary. 		<p>Q00J/Q00/Q01</p>
	<p>[UNIT VERIFY ERR.] The I/O module status is different from the I/O module information at power ON.</p> <ul style="list-style-type: none"> • The I/O module (including the intelligent function module/special function module) is nearly disconnected, removed, or mounted while the system is running. <p>■Collateral information</p> <ul style="list-style-type: none"> • Common information: Module No. (Slot No.) [For Remote I/O network] Network No./Station No. • Individual information: - <p>■Diagnostic timing</p> <ul style="list-style-type: none"> • Always 	<ul style="list-style-type: none"> • Read common information of the error using the programming tool to identify the numeric value (module No.). Check the module corresponding to the value and replace it as necessary. • Monitor SD1400 to SD1431 using the programming tool to identify the module whose data bit is "1". Check the corresponding module and replace it as necessary. • When a GOT is bus-connected to the main base unit or extension base unit, check the connection status of the extension cable and the grounding status of the GOT. 		<p>Qn(H) QnPH QnPRH QnU</p>
2001	<p>[UNIT VERIFY ERR.] During operation, a module was mounted on the slot where the empty setting of the CPU module was made.</p> <p>■Collateral information</p> <ul style="list-style-type: none"> • Common information: Module No. (CPU No.) • Individual information: - <p>■Diagnostic timing</p> <ul style="list-style-type: none"> • Always 	<p>During operation, do not mount a module on the slot where the empty setting of the CPU module was made.</p>	<p>RUN: Off/On ERR.:Flashing/On</p> <p>CPU Status: Stop/Continue*1</p>	<p>Q00J/Q00/Q01 QnU</p>
2010	<p>[BASE LAY ERROR]</p> <ul style="list-style-type: none"> • More than applicable number of extension base units have been used. • When a GOT was bus-connected, the CPU module was reset while the power of the GOT was OFF. <p>■Collateral information</p> <ul style="list-style-type: none"> • Common information: Base No. • Individual information: - <p>■Diagnostic timing</p> <ul style="list-style-type: none"> • At power-on/At reset 	<ul style="list-style-type: none"> • Use the allowable number of extension base units or less. • Power on the programmable controller and GOT again. 	<p>RUN: Off ERR.:Flashing</p> <p>CPU Status:Stop</p>	<p>Q00J/Q00/Q01 QnPRH Q00UJ Q00UCPU Q01UCPU Q02UCPU</p>

Error code	Error and cause	Corrective action	LED status, CPU status	Corresponding CPU
2011	<p>[BASE LAY ERROR] The QA1S3□B, QA1S3□B-E, QA1S5□B, QA1S6□B, QA1S6ADP+A1S5□B/A1S6□B, QA6□B, or QA6ADP+A5□B/A6□B was used as the base unit.</p> <p>■Collateral information</p> <ul style="list-style-type: none"> • Common information: Base No. • Individual information: - <p>■Diagnostic timing</p> <ul style="list-style-type: none"> • At power-on/At reset 	Do not use the QA1S3□B, QA1S3□B-E, QA1S5□B, QA1S6□B, QA1S6ADP+A1S5□B/A1S6□B, QA6□B, or QA6ADP+A5□B/A6□B as the base unit.	RUN: Off ERR.:Flashing CPU Status:Stop	Q00J/Q00/Q01 QnPH QnPRH QnU
2012	<p>[BASE LAY ERROR] The GOT is bus-connected to the main base unit of the redundant system. The following errors were detected in the redundant system.</p> <ul style="list-style-type: none"> • The base unit other than the Q6□WRB is connected to the extension stage No.1. • The base unit is connected to any one of the extension stages No.2 to No.7, although the Q6□WRB does not exist in the extension stage No.1. • The other system CPU module is incompatible with the extension base unit. • The Q5□B, QA1S5□B, QA1S6□B, QA1S6ADP+A1S5□B/A1S6□B, QA6□B or QA6ADP+A5□B/A6□B is connected. • The number of slots of the main base unit for both systems is different. • Information of the Q6□WRB cannot be read correctly. <p>■Collateral information</p> <ul style="list-style-type: none"> • Common information: Base No. • Individual information: - <p>■Diagnostic timing</p> <ul style="list-style-type: none"> • At power-on/At reset 	<ul style="list-style-type: none"> • Remove the bus connection cable for the GOT connected to the main base unit. • Use the Q6□WRB (fixed to the extension stage No.1). • Use the redundant CPU compatible with the extension base unit for the other system. • Do not use the Q5□B, QA1S5□B, QA1S6□B, QA1S6ADP+A1S5□B/A1S6□B, QA6□B, or QA6ADP+A5□B/A6□B as the base unit. • Use the main base unit which has the same number of slots. • The cause is a hardware failure of the Q6□WRB. Please consult your local Mitsubishi representative. 	RUN: Off ERR.:Flashing CPU Status:Stop	QnPRH
2013	<p>[BASE LAY ERROR] Stage number of the Q6□WRB is recognized as other than extension stage No.1 in the redundant system.</p> <p>■Collateral information</p> <ul style="list-style-type: none"> • Common information: Base No. • Individual information: - <p>■Diagnostic timing</p> <ul style="list-style-type: none"> • At power-on/At reset 	The cause is a hardware failure of the Q6□WRB. Please consult your local Mitsubishi representative.	RUN: Off ERR.:Flashing CPU Status:Stop	QnPRH
2014	<p>[BASE LAY ERROR] The branch module on the block before the LA1S5□B is connected on the left of the END cover.</p> <p>■Collateral information</p> <ul style="list-style-type: none"> • Common information: Module No. (Block No.) • Individual information: - <p>■Diagnostic timing</p> <ul style="list-style-type: none"> • At power-on/At reset 	<ul style="list-style-type: none"> • Replace the LA1S5□B with the LA1S6□B. • Connect the branch module on the LA1S5□B on the right of the CPU module or the extension module. 	RUN: Off ERR.:Flashing CPU Status:Stop	LCPU
2020	<p>[EXT.CABLE ERR.] The following errors were detected in the redundant system.</p> <ul style="list-style-type: none"> • At power-on/reset, the standby system has detected the error in the path between the control system and the Q6□WRB. • The standby system detected an error in the path to the Q6□WRB in the END processing. <p>■Collateral information</p> <ul style="list-style-type: none"> • Common information: - • Individual information: - <p>■Diagnostic timing</p> <ul style="list-style-type: none"> • At power-on/At reset/When an END instruction executed 	Check to see if the extension cable between the main base unit and the Q6□WRB is connected correctly. If not, connect it after turning OFF the main base unit where the extension cable will be connected. If the cable is properly connected, the cause is a hardware failure of the CPU module, Q6□WRB, or extension cable. Please consult your local Mitsubishi representative.	RUN: Off ERR.:Flashing CPU Status:Stop	QnPRH

Error code	Error and cause	Corrective action	LED status, CPU status	Corresponding CPU
2030	<p>[NO END COVER]</p> <ul style="list-style-type: none"> There is no END cover. The LA1S extension base unit is used as an extension base unit. <p>■Collateral information</p> <ul style="list-style-type: none"> Common information: Module No. (Block No.) Individual information: - <p>■Diagnostic timing</p> <ul style="list-style-type: none"> At power-on/At reset 	<ul style="list-style-type: none"> Attach an END cover. Check that the modules are properly connected with referring to the System Monitor window. Do not use the LA1S extension base unit. Reset the CPU module and run it again. If the same error code is displayed again, the cause is a hardware failure of the CPU module, I/O module, intelligent function module, END cover, branch module, or extension module. Please consult your local Mitsubishi representative. 	<p>RUN: Off ERR.:Flashing</p> <p>CPU Status:Stop</p>	LCPU
2031	<p>[NO END COVER]</p> <p>There is no END cover.</p> <p>■Collateral information</p> <ul style="list-style-type: none"> Common information: Module No. (Block No.) Individual information: - <p>■Diagnostic timing</p> <ul style="list-style-type: none"> When an END instruction executed 	<ul style="list-style-type: none"> Attach an END cover. Check that the modules are properly connected with referring to the System Monitor window. Do not use the LA1S extension base unit. Reset the CPU module and run it again. If the same error code is displayed again, the cause is a hardware failure of the CPU module, I/O module, intelligent function module, END cover, branch module, or extension module. Please consult your local Mitsubishi representative. 	<p>RUN: Off ERR.:Flashing</p> <p>CPU Status:Stop</p>	LCPU
2040	<p>[UNIT BAD CONNECT]</p> <ol style="list-style-type: none"> The I/O module status is different from the I/O module information at power ON. The I/O module (including the intelligent function module) is nearly disconnected or removed while the system is running. An extension cable is not securely connected. Runaway or failure of the CPU module (built-in I/O, built-in CC-Link) <ul style="list-style-type: none"> Malfunction due to noise or other causes Hardware failure <p>■Collateral information</p> <ul style="list-style-type: none"> Common information: Module No. (Slot No.) Individual information: - <p>■Diagnostic timing</p> <ul style="list-style-type: none"> Always 	<ul style="list-style-type: none"> Read common information of the error using the programming tool to identify the numeric value (module No.). Check the module corresponding to the value and replace it as necessary. Monitor SD1400 to SD1431 using the programming tool to identify the module whose data bit is "1". Check the corresponding module and replace it as necessary. Securely connect the connector part of an extension cable to the module. (Insert the connector until it clicks.) Take noise reduction measures. Reset the CPU module and run it again. If the same error code is displayed again, the cause is a hardware failure of the CPU module, I/O module, intelligent function module, END cover, branch module, or extension module. Please consult your local Mitsubishi representative. 	<p>RUN: Off ERR.:Flashing</p> <p>CPU Status:Stop</p>	LCPU
2050	<p>[EXT. CABLE ERR.]</p> <p>An extension cable is disconnected.</p> <p>■Collateral information</p> <ul style="list-style-type: none"> Common information: Module No. (Block No.) Individual information: - <p>■Diagnostic timing</p> <ul style="list-style-type: none"> When an END instruction executed 	<ul style="list-style-type: none"> Connect the extension cable. Reset the CPU module and run it again. If the same error code is displayed again, the cause is a hardware failure of the CPU module, I/O module, intelligent function module, END cover, branch module, or extension module. Please consult your local Mitsubishi representative. 	<p>RUN: Off ERR.:Flashing</p> <p>CPU Status:Stop</p>	LCPU

Error code	Error and cause	Corrective action	LED status, CPU status	Corresponding CPU
2100	<p>[SP.UNIT LAY ERR.] The slot where the QI60 is mounted was assigned as other than an intelligent function module or interrupt module in the I/O assignment tab of "PLC Parameter".</p> <p>■Collateral information</p> <ul style="list-style-type: none"> • Common information: Module No. (Slot No.) • Individual information: - <p>■Diagnostic timing</p> <ul style="list-style-type: none"> • At power-on/At reset 	<p>Make setting again to match the PLC parameter I/O assignment with the actual loading status.</p>		<p>Qn(H) QnPH QnPRH</p>
	<p>[SP.UNIT LAY ERR.]</p> <ul style="list-style-type: none"> • In the I/O Assignment tab of "PLC Parameter", "Intelligent" (intelligent function module) is set for the slot where an I/O module is mounted, and vice versa. • In the I/O Assignment tab of "PLC Parameter", a module other than a CPU module or empty is set for the slot where a CPU module is mounted, and vice versa. • In the I/O Assignment tab of "PLC Parameter", switch settings are configured for the module that does not support the setting. • In the I/O Assignment tab of "PLC Parameter", the number of points assigned to the intelligent function module is less than that of the mounted module. <p>■Collateral information</p> <ul style="list-style-type: none"> • Common information: Module No. (Slot No.) • Individual information: - <p>■Diagnostic timing</p> <ul style="list-style-type: none"> • At power-on/At reset 	<ul style="list-style-type: none"> • Set the I/O assignment again so that the setting matches with the mounting status of the intelligent function module or the CPU module. • Delete the switch setting in the I/O assignment setting tab of "PLC parameter". 	<p>RUN: Off ERR.:Flashing CPU Status:Stop</p>	<p>Qn(H) QnPH QnPRH QnU</p>
	<p>[SP.UNIT LAY ERR.]</p> <ul style="list-style-type: none"> • In the I/O Assignment tab of "PLC Parameter", "Intelligent" (intelligent function module) is set for the slot where an I/O module is mounted, and vice versa. • In the I/O Assignment tab of "PLC Parameter", a module other than a CPU module or empty is set for the slot where a CPU module is mounted, and vice versa. • In the I/O Assignment tab of "PLC Parameter", the number of points assigned to the intelligent function module is less than that of the mounted module. <p>■Collateral information</p> <ul style="list-style-type: none"> • Common information: Module No. (Slot No.) • Individual information: - <p>■Diagnostic timing</p> <ul style="list-style-type: none"> • At power-on/At reset 	<p>Set the I/O assignment again so that the setting matches with the mounting status of the intelligent function module or the CPU module.</p>		<p>Q00J/Q00/Q01</p>

A

Error code	Error and cause	Corrective action	LED status, CPU status	Corresponding CPU
2100	<p>[SP.UNIT LAY ERR.]</p> <ul style="list-style-type: none"> In the I/O Assignment tab of "PLC Parameter", "Intelligent" (intelligent function module) or a branch module is set for the position where an I/O module is connected. In the I/O Assignment tab of "PLC Parameter", "Input" (input module), "Output" (output module), or a branch module is set for the position where an intelligent function module is connected. In the I/O Assignment tab of "PLC Parameter", "Input" (input module), "Output" (output module), or "Intelligent" (intelligent function module) is set for the position where a branch module is connected. In the I/O Assignment tab of "PLC Parameter", switch settings are configured for the module that does not support the setting. In the I/O Assignment tab of "PLC Parameter", the number of points assigned to the intelligent function module is less than that of the mounted module. <p>■Collateral information</p> <ul style="list-style-type: none"> Common information: Module No. (Slot No.) Individual information: - <p>■Diagnostic timing</p> <ul style="list-style-type: none"> At power-on/At reset 	<ul style="list-style-type: none"> Set the I/O assignment again so that the setting matches with the mounting status of the intelligent function module, CPU module, or branch module. Delete the switch setting in the I/O assignment setting tab of "PLC parameter". Reset the CPU module and run it again. If the same error code is displayed again, the cause is a hardware failure of the CPU module, I/O module, intelligent function module, END cover, branch module, or extension module. Please consult your local Mitsubishi representative. 	<p>RUN: Off ERR.:Flashing</p> <p>CPU Status:Stop</p>	LCPU
	<p>[SP.UNIT LAY ERR.]</p> <p>In the PLC parameter setting, setting content for the adapter type is different from the ones for the mounted adapter. Or no adapter has been set.</p> <p>■Collateral information</p> <ul style="list-style-type: none"> Common information: FFFF_H (fixed) Individual information: - <p>■Diagnostic timing</p> <ul style="list-style-type: none"> At power-on/At reset 	<ul style="list-style-type: none"> Make setting again to match the PLC parameter adapter type setting with the mounted adapter. Reset the CPU module and run it again. If the same error code is displayed again, the cause is a hardware failure of the CPU module, RS-232 adapter, and RS-422/485 adapter. Please consult your local Mitsubishi representative. 		LCPU
2101	<p>[SP.UNIT LAY ERR.]</p> <p>13 or more A-series special function modules (except for the A1S161/AI61(-S1)) that can initiate an interrupt to the CPU module have been installed.</p> <p>■Collateral information</p> <ul style="list-style-type: none"> Common information: Module No. (Slot No.) Individual information: - <p>■Diagnostic timing</p> <ul style="list-style-type: none"> At power-on/At reset 	<p>Reduce the number of A series special function modules (except the A1S161/AI61(-S1)) that can start interrupt programs to the CPU module to 12 or less.</p>	<p>RUN: Off ERR.:Flashing</p> <p>CPU Status:Stop</p>	Qn(H)
2102	<p>[SP.UNIT LAY ERR.]</p> <p>Total of 7 or more MELSECNET, MELSECNET/B local station data link module (A1SJ71AP23Q, A1SJ71AR23Q, A1SJ71AT23BQ), A/QnA intelligent communication module (A1SD51, AD51(H)(-S3)), A/QnA JEMANET(JPCN-1) master module (A1SJ71J92-S3, AJ71J92-S3), A/QnA external failure diagnostics module (AD51FD-S3), and A/QnA paging interface module (A1SD21-S1) have been installed.</p> <p>■Collateral information</p> <ul style="list-style-type: none"> Common information: Module No. (Slot No.) Individual information: - <p>■Diagnostic timing</p> <ul style="list-style-type: none"> At power-on/At reset 	<p>Reduce the total number of MELSECNET, MELSECNET/B local station data link modules, A/QnA intelligent communication modules, A/QnA JEMANET(JPCN-1) master modules, A/QnA external failure diagnostics modules, and A/QnA paging interface modules in the system to six or less.</p>	<p>RUN: Off ERR.:Flashing</p> <p>CPU Status:Stop</p>	<p>Qn(H) QnU (except the QnUDPV) LCPU</p>

Error code	Error and cause	Corrective action	LED status, CPU status	Corresponding CPU
2103	<p>[SP.UNIT LAY ERR.]</p> <ul style="list-style-type: none"> Two or more QI60/A1SI61/AI61(-S1) modules are mounted in a single CPU system. Two or more QI60/A1SI61/AI61(-S1) modules are set to the same control CPU in a multiple CPU system. Two or more A1SI61/AI61(-S1) modules are loaded in a multiple CPU system. <p>■Collateral information</p> <ul style="list-style-type: none"> Common information: Module No. (Slot No.) Individual information: - <p>■Diagnostic timing</p> <ul style="list-style-type: none"> At power-on/At reset 	<ul style="list-style-type: none"> Mount only one QI60/A1SI61/AI61(-S1) module in the single CPU system. Mount only one A1SI61/AI61(-S1) module in the single CPU system, and set an interrupt pointer to the QI60. Control only one QI60/A1SI61/AI61(-S1) module by the control CPU module in the multiple CPU system. Mount only one A1SI61/AI61(-S1) module in the multiple CPU system. 	<p>RUN: Off ERR.:Flashing</p> <p>CPU Status:Stop</p>	<p>Qn(H) QnPH QnU⁴</p>
	<p>[SP.UNIT LAY ERR.]</p> <p>Two or more QI60, A1SI61 interrupt modules have been mounted.</p> <p>■Collateral information</p> <ul style="list-style-type: none"> Common information: Module No. (Slot No.) Individual information: - <p>■Diagnostic timing</p> <ul style="list-style-type: none"> At power-on/At reset 	<p>Reduce the number of QI60 and A1SI61 modules to one each.</p>		<p>Qn(H) QnPRH</p>
	<p>[SP.UNIT LAY ERR.]</p> <p>Two or more QI60 modules are mounted.</p> <p>■Collateral information</p> <ul style="list-style-type: none"> Common information: Module No. (Slot No.) Individual information: - <p>■Diagnostic timing</p> <ul style="list-style-type: none"> At power-on/At reset 	<p>Mount only one QI60 module.</p>		<p>Q00J/Q00/Q01</p>
	<p>[SP.UNIT LAY ERR.]</p> <p>Two or more QI60 modules where interrupt pointer setting has not been made are mounted.</p> <p>■Collateral information</p> <ul style="list-style-type: none"> Common information: Module No. (Slot No.) Individual information: - <p>■Diagnostic timing</p> <ul style="list-style-type: none"> At power-on/At reset 	<ul style="list-style-type: none"> Mount only one QI60 module. Set an interrupt pointer to the second QI60 module and later. 		<p>Q00J/Q00/Q01 QnU</p>
	<p>[SP.UNIT LAY ERR.]</p> <ul style="list-style-type: none"> An interrupt pointer set in built-in I/O function setting parameter and the interrupt pointer for the A1SI61 are overlapping. Two or more A1SI61 modules are mounted. <p>■Collateral information</p> <ul style="list-style-type: none"> Common information: Module No. (Slot No.) Individual information: - <p>■Diagnostic timing</p> <ul style="list-style-type: none"> At power-on/At reset 	<ul style="list-style-type: none"> Set interrupt pointers so that they do not overlap. Mount only one A1SI61 module. 		<p>LCPU</p>

A

Appendix 1 Error Codes
Appendix 1.4 List of error codes (2000 to 2999)

Error code	Error and cause	Corrective action	LED status, CPU status	Corresponding CPU
2106	<p>[SP.UNIT LAY ERR.]</p> <ul style="list-style-type: none"> Two or more MELSECNET/H and CC-Link IE Controller Network modules in total are mounted in the entire system. Two or more Ethernet modules are mounted in the entire system. <p>■Collateral information</p> <ul style="list-style-type: none"> Common information: Module No. (Slot No.) Individual information: - <p>■Diagnostic timing</p> <ul style="list-style-type: none"> At power-on/At reset 	<ul style="list-style-type: none"> Mount either MELSECNET/H module or CC-Link IE Controller Network module in the entire system. Mount only one Ethernet module in the entire system. 	RUN: Off ERR.:Flashing CPU Status:Stop	Q00UJCPU
	<p>[SP.UNIT LAY ERR.]</p> <ul style="list-style-type: none"> Two or more MELSECNET/H and CC-Link IE Controller Network modules in total are mounted in the entire system. Two or more Ethernet modules are mounted in the entire system. <p>■Collateral information</p> <ul style="list-style-type: none"> Common information: Module No. (Slot No.) Individual information: - <p>■Diagnostic timing</p> <ul style="list-style-type: none"> At power-on/At reset 	<ul style="list-style-type: none"> Mount either MELSECNET/H module or CC-Link IE Controller Network module in the entire system. Mount only one Ethernet module in the entire system. 		Q00UCPU Q01UCPU
	<p>[SP.UNIT LAY ERR.]</p> <ul style="list-style-type: none"> Three or more MELSECNET/H and CC-Link IE Controller Network modules in total are mounted in the entire system. Three or more Ethernet interface modules are mounted in the entire system. <p>■Collateral information</p> <ul style="list-style-type: none"> Common information: Module No. (Slot No.) Individual information: - <p>■Diagnostic timing</p> <ul style="list-style-type: none"> At power-on/At reset 	<ul style="list-style-type: none"> Reduce the number of MELSECNET/H and CCLink IE Controller Network modules to two or less in the entire system. Reduce the number of Ethernet modules to two or less in the entire system. 		Q02UCPU
	<p>[SP.UNIT LAY ERR.]</p> <ul style="list-style-type: none"> Five or more MELSECNET/H and CC-Link IE Controller Network modules in total are mounted in the entire system. Five or more Ethernet interface modules are mounted in the entire system. <p>■Collateral information</p> <ul style="list-style-type: none"> Common information: Module No. (Slot No.) Individual information: - <p>■Diagnostic timing</p> <ul style="list-style-type: none"> At power-on/At reset 	<ul style="list-style-type: none"> Reduce the number of MELSECNET/H and CCLink IE Controller Network modules to four or less in the entire system. Reduce the number of Ethernet modules to four or less in the entire system. 		QnU
	<p>[SP.UNIT LAY ERR.]</p> <ul style="list-style-type: none"> Three or more CC-Link IE Controller Network modules are mounted in the entire system. Five or more MELSECNET/H and CC-Link IE Controller Network modules in total are mounted in the entire system. <p>■Collateral information</p> <ul style="list-style-type: none"> Common information: Module No. (Slot No.) Individual information: - <p>■Diagnostic timing</p> <ul style="list-style-type: none"> At power-on/At reset 	<ul style="list-style-type: none"> Reduce the number of CC-Link IE Controller Network modules to two or less in the entire system. Reduce the number of MELSECNET/H and CCLink IE Controller Network modules to four or less in the entire system. 		Qn(H) QnPH QnPRH

Error code	Error and cause	Corrective action	LED status, CPU status	Corresponding CPU
2106	<p>[SP.UNIT LAY ERR.]</p> <ul style="list-style-type: none"> Five or more MELSECNET/H modules have been installed. Five or more Ethernet interface modules have been installed. <p>■Collateral information</p> <ul style="list-style-type: none"> Common information: Module No. (Slot No.) Individual information: - <p>■Diagnostic timing</p> <ul style="list-style-type: none"> At power-on/At reset 	<ul style="list-style-type: none"> Reduce the number of MELSECNET/H modules to four or less. Reduce the number of Ethernet modules to four or less. 	RUN: Off ERR.:Flashing CPU Status:Stop	Qn(H) QnPH QnPRH QnUDPV
	<p>[SP.UNIT LAY ERR.]</p> <ul style="list-style-type: none"> Two or more MELSECNET/H modules were installed. Two or more Ethernet modules were installed. Three or more CC-Link modules were installed. <p>■Collateral information</p> <ul style="list-style-type: none"> Common information: Module No. (Slot No.) Individual information: - <p>■Diagnostic timing</p> <ul style="list-style-type: none"> At power-on/At reset 	<ul style="list-style-type: none"> Mount only one MELSECNET/H module. Mount only one Ethernet module. Reduce the number of CC-Link modules to two or less. 		Q00J/Q00/Q01
	<p>[SP.UNIT LAY ERR.]</p> <p>The same network number or same station number is duplicated in the MELSECNET/H network system.</p> <p>■Collateral information</p> <ul style="list-style-type: none"> Common information: Module No. (Slot No.) Individual information: - <p>■Diagnostic timing</p> <ul style="list-style-type: none"> At power-on/At reset 	Check the network number and station number.		Q00J/Q00/Q01 Qn(H) QnPH QnPRH
	<p>[SP.UNIT LAY ERR.]</p> <p>Two or more Ethernet modules were installed.</p> <p>■Collateral information</p> <ul style="list-style-type: none"> Common information: Module No. (Slot No.) Individual information: - <p>■Diagnostic timing</p> <ul style="list-style-type: none"> At power-on/At reset 	Mount only one Ethernet module.		L02SCPU L02SCPU-P L02CPU L02CPU-P
	<p>[SP.UNIT LAY ERR.]</p> <p>Three or more Ethernet modules were installed.</p> <p>■Collateral information</p> <ul style="list-style-type: none"> Common information: Module No. (Slot No.) Individual information: - <p>■Diagnostic timing</p> <ul style="list-style-type: none"> At power-on/At reset 	Reduce the number of Ethernet modules to two or less.		L06CPU L06CPU-P L26CPU L26CPU-P L26CPU-BT L26CPU-PBT
2107	<p>[SP.UNIT LAY ERR.]</p> <p>The start X/Y configured in the I/O Assignment tab of "PLC Parameter" is overlapped with that for another module.</p> <p>■Collateral information</p> <ul style="list-style-type: none"> Common information: Module No. (Slot No.) Individual information: - <p>■Diagnostic timing</p> <ul style="list-style-type: none"> At power-on/At reset 	Configure the I/O assignment setting of the PLC parameter again so that it is consistent with the actual status of the intelligent function modules, special function modules, and I/O modules.	RUN: Off ERR.:Flashing CPU Status:Stop	QCPU
	<p>[SP.UNIT LAY ERR.]</p> <p>The start X/Y configured in the I/O Assignment tab of "PLC Parameter" is overlapped with that for another module.</p> <p>■Collateral information</p> <ul style="list-style-type: none"> Common information: Module No. (Slot No.) Individual information: - <p>■Diagnostic timing</p> <ul style="list-style-type: none"> At power-on/At reset 	<ul style="list-style-type: none"> Configure the start X/Y again in the I/O Assignment tab of "PLC Parameter" according to the intelligent function module and I/O modules connected. Reset the CPU module and run it again. If the same error code is displayed again, the cause is a hardware failure of the CPU module, I/O module, intelligent function module, END cover, branch module, or extension module. Please consult your local Mitsubishi representative. 		LCPU

A

 Appendix 1 Error Codes
 Appendix 1.4 List of error codes (2000 to 2999)

Error code	Error and cause	Corrective action	LED status, CPU status	Corresponding CPU
2108	<p>[SP.UNIT LAY ERR.]</p> <ul style="list-style-type: none"> The A1SJ71LP21, A1SJ71LR21, A1SJ71BR11, A1SJ71AP21, A1SJ71AR21, or A1SJ71AT21B network module dedicated for the A2USCPU is used. The A1SJ71QLP21, A1SJ71QLP21S, A1SJ71QLR21, or A1SJ71QBR11 network module dedicated for the Q2ASCPU is used. The AJ71LP21, AJ71LP21G, AJ71BR11, AJ71AP21, AJ71AR21, or AJ71AT21B network module dedicated for the A2UCPU is used. The AJ71QLP21, AJ71QLP21S, AJ71QLP21G or AJ71QBR11 network module dedicated for the Q2ACPU is used. <p>■Collateral information</p> <ul style="list-style-type: none"> Common information: Module No. (Slot No.) Individual information: - <p>■Diagnostic timing</p> <ul style="list-style-type: none"> At power-on/At reset 	Replace the network module for the A2USCPU, Q2ASCPU, A2UCPU, or Q2ACPU with the MELSECNET/H module.	RUN: Off ERR.:Flashing CPU Status:Stop	Qn(H) QnU (except the QnUDPV)
	<p>[SP.UNIT LAY ERR.]</p> <ul style="list-style-type: none"> The A1SJ71LP21, A1SJ71LR21, A1SJ71BR11, A1SJ71AP21, A1SJ71AR21, or A1SJ71AT21B network module dedicated for the A2USCPU is used. The A1SJ71QLP21, A1SJ71QLP21S, A1SJ71QLR21, or A1SJ71QBR11 network module dedicated for the Q2ASCPU is used. <p>■Collateral information</p> <ul style="list-style-type: none"> Common information: Module No. (Slot No.) Individual information: - <p>■Diagnostic timing</p> <ul style="list-style-type: none"> At power-on/At reset 	Disconnect the corresponding module. Use the CC-Link IE Field Network master/local module.		LCPU
2110	<p>[SP. UNIT ERROR]</p> <ul style="list-style-type: none"> The location designated by the FROM/TO instruction set is not the intelligent function module/special function module. The module that does not include buffer memory has been specified by the FROM/TO instruction. The intelligent function module/special function module, Network module being accessed is faulty. Station not loaded was specified using the instruction whose target was the CPU share memory. <p>■Collateral information</p> <ul style="list-style-type: none"> Common information: Module No. (Slot No.) Individual information: Program error location <p>■Diagnostic timing</p> <ul style="list-style-type: none"> When instruction executed 	<ul style="list-style-type: none"> Read the individual information of the error using the programming tool to identify the numeric value (program error location). Correct the FROM/TO instruction corresponding to the value as necessary. The cause is a hardware fault of the intelligent function module/special function module in the access destination. Please consult your local Mitsubishi representative. 	RUN: Off/On ERR.:Flashing/On CPU Status: Stop/Continue*1	Q00J/Q00/Q01 Qn(H) QnPH QnPRH QnU
	<p>[SP. UNIT ERROR]</p> <ul style="list-style-type: none"> A module other than intelligent function modules is specified with the FROM/TO instruction. The module specified with the FROM/TO instruction does not have the buffer memory. The intelligent function module being accessed is faulty. <p>■Collateral information</p> <ul style="list-style-type: none"> Common information: Module No. (Slot No.) Individual information: Program error location <p>■Diagnostic timing</p> <ul style="list-style-type: none"> When instruction executed 	<ul style="list-style-type: none"> Read the individual information of the error using the programming tool to identify the numeric value (program error location). Correct the FROM/TO instruction corresponding to the value as necessary. Reset the CPU module and run it again. If the same error code is displayed again, the cause is a hardware failure of the CPU module, I/O module, intelligent function module, END cover, branch module, or extension module. Please consult your local Mitsubishi representative. 		LCPU

Error code	Error and cause	Corrective action	LED status, CPU status	Corresponding CPU
2111	<p>[SP. UNIT ERROR]</p> <ul style="list-style-type: none"> The location designated by a link direct device (J□□) is not a network module. The I/O module (including the intelligent function module/special function module) is nearly disconnected, removed, or mounted while the system is running. <p>■Collateral information</p> <ul style="list-style-type: none"> Common information: Module No. (Slot No.) Individual information: Program error location <p>■Diagnostic timing</p> <ul style="list-style-type: none"> When instruction executed 	<ul style="list-style-type: none"> Read the individual information of the error using the programming tool to identify the numeric value (program error location). Correct the FROM/TO instruction corresponding to the value as necessary. The cause is a hardware fault of the intelligent function module/special function module in the access destination. Please consult your local Mitsubishi representative. 	RUN: Off/On ERR.:Flashing/On	QCPU
	<p>[SP. UNIT ERROR]</p> <p>The location designated by a link direct device (J□□) is not a network module.</p> <p>■Collateral information</p> <ul style="list-style-type: none"> Common information: Module No. (Slot No.) Individual information: Program error location <p>■Diagnostic timing</p> <ul style="list-style-type: none"> When instruction executed/STOP → RUN 	<ul style="list-style-type: none"> Read the individual information of the error using the programming tool to identify the numeric value (program error location). Correct the FROM/TO instruction corresponding to the value as necessary. Reset the CPU module and run it again. If the same error code is displayed again, the cause is a hardware failure of the CPU module, I/O module, intelligent function module, END cover, branch module, or extension module. Please consult your local Mitsubishi representative. 	CPU Status: Stop/Continue*1	LCPU
2112	<p>[SP. UNIT ERROR]</p> <ul style="list-style-type: none"> The module other than intelligent function module/special function module is specified by the intelligent function module/special function module dedicated instruction. Or, it is not the corresponding intelligent function module/special function module. There is no network No. specified by the network dedicated instruction. Or the relay target network does not exit. <p>■Collateral information</p> <ul style="list-style-type: none"> Common information: Module No. (Slot No.) Individual information: Program error location <p>■Diagnostic timing</p> <ul style="list-style-type: none"> When instruction executed 	<p>Read the individual information of the error using the programming tool to identify the numeric value (program error location). Check the intelligent function module/special function module dedicated instruction (instruction for a network) corresponding to the value and correct it as necessary.</p>	RUN: Off/On ERR.:Flashing/On	QCPU
	<p>[SP. UNIT ERROR]</p> <ul style="list-style-type: none"> The module other than intelligent function module was specified with an intelligent function module dedicated instruction. Or there is no relevant intelligent function module. There is no network No. specified by the network dedicated instruction. Or the relay target network does not exit. <p>■Collateral information</p> <ul style="list-style-type: none"> Common information: Module No. (Slot No.) Individual information: Program error location <p>■Diagnostic timing</p> <ul style="list-style-type: none"> When instruction executed/STOP → RUN 	<ul style="list-style-type: none"> Read the individual information of the error using the programming tool to identify the numeric value (program error location). Check the intelligent function module dedicated instruction corresponding to the value and correct it as necessary. Reset the CPU module and run it again. If the same error code is displayed again, the cause is a hardware failure of the CPU module, I/O module, intelligent function module, END cover, branch module, or extension module. Please consult your local Mitsubishi representative. 	CPU Status: Stop/Continue*1	LCPU
2113	<p>[SP. UNIT ERROR]</p> <p>The module other than network module is specified by the network dedicated instruction.</p> <p>■Collateral information</p> <ul style="list-style-type: none"> Common information: FFFF_H (fixed) Individual information: Program error location <p>■Diagnostic timing</p> <ul style="list-style-type: none"> When instruction executed/STOP → RUN 	<p>Read the individual information of the error using the programming tool to identify the numeric value (program error location). Check the intelligent function module/special function module dedicated instruction (instruction for a network) corresponding to the value and correct it as necessary.</p>	RUN: Off/On ERR.:Flashing/On CPU Status: Stop/Continue*1	Qn(H) QnPH

Error code	Error and cause	Corrective action	LED status, CPU status	Corresponding CPU
2114	<p>[SP. UNIT ERROR] An instruction, which on execution specifies other stations, has been used for specifying the host CPU. (An instruction that does not allow the host CPU to be specified).</p> <p>■Collateral information</p> <ul style="list-style-type: none"> • Common information: Module No. (Slot No.) • Individual information: Program error location <p>■Diagnostic timing</p> <ul style="list-style-type: none"> • When instruction executed 	Read individual information of the error using the programming tool to identify the numeric value (program error location). Check the error step corresponding to the value and correct it as necessary.	RUN: Off/On ERR.:Flashing/On CPU Status: Stop/Continue	Q00J/Q00/Q01 Qn(H) QnPH QnU
2115	<p>[SP. UNIT ERROR] An instruction, which on execution specifies the host CPU, has been used for specifying other CPUs. (An instruction that does not allow other stations to be specified).</p> <p>■Collateral information</p> <ul style="list-style-type: none"> • Common information: Module No. (Slot No.) • Individual information: Program error location <p>■Diagnostic timing</p> <ul style="list-style-type: none"> • When instruction executed/STOP → RUN 	Read individual information of the error using the programming tool to identify the numeric value (program error location). Check the error step corresponding to the value and correct it as necessary.	RUN: Off/On ERR.:Flashing/On CPU Status: Stop/Continue	Q00J/Q00/Q01 Qn(H) QnPH
2116	<p>[SP. UNIT ERROR]</p> <ul style="list-style-type: none"> • An instruction that does not allow the under the control of another CPU to be specified is being used for a similar task. • Instruction was executed for the A or QnA module under control of another CPU. <p>■Collateral information</p> <ul style="list-style-type: none"> • Common information: Module No. (Slot No.) • Individual information: Program error location <p>■Diagnostic timing</p> <ul style="list-style-type: none"> • When instruction executed 	Read individual information of the error using the programming tool to identify the numeric value (program error location). Check the error step corresponding to the value and correct it as necessary.	RUN: Off/On ERR.:Flashing/On CPU Status: Stop/Continue	Q00J/Q00/Q01 Qn(H) QnPH QnU
2117	<p>[SP. UNIT ERROR] A CPU module that cannot be specified in the instruction dedicated to the multiple CPU system was specified.</p> <p>■Collateral information</p> <ul style="list-style-type: none"> • Common information: Module No. (Slot No.) • Individual information: Program error location <p>■Diagnostic timing</p> <ul style="list-style-type: none"> • When instruction executed 	Read individual information of the error using the programming tool to identify the numeric value (program error location). Check the error step corresponding to the value and correct it as necessary.	RUN: Off/On ERR.:Flashing/On CPU Status: Stop/Continue	Q00J/Q00/Q01 Qn(H) QnPH QnU
2118	<p>[SP. UNIT ERROR] When the online module change setting is set to be "enabled" in the PLC parameter in a multiple CPU system, intelligent function module controlled by other CPU using the FROM instruction/intelligent function module device (U□\G□) is specified.</p> <p>■Collateral information</p> <ul style="list-style-type: none"> • Common information: Module No. (Slot No.) • Individual information: Program error location <p>■Diagnostic timing</p> <ul style="list-style-type: none"> • When instruction executed 	<ul style="list-style-type: none"> • When performing the online module change in a multiple CPU system, correct the program so that access will not be made to the intelligent function module controlled by the other CPU. • When accessing the intelligent function module controlled by the other CPU in a multiple CPU system, set the online module change setting to be "disabled" by parameter. 	RUN: Off/On ERR.:Flashing/On CPU Status: Stop/Continue	Qn(H) QnPH QnU

Error code	Error and cause	Corrective action	LED status, CPU status	Corresponding CPU
2120	<p>[SP.UNIT LAY ERR.]</p> <ul style="list-style-type: none"> The Q5□B and Q6□B, or the QA1S5□B, QA1S6□B, QA1S6ADP+A1S5□B/A1S6□B, QA6□B and QA6ADP+A5□B/A6□B are connected in the wrong order, or the setting of the extension level setting connector is incorrect. I/O numbers for Q series modules and A series modules are assigned in the wrong order. <p>■Collateral information</p> <ul style="list-style-type: none"> Common information: - Individual information: - <p>■Diagnostic timing</p> <ul style="list-style-type: none"> At power-on/At reset 	<ul style="list-style-type: none"> Check and correct the connection order of the base units and the setting of the extension level setting connector. Assign I/O numbers in an order of: Q series modules → A series modules or A series modules → Q series modules. 	<p>RUN: Off ERR.:Flashing</p>	<p>Q00J/Q00/Q01 Qn(H) QnPH QnU</p>
	<p>[SP.UNIT LAY ERR.]</p> <ul style="list-style-type: none"> The LA1S extension base unit is connected in the wrong position, or the setting of the extension level setting connector is incorrect. I/O numbers for L series modules and AnS/QnAS series modules are assigned in the wrong order. <p>■Collateral information</p> <ul style="list-style-type: none"> Common information: - Individual information: - <p>■Diagnostic timing</p> <ul style="list-style-type: none"> At power-on/At reset 	<ul style="list-style-type: none"> Check and correct the connecting position of the LA1S extension base unit and the setting of the extension level setting connector. Assign I/O numbers in an order of: L series modules → AnS/QnAS series modules or AnS/QnAS series modules → L series modules. 	<p>CPU Status:Stop</p>	<p>LCPU</p>
2121	<p>[SP.UNIT LAY ERR.]</p> <p>The CPU module is installed to other than the CPU slot and slots 0 to 2.</p> <p>■Collateral information</p> <ul style="list-style-type: none"> Common information: - Individual information: - <p>■Diagnostic timing</p> <ul style="list-style-type: none"> At power-on/At reset 	<p>Check the loading position of the CPU module and reinstall it at the correct slot.</p>	<p>RUN: Off ERR.:Flashing</p> <p>CPU Status:Stop</p>	<p>Qn(H) QnPH</p>
2122	<p>[SP.UNIT LAY ERR.]</p> <p>The QA1S3□B and QA1S3□B-E are used as the main base unit.</p> <p>■Collateral information</p> <ul style="list-style-type: none"> Common information: - Individual information: - <p>■Diagnostic timing</p> <ul style="list-style-type: none"> At power-on/At reset 	<p>Replace the main base unit with a usable one.</p>	<p>RUN: Off ERR.:Flashing</p> <p>CPU Status:Stop</p>	<p>Qn(H) QnPH QnPRH QnU</p>

A

Error code	Error and cause	Corrective action	LED status, CPU status	Corresponding CPU
2124	<p>[SP.UNIT LAY ERR.]</p> <ul style="list-style-type: none"> • A module is mounted on the 65th slot or later slot. • A module is mounted on the slot whose number is greater than the number of slots specified at [Slots] in [Standard setting] of the base setting. • A module is mounted on the slot whose number of I/O points exceeds 4096 points. • A module is mounted on the slot whose number of I/O points strides 4096 points. <p>■Collateral information</p> <ul style="list-style-type: none"> • Common information: - • Individual information: - <p>■Diagnostic timing</p> <ul style="list-style-type: none"> • At power-on/At reset 	<ul style="list-style-type: none"> • Remove the module mounted on the 65th slot or later slot. • Remove the module mounted on the slot whose number is greater than the number of slots specified at [Slots] in [Standard setting] of the base setting. • Remove the module mounted on the slot whose number of I/O points exceeds 4096 points. • Replace the last module with the one whose number of occupied points is within 4096. 		<p>Qn(H) QnPH QnPRH QnU</p>
	<p>[SP.UNIT LAY ERR.]</p> <ul style="list-style-type: none"> • A module is mounted on after the 25th slot (on after the 17th slot for the Q00UJ). • A module is mounted on the slot whose number is later than the one set in the "Base setting" on the I/O assignment tab of PLC parameter in GX Developer. • A module is mounted on the slot for which I/O points greater than 1024 (greater than 256 for the Q00UJ) is assigned. • A module is mounted on the slot for which I/O points is assigned from less than 1024 to greater than 1024 (from less than 256 to greater than 256 for the Q00UJ). <p>■Collateral information</p> <ul style="list-style-type: none"> • Common information: - • Individual information: - <p>■Diagnostic timing</p> <ul style="list-style-type: none"> • At power-on/At reset 	<ul style="list-style-type: none"> • Remove the module mounted on after the 25th (on after the 17th slot for the Q00UJ). • Remove the module mounted on the slot whose number is later than the one set in the "Base setting" on the I/O assignment tab of PLC parameter in GX Developer. • Remove the module mounted on the slot for which I/O points greater than 1024 (greater than 256 for the Q00UJ) is assigned. • Replace the last module with the one whose number of occupied points is within 1024 (within 256 for the Q00UJ). 	<p>RUN: Off ERR.:Flashing CPU Status:Stop</p>	<p>Q00UJ/Q00U/Q01 U</p>
	<p>[SP.UNIT LAY ERR.]</p> <ul style="list-style-type: none"> • A module is mounted on the 37th slot or later slot. • A module is mounted on the slot whose number is greater than the number of slots specified at [Slots] in [Standard setting] of the base setting. • A module is mounted on the slot whose number of I/O points exceeds 2048 points. • A module is mounted on the slot whose number of I/O points strides 2048 points. <p>■Collateral information</p> <ul style="list-style-type: none"> • Common information: - • Individual information: - <p>■Diagnostic timing</p> <ul style="list-style-type: none"> • At power-on/At reset 	<ul style="list-style-type: none"> • Remove the module mounted on the 37th slot or later slot. • Remove the module mounted on the slot whose number is greater than the number of slots specified at [Slots] in [Standard setting] of the base setting. • Remove the module mounted on the slot whose number of I/O points exceeds 2048 points. • Replace the last module with the one whose number of occupied points is within 2048. 		<p>Q02UCPU</p>

Error code	Error and cause	Corrective action	LED status, CPU status	Corresponding CPU
2124	<p>[SP.UNIT LAY ERR.]</p> <ul style="list-style-type: none"> • A module is mounted on the 25th slot or later slot. (The 17th slot or later slot for the Q00J.) • A module is mounted on the slot whose number is greater than the number of slots specified at [Slots] in [Standard setting] of the base setting. • A module is mounted on the slot whose number of I/O points exceeds 1024 points. (256 points for the Q00J.) • A module is mounted on the slot whose number of I/O points strides 1024 points. (256 points for the Q00J.) <p>■Collateral information</p> <ul style="list-style-type: none"> • Common information: - • Individual information: - <p>■Diagnostic timing</p> <ul style="list-style-type: none"> • At power-on/At reset 	<ul style="list-style-type: none"> • Remove the module mounted on the 25th slot or later slot. (The 17th slot or later slot for the Q00J.) • Remove the module mounted on the slot whose number is greater than the number of slots specified at [Slots] in [Standard setting] of the base setting. • Remove the module mounted on the slot whose number of I/O points exceeds 1024 points (greater than or equal to 256 points for the Q00J.) • Replace the last module with the one whose number of occupied points is within 1024 (within 256 for the Q00J). 	RUN: Off ERR.:Flashing CPU Status:Stop	Q00J/Q00/Q01
	<p>[SP.UNIT LAY ERR.]</p> <ul style="list-style-type: none"> • The number of connectable modules has exceeded 10. • A module is installed exceeding the I/O points of 4096. • A module is installed crossing the I/O points of 4096. <p>■Collateral information</p> <ul style="list-style-type: none"> • Common information: - • Individual information: - <p>■Diagnostic timing</p> <ul style="list-style-type: none"> • At power-on/At reset 	<ul style="list-style-type: none"> • Reduce the number of connectable modules to 10 or less. • Remove the module whose number of points exceeds 4096 points. • Replace the last module with the one whose number of occupied points is within 4096. • Reset the CPU module and run it again. If the same error code is displayed again, the cause is a hardware failure of the CPU module, I/O module, intelligent function module, END cover, branch module, or extension module. Please consult your local Mitsubishi representative. 		L26CPU-BT L26CPU-PBT
	<p>[SP.UNIT LAY ERR.]</p> <ul style="list-style-type: none"> • The number of connectable modules has exceeded 40. • A module is installed exceeding the I/O points of 4096. • A module is installed crossing the I/O points of 4096. <p>■Collateral information</p> <ul style="list-style-type: none"> • Common information: - • Individual information: - <p>■Diagnostic timing</p> <ul style="list-style-type: none"> • At power-on/At reset 	<ul style="list-style-type: none"> • Reduce the number of connectable modules to 40 or less. • Remove the module whose number of points exceeds 4096 points. • Replace the last module with the one whose number of occupied points is within 4096. • Reset the CPU module and run it again. If the same error code is displayed again, the cause is a hardware failure of the CPU module, I/O module, intelligent function module, END cover, branch module, or extension module. Please consult your local Mitsubishi representative. 		L06CPU L06CPU-P L26CPU L26CPU-P L26CPU-BT L26CPU-PBT
	<p>[SP.UNIT LAY ERR.]</p> <ul style="list-style-type: none"> • The number of connectable modules has exceeded 10. • A module is installed exceeding the I/O points of 1024. • A module is installed crossing the I/O points of 1024. <p>■Collateral information</p> <ul style="list-style-type: none"> • Common information: - • Individual information: - <p>■Diagnostic timing</p> <ul style="list-style-type: none"> • At power-on/At reset 	<ul style="list-style-type: none"> • Reduce the number of connectable modules to 10 or less. • Remove the module whose number of points exceeds 1024 points. • Replace the last module with the one whose number of occupied points is within 1024. • Reset the CPU module and run it again. If the same error code is displayed again, the cause is a hardware failure of the CPU module, I/O module, intelligent function module, END cover, branch module, or extension module. Please consult your local Mitsubishi representative. 		L02CPU L02CPU-P

A

 Appendix 1 Error Codes
 Appendix 1.4 List of error codes (2000 to 2999)

Error code	Error and cause	Corrective action	LED status, CPU status	Corresponding CPU
2124	<p>[SP.UNIT LAY ERR.]</p> <ul style="list-style-type: none"> The number of connectable modules has exceeded 30. A module is installed exceeding the I/O points of 1024. A module is installed crossing the I/O points of 1024. <p>■Collateral information</p> <ul style="list-style-type: none"> Common information: - Individual information: - <p>■Diagnostic timing</p> <ul style="list-style-type: none"> At power-on/At reset 	<ul style="list-style-type: none"> Reduce the number of connectable modules to 30 or less. Remove the module whose number of points exceeds 1024 points. Replace the last module with the one whose number of occupied points is within 1024. Reset the CPU module and run it again. If the same error code is displayed again, the cause is a hardware failure of the CPU module, I/O module, intelligent function module, END cover, branch module, or extension module. Please consult your local Mitsubishi representative. 	<p>RUN: Off ERR.:Flashing</p> <p>CPU Status:Stop</p>	<p>L02SCPU L02SCPU-P L02CPU L02CPU-P</p>
2125	<p>[SP.UNIT LAY ERR.]</p> <ul style="list-style-type: none"> A module which the QCPU cannot recognize has been installed. There was no response from the intelligent function module/special function module. <p>■Collateral information</p> <ul style="list-style-type: none"> Common information: Module No. (Slot No.) Individual information: - <p>■Diagnostic timing</p> <ul style="list-style-type: none"> At power-on/At reset 	<ul style="list-style-type: none"> Install a usable module. The intelligent function module/special function module is experiencing a hardware fault. Please consult your local Mitsubishi representative. 	<p>RUN: Off ERR.:Flashing</p>	<p>QCPU</p>
	<p>[SP.UNIT LAY ERR.]</p> <ul style="list-style-type: none"> A module which the LCPU cannot recognize has been connected. There was no response from the intelligent function module. <p>■Collateral information</p> <ul style="list-style-type: none"> Common information: Module No. (Slot No.) Individual information: - <p>■Diagnostic timing</p> <ul style="list-style-type: none"> At power-on/At reset 	<ul style="list-style-type: none"> Connect an applicable module. Reset the CPU module and run it again. If the same error code is displayed again, the cause is a hardware failure of the CPU module, I/O module, intelligent function module, END cover, branch module, or extension module. Please consult your local Mitsubishi representative. 	<p>CPU Status:Stop</p>	<p>LCPU</p>
2126	<p>[SP.UNIT LAY ERR.]</p> <p>The CPU module configuration in the multiple CPU system is either of the following.</p> <ul style="list-style-type: none"> There are empty slots between the QCPU and QCPU/motion controller. A module other than the High Performance model QCPU/Process CPU (including the motion controller) is mounted on the left-hand side of the High Performance model QCPU/Process CPU. <p>■Collateral information</p> <ul style="list-style-type: none"> Common information: Module No. (Slot No.) Individual information: - <p>■Diagnostic timing</p> <ul style="list-style-type: none"> At power-on/At reset 	<ul style="list-style-type: none"> Mount modules on the available slots so that the empty slots will be located on the right-hand side of the CPU module. Remove the modules mounted on the left of the High Performance model QCPU or Process CPU. Mount a High Performance model QCPU or Process CPU on those slots. Mount the motion CPU on the right-hand side of the High Performance model QCPU/Process CPU. 	<p>RUN: Off ERR.:Flashing</p> <p>CPU Status:Stop</p>	<p>Qn(H) QnPH</p>
2128	<p>[SP.UNIT LAY ERR.]</p> <p>The unusable module is mounted on the extension base unit in the redundant system.</p> <p>■Collateral information</p> <ul style="list-style-type: none"> Common information: Module No. (Slot No.) Individual information: - <p>■Diagnostic timing</p> <ul style="list-style-type: none"> At power-on/At reset 	<p>Remove the unusable module from the extension base unit.</p>	<p>RUN: Off ERR.:Flashing</p> <p>CPU Status:Stop</p>	<p>QnPRH</p>
2129	<p>[SP.UNIT LAY ERR.]</p> <p>An A/QnA series module that cannot be used is mounted.</p> <p>■Collateral information</p> <ul style="list-style-type: none"> Common information: Module No. (Slot No.) Individual information: - <p>■Diagnostic timing</p> <ul style="list-style-type: none"> At power-on/At reset 	<p>Remove the A/QnA series module that cannot be used.</p>	<p>RUN: Off ERR.:Flashing</p> <p>CPU Status:Stop</p>	<p>QnU (except the QnUDV and QnUDPV)</p>

Error code	Error and cause	Corrective action	LED status, CPU status	Corresponding CPU
2150	<p>[SP. UNIT VER. ERR.] In a multiple CPU system, the control CPU of the intelligent function module incompatible with the multiple CPU system is set to other than CPU No.1.</p> <p>■Collateral information</p> <ul style="list-style-type: none"> • Common information: Module No. (Slot No.) • Individual information: - <p>■Diagnostic timing</p> <ul style="list-style-type: none"> • At power-on/At reset 	<ul style="list-style-type: none"> • Change the intelligent function module for the one compatible with the multiple CPU system (function version B). • Change the setting of the control CPU of the intelligent function module incompatible with the multiple CPU system to CPU No.1. 	RUN: Off ERR.:Flashing CPU Status:Stop	Q00J/Q00/Q01 QnPH QnU
2151	<p>[SP. UNIT VER. ERR.] Either of the following modules incompatible with the redundant system has been mounted in a redundant system.</p> <ul style="list-style-type: none"> • MELSECNET/H modules • Ethernet modules • CC-Link IE Controller Network modules <p>■Collateral information</p> <ul style="list-style-type: none"> • Common information: Module No. (Slot No.) • Individual information: - <p>■Diagnostic timing</p> <ul style="list-style-type: none"> • At power-on/At reset/At writing to programmable controller 	Ensure that the module supports the use in a redundant system when using any of the following modules. <ul style="list-style-type: none"> • MELSECNET/H modules • Ethernet modules • CC-Link IE Controller Network modules 	RUN: Off ERR.:Flashing CPU Status:Stop	QnPRH
2170	<p>[SYSTEM LAY ERR.] A module which the LCPU cannot recognize is connected.</p> <p>■Collateral information</p> <ul style="list-style-type: none"> • Common information: - • Individual information: - <p>■Diagnostic timing</p> <ul style="list-style-type: none"> • At power-on/At reset 	<ul style="list-style-type: none"> • Disconnect the module that cannot be recognized. • Reset the CPU module and run it again. If the same error code is displayed again, the cause is a hardware failure of the CPU module, I/O module, intelligent function module, END cover, branch module, or extension module. Please consult your local Mitsubishi representative. 	RUN: Off ERR.:Flashing CPU Status:Stop	LCPU
2171	<p>[SYSTEM LAY ERR.]</p> <ul style="list-style-type: none"> • The branch module is not connected on the right of the CPU module or the extension module. • The branch module is not connected on the left of the END cover. <p>■Collateral information</p> <ul style="list-style-type: none"> • Common information: Module No. (Slot No.) • Individual information: - <p>■Diagnostic timing</p> <ul style="list-style-type: none"> • At power-on/At reset 	<ul style="list-style-type: none"> • Connect the branch module on the right of the CPU module or the extension module. • Connect the branch module on the left of the END cover. 	RUN: Off ERR.:Flashing CPU Status:Stop	LCPU
2172	<p>[SYSTEM LAY ERR.] More than one branch module is connected on the same block.</p> <p>■Collateral information</p> <ul style="list-style-type: none"> • Common information: Module No. (Slot No.) • Individual information: - <p>■Diagnostic timing</p> <ul style="list-style-type: none"> • At power-on/At reset 	Disconnect branch modules other than the first one.	RUN: Off ERR.:Flashing CPU Status:Stop	LCPU
2173	<p>[SYSTEM LAY ERR.]</p> <ul style="list-style-type: none"> • The number of modules connected in the main block exceeds 10. • The number of modules connected in the extension blocks exceeds 11. <p>■Collateral information</p> <ul style="list-style-type: none"> • Common information: Module No. (Block No.) • Individual information: - <p>■Diagnostic timing</p> <ul style="list-style-type: none"> • At power-on/At reset 	<ul style="list-style-type: none"> • Reduce the number of modules connected in the main block to 10 or less. • Reduce the number of modules connected in the extension blocks to 11 or less. 	RUN: Off ERR.:Flashing CPU Status:Stop	LCPU

A

Appendix 1 Error Codes
Appendix 1.4 List of error codes (2000 to 2999)

Error code	Error and cause	Corrective action	LED status, CPU status	Corresponding CPU
2174	<p>[SYSTEM LAY ERR.] The number of extension blocks exceeds 3.</p> <p>■Collateral information</p> <ul style="list-style-type: none"> • Common information: Module No. (Block No.) • Individual information: - <p>■Diagnostic timing</p> <ul style="list-style-type: none"> • At power-on/At reset 	Reduce the number of extension blocks to 3 or less.	RUN: Off ERR.:Flashing	L06CPU L06CPU-P L26CPU L26CPU-P L26CPU-BT L26CPU-PBT
	<p>[SYSTEM LAY ERR.] The number of extension blocks exceeds 2.</p> <p>■Collateral information</p> <ul style="list-style-type: none"> • Common information: Module No. (Block No.) • Individual information: - <p>■Diagnostic timing</p> <ul style="list-style-type: none"> • At power-on/At reset 	Reduce the number of extension blocks to 2 or less.	CPU Status:Stop	L02SCPU L02SCPU-P L02CPU L02CPU-P
2175	<p>[SYSTEM LAY ERR.] An END cover that does not support an extension system is connected in an extension system.</p> <p>■Collateral information</p> <ul style="list-style-type: none"> • Common information: Module No. (Block No.) • Individual information: - <p>■Diagnostic timing</p> <ul style="list-style-type: none"> • At power-on/At reset 	Replace the END cover with one that supports an extension system.	RUN: Off ERR.:Flashing CPU Status:Stop	LCPU
2176	<p>[SYSTEM LAY ERR.] An extension cable is connected to the branch module during operation.</p> <p>■Collateral information</p> <ul style="list-style-type: none"> • Common information: Module No. (Block No.) • Individual information: - <p>■Diagnostic timing</p> <ul style="list-style-type: none"> • Always 	Disconnect the extension cable connected during operation.	RUN: Off ERR.:Flashing CPU Status:Stop	LCPU
2200	<p>[MISSING PARA.] There is no parameter file in the drive specified as valid parameter drive by the DIP switches.</p> <p>■Collateral information</p> <ul style="list-style-type: none"> • Common information: Drive Name • Individual information: - <p>■Diagnostic timing</p> <ul style="list-style-type: none"> • At power-on/At reset/STOP → RUN 	<ul style="list-style-type: none"> • Check and correct the valid parameter drive settings made by the DIP switches. • Set the parameter file to the drive specified as valid parameter drive by the DIP switches. 		Qn(H) QnPH QnPRH
	<p>[MISSING PARA.] There is no parameter file at the program memory.</p> <p>■Collateral information</p> <ul style="list-style-type: none"> • Common information: Drive Name • Individual information: - <p>■Diagnostic timing</p> <ul style="list-style-type: none"> • At power-on/At reset/STOP → RUN 	Set the parameter file to the program memory.		Q00J/Q00/Q01
	<p>[MISSING PARA.] Parameter file does not exist in all drives where parameters will be valid.</p> <p>■Collateral information</p> <ul style="list-style-type: none"> • Common information: Drive Name • Individual information: - <p>■Diagnostic timing</p> <ul style="list-style-type: none"> • At power-on/At reset/STOP → RUN 	Set a parameter file in a drive to be valid.	RUN: Off ERR.:Flashing CPU Status:Stop	QnU
	<p>[MISSING PARA.]</p> <ul style="list-style-type: none"> • When using a parameter file in an SD memory card, the SD memory card is being disabled by SM606 (SD memory card forced disable instruction). • When using a parameter file in an SD memory card, the SD memory card cannot be used because the CPU module is locked. <p>■Collateral information</p> <ul style="list-style-type: none"> • Common information: Drive Name • Individual information: - <p>■Diagnostic timing</p> <ul style="list-style-type: none"> • At power-on/At reset/At writing to programmable controller 	<ul style="list-style-type: none"> • Cancel the SD memory card forced disable instruction. • Set a parameter file in a drive other than an SD memory card. 		QnUDV QnUDPV

Error code	Error and cause	Corrective action	LED status, CPU status	Corresponding CPU
2200	<p>[MISSING PARA.]</p> <ul style="list-style-type: none"> • There is no parameter file in any drive. • When using a parameter file in an SD memory card, the SD memory card is being disabled by SM606 (SD memory card forced disable instruction). <p>■Collateral information</p> <ul style="list-style-type: none"> • Common information: Drive Name • Individual information: - <p>■Diagnostic timing</p> <ul style="list-style-type: none"> • At power-on/At reset/STOP → RUN 	<ul style="list-style-type: none"> • Set a parameter file in a drive to be valid. • Cancel the SD memory card forced disable instruction. 	<p>RUN: Off ERR.:Flashing</p> <p>CPU Status:Stop</p>	LCPU
2210	<p>[BOOT ERROR]</p> <p>The contents of the boot file are incorrect.</p> <p>■Collateral information</p> <ul style="list-style-type: none"> • Common information: Drive Name • Individual information: - <p>■Diagnostic timing</p> <ul style="list-style-type: none"> • At power-on/At reset 	Check the boot setting.	<p>RUN: Off ERR.:Flashing</p> <p>CPU Status:Stop</p>	Q00J/Q00/Q01 Qn(H) QnPH QnPRH QnU LCPU
2211	<p>[BOOT ERROR]</p> <p>File formatting is failed at a boot.</p> <p>■Collateral information</p> <ul style="list-style-type: none"> • Common information: Drive Name • Individual information: - <p>■Diagnostic timing</p> <ul style="list-style-type: none"> • At power-on/At reset 	<ul style="list-style-type: none"> • Reboot. • The cause is a hardware failure of the CPU module. Please consult your local Mitsubishi representative. 	<p>RUN: Off ERR.:Flashing</p> <p>CPU Status:Stop</p>	Qn(H) QnPRH QnU LCPU
2213	<p>[BOOT ERROR]</p> <p>The file was booted from the SD memory card to the program memory or standard ROM but it was not booted to the CPU module due to either of the following reasons.</p> <ul style="list-style-type: none"> • The passwords for the password 32 do not match between transfer source file and destination file. • The password 32 is not configured for the transfer source file while it is configured for the destination file. <p>■Collateral information</p> <ul style="list-style-type: none"> • Common information: File name/Drive name • Individual information: - <p>■Diagnostic timing</p> <ul style="list-style-type: none"> • At power-on/At reset 	<ul style="list-style-type: none"> • Check the setting of the password 32 for the transfer source file and destination files. • Delete the boot setting from the parameter file of the SD memory card. 	<p>RUN: Off ERR.:Flashing</p> <p>CPU Status:Stop</p>	QnUDV QnUDPV LCPU
2214	<p>[BOOT ERROR]</p> <p>The CPU module is locked.</p> <p>■Collateral information</p> <ul style="list-style-type: none"> • Common information: - • Individual information: - <p>■Diagnostic timing</p> <ul style="list-style-type: none"> • At power-on/At reset 	When using the CPU module change function with SD memory card, do not lock the CPU module.	<p>RUN: Off ERR.:Flashing</p> <p>CPU Status:Stop</p>	QnUDV QnUDPV
2220	<p>[RESTORE ERROR]</p> <p>The device information (number of points) backed up by the device data backup function is different from that configured in "PLC Parameter". Perform a restoration per power-on and reset until the number of device points is identical to the value set in "PLC Parameter" or until the backup data are deleted.</p> <p>■Collateral information</p> <ul style="list-style-type: none"> • Common information: File name/Drive name • Individual information: - <p>■Diagnostic timing</p> <ul style="list-style-type: none"> • At power-on/At reset 	<ul style="list-style-type: none"> • Set the number of device points at the time of backup to be identical to the device point value set in "PLC Parameter". Then turn off and on or reset the power supply. • Delete the backed up data, turn the power supply from off to on, and reset. 	<p>RUN: Off ERR.:Flashing</p> <p>CPU Status:Stop</p>	QnU LCPU

A

Error code	Error and cause	Corrective action	LED status, CPU status	Corresponding CPU
2221	<p>[RESTORE ERROR] The device information backed up by the device data backup function is incomplete. (The power may have been off or the CPU module may have been reset during performing the backup.) Do not return the data when this error occurs. Also, delete the incomplete device information at the time of this error occurrence.</p> <p>■Collateral information</p> <ul style="list-style-type: none"> • Common information: File name/Drive name • Individual information: - <p>■Diagnostic timing</p> <ul style="list-style-type: none"> • At power-on/At reset 	Reset the CPU module and run it again.	<p>RUN: Off ERR.:Flashing</p> <p>CPU Status:Stop</p>	QnU LCPU
2225	<p>[RESTORE ERROR] The model name of the restoration destination CPU module is different from the one of the backup source CPU module.</p> <p>■Collateral information</p> <ul style="list-style-type: none"> • Common information: - • Individual information: - <p>■Diagnostic timing</p> <ul style="list-style-type: none"> • At power-on/At reset 	Execute a restore for the CPU module whose name is same as the backup source CPU module.	<p>RUN: Off ERR.:Flashing</p> <p>CPU Status:Stop</p>	QnU LCPU
2226	<p>[RESTORE ERROR]</p> <ul style="list-style-type: none"> • The backup data file is corrupted. (The backup data file does not match the check code.) • Reading the backup data from the SRAM card did not end successfully. • Since the write protect switch of the SRAM card is set to on (write inhibited), the checked "Restore for the first time only" setting cannot be performed. <p>■Collateral information</p> <ul style="list-style-type: none"> • Common information: - • Individual information: - <p>■Diagnostic timing</p> <ul style="list-style-type: none"> • At power-on/At reset 	<ul style="list-style-type: none"> • Since the backup data may have been corrupted, execute a restoration using other backup data. • Set the write protect switch of the SRAM card to off (write enabled). 	<p>RUN: Off ERR.:Flashing</p>	QnU (except the QnUDV and QnUDPV)
	<p>[RESTORE ERROR]</p> <ul style="list-style-type: none"> • The backup data file is corrupted. (The backup data file does not match the check code.) • Reading the backup data from the SD memory card did not end successfully. • The "Restore for the first time only" setting cannot be enabled because the write protect switch of the SD memory card has been set to on (write-prohibited). <p>■Collateral information</p> <ul style="list-style-type: none"> • Common information: - • Individual information: - <p>■Diagnostic timing</p> <ul style="list-style-type: none"> • At power-on/At reset 	<ul style="list-style-type: none"> • Since the backup data may have been corrupted, execute a restoration using other backup data. • Set the write protect switch of the SD memory card to off (write-enabled). 	CPU Status:Stop	QnUDV QnUDPV LCPU
2227	<p>[RESTORE ERROR] Writing the backup data to the restoration destination drive did not end successfully.</p> <p>■Collateral information</p> <ul style="list-style-type: none"> • Common information: File name/Drive name • Individual information: - <p>■Diagnostic timing</p> <ul style="list-style-type: none"> • At power-on/At reset 	The possible cause is a failure of the CPU module. Execute data restoration to another CPU module.	<p>RUN: Off ERR.:Flashing</p> <p>CPU Status:Stop</p>	QnU LCPU
2228	<p>[RESTORE ERROR] Standard RAM capacity of the restoration-target CPU module is insufficient.</p> <p>■Collateral information</p> <ul style="list-style-type: none"> • Common information: - • Individual information: - <p>■Diagnostic timing</p> <ul style="list-style-type: none"> • At power-on/At reset 	<ul style="list-style-type: none"> • Install an extended SRAM cassette. • Replace the extended SRAM cassette with the one with larger capacity. 	<p>RUN: Off ERR.:Flashing</p> <p>CPU Status:Stop</p>	QnUDV QnUDPV

Error code	Error and cause	Corrective action	LED status, CPU status	Corresponding CPU
2229	<p>[RESTORE ERROR] The CPU module is locked.</p> <p>■Collateral information</p> <ul style="list-style-type: none"> • Common information: - • Individual information: - <p>■Diagnostic timing</p> <ul style="list-style-type: none"> • At power-on/At reset 	When using the CPU module change function with memory card or the CPU module data backup/restoration function, do not lock the CPU module.	RUN: Off ERR.:Flashing CPU Status:Stop	QnUDV QnUDPV
2230	<p>[RESTORE ERROR]</p> <ul style="list-style-type: none"> • The system file does not exist in the backup data to be restored. • File(s) in the system file information does not exist in the folder of the backed up data. <p>■Collateral information</p> <ul style="list-style-type: none"> • Common information: - • Individual information: - <p>■Diagnostic timing</p> <ul style="list-style-type: none"> • At power-on/At reset 	Restore with any other backup data because the backup data may have been corrupted.	RUN: Off ERR.:Flashing CPU Status:Stop	QnUDV QnUDPV
2231	<p>[RESTORE ERROR] The data which is same as the one set the file password 32 is restored to the restoration destination CPU module.</p> <p>■Collateral information</p> <ul style="list-style-type: none"> • Common information: - • Individual information: - <p>■Diagnostic timing</p> <ul style="list-style-type: none"> • At power-on/At reset 	To use the CPU module data backup/restoration function, delete the file password 32 setting and then execute the function.	RUN: Off ERR.:Flashing CPU Status:Stop	QnUDV QnUDPV
2232	<p>[RESTORE ERROR]</p> <ul style="list-style-type: none"> • The folder with the setting values of SD919 to SD921 (Restoration target folder) does not exist in the SD memory card. • The setting value of SD917 (Restoration target data setting) is out of range. <p>■Collateral information</p> <ul style="list-style-type: none"> • Common information: - • Individual information: - <p>■Diagnostic timing</p> <ul style="list-style-type: none"> • At power-on/At reset 	<ul style="list-style-type: none"> • Check and correct the setting value of SD919 to SD921 (Restoration target folder), and then execute the processing again. • Check and correct the setting value of SD917 (Restoration target data setting) and execute the processing again. 	RUN: Off ERR.:Flashing CPU Status:Stop	QnUDV QnUDPV
2233	<p>[RESTORE ERROR] Automatic restoration is executed while no SD memory card is inserted.</p> <p>■Collateral information</p> <ul style="list-style-type: none"> • Common information: - • Individual information: - <p>■Diagnostic timing</p> <ul style="list-style-type: none"> • At power-on/At reset 	<ul style="list-style-type: none"> • Insert or re-insert the SD memory card and then execute the processing again. • Check and correct the setting value of SD918 (Restoration function setting) and execute the processing again. 	RUN: Off ERR.:Flashing CPU Status:Stop	QnUDV QnUDPV
2234	<p>[RESTORE ERROR]</p> <ul style="list-style-type: none"> • Automatic restoration is executed while the memory size exceeds the maximum capacity of the CPU module. • Automatic restoration is executed while the number of files exceeds the number of storable files of the CPU module. <p>■Collateral information</p> <ul style="list-style-type: none"> • Common information: - • Individual information: - <p>■Diagnostic timing</p> <ul style="list-style-type: none"> • At power-on/At reset 	<ul style="list-style-type: none"> • Check the size of restoration target data so that it will not be larger than the memory capacity, and execute the processing again. • Check the number of files so that it will not exceed the number of storable files, and execute the processing again. 	RUN: Off ERR.:Flashing CPU Status:Stop	QnUDV QnUDPV
2235	<p>[RESTORE ERROR] The CPU module status (such as programs, parameters, and file structure) of restoration destination is different from the status at the time of backup.</p> <p>■Collateral information</p> <ul style="list-style-type: none"> • Common information: - • Individual information: - <p>■Diagnostic timing</p> <ul style="list-style-type: none"> • At power-on/At reset 	<ul style="list-style-type: none"> • Restore the data with the CPU module status at the time of backup. • Set SD917 (Restoration target data setting) to all the target data of backup and restoration and then restore the data. 	RUN: Off ERR.:Flashing CPU Status:Stop	QnUDV QnUDPV

A

Error code	Error and cause	Corrective action	LED status, CPU status	Corresponding CPU
2240	<p>[LOAD ERROR] The model of the load-destination CPU module is different from that of the load-source CPU module.</p> <p>■Collateral information</p> <ul style="list-style-type: none"> • Common information: - • Individual information: - <p>■Diagnostic timing</p> <ul style="list-style-type: none"> • At power-on/At reset 	Execute auto loading using the same model as that of the load-source CPU module.	RUN: Off ERR.:Flashing CPU Status:Stop	LCPU
2241	<p>[LOAD ERROR] Reading of batch-save/load target data from the SD memory card failed.</p> <p>■Collateral information</p> <ul style="list-style-type: none"> • Common information: - • Individual information: - <p>■Diagnostic timing</p> <ul style="list-style-type: none"> • At power-on/At reset 	Execute auto loading using any other data because the batch-save/load target data may be corrupted.	RUN: Off ERR.:Flashing CPU Status:Stop	LCPU
2242	<p>[LOAD ERROR] A system file (SVLDINF.QSL) does not exist in the load-target folder.</p> <p>■Collateral information</p> <ul style="list-style-type: none"> • Common information: - • Individual information: - <p>■Diagnostic timing</p> <ul style="list-style-type: none"> • At power-on/At reset 	Specify a folder where a system file (SVLDINF.QSL) is stored, and execute auto loading.	RUN: Off ERR.:Flashing CPU Status:Stop	LCPU
2243	<p>[LOAD ERROR] The file password 32 of the load-destination file is different from that of the load-source file. Or, a file password 32 is not set to the load-source file while the load-destination file has a password.</p> <p>■Collateral information</p> <ul style="list-style-type: none"> • Common information: - • Individual information: - <p>■Diagnostic timing</p> <ul style="list-style-type: none"> • At power-on/At reset 	Set the same file password 32 to the load-destination file and the load-source file, and execute auto loading.	RUN: Off ERR.:Flashing CPU Status:Stop	LCPU
2244	<p>[LOAD ERROR]</p> <ul style="list-style-type: none"> • When the folder number (1 to 99) is set in SD909 (Auto loading target folder number), a folder with the corresponding number does not exist in the SD memory card. • The folder number out of the setting range (other than 0 to 99) is set in SD909 (Auto loading target folder number). <p>■Collateral information</p> <ul style="list-style-type: none"> • Common information: - • Individual information: - <p>■Diagnostic timing</p> <ul style="list-style-type: none"> • At power-on/At reset 	<ul style="list-style-type: none"> • Check that a folder with the number corresponding to the one set in SD909 exists in the SD memory card, and execute auto loading. • Set the number in SD909 within the setting range, and execute auto loading. 	RUN: Off ERR.:Flashing CPU Status:Stop	LCPU
2245	<p>[LOAD ERROR] Loading data to the load-destination drive has failed.</p> <p>■Collateral information</p> <ul style="list-style-type: none"> • Common information: - • Individual information: - <p>■Diagnostic timing</p> <ul style="list-style-type: none"> • At power-on/At reset 	The possible cause is a failure of the CPU module. Execute auto loading to another CPU module.	RUN: Off ERR.:Flashing CPU Status:Stop	LCPU
2246	<p>[LOAD ERROR]</p> <ul style="list-style-type: none"> • When the folder number (1 to 99) is set in SD909 (Auto loading target folder number), an SD memory card is not inserted. • When the folder number (1 to 99) is set in SD909 (Auto loading target folder number), the SD memory card access control switch of the CPU module is not slid down. <p>■Collateral information</p> <ul style="list-style-type: none"> • Common information: - • Individual information: - <p>■Diagnostic timing</p> <ul style="list-style-type: none"> • At power-on/At reset 	<ul style="list-style-type: none"> • Insert an SD memory card, and execute auto loading. • Slide up the SD memory card access control switch, and execute auto loading. • Check and correct the setting value of SD909 (Auto loading target folder number) and execute the processing again. 	RUN: Off ERR.:Flashing CPU Status:Stop	LCPU

Error code	Error and cause	Corrective action	LED status, CPU status	Corresponding CPU
2247	<p>[LOAD ERROR]</p> <ul style="list-style-type: none"> • After auto loading, the memory size exceeds the capacity of the CPU module or SD memory card. • After auto loading, the number of stored files exceeds the number of files that can be stored in the CPU module or SD memory card. <p>■Collateral information</p> <ul style="list-style-type: none"> • Common information: - • Individual information: - <p>■Diagnostic timing</p> <ul style="list-style-type: none"> • At power-on/At reset 	<ul style="list-style-type: none"> • Check the size of load-target data so that it will not be larger than the memory capacity, and execute auto loading. • Check the number of files so that it will not exceed the number of storable files, and execute auto loading. 	<p>RUN: Off ERR.:Flashing</p> <p>CPU Status:Stop</p>	LCPU
2248	<p>[LOAD ERROR]</p> <p>Auto loading was executed to a write-protected SD memory card.</p> <p>■Collateral information</p> <ul style="list-style-type: none"> • Common information: - • Individual information: - <p>■Diagnostic timing</p> <ul style="list-style-type: none"> • At power-on/At reset 	Cancel the write protection and execute the auto loading.	<p>RUN: Off ERR.:Flashing</p> <p>CPU Status:Stop</p>	LCPU
2290	<p>[INIT.TIME OVER]</p> <p>Since an initial processing takes time, the host CPU module cannot respond to communication requests from other CPU modules in initial communications at a system configuration of a multiple CPU system and other CPU modules cannot be started up.</p> <p>■Collateral information</p> <ul style="list-style-type: none"> • Common information: - • Individual information: - <p>■Diagnostic timing</p> <ul style="list-style-type: none"> • At power-on/At reset 	<p>Shorten the initial processing time.</p> <ul style="list-style-type: none"> • Check the restoration setting or reconsider the number of files to be restored if the automatic restoration function of CPU module is executed. 	<p>RUN: Off ERR.:Flashing</p> <p>CPU Status:Stop</p>	QnUDV QnUDPV
2300	<p>[ICM. OPE. ERROR]</p> <ul style="list-style-type: none"> • A memory card was removed without turning on SM609 (Memory card remove/insert enable flag). • A memory card was removed while SM600 (Memory card usable flags) is on. <p>■Collateral information</p> <ul style="list-style-type: none"> • Common information: Drive Name • Individual information: - <p>■Diagnostic timing</p> <ul style="list-style-type: none"> • When memory card is inserted or removed 	<ul style="list-style-type: none"> • Turn on SM609 (Memory card remove/insert enable flag) and then remove the memory card. • Check that SM600 (Memory card usable flags) is off and then remove the memory card. 	<p>RUN: Off/On ERR.:Flashing/On</p> <p>CPU Status: Stop/Continue*1</p>	Qn(H) QnPH QnPRH QnU (except the QnUDV and QnUDPV)
	<p>[ICM. OPE. ERROR]</p> <p>An SD memory card was removed without the card being disabled.</p> <p>■Collateral information</p> <ul style="list-style-type: none"> • Common information: Drive Name • Individual information: - <p>■Diagnostic timing</p> <ul style="list-style-type: none"> • When SD memory card is inserted or removed 	Disable the card, and then remove it.		QnUDV QnUDPV LCPU

A

Appendix 1 Error Codes
Appendix 1.4 List of error codes (2000 to 2999)

Error code	Error and cause	Corrective action	LED status, CPU status	Corresponding CPU
2301	<p>[ICM. OPE. ERROR]</p> <ul style="list-style-type: none"> The memory card or SD memory card has not been formatted. The formatting status of the memory card or SD memory card is incorrect. <p>■Collateral information</p> <ul style="list-style-type: none"> Common information: Drive Name Individual information: - <p>■Diagnostic timing</p> <ul style="list-style-type: none"> When memory card is inserted or removed 	<ul style="list-style-type: none"> Format the memory card or SD memory card. Reformat the memory card or SD memory card. <p>If the memory card is a flash card, write data to the flash card in any of the following methods.</p> <ol style="list-style-type: none"> Write program memory to the ROM. Write data to the CPU module (flash ROM). Back up data to the flash card. Write image data to an external device, such as a memory card writer. <p>If the same error code is displayed again, the cause is a failure of the memory card or SD memory card. Please consult your local Mitsubishi representative.</p>		<p>Qn(H) QnPH QnPRH QnU LCPU</p>
	<p>[ICM. OPE. ERROR]</p> <ul style="list-style-type: none"> Formatting an SD memory card is failed. SD memory card failure is detected. <p>■Collateral information</p> <ul style="list-style-type: none"> Common information: Drive Name Individual information: - <p>■Diagnostic timing</p> <ul style="list-style-type: none"> When memory card is inserted or removed 	<ul style="list-style-type: none"> Format the SD memory card. Reformat the SD memory card. Remove the SD memory card and insert it again. Replace the SD memory card. 	<p>RUN: Off/On ERR.:Flashing/On</p> <p>CPU Status: Stop/Continue*¹</p>	<p>QnUDV QnUDPV</p>
	<p>[ICM. OPE. ERROR]</p> <p>The QCPU file does not exist in the Flash card.</p> <p>■Collateral information</p> <ul style="list-style-type: none"> Common information: Drive Name Individual information: - <p>■Diagnostic timing</p> <ul style="list-style-type: none"> When memory card is inserted or removed 	<p>Write the QCPU file the Flash card</p>		<p>Qn(H) QnPH QnPRH QnU</p>
	<p>[ICM. OPE. ERROR]</p> <ul style="list-style-type: none"> SRAM card failure is detected. (It occurs when automatic format is not set.) Writing parameters was performed during setting file registers. <p>■Collateral information</p> <ul style="list-style-type: none"> Common information: Drive Name Individual information: - <p>■Diagnostic timing</p> <ul style="list-style-type: none"> When memory card is inserted or removed/When writing to the memory card 	<ul style="list-style-type: none"> Format SRAM card after changing battery of SRAM card. Before operation, set the parameter for the file register to "Not available" and write it to the CPU module. 		<p>QnU (except the QnUDV and QnUDPV)</p>
2302	<p>[ICM. OPE. ERROR]</p> <p>A memory card or SD memory card that cannot be used with a CPU module has been inserted.</p> <p>■Collateral information</p> <ul style="list-style-type: none"> Common information: Drive Name Individual information: - <p>■Diagnostic timing</p> <ul style="list-style-type: none"> When memory card is inserted or removed 	<ul style="list-style-type: none"> Format the memory card or SD memory card. Reformat the memory card or SD memory card. Check the memory card or SD memory card. 	<p>RUN: Off/On ERR.:Flashing/On</p> <p>CPU Status: Stop/Continue*¹</p>	<p>Qn(H) QnPH QnPRH QnU LCPU</p>
2350	<p>[CASSETTE ERROR]</p> <p>An extended SRAM cassette is inserted or removed while the CPU module is powered on.</p> <p>■Collateral information</p> <ul style="list-style-type: none"> Common information: - Individual information: - <p>■Diagnostic timing</p> <ul style="list-style-type: none"> Always 	<ul style="list-style-type: none"> Do not insert or remove an extended SRAM cassette during operation. Check that the extended SRAM cassette is securely installed to the CPU module. If the same error code is displayed again, the cause is a failure of the extended SRAM cassette. Please consult your local Mitsubishi representative. 	<p>RUN: Off ERR.:Flashing</p> <p>CPU Status:Stop</p>	<p>QnUDV QnUDPV</p>

Error code	Error and cause	Corrective action	LED status, CPU status	Corresponding CPU
2351	<p>[CASSETTE ERROR] A failure was detected in the inserted extended SRAM cassette.</p> <p>■Collateral information</p> <ul style="list-style-type: none"> • Common information: - • Individual information: - <p>■Diagnostic timing</p> <ul style="list-style-type: none"> • Always 	<ul style="list-style-type: none"> • Check that the extended SRAM cassette is securely installed to the CPU module. • If the same error code is displayed again, the cause is a failure of the extended SRAM cassette. Please consult your local Mitsubishi representative. 	RUN: Off ERR.:Flashing CPU Status:Stop	QnUDV QnUDPV
2352	<p>[CASSETTE ERROR] An unsupported extended SRAM cassette is inserted.</p> <p>■Collateral information</p> <ul style="list-style-type: none"> • Common information: - • Individual information: - <p>■Diagnostic timing</p> <ul style="list-style-type: none"> • At power-on/At reset 	Replace the extended SRAM cassette with the one which is applicable for the QnUDVCPU and QnUDPVCPU.	RUN: Off ERR.:Flashing CPU Status:Stop	QnUDV QnUDPV
2400	<p>[FILE SET ERROR] Automatic write to the standard ROM was performed on the CPU module that is incompatible with automatic write to the standard ROM. (Memory card where automatic write to the standard ROM was selected in the boot file was fitted and the parameter enable drive was set to the memory card.)</p> <p>■Collateral information</p> <ul style="list-style-type: none"> • Common information: File name/Drive name • Individual information: - <p>■Diagnostic timing</p> <ul style="list-style-type: none"> • At power-on/At reset 	<ul style="list-style-type: none"> • Execute automatic write to the standard ROM on the CPU module which is compatible with automatic write to the standard ROM • Write parameters and programs to the standard ROM using the programming tool. • Change the memory card for the one where automatic write to the standard ROM has not been set, and perform boot operation from the memory card. 		Qn(H) QnPH QnPRH
	<p>[FILE SET ERROR] The file specified with a parameter does not exist.</p> <p>■Collateral information</p> <ul style="list-style-type: none"> • Common information: File name/Drive name • Individual information: Parameter number <p>■Diagnostic timing</p> <ul style="list-style-type: none"> • At power-on/At reset/At writing to programmable controller/STOP → RUN 	Read the individual information of the error using the programming tool to identify the numeric value (parameter No.). Check the drive name and file name of the parameter corresponding to the value, and correct it as necessary. Create the specified file and write it to the CPU module.	RUN: Off ERR.:Flashing CPU Status:Stop	QCPU (except the QnUDV and QnUDPV)
	<p>[FILE SET ERROR]</p> <ul style="list-style-type: none"> • The file specified with a parameter does not exist. • When using a file in an SD memory card, the SD memory card is being disabled by SM606 (SD memory card forced disable instruction). <p>■Collateral information</p> <ul style="list-style-type: none"> • Common information: File name/Drive name • Individual information: Parameter number <p>■Diagnostic timing</p> <ul style="list-style-type: none"> • At power-on/At reset/At writing to programmable controller/STOP → RUN 	<ul style="list-style-type: none"> • Read the individual information of the error using the programming tool to identify the numeric value (parameter No.). Check the drive name and file name of the parameter corresponding to the value, and correct it as necessary. Create the specified file and write it to the CPU module. • Cancel the SD memory card forced disable instruction. 		QnUDV QnUDPV LCPU

A

 Appendix 1 Error Codes
 Appendix 1.4 List of error codes (2000 to 2999)

Error code	Error and cause	Corrective action	LED status, CPU status	Corresponding CPU
2401	<p>[FILE SET ERROR] Program memory capacity was exceeded by performing boot operation or automatic write to the standard ROM.</p> <p>■Collateral information</p> <ul style="list-style-type: none"> • Common information: File name/Drive name • Individual information: Parameter number <p>■Diagnostic timing</p> <ul style="list-style-type: none"> • At power-on/At reset/At writing to programmable controller 	<ul style="list-style-type: none"> • Check and correct the parameters (boot setting). • Delete unnecessary files in the program memory. • Choose "Clear program memory" for boot in the parameter so that boot is started after the program memory is cleared. 	<p>RUN: Off ERR.:Flashing</p> <p>CPU Status:Stop</p>	<p>Qn(H) QnPH QnPRH</p>
	<p>[FILE SET ERROR] Program memory capacity was exceeded by performing boot operation.</p> <p>■Collateral information</p> <ul style="list-style-type: none"> • Common information: File name/Drive name • Individual information: Parameter number <p>■Diagnostic timing</p> <ul style="list-style-type: none"> • At power-on/At reset 	<ul style="list-style-type: none"> • Check and correct the parameters (boot setting). • Delete unnecessary files in the program memory. • Choose "Clear program memory" for boot in the parameter so that boot is started after the program memory is cleared. 		
	<p>[FILE SET ERROR] The file specified by parameters cannot be made.</p> <p>■Collateral information</p> <ul style="list-style-type: none"> • Common information: File name/Drive name • Individual information: Parameter number <p>■Diagnostic timing</p> <ul style="list-style-type: none"> • At power-on/At reset/At writing to programmable controller/STOP → RUN 	<ul style="list-style-type: none"> • Read the individual information of the error using the programming tool to identify the numeric value (parameter No.). Check the drive name, file name, and size of the parameter corresponding to the value, and correct it as necessary. • Format the drive. • Delete unnecessary files on the drive to increase free space. 		
	<p>[FILE SET ERROR]</p> <ul style="list-style-type: none"> • Although setting is made to use the device data storage file, there is no empty capacity required for creating the device data storage file in the standard ROM. • When the latch data backup function (to standard ROM) is used, there is no empty capacity required for storing backup data in standard ROM. (The parameter number "FFFF_H" is displayed for the individual information of the error.) <p>■Collateral information</p> <ul style="list-style-type: none"> • Common information: File name/Drive name • Individual information: Parameter number <p>■Diagnostic timing</p> <ul style="list-style-type: none"> • At power-on/At reset/At writing to programmable controller/STOP → RUN 	<p>Secure the empty capacity of the standard ROM.</p>		
	<p>[FILE SET ERROR]</p> <ul style="list-style-type: none"> • Standard RAM capacity is insufficient that error history of the module cannot be stored. • Standard RAM capacity is insufficient that the file register data cannot be stored. <p>■Collateral information</p> <ul style="list-style-type: none"> • Common information: File name/Drive name • Individual information: Parameter number <p>■Diagnostic timing</p> <ul style="list-style-type: none"> • At power-on/At reset/At writing to programmable controller/STOP → RUN 	<p>Secure sufficient space in the standard RAM.</p>		
2406	<p>[FILE SET ERROR] When the extended data register and extended link register are configured in the File Register Extended Setting in the Device tab of "PLC Parameter", the size of the file register file is smaller than that specified in the PLC File tab.</p> <p>■Collateral information</p> <ul style="list-style-type: none"> • Common information: File name/Drive name • Individual information: Parameter number <p>■Diagnostic timing</p> <ul style="list-style-type: none"> • STOP → RUN 	<ul style="list-style-type: none"> • Correct the size for the file register file in the PLC File tab of "PLC Parameter". • Correct the setting for the "File Register Extended Setting" in the Device tab of "PLC Parameter". 	<p>RUN: Off ERR.:Flashing</p> <p>CPU Status:Stop</p>	<p>QnU LCPU</p>

Error code	Error and cause	Corrective action	LED status, CPU status	Corresponding CPU
2410	<p>[FILE OPE. ERROR]</p> <ul style="list-style-type: none"> The specified program does not exist in the program memory. This error may occur when the ECALL, EFCALL, PSTOP, PSCAN, POFF or PLOW instruction is executed. The specified file does not exist. A required file is not set in the PLC File tab of "PLC Parameter". <p>■Collateral information</p> <ul style="list-style-type: none"> Common information: File name/Drive name Individual information: Program error location <p>■Diagnostic timing</p> <ul style="list-style-type: none"> When instruction executed 	<ul style="list-style-type: none"> Read individual information of the error using the programming tool to identify the numeric value (program error location). Check the error step corresponding to the value and correct it as necessary. Create the specified file and write it to the CPU module. If the specified file does not exist, write the file to the target memory. Or correct the file specification by a instruction. Set the required file in the PLC File tab of "PLC Parameter". 	<p>RUN: Off/On ERR.:Flashing/On</p> <p>CPU Status: Stop/Continue*1</p>	<p>Qn(H) QnPH QnPRH QnU LCPU</p>
2411	<p>[FILE OPE. ERROR]</p> <ul style="list-style-type: none"> The file cannot be specified by the program, such as comment file. The specified program exists in the program memory, but has not been registered in the program setting of "PLC Parameter". This error may occur when the ECALL, EFCALL, PSTOP, PSCAN, POFF or PLOW instruction is executed. <p>■Collateral information</p> <ul style="list-style-type: none"> Common information: File name/Drive name Individual information: Program error location <p>■Diagnostic timing</p> <ul style="list-style-type: none"> When instruction executed 	<p>Read individual information of the error using the programming tool to identify the numeric value (program error location). Check the error step corresponding to the value and correct it as necessary.</p>	<p>RUN: Off/On ERR.:Flashing/On</p> <p>CPU Status: Stop/Continue*1</p>	<p>Qn(H) QnPH QnPRH QnU LCPU</p>
2412	<p>[FILE OPE. ERROR]</p> <p>This SFC program file cannot be specified with the program.</p> <p>■Collateral information</p> <ul style="list-style-type: none"> Common information: File name/Drive name Individual information: Program error location <p>■Diagnostic timing</p> <ul style="list-style-type: none"> When instruction executed 	<p>Read individual information of the error using the programming tool to identify the numeric value (program error location). Check the error step corresponding to the value and correct it as necessary.</p>	<p>RUN: Off/On ERR.:Flashing/On</p> <p>CPU Status: Stop/Continue*1</p>	<p>Qn(H) QnPH QnPRH QnU LCPU</p>
2413	<p>[FILE OPE. ERROR]</p> <p>The file specified in the program was not written.</p> <p>■Collateral information</p> <ul style="list-style-type: none"> Common information: File name/Drive name Individual information: Program error location <p>■Diagnostic timing</p> <ul style="list-style-type: none"> When instruction executed 	<p>Read individual information of the error using the programming tool to identify the numeric value (program error location). Check the error step corresponding to the value and correct it as necessary.</p> <p>Check to ensure that the designated file has not been write protected.</p>	<p>RUN: Off/On ERR.:Flashing/On</p> <p>CPU Status: Stop/Continue*1</p>	<p>Qn(H) QnPH QnPRH</p>
2500	<p>[CAN'T EXE. PRG.]</p> <ul style="list-style-type: none"> Any of the program files are using a device that is out of the range configured in the Device tab of "PLC Parameter". After changing the device setting in "PLC Parameter", only the parameters were written to the CPU module. Although an SFC program exists, the number of step relay points is insufficient in the Device tab of "PLC Parameter". <p>■Collateral information</p> <ul style="list-style-type: none"> Common information: File name/Drive name Individual information: - <p>■Diagnostic timing</p> <ul style="list-style-type: none"> At power-on/At reset/STOP → RUN 	<ul style="list-style-type: none"> Read the common information of the error using the programming tool to identify the numeric value (file name). Verify the device assignments of the program file corresponding to the value with its parameter setting, and correct them as necessary. Whenever a device setting is changed, write both the parameter and program file to the CPU module. To use the SFC program, set the number of step relay points to appropriate value. 	<p>RUN: Off ERR.:Flashing</p> <p>CPU Status:Stop</p>	<p>QCPU LCPU</p>
	<p>[CAN'T EXE. PRG.]</p> <ul style="list-style-type: none"> After changing the index modification setting in "PLC Parameter", only the parameters were written to the CPU module. <p>■Collateral information</p> <ul style="list-style-type: none"> Common information: File name/Drive name Individual information: - <p>■Diagnostic timing</p> <ul style="list-style-type: none"> At power-on/At reset/STOP → RUN 	<ul style="list-style-type: none"> Whenever an index modification setting is changed in "PLC Parameter", batch-write the parameter and program file to the CPU module. 	<p>RUN: Off ERR.:Flashing</p> <p>CPU Status:Stop</p>	<p>QnU LCPU</p>

A

Appendix 1 Error Codes
Appendix 1.4 List of error codes (2000 to 2999)

Error code	Error and cause	Corrective action	LED status, CPU status	Corresponding CPU
2501	<p>[CAN'T EXE. PRG.] More than one program files exist although no program name is entered in the Program tab of "PLC Parameter".</p> <p>■Collateral information</p> <ul style="list-style-type: none"> • Common information: File name/Drive name • Individual information: - <p>■Diagnostic timing</p> <ul style="list-style-type: none"> • At power-on/At reset/STOP → RUN 	<p>Enter the program names in the Program tab of "PLC Parameter".</p> <p>Or delete unnecessary programs.</p>	<p>RUN: Off</p> <p>ERR.:Flashing</p>	<p>Qn(H)</p> <p>QnPH</p> <p>QnPRH</p> <p>QnU</p> <p>LCPU</p>
	<p>[CAN'T EXE. PRG.]</p> <ul style="list-style-type: none"> • There are three or more program files. • The program name differs from the program contents. <p>■Collateral information</p> <ul style="list-style-type: none"> • Common information: File name/Drive name • Individual information: - <p>■Diagnostic timing</p> <ul style="list-style-type: none"> • At power-on/At reset/STOP → RUN 	<ul style="list-style-type: none"> • Delete unnecessary program files. • Match the program name with the program contents. 	<p>CPU Status:Stop</p>	<p>Q00J/Q00/Q01</p>
2502	<p>[CAN'T EXE. PRG.] The program file is incorrect. Or the contents of the file are not programs.</p> <p>■Collateral information</p> <ul style="list-style-type: none"> • Common information: File name/Drive name • Individual information: - <p>■Diagnostic timing</p> <ul style="list-style-type: none"> • At power-on/At reset/STOP → RUN 	<p>Ensure that the program version is ***.QPG and the file contents are programs.</p>	<p>RUN: Off</p> <p>ERR.:Flashing</p>	<p>QCPU</p> <p>LCPU</p>
	<p>[CAN'T EXE. PRG.] The program file is not the one for the redundant CPU.</p> <p>■Collateral information</p> <ul style="list-style-type: none"> • Common information: File name/Drive name • Individual information: - <p>■Diagnostic timing</p> <ul style="list-style-type: none"> • At power-on/At reset/STOP → RUN 	<p>Create a program with GX Developer or PX Developer specifying the redundant CPU (Q12PRH/Q25PRH) as the PLC type, and write it to the CPU module.</p>	<p>CPU Status:Stop</p>	<p>QnPRH</p>
2503	<p>[CAN'T EXE. PRG.] There are no program files at all.</p> <p>■Collateral information</p> <ul style="list-style-type: none"> • Common information: File name/Drive name • Individual information: - <p>■Diagnostic timing</p> <ul style="list-style-type: none"> • At power-on/At reset/STOP → RUN 	<ul style="list-style-type: none"> • Check program configuration. • Check parameters and program configuration. 	<p>RUN: Off</p> <p>ERR.:Flashing</p> <p>CPU Status:Stop</p>	<p>QCPU</p> <p>LCPU</p>
2504	<p>[CAN'T EXE. PRG.] Two or more SFC normal programs or control programs have been designated.</p> <p>■Collateral information</p> <ul style="list-style-type: none"> • Common information: File name/Drive name • Individual information: - <p>■Diagnostic timing</p> <ul style="list-style-type: none"> • At power-on/At reset/STOP → RUN/When SFC program is executed 	<ul style="list-style-type: none"> • Check program configuration. • Check parameters and program configuration. 	<p>RUN: Off</p> <p>ERR.:Flashing</p>	<p>Qn(H)</p> <p>QnPH</p> <p>QnPRH</p> <p>QnU</p> <p>LCPU</p>
	<p>[CAN'T EXE. PRG.] There are two or more SFC programs.</p> <p>■Collateral information</p> <ul style="list-style-type: none"> • Common information: File name/Drive name • Individual information: - <p>■Diagnostic timing</p> <ul style="list-style-type: none"> • At power-on/At reset/STOP → RUN 	<p>Reduce the SFC programs to one.</p>	<p>CPU Status:Stop</p>	<p>Q00J/Q00/Q01</p>

Error code	Error and cause	Corrective action	LED status, CPU status	Corresponding CPU
2700	<p>[REMOTE PASS.FAIL] The count of remote password mismatches reached the upper limit.</p> <p>■Collateral information</p> <ul style="list-style-type: none"> • Common information: - • Individual information: - <p>■Diagnostic timing</p> <ul style="list-style-type: none"> • Always 	<p>Check for illegal accesses. If any illegal access is identified, take actions such as disabling communication of the connection. If it was identified not illegal, clear the error and perform the following. (Clearing the error also clears the remote password mismatch counts.)</p> <ul style="list-style-type: none"> • Check if the remote password sent is correct. • Check if the remote password has been locked. • Check if concurrent access was made from multiple devices to one connection by UDP. • Check if the upper limit of the remote password mismatch count is too low. 	<p>RUN: On ERR.: On</p> <p>CPU Status: Continue</p>	<p>QnU*³ LCPU*³</p>
2710	<p>[SNTP OPE.ERROR] Time setting failed when the programmable controller was powered ON or reset.</p> <p>■Collateral information</p> <ul style="list-style-type: none"> • Common information: - • Individual information: - <p>■Diagnostic timing</p> <ul style="list-style-type: none"> • When time setting function is executed 	<ul style="list-style-type: none"> • Check if the time setting function is set up correctly. • Check if the specified SNTP server is operating normally, or if any failure has occurred on the network connected to the specified SNTP server computer. 	<p>RUN: Off/On ERR.: Flashing/On</p> <p>CPU Status: Stop/Continue*¹</p>	<p>QnU*³ LCPU*³</p>
2720	<p>[KEY AUTHEN. ERR.]</p> <ul style="list-style-type: none"> • The security key set to the file is corrupted and does not match the one set to the CPU module. • The security key set to the CPU module is corrupted and does not match the one set to the file. <p>■Collateral information</p> <ul style="list-style-type: none"> • Common information: - • Individual information: - <p>■Diagnostic timing</p> <ul style="list-style-type: none"> • At power-on/At reset/STOP → RUN 	<ul style="list-style-type: none"> • Rewrite the file to the CPU module. • The cause is a hardware failure of the CPU module. Please consult your local Mitsubishi representative. 	<p>RUN: Off ERR.: Flashing</p> <p>CPU Status: Stop</p>	<p>QnUDV QnUDPV</p>
2900	<p>[DISPLAY ERROR] The display unit was attached or detached while the CPU module is on.</p> <p>■Collateral information</p> <ul style="list-style-type: none"> • Common information: - • Individual information: - <p>■Diagnostic timing</p> <ul style="list-style-type: none"> • Always 	<ul style="list-style-type: none"> • Do not detach the display unit during operation. • Ensure that the display unit is securely attached to the CPU module. • Reset the CPU module and run it again. If the same error is displayed again, the CPU module or display unit is faulty. Please consult your local Mitsubishi representative. 	<p>RUN: On ERR.: On</p> <p>CPU Status: Continue</p>	<p>LCPU</p>
2901	<p>[DISPLAY ERROR] A failure was detected in the display unit. (in a initial processing)</p> <p>■Collateral information</p> <ul style="list-style-type: none"> • Common information: - • Individual information: - <p>■Diagnostic timing</p> <ul style="list-style-type: none"> • At power-on/At reset 	<ul style="list-style-type: none"> • Ensure that the display unit is securely attached to the CPU module. • Reset the CPU module and run it again. If the same error is displayed again, the CPU module or display unit is faulty. Please consult your local Mitsubishi representative. 	<p>RUN: On ERR.: On</p> <p>CPU Status: Continue</p>	<p>LCPU</p>
2902	<p>[DISPLAY ERROR] A failure was detected in the display unit. (during operation)</p> <p>■Collateral information</p> <ul style="list-style-type: none"> • Common information: - • Individual information: - <p>■Diagnostic timing</p> <ul style="list-style-type: none"> • Always 	<ul style="list-style-type: none"> • Ensure that the display unit is securely attached to the CPU module. • Reset the CPU module and run it again. If the same error is displayed again, the CPU module or display unit is faulty. Please consult your local Mitsubishi representative. 	<p>RUN: On ERR.: On</p> <p>CPU Status: Continue</p>	<p>LCPU</p>
2998	<p>[CAN'T ACTIVATE] A device required for the license authentication does not exist.</p> <p>■Collateral information</p> <ul style="list-style-type: none"> • Common information: - • Individual information: - <p>■Diagnostic timing</p> <ul style="list-style-type: none"> • When instruction executed 	<p>Please consult your local Mitsubishi representative.</p>	<p>RUN: Off ERR.: Flashing</p> <p>CPU Status: Stop</p>	<p>QnUDV QnUDPV LCPU</p>

A

Appendix 1 Error Codes
Appendix 1.4 List of error codes (2000 to 2999)

Error code	Error and cause	Corrective action	LED status, CPU status	Corresponding CPU
2999	<p>[CAN'T ACTIVATE] The specified license key is incorrect.</p> <p>■Collateral information</p> <ul style="list-style-type: none"> • Common information: - • Individual information: - <p>■Diagnostic timing</p> <ul style="list-style-type: none"> • When instruction executed 	Check the license key and specify correct one.	RUN: Off ERR.:Flashing CPU Status:Stop	QnUDV QnUDPV LCPU

- *1 The operating status of the CPU module after an error has occurred can be set in parameter. (LED indication changes according to the status.)
- *2 The operating status of each intelligent function module after an error has occurred can be set in parameter (stop or continue).
- *3 Built-in Ethernet port QCPU and Built-in Ethernet port LCPU
- *4 The QnUDPVCPU does not support the AnS series modules.

Appendix 1.5 List of error codes (3000 to 3999)

The following table shows the error messages, the error contents and causes, and the corrective actions for the error codes (3000 to 3999).

Error code	Error and cause	Corrective action	LED status, CPU status	Corresponding CPU
3000	<p>[PARAMETER ERROR] In a multiple CPU system, the intelligent function module under control of another CPU is specified in the interrupt pointer setting of the PLC parameter.</p> <p>■Collateral information</p> <ul style="list-style-type: none"> • Common information: File name/Drive name • Individual information: Parameter number <p>■Diagnostic timing</p> <ul style="list-style-type: none"> • At power-on/At reset/STOP → RUN 	<ul style="list-style-type: none"> • Specify the start I/O number of the intelligent function module under control of the host CPU. • Delete the interrupt pointer setting of the parameter. 		Qn(H) QnPH QnU
	<p>[PARAMETER ERROR] The PLC parameter settings for timer time limit setting, the RUN-PAUSE contact, the common pointer number, general data processing, number of empty slots, system interrupt settings, baud rate setting, and service processing setting are outside the range for the CPU module.</p> <p>■Collateral information</p> <ul style="list-style-type: none"> • Common information: File name/Drive name • Individual information: Parameter number <p>■Diagnostic timing</p> <ul style="list-style-type: none"> • At power-on/At reset/STOP → RUN/At writing to programmable controller 			QCPU
	<p>[PARAMETER ERROR] In a program memory check, the check capacity has not been set within the range applicable for the CPU module.</p> <p>■Collateral information</p> <ul style="list-style-type: none"> • Common information: File name/Drive name • Individual information: Parameter number <p>■Diagnostic timing</p> <ul style="list-style-type: none"> • At power-on/At reset/STOP → RUN/At writing to programmable controller 	<ul style="list-style-type: none"> • Check that the I/O assignment setting of the PLC parameter and the mounted/connected modules match. • Read the individual information of the error using the programming tool to identify the numeric value (parameter No.). Check the parameters corresponding to the value, and correct them as necessary. 	RUN: Off ERR.:Flashing CPU Status:Stop	QnPH QnPRH
	<p>[PARAMETER ERROR] The parameter setting in the individual information of the error (SD16) is invalid.</p> <p>■Collateral information</p> <ul style="list-style-type: none"> • Common information: File name/Drive name • Individual information: Parameter number <p>■Diagnostic timing</p> <ul style="list-style-type: none"> • At power-on/At reset/STOP → RUN/At writing to programmable controller 	<ul style="list-style-type: none"> • Rewrite corrected parameters to the CPU module, reload the CPU power supply and/or reset the module. • If the same error occurs, the cause is a hardware failure. Please consult your local Mitsubishi representative. 		QCPU LCPV
	<p>[PARAMETER ERROR] The ATA card is set to the memory card slot when the specified drive for the file register is set to "memory card (ROM)" and [Use the following file] or [Use the same file name as the program] (either one is allowed) is set in the PLC file setting.</p> <p>■Collateral information</p> <ul style="list-style-type: none"> • Common information: File name/Drive name • Individual information: Parameter number <p>■Diagnostic timing</p> <ul style="list-style-type: none"> • At power-on/At reset/STOP → RUN/At writing to programmable controller 			QnU (except the QnUDV and QnUDPV)

A

Appendix 1 Error Codes
Appendix 1.5 List of error codes (3000 to 3999)

Error code	Error and cause	Corrective action	LED status, CPU status	Corresponding CPU
3000	<p>[PARAMETER ERROR] Any of the values for the Timer Limit Setting, RUN-PAUSE Contacts, Common Pointer No., Points Occupied by Empty Slot, System Interrupt Setting, or Service Processing Setting option configured in "PLC Parameter" are outside the range of the CPU module.</p> <p>■Collateral information</p> <ul style="list-style-type: none"> • Common information: File name/Drive name • Individual information: Parameter number <p>■Diagnostic timing</p> <ul style="list-style-type: none"> • At power-on/At reset/STOP → RUN/At writing to programmable controller 	<ul style="list-style-type: none"> • Read the individual information of the error using the programming tool to identify the numeric value (parameter No.). Check the parameters corresponding to the value, and correct them as necessary. • If the error occurs even after the parameters are corrected, the cause is a failure of the program memory or standard RAM of the CPU module, or SD memory card. Please consult your local Mitsubishi representative. 	<p>RUN: Off ERR.:Flashing</p> <p>CPU Status:Stop</p>	LCPU
3001	<p>[PARAMETER ERROR] The parameter settings are corrupted.</p> <p>■Collateral information</p> <ul style="list-style-type: none"> • Common information: File name/Drive name • Individual information: Parameter number <p>■Diagnostic timing</p> <ul style="list-style-type: none"> • At power-on/At reset/STOP → RUN/At writing to programmable controller 	<ul style="list-style-type: none"> • Check that the I/O assignment setting of the PLC parameter and the mounted/connected modules match. • Read the individual information of the error using the programming tool to identify the numeric value (parameter No.). Check the parameters corresponding to the value, and correct them as necessary. • Rewrite corrected parameters to the CPU module, reload the CPU power supply and/or reset the module. • If the same error occurs, the cause is a hardware failure. Please consult your local Mitsubishi representative. 	<p>RUN: Off ERR.:Flashing</p> <p>CPU Status:Stop</p>	<p>QCPU LCPU</p>
	<p>[PARAMETER ERROR] Unsupported parameters exist.</p> <ul style="list-style-type: none"> • Other than "1" is set for the group number in the CC-Link IEF Basic setting. <p>■Collateral information</p> <ul style="list-style-type: none"> • Common information: File name/Drive name • Individual information: Parameter number <p>■Diagnostic timing</p> <ul style="list-style-type: none"> • At power-on/At reset/STOP → RUN/At writing to programmable controller 	<p>Check the version of the CPU module used and use the CPU module that supports the parameter.</p> <p>Use the CPU module with parameters available to the CPU module used.</p> <ul style="list-style-type: none"> • Set the network configuration so that the total number of occupied stations is 16 or less and set "1" for the group number. 		<p>QnUDV QnUDPV</p>
	<p>[PARAMETER ERROR] Unsupported parameters exist.</p> <ul style="list-style-type: none"> • In the CC-Link IEF Basic setting, the total number of occupied stations exceeds eight. <p>■Collateral information</p> <ul style="list-style-type: none"> • Common information: File name/Drive name • Individual information: Parameter number <p>■Diagnostic timing</p> <ul style="list-style-type: none"> • At power-on/At reset/STOP → RUN/At writing to programmable controller 	<p>Check the version of the CPU module used and use the CPU module that supports the parameter.</p> <p>Use the CPU module with parameters available to the CPU module used.</p> <ul style="list-style-type: none"> • Set the network configuration so that the total number of occupied stations is eight or less. 		LCPU

Error code	Error and cause	Corrective action	LED status, CPU status	Corresponding CPU
3002	<p>[PARAMETER ERROR] When "Use the following file" is selected for the file register in the PLC file setting of "PLC Parameter", the specified file does not exist although the file register capacity has been set.</p> <p>■Collateral information</p> <ul style="list-style-type: none"> • Common information: File name/Drive name • Individual information: Parameter number <p>■Diagnostic timing</p> <ul style="list-style-type: none"> • At power-on/At reset/STOP → RUN/At writing to programmable controller 	<ul style="list-style-type: none"> • Check that the I/O assignment setting of the PLC parameter and the mounted/connected modules match. • Read the individual information of the error using the programming tool to identify the numeric value (parameter No.). Check the parameters corresponding to the value, and correct them as necessary. • Rewrite corrected parameters to the CPU module, reload the CPU power supply and/or reset the module. • If the same error occurs, the cause is a hardware failure. Please consult your local Mitsubishi representative. 	<p>RUN: Off ERR.:Flashing CPU Status:Stop</p>	<p>Qn(H) QnPH QnPRH</p>
	<p>[PARAMETER ERROR] When "Use the following file" is selected for File Register in the PLC File tab of "PLC Parameter" and "Capacity" is not set, the file register file does not exist in the specified memory.</p> <p>■Collateral information</p> <ul style="list-style-type: none"> • Common information: File name/Drive name • Individual information: Parameter number <p>■Diagnostic timing</p> <ul style="list-style-type: none"> • At power-on/At reset/STOP → RUN/At writing to programmable controller 			<p>QnU LCPU</p>
	<p>[PARAMETER ERROR] When "Use the following file" is selected for a device data storage file in the PLC File tab of "PLC Parameter" and "Capacity" is not set, the device data storage file does not exist in the specified memory.</p> <p>■Collateral information</p> <ul style="list-style-type: none"> • Common information: File name/Drive name • Individual information: Parameter number <p>■Diagnostic timing</p> <ul style="list-style-type: none"> • At power-on/At reset/STOP → RUN/At writing to programmable controller 			



Error code	Error and cause	Corrective action	LED status, CPU status	Corresponding CPU
3003	<p>[PARAMETER ERROR] The automatic refresh range of the multiple CPU system exceeded the file register capacity.</p> <p>■Collateral information</p> <ul style="list-style-type: none"> • Common information: File name/Drive name • Individual information: Parameter number <p>■Diagnostic timing</p> <ul style="list-style-type: none"> • When an END instruction or a COM instruction executed 	Change the file register file for the one that the entire target range can be refreshed.	RUN: Off ERR.:Flashing CPU Status:Stop	Qn(H) QnPH QnU
	<p>[PARAMETER ERROR] The number of device points set in the Device tab of "PLC Parameter" is outside the range of the specifications of the CPU module.</p> <p>■Collateral information</p> <ul style="list-style-type: none"> • Common information: File name/Drive name • Individual information: Parameter number <p>■Diagnostic timing</p> <ul style="list-style-type: none"> • At power-on/At reset/STOP → RUN/At writing to programmable controller 	<ul style="list-style-type: none"> • Read the individual information of the error using the programming tool to identify the numeric value (parameter No.). Check the parameters corresponding to the value, and correct them as necessary. • If the error occurs even after the parameters are corrected, the cause is a failure of the program memory, memory card, or SD memory card of the CPU module. Please consult your local Mitsubishi representative. 		QCPU LCPU
	<p>[PARAMETER ERROR] The setting of the CC-Link IE Field Network Basic refresh range crosses over the boundary between the internal user device and the extended data register (D) or extended link register (W).</p> <p>■Collateral information</p> <ul style="list-style-type: none"> • Common information: File name/Drive name • Individual information: Parameter number <p>■Diagnostic timing</p> <ul style="list-style-type: none"> • At power-on/At reset/STOP → RUN/At writing to programmable controller 	Set the refresh range so that it does not cross over the boundary between the internal user device and the extended data register (D) or extended link register (W).		QnUDV QnUDPV LCPU
	<p>[PARAMETER ERROR] The CC-Link IE Field Network Basic refresh range exceeded the file register capacity.</p> <p>■Collateral information</p> <ul style="list-style-type: none"> • Common information: File name/Drive name • Individual information: Parameter number <p>■Diagnostic timing</p> <ul style="list-style-type: none"> • At power-on/At reset/STOP → RUN/At writing to programmable controller/When an END instruction or a COM instruction executed 	<ul style="list-style-type: none"> • Change the file register file for the one that the entire target range can be refreshed. • Increase the file register capacity, or change the refresh settings. 		QnUDV QnUDPV LCPU
3004	<p>[PARAMETER ERROR] The parameter file is incorrect. Alternatively, the contents of the file are not parameters.</p> <p>■Collateral information</p> <ul style="list-style-type: none"> • Common information: File name/Drive name • Individual information: Parameter number <p>■Diagnostic timing</p> <ul style="list-style-type: none"> • At power-on/At reset/STOP → RUN/At writing to programmable controller 	Ensure that the parameter file version is ***.QPA and the file contents are parameters.	RUN: Off ERR.:Flashing CPU Status:Stop	QCPU LCPU
3005	<p>[PARAMETER ERROR] The contents of the parameter are broken.</p> <p>■Collateral information</p> <ul style="list-style-type: none"> • Common information: File name/Drive name • Individual information: Parameter number <p>■Diagnostic timing</p> <ul style="list-style-type: none"> • At power-on/At reset/STOP → RUN 	<ul style="list-style-type: none"> • Read the individual information of the error using the programming tool to identify the numeric value (parameter No.). Check the parameters corresponding to the value, and correct them as necessary. • Write the modified parameter items to the CPU module again, and power-on the programmable controller or reset the CPU module. • If the same error occurred, the cause is a hardware failure. Please consult your local Mitsubishi representative. 	RUN: Off ERR.:Flashing CPU Status:Stop	Qn(H) QnPH QnPRH

Error code	Error and cause	Corrective action	LED status, CPU status	Corresponding CPU
3006	<p>[PARAMETER ERROR]</p> <ul style="list-style-type: none"> The high speed interrupt is set in a Q02CPU. The high speed interrupt is set in a multiple CPU system. The high speed interrupt is set when a QA1S6□B or QA6□B is used. No module is installed at the I/O address designated by the high speed interrupt. <p>■Collateral information</p> <ul style="list-style-type: none"> Common information: File name/Drive name Individual information: Parameter number <p>■Diagnostic timing</p> <ul style="list-style-type: none"> At power-on/At reset/STOP → RUN/At writing to programmable controller 	<ul style="list-style-type: none"> Delete the setting of the Q02CPU' s high speed interrupt. To use high speed interrupts, change the CPU module to one of the Q02H/Q06H/Q12H/Q25HCPU. To use a multiple CPU system, delete the setting of the high-speed interrupt. To use high speed interrupts, change the system to a single CPU system. To use either the QA1S6□B or QA6□B, delete the setting of the high speed interrupt. To use high speed interrupts, do not use the QA1S6□B/QA6□B. Re-examine the I/O address designated by the high speed interrupt setting. 	<p>RUN: Off ERR.:Flashing</p> <p>CPU Status:Stop</p>	Qn(H)
	<p>[PARAMETER ERROR]</p> <ul style="list-style-type: none"> No module is installed at the I/O address designated by the high speed interrupt or the I/O address is outside the range. The CPU device setting for high speed buffer transfer is outside the range. <p>■Collateral information</p> <ul style="list-style-type: none"> Common information: File name/Drive name Individual information: Parameter number <p>■Diagnostic timing</p> <ul style="list-style-type: none"> At power-on/At reset/STOP → RUN/At writing to programmable controller 	<ul style="list-style-type: none"> Re-examine the I/O address designated by the high speed interrupt setting. Re-examine the buffer range designated by the high speed interrupt setting. 		QnUDV QnUDPV
3007	<p>[PARAMETER ERROR]</p> <p>The parameter file in the drive specified as valid parameter drive by the DIP switches is inapplicable for the CPU module.</p> <p>■Collateral information</p> <ul style="list-style-type: none"> Common information: File name/Drive name Individual information: Parameter number <p>■Diagnostic timing</p> <ul style="list-style-type: none"> At power-on/At reset/STOP → RUN/At writing to programmable controller 	<p>Create parameters using the programming tool and write them to the drive specified as a parameter-valid drive by the DIP switches.</p>	<p>RUN: Off ERR.:Flashing</p> <p>CPU Status:Stop</p>	QnPRH
3009	<p>[PARAMETER ERROR]</p> <p>In a multiple CPU system, the modules for AnS, A, Q2AS and QnA have been set to multiple control CPUs.</p> <p>■Collateral information</p> <ul style="list-style-type: none"> Common information: File name/Drive name Individual information: Parameter number <p>■Diagnostic timing</p> <ul style="list-style-type: none"> At power-on/At reset 	<p>Re-set the parameter I/O assignment to control them under one CPU module. (Change the parameters of all CPUs in the multiple CPU system.)</p>	<p>RUN: Off ERR.:Flashing</p> <p>CPU Status:Stop</p>	Qn(H) QnU (except the QnUDPV)
3010	<p>[PARAMETER ERROR]</p> <p>The parameter-set number of CPU modules differs from the actual number in a multiple CPU system.</p> <p>■Collateral information</p> <ul style="list-style-type: none"> Common information: File name/Drive name Individual information: Parameter number <p>■Diagnostic timing</p> <ul style="list-style-type: none"> At power-on/At reset/STOP → RUN/At writing to programmable controller 	<p>The number of CPU modules in the multiple CPU system must be the same as the value derived as follows: (the number of CPU modules set in the multiple CPU setting) - (the number of PLC (empty) slots set in the I/O assignment).</p>	<p>RUN: Off ERR.:Flashing</p> <p>CPU Status:Stop</p>	Qn(H) QnPH
3012	<p>[PARAMETER ERROR]</p> <p>Multiple CPU setting or control CPU setting differs from that of the reference CPU settings in a multiple CPU system.</p> <p>■Collateral information</p> <ul style="list-style-type: none"> Common information: File name/Drive name Individual information: Parameter number <p>■Diagnostic timing</p> <ul style="list-style-type: none"> At power-on/At reset/STOP → RUN/At writing to programmable controller 	<p>Match the multiple CPU setting or control CPU setting in the PLC parameter with that of the reference CPU (CPU No.1) settings.</p>	<p>RUN: Off ERR.:Flashing</p> <p>CPU Status:Stop</p>	Q00/Q01 Qn(H) QnU

A

Error code	Error and cause	Corrective action	LED status, CPU status	Corresponding CPU
3013	<p>[PARAMETER ERROR] Multiple CPU auto refresh setting is any of the following in a multiple CPU system.</p> <ul style="list-style-type: none"> When a bit device is specified as a refresh device, a number other than a multiple of 16 is specified for the refresh-starting device. The device specified is other than the one that may be specified. The number of send points is an odd number. <p>■Collateral information</p> <ul style="list-style-type: none"> Common information: File name/Drive name Individual information: Parameter number <p>■Diagnostic timing</p> <ul style="list-style-type: none"> At power-on/At reset/STOP → RUN/At writing to programmable controller 	<p>Check the following in the refresh setting in the multiple CPU settings window, and correct the setting.</p> <ul style="list-style-type: none"> When specifying the bit device, specify a multiple of 16 for the refresh starting device. Specify the device that may be specified for the refresh device. Set the number of send points to an even number. 	<p>RUN: Off ERR.:Flashing CPU Status:Stop</p>	Qn(H) QnPH
	<p>[PARAMETER ERROR] Multiple CPU auto refresh setting is any of the following in a multiple CPU system.</p> <ul style="list-style-type: none"> The total number of transmission points is greater than the maximum number of refresh points. <p>■Collateral information</p> <ul style="list-style-type: none"> Common information: File name/Drive name Individual information: Parameter number <p>■Diagnostic timing</p> <ul style="list-style-type: none"> At power-on/At reset/STOP → RUN/At writing to programmable controller 	<p>Check the following in the refresh setting in the multiple CPU settings window, and correct the setting.</p> <ul style="list-style-type: none"> The total number of transmission points is within the maximum number of refresh points. 		Q00/Q01
	<p>[PARAMETER ERROR] Multiple CPU auto refresh setting is any of the following in a multiple CPU system.</p> <ul style="list-style-type: none"> The device specified is other than the one that may be specified. The number of send points is an odd number. The total number of send points is greater than the maximum number of refresh points. The setting of the refresh range crosses over the boundary between the internal user device and the extended data register (D) or extended link register (W). No device is set in the host CPU send range. <p>■Collateral information</p> <ul style="list-style-type: none"> Common information: File name/Drive name Individual information: Parameter number <p>■Diagnostic timing</p> <ul style="list-style-type: none"> At power-on/At reset/STOP → RUN/At writing to programmable controller 	<p>Check the following in the refresh setting in the multiple CPU settings window, and correct the setting.</p> <ul style="list-style-type: none"> Specify the device that may be specified for the refresh device. Set the number of send points to an even number. Set the total number of send points within the range of the maximum number of refresh points. Set the refresh range so that it does not cross over the boundary between the internal user device and the extended data register (D) or extended link register (W). For the send range of the host CPU, refresh target device must be specified. If a send range is not necessary, delete the applicable send range. 		QnU
3014	<p>[PARAMETER ERROR]</p> <ul style="list-style-type: none"> In a multiple CPU system, the online module change parameter (multiple CPU system parameter) settings differ from those of the reference CPU. In a multiple CPU system, the online module change setting is enabled although the CPU module mounted does not support online module change parameter. In a multiple CPU system, online module change parameter was corrected and then it was written to the CPU module. <p>■Collateral information</p> <ul style="list-style-type: none"> Common information: File name/Drive name Individual information: Parameter number <p>■Diagnostic timing</p> <ul style="list-style-type: none"> At power-on/At reset/At writing to programmable controller 	<ul style="list-style-type: none"> Match the online module change parameter with that of the reference CPU. If the CPU module that does not support online module change is mounted, replace it with the CPU module that supports online module change. 	<p>RUN: Off ERR.:Flashing CPU Status:Stop</p>	Qn(H) QnPH QnU

Error code	Error and cause	Corrective action	LED status, CPU status	Corresponding CPU
3015	<p>[PARAMETER ERROR] In a multiple CPU system configuration, the CPU verified is different from the one set in the parameter setting.</p> <p>■Collateral information</p> <ul style="list-style-type: none"> • Common information: File name/Drive name • Individual information: Parameter number/CPU No. <p>■Diagnostic timing</p> <ul style="list-style-type: none"> • At power-on/At reset/STOP → RUN/At writing to programmable controller 	<p>Read the individual information of the error using the programming tool to identify the numeric value (parameter No./CPU No.). Check the parameters and its configuration corresponding to the value, and correct them as necessary.</p>	<p>RUN: Off ERR.:Flashing CPU Status:Stop</p>	QnU
3016	<p>[PARAMETER ERROR] The CPU module incompatible with multiple CPU synchronized boot-up is set as the target for the synchronized boot-up in the [Multiple CPU synchronous startup setting].</p> <p>■Collateral information</p> <ul style="list-style-type: none"> • Common information: File name/Drive name • Individual information: Parameter number/CPU No. <p>■Diagnostic timing</p> <ul style="list-style-type: none"> • At power-on/At reset 	<p>Delete the CPU module incompatible with multiple CPU synchronized boot-up from the setting.</p>	<p>RUN: Off ERR.:Flashing CPU Status:Stop</p>	QnU
3040	<p>[PARAMETER ERROR] The parameter file is damaged.</p> <p>■Collateral information</p> <ul style="list-style-type: none"> • Common information: - • Individual information: - <p>■Diagnostic timing</p> <ul style="list-style-type: none"> • At power-on/At reset 	<p>Write the parameters configured in "PLC parameter" and "Network parameter" and remote password to a parameter-valid drive, and power on the system again or reset the CPU module. If the same error occurs, the cause is a hardware failure. Please consult your local Mitsubishi representative.</p>	<p>RUN: Off ERR.:Flashing CPU Status:Stop</p>	Qn(H) QnPH QnPRH
3041	<p>[PARAMETER ERROR] Parameter file of intelligent function module is damaged.</p> <p>■Collateral information</p> <ul style="list-style-type: none"> • Common information: - • Individual information: - <p>■Diagnostic timing</p> <ul style="list-style-type: none"> • At power-on/At reset 	<p>Write the intelligent function module parameter to the parameter-valid drive, and power on the system again or reset the CPU module. If the same error occurs, the cause is a hardware failure. Please consult your local Mitsubishi representative.</p>	<p>RUN: Off ERR.:Flashing CPU Status:Stop</p>	Qn(H) QnPH QnPRH
3042	<p>[PARAMETER ERROR] The system file that have stored the remote password setting information is damaged.</p> <p>■Collateral information</p> <ul style="list-style-type: none"> • Common information: - • Individual information: - <p>■Diagnostic timing</p> <ul style="list-style-type: none"> • At power-on/At reset 	<ul style="list-style-type: none"> • Write the parameters configured in "PLC parameter" and "Network parameter" and remote password to a parameter-valid drive, and power on the system again or reset the CPU module. If the same error occurs, the cause is a hardware failure. Please consult your local Mitsubishi representative. • When a valid drive for parameter is set to other than [program memory], set the parameter file (PARAM) at the boot file setting to be able to transmit to the program memory. Write the parameters configured in "PLC parameter" and "Network parameter" and remote password to a parameter-valid drive, and power on the system again or reset the CPU module. If the same error occurs, the cause is a hardware failure. Please consult your local Mitsubishi representative. 	<p>RUN: Off ERR.:Flashing CPU Status:Stop</p>	Qn(H) QnPH QnPRH

A

Appendix 1 Error Codes
Appendix 1.5 List of error codes (3000 to 3999)

Error code	Error and cause	Corrective action	LED status, CPU status	Corresponding CPU
3100	<p>[LINK PARA. ERROR] In a multiple CPU system, the CC-Link IE module controlled by another CPU is specified as the start I/O number of the CC-Link IE module.</p> <p>■Collateral information</p> <ul style="list-style-type: none"> • Common information: File name/Drive name • Individual information: Parameter number <p>■Diagnostic timing</p> <ul style="list-style-type: none"> • At power-on/At reset/STOP → RUN 	<ul style="list-style-type: none"> • Delete the network parameter of the CC-Link IE module controlled by another CPU. • Change the setting to the start I/O number of the CC-Link IE module controlled by host CPU. 	<p>RUN: Off ERR.:Flashing</p> <p>CPU Status:Stop</p>	<p>Qn(H) QnPRH QnU</p>
	<p>[LINK PARA. ERROR] The network parameter of the CC-Link IE operating as the normal station is overwritten to the control station. Alternatively, the network parameter for the CC-Link IE module that is operating as a normal station has been changed to the control station. (The network parameter is updated on the module by resetting.)</p> <p>■Collateral information</p> <ul style="list-style-type: none"> • Common information: File name/Drive name • Individual information: Parameter number <p>■Diagnostic timing</p> <ul style="list-style-type: none"> • At power-on/At reset/STOP → RUN 	<p>Reset the CPU module.</p>		<p>Qn(H) QnPH QnPRH QnU LCPU</p>
	<p>[LINK PARA. ERROR]</p> <ul style="list-style-type: none"> • The number of modules actually mounted is different from that is set in Network parameter for the CC-Link IE module. • The start I/O number of the actually mounted module is different from the one set in the network parameter of the CC-Link IE. • Parameter-set data cannot be used. • The network type of CC-Link IE is overwritten during power-on. (When changing the network type, switch RESET to RUN.) <p>■Collateral information</p> <ul style="list-style-type: none"> • Common information: File name/Drive name • Individual information: Parameter number <p>■Diagnostic timing</p> <ul style="list-style-type: none"> • At power-on/At reset/STOP → RUN 	<ul style="list-style-type: none"> • Check the network parameters and actual mounting status, and if they differ, make them matched. If any of the network parameters is corrected, write it to the CPU module. • Check the set number of extension base units. • Check the connection status of the extension base units and extension cables. Check the connection of the GOT if it is bus-connected to the main base unit or extension base unit. <p>If an error occurs even after taking the above measures, the cause is a hardware failure. Please consult your local Mitsubishi representative.</p>		

Error code	Error and cause	Corrective action	LED status, CPU status	Corresponding CPU
3100	<p>[LINK PARA. ERROR]</p> <ul style="list-style-type: none"> The CC-Link IE module is specified for the start I/O number of network parameter in the MELSECNET/H. The MELSECNET/H module is specified for the start I/O number of network parameter in the CC-Link IE. <p>■Collateral information</p> <ul style="list-style-type: none"> Common information: File name/Drive name Individual information: Parameter number <p>■Diagnostic timing</p> <ul style="list-style-type: none"> At power-on/At reset/STOP → RUN 	<ul style="list-style-type: none"> Check the network parameters and actual mounting status, and if they differ, make them matched. If any of the network parameters is corrected, write it to the CPU module. Check the set number of extension base units. Check the connection status of the extension base units and extension cables. Check the connection of the GOT if it is bus-connected to the main base unit or extension base unit. <p>If an error occurs even after taking the above measures, the cause is a hardware failure. Please consult your local Mitsubishi representative.</p>		<p>Qn(H) QnPH QnPRH QnU</p>
	<p>[LINK PARA. ERROR]</p> <ul style="list-style-type: none"> Although the CC-Link IE module is mounted, network parameter for the CC-Link IE module is not set. Although the CC-Link IE and MELSECNET/H modules are mounted, network parameter for the MELSECNET/H module is not set. <p>■Collateral information</p> <ul style="list-style-type: none"> Common information: File name/Drive name Individual information: Parameter number <p>■Diagnostic timing</p> <ul style="list-style-type: none"> At power-on/At reset/STOP → RUN 	<ul style="list-style-type: none"> Check the network parameters and actual mounting status, and if they differ, make them matched. If any of the network parameters is corrected, write it to the CPU module. Check the set number of extension base units. Check the connection status of the extension base units and extension cables. Check the connection of the GOT if it is bus-connected to the main base unit or extension base unit. <p>If an error occurs even after taking the above measures, the cause is a hardware failure. Please consult your local Mitsubishi representative.</p>	<p>RUN: Off ERR.:Flashing CPU Status:Stop</p>	<p>Qn(H) QnPH QnPRH QnU</p>
	<p>[LINK PARA. ERROR]</p> <ul style="list-style-type: none"> Although the CC-Link IE module is mounted, network parameter for the CC-Link IE module is not set. <p>■Collateral information</p> <ul style="list-style-type: none"> Common information: File name/Drive name Individual information: Parameter number <p>■Diagnostic timing</p> <ul style="list-style-type: none"> At power-on/At reset/STOP → RUN 	<ul style="list-style-type: none"> Check the network parameters and actual mounting status, and if they differ, make them matched. If any of the network parameters is corrected, write it to the CPU module. <p>If an error occurs even after taking the above measures, the cause is a hardware failure. Please consult your local Mitsubishi representative.</p>		<p>LCPU</p>
	<p>[LINK PARA. ERROR]</p> <p>In a multiple CPU system, the MELSECNET/H under control of another CPU is specified as the start I/O number in the network setting parameter of the MELSECNET/H.</p> <p>■Collateral information</p> <ul style="list-style-type: none"> Common information: File name/Drive name Individual information: Parameter number <p>■Diagnostic timing</p> <ul style="list-style-type: none"> At power-on/At reset/STOP → RUN 	<ul style="list-style-type: none"> Delete the MELSECNET/H network parameter of the MELSECNET/H under control of another CPU. Change the setting to the start I/O number of the MELSECNET/H under control of the host CPU. 		<p>Q00/Q01 Qn(H) QnPH QnU</p>

A

Error code	Error and cause	Corrective action	LED status, CPU status	Corresponding CPU
3100	<p>[LINK PARA. ERROR] The network parameter of the MELSECNET/H operating as the normal station is overwritten to the control station. Or, the network parameter of the MELSECNET/H operating as the control station is overwritten to the normal station. (The network parameter is updated on the module by resetting.)</p> <p>■Collateral information</p> <ul style="list-style-type: none"> • Common information: File name/Drive name • Individual information: Parameter number <p>■Diagnostic timing</p> <ul style="list-style-type: none"> • At power-on/At reset/STOP → RUN 	Reset the CPU module.	RUN: Off ERR.:Flashing CPU Status:Stop	Qn(H) QnPH QnPRH QnU
	<p>[LINK PARA. ERROR]</p> <ul style="list-style-type: none"> • The number of modules actually mounted is different from that is set in Network parameter for MELSECNET/H. • The start I/O number of actually installed modules is different from that designated in the network parameter of MELSECNET/H. • Parameter-set data cannot be used. • The network type of MELSECNET/H is overwritten during power-on. (When changing the network type, switch RESET to RUN.) • The mode switch of MELSECNET/H module is outside the range. <p>■Collateral information</p> <ul style="list-style-type: none"> • Common information: File name/Drive name • Individual information: Parameter number <p>■Diagnostic timing</p> <ul style="list-style-type: none"> • At power-on/At reset/STOP → RUN 	<ul style="list-style-type: none"> • Check the network parameters and actual mounting status, and if they differ, make them matched. If any of the network parameters is corrected, write it to the CPU module. • Check the set number of extension base units. • Check the connection status of the extension base units and extension cables. Check the connection of the GOT if it is bus-connected to the main base unit or extension base unit. • Set the mode switch of MELSECNET/H module within the range. <p>If an error occurs even after taking the above measures, the cause is a hardware failure. Please consult your local Mitsubishi representative.</p>		QCPU
	<p>[LINK PARA. ERROR] A CC-Link IE module with a version that does not support items set in the network parameter is mounted/connected.</p> <p>■Collateral information</p> <ul style="list-style-type: none"> • Common information: File name/Drive name • Individual information: Parameter number <p>■Diagnostic timing</p> <ul style="list-style-type: none"> • At power-on/At reset/STOP → RUN 	<ul style="list-style-type: none"> • Read the individual information of the error using the programming tool to identify the numeric value (parameter No.). Check the parameters corresponding to the value, and correct them as necessary. • Mount/connect a CC-Link IE module with a version that supports items set in the network parameter. 		QnU LCPU

Error code	Error and cause	Corrective action	LED status, CPU status	Corresponding CPU
3101	<p>[LINK PARA. ERROR] The link refresh range exceeded the file register capacity.</p> <p>■Collateral information</p> <ul style="list-style-type: none"> • Common information: File name/Drive name • Individual information: Parameter number <p>■Diagnostic timing</p> <ul style="list-style-type: none"> • When an END instruction or a COM instruction executed 	<ul style="list-style-type: none"> • Change the file register file for the one that the entire target range can be refreshed. • Increase the capacity of the file register, or reduce the link refresh range. 	RUN: Off ERR.:Flashing CPU Status:Stop	Qn(H) QnPH QnPRH QnU LCPU
	<p>[LINK PARA. ERROR]</p> <ul style="list-style-type: none"> • When the station number of the MELSECNET/H module is 0, the PLC-to-PLC network parameter has been set. • When the station number of the MELSECNET/H module is other than 0, the remote master parameter setting has been made. <p>■Collateral information</p> <ul style="list-style-type: none"> • Common information: File name/Drive name • Individual information: Parameter number <p>■Diagnostic timing</p> <ul style="list-style-type: none"> • At power-on/At reset/STOP → RUN 	Correct the type or station number of the MELSECNET/H module in the network parameter to meet the used system.		Qn(H) QnPH QnPRH QnU
	<p>[LINK PARA. ERROR] The refresh parameter for the CC-Link IE module is outside the range.</p> <p>■Collateral information</p> <ul style="list-style-type: none"> • Common information: File name/Drive name • Individual information: Parameter number <p>■Diagnostic timing</p> <ul style="list-style-type: none"> • At power-on/At reset/STOP → RUN 	Set the refresh parameter within the range of device setting.		Qn(H) QnPH QnPRH QnU LCPU
	<p>[LINK PARA. ERROR]</p> <ul style="list-style-type: none"> • The refresh parameter of MELSECNET/H and MELSECNET/10 is outside the setting range. • The setting of the network refresh range crosses over the boundary between the internal user device and the extended data register (D) or extended link register (W). <p>■Collateral information</p> <ul style="list-style-type: none"> • Common information: File name/Drive name • Individual information: Parameter number <p>■Diagnostic timing</p> <ul style="list-style-type: none"> • At power-on/At reset/STOP → RUN 	<ul style="list-style-type: none"> • Set the refresh parameter within the range of device setting. • Set the network refresh range so that it does not cross over the boundary between the internal user device and the extended data register (D) or extended link register (W). 		QCPU
	<p>[LINK PARA. ERROR] A multi-remote I/O network was configured using a module that does not support the MELSECNET/H multi-remote I/O network.</p> <p>■Collateral information</p> <ul style="list-style-type: none"> • Common information: File name/Drive name • Individual information: Parameter number <p>■Diagnostic timing</p> <ul style="list-style-type: none"> • At power-on/At reset/STOP → RUN 	Use a module that supports the MELSECNET/H multi-remote I/O network.		QnPH
	<p>[LINK PARA. ERROR]</p> <ul style="list-style-type: none"> • The system A of the MELSECNET/H remote master station has been set to other than Station No. 0. • The system B of the MELSECNET/H remote master station has been set to Station No. 0. <p>■Collateral information</p> <ul style="list-style-type: none"> • Common information: File name/Drive name • Individual information: Parameter number <p>■Diagnostic timing</p> <ul style="list-style-type: none"> • At power-on/At reset/STOP → RUN 	<ul style="list-style-type: none"> • Set the system A of the MELSECNET/H remote master station to Station No. 0. • Set the system B of the MELSECNET/H remote master station to any of Station No. 1 to 64. 		QnPRH

A

 Appendix 1 Error Codes
 Appendix 1.5 List of error codes (3000 to 3999)

Error code	Error and cause	Corrective action	LED status, CPU status	Corresponding CPU																
3101	<p>[LINK PARA. ERROR] Since the number of points of the B/W device set in [Device] of the PLC parameter is lower than the number of B/W refresh device points shown in the following table when parameters of the MELSECNET/H are not set, the refresh between the CPU module and the MELSECNET/H cannot be performed.</p> <table border="1"> <thead> <tr> <th>Refresh device</th> <th>No. of refresh device points of B device</th> <th>No. of refresh device points of W device</th> </tr> </thead> <tbody> <tr> <td rowspan="4">No. of mounted network modules</td> <td>1</td> <td>8192 points (8192 points×1 module)</td> <td>8192 points (8192 points×1 module)</td> </tr> <tr> <td>2</td> <td>8192 points (4096 points×2 modules)</td> <td>8192 points (4096 points×2 modules)</td> </tr> <tr> <td>3</td> <td>6144 points (2048 points×3 modules)</td> <td>6144 points (2048 points×3 modules)</td> </tr> <tr> <td>4</td> <td>8192 points (2048 points×4 modules)</td> <td>8192 points (2048 points×4 modules)</td> </tr> </tbody> </table> <p>■Collateral information • Common information: File name/Drive name • Individual information: Parameter number</p> <p>■Diagnostic timing • At power-on/At reset/STOP → RUN</p>	Refresh device	No. of refresh device points of B device	No. of refresh device points of W device	No. of mounted network modules	1	8192 points (8192 points×1 module)	8192 points (8192 points×1 module)	2	8192 points (4096 points×2 modules)	8192 points (4096 points×2 modules)	3	6144 points (2048 points×3 modules)	6144 points (2048 points×3 modules)	4	8192 points (2048 points×4 modules)	8192 points (2048 points×4 modules)	<p>Set the refresh parameter of the MELSECNET/H in accordance with the number of points of B/W devices set in [Device] of the PLC parameter.</p>	<p>RUN: Off ERR.:Flashing CPU Status:Stop</p>	<p>Qn(H) QnPH QnPRH QnU</p>
	Refresh device	No. of refresh device points of B device	No. of refresh device points of W device																	
No. of mounted network modules	1	8192 points (8192 points×1 module)	8192 points (8192 points×1 module)																	
	2	8192 points (4096 points×2 modules)	8192 points (4096 points×2 modules)																	
	3	6144 points (2048 points×3 modules)	6144 points (2048 points×3 modules)																	
	4	8192 points (2048 points×4 modules)	8192 points (2048 points×4 modules)																	
<p>[LINK PARA. ERROR] The setting of the network refresh range crosses over the boundary between the internal user device and the extended data register (D) or extended link register (W).</p> <p>■Collateral information • Common information: File name/Drive name • Individual information: Parameter number</p> <p>■Diagnostic timing • At power-on/At reset/STOP → RUN</p>	<p>Set the network refresh range so that it does not cross over the boundary between the internal user device and the extended data register (D) or extended link register (W).</p>		<p>QnU LCPU</p>																	

Error code	Error and cause	Corrective action	LED status, CPU status	Corresponding CPU
3102	<p>[LINK PARA. ERROR] A CC-Link IE module parameter error was detected.</p> <p>■Collateral information</p> <ul style="list-style-type: none"> • Common information: File name/Drive name • Individual information: Parameter number <p>■Diagnostic timing</p> <ul style="list-style-type: none"> • At power-on/At reset/STOP → RUN 	<ul style="list-style-type: none"> • Correct and write the network parameters. • If an error occurs again even after it is corrected, the cause is a hardware failure. Please consult your local Mitsubishi representative. 	RUN: Off ERR.:Flashing CPU Status:Stop	Qn(H) QnPH QnPRH QnU LCPU
	<p>[LINK PARA. ERROR]</p> <ul style="list-style-type: none"> • The network module detected a network parameter error. • A MELSECNET/H network parameter error was detected. <p>■Collateral information</p> <ul style="list-style-type: none"> • Common information: File name/Drive name • Individual information: Parameter number <p>■Diagnostic timing</p> <ul style="list-style-type: none"> • At power-on/At reset/STOP → RUN 			QCPU
	<p>[LINK PARA. ERROR] The station No. specified in pairing setting are not correct.</p> <ul style="list-style-type: none"> • The stations are not numbered consecutively. • Pairing setting has not been made for the CPU module at the normal station. <p>■Collateral information</p> <ul style="list-style-type: none"> • Common information: File name/Drive name • Individual information: Parameter number <p>■Diagnostic timing</p> <ul style="list-style-type: none"> • At power-on/At reset/STOP → RUN 	Refer to the troubleshooting of the network module, and if the error is due to incorrect pairing setting, reexamine the pairing setting of the network parameter.		QnPRH
	<p>[LINK PARA. ERROR] The CC-Link IE Controller Network module whose first 5 digits of serial No. is "09041" or earlier is mounted.</p> <p>■Collateral information</p> <ul style="list-style-type: none"> • Common information: File name/Drive name • Individual information: Parameter number <p>■Diagnostic timing</p> <ul style="list-style-type: none"> • At power-on/At reset/STOP → RUN 	Mount the CC-Link IE Controller Network module whose first 5 digits of serial No. is "09042" or later.		QnU
	<p>[LINK PARA. ERROR]</p> <ul style="list-style-type: none"> • Different network types are set between the control station and the normal station (CC IE Control Ext. Mode/Normal Mode). • The parameter in which "CC IE Control Ext. Mode" is set for "Network Type" was transferred to the CPU module that does not support the send points expansion function. • The parameter in which "CC IE Control Ext. Mode" is set was backed up to a memory card or GOT and then restored to the CPU module that does not support the send points expansion function. <p>■Collateral information</p> <ul style="list-style-type: none"> • Common information: File name/Drive name • Individual information: Parameter number <p>■Diagnostic timing</p> <ul style="list-style-type: none"> • At power-on/At reset/STOP → RUN 	<ul style="list-style-type: none"> • Set the same network type (CC IE Control Ext. Mode/Normal Mode) for the control station and the normal station. • Do not use the parameter in which "CC IE Control Ext. Mode" is set for "Network Type" for the CPU module that does not support the send points expansion function. Or, use the CPU module and the CC-Link IE Controller Network module that support the send points expansion function in the same network. 		QnU

A

 Appendix 1 Error Codes
 Appendix 1.5 List of error codes (3000 to 3999)

Error code	Error and cause	Corrective action	LED status, CPU status	Corresponding CPU
3102	<p>[LINK PARA. ERROR] Group cyclic function in CC-Link IE Controller Network that does not correspond to group cyclic function is set.</p> <p>■Collateral information</p> <ul style="list-style-type: none"> • Common information: File name/Drive name • Individual information: Parameter number <p>■Diagnostic timing</p> <ul style="list-style-type: none"> • At power-on/At reset/STOP → RUN 	Set group cyclic function in function version D or later of CC-Link IE Controller Network.	RUN: Off ERR.:Flashing CPU Status:Stop	QnU
	<p>[LINK PARA. ERROR] Pairing setting in CC-Link IE Controller Network modules installed in CPUs except for redundant CPUs was performed.</p> <p>■Collateral information</p> <ul style="list-style-type: none"> • Common information: File name/Drive name • Individual information: Parameter number <p>■Diagnostic timing</p> <ul style="list-style-type: none"> • At power-on/At reset/STOP → RUN 	Examine the pairing setting for the network parameter in the control station.	RUN: Off ERR.:Flashing CPU Status:Stop	Q00J/Q00/Q01 Qn(H) QnPH QnU
	<p>[LINK PARA. ERROR] A CC-Link IE module with a version that does not support items set in the network parameter is mounted/connected.</p> <p>■Collateral information</p> <ul style="list-style-type: none"> • Common information: File name/Drive name • Individual information: Parameter number <p>■Diagnostic timing</p> <ul style="list-style-type: none"> • At power-on/At reset/STOP → RUN 	<ul style="list-style-type: none"> • Correct and write the network parameters. • Mount/connect a CC-Link IE module with a version that supports items set in the network parameter. 	RUN: Off ERR.:Flashing CPU Status:Stop	QnU
	<p>[LINK PARA. ERROR]</p> <ul style="list-style-type: none"> • LB/LW own station send range at LB/LW4000 or later was set. • LB/LW setting (2) was performed. <p>■Collateral information</p> <ul style="list-style-type: none"> • Common information: File name/Drive name • Individual information: Parameter number <p>■Diagnostic timing</p> <ul style="list-style-type: none"> • At power-on/At reset/STOP → RUN 	Correct the network range assignments of the network parameter for the control station.	RUN: Off ERR.:Flashing CPU Status:Stop	Q00J/Q00/Q01

Error code	Error and cause	Corrective action	LED status, CPU status	Corresponding CPU
3103	<p>[LINK PARA. ERROR] In a multiple CPU system, Ethernet interface module under control of another station is specified to the start I/O number of the Ethernet network parameter.</p> <p>■Collateral information</p> <ul style="list-style-type: none"> • Common information: File name/Drive name • Individual information: Parameter number <p>■Diagnostic timing</p> <ul style="list-style-type: none"> • At power-on/At reset/STOP → RUN 	<ul style="list-style-type: none"> • Delete the Ethernet network parameter of Ethernet interface module under control of another station. • Change the setting to the start I/O number of Ethernet interface module under control of the host station. 	<p>RUN: Off ERR.:Flashing</p> <p>CPU Status:Stop</p>	<p>Q00/Q01 Qn(H) QnPH QnU</p>
	<p>[LINK PARA. ERROR]</p> <ul style="list-style-type: none"> • Although the number of modules has been set to one or greater number in the Ethernet module count parameter setting, the number of actually mounted module is zero. • The start I/O No. of the Ethernet network parameter differs from the I/O No. of the actually mounted module. <p>■Collateral information</p> <ul style="list-style-type: none"> • Common information: File name/Drive name • Individual information: Parameter number <p>■Diagnostic timing</p> <ul style="list-style-type: none"> • At power-on/At reset/STOP → RUN 	<ul style="list-style-type: none"> • Correct and write the network parameters. • If an error occurs again even after it is corrected, the cause is a hardware failure. Please consult your local Mitsubishi representative. 		<p>QCPU LCPU</p>
	<p>[LINK PARA. ERROR]</p> <ul style="list-style-type: none"> • In the redundant system, although "Ethernet (Main base)" is selected for Network type, the Ethernet module is mounted on the extension base unit. • In the redundant system, although "Ethernet (Extension base)" is selected for Network type, the Ethernet module is mounted on the main base unit. <p>■Collateral information</p> <ul style="list-style-type: none"> • Common information: File name/Drive name • Individual information: Parameter number <p>■Diagnostic timing</p> <ul style="list-style-type: none"> • At power-on/At reset/STOP → RUN 			<p>QnPRH</p>
3104	<p>[LINK PARA. ERROR]</p> <ul style="list-style-type: none"> • The Ethernet, MELSECNET/H and MELSECNET/10 use the same network number. • The network number, station number or group number set in the network parameter is out of range. • The specified I/O number is outside the range of the used CPU module. • The Ethernet parameter settings are incorrect. <p>■Collateral information</p> <ul style="list-style-type: none"> • Common information: File name/Drive name • Individual information: Parameter number <p>■Diagnostic timing</p> <ul style="list-style-type: none"> • At power-on/At reset/STOP → RUN 	<ul style="list-style-type: none"> • Correct and write the network parameters. • If an error occurs again even after it is corrected, the cause is a hardware failure. Please consult your local Mitsubishi representative. 	<p>RUN: Off ERR.:Flashing</p> <p>CPU Status:Stop</p>	<p>QCPU</p>
	<p>[LINK PARA. ERROR]</p> <ul style="list-style-type: none"> • The network number, station number or group number of the Ethernet module set in the network parameter is out of range. • The start I/O number of the Ethernet module set in the network parameter is out of range. • The Ethernet parameter settings are incorrect. <p>■Collateral information</p> <ul style="list-style-type: none"> • Common information: File name/Drive name • Individual information: Parameter number <p>■Diagnostic timing</p> <ul style="list-style-type: none"> • At power-on/At reset/STOP → RUN 			<p>LCPU</p>

A

Appendix 1 Error Codes
Appendix 1.5 List of error codes (3000 to 3999)

Error code	Error and cause	Corrective action	LED status, CPU status	Corresponding CPU
3105	<p>[LINK PARA. ERROR] In a multiple CPU system, the CC-Link module under control of another station is specified as the start I/O number of the CC-Link network parameter.</p> <p>■Collateral information</p> <ul style="list-style-type: none"> • Common information: File name/Drive name • Individual information: Parameter number <p>■Diagnostic timing</p> <ul style="list-style-type: none"> • At power-on/At reset/STOP → RUN 	<ul style="list-style-type: none"> • Delete the CC-Link network parameter of the CC-Link module under control of another station. • Change the setting to the start I/O number of the CC-Link module under control of the host station. 	<p>RUN: Off ERR.:Flashing CPU Status:Stop</p>	<p>Q00/Q01 Qn(H) QnPH QnU</p>
	<p>[LINK PARA. ERROR]</p> <ul style="list-style-type: none"> • Although one or more CC-Link modules were configured in "Network Parameter", no CC-Link modules are installed in the system. The start I/O number in the common parameters is different from that of the actually mounted module. • The station type of the CC-Link module count setting parameters is different from that of the actually mounted station. <p>■Collateral information</p> <ul style="list-style-type: none"> • Common information: File name/Drive name • Individual information: Parameter number <p>■Diagnostic timing</p> <ul style="list-style-type: none"> • At power-on/At reset/STOP → RUN 	<ul style="list-style-type: none"> • Correct and write the network parameters. • If an error occurs again even after it is corrected, the cause is a hardware failure. Please consult your local Mitsubishi representative. 		<p>QCPU L02SCPU L02SCPU-P L02CPU L02CPU-P L06CPU L06CPU-P L26CPU L26CPU-P</p>
	<p>[LINK PARA. ERROR]</p> <ul style="list-style-type: none"> • Although two or more CC-Link modules were configured in "Network Parameter", only one CC-Link modules are installed in the system. The start I/O number of the common parameter specified in "Network Parameter" does not correspond to the system. • The station type specified in the Network Parameter dialog box for CC-Link does not correspond to the system. <p>■Collateral information</p> <ul style="list-style-type: none"> • Common information: File name/Drive name • Individual information: Parameter number <p>■Diagnostic timing</p> <ul style="list-style-type: none"> • At power-on/At reset/STOP → RUN 			<p>L26CPU-BT L26CPU-PBT</p>
	<p>[LINK PARA. ERROR]</p> <ul style="list-style-type: none"> • CC-Link module whose station type is set to "master station (compatible with redundant function)" is mounted on the extension base unit in the redundant system. • CC-Link module whose station type is set to "master station (extension base)" is mounted on the main base unit in the redundant system. <p>■Collateral information</p> <ul style="list-style-type: none"> • Common information: File name/Drive name • Individual information: Parameter number <p>■Diagnostic timing</p> <ul style="list-style-type: none"> • At power-on/At reset/STOP → RUN 			<p>QnPRH</p>

Error code	Error and cause	Corrective action	LED status, CPU status	Corresponding CPU
3106	<p>[LINK PARA. ERROR] The CC-Link link refresh range exceeded the file register capacity.</p> <p>■Collateral information</p> <ul style="list-style-type: none"> • Common information: File name/Drive name • Individual information: Parameter number <p>■Diagnostic timing</p> <ul style="list-style-type: none"> • At power-on/At reset/STOP → RUN/When an END instruction or a COM instruction executed 	Change the file register file for the one that the entire target range can be refreshed.	RUN: Off ERR.:Flashing CPU Status:Stop	Qn(H) QnPH QnPRH QnU LCPU
	<p>[LINK PARA. ERROR] The network refresh parameter for CC-Link is out of range.</p> <p>■Collateral information</p> <ul style="list-style-type: none"> • Common information: File name • Individual information: Parameter number <p>■Diagnostic timing</p> <ul style="list-style-type: none"> • At power-on/At reset/STOP → RUN/When an END instruction or a COM instruction executed 	Check the parameter setting.		QCPU LCPU
	<p>[LINK PARA. ERROR] The setting of the network refresh range crosses over the boundary between the internal user device and the extended data register (D) or extended link register (W).</p> <p>■Collateral information</p> <ul style="list-style-type: none"> • Common information: File name • Individual information: Parameter number <p>■Diagnostic timing</p> <ul style="list-style-type: none"> • At power-on/At reset/STOP → RUN 	Set the network refresh range so that it does not cross over the boundary between the internal user device and the extended data register (D) or extended link register (W).		QnU LCPU
3107	<p>[LINK PARA. ERROR]</p> <ul style="list-style-type: none"> • The CC-Link parameter setting is incorrect. • The set mode is not allowed for the version of the mounted CC-Link module. <p>■Collateral information</p> <ul style="list-style-type: none"> • Common information: File name • Individual information: Parameter number <p>■Diagnostic timing</p> <ul style="list-style-type: none"> • At power-on/At reset/STOP → RUN 	Check the parameter setting.	RUN: Off ERR.:Flashing CPU Status:Stop	QCPU LCPU
3150	<p>[LINK PARA. ERROR]</p> <ul style="list-style-type: none"> • When the CC-Link IE Field Network is used, the network number set in "Network Parameter" and "Switch Setting" is duplicated. • No "Network Parameter" and "Switch Setting" are configured, or the CC-Link IE Field Network module with an incorrect switch setting is mounted. <p>■Collateral information</p> <ul style="list-style-type: none"> • Common information: File name/Drive name • Individual information: Parameter number <p>■Diagnostic timing</p> <ul style="list-style-type: none"> • At power-on/At reset 	<ul style="list-style-type: none"> • Check the parameter setting. • Configure "Network Parameter" and "Switch Setting", and then write network parameters and the switch setting to the module. 	RUN: Off ERR.:Flashing CPU Status:Stop	QnU LCPU
3200	<p>[SFC PARA. ERROR]</p> <ul style="list-style-type: none"> • The parameter setting is illegal. • The block 0 does not exist although "Autostart Block 0" was selected in the SFC tab in "PLC Parameter". <p>■Collateral information</p> <ul style="list-style-type: none"> • Common information: File name/Drive name • Individual information: Parameter number <p>■Diagnostic timing</p> <ul style="list-style-type: none"> • STOP → RUN 	Read the individual information of the error using the programming tool to identify the numeric value (parameter No.). Check the parameters corresponding to the value, and correct them as necessary.	RUN: Off ERR.:Flashing CPU Status:Stop	Q00J/Q00/Q01 Qn(H) QnPH QnPRH QnU LCPU
3201	<p>[SFC PARA. ERROR] The block parameter setting is illegal.</p> <p>■Collateral information</p> <ul style="list-style-type: none"> • Common information: File name • Individual information: Parameter number <p>■Diagnostic timing</p> <ul style="list-style-type: none"> • STOP → RUN 	Read the individual information of the error using the programming tool to identify the numeric value (parameter No.). Check the parameters corresponding to the value, and correct them as necessary.	RUN: Off ERR.:Flashing CPU Status:Stop	Qn(H) QnPH QnPRH

A

Error code	Error and cause	Corrective action	LED status, CPU status	Corresponding CPU
3202	<p>[SFC PARA. ERROR] The number of step relays specified in the device setting of "PLC Parameter" is less than that used in the program.</p> <p>■Collateral information</p> <ul style="list-style-type: none"> • Common information: File name • Individual information: Parameter number <p>■Diagnostic timing</p> <ul style="list-style-type: none"> • STOP → RUN 	Read the individual information of the error using the programming tool to identify the numeric value (parameter No.). Check the parameters corresponding to the value, and correct them as necessary.	RUN: Off ERR.:Flashing CPU Status:Stop	Qn(H) QnPH QnPRH
3203	<p>[SFC PARA. ERROR] Other than "Scan" and "Wait" is set for "Execute Type" in the Program tab of "PLC Parameter".</p> <p>■Collateral information</p> <ul style="list-style-type: none"> • Common information: File name/Drive name • Individual information: Parameter number <p>■Diagnostic timing</p> <ul style="list-style-type: none"> • At power-on/At reset/STOP → RUN² 	Read the individual information of the error using the programming tool to identify the numeric value (parameter No.). Check the parameters corresponding to the value, and correct them as necessary.	RUN: Off ERR.:Flashing CPU Status:Stop	Qn(H) QnPH QnPRH QnU LCPU
3300	<p>[SP. PARA ERROR] The start I/O number in the intelligent function module parameter set on GX Configurator differs from the actual I/O number.</p> <p>■Collateral information</p> <ul style="list-style-type: none"> • Common information: File name/Drive name • Individual information: Parameter number^{*1} <p>■Diagnostic timing</p> <ul style="list-style-type: none"> • At power-on/At reset/STOP → RUN 	Check the parameter setting.	RUN: Off ERR.:Flashing CPU Status:Stop	QCPU LCPU
3301	<p>[SP. PARA ERROR]</p> <ul style="list-style-type: none"> • The refresh setting of the intelligent function module exceeded the file register capacity. • The intelligent function module set in GX Configurator differs from the actually mounted module. <p>■Collateral information</p> <ul style="list-style-type: none"> • Common information: File name/Drive name • Individual information: Parameter number^{*1} <p>■Diagnostic timing</p> <ul style="list-style-type: none"> • When an END instruction or a COM instruction executed 	<ul style="list-style-type: none"> • Change the file register file for the one that the entire target range can be refreshed. • Check the parameter setting. • Check the auto refresh setting. 	RUN: Off ERR.:Flashing CPU Status:Stop	Q00J/Q00/Q01 Qn(H) QnPH QnPRH QnU LCPU
	<p>[SP. PARA ERROR] The intelligent function module's refresh parameter setting is outside the available range.</p> <p>■Collateral information</p> <ul style="list-style-type: none"> • Common information: File name/Drive name • Individual information: Parameter number^{*1} <p>■Diagnostic timing</p> <ul style="list-style-type: none"> • When an END instruction or a COM instruction executed 	<ul style="list-style-type: none"> • Check the parameter setting. • Check the auto refresh setting. 		QCPU LCPU
	<p>[SP. PARA ERROR] The setting of the refresh parameter range crosses over the boundary between the internal user device and the extended data register (D) or extended link register (W).</p> <p>■Collateral information</p> <ul style="list-style-type: none"> • Common information: File name/Drive name • Individual information: Parameter number^{*1} <p>■Diagnostic timing</p> <ul style="list-style-type: none"> • When an END instruction or a COM instruction executed 	Set the refresh parameter range so that it does not cross over the boundary between the internal user device and the extended data register (D) or extended link register (W).		QnU LCPU
3302	<p>[SP. PARA ERROR] The intelligent function module's refresh parameter are abnormal.</p> <p>■Collateral information</p> <ul style="list-style-type: none"> • Common information: File name/Drive name • Individual information: Parameter number^{*1} <p>■Diagnostic timing</p> <ul style="list-style-type: none"> • At power-on/At reset/STOP → RUN 	Check the parameter setting.	RUN: Off ERR.:Flashing CPU Status:Stop	QCPU LCPU

Error code	Error and cause	Corrective action	LED status, CPU status	Corresponding CPU
3303	<p>[SP. PARA ERROR] In a multiple CPU system, the automatic refresh setting or other parameter setting was made to the intelligent function module under control of another station.</p> <p>■Collateral information</p> <ul style="list-style-type: none"> • Common information: File name/Drive name • Individual information: Parameter number <p>■Diagnostic timing</p> <ul style="list-style-type: none"> • At power-on/At reset/STOP → RUN 	<ul style="list-style-type: none"> • Delete the automatic refresh setting or other parameter setting of the intelligent function module under control of another CPU. • Change the setting to the automatic refresh setting or other parameter setting of the intelligent function module under control of the host CPU. 	<p>RUN: Off</p> <p>ERR.:Flashing</p> <p>CPU Status:Stop</p>	<p>Q00/Q01</p> <p>Qn(H)</p> <p>QnPH</p> <p>QnU</p>
3400	<p>[REMOTE PASS. ERR.] The start I/O number of the remote password target module is set to other than 0_H to 0FF0_H.</p> <p>■Collateral information</p> <ul style="list-style-type: none"> • Common information: - • Individual information: - <p>■Diagnostic timing</p> <ul style="list-style-type: none"> • At power-on/At reset/STOP → RUN 	Set the start I/O number within the range, 0 _H to 0FF0 _H .	<p>RUN: Off</p> <p>ERR.:Flashing</p> <p>CPU Status:Stop</p>	<p>Qn(H)</p> <p>QnPH</p> <p>QnPRH</p> <p>QnU</p>
	<p>[REMOTE PASS. ERR.] The start I/O number of the remote password target module is set to other than 0_H to 07E0_H.</p> <p>■Collateral information</p> <ul style="list-style-type: none"> • Common information: - • Individual information: - <p>■Diagnostic timing</p> <ul style="list-style-type: none"> • At power-on/At reset/STOP → RUN 	Set the start I/O number within the range, 0 _H to 07E0 _H .		<p>Q02UCPU</p>
	<p>[REMOTE PASS. ERR.] The start I/O number of the remote password target module is not in the following range.</p> <ul style="list-style-type: none"> • Q00JCPU: 0_H to 1E0_H • Q00CPU/Q01CPU: 0_H to 3E0_H <p>■Collateral information</p> <ul style="list-style-type: none"> • Common information: - • Individual information: - <p>■Diagnostic timing</p> <ul style="list-style-type: none"> • At power-on/At reset/STOP → RUN 	Set the start I/O number within the following range.		<p>Q00J/Q00/Q01</p>
	<p>[REMOTE PASS. ERR.] The start I/O number of the remote password target module is out of range.</p> <p>■Collateral information</p> <ul style="list-style-type: none"> • Common information: - • Individual information: - <p>■Diagnostic timing</p> <ul style="list-style-type: none"> • At power-on/At reset/STOP → RUN 	Correct the start I/O number.		<p>LCPU</p>

A

Error code	Error and cause	Corrective action	LED status, CPU status	Corresponding CPU
3401	<p>[REMOTE PASS. ERR.] There is a problem in the slot specified by the start I/O number of the remote password target module:</p> <ul style="list-style-type: none"> • No module is mounted. • A module (such as I/O module) other than intelligent function modules is mounted. • An intelligent function module other than a serial communication module or Ethernet module is mounted. • The function version of a serial communication module or Ethernet module mounted is A. • An intelligent function module that does not support the use of remote password is mounted. <p>■Collateral information</p> <ul style="list-style-type: none"> • Common information: - • Individual information: - <p>■Diagnostic timing</p> <ul style="list-style-type: none"> • At power-on/At reset/STOP → RUN 	<p>Mount the following modules in the slot specified by the start I/O number of the remote password target module.</p> <ul style="list-style-type: none"> • Serial communication module whose function version B or later • Ethernet module whose function version B or later 		<p>Qn(H) QnPH QnPRH QnU</p>
	<p>[REMOTE PASS. ERR.] There is a problem in the slot specified by the start I/O number of the remote password target module:</p> <ul style="list-style-type: none"> • No module is mounted. • An intelligent function module other than a serial communication module or Ethernet module is mounted. <p>■Collateral information</p> <ul style="list-style-type: none"> • Common information: - • Individual information: - <p>■Diagnostic timing</p> <ul style="list-style-type: none"> • At power-on/At reset/STOP → RUN 	<p>Mount an intelligent function module that supports the use of remote password in the specified slot.</p>	<p>RUN: Off ERR.:Flashing CPU Status:Stop</p>	<p>LCPU</p>
	<p>[REMOTE PASS. ERR.] Any of the following modules is not mounted in the slot specified by the start I/O number of the remote password target module.</p> <ul style="list-style-type: none"> • Serial communication module whose function version B or later • Ethernet module whose function version B or later <p>■Collateral information</p> <ul style="list-style-type: none"> • Common information: - • Individual information: - <p>■Diagnostic timing</p> <ul style="list-style-type: none"> • At power-on/At reset/STOP → RUN 	<p>Mount the following modules in the slot specified by the start I/O number of the remote password target module.</p> <ul style="list-style-type: none"> • Serial communication module whose function version B or later • Ethernet module whose function version B or later 		<p>Q00J/Q00/Q01</p>
	<p>[REMOTE PASS. ERR.] Serial communication module or Ethernet module of function version B or later controlled by another CPU was specified in a multiple CPU system.</p> <p>■Collateral information</p> <ul style="list-style-type: none"> • Common information: - • Individual information: - <p>■Diagnostic timing</p> <ul style="list-style-type: none"> • At power-on/At reset/STOP → RUN 	<ul style="list-style-type: none"> • Change it for the Ethernet module of function version B or later connected by the host CPU. • Delete the remote password setting. 		<p>Qn(H) QnPH QnU</p>

*1 The parameter No. will be the number obtained by the formula: "start I/O number of the intelligent function module set in parameter using GX Configurator" ÷ 10_H.

*2 The diagnostic timing of CPU modules other than the Universal model QCPU and LCPU is only when the status of the CPU module is switched from STOP to RUN.

Appendix 1.6 List of error codes (4000 to 4999)

The following table shows the error messages, the error contents and causes, and the corrective actions for the error codes (4000 to 4999).

Error code	Error and cause	Corrective action	LED status, CPU status	Corresponding CPU
4000	[INSTRCT. CODE ERR] <ul style="list-style-type: none"> The program contains an instruction code that cannot be decoded. An unusable instruction is included in the program. ■Collateral information <ul style="list-style-type: none"> Common information: Program error location Individual information: - ■Diagnostic timing <ul style="list-style-type: none"> At power-on/At reset/STOP → RUN/When instruction executed When instruction executed (SFC program) 	Read common information of the error using the programming tool to identify the numeric value (program error location). Check the error step corresponding to the value, and correct it as necessary.	RUN: Off ERR.:Flashing CPU Status:Stop	QCPU
	[INSTRCT. CODE ERR] <ul style="list-style-type: none"> The program contains an instruction code that cannot be decoded. An unusable instruction is included in the program. The number of pointers used exceeds the number of pointers set by the parameter. ■Collateral information <ul style="list-style-type: none"> Common information: Program error location Individual information: - ■Diagnostic timing <ul style="list-style-type: none"> At power-on/At reset/STOP → RUN/When instruction executed When instruction executed (SFC program) 			LCPU
4001	[INSTRCT. CODE ERR] <p>The program contains a dedicated instruction for SFC although it is not an SFC program.</p> ■Collateral information <ul style="list-style-type: none"> Common information: Program error location Individual information: - ■Diagnostic timing <ul style="list-style-type: none"> At power-on/At reset/STOP → RUN/When instruction executed 	Read common information of the error using the programming tool to identify the numeric value (program error location). Check the error step corresponding to the value, and correct it as necessary.	RUN: Off ERR.:Flashing CPU Status:Stop	Q00J/Q00/Q01 Qn(H) QnPH QnPRH QnU LCPU
4002	[INSTRCT. CODE ERR] <ul style="list-style-type: none"> The name of dedicated instruction specified by the program is incorrect. The dedicated instruction specified by the program cannot be executed by the specified module. ■Collateral information <ul style="list-style-type: none"> Common information: Program error location Individual information: - ■Diagnostic timing <ul style="list-style-type: none"> At power-on/At reset/STOP → RUN/When instruction executed When instruction executed (SFC program) 	Read common information of the error using the programming tool to identify the numeric value (program error location). Check the error step corresponding to the value, and correct it as necessary.	RUN: Off ERR.:Flashing CPU Status:Stop	QCPU LCPU
4003	[INSTRCT. CODE ERR] <p>The number of devices for the dedicated instruction specified by the program is incorrect.</p> ■Collateral information <ul style="list-style-type: none"> Common information: Program error location Individual information: - ■Diagnostic timing <ul style="list-style-type: none"> At power-on/At reset/STOP → RUN/When instruction executed When instruction executed (SFC program) 	Read common information of the error using the programming tool to identify the numeric value (program error location). Check the error step corresponding to the value, and correct it as necessary.	RUN: Off ERR.:Flashing CPU Status:Stop	QCPU LCPU

A

Appendix 1 Error Codes
Appendix 1.6 List of error codes (4000 to 4999)

Error code	Error and cause	Corrective action	LED status, CPU status	Corresponding CPU
4004	<p>[INSTRCT. CODE ERR] The device which cannot be used by the dedicated instruction specified by the program is specified.</p> <p>■Collateral information</p> <ul style="list-style-type: none"> • Common information: Program error location • Individual information: - <p>■Diagnostic timing</p> <ul style="list-style-type: none"> • At power-on/At reset/STOP → RUN/When instruction executed • When instruction executed (SFC program) 	Read common information of the error using the programming tool to identify the numeric value (program error location). Check the error step corresponding to the value, and correct it as necessary.	RUN: Off ERR.:Flashing CPU Status:Stop	QCPU LCPU
4010	<p>[MISSING END INS.] There is no END (FEND) instruction in the program.</p> <p>■Collateral information</p> <ul style="list-style-type: none"> • Common information: Program error location • Individual information: - <p>■Diagnostic timing</p> <ul style="list-style-type: none"> • At power-on/At reset/STOP → RUN 	Read common information of the error using the programming tool to identify the numeric value (program error location). Check the error step corresponding to the value, and correct it as necessary.	RUN: Off ERR.:Flashing CPU Status:Stop	QCPU LCPU
4020	<p>[CAN'T SET(P)]</p> <ul style="list-style-type: none"> • The total points of the pointers used in the program exceeded 4096 points. • The total points of the local pointers used in the program exceeded the start number of the common pointer. <p>■Collateral information</p> <ul style="list-style-type: none"> • Common information: Program error location • Individual information: - <p>■Diagnostic timing</p> <ul style="list-style-type: none"> • At power-on/At reset/STOP → RUN 	Read common information of the error using the programming tool to identify the numeric value (program error location). Check the error step corresponding to the value, and correct it as necessary.	RUN: Off ERR.:Flashing CPU Status:Stop	Qn(H) QnPH QnPRH QnU LCPU
	<p>[CAN'T SET(P)]</p> <ul style="list-style-type: none"> • The total points of the pointers used in the program exceeded 512 points. • The total points of the local pointers used in the program exceeded the start number of the common pointer. <p>■Collateral information</p> <ul style="list-style-type: none"> • Common information: Program error location • Individual information: - <p>■Diagnostic timing</p> <ul style="list-style-type: none"> • At power-on/At reset/STOP → RUN 			Q00UJ/Q00U/Q01 U
4021	<p>[CAN'T SET(P)] The same pointer number is assigned to common pointers or local pointers assigned to each file.</p> <p>■Collateral information</p> <ul style="list-style-type: none"> • Common information: Program error location • Individual information: - <p>■Diagnostic timing</p> <ul style="list-style-type: none"> • At power-on/At reset/STOP → RUN 	Read common information of the error using the programming tool to identify the numeric value (program error location). Check the error step corresponding to the value, and correct it as necessary.	RUN: Off ERR.:Flashing CPU Status:Stop	QCPU LCPU
4030	<p>[CAN'T SET(I)] The allocation pointer Nos. assigned by files overlap.</p> <p>■Collateral information</p> <ul style="list-style-type: none"> • Common information: Program error location • Individual information: - <p>■Diagnostic timing</p> <ul style="list-style-type: none"> • At power-on/At reset/STOP → RUN 	Read common information of the error using the programming tool to identify the numeric value (program error location). Check the error step corresponding to the value, and correct it as necessary.	RUN: Off ERR.:Flashing CPU Status:Stop	QCPU LCPU

Error code	Error and cause	Corrective action	LED status, CPU status	Corresponding CPU
4100	<p>[OPERATION ERROR] The instruction cannot process the contained data.</p> <p>■Collateral information</p> <ul style="list-style-type: none"> • Common information: Program error location • Individual information: - <p>■Diagnostic timing</p> <ul style="list-style-type: none"> • When instruction executed 	<p>Read common information of the error using the programming tool to identify the numeric value (program error location). Check the error step corresponding to the value, and correct it as necessary.</p>	<p>RUN: Off/On ERR.:Flashing/On</p> <p>CPU Status: Stop/Continue*¹</p>	<p>QCPU LCPU</p>
	<p>[OPERATION ERROR] An error has occurred in access to the ATA or SD memory card using an instruction.</p> <p>■Collateral information</p> <ul style="list-style-type: none"> • Common information: Program error location • Individual information: - <p>■Diagnostic timing</p> <ul style="list-style-type: none"> • When instruction executed 	<ul style="list-style-type: none"> • Take noise reduction measures. • Reset the CPU module and run it again. If the same error code is displayed again, the cause is a hardware failure of the ATA card or SD memory card. Please consult your local Mitsubishi representative. 		<p>Qn(H) QnPH QnPRH QnU LCPU</p>
	<p>[OPERATION ERROR]</p> <ul style="list-style-type: none"> • The file being accessed was accessed with the SP.FWRITE instruction. • Writing was attempted to the write-protected SD memory card with the SP.FWRITE instruction. <p>■Collateral information</p> <ul style="list-style-type: none"> • Common information: Program error location • Individual information: - <p>■Diagnostic timing</p> <ul style="list-style-type: none"> • When instruction executed 	<ul style="list-style-type: none"> • Do not execute the SP.FWRITE instruction to the file being accessed. • Do not execute any other function and the SP.FWRITE instruction at the same time. • Disable the write protect switch of the SD memory card. 		<p>QnU LCPU</p>

A

Error code	Error and cause	Corrective action	LED status, CPU status	Corresponding CPU
4101	<p>[OPERATION ERROR]</p> <ul style="list-style-type: none"> The number of setting data dealt with the instruction exceeds the applicable range. The storage data and constant of the device specified by the instruction exceeds the applicable range. When writing to the host CPU shared memory, the write prohibited area is specified for the write destination address. The range of storage data of the device specified by the instruction is duplicated. The device specified by the instruction exceeds the range of the number of device points. The interrupt pointer No. specified by the instruction exceeds the applicable range. A link direct device, intelligent function module device, and cyclic transmission area device are specified for both (S) and (D) with the BMOV instruction. The target station's network No. specified by the network dedicated instruction does not exist. There are no link direct devices (J□\□) <p>■Collateral information</p> <ul style="list-style-type: none"> Common information: Program error location Individual information: - <p>■Diagnostic timing</p> <ul style="list-style-type: none"> When instruction executed 	Read common information of the error using the programming tool to identify the numeric value (program error location). Check the error step corresponding to the value, and correct it as necessary.	RUN: Off/On ERR.:Flashing/On CPU Status: Stop/Continue*1	QCPU LCPU
	<p>[OPERATION ERROR]</p> <ul style="list-style-type: none"> Data stored in the file register specified by an instruction exceeds the applicable range. A file register has not been set. Or the set file register does not store a file. <p>■Collateral information</p> <ul style="list-style-type: none"> Common information: Program error location Individual information: - <p>■Diagnostic timing</p> <ul style="list-style-type: none"> When instruction executed 			Read common information of the error using the programming tool to identify the numeric value (program error location). Check the error step corresponding to the value, and correct it as necessary.
	<p>[OPERATION ERROR]</p> <ul style="list-style-type: none"> The block data that crosses over the boundary between the internal user device and the extended data register (D) or extended link register is specified (including 32-bit binary, real number (single precision, double precision), indirect address, and control data). <p>■Collateral information</p> <ul style="list-style-type: none"> Common information: Program error location Individual information: - <p>■Diagnostic timing</p> <ul style="list-style-type: none"> When instruction executed 			

Error code	Error and cause	Corrective action	LED status, CPU status	Corresponding CPU
4102	<p>[OPERATION ERROR] In a multiple CPU system, the link direct device (J□\□) was specified for the network module under control of another station.</p> <p>■Collateral information</p> <ul style="list-style-type: none"> • Common information: Program error location • Individual information: - <p>■Diagnostic timing</p> <ul style="list-style-type: none"> • When instruction executed 	<ul style="list-style-type: none"> • Delete from the program the link direct device which specifies the network module under control of another CPU. • Using the link direct device, specify the network module controlled by the own station. 	RUN: Off/On ERR.:Flashing/On CPU Status: Stop/Continue* ¹	Q00/Q01 Qn(H) QnPH QnU
	<p>[OPERATION ERROR]</p> <ul style="list-style-type: none"> • The module No./network No. /station No. specified for the dedicated instruction is wrong. • The link direct device (J□\□) setting is incorrect. • The module No./network No./number of character strings exceeds the range that can be specified. <p>■Collateral information</p> <ul style="list-style-type: none"> • Common information: Program error location • Individual information: - <p>■Diagnostic timing</p> <ul style="list-style-type: none"> • When instruction executed 	Read common information of the error using the programming tool to identify the numeric value (program error location). Check the error step corresponding to the value, and correct it as necessary.		QCPU LCPU
	<p>[OPERATION ERROR] The character string (" ") specified by a dedicated instruction cannot be used for the character string.</p> <p>■Collateral information</p> <ul style="list-style-type: none"> • Common information: Program error location • Individual information: - <p>■Diagnostic timing</p> <ul style="list-style-type: none"> • When instruction executed 			QnU LCPU
4103	<p>[OPERATION ERROR] The configuration of the PID dedicated instruction is incorrect.</p> <p>■Collateral information</p> <ul style="list-style-type: none"> • Common information: Program error location • Individual information: - <p>■Diagnostic timing</p> <ul style="list-style-type: none"> • When instruction executed 	Read common information of the error using the programming tool to identify the numeric value (program error location). Check the error step corresponding to the value, and correct it as necessary.	RUN: Off/On ERR.:Flashing/On CPU Status: Stop/Continue* ¹	Q00J/Q00/Q01 Qn(H) QnPRH QnU LCPU
4105	<p>[OPERATION ERROR] PLOADP/PUNLOADP/PSWAPP instructions were executed while setting program memory check.</p> <p>■Collateral information</p> <ul style="list-style-type: none"> • Common information: Program error location • Individual information: - <p>■Diagnostic timing</p> <ul style="list-style-type: none"> • When instruction executed 	<ul style="list-style-type: none"> • Delete the setting for the program memory check. • When using the program memory check, delete PLOADP/PUNLOADP/PSWAPP instructions. 	RUN: Off/On ERR.:Flashing/On CPU Status: Stop/Continue	QnPH
4107	<p>[OPERATION ERROR] 33 or more multiple CPU dedicated instructions were executed from one CPU module.</p> <p>■Collateral information</p> <ul style="list-style-type: none"> • Common information: Program error location • Individual information: - <p>■Diagnostic timing</p> <ul style="list-style-type: none"> • When instruction executed 	Using the multiple CPU dedicated instruction completion bit, provide interlocks to prevent one CPU module from executing 33 or more multiple CPU dedicated instructions.	RUN: Off/On ERR.:Flashing/On CPU Status: Stop/Continue* ¹	Q00/Q01 Qn(H) QnPH Q00UCPU Q01UCPU Q02UCPU QnUDV QnUDPV
4109	<p>[OPERATION ERROR] With high speed interrupt setting PR, PRC, UDCNT1, UDCNT2, PLSY or PWM instruction is executed.</p> <p>■Collateral information</p> <ul style="list-style-type: none"> • Common information: Program error location • Individual information: - <p>■Diagnostic timing</p> <ul style="list-style-type: none"> • When instruction executed 	Delete the high-speed interrupt setting. When using high-speed interrupt, delete the PR, PRC, UDCNT1, UDCNT2, PLSY and PWM instructions.	RUN: Off/On ERR.:Flashing/On CPU Status: Stop/Continue* ¹	Qn(H)* ²

A

 Appendix 1 Error Codes
 Appendix 1.6 List of error codes (4000 to 4999)

Error code	Error and cause	Corrective action	LED status, CPU status	Corresponding CPU
4111	<p>[OPERATION ERROR] An attempt was made to perform write/read to/from the CPU shared memory write/read disable area of the own station CPU module with the instruction.</p> <p>■Collateral information</p> <ul style="list-style-type: none"> • Common information: Program error location • Individual information: - <p>■Diagnostic timing</p> <ul style="list-style-type: none"> • When instruction executed 	Read common information of the error using the programming tool to identify the numeric value (program error location). Check the error step corresponding to the value, and correct it as necessary.	<p>RUN: Off/On ERR.:Flashing/On</p> <p>CPU Status: Stop/Continue*¹</p>	Q00/Q01 QnU
4112	<p>[OPERATION ERROR] The CPU module that cannot be specified with the multiple CPU dedicated instruction was specified.</p> <p>■Collateral information</p> <ul style="list-style-type: none"> • Common information: Program error location • Individual information: - <p>■Diagnostic timing</p> <ul style="list-style-type: none"> • When instruction executed 	Read common information of the error using the programming tool to identify the numeric value (program error location). Check the error step corresponding to the value, and correct it as necessary.	<p>RUN: Off/On ERR.:Flashing/On</p> <p>CPU Status: Stop/Continue*¹</p>	Q00/Q01 QnU
4113	<p>[OPERATION ERROR]</p> <ul style="list-style-type: none"> • When the SP.DEVST instruction is executed, the number of writing to the standard ROM of the day exceeds the value specified by SD695. • The value outside the specified range is set to SD695. <p>■Collateral information</p> <ul style="list-style-type: none"> • Common information: Program error location • Individual information: - <p>■Diagnostic timing</p> <ul style="list-style-type: none"> • When instruction executed 	<ul style="list-style-type: none"> • Check that the number of execution of the SP.DEVST instruction is proper. • Execute the SP.DEVST instruction again on or after the following day. Or change the value in SD695. • Correct the value of SD695 so that it does not exceed the range. 	<p>RUN: Off/On ERR.:Flashing/On</p> <p>CPU Status: Stop/Continue</p>	QnU LCPU
4116	<p>[OPERATION ERROR] A built-in I/O instruction that is disabled with a parameter was executed.</p> <p>■Collateral information</p> <ul style="list-style-type: none"> • Common information: Program error location • Individual information: - <p>■Diagnostic timing</p> <ul style="list-style-type: none"> • When instruction executed 	<ul style="list-style-type: none"> • Enable the built-in I/O function with parameters. • Prohibit executions of a built-in I/O instruction that is disabled with a parameter. 	<p>RUN: Off/On ERR.:Flashing/On</p> <p>CPU Status: Stop/Continue</p>	LCPU
4120	<p>[OPERATION ERROR] Since the manual system switching enable flag (SM1592) is off, a manual system switching cannot be executed by the control system switching instruction (SP. CONTSW).</p> <p>■Collateral information</p> <ul style="list-style-type: none"> • Common information: Program error location • Individual information: - <p>■Diagnostic timing</p> <ul style="list-style-type: none"> • When instruction executed 	To execute control system switching by the SP. CONTSW instruction, turn on the manual system switching enable flag (SM1592).	<p>RUN: Off/On ERR.:Flashing/On</p> <p>CPU Status: Stop/Continue*¹</p>	QnPRH
4121	<p>[OPERATION ERROR]</p> <ul style="list-style-type: none"> • In the separate mode, the control system switching instruction (SP. CONTSW) was executed in the standby system CPU module. • In the debug mode, the control system switching instruction (SP. CONTSW) was executed. <p>■Collateral information</p> <ul style="list-style-type: none"> • Common information: Program error location • Individual information: - <p>■Diagnostic timing</p> <ul style="list-style-type: none"> • When instruction executed 	<ul style="list-style-type: none"> • Reexamine the interlock signal for the SP. CONTSW instruction, and make sure that the SP. CONTSW instruction is executed in the control system only. (Since the SP. CONTSW instruction cannot be executed in the standby system, it is recommended to provide an interlock using the operation mode signal or like.) • As the SP. CONTSW instruction cannot be executed in the debug mode, reexamine the interlock signal related to the operation mode. 	<p>RUN: Off/On ERR.:Flashing/On</p> <p>CPU Status: Stop/Continue*¹</p>	QnPRH

Error code	Error and cause	Corrective action	LED status, CPU status	Corresponding CPU
4122	<p>[OPERATION ERROR]</p> <ul style="list-style-type: none"> The dedicated instruction was executed to the module mounted on the extension base unit in the redundant system. The instruction for accessing the intelligent function module mounted on the extension base unit from the standby system at separate mode was executed. <p>■Collateral information</p> <ul style="list-style-type: none"> Common information: Program error location Individual information: - <p>■Diagnostic timing</p> <ul style="list-style-type: none"> When instruction executed 	<ul style="list-style-type: none"> Delete the dedicated instruction for the module mounted on the extension base unit. Delete the instruction for accessing the intelligent function module mounted on the extension base unit from the standby system. 	RUN: Off/On ERR.:Flashing/On CPU Status: Stop/Continue	QnPRH
4130	<p>[OPERATION ERROR]</p> <p>Instructions to read SFC step comment (S(P).SFCSCOMR) and SFC transition condition comment (S(P).SFCTCOMR) are executed for the comment file in the ATA card or SD memory card.</p> <p>■Collateral information</p> <ul style="list-style-type: none"> Common information: Program error location Individual information: - <p>■Diagnostic timing</p> <ul style="list-style-type: none"> When instruction executed/When an END instruction executed 	Set the comment file used in the instructions to the one not in the ATA card or SD memory card.	RUN: Off/On ERR.:Flashing/On CPU Status: Stop/Continue	Qn(H) QnPH QnPRH QnU
4131	<p>[OPERATION ERROR]</p> <p>The SFC program is started up by the instruction while the other SFC program has not yet been completed.</p> <p>■Collateral information</p> <ul style="list-style-type: none"> Common information: Program error location Individual information: - <p>■Diagnostic timing</p> <ul style="list-style-type: none"> When instruction executed 	Check the SFC program specified by the instruction. Or, check the executing status of the SFC program.	RUN: Off/On ERR.:Flashing/On CPU Status: Stop/Continue	QnU LPCU
4140	<p>[OPERATION ERROR]</p> <p>An Operation was performed with special values of input data (-0, subnormal number, NaN (not a number), $\pm\infty$) is performed.</p> <p>■Collateral information</p> <ul style="list-style-type: none"> Common information: Program error location Individual information: - <p>■Diagnostic timing</p> <ul style="list-style-type: none"> When instruction executed 	Read common information of the error using the programming tool to identify the numeric value (program error location). Check the error step corresponding to the value, and correct it as necessary.	RUN: Off/On ERR.:Flashing/On CPU Status: Stop/Continue	QnU LPCU
4141	<p>[OPERATION ERROR]</p> <ul style="list-style-type: none"> An overflow occurs during operation. An error occurs during operation. <p>■Collateral information</p> <ul style="list-style-type: none"> Common information: Program error location Individual information: - <p>■Diagnostic timing</p> <ul style="list-style-type: none"> When instruction executed 	Read common information of the error using the programming tool to identify the numeric value (program error location). Check the error step corresponding to the value, and correct it as necessary.	RUN: Off/On ERR.:Flashing/On CPU Status: Stop/Continue	QnU LPCU
4150	<p>[OPERATION ERROR]</p> <ul style="list-style-type: none"> The start I/O number of the module on the station that cannot be specified using an instruction has been specified. A start I/O number not set in the network parameter has been specified using an instruction. <p>■Collateral information</p> <ul style="list-style-type: none"> Common information: Program error location Individual information: - <p>■Diagnostic timing</p> <ul style="list-style-type: none"> When instruction executed 	<ul style="list-style-type: none"> Specify the start I/O number of the module on the master station. Specify the start I/O number set in the network parameter. Change the network parameter setting. 	RUN: Off/On ERR.:Flashing/On CPU Status: Stop/Continue	QnU LPCU

A

Appendix 1 Error Codes
Appendix 1.6 List of error codes (4000 to 4999)

Error code	Error and cause	Corrective action	LED status, CPU status	Corresponding CPU
4151	<p>[OPERATION ERROR]</p> <ul style="list-style-type: none"> The refresh device of the module specified using an instruction is not assigned in the network parameter. The number of device points specified using an instruction exceeds the range for one transfer setting assigned in the network parameter. <p>■Collateral information</p> <ul style="list-style-type: none"> Common information: Program error location Individual information: - <p>■Diagnostic timing</p> <ul style="list-style-type: none"> When instruction executed 	<ul style="list-style-type: none"> Read common information of the error using the programming tool to identify the numeric value (program error location). Check the error step corresponding to the value, and correct it as necessary. Change the network parameter setting. 	<p>RUN: Off/On ERR.:Flashing/On</p> <p>CPU Status: Stop/Continue</p>	QnU LCPU
4160	<p>[OPERATION ERROR]</p> <p>A built-in Ethernet function instruction cannot be executed.</p> <p>■Collateral information</p> <ul style="list-style-type: none"> Common information: Program error location Individual information: - <p>■Diagnostic timing</p> <ul style="list-style-type: none"> When instruction executed 	<ul style="list-style-type: none"> Check and correct the built-in Ethernet port setting parameters. Do not execute any unsupported built-in Ethernet function instruction. 	<p>RUN: Off/On ERR.:Flashing/On</p> <p>CPU Status: Stop/Continue</p>	LCPU
4161	<p>[OPERATION ERROR]</p> <p>The SP.SLMPSND instruction was executed when the simple PLC communication function was set in "PLC Parameter".</p> <p>■Collateral information</p> <ul style="list-style-type: none"> Common information: Program error location Individual information: - <p>■Diagnostic timing</p> <ul style="list-style-type: none"> When instruction executed 	<ul style="list-style-type: none"> Do not use the simple PLC communication function. Do not execute the SP.SLMPSND instruction. 	<p>RUN: Off/On ERR.:Flashing/On</p> <p>CPU Status: Stop/Continue</p>	QnUDV QnUDPV LCPU
4200	<p>[FOR-NEXT ERROR]</p> <p>The NEXT instruction was not executed although a FOR instruction has been executed. Alternatively, there are fewer NEXT instructions than FOR instructions.</p> <p>■Collateral information</p> <ul style="list-style-type: none"> Common information: Program error location Individual information: - <p>■Diagnostic timing</p> <ul style="list-style-type: none"> When instruction executed 	<p>Read common information of the error using the programming tool to identify the numeric value (program error location). Check the error step corresponding to the value, and correct it as necessary.</p>	<p>RUN: Off ERR.:Flashing</p> <p>CPU Status:Stop</p>	QCPU LCPU
4201	<p>[FOR-NEXT ERROR]</p> <p>The NEXT instruction was executed although no FOR instruction has been executed. Alternatively, there are more NEXT instructions than FOR instructions.</p> <p>■Collateral information</p> <ul style="list-style-type: none"> Common information: Program error location Individual information: - <p>■Diagnostic timing</p> <ul style="list-style-type: none"> When instruction executed 	<p>Read common information of the error using the programming tool to identify the numeric value (program error location). Check the error step corresponding to the value, and correct it as necessary.</p>	<p>RUN: Off ERR.:Flashing</p> <p>CPU Status:Stop</p>	QCPU LCPU
4202	<p>[FOR-NEXT ERROR]</p> <p>More than 16 nesting levels of the FOR instruction are programmed.</p> <p>■Collateral information</p> <ul style="list-style-type: none"> Common information: Program error location Individual information: - <p>■Diagnostic timing</p> <ul style="list-style-type: none"> When instruction executed 	<p>Keep nesting levels at 16 or under.</p>	<p>RUN: Off ERR.:Flashing</p> <p>CPU Status:Stop</p>	QCPU LCPU
4203	<p>[FOR-NEXT ERROR]</p> <p>A BREAK instruction was executed although no FOR instruction has been executed prior to that.</p> <p>■Collateral information</p> <ul style="list-style-type: none"> Common information: Program error location Individual information: - <p>■Diagnostic timing</p> <ul style="list-style-type: none"> When instruction executed 	<p>Read common information of the error using the programming tool to identify the numeric value (program error location). Check the error step corresponding to the value, and correct it as necessary.</p>	<p>RUN: Off ERR.:Flashing</p> <p>CPU Status:Stop</p>	QCPU LCPU

Error code	Error and cause	Corrective action	LED status, CPU status	Corresponding CPU
4210	<p>[CAN'T EXECUTE(P)] The pointer specified in the instruction does not exist.</p> <p>■Collateral information</p> <ul style="list-style-type: none"> • Common information: Program error location • Individual information: - <p>■Diagnostic timing</p> <ul style="list-style-type: none"> • When instruction executed 	Read common information of the error using the programming tool to identify the numeric value (program error location). Check the error step corresponding to the value, and correct it as necessary.	RUN: Off ERR.:Flashing CPU Status:Stop	QCPU LCPU
4211	<p>[CAN'T EXECUTE(P)] There was no RET instruction in the executed subroutine program.</p> <p>■Collateral information</p> <ul style="list-style-type: none"> • Common information: Program error location • Individual information: - <p>■Diagnostic timing</p> <ul style="list-style-type: none"> • When instruction executed 	Read common information of the error using the programming tool to identify the numeric value (program error location). Check the error step corresponding to the value, and correct it as necessary.	RUN: Off ERR.:Flashing CPU Status:Stop	QCPU LCPU
4212	<p>[CAN'T EXECUTE(P)]</p> <ul style="list-style-type: none"> • The RET instruction exists before the FEND instruction of the main routine program. • The RET instruction is executed before the NEXT instruction is executed in the executed subroutine program. <p>■Collateral information</p> <ul style="list-style-type: none"> • Common information: Program error location • Individual information: - <p>■Diagnostic timing</p> <ul style="list-style-type: none"> • When instruction executed 	Read common information of the error using the programming tool to identify the numeric value (program error location). Check the error step corresponding to the value, and correct it as necessary.	RUN: Off ERR.:Flashing CPU Status:Stop	QCPU LCPU
4213	<p>[CAN'T EXECUTE(P)] More than 16 nesting levels of the CALL instruction are programmed.</p> <p>■Collateral information</p> <ul style="list-style-type: none"> • Common information: Program error location • Individual information: - <p>■Diagnostic timing</p> <ul style="list-style-type: none"> • When instruction executed 	Keep nesting levels at 16 or under.	RUN: Off ERR.:Flashing CPU Status:Stop	QCPU LCPU
4220	<p>[CAN'T EXECUTE(I)] Though an interrupt input occurred, the corresponding interrupt pointer does not exist.</p> <p>■Collateral information</p> <ul style="list-style-type: none"> • Common information: - • Individual information: - <p>■Diagnostic timing</p> <ul style="list-style-type: none"> • When instruction executed 	Check that the interrupt pointer No. set in parameter exists in the program.	RUN: Off ERR.:Flashing CPU Status:Stop	QCPU LCPU
4221	<p>[CAN'T EXECUTE(I)] An IRET instruction does not exist in the executed interrupt program.</p> <p>■Collateral information</p> <ul style="list-style-type: none"> • Common information: Program error location • Individual information: - <p>■Diagnostic timing</p> <ul style="list-style-type: none"> • When instruction executed 	Read common information of the error using the programming tool to identify the numeric value (program error location). Check the error step corresponding to the value, and correct it as necessary.	RUN: Off ERR.:Flashing CPU Status:Stop	QCPU LCPU

A

Appendix 1 Error Codes
Appendix 1.6 List of error codes (4000 to 4999)

Error code	Error and cause	Corrective action	LED status, CPU status	Corresponding CPU
4223	<p>[CAN'T EXECUTE(I)] The IRET instruction exists before the FEND instruction of the main routine program.</p> <p>■Collateral information</p> <ul style="list-style-type: none"> • Common information: Program error location • Individual information: - <p>■Diagnostic timing</p> <ul style="list-style-type: none"> • When instruction executed 	Read common information of the error using the programming tool to identify the numeric value (program error location). Check the error step corresponding to the value, and correct it as necessary.	RUN: Off ERR.:Flashing CPU Status:Stop	QCPU LCPU
	<p>[CAN'T EXECUTE(I)]</p> <ul style="list-style-type: none"> • The IRET instruction was executed in the fixed scan execution type program. • The STOP instruction was executed in the fixed scan execution type program. <p>■Collateral information</p> <ul style="list-style-type: none"> • Common information: Program error location • Individual information: - <p>■Diagnostic timing</p> <ul style="list-style-type: none"> • When instruction executed 			QnU LCPU
4225	<p>[CAN'T EXECUTE(I)] The interrupt pointer for the module mounted on the extension base unit is set in the redundant system.</p> <p>■Collateral information</p> <ul style="list-style-type: none"> • Common information: - • Individual information: - <p>■Diagnostic timing</p> <ul style="list-style-type: none"> • At power-on/At reset 	Delete the setting of interrupt pointer for the module mounted on the extension base unit, since it cannot be used.	RUN: Off ERR.:Flashing CPU Status:Stop	QnPRH
4230	<p>[INST. FORMAT ERR.] The number of CHK and CHKEND instructions is not equal.</p> <p>■Collateral information</p> <ul style="list-style-type: none"> • Common information: Program error location • Individual information: - <p>■Diagnostic timing</p> <ul style="list-style-type: none"> • When instruction executed 	Read common information of the error using the programming tool to identify the numeric value (program error location). Check the error step corresponding to the value, and correct it as necessary.	RUN: Off ERR.:Flashing CPU Status:Stop	Qn(H) QnPH
4231	<p>[INST. FORMAT ERR.] The number of IX and IXEND instructions is not equal.</p> <p>■Collateral information</p> <ul style="list-style-type: none"> • Common information: Program error location • Individual information: - <p>■Diagnostic timing</p> <ul style="list-style-type: none"> • When instruction executed 	Read common information of the error using the programming tool to identify the numeric value (program error location). Check the error step corresponding to the value, and correct it as necessary.	RUN: Off ERR.:Flashing CPU Status:Stop	Qn(H) QnPH QnPRH
4235	<p>[INST. FORMAT ERR.] The configuration of the check conditions for the CHK instruction is incorrect. Alternatively, a CHK instruction has been used in a low speed execution type program.</p> <p>■Collateral information</p> <ul style="list-style-type: none"> • Common information: Program error location • Individual information: - <p>■Diagnostic timing</p> <ul style="list-style-type: none"> • When instruction executed 	Read common information of the error using the programming tool to identify the numeric value (program error location). Check the error step corresponding to the value, and correct it as necessary.	RUN: Off ERR.:Flashing CPU Status:Stop	Qn(H) QnPH

Error code	Error and cause	Corrective action	LED status, CPU status	Corresponding CPU
4350	<p>[MULTI-COM. ERROR]</p> <ul style="list-style-type: none"> The multiple CPU high-speed transmission dedicated instruction used in the program specifies the wrong CPU module. Or, the setting in the CPU module is incompatible with the multiple CPU high-speed transmission dedicated instruction. The reserved CPU is specified. The uninstalled CPU is specified. The start I/O number of the target CPU ÷ 16 (n1) is outside the range of 3E0H to 3E3H. The CPU module where the instruction cannot be executed is specified. The instruction is executed in a single CPU system. The host CPU is specified. The instruction is executed without setting the "Use multiple CPU high speed communication". <p>■Collateral information</p> <ul style="list-style-type: none"> Common information: Program error location Individual information: - <p>■Diagnostic timing</p> <ul style="list-style-type: none"> When instruction executed 	Read common information of the error using the programming tool to identify the numeric value (program error location). Check the error step corresponding to the value, and correct it as necessary.	RUN: Off ERR.:Flashing CPU Status:Stop	QnU
4351	<p>[MULTI-COM. ERROR]</p> <ul style="list-style-type: none"> The multiple CPU high-speed transmission dedicated instruction specified by the program cannot be executed to the specified target CPU module. The instruction name is wrong. The instruction unsupported by the target CPU module is specified. <p>■Collateral information</p> <ul style="list-style-type: none"> Common information: Program error location Individual information: - <p>■Diagnostic timing</p> <ul style="list-style-type: none"> When instruction executed 	Read common information of the error using the programming tool to identify the numeric value (program error location). Check the error step corresponding to the value, and correct it as necessary.	RUN: Off ERR.:Flashing CPU Status:Stop	QnU
4352	<p>[MULTI-COM. ERROR]</p> <p>The number of devices for the multiple CPU high-speed transmission dedicated instruction specified by the program is wrong.</p> <p>■Collateral information</p> <ul style="list-style-type: none"> Common information: Program error location Individual information: - <p>■Diagnostic timing</p> <ul style="list-style-type: none"> When instruction executed 	Read common information of the error using the programming tool to identify the numeric value (program error location). Check the error step corresponding to the value, and correct it as necessary.	RUN: Off ERR.:Flashing CPU Status:Stop	QnU
4353	<p>[MULTI-COM. ERROR]</p> <p>The device which cannot be used for the multiple CPU high-speed transmission dedicated instruction specified by the program is specified.</p> <p>■Collateral information</p> <ul style="list-style-type: none"> Common information: Program error location Individual information: - <p>■Diagnostic timing</p> <ul style="list-style-type: none"> When instruction executed 	Read common information of the error using the programming tool to identify the numeric value (program error location). Check the error step corresponding to the value, and correct it as necessary.	RUN: Off ERR.:Flashing CPU Status:Stop	QnU
4354	<p>[MULTI-COM. ERROR]</p> <p>The character string which cannot be handled by the multiple CPU high-speed transmission dedicated instruction is specified.</p> <p>■Collateral information</p> <ul style="list-style-type: none"> Common information: Program error location Individual information: - <p>■Diagnostic timing</p> <ul style="list-style-type: none"> When instruction executed 	Read common information of the error using the programming tool to identify the numeric value (program error location). Check the error step corresponding to the value, and correct it as necessary.	RUN: Off ERR.:Flashing CPU Status:Stop	QnU

A

Appendix 1 Error Codes
Appendix 1.6 List of error codes (4000 to 4999)

Error code	Error and cause	Corrective action	LED status, CPU status	Corresponding CPU
4355	<p>[MULTI-COM. ERROR] The number of read/write data (number of request/receive data) for the multiple CPU high-speed transmission dedicated instruction specified by the program is not valid.</p> <p>■Collateral information</p> <ul style="list-style-type: none"> • Common information: Program error location • Individual information: - <p>■Diagnostic timing</p> <ul style="list-style-type: none"> • When instruction executed 	Read common information of the error using the programming tool to identify the numeric value (program error location). Check the error step corresponding to the value, and correct it as necessary.	RUN: Off ERR.:Flashing CPU Status:Stop	QnU
4400	<p>[SFCP. CODE ERROR] No SFCP or SFCPEND instruction in SFC program.</p> <p>■Collateral information</p> <ul style="list-style-type: none"> • Common information: Program error location • Individual information: - <p>■Diagnostic timing</p> <ul style="list-style-type: none"> • STOP → RUN 	Write the program to the CPU module again using the programming tool.	RUN: Off ERR.:Flashing CPU Status:Stop	Qn(H) QnPH QnPRH
4410	<p>[CAN'T SET(BL)] The block number designated by the SFC program exceeds the range.</p> <p>■Collateral information</p> <ul style="list-style-type: none"> • Common information: Program error location • Individual information: - <p>■Diagnostic timing</p> <ul style="list-style-type: none"> • At power-on/At reset/STOP → RUN 	Write the program to the CPU module again using the programming tool.	RUN: Off ERR.:Flashing CPU Status:Stop	Q00J/Q00/Q01 Qn(H) QnPH QnPRH QnU LCPU
4411	<p>[CAN'T SET(BL)] Block number designations overlap in SFC program.</p> <p>■Collateral information</p> <ul style="list-style-type: none"> • Common information: Program error location • Individual information: - <p>■Diagnostic timing</p> <ul style="list-style-type: none"> • At power-on/At reset/STOP → RUN 	Write the program to the CPU module again using the programming tool.	RUN: Off ERR.:Flashing CPU Status:Stop	Q00J/Q00/Q01 Qn(H) QnPH QnPRH QnU LCPU
4420	<p>[CAN'T SET(S)] A step number designated in an SFC program exceeds the range.</p> <p>■Collateral information</p> <ul style="list-style-type: none"> • Common information: Program error location • Individual information: - <p>■Diagnostic timing</p> <ul style="list-style-type: none"> • At power-on/At reset/STOP → RUN 	Write the program to the CPU module again using the programming tool.	RUN: Off ERR.:Flashing CPU Status:Stop	Q00J/Q00/Q01 Qn(H) QnPH QnPRH QnU LCPU
4421	<p>[CAN'T SET(S)] The number of steps in the SFC program exceeds the total number of step relays.</p> <p>■Collateral information</p> <ul style="list-style-type: none"> • Common information: Program error location • Individual information: - <p>■Diagnostic timing</p> <ul style="list-style-type: none"> • At power-on/At reset/STOP → RUN 	Correct the program so that the number of steps in the SFC program may not exceed the total number of step relays.	RUN: Off ERR.:Flashing CPU Status:Stop	Q00J/Q00/Q01 Qn(H) QnPH QnPRH QnU LCPU
		Increase the total number of step relays in the Device tab of "PLC Parameter".		QnU
4422	<p>[CAN'T SET(S)] Step number designations overlap in SFC program.</p> <p>■Collateral information</p> <ul style="list-style-type: none"> • Common information: Program error location • Individual information: - <p>■Diagnostic timing</p> <ul style="list-style-type: none"> • At power-on/At reset/STOP → RUN 	Write the program to the CPU module again using the programming tool.	RUN: Off ERR.:Flashing CPU Status:Stop	Q00J/Q00/Q01 Qn(H) QnPH QnPRH QnU LCPU
4423	<p>[CAN'T SET(S)] The total number of (maximum step No.+1) of each block exceeds the total number of step relays.</p> <p>■Collateral information</p> <ul style="list-style-type: none"> • Common information: Program error location • Individual information: - <p>■Diagnostic timing</p> <ul style="list-style-type: none"> • At power-on/At reset/STOP → RUN 	Correct the total number of step relays so that it does not exceed the total number of (maximum step No.+1) of each block.	RUN: Off ERR.:Flashing CPU Status:Stop	Q00J/Q00/Q01 QnU LCPU
		Increase the total number of step relays in the Device tab of "PLC Parameter".		QnU

Error code	Error and cause	Corrective action	LED status, CPU status	Corresponding CPU
4430	<p>[SFC EXE. ERROR] The SFC program cannot be executed.</p> <ul style="list-style-type: none"> The data of the block data setting is illegal. The SFC data device of the block data setting is beyond the device setting range set in "PLC Parameter". <p>■Collateral information</p> <ul style="list-style-type: none"> Common information: File name/Drive name Individual information: - <p>■Diagnostic timing</p> <ul style="list-style-type: none"> At power-on/At reset/STOP → RUN/When SFC program is executed 	<ul style="list-style-type: none"> Write the program to the CPU module again using the programming tool. After correcting the setting of the SFC data device, write it to the CPU module. Correct the device setting range in "PLC Parameter", and write it to the CPU module. 	<p>RUN: Off ERR.:Flashing</p> <p>CPU Status:Stop</p>	<p>Q00J/Q00/Q01 QnU LCPU</p>
4431	<p>[SFC EXE. ERROR] The SFC program cannot be executed.</p> <ul style="list-style-type: none"> The block parameter setting is abnormal. <p>■Collateral information</p> <ul style="list-style-type: none"> Common information: File name/Drive name Individual information: - <p>■Diagnostic timing</p> <ul style="list-style-type: none"> At power-on/At reset/STOP → RUN 	<p>Write the program to the CPU module again using the programming tool.</p>	<p>RUN: Off ERR.:Flashing</p> <p>CPU Status:Stop</p>	<p>Q00J/Q00/Q01 QnU LCPU</p>
4432	<p>[SFC EXE. ERROR] The SFC program cannot be executed.</p> <ul style="list-style-type: none"> The structure of the SFC program is illegal. <p>■Collateral information</p> <ul style="list-style-type: none"> Common information: File name/Drive name Individual information: - <p>■Diagnostic timing</p> <ul style="list-style-type: none"> At power-on/At reset/STOP → RUN 	<p>Write the program to the CPU module again using the programming tool.</p>	<p>RUN: Off ERR.:Flashing</p> <p>CPU Status:Stop</p>	<p>Q00J/Q00/Q01 QnU LCPU</p>
4500	<p>[SFCP. FORMAT ERR.] The numbers of BLOCK and BEND instructions in an SFC program are not equal.</p> <p>■Collateral information</p> <ul style="list-style-type: none"> Common information: Program error location Individual information: - <p>■Diagnostic timing</p> <ul style="list-style-type: none"> STOP → RUN 	<p>Write the program to the CPU module again using the programming tool.</p>	<p>RUN: Off ERR.:Flashing</p> <p>CPU Status:Stop</p>	<p>Qn(H) QnPH QnPRH</p>
4501	<p>[SFCP. FORMAT ERR.] The configuration of the STEP* to TRAN* to TSET to SEND instructions in the SFC program is incorrect.</p> <p>■Collateral information</p> <ul style="list-style-type: none"> Common information: Program error location Individual information: - <p>■Diagnostic timing</p> <ul style="list-style-type: none"> STOP → RUN 	<p>Write the program to the CPU module again using the programming tool.</p>	<p>RUN: Off ERR.:Flashing</p> <p>CPU Status:Stop</p>	<p>Qn(H) QnPH QnPRH</p>
4502	<p>[SFCP. FORMAT ERR.] The structure of the SFC program is illegal.</p> <ul style="list-style-type: none"> STEP* instruction does not exist in the block of the SFC program. <p>■Collateral information</p> <ul style="list-style-type: none"> Common information: Program error location Individual information: - <p>■Diagnostic timing</p> <ul style="list-style-type: none"> At power-on/At reset/STOP → RUN 	<p>Write the program to the CPU module again using the programming tool.</p>	<p>RUN: Off ERR.:Flashing</p> <p>CPU Status:Stop</p>	<p>Q00J/Q00/Q01 Qn(H) QnPH QnPRH QnU LCPU</p>

A

Error code	Error and cause	Corrective action	LED status, CPU status	Corresponding CPU
4503	<p>[SFCP. FORMAT ERR.] The structure of the SFC program is illegal.</p> <ul style="list-style-type: none"> The step specified in the TSET instruction does not exist. <p>■Collateral information</p> <ul style="list-style-type: none"> Common information: Program error location Individual information: - <p>■Diagnostic timing</p> <ul style="list-style-type: none"> STOP → RUN 	<ul style="list-style-type: none"> Write the program to the CPU module again using the programming tool. Read common information of the error using the programming tool to identify the numeric value (program error location). Check the error step corresponding to the value, and correct it as necessary. 	<p>RUN: Off ERR.:Flashing</p> <p>CPU Status:Stop</p>	<p>Qn(H) QnPH QnPRH</p>
	<p>[SFCP. FORMAT ERR.] The structure of the SFC program is illegal.</p> <ul style="list-style-type: none"> The step specified in the TSET instruction does not exist. In jump transition, the host step number was specified as the destination step number. <p>■Collateral information</p> <ul style="list-style-type: none"> Common information: Program error location Individual information: - <p>■Diagnostic timing</p> <ul style="list-style-type: none"> When SFC program is executed 			<p>Q00J/Q00/Q01 QnU LCPU</p>
4504	<p>[SFCP. FORMAT ERR.] The structure of the SFC program is illegal.</p> <ul style="list-style-type: none"> The step specified in the TAND instruction does not exist. <p>■Collateral information</p> <ul style="list-style-type: none"> Common information: Program error location Individual information: - <p>■Diagnostic timing</p> <ul style="list-style-type: none"> When SFC program is executed 	<p>Write the program to the CPU module again using the programming tool.</p>	<p>RUN: Off ERR.:Flashing</p> <p>CPU Status:Stop</p>	<p>Q00J/Q00/Q01 Qn(H) QnPH QnPRH QnU LCPU</p>
4505	<p>[SFCP. FORMAT ERR.] The structure of the SFC program is illegal.</p> <ul style="list-style-type: none"> In the operation output of a step, the SET Sn/BLmSn or RST Sn/BLmSn instruction was specified for the host step. <p>■Collateral information</p> <ul style="list-style-type: none"> Common information: Program error location Individual information: - <p>■Diagnostic timing</p> <ul style="list-style-type: none"> When instruction executed 	<p>Read common information of the error using the programming tool to identify the numeric value (program error location). Check the error step corresponding to the value, and correct it as necessary.</p>	<p>RUN: Off ERR.:Flashing</p> <p>CPU Status:Stop</p>	<p>Q00J/Q00/Q01 QnU LCPU</p>
4506	<p>[SFCP. FORMAT ERR.] The structure of the SFC program is illegal.</p> <ul style="list-style-type: none"> In a reset step, the host step number was specified as the destination step. <p>■Collateral information</p> <ul style="list-style-type: none"> Common information: Program error location Individual information: - <p>■Diagnostic timing</p> <ul style="list-style-type: none"> When instruction executed 	<p>Read common information of the error using the programming tool to identify the numeric value (program error location). Check the error step corresponding to the value, and correct it as necessary.</p>	<p>RUN: Off ERR.:Flashing</p> <p>CPU Status:Stop</p>	<p>Q00J/Q00/Q01 QnU LCPU</p>
4600	<p>[SFCP. OPE. ERROR] The SFC program contains data that cannot be processed.</p> <p>■Collateral information</p> <ul style="list-style-type: none"> Common information: Program error location Individual information: - <p>■Diagnostic timing</p> <ul style="list-style-type: none"> When instruction executed 	<p>Read common information of the error using the programming tool to identify the numeric value (program error location). Check the error step corresponding to the value, and correct it as necessary.</p>	<p>RUN: Off/On ERR.:Flashing/On</p> <p>CPU Status: Stop/Continue*1</p>	<p>Qn(H) QnPH QnPRH</p>
4601	<p>[SFCP. OPE. ERROR] Exceeds device range that can be designated by the SFC program.</p> <p>■Collateral information</p> <ul style="list-style-type: none"> Common information: Program error location Individual information: - <p>■Diagnostic timing</p> <ul style="list-style-type: none"> When instruction executed 	<p>Read common information of the error using the programming tool to identify the numeric value (program error location). Check the error step corresponding to the value, and correct it as necessary.</p>	<p>RUN: Off/On ERR.:Flashing/On</p> <p>CPU Status: Stop/Continue*1</p>	<p>Qn(H) QnPH QnPRH</p>

Error code	Error and cause	Corrective action	LED status, CPU status	Corresponding CPU
4602	<p>[SFCP. OPE. ERROR] The START instruction in an SFC program is preceded by an END instruction.</p> <p>■Collateral information</p> <ul style="list-style-type: none"> • Common information: Program error location • Individual information: - <p>■Diagnostic timing</p> <ul style="list-style-type: none"> • When instruction executed 	Read common information of the error using the programming tool to identify the numeric value (program error location). Check the error step corresponding to the value, and correct it as necessary.	RUN: Off/On ERR.:Flashing/On CPU Status: Stop/Continue*1	Qn(H) QnPH QnPRH
4610	<p>[SFCP. EXE. ERROR] The active step information at presumptive start of the SFC program is incorrect.</p> <p>■Collateral information</p> <ul style="list-style-type: none"> • Common information: Program error location • Individual information: - <p>■Diagnostic timing</p> <ul style="list-style-type: none"> • STOP → RUN 	Read common information of the error using the programming tool to identify the numeric value (program error location). Check the error step corresponding to the value, and correct it as necessary. The program is automatically subjected to an initial start.	RUN: On ERR.:On CPU Status:Continue	Qn(H) QnPH QnPRH
4611	<p>[SFCP. EXE. ERROR] Key-switch was reset during RUN when presumptive start was designated for SFC program.</p> <p>■Collateral information</p> <ul style="list-style-type: none"> • Common information: Program error location • Individual information: - <p>■Diagnostic timing</p> <ul style="list-style-type: none"> • STOP → RUN 	Read common information of the error using the programming tool to identify the numeric value (program error location). Check the error step corresponding to the value, and correct it as necessary. The program is automatically subjected to an initial start.	RUN: On ERR.:On CPU Status:Continue	Qn(H) QnPH QnPRH
4620	<p>[BLOCK EXE. ERROR] Startup was executed at a block in the SFC program that was already started up.</p> <p>■Collateral information</p> <ul style="list-style-type: none"> • Common information: Program error location • Individual information: - <p>■Diagnostic timing</p> <ul style="list-style-type: none"> • When instruction executed 	Read common information of the error using the programming tool to identify the numeric value (program error location). Check the error step corresponding to the value, and correct it as necessary.	RUN: Off ERR.:Flashing CPU Status:Stop	Qn(H) QnPH QnPRH QnU
4621	<p>[BLOCK EXE. ERROR] Startup was attempted at a block that does not exist in the SFC program.</p> <p>■Collateral information</p> <ul style="list-style-type: none"> • Common information: Program error location • Individual information: - <p>■Diagnostic timing</p> <ul style="list-style-type: none"> • When instruction executed 	<ul style="list-style-type: none"> • Read common information of the error using the programming tool to identify the numeric value (program error location). Check the error step corresponding to the value, and correct it as necessary. • Turn on SM321 if it is off. 	RUN: Off ERR.:Flashing CPU Status:Stop	Q00J/Q00/Q01 Qn(H) QnPH QnPRH QnU LCPU
4630	<p>[STEP EXE. ERROR] The step specified in the SFC program is already activated.</p> <p>■Collateral information</p> <ul style="list-style-type: none"> • Common information: Program error location • Individual information: - <p>■Diagnostic timing</p> <ul style="list-style-type: none"> • When instruction executed 	Read common information of the error using the programming tool to identify the numeric value (program error location). Check the error step corresponding to the value, and correct it as necessary.	RUN: Off ERR.:Flashing CPU Status:Stop	Qn(H) QnPH QnPRH
4631	<p>[STEP EXE. ERROR]</p> <ul style="list-style-type: none"> • Startup was attempted at the step that does not exist in the SFC program. Or, the step that does not exist in the SFC program was specified for end. • Forced transition was executed based on the transition condition that does not exist in the SFC program. Or, the transition condition for forced transition that does not exist in the SFC program was canceled. <p>■Collateral information</p> <ul style="list-style-type: none"> • Common information: Program error location • Individual information: - <p>■Diagnostic timing</p> <ul style="list-style-type: none"> • When instruction executed 	<ul style="list-style-type: none"> • Read common information of the error using the programming tool to identify the numeric value (program error location). Check the error step corresponding to the value, and correct it as necessary. • Turn on SM321 if it is off. 	RUN: Off ERR.:Flashing CPU Status:Stop	Q00J/Q00/Q01 Qn(H) QnPH QnPRH QnU LCPU

A

 Appendix 1 Error Codes
 Appendix 1.6 List of error codes (4000 to 4999)

Error code	Error and cause	Corrective action	LED status, CPU status	Corresponding CPU
4632	<p>[STEP EXE. ERROR] There were too many simultaneous active steps in blocks that can be designated by the SFC program.</p> <p>■Collateral information</p> <ul style="list-style-type: none"> • Common information: Program error location • Individual information: - <p>■Diagnostic timing</p> <ul style="list-style-type: none"> • When instruction executed 	Read common information of the error using the programming tool to identify the numeric value (program error location). Check the error step corresponding to the value, and correct it as necessary.	RUN: Off ERR.:Flashing CPU Status:Stop	Qn(H) QnPH QnPRH QnU LCPU
4633	<p>[STEP EXE. ERROR] There were too many simultaneous active steps in all blocks that can be designated.</p> <p>■Collateral information</p> <ul style="list-style-type: none"> • Common information: Program error location • Individual information: - <p>■Diagnostic timing</p> <ul style="list-style-type: none"> • When instruction executed 	Read common information of the error using the programming tool to identify the numeric value (program error location). Check the error step corresponding to the value, and correct it as necessary.	RUN: Off ERR.:Flashing CPU Status:Stop	Qn(H) QnPH QnPRH QnU LCPU

- *1 The operating status of the CPU module after an error has occurred can be set in parameter. (LED indication changes according to the status.)
- *2 Modules whose serial number (first five digits) is "04012" or later

Appendix 1.7 List of error codes (5000 to 5999)

The following table shows the error messages, the error contents and causes, and the corrective actions for the error codes (5000 to 5999).

Error code	Error and cause	Corrective action	LED status, CPU status	Corresponding CPU
5000	<p>[WDT ERROR] The scan time of the initial execution type program exceeded the initial execution monitoring time specified in the PLC RAS tab of "PLC Parameter".</p> <p>■Collateral information</p> <ul style="list-style-type: none"> • Common information: Time (value set) • Individual information: Time (value actually measured) <p>■Diagnostic timing</p> <ul style="list-style-type: none"> • Always 	<ul style="list-style-type: none"> • Read the individual information of the error using the programming tool to identify the numeric value (time). Check the value and shorten the scan time. • Change the initial execution monitoring time or the WDT value in the PLC RAS tab of "PLC Parameter". • Resolve the endless loop caused by jump transition. • If the error persists even after the actions mentioned above are taken, the possible cause is a hardware failure of the system. Please consult your local Mitsubishi representative. 	<p>RUN: Off ERR.:Flashing</p>	<p>Qn(H) QnPH QnPRH QnU LCPU</p>
	<p>[WDT ERROR]</p> <ul style="list-style-type: none"> • The power supply of the standby system is turned OFF. • The tracking cable is disconnected or connected without turning off or resetting the standby system. • The tracking cable is not secured by the connector fixing screws. <p>■Collateral information</p> <ul style="list-style-type: none"> • Common information: Time (value set) • Individual information: Time (value actually measured) <p>■Diagnostic timing</p> <ul style="list-style-type: none"> • Always 	<ul style="list-style-type: none"> • Since power-off of the standby system increases the control system scan time, reset the WDT value, taking the increase of the control system scan time into consideration. • If the tracking cable was disconnected during operation, securely connect it and restart the CPU module. If the same error code is displayed again, the cause is a hardware failure of the tracking cable or CPU module. Please consult your local Mitsubishi representative. 	<p>CPU Status:Stop</p>	<p>QnPRH</p>
5001	<p>[WDT ERROR] The scan time of the program exceeded the WDT value specified in the PLC RAS tab of "PLC Parameter".</p> <p>■Collateral information</p> <ul style="list-style-type: none"> • Common information: Time (value set) • Individual information: Time (value actually measured) <p>■Diagnostic timing</p> <ul style="list-style-type: none"> • Always 	<ul style="list-style-type: none"> • Read the individual information of the error using the programming tool to identify the numeric value (time). Check the value and shorten the scan time. • Change the initial execution monitoring time or the WDT value in the PLC RAS tab of "PLC Parameter". • Resolve the infinite loop caused by jump sequence. • Check the execution number of the interrupt program, and reduce the occurrence number of interruption. • If the error persists even after the actions mentioned above are taken, the possible cause is a hardware failure of the system. Please consult your local Mitsubishi representative. 	<p>RUN: Off ERR.:Flashing</p>	<p>QCPU LCPU</p>
	<p>[WDT ERROR]</p> <ul style="list-style-type: none"> • The power supply of the standby system is turned OFF. • The tracking cable is disconnected or connected without turning off or resetting the standby system. • The tracking cable is not secured by the connector fixing screws. <p>■Collateral information</p> <ul style="list-style-type: none"> • Common information: Time (value set) • Individual information: Time (value actually measured) <p>■Diagnostic timing</p> <ul style="list-style-type: none"> • Always 	<ul style="list-style-type: none"> • Since power-off of the standby system increases the control system scan time, reset the WDT value, taking the increase of the control system scan time into consideration. • If the tracking cable was disconnected during operation, securely connect it and restart the CPU module. If the same error code is displayed again, the cause is a hardware failure of the tracking cable or CPU module. Please consult your local Mitsubishi representative. 	<p>CPU Status:Stop</p>	<p>QnPRH</p>

A

Appendix 1 Error Codes
Appendix 1.7 List of error codes (5000 to 5999)

Error code	Error and cause	Corrective action	LED status, CPU status	Corresponding CPU
5002	<p>[WDT ERROR] The execution time of one high-speed interrupt exceeded 100ms.</p> <p>■Collateral information</p> <ul style="list-style-type: none"> • Common information: Time (value set) • Individual information: Time (value actually measured) <p>■Diagnostic timing</p> <ul style="list-style-type: none"> • Always 	<ul style="list-style-type: none"> • If the processing time of the high-speed interrupt program is long, review the program. • Cancel sampling trace, data logging, scan time measurement, and step specification for executional conditional device test in the interrupt program. 	<p>RUN: Off ERR.:Flashing</p> <p>CPU Status:Stop</p>	<p>QnUDV QnUDPV</p>
5010	<p>[PRG. TIME OVER] The program scan time exceeded the constant scan time specified in the PLC RAS tab of "PLC Parameter".</p> <p>■Collateral information</p> <ul style="list-style-type: none"> • Common information: Time (value set) • Individual information: Time (value actually measured) <p>■Diagnostic timing</p> <ul style="list-style-type: none"> • Always 	<p>Review the constant scan setting time.</p>	<p>RUN: On ERR.:On</p> <p>CPU Status:Continue</p>	<p>Qn(H) QnPH QnPRH QnU LCPU</p>
	<p>[PRG. TIME OVER] The low speed program execution time set in the PLC RAS tab of "PLC parameter" exceeded the excess time of the constant scan.</p> <p>■Collateral information</p> <ul style="list-style-type: none"> • Common information: Time (value set) • Individual information: Time (value actually measured) <p>■Diagnostic timing</p> <ul style="list-style-type: none"> • Always 	<ul style="list-style-type: none"> • Review the constant scan setting time. • To secure sufficient excess time, correct the value for "Constant scanning" and "Low Speed Program Execution Time" in "PLC Parameter". 		<p>Qn(H) QnPH QnPRH</p>
	<p>[PRG. TIME OVER] The program scan time exceeded the constant scan setting time specified in the PLC RAS tab of "PLC parameter".</p> <p>■Collateral information</p> <ul style="list-style-type: none"> • Common information: Time (value set) • Individual information: Time (value actually measured) <p>■Diagnostic timing</p> <ul style="list-style-type: none"> • Always 	<p>Review the constant scan setting time in "PLC parameter" so that the excess time of constant scan can be fully secured.</p>		<p>Q00J/Q00/Q01</p>
5011	<p>[PRG. TIME OVER] The scan time of the low speed execution type program exceeded the low speed execution watch time specified in the PLC RAS tab of "PLC parameter".</p> <p>■Collateral information</p> <ul style="list-style-type: none"> • Common information: Time (value set) • Individual information: Time (value actually measured) <p>■Diagnostic timing</p> <ul style="list-style-type: none"> • Always 	<p>Read the individual information of the error using the programming tool to identify the numeric value (time). Check the value and shorten the scan time.</p> <p>Change the low speed execution watch time in the PLC RAS setting of "PLC Parameter".</p>	<p>RUN: On ERR.:On</p> <p>CPU Status:Continue</p>	<p>Qn(H) QnPH</p>

Appendix 1.8 List of error codes (6000 to 6999)

The following table shows the error messages, the error contents and causes, and the corrective actions for the error codes (6000 to 6999).

Error code	Error and cause	Corrective action	LED status, CPU status	Corresponding CPU
6000	<p>[FILE DIFF.] In a redundant system, the control system and standby system do not have the same programs and parameters. The file type detected as different between the two systems can be checked by the file name of the error common information.</p> <ul style="list-style-type: none"> The program is different. (File name = *****.QPG) The PLC parameters/network parameters/redundant parameters are different. (File name = PARAM.QPA) The remote password is different. (File name = PARAM.QPA) The intelligent function module parameters are different. (File name = IPARAM.QPA) The device initial values are different. (File name = *****.QDI) The size of the area, which is used for enabling writing multiple program blocks to the CPU module during running, do not match. (File name = MBOC.QMB) (This can be detected from the standby system of the redundant system.) <p>■Collateral information</p> <ul style="list-style-type: none"> Common information: File name Individual information: - <p>■Diagnostic timing</p> <ul style="list-style-type: none"> At power-on/At reset/At tracking cable connection/At changing to backup mode/At completion of write during RUN/At system switching/At switching both systems into RUN 	<ul style="list-style-type: none"> Match the programs and parameters of the control system and standby system. Verify the CPU module by either of the following procedures 1) or 2) to clarify the differences between the files of both systems. Correct wrong files and write them to the CPU module again. <ol style="list-style-type: none"> Read the programs and parameters of System A using GX Works2, GX Developer, or PX Developer, and verify them with those of System B. Verify the programs and parameters saved in GX Works2, GX Developer, or PX Developer (offline environment) with those written to the CPU modules of both systems. <ul style="list-style-type: none"> When the size of the area, which is used for enabling writing multiple program blocks to the CPU module during running, do not match, perform either of corrective actions 1) or 2). <ol style="list-style-type: none"> Using the memory copy function, copy the program memory from the control system to the standby system. Format the CPU module program memories of both systems. (For both systems, specify the same values for the size of the area, which is used for enabling writing multiple program blocks to the CPU module during running.) 	<p>RUN: Off ERR.:Flashing</p> <p>CPU Status:Stop</p>	QnPRH
6001	<p>[FILE DIFF.] In the redundant system, the valid-parameter drive setting (SW2, SW3) set by the DIP switches differs between the control system and standby system.</p> <p>■Collateral information</p> <ul style="list-style-type: none"> Common information: - Individual information: - <p>■Diagnostic timing</p> <ul style="list-style-type: none"> At power-on/At reset/At tracking cable connection/At operation mode change 	Match the valid-parameter drive settings (SW2, SW3) for both the control and standby systems using the DIP switches.	<p>RUN: Off ERR.:Flashing</p> <p>CPU Status:Stop</p>	QnPRH
6010	<p>[OPE. MODE DIFF.] The operational status of the control system and standby system in the redundant system is not the same. (This can be detected from the standby system of the redundant system.)</p> <p>■Collateral information</p> <ul style="list-style-type: none"> Common information: - Individual information: - <p>■Diagnostic timing</p> <ul style="list-style-type: none"> Always 	Synchronize the operation statuses of the control system and standby system.	<p>RUN: On ERR.:On</p> <p>CPU Status:Continue</p>	QnPRH

A

Appendix 1 Error Codes
Appendix 1.8 List of error codes (6000 to 6999)

Error code	Error and cause	Corrective action	LED status, CPU status	Corresponding CPU
6020	<p>[OPE. MODE DIFF.] At power-on/reset, the RUN/STOP switch settings of the control system and standby system are not the same in a redundant system. (This can be detected from the control system or standby system of the redundant system.)</p> <p>■Collateral information</p> <ul style="list-style-type: none"> • Common information: - • Individual information: - <p>■Diagnostic timing</p> <ul style="list-style-type: none"> • At power-on/At reset 	Set the RUN/STOP switches of the control system and standby system to the same setting.	RUN: Off ERR.:Flashing CPU Status:Stop	QnPRH
6030	<p>[UNIT LAY. DIFF.]</p> <ul style="list-style-type: none"> • In a redundant system, the module configuration differs between the control system and standby system. • The network module mode setting differs between the two systems. (This can be detected from the control system or standby system of the redundant system.) <p>■Collateral information</p> <ul style="list-style-type: none"> • Common information: Module No. • Individual information: - <p>■Diagnostic timing</p> <ul style="list-style-type: none"> • At power-on/At reset/At tracking cable connection/At operation mode change 	<ul style="list-style-type: none"> • Match the module configurations of the control system and standby system. • In the redundant setting of "Network parameter", match the mode setting of System B to that of System A. 	RUN: Off ERR.:Flashing CPU Status:Stop	QnPRH
6035	<p>[UNIT LAY. DIFF.] In a redundant system, the CPU module model name differs between the control system and standby system. (This can be detected from the standby system of the redundant system.)</p> <p>■Collateral information</p> <ul style="list-style-type: none"> • Common information: - • Individual information: - <p>■Diagnostic timing</p> <ul style="list-style-type: none"> • At power-on/At reset/At tracking cable connection/At operation mode change 	Match the model names of the control system and standby system.	RUN: Off ERR.:Flashing CPU Status:Stop	QnPRH
6036	<p>[UNIT LAY. DIFF.] A difference in the remote I/O configuration of the MELSECNET/H multiplexed remote I/O network between the control system and standby system of a redundant system was detected. (This can be detected from the control system or standby system of the redundant system.)</p> <p>■Collateral information</p> <ul style="list-style-type: none"> • Common information: Module No. • Individual information: - <p>■Diagnostic timing</p> <ul style="list-style-type: none"> • Always 	Check the network cables of the MELSECNET/H multiplexed remote I/O network for disconnection.	RUN: Off ERR.:Flashing CPU Status:Stop	QnPRH
6040	<p>[CARD TYPE DIFF.] In the redundant system, the memory card insertion status (inserted/not inserted) differs between the control system and standby system.</p> <p>■Collateral information</p> <ul style="list-style-type: none"> • Common information: - • Individual information: - <p>■Diagnostic timing</p> <ul style="list-style-type: none"> • At power-on/At reset 	Match the memory card insertion status (inserted/not inserted) of the control system and standby system.	RUN: Off ERR.:Flashing CPU Status:Stop	QnPRH
6041	<p>[CARD TYPE DIFF.] In the redundant system, the memory card type differs between the control system and standby system.</p> <p>■Collateral information</p> <ul style="list-style-type: none"> • Common information: - • Individual information: - <p>■Diagnostic timing</p> <ul style="list-style-type: none"> • At power-on/At reset 	Match the memory card types of the control system and standby system.	RUN: Off ERR.:Flashing CPU Status:Stop	QnPRH

Error code	Error and cause	Corrective action	LED status, CPU status	Corresponding CPU
6050	<p>[CAN'T EXE. MODE] The function inexecutable in the debug mode or operation mode (backup/separate mode) was executed. (This can be detected from the control system or standby system of the redundant system.)</p> <p>■Collateral information</p> <ul style="list-style-type: none"> • Common information: - • Individual information: - <p>■Diagnostic timing</p> <ul style="list-style-type: none"> • Always 	Execute the function executable in the debug mode or operation mode (backup/separate mode).	RUN: On ERR.: On CPU Status: Continue	QnPRH
6060	<p>[CPU MODE DIFF.] In a redundant system, the operation mode (backup/separate) differs between the control system and standby system. (This can be detected from the standby system of the redundant system.)</p> <p>■Collateral information</p> <ul style="list-style-type: none"> • Common information: - • Individual information: - <p>■Diagnostic timing</p> <ul style="list-style-type: none"> • At power-on/At reset/At tracking cable connection 	Match the operation modes of the control system and standby system.	RUN: Off ERR.: Flashing CPU Status: Stop	QnPRH
6061	<p>[CPU MODE DIFF.] In a redundant system, the operation mode (backup/separate) differs between the control system and standby system. (This can be detected from the standby system of the redundant system.)</p> <p>■Collateral information</p> <ul style="list-style-type: none"> • Common information: - • Individual information: - <p>■Diagnostic timing</p> <ul style="list-style-type: none"> • When an END instruction executed 	Match the operation modes of the control system and standby system.	RUN: Off ERR.: Flashing CPU Status: Stop	QnPRH
6062	<p>[CPU MODE DIFF.] Both System A and B are in the same system status (control system). (This can be detected from the system B of the redundant system.)</p> <p>■Collateral information</p> <ul style="list-style-type: none"> • Common information: - • Individual information: - <p>■Diagnostic timing</p> <ul style="list-style-type: none"> • At power-on/At reset/At tracking cable connection 	Power the CPU module (System B) which resulted in a stop error, OFF and then ON.	RUN: Off ERR.: Flashing CPU Status: Stop	QnPRH
6100	<p>[TRK. TRANS. ERR.]</p> <ul style="list-style-type: none"> • An error (e.g. retry limit exceeded) occurred in tracking (data transmission). (This error may be caused by tracking cable removal or other system power-off (including reset).) • The error occurred at a startup since the redundant system startup procedure was not followed. <p>■Collateral information</p> <ul style="list-style-type: none"> • Common information: Tracking transmission data classification • Individual information: - <p>■Diagnostic timing</p> <ul style="list-style-type: none"> • Always 	<ul style="list-style-type: none"> • Check the CPU module or tracking cable. If the same error occurs, the cause is a failure of the CPU module or tracking cable. Please consult your local Mitsubishi representative. • Confirm the redundant system startup procedure, and execute a startup again. 	RUN: On ERR.: On CPU Status: Continue	QnPRH

A

Appendix 1 Error Codes
Appendix 1.8 List of error codes (6000 to 6999)

Error code	Error and cause	Corrective action	LED status, CPU status	Corresponding CPU
6101	<p>[TRK. TRANS. ERR.]</p> <ul style="list-style-type: none"> • A timeout error occurred in tracking (data transmission). (This error may be caused by tracking cable removal or other system power-off (including reset).) • The error occurred at a startup since the redundant system startup procedure was not followed. <p>(This can be detected from the control system or standby system of the redundant system.)</p> <p>■Collateral information</p> <ul style="list-style-type: none"> • Common information: Tracking transmission data classification • Individual information: - <p>■Diagnostic timing</p> <ul style="list-style-type: none"> • Always 	<ul style="list-style-type: none"> • Check the CPU module or tracking cable. If the same error occurs, the cause is a failure of the CPU module or tracking cable. Please consult your local Mitsubishi representative. • Confirm the redundant system startup procedure, and execute a startup again. 	<p>RUN: On ERR.:On</p> <p>CPU Status:Continue</p>	QnPRH
6102	<p>[TRK. TRANS. ERR.]</p> <p>A data sum value error occurred in tracking (data reception). (This can be detected from the control system or standby system of the redundant system.)</p> <p>■Collateral information</p> <ul style="list-style-type: none"> • Common information: - • Individual information: - <p>■Diagnostic timing</p> <ul style="list-style-type: none"> • Always 	<ul style="list-style-type: none"> • Check the CPU module or tracking cable. If the same error occurs, the cause is a failure of the CPU module or tracking cable. Please consult your local Mitsubishi representative. • Confirm the redundant system startup procedure, and execute a startup again. 	<p>RUN: On ERR.:On</p> <p>CPU Status:Continue</p>	QnPRH
6103	<p>[TRK. TRANS. ERR.]</p> <ul style="list-style-type: none"> • A data error (other than sum value error) occurred in tracking (data reception). (This error may be caused by tracking cable removal or other system power-off (including reset).) • The error occurred at a startup since the redundant system startup procedure was not followed. <p>(This can be detected from the control system or standby system of the redundant system.)</p> <p>■Collateral information</p> <ul style="list-style-type: none"> • Common information: - • Individual information: - <p>■Diagnostic timing</p> <ul style="list-style-type: none"> • Always 	<ul style="list-style-type: none"> • Check the CPU module or tracking cable. If the same error occurs, the cause is a failure of the CPU module or tracking cable. Please consult your local Mitsubishi representative. • Confirm the redundant system startup procedure, and execute a startup again. 	<p>RUN: On ERR.:On</p> <p>CPU Status:Continue</p>	QnPRH
6105	<p>[TRK. TRANS. ERR.]</p> <ul style="list-style-type: none"> • An error (e.g. retry limit exceeded) occurred in tracking (data transmission). (This error may be caused by tracking cable removal or other system power-off (including reset).) • The error occurred at a startup since the redundant system startup procedure was not followed. <p>(This can be detected from the control system or standby system of the redundant system.)</p> <p>■Collateral information</p> <ul style="list-style-type: none"> • Common information: Tracking transmission data classification • Individual information: - <p>■Diagnostic timing</p> <ul style="list-style-type: none"> • Always 	<ul style="list-style-type: none"> • Check the CPU module or tracking cable. If the same error occurs, the cause is a failure of the CPU module or tracking cable. Please consult your local Mitsubishi representative. • Confirm the redundant system startup procedure, and execute a startup again. 	<p>RUN: On ERR.:On</p> <p>CPU Status:Continue</p>	QnPRH

Error code	Error and cause	Corrective action	LED status, CPU status	Corresponding CPU
6106	<p>[TRK. TRANS. ERR.]</p> <ul style="list-style-type: none"> A timeout error occurred in tracking (data transmission). (This error may be caused by tracking cable removal or other system power-off (including reset).) The error occurred at a startup since the redundant system startup procedure was not followed. <p>(This can be detected from the control system or standby system of the redundant system.)</p> <p>■Collateral information</p> <ul style="list-style-type: none"> Common information: Tracking transmission data classification Individual information: - <p>■Diagnostic timing</p> <ul style="list-style-type: none"> Always 	<ul style="list-style-type: none"> Check the CPU module or tracking cable. If the same error occurs, the cause is a failure of the CPU module or tracking cable. Please consult your local Mitsubishi representative. Confirm the redundant system startup procedure, and execute a startup again. 	<p>RUN: On ERR.: On</p> <p>CPU Status: Continue</p>	QnPRH
6107	<p>[TRK. TRANS. ERR.]</p> <p>A data sum value error occurred in tracking (data reception). (This can be detected from the control system or standby system of the redundant system.)</p> <p>■Collateral information</p> <ul style="list-style-type: none"> Common information: - Individual information: - <p>■Diagnostic timing</p> <ul style="list-style-type: none"> Always 	<ul style="list-style-type: none"> Check the CPU module or tracking cable. If the same error occurs, the cause is a failure of the CPU module or tracking cable. Please consult your local Mitsubishi representative. Confirm the redundant system startup procedure, and execute a startup again. 	<p>RUN: On ERR.: On</p> <p>CPU Status: Continue</p>	QnPRH
6108	<p>[TRK. TRANS. ERR.]</p> <ul style="list-style-type: none"> A data error (other than sum value error) occurred in tracking (data reception). (This error may be caused by tracking cable removal or other system power-off (including reset).) The error occurred at a startup since the redundant system startup procedure was not followed. <p>(This can be detected from the control system or standby system of the redundant system.)</p> <p>■Collateral information</p> <ul style="list-style-type: none"> Common information: - Individual information: - <p>■Diagnostic timing</p> <ul style="list-style-type: none"> Always 	<ul style="list-style-type: none"> Check the CPU module or tracking cable. If the same error occurs, the cause is a failure of the CPU module or tracking cable. Please consult your local Mitsubishi representative. Confirm the redundant system startup procedure, and execute a startup again. 	<p>RUN: On ERR.: On</p> <p>CPU Status: Continue</p>	QnPRH
6110	<p>[TRK. SIZE ERROR]</p> <p>The tracking capacity exceeded the allowed range. (This can be detected from the control system or standby system of the redundant system.)</p> <p>■Collateral information</p> <ul style="list-style-type: none"> Common information: Reason(s) for tracking size excess error Individual information: - <p>■Diagnostic timing</p> <ul style="list-style-type: none"> When an END instruction executed 	Reexamine the tracking capacity.	<p>RUN: On ERR.: On</p> <p>CPU Status: Continue</p>	QnPRH
6111	<p>[TRK. SIZE ERROR]</p> <p>The control system does not have enough file register capacity for the file registers specified in the tracking settings. (This can be detected from the control system or standby system of the redundant system.)</p> <p>■Collateral information</p> <ul style="list-style-type: none"> Common information: - Individual information: - <p>■Diagnostic timing</p> <ul style="list-style-type: none"> When an END instruction executed 	Switch to the file registers of which capacity is greater than the file registers specified in the tracking settings.	<p>RUN: On ERR.: On</p> <p>CPU Status: Continue</p>	QnPRH

A

Appendix 1 Error Codes
Appendix 1.8 List of error codes (6000 to 6999)

Error code	Error and cause	Corrective action	LED status, CPU status	Corresponding CPU
6112	<p>[TRK. SIZE ERROR] File registers greater than those of the standby system were tracked and transmitted from the control system. (This can be detected from the standby system of the redundant system.)</p> <p>■Collateral information</p> <ul style="list-style-type: none"> • Common information: - • Individual information: - <p>■Diagnostic timing</p> <ul style="list-style-type: none"> • When an END instruction executed 	Switch to the file registers of which capacity is greater than the file registers specified in the tracking settings.	<p>RUN: On ERR.:On</p> <p>CPU Status:Continue</p>	QnPRH
6120	<p>[TRK. CABLE ERR.]</p> <ul style="list-style-type: none"> • A start was made without the tracking cable being connected. • A start was made with the tracking cable faulty. • As the tracking communication hardware of the CPU module was faulty, the CPU module could not communicate with the other system through the tracking cable. <p>(This can be detected from the control system or standby system of the redundant system.)</p> <p>■Collateral information</p> <ul style="list-style-type: none"> • Common information: - • Individual information: - <p>■Diagnostic timing</p> <ul style="list-style-type: none"> • At power-on/At reset 	Connect a tracking cable and start up the module. If the same error occurs, the cause is a failure of the tracking cable or the tracking communication hardware of the CPU module. Please consult your local Mitsubishi representative.	<p>RUN: Off ERR.:Flashing</p> <p>CPU Status:Stop</p>	QnPRH
6130	<p>[TRK. DISCONNECT]</p> <ul style="list-style-type: none"> • The tracking cable was removed. • The tracking cable became faulty while the CPU module is running. • The tracking communication hardware of the CPU module became faulty. <p>(This can be detected from the control system or standby system of the redundant system.)</p> <p>■Collateral information</p> <ul style="list-style-type: none"> • Common information: - • Individual information: - <p>■Diagnostic timing</p> <ul style="list-style-type: none"> • Always 	<ul style="list-style-type: none"> • If the tracking cable was removed, connect the tracking cable to the connectors of the CPU modules of the two systems. • If the error remains even after the above action is taken, the cause is a failure of the tracking cable or the tracking communication hardware of the CPU module. Please consult your local Mitsubishi representative. 	<p>RUN: On ERR.:On</p> <p>CPU Status:Continue</p>	QnPRH
6140	<p>[TRK.INIT. ERROR]</p> <ul style="list-style-type: none"> • The other system did not respond during initial communication at power-on/reset. • The error occurred at a startup since the redundant system startup procedure was not followed. <p>(This can be detected from the control system or standby system of the redundant system.)</p> <p>■Collateral information</p> <ul style="list-style-type: none"> • Common information: - • Individual information: - <p>■Diagnostic timing</p> <ul style="list-style-type: none"> • At power-on/At reset 	<ul style="list-style-type: none"> • Power off and on or reset the CPU module that detects the error. If the same error occurs, the cause is a hardware failure of the CPU module. Please consult your local Mitsubishi representative. • Confirm the redundant system startup procedure, and execute a startup again. 	<p>RUN: Off ERR.:Flashing</p> <p>CPU Status:Stop</p>	QnPRH

Error code	Error and cause	Corrective action	LED status, CPU status	Corresponding CPU
6200	<p>[CONTROL EXE.] The standby system has been switched to the control system in a redundant system. (Detected by the CPU that was switched from the standby system to the control system.) Since this error code does not indicate the error information of the CPU module but indicates its status, the error code and error information are not stored into SD0 to 26, but are stored into the error log every system switching. (To check the error information, obtain the error log using the programming tool.)</p> <p>■Collateral information</p> <ul style="list-style-type: none"> • Common information: Reason(s) for system switching • Individual information: - <p>■Diagnostic timing</p> <ul style="list-style-type: none"> • Always 	—	<p>RUN: On ERR.:Off</p> <p>CPU Status:No error</p>	QnPRH
6210	<p>[STANDBY] The control system has been switched to the standby system in a redundant system. (Detected by the CPU that was switched from the control system to the standby system.) Since this error code does not indicate the error information of the CPU module but indicates its status, the error code and error information are not stored into SD0 to 26, but are stored into the error log every system switching. (To check the error information, obtain the error log using the programming tool.)</p> <p>■Collateral information</p> <ul style="list-style-type: none"> • Common information: Reason(s) for system switching • Individual information: - <p>■Diagnostic timing</p> <ul style="list-style-type: none"> • Always 	—	<p>RUN: On ERR.:Off</p> <p>CPU Status:No error</p>	QnPRH
6220	<p>[CAN'T SWITCH] The system cannot be switched due to a standby system error, tracking cable failure, or online module change being executed in the separate mode. Causes for switching system at control system are as follows:</p> <ul style="list-style-type: none"> • System switching by SP.CONTSW instruction • System switching request from network module <p>■Collateral information</p> <ul style="list-style-type: none"> • Common information: Reason(s) for system switching • Individual information: Reason(s) for system switching failure <p>■Diagnostic timing</p> <ul style="list-style-type: none"> • At switching execution 	<ul style="list-style-type: none"> • Check the status of the standby system and resolve the error. • Complete the online module change. 	<p>RUN: On ERR.:On</p> <p>CPU Status:Continue</p>	QnPRH
6300	<p>[STANDBY SYS. DOWN] Any of the following errors was detected in the backup mode.</p> <ul style="list-style-type: none"> • The standby system has not started up in the redundant system. • The standby system has developed a stop error in the redundant system. • The CPU module in the debug mode was connected to the operating control system. (This can be detected from the control system of the redundant system.) <p>■Collateral information</p> <ul style="list-style-type: none"> • Common information: - • Individual information: - <p>■Diagnostic timing</p> <ul style="list-style-type: none"> • Always 	<ul style="list-style-type: none"> • Check whether the standby system is on or not, and if it is not on, power it on. • Check whether the standby system has been reset or not, and if it has been reset, unreset it. • Check whether the standby system has developed a stop error or not, and if it has developed the error, remove the error factor and restart it. • When the CPU module in the debug mode was connected to the control system operating in the backup mode, make connection so that the control system and standby system are combined correctly. 	<p>RUN: On ERR.:On</p> <p>CPU Status:Continue</p>	QnPRH



Error code	Error and cause	Corrective action	LED status, CPU status	Corresponding CPU
6310	<p>[CONTROL SYS. DOWN] Any of the following errors was detected in the backup mode.</p> <ul style="list-style-type: none"> The control system has not started up in the redundant system. The control system has developed a stop error in the redundant system. The CPU module in the debug mode was connected to the operating standby system. The error occurred at a startup since the redundant system startup procedure was not followed. <p>(This can be detected from the standby system of the redundant system.)</p> <p>■Collateral information</p> <ul style="list-style-type: none"> Common information: - Individual information: - <p>■Diagnostic timing</p> <ul style="list-style-type: none"> Always 	<ul style="list-style-type: none"> The standby system exists but the control system does not exist. Check whether the system other than the standby system is on or not, and if it is not on, power it on. Check whether the system other than the standby system has been reset or not, and if it is has been reset, unreset it. Check whether the system other than the standby system has developed a stop error or not, and if has developed the error, remove the error factor, set the control system and standby system to the same operating status, and restart. When the CPU module in the debug mode was connected to the control system operating in the backup mode, make connection so that the control system and control system are combined correctly. Confirm the redundant system startup procedure, and execute a startup again. 	<p>RUN: Off ERR.:Flashing</p> <p>CPU Status:Stop</p>	QnPRH
6311	<p>[CONTROL SYS. DOWN]</p> <ul style="list-style-type: none"> As consistency check data has not transmitted from the control system in a redundant system, the other system cannot start as a standby system. The error occurred at a startup since the redundant system startup procedure was not followed. <p>(This can be detected from the standby system of the redundant system.)</p> <p>■Collateral information</p> <ul style="list-style-type: none"> Common information: - Individual information: - <p>■Diagnostic timing</p> <ul style="list-style-type: none"> At power-on/At reset 	<ul style="list-style-type: none"> Replace the tracking cable. If the same error occurs, the cause is a hardware failure of the CPU module. Please consult your local Mitsubishi representative. Confirm the redundant system startup procedure, and execute a startup again. 	<p>RUN: Off ERR.:Flashing</p> <p>CPU Status:Stop</p>	QnPRH
6312	<p>[CONTROL SYS. DOWN]</p> <ul style="list-style-type: none"> As consistency check data has not transmitted from the control system in a redundant system, the other system cannot start as a standby system. The error occurred at a startup since the redundant system startup procedure was not followed. <p>(This can be detected from the standby system of the redundant system.)</p> <p>■Collateral information</p> <ul style="list-style-type: none"> Common information: - Individual information: - <p>■Diagnostic timing</p> <ul style="list-style-type: none"> At power-on/At reset 	<ul style="list-style-type: none"> Replace the tracking cable. If the same error occurs, the cause is a hardware failure of the CPU module. Please consult your local Mitsubishi representative. Confirm the redundant system startup procedure, and execute a startup again. 	<p>RUN: Off ERR.:Flashing</p> <p>CPU Status:Stop</p>	QnPRH
6313	<p>[CONTROL SYS. DOWN] The control system detected the error of the system configuration and informed it to the standby system (host system) in the redundant system.</p> <p>■Collateral information</p> <ul style="list-style-type: none"> Common information: - Individual information: - <p>■Diagnostic timing</p> <ul style="list-style-type: none"> At power-on/At reset 	<p>Restart the system after checking that the connection between base unit and the system configuration (type/number/parameter of module) are correct.</p>	<p>RUN: Off ERR.:Flashing</p> <p>CPU Status:Stop</p>	QnPRH

Error code	Error and cause	Corrective action	LED status, CPU status	Corresponding CPU
6400	<p>[PRG. MEM. CLEAR] The memory copy from control system to standby system was executed, and the program memory was cleared.</p> <p>■Collateral information</p> <ul style="list-style-type: none"> • Common information: - • Individual information: - <p>■Diagnostic timing</p> <ul style="list-style-type: none"> • At execution of the memory copy from control system to standby system 	After the memory copy from the control system to the standby system is completed, turn off and then on or reset the system.	RUN: Off ERR.:Flashing CPU Status:Stop	QnPRH
6410	<p>[MEM. COPY EXE.] The memory copy from control system to standby system was executed. (This can be detected from the control system of the redundant system.)</p> <p>■Collateral information</p> <ul style="list-style-type: none"> • Common information: - • Individual information: - <p>■Diagnostic timing</p> <ul style="list-style-type: none"> • At execution of the memory copy from control system to standby system 	—	RUN: On ERR.:On CPU Status:Continue	QnPRH
6500	<p>[TRK. PARA. ERROR] The file register file specified in the tracking setting of "PLC Parameter" does not exist.</p> <p>■Collateral information</p> <ul style="list-style-type: none"> • Common information: File name/Drive name • Individual information: Parameter number <p>■Diagnostic timing</p> <ul style="list-style-type: none"> • At power-on/At reset 	Read the individual information of the error using the programming tool. Check the drive name and file name and correct them, or create the specified file register file.	RUN: Off ERR.:Flashing CPU Status:Stop	QnPRH
6501	<p>[TRK. PARA. ERROR] The file register range specified in the device detail setting of the tracking setting of "PLC Parameter" exceeded the specified file register file capacity.</p> <p>■Collateral information</p> <ul style="list-style-type: none"> • Common information: File name/Drive name • Individual information: Parameter number <p>■Diagnostic timing</p> <ul style="list-style-type: none"> • At power-on/At reset 	Read the individual information of the error using the programming tool, and increase the file register capacity.	RUN: Off ERR.:Flashing CPU Status:Stop	QnPRH

A

Appendix 1.9 List of error codes (7000 to 10000)

The following table shows the error messages, the error contents and causes, and the corrective actions for the error codes (7000 to 10000).

Error code	Error and cause	Corrective action	LED status, CPU status	Corresponding CPU
7000	<p>[MULTI CPU DOWN]</p> <ul style="list-style-type: none"> In the operating mode of a multiple CPU system, a CPU error occurred at the CPU where "All station stop by stop error of CPU " was selected. In a multiple CPU system, a CPU module incompatible with the multiple CPU system was mounted. Any CPU module other than CPU No.1 was disconnected from the base unit during operation. Or any CPU module other than CPU No.1 was reset. At power-on/reset, momentary power failure has occurred. <p>■Collateral information</p> <ul style="list-style-type: none"> Common information: Module No. (CPU No.) Individual information: - <p>■Diagnostic timing</p> <ul style="list-style-type: none"> Always 	<ul style="list-style-type: none"> Read the common information of the error using the programming tool. Check the error in the CPU module, and eliminate the error cause. Remove the CPU module from the main base unit if it does not support the multiple CPU system configuration. Check the mounting status of CPU modules other than CPU No.1 and whether the CPU modules were reset. Check the power supply. The cause is a hardware failure of the power supply module. Please consult your local Mitsubishi representative. 	<p>RUN: Off ERR.:Flashing</p> <p>CPU Status:Stop</p>	<p>Q00/Q01 Qn(H) QnPH QnU</p>
	<p>[MULTI CPU DOWN]</p> <p>In a multiple CPU system, CPU other than CPU No.1 cannot be started up due to stop error of the CPU No.1 at power-on, which occurs to CPU No.2 to No.4.</p> <p>■Collateral information</p> <ul style="list-style-type: none"> Common information: Module No. (CPU No.) Individual information: - <p>■Diagnostic timing</p> <ul style="list-style-type: none"> At power-on/At reset 	<p>Read the common information of the error using the programming tool. Check the error in the CPU module, and eliminate the error cause.</p>	<p>RUN: Off ERR.:Flashing</p> <p>CPU Status:Stop</p>	<p>Q00/Q01 Qn(H) QnPH QnU</p>
7002	<p>[MULTI CPU DOWN]</p> <ul style="list-style-type: none"> There is no response from the target CPU module in a multiple CPU system during initial communication. In a multiple CPU system, a CPU module incompatible with the multiple CPU system was mounted. <p>■Collateral information</p> <ul style="list-style-type: none"> Common information: Module No. (CPU No.) Individual information: - <p>■Diagnostic timing</p> <ul style="list-style-type: none"> At power-on/At reset 	<ul style="list-style-type: none"> Reset the CPU module and run it again. If the same error code is displayed again, the cause is a hardware failure of any of the CPU modules. Please consult your local Mitsubishi representative. Remove the CPU module from the main base unit if it does not support a multiple CPU system configuration. Alternatively, replace the CPU module that does not support a multiple system configuration with the one that does. 	<p>RUN: Off ERR.:Flashing</p> <p>CPU Status:Stop</p>	<p>Q00/Q01 Qn(H) QnPH</p>
	<p>[MULTI CPU DOWN]</p> <p>There is no response from the target CPU module in a multiple CPU system during initial communication.</p> <p>■Collateral information</p> <ul style="list-style-type: none"> Common information: Module No. (CPU No.) Individual information: - <p>■Diagnostic timing</p> <ul style="list-style-type: none"> At power-on/At reset 	<p>Reset the CPU module and run it again. If the same error code is displayed again, the cause is a hardware failure of any of the CPU modules. Please consult your local Mitsubishi representative.</p>		<p>QnU</p>
7003	<p>[MULTI CPU DOWN]</p> <p>There is no response from the target CPU module in a multiple CPU system at initial communication stage.</p> <p>■Collateral information</p> <ul style="list-style-type: none"> Common information: Module No. (CPU No.) Individual information: - <p>■Diagnostic timing</p> <ul style="list-style-type: none"> At power-on/At reset 	<p>Reset the CPU module and run it again. If the same error code is displayed again, the cause is a hardware failure of any of the CPU modules. Please consult your local Mitsubishi representative.</p>	<p>RUN: Off ERR.:Flashing</p> <p>CPU Status:Stop</p>	<p>Q00/Q01 Qn(H) QnPH QnU</p>

Error code	Error and cause	Corrective action	LED status, CPU status	Corresponding CPU
7004	<p>[MULTI CPU DOWN] In a multiple CPU system, a data error occurred in communication between the CPU modules.</p> <p>■Collateral information</p> <ul style="list-style-type: none"> Common information: Module No. (CPU No.) Individual information: - <p>■Diagnostic timing</p> <ul style="list-style-type: none"> Always 	<ul style="list-style-type: none"> Check the system configuration to see if modules are mounted in excess of the number of I/O points. If there is no problem in the system configuration, the cause is a hardware failure of the CPU module. Please consult your local Mitsubishi representative. 	<p>RUN: Off ERR.:Flashing</p> <p>CPU Status:Stop</p>	<p>Q00/Q01 QnU</p>
7010	<p>[MULTI EXE. ERROR]</p> <ul style="list-style-type: none"> In a multiple CPU system, a faulty CPU module was mounted. In a multiple CPU system, a CPU module incompatible with the multiple CPU system was mounted. (The CPU module compatible with the multiple CPU system was used to detect an error.) In a multiple CPU system, any of the CPU No. 2 to 4 was reset with power ON. (The CPU whose reset state was cancelled was used to detect an error.) <p>■Collateral information</p> <ul style="list-style-type: none"> Common information: Module No. (CPU No.) Individual information: - <p>■Diagnostic timing</p> <ul style="list-style-type: none"> At power-on/At reset 	<ul style="list-style-type: none"> Read the common information of the error using the programming tool and replace the faulty CPU module. Replace the CPU module with the one compatible with the multiple CPU system. Do not reset any of the No. 2 to 4 CPU modules. Reset CPU No. 1 and restart the multiple CPU system. 	<p>RUN: Off ERR.:Flashing</p> <p>CPU Status:Stop</p>	<p>Q00/Q01 Qn(H) QnPH QnU</p>
	<p>[MULTI EXE. ERROR] In a multiple CPU system, the version of the software package (PPC-DRV-01)² for the PC CPU module is 1.06 or earlier.</p> <p>■Collateral information</p> <ul style="list-style-type: none"> Common information: Module No. (CPU No.) Individual information: - <p>■Diagnostic timing</p> <ul style="list-style-type: none"> At power-on/At reset 	<p>Change the software package (PPC-DRV-01)² for the PC CPU module to the version 1.07 or later.</p>		<p>Q00/Q01</p>
	<p>[MULTI EXE. ERROR] The Q172(H)CPU(N) or Q173(H)CPU(N) is mounted on the multiple CPU high-speed main base unit (Q3□DB). (This may result in a module failure.)</p> <p>■Collateral information</p> <ul style="list-style-type: none"> Common information: Module No. (CPU No.) Individual information: - <p>■Diagnostic timing</p> <ul style="list-style-type: none"> At power-on/At reset 	<p>Replace the Q172(H)CPU(N) and Q173(H)CPU(N) with the Motion CPU compatible with the multiple CPU high-speed main base unit.</p>		<p>Qn(H) QnPH</p>
	<p>[MULTI EXE. ERROR] The Universal model QCPU (except Q02UCPU) and Q172(H)CPU(N) are mounted on the same base unit. (This may result in a module failure.)</p> <p>■Collateral information</p> <ul style="list-style-type: none"> Common information: Module No. (CPU No.) Individual information: - <p>■Diagnostic timing</p> <ul style="list-style-type: none"> At power-on/At reset 	<p>Check the QCPU and Motion CPU that can be used in a multiple CPU system, and change the system configuration.</p>		

A

Appendix 1 Error Codes
Appendix 1.9 List of error codes (7000 to 10000)

Error code	Error and cause	Corrective action	LED status, CPU status	Corresponding CPU
7011	<p>[MULTI EXE. ERROR] Either of the following settings was made in a multiple CPU system.</p> <ul style="list-style-type: none"> Multiple CPU automatic refresh setting was made for the inapplicable CPU module. "I/O sharing when using multiple CPUs" setting was made for the inapplicable CPU module. <p>■Collateral information</p> <ul style="list-style-type: none"> Common information: Module No. (CPU No.) Individual information: - <p>■Diagnostic timing</p> <ul style="list-style-type: none"> At power-on/At reset 	<ul style="list-style-type: none"> Correct the multiple CPU automatic refresh setting. Correct the "I/O sharing when using multiple CPUs" setting. 		Q00/Q01 QnU
	<p>[MULTI EXE. ERROR] The system configuration for using the multiple CPU high speed transmission function is not met.</p> <ul style="list-style-type: none"> The Universal model QCPU (except Q00UCPU, Q01UCPU, Q02UCPU) is not used for the CPU No.1. The multiple CPU high speed main base unit (Q3□DB) is not used. Points other than 0 is set to the send range for the CPU module incompatible with the multiple CPU high speed transmission function. Points other than 0 are set to the auto refresh send range for the multiple CPU high-speed transmission area even though the CPU module does not support the use of this area. <p>■Collateral information</p> <ul style="list-style-type: none"> Common information: Module No. (CPU No.) Individual information: - <p>■Diagnostic timing</p> <ul style="list-style-type: none"> At power-on/At reset 	<ul style="list-style-type: none"> Change the system configuration to meet the conditions for using the multiple CPU high speed transmission function. When auto refresh is performed for the multiple CPU high-speed transmission area, set 0 point to the auto refresh send range of the CPU module that does not support the use of this area. 	<p>RUN: Off ERR.:Flashing</p> <p>CPU Status:Stop</p>	QnU
7013	<p>[MULTI EXE. ERROR] The Q172(H)CPU(N) or Q173(H)CPU(N) is mounted to the CPU slot or slots 0 to 2. (This may result in a module failure.)</p> <p>■Collateral information</p> <ul style="list-style-type: none"> Common information: Module No. (CPU No.) Individual information: - <p>■Diagnostic timing</p> <ul style="list-style-type: none"> At power-on/At reset 	<ul style="list-style-type: none"> Check the QCPU and Motion CPU that can be used in a multiple CPU system, and change the system configuration. Remove the Motion CPU incompatible with the multiple CPU system. 	<p>RUN: Off ERR.:Flashing</p> <p>CPU Status:Stop</p>	QnU
7020	<p>[MULTI CPU ERROR] In a multiple CPU system, an error occurred in the CPU module where "All station stop by stop error of CPU" was not selected in the operating mode setting. (The CPU module where no error occurred was used to detect an error.)</p> <p>■Collateral information</p> <ul style="list-style-type: none"> Common information: Module No. (CPU No.) Individual information: - <p>■Diagnostic timing</p> <ul style="list-style-type: none"> Always 	<p>Read the common information of the error using the programming tool. Check the error in the CPU module, and eliminate the error cause.</p>	<p>RUN: On ERR.:On</p> <p>CPU Status:Continue</p>	Q00/Q01 Qn(H) QnPH QnU
7030	<p>[CPU LAY ERROR] An assignment error occurred in the CPU-mountable slot (CPU slot, I/O slot 0, 1) in excess of the number of CPU modules specified in the multiple CPU setting of "PLC Parameter".</p> <p>■Collateral information</p> <ul style="list-style-type: none"> Common information: Module No. (CPU No.) Individual information: - <p>■Diagnostic timing</p> <ul style="list-style-type: none"> At power-on/At reset 	<ul style="list-style-type: none"> Set the same value to the number of CPU modules specified in the multiple CPU setting of "PLC Parameter" and the number of mounted CPU modules (including CPU (empty)). Make the type specified in the I/O assignment setting of "PLC Parameter" consistent with the CPU module configuration. 	<p>RUN: Off ERR.:Flashing</p> <p>CPU Status:Stop</p>	Q00J/Q00/Q01 QnU

Error code	Error and cause	Corrective action	LED status, CPU status	Corresponding CPU
7031	<p>[CPU LAY ERROR] An assignment error occurred within the range of the number of CPUs specified in the multiple CPU setting of "PLC Parameter".</p> <p>■Collateral information</p> <ul style="list-style-type: none"> • Common information: Module No. (CPU No.) • Individual information: - <p>■Diagnostic timing</p> <ul style="list-style-type: none"> • At power-on/At reset 	<ul style="list-style-type: none"> • Set the same value to the number of CPU modules specified in the multiple CPU setting of "PLC Parameter" and the number of mounted CPU modules (including CPU (empty)). • Make the type specified in the I/O assignment setting of "PLC Parameter" consistent with the CPU module configuration. 	<p>RUN: Off ERR.:Flashing</p> <p>CPU Status:Stop</p>	Q00J/Q00/Q01 QnU
7032	<p>[CPU LAY ERROR] The number of CPU modules mounted in a multiple CPU system is wrong.</p> <p>■Collateral information</p> <ul style="list-style-type: none"> • Common information: Module No. (CPU No.) • Individual information: - <p>■Diagnostic timing</p> <ul style="list-style-type: none"> • At power-on/At reset 	Configure a system so that the number of mountable modules of each CPU module does not exceed the maximum number of mountable modules specified in the specification.	<p>RUN: Off ERR.:Flashing</p> <p>CPU Status:Stop</p>	Q00J/Q00/Q01 QnU
7035	<p>[CPU LAY ERROR] The CPU module has been mounted on the inapplicable slot.</p> <p>■Collateral information</p> <ul style="list-style-type: none"> • Common information: Module No. (Slot No.) • Individual information: - <p>■Diagnostic timing</p> <ul style="list-style-type: none"> • At power-on/At reset 	<ul style="list-style-type: none"> • Mount the CPU module on the applicable slot. • Remove the CPU module from the slot where a CPU module cannot be mounted. 	<p>RUN: Off ERR.:Flashing</p> <p>CPU Status:Stop</p>	Q00J/Q00/Q01 QnPRH QnU
7036	<p>[CPU LAY ERROR] The host CPU No. set by the multiple CPU setting and the host CPU No. determined by the mounting position of the CPU module are not the same.</p> <p>■Collateral information</p> <ul style="list-style-type: none"> • Common information: Module No. (CPU No.) • Individual information: - <p>■Diagnostic timing</p> <ul style="list-style-type: none"> • At power-on/At reset 	<ul style="list-style-type: none"> • Mount the mounting slot of the CPU module correctly. • Correct the host CPU No. set by the multiple CPU setting to the CPU No. determined by the mounting position of the CPU module. 	<p>RUN: Off ERR.:Flashing</p> <p>CPU Status:Stop</p>	QnU
8031	<p>[INCORRECT FILE] The error of stored file (enabled parameter file) is detected.</p> <p>■Collateral information</p> <ul style="list-style-type: none"> • Common information: - • Individual information: File diagnostic information <p>■Diagnostic timing</p> <ul style="list-style-type: none"> • At power-on/At reset/STOP → RUN/At writing to programmable controller 	Write the files shown in SD17 to SD22 (individual information) to the drive shown in SD16 (L) (individual information). Turn off and then on or reset the CPU module. If the same error code is displayed again, the cause is a hardware failure of the CPU module. Please consult your local Mitsubishi representative.	<p>RUN: Off ERR.:Flashing</p> <p>CPU Status:Stop</p>	QnU LCPU
9000	<p>[F****] Annunciator (F) turned on. (The "*****" portion of the error message indicates an annunciator number.)</p> <p>■Collateral information</p> <ul style="list-style-type: none"> • Common information: Program error location • Individual information: Annunciator number <p>■Diagnostic timing</p> <ul style="list-style-type: none"> • When instruction executed 	Read the individual information of the error using the programming tool to identify the numeric value (annunciator number). Check the program corresponding to the value.	<p>RUN: On ERR.:On/Off*¹ USER:On*³</p> <p>CPU Status:Continue</p>	QCPU LCPU

A

Appendix 1 Error Codes
Appendix 1.9 List of error codes (7000 to 10000)

Error code	Error and cause	Corrective action	LED status, CPU status	Corresponding CPU
9010	<p>[<CHK>ERR ***.***] Error detected by the CHK instruction. (The "****" portion of the error message indicates the numbers of contact and coil that have been detected.)</p> <p>■Collateral information</p> <ul style="list-style-type: none"> • Common information: Program error location • Individual information: Failure No. <p>■Diagnostic timing</p> <ul style="list-style-type: none"> • When instruction executed 	Read the individual information of the error using the programming tool to identify the numeric value (error number). Check the program corresponding to the value.	RUN: On ERR.:Off USER:On CPU Status:Continue	Qn(H) QnPH QnPRH
9020	<p>[BOOT OK] Storage of data onto ROM was completed normally in automatic write to the standard ROM. (The BOOT LED also flashes.)</p> <p>■Collateral information</p> <ul style="list-style-type: none"> • Common information: - • Individual information: - <p>■Diagnostic timing</p> <ul style="list-style-type: none"> • At power-on/At reset 	Use the DIP switches to set the valid parameter drive to the standard ROM. Then, switch power on again, and perform boot operation from the standard ROM.	RUN: Off ERR.:Flashing CPU Status:Stop	Qn(H) QnPH QnPRH
9100	<p>[PID ERROR] A data error has occurred in control parameter because the sampling time (T_S) setting is out of the range ($T_S \leq 0$). Or, an error has occurred during PID operation.</p> <p>■Collateral information</p> <ul style="list-style-type: none"> • Common information: Program error location • Individual information: - <p>■Diagnostic timing</p> <ul style="list-style-type: none"> • When instruction executed 	Check and correct the control parameter setting.	RUN: On ERR.:On CPU Status:Continue	LCPU QnUDV QnUDPV
9101	<p>[PID ERROR] A data error has occurred in control parameter or during PID operation because the input filter constant (α) setting is out of the range ($\alpha < 0$ or $100 \leq \alpha$).</p> <p>■Collateral information</p> <ul style="list-style-type: none"> • Common information: Program error location • Individual information: - <p>■Diagnostic timing</p> <ul style="list-style-type: none"> • When instruction executed 	Check and correct the control parameter setting.	RUN: On ERR.:On CPU Status:Continue	LCPU QnUDV QnUDPV
9102	<p>[PID ERROR] A data error has occurred in control parameter or during PID operation because the proportional gain (K_P) setting is out of the range ($K_P < 0$).</p> <p>■Collateral information</p> <ul style="list-style-type: none"> • Common information: Program error location • Individual information: - <p>■Diagnostic timing</p> <ul style="list-style-type: none"> • When instruction executed 	Check and correct the control parameter setting.	RUN: On ERR.:On CPU Status:Continue	LCPU QnUDV QnUDPV
9103	<p>[PID ERROR] A data error has occurred in control parameter or during PID operation because the integral time (T_I) setting is out of the range ($T_I < 0$).</p> <p>■Collateral information</p> <ul style="list-style-type: none"> • Common information: Program error location • Individual information: - <p>■Diagnostic timing</p> <ul style="list-style-type: none"> • When instruction executed 	Check and correct the control parameter setting.	RUN: On ERR.:On CPU Status:Continue	LCPU QnUDV QnUDPV
9104	<p>[PID ERROR] A data error has occurred in control parameter or during PID operation because the derivative gain (K_D) setting is out of the range ($K_D < 0$ or $201 \leq K_D$).</p> <p>■Collateral information</p> <ul style="list-style-type: none"> • Common information: Program error location • Individual information: - <p>■Diagnostic timing</p> <ul style="list-style-type: none"> • When instruction executed 	Check and correct the control parameter setting.	RUN: On ERR.:On CPU Status:Continue	LCPU QnUDV QnUDPV

Error code	Error and cause	Corrective action	LED status, CPU status	Corresponding CPU
9105	<p>[PID ERROR] A data error has occurred in control parameter or during PID operation because the derivative time (T_D) setting is out of the range ($T_D < 0$).</p> <p>■ Collateral information</p> <ul style="list-style-type: none"> • Common information: Program error location • Individual information: - <p>■ Diagnostic timing</p> <ul style="list-style-type: none"> • When instruction executed 	Check and correct the control parameter setting.	RUN: On ERR.: On CPU Status: Continue	LCPU QnUDV QnUDPV
9106	<p>[PID ERROR] The sampling time (T_S) setting is shorter than the operation cycle.</p> <p>■ Collateral information</p> <ul style="list-style-type: none"> • Common information: Program error location • Individual information: - <p>■ Diagnostic timing</p> <ul style="list-style-type: none"> • When instruction executed 	Set the sampling time (T_S) so that it will be longer than the operation cycle.	RUN: On ERR.: On CPU Status: Continue	LCPU QnUDV QnUDPV
9107	<p>[PID ERROR] The change rate of process value (ΔPV) is out of the range, -32768 to 32767.</p> <p>■ Collateral information</p> <ul style="list-style-type: none"> • Common information: Program error location • Individual information: - <p>■ Diagnostic timing</p> <ul style="list-style-type: none"> • When instruction executed 	Check the process value.	RUN: On ERR.: On CPU Status: Continue	LCPU QnUDV QnUDPV
9108	<p>[PID ERROR] The error (EV) is out of the range, -32768 to 32767.</p> <p>■ Collateral information</p> <ul style="list-style-type: none"> • Common information: Program error location • Individual information: - <p>■ Diagnostic timing</p> <ul style="list-style-type: none"> • When instruction executed 	Check the process value.	RUN: On ERR.: On CPU Status: Continue	LCPU QnUDV QnUDPV
9109	<p>[PID ERROR] The integral result is out of the range, -32768 to 32767.</p> <p>■ Collateral information</p> <ul style="list-style-type: none"> • Common information: Program error location • Individual information: - <p>■ Diagnostic timing</p> <ul style="list-style-type: none"> • When instruction executed 	<ul style="list-style-type: none"> • Check the process value. • Check and correct the control parameter setting. 	RUN: On ERR.: On CPU Status: Continue	LCPU QnUDV QnUDPV
9110	<p>[PID ERROR] The derivative value has exceeded the limit because of the derivative gain (K_D).</p> <p>■ Collateral information</p> <ul style="list-style-type: none"> • Common information: Program error location • Individual information: - <p>■ Diagnostic timing</p> <ul style="list-style-type: none"> • When instruction executed 	<ul style="list-style-type: none"> • Check the process value. • Check and correct the control parameter setting. 	RUN: On ERR.: On CPU Status: Continue	LCPU QnUDV QnUDPV
9111	<p>[PID ERROR] The derivative result is out of the range, -32768 to 32767.</p> <p>■ Collateral information</p> <ul style="list-style-type: none"> • Common information: Program error location • Individual information: - <p>■ Diagnostic timing</p> <ul style="list-style-type: none"> • When instruction executed 	<ul style="list-style-type: none"> • Check the process value. • Check and correct the control parameter setting. 	RUN: On ERR.: On CPU Status: Continue	LCPU QnUDV QnUDPV
9112	<p>[PID ERROR] The PID operation result is out of the range, -32768 to 32767.</p> <p>■ Collateral information</p> <ul style="list-style-type: none"> • Common information: Program error location • Individual information: - <p>■ Diagnostic timing</p> <ul style="list-style-type: none"> • When instruction executed 	<ul style="list-style-type: none"> • Check the process value. • Check and correct the control parameter setting. 	RUN: On ERR.: On CPU Status: Continue	LCPU QnUDV QnUDPV

A

Appendix 1 Error Codes
Appendix 1.9 List of error codes (7000 to 10000)

Error code	Error and cause	Corrective action	LED status, CPU status	Corresponding CPU
9113	<p>[PID ERROR] The output upper limit setting value is smaller than the output lower limit setting value.</p> <p>■Collateral information</p> <ul style="list-style-type: none"> • Common information: Program error location • Individual information: - <p>■Diagnostic timing</p> <ul style="list-style-type: none"> • When instruction executed 	Set the values so that the output upper limit setting value becomes larger than the output lower limit setting value.	RUN: On ERR.:On CPU Status:Continue	LPCU QnUDV QnUDPV
9114	<p>[PID ERROR] The input or output change rate alarm setting value is smaller than 0.</p> <p>■Collateral information</p> <ul style="list-style-type: none"> • Common information: Program error location • Individual information: - <p>■Diagnostic timing</p> <ul style="list-style-type: none"> • When instruction executed 	Set 0 or larger to the input or output change rate alarm setting value.	RUN: On ERR.:On CPU Status:Continue	LPCU QnUDV QnUDPV
9115	<p>[PID ERROR]</p> <ul style="list-style-type: none"> • The error at the start of auto tuning (step response method) is 150 or less. • The error at the end of auto tuning (step response method) is 1/3 or more of the error at the start of auto tuning. <p>■Collateral information</p> <ul style="list-style-type: none"> • Common information: Program error location • Individual information: - <p>■Diagnostic timing</p> <ul style="list-style-type: none"> • When instruction executed 	Check the process value and set value, and execute auto tuning again.	RUN: On ERR.:On CPU Status:Continue	LPCU QnUDV QnUDPV
9116	<p>[PID ERROR] The operating direction estimated from the process value at the start of auto tuning (step response method) does not match the actual operating direction output by auto tuning (step response method).</p> <p>■Collateral information</p> <ul style="list-style-type: none"> • Common information: Program error location • Individual information: - <p>■Diagnostic timing</p> <ul style="list-style-type: none"> • When instruction executed 	Correct the relationship among the set value, manipulated value for auto tuning (step response method), and process value, and execute auto tuning again.	RUN: On ERR.:On CPU Status:Continue	LPCU QnUDV QnUDPV
9117	<p>[PID ERROR] Auto tuning (step response method) does not operate properly.</p> <p>■Collateral information</p> <ul style="list-style-type: none"> • Common information: Program error location • Individual information: - <p>■Diagnostic timing</p> <ul style="list-style-type: none"> • When instruction executed 	Set the sampling time so that it will be longer than the operation cycle, or set a larger value for the input filter constant. Change the settings, and execute auto tuning again.	RUN: On ERR.:On CPU Status:Continue	LPCU QnUDV QnUDPV
9118	<p>[PID ERROR] The output upper limit (ULV) for auto tuning (limit cycle method) is smaller than the output lower limit (LLV).</p> <p>■Collateral information</p> <ul style="list-style-type: none"> • Common information: Program error location • Individual information: - <p>■Diagnostic timing</p> <ul style="list-style-type: none"> • When instruction executed 	Set the values so that the output upper limit (ULV) becomes larger than the output lower limit (LLV).	RUN: On ERR.:On CPU Status:Continue	LPCU QnUDV QnUDPV
9119	<p>[PID ERROR] The PV threshold (hysteresis) setting value for auto tuning (limit cycle method) is smaller than 0.</p> <p>■Collateral information</p> <ul style="list-style-type: none"> • Common information: Program error location • Individual information: - <p>■Diagnostic timing</p> <ul style="list-style-type: none"> • When instruction executed 	Set 0 or larger to the PV threshold (hysteresis) setting value.	RUN: On ERR.:On CPU Status:Continue	LPCU QnUDV QnUDPV

Error code	Error and cause	Corrective action	LED status, CPU status	Corresponding CPU
9120	<p>[PID ERROR] Data in the system area used for auto tuning (limit cycle method) have been overwritten.</p> <p>■Collateral information</p> <ul style="list-style-type: none"> • Common information: Program error location • Individual information: - <p>■Diagnostic timing</p> <ul style="list-style-type: none"> • When instruction executed 	Check that data in the system area occupied by the PID instructions are not overwritten.	RUN: On ERR.: On CPU Status: Continue	LCPU QnUDV QnUDPV
9121	<p>[PID ERROR] The operation result is abnormal because the auto tuning (limit cycle method) measurement time has exceeded. ($\tau_{ON} > \tau$, $\tau_{ON} < 0$, $\tau < 0$)</p> <p>■Collateral information</p> <ul style="list-style-type: none"> • Common information: Program error location • Individual information: - <p>■Diagnostic timing</p> <ul style="list-style-type: none"> • When instruction executed 	Increase the difference between the output upper limit and lower limit (ULV-LLV) for auto tuning, or set a smaller value to the input filter constant (α) or the PV threshold (SH_{PV}). Then, check the result again.	RUN: On ERR.: On CPU Status: Continue	LCPU QnUDV QnUDPV
9122	<p>[PID ERROR]</p> <ul style="list-style-type: none"> • The proportional gain (K_P) resulted from auto tuning (limit cycle method) is out of the range, 0 to 32767. • The rate of change in the process value (PV) is smaller compared with that in the output value. <p>■Collateral information</p> <ul style="list-style-type: none"> • Common information: Program error location • Individual information: - <p>■Diagnostic timing</p> <ul style="list-style-type: none"> • When instruction executed 	Multiply the process value (PV) by ten so that the rate of change in the PV increases during auto tuning.	RUN: On ERR.: On CPU Status: Continue	LCPU QnUDV QnUDPV
9123	<p>[PID ERROR]</p> <ul style="list-style-type: none"> • The integral time (T_I) resulted from auto tuning (limit cycle method) is out of the range, 0 to 32767. • The auto tuning time is longer than necessary. <p>■Collateral information</p> <ul style="list-style-type: none"> • Common information: Program error location • Individual information: - <p>■Diagnostic timing</p> <ul style="list-style-type: none"> • When instruction executed 	Increase the difference between the output upper limit and lower limit (ULV-LLV) for auto tuning, or set a smaller value to the input filter constant (α) or the PV threshold (SH_{PV}). Then, check the result again.	RUN: On ERR.: On CPU Status: Continue	LCPU QnUDV QnUDPV
9124	<p>[PID ERROR]</p> <ul style="list-style-type: none"> • The derivative time (T_D) resulted from auto tuning (limit cycle method) is out of the range, 0 to 32767. • The auto tuning time is longer than necessary. <p>■Collateral information</p> <ul style="list-style-type: none"> • Common information: Program error location • Individual information: - <p>■Diagnostic timing</p> <ul style="list-style-type: none"> • When instruction executed 	Increase the difference between the output upper limit and lower limit (ULV-LLV) for auto tuning, or set a smaller value to the input filter constant (α) or the PV threshold (SH_{PV}). Then, check the result again.	RUN: On ERR.: On CPU Status: Continue	LCPU QnUDV QnUDPV
10000	<p>[CONT. UNIT ERROR] In the multiple CPU system, an error occurred in the CPU module other than the Process CPU and High Performance model QCPU.</p> <p>■Collateral information</p> <ul style="list-style-type: none"> • Common information: - • Individual information: - <p>■Diagnostic timing</p> <ul style="list-style-type: none"> • Always 	To check the details of the error, connect a programming tool to the corresponding CPU module.	RUN: Off ERR.: Flashing CPU Status: Continue	Qn(H) QnPH

*1 For the Basic model QCPU, this LED can be turned on/off using the LED control function. (For the High Performance model QCPU, Process CPU, Redundant CPU, Universal model QCPU, and LCP, the LED can only be turned off.)

☞ User's Manual (Function Explanation, Program Fundamentals) for the CPU module used

*2 The product name is the MELSEC- Q series compatible PC CPU module bus interface driver software package.

*3 The Basic model QCPU does not have the USER LED.

A

Appendix 1 Error Codes
Appendix 1.9 List of error codes (7000 to 10000)

Appendix 1.10 Clearing an error

An error can be cleared as far as the CPU module continues its operation regardless of the error.

- 1. Remove the error cause.**
- 2. Store the error code to be cleared in SD50.**
- 3. Turn on SM50.**
- 4. The error is cleared.**

When the error in the CPU module is cleared, the special relay and special register or LEDs relating to the error return to the status before the error. If the same error occurs after clearing the error, the error will be registered to the error history again.

When multiple annunciators are detected, only the first annunciator detected can be cleared. For details on clearing errors, refer to the following.

 User's Manual (Function Explanation, Program Fundamentals) for the CPU module used

Appendix 1.11 Error codes returned to request source during communication with CPU module

If an error occurs at communication request from a programming tool, intelligent function module, or network system, the CPU module returns the error code to the request source.

This error code is not stored in SD0 because the error is not the one detected by the self-diagnostic function of the CPU module.

When the request source is a programming tool, a message and an error code are displayed on the programming tool. When the request source is an intelligent function module or network system, the CPU module returns an error code to the request source.

Error code (Hexadecimal)	Error item	Error details	Corrective action	Corresponding CPU
0050 _H	MC protocol related error	A code different from the one specified is set to the command/response type of the subheader.	<ul style="list-style-type: none"> Check the command data of the MC protocol, etc. Execute again. If the same error code is displayed, please consult your local Mitsubishi representative. 	QCPU LCPU
4000 _H	Common error	Serial communication sum check error	<ul style="list-style-type: none"> Connect the serial communication cable correctly. Take measures to reduce noise. 	QCPU LCPU
4001 _H	Common error	Unsupported request was executed.	<ul style="list-style-type: none"> Check the command data of the MC protocol, etc. Check the CPU module model name selected in the programming tool. 	QCPU LCPU
4002 _H	Common error	Unsupported request was executed.	<ul style="list-style-type: none"> Check the command data of the MC protocol, etc. Check the CPU module model name selected in the programming tool. Execute again. If the same error code is displayed, please consult your local Mitsubishi representative. 	QCPU LCPU
4003 _H	Common error	Command for which a global request cannot be performed was executed.	Check the command data of the MC protocol, etc.	QCPU LCPU
4004 _H	Common error	Any operation for the CPU module is prohibited by the system protect function provided against the following events. <ul style="list-style-type: none"> The system protect switch is ON. The CPU module is starting. 	<ul style="list-style-type: none"> Set the system protect switch of the CPU module to OFF. Perform operation again after the CPU module has completed starting. 	QCPU LCPU
4005 _H	Common error	The volume of data handled according to the specified request is too large.	Check the command data of the MC protocol, etc.	QCPU LCPU
4006 _H	Common error	Initial communication failed.	<ul style="list-style-type: none"> When using serial communication, inquire of the external device manufacturer for support conditions. When using serial communication, check the CPU module model name selected in the programming tool. When using Ethernet communication, change the start timing of the communication. 	QCPU LCPU
4008 _H	Common error	The CPU module is BUSY. (The buffer is not vacant).	After the free time has passed, re-execute the request.	QCPU
4010 _H	CPU mode error	Since the CPU module is running, the request contents cannot be executed.	Execute after setting the CPU module to STOP status.	QCPU LCPU
4013 _H	CPU mode error	Since the CPU module is not in a STOP status, the request contents cannot be executed.	Execute after setting the CPU module to STOP status.	QCPU LCPU
4021 _H	CPU file related error	The specified drive memory does not exist or there is an error.	<ul style="list-style-type: none"> Check the specified drive memory status. After backing up the data in the CPU module, format the CPU memory. 	QCPU LCPU
4022 _H	CPU file related error	The file with the specified file name or file No. does not exist.	Check the specified file name and file No.	QCPU LCPU

A

Appendix 1 Error Codes
Appendix 1.11 Error codes returned to request source during communication with CPU module

Error code (Hexadecimal)	Error item	Error details	Corrective action	Corresponding CPU
4023 _H	CPU file related error	The file name and file No. of the specified file do not match.	Delete the file and then recreate the file.	QCPU LCPU
4024 _H	CPU file related error	The specified file cannot be handled by a user.	Do not access the specified file.	QCPU LCPU
4025 _H	CPU file related error	The specified file is processing the request from another programming tool.	Forcibly execute the request, or send the request again after the processing being performed ends.	QCPU LCPU
4026 _H	CPU file related error	The file password set in advance to the target drive (memory) must be specified.	Specify the file password set in advance, and then access to the drive (memory).	QCPU LCPU
4027 _H	CPU file related error	The specified range is larger than the file size range.	Check the specified range and access within that range.	QCPU LCPU
4028 _H	CPU file related error	The same file already exists.	Forcibly execute the request, or change the file name and execute the request again.	QCPU LCPU
4029 _H	CPU file related error	The specified file capacity cannot be obtained.	Review the specified file capacity, or clean up the specified drive (memory) and execute the request again.	QCPU LCPU
402A _H	CPU file related error	The specified file is abnormal.	After backing up the data in the CPU module, format the CPU memory.	QCPU LCPU
402B _H	CPU file related error	The request contents cannot be executed in the specified drive memory.	Execute again after setting the CPU module to the STOP status. Execute programmable controller memory arrangement to increase the continuous free space of the drive (memory).	QCPU LCPU
402C _H	CPU file related error	The requested operation cannot be executed currently.	Execute again after a while.	QCPU LCPU
4030 _H	CPU device specified error	<ul style="list-style-type: none"> The specified device name cannot be handled. The device number of 65536 or greater is specified for the CPU module that does not support extended data register (D) and extended link register (W). 	<ul style="list-style-type: none"> Check the specified device name. Use a CPU module that supports extended data register (D) and extended link register (W). 	QCPU LCPU
4031 _H	CPU device specified error	<ul style="list-style-type: none"> The specified device No. is outside the range. The CPU module cannot handle the specified device. 	<ul style="list-style-type: none"> Check the specified device No. Check the device assignment parameters of the CPU module. Check the specified device name. 	QCPU LCPU
4032 _H	CPU device specified error	There is a mistake in the specified device qualification. The unusable device name must be specified in MC protocol random reading, random writing (word), monitor registration, and monitor command.	<ul style="list-style-type: none"> Check the specified device qualification method. Check the specified device name. 	QCPU LCPU
4033 _H	CPU device specified error	Writing cannot be done because the specified device is for system use.	Do not write the data in the specified device, and do not turn on or off.	QCPU
4034 _H	CPU device specified error	Cannot be executed since the completion device for the dedicated instruction cannot be turned ON.	Since the completion device for the target station CPU module cannot be turned ON by the SREAD instruction/SWRITE instruction, execute again after setting the operating status of the target station CPU module to the RUN status.	QCPU LCPU
4035 _H	CPU device specified error	The request cannot be executed because a specified device range is write-protected from outside the CPU module.	<ul style="list-style-type: none"> Do not write data to the specified device. Check the status of the write-protect function for device data (from outside the CPU module) in the request destination CPU module. Write data again to the device range where is not write-protected. Disable the write-protect function for device data (from outside the CPU module) in the request destination CPU module and execute the request again. 	QnUDV QnUDPV

Error code (Hexadecimal)	Error item	Error details	Corrective action	Corresponding CPU
4036 _H	CPU device specified error	The request cannot be executed because the write-protect function for device data (from outside the CPU module) is enabled.	<ul style="list-style-type: none"> Correct the specification of the device and execute the request again. Do not use the indirect specification or index modification. Change the device specification from R to ZR and execute the request again. Disable the write-protect function for device data (from outside the CPU module) in the request destination CPU module and execute the request again. 	QnUDV QnUDPV
4037 _H	CPU device specified error	Writing to the index register and index-modified devices cannot be executed with a single command because the write-protect function for device data (from outside the CPU module) is enabled.	<ul style="list-style-type: none"> Separate the command to write the device data to the index register and each index-modified device separately. Disable the write-protect function for device data (from outside the CPU module) in the request destination CPU module and execute the request again. 	QnUDV QnUDPV
4040 _H	Intelligent function module specification error	The request contents cannot be executed in the specified intelligent function module.	Check whether the specified module is the intelligent function module having the buffer memory.	QCPU LCPU
4041 _H	Intelligent function module specification error	The access range exceeds the buffer memory range of the specified intelligent function module.	Check the header address and access number of points and access using a range that exists in the intelligent function module.	QCPU LCPU
4042 _H	Intelligent function module specification error	The specified intelligent function module cannot be accessed.	<ul style="list-style-type: none"> Check that the specified intelligent function module is operating normally. Check the specified module for a hardware fault. 	QCPU LCPU
4043 _H	Intelligent function module specification error	The intelligent function module does not exist in the specified position.	Check the I/O No. of the specified intelligent function module.	QCPU LCPU
4044 _H	Intelligent function module specification error	A control bus error occurred during access to the intelligent function module.	Check that the specified intelligent function module, other modules, and base units have no hardware failure.	QCPU
		A system bus error occurred during access to the special function module.	Check that the specified special function module, other modules, and LA1S extension base unit have no hardware failure.	LCPU
4048 _H	Intelligent function module specification error	An error occurred when the buffer memory of the MELSECNET, MELSECNET/B local station data link module was accessed.	Do not access the buffer memory of the MELSECNET, MELSECNET/B local station data link module since the access is prohibited.	QCPU
		An error occurred when the buffer memory of the MELSECNET(II)/B local station module was accessed.	Do not access the buffer memory of the MELSECNET(II)/B local station module.	LCPU
4050 _H	Protect error	The request contents cannot be executed because the write protect switch on the memory card or the protect switch on the SD memory card is on.	Turn off the write protect switch or the protect switch.	QCPU LCPU
4051 _H	Protect error	The specified device memory cannot be accessed.	<p>Check the following and make it countermeasures.</p> <ul style="list-style-type: none"> Is the memory one that can be used? Is the specified drive memory correctly installed? 	QCPU LCPU
4052 _H	Protect error	The specified file attribute is read only so the data cannot be written.	Do not write data in the specified file. Or change the file attribute.	QCPU LCPU
4053 _H	Protect error	An error occurred when writing data to the specified drive memory.	Check the specified drive memory. Or reexecute write after changing the corresponding drive memory.	QCPU LCPU
4054 _H	Protect error	An error occurred when deleting the data in the specified drive memory.	Check the specified drive memory. Or re-erase after replacing the corresponding drive memory.	QCPU LCPU

A

Error code (Hexadecimal)	Error item	Error details	Corrective action	Corresponding CPU
4060 _H	Online registration error	The online debug function (such as online change, sampling trace, and monitoring condition setting) and the data logging function are being executed with another programming tool.	<ul style="list-style-type: none"> Finish the operation of another programming tool and then execute the function. If the operation of another programming tool is on hold, resume with that programming tool to complete the operation, and then execute the function again. 	QCPU LCPU
4061 _H	Online registration error	Communication of the online debug function was unsuccessful.	<ul style="list-style-type: none"> Register an online debug function (such as online change, sampling trace, and monitoring condition setting) and then establish a communication. Execute again after checking the communication route such as the communication cable. 	QCPU LCPU
4063 _H	Online registration error	The registered number of locked files exceeded the maximum value.	Finish the file access from another programming tool, and then execute again.	QCPU LCPU
4064 _H	Online registration error	Set data of the online debug function (such as the online change/sampling trace/settings of monitor condition), data logging function, or realtime monitor function are incorrect.	<ul style="list-style-type: none"> Check the set data of the online debug function (such as the online change/sampling trace/settings of monitor condition), data logging function, and realtime monitor function. Execute again after checking the communication route such as the communication cable. 	QCPU LCPU
4065 _H	Online registration error	The device allocation information differs from the parameter.	Check the device assignment parameters of the CPU module or the device assignment of the request data.	QCPU
4066 _H	Online registration error	The specified file password is incorrect.	Check and specify the correct file password.	QCPU LCPU
4067 _H	Online registration error	Monitor communication was unsuccessful.	<ul style="list-style-type: none"> Check the system area capacity of the user setting specified when "format PLC memory" is executed. Execute again after checking the communication route such as the communication cable. 	QCPU LCPU
4068 _H	Online registration error	Operation is disabled because it is being performed with another programming tool.	Finish the operation of another programming tool and then execute again.	QCPU LCPU
406A _H	Online registration error	The drive (memory) number that cannot be handled (other than 0 to 4) was specified.	Check the specified drive and specify the correct drive.	QCPU LCPU
406B _H	Online registration error	Online operation was interrupted due to a CPU module error.	Check the status of the CPU module with the PLC diagnostics function, identify the error, and take a corrective action referring to the troubleshooting section.	QnUDV QnUDPV
4070 _H	Circuit inquiry error	The program not yet corrected and the one corrected by online program change are different.	Read the program from the CPU module to match it with that of the programming tool, and then execute online change again.	QCPU LCPU
4080 _H	Other error	Request data error	Check the request data that has been specified.	QCPU LCPU
4081 _H	Other error	The sort subject cannot be detected.	Check the data to be searched.	QCPU LCPU
4082 _H	Other error	The specified command is executing and therefore cannot be executed.	Complete the processing for a request from another programming tool and then execute the command again.	QCPU LCPU
4083 _H	Other error	An attempt was made to perform operation for the program not registered to the parameters.	Register the program to the parameters.	QCPU LCPU
4084 _H	Other error	The specified pointer (P or I) does not exist.	Check if the specified pointer (P or I) exists in the data.	QCPU LCPU
4085 _H	Other error	The pointer (P or I) cannot be specified because the program is not specified in parameter.	Register the program to be executed in parameter first, and specify the pointer (P or I).	QCPU
4086 _H	Other error	The specified pointer (P or I) has already been added.	Check and correct the pointer number to be added.	QCPU LCPU

Error code (Hexadecimal)	Error item	Error details	Corrective action	Corresponding CPU
4087 _H	Other error	The number of pointers (P or I) exceeds its limit.	Check and correct the specified pointer (P or I).	QCPU LCPU
4088 _H	Other error	<ul style="list-style-type: none"> The specified step number is not at the head of the instruction. The program differs from that stored in the CPU module. 	<ul style="list-style-type: none"> Check and correct the specified step No. Read the program from the CPU module to match it with that of the programming tool, and then execute online change again. 	QCPU LCPU
4089 _H	Other error	An attempt was made to insert/delete the END instruction by online program change.	<ul style="list-style-type: none"> Check the specified program file contents. Write the program after setting the CPU module to the STOP status. 	QCPU LCPU
408A _H	Other error	The file capacity exceeded after the online change was executed.	<ul style="list-style-type: none"> Check the capacity of the specified program file. Write the program after setting the CPU module to the STOP status. 	QCPU LCPU
408B _H	Other error	The remote request cannot be executed.	<ul style="list-style-type: none"> Re-execute after the CPU module is in a status where the mode request can be executed. For remote operation, set the parameter to "Enable remote reset". 	QCPU LCPU
408C _H	Other error	An attempt was made to remote-start the program, which uses the CHK instruction, as a low speed program.	The program including the CHK instruction cannot be executed at low speed. Execute again after checking the program.	Qn(H) QnPH QnPRH
408D _H	Other error	The instruction code that cannot be handled exists.	<ul style="list-style-type: none"> Check whether the model of the used CPU module is correct or not. The program where online change was attempted includes the instruction that cannot be handled by the CPU module specified for the project. Check the program and delete the instruction. 	QCPU LCPU
408E _H	Other error	<ul style="list-style-type: none"> The write step is illegal. The program differs from that stored in the CPU module. 	<ul style="list-style-type: none"> Write the program after setting the CPU module to the STOP status. The starting position of online program change is not specified with the correct program step No. Check whether the programming tool supports the model and version of the CPU module that is specified for the project. Read the program from the CPU module to match it with that of the programming tool, and then execute online change again. 	QCPU LCPU
40A0 _H	SFC device specification error	A block No. outside the range was specified.	Check the setting contents and make a correction.	QCPU LCPU
40A1 _H	SFC device specification error	A number of blocks that exceeds the range was specified.	Check the number of settings and make a correction.	QCPU LCPU
40A2 _H	SFC device specification error	A step No. that is outside the range was specified.	Check the setting contents and make a correction.	QCPU LCPU
40A3 _H	SFC device specification error	Step range limit exceeded	Check the number of settings and make a correction.	QCPU LCPU
40A4 _H	SFC device specification error	The specified sequence step No. is outside the range.	Check the setting contents and make a correction.	Qn(H) QnPH QnPRH
40A5 _H	SFC device specification error	The specified device is outside the range.	Check the number of settings and make a correction.	Qn(H) QnPH QnPRH
40A6 _H	SFC device specification error	The block specification pattern and step specification pattern were wrong.	Check the setting contents and make a correction.	Qn(H) QnPH QnPRH
40B0 _H	SFC file related error	The drive (memory) specified in SFC file operation is wrong.	Check the setting contents and make a correction.	QCPU LCPU
40B1 _H	SFC file related error	The SFC program specified in SFC file operation does not exist.	Check the specified file name and make a correction.	QCPU LCPU
40B2 _H	SFC file related error	The program specified in SFC file operation is not an SFC program.	Check the specified file name and make a correction.	QCPU LCPU

Error code (Hexadecimal)	Error item	Error details	Corrective action	Corresponding CPU
40B3 _H	SFC file related error	Using online program change of SFC, an attempt was made to execute rewrite operation of the "SFC dedicated instruction", such as the "STEP start instruction or transition start instruction", that shows an SFC chart. (SFC dedicated instruction cannot be written during RUN.)	Switch the CPU module to the STOP status, and write the program.	Qn(H) QnPH QnPRH
40B4 _H	SFC file related error	Active blocks cannot be changed or deleted.	After inactivating the target block, change or delete the block by executing the online change.	QCPU LCPU
40B5 _H	SFC file related error	The number of SFC steps after the program modification exceeds the maximum number.	Reduce the number of SFC steps to be added by executing the online change.	QCPU LCPU
40B6 _H	SFC file related error	The specified block does not exist.	<ul style="list-style-type: none"> Execute the verify with PLC function for the unedited SFC program and the SFC program in the CPU module to check for the consistency. Then edit the SFC program and execute the online change. Edit the SFC program read from the CPU module by executing the read from PLC function, and execute the online change. 	QCPU LCPU
40B7 _H	SFC file related error	The online change cannot be executed for the standby type SFC program.	Execute the online change (SFC inactive block) for the scan type SFC program.	QCPU LCPU
40B8 _H	SFC file related error	The device number of the SFC data device is outside the range.	Review the block data setting.	QCPU LCPU
40B9 _H	SFC file related error	The modified SFC program is incorrect.	Review the communication route (such as the cable connection status).	QCPU LCPU
40BA _H	SFC file related error	The online change for each block cannot be executed for a SFC block whose number of sequence steps exceeds 32K.	<ul style="list-style-type: none"> When executing the online change for each block, set the number of sequence steps of the target SFC block to 32K or less. Switch the CPU module to the STOP status, and write the SFC program by executing the write to PLC function. 	QCPU LCPU
40BB _H	SFC file related error	The online change cannot be executed because the data has just written or a program execution error exists.	<ul style="list-style-type: none"> Execute the online change (SFC inactive block) after switching the CPU module from STOP to RUN. (To change the program during STOP, write the program by executing the write to PLC function.) If a program execution error (error code: 2504) exists, set the parameters so that the number of SFC programs to be set as the scan execution type program is one or none. 	QCPU LCPU
4100 _H	Other error	CPU module hardware fault	Change the CPU module.	QCPU LCPU
4101 _H	Other error	Serial communication connection was executed for a different CPU module series.	Check the CPU module series.	QCPU LCPU
4102 _H	Other error	An attempt was made to erase the Flash ROM during use of the file register.	Execute again after setting the CPU module to the STOP status.	QCPU LCPU
4103 _H	Other error	The instruction written during RUN is wrong or illegal.	Execute online program change again, or write the program after setting the CPU module to the STOP status.	QCPU LCPU
4105 _H	Other error	CPU module internal memory hardware fault	Change the CPU module.	Qn(H) QnPH QnPRH
4106 _H	Other error	The command cannot be executed since the CPU module is performing system initialization processing.	Execute the operation again after the CPU module has started.	Qn(H) QnPH QnPRH
4107 _H	Other error	An attempt was made to perform the operation of the function unavailable for the target CPU module model name.	Do not execute the function unsupported by the target CPU module.	Qn(H) QnPH QnPRH
4108 _H	Other error	The CPU module detected that data was overwritten while device data was being read.	Overwrite the device data and read the data again.	QCPU LCPU

Error code (Hexadecimal)	Error item	Error details	Corrective action	Corresponding CPU
4109 _H	Other error	The specified operation cannot be executed since the monitoring, set the condition for other application in same computer, is in execution.	Execute the request again after deregistering the monitoring condition on the same screen.	QCPU LCPU
410A _H	Other error	The specified command cannot be executed because of online program change.	Execute the request again after the online program change.	QCPU LCPU
410B _H	Other error	The registration of monitoring condition was canceled because of online program change.	Execute the registration of monitoring condition again after the online program change.	QCPU LCPU
410C _H	Other error	Writing to the specified data is not supported.	<ul style="list-style-type: none"> • Check that the version of the programming tool used is correct. • Check the settings and make a correction. 	QCPU
410D _H	Other error	When the program cache memory was read, it was detected that the program memory data had been overwritten.	<ul style="list-style-type: none"> • Write the file containing the overwritten data to the program cache memory again. • Turn off and then on or reset the system, and transfer the program memory data to the program cache memory. 	QCPU LCPU
4110 _H	CPU module error	Since the CPU module is in a stop error status, it cannot execute the request.	Execute the request again after resetting the CPU module.	Qn(H) QnPH QnPRH
4111 _H	CPU module error	The requested operation cannot be performed since the other CPU modules have not yet started in the multiple CPU system.	Execute the request again after the other CPU modules have started.	Qn(H) QnPH QnPRH
4121 _H	File-related error	The specified drive (memory) or file does not exist.	Execute again after checking the specified drive (memory) or file.	QCPU LCPU
4122 _H	File-related error	The specified drive (memory) or file does not exist.	Execute again after checking the specified drive (memory) or file.	QCPU LCPU
4123 _H	File-related error	The specified drive (memory) is abnormal.	Execute programmable controller memory format to make the drive (memory) normal. In the case of the Flash ROM, check the data to be written to the Flash ROM, and write them to the Flash ROM.	QCPU LCPU
4124 _H	File-related error	The specified drive (memory) is abnormal.	Execute programmable controller memory format to make the drive (memory) normal. In the case of the Flash ROM, check the data to be written to the Flash ROM, and write them to the Flash ROM.	QCPU LCPU
4125 _H	File-related error	The specified drive (memory) or file is performing processing.	Execute again after a while.	QCPU LCPU
4126 _H	File-related error	The specified drive (memory) or file is performing processing.	Execute again after a while.	QCPU LCPU
4127 _H	File-related error	File password mismatch	Execute again after checking the file password.	QCPU LCPU
4128 _H	File-related error	File password mismatch with copy destination	Execute again after checking the file password.	QCPU LCPU
4129 _H	File-related error	Cannot be executed since the specified drive (memory) is ROM.	Execute again after changing the target drive (memory).	QCPU LCPU
412A _H	File-related error	Cannot be executed since the specified drive (memory) is ROM.	Execute again after changing the target drive (memory).	QCPU LCPU
412B _H	File-related error	The specified drive (memory) is write-inhibited.	Execute again after changing the write inhibit condition or drive (memory).	QCPU LCPU
412C _H	File-related error	The specified drive (memory) is write-inhibited.	Execute again after changing the write inhibit condition or drive (memory).	QCPU LCPU
412D _H	File-related error	The specified drive (memory) does not have enough free space.	Execute again after increasing the free space of the drive (memory).	QCPU LCPU
412E _H	File-related error	The specified drive (memory) does not have enough free space.	Execute again after increasing the free space of the drive (memory).	QCPU LCPU
412F _H	File-related error	The drive (memory) capacity differs between the drive (memory) copy destination and copy source.	Execute again after checking the drive (memory) copy destination and copy source.	QCPU LCPU

Error code (Hexadecimal)	Error item	Error details	Corrective action	Corresponding CPU
4130 _H	File-related error	The drive (memory) type differs between the drive (memory) copy destination and copy source.	Execute again after checking the drive (memory) copy destination and copy source.	QCPU LCPU
4131 _H	File-related error	The file name of the file copy destination is the same as that of the copy source.	Execute again after checking the file names.	QCPU LCPU
4132 _H	File-related error	The specified number of files does not exist.	Execute again after checking the specified data.	QCPU LCPU
4133 _H	File-related error	The specified drive (memory) has no free space.	Execute again after increasing the free space of the drive (memory).	QCPU LCPU
4134 _H	File-related error	The attribute specification data of the file is wrong.	Execute again after checking the specified data.	QCPU LCPU
4135 _H	File-related error	The date/time data of the peripheral device (personal computer) is beyond the range.	Execute again after checking the clock setting of the peripheral device (personal computer).	QCPU LCPU
4136 _H	File-related error	The specified file already exists.	Execute again after checking the specified file name.	QCPU LCPU
4137 _H	File-related error	The specified file is read-only.	Execute again after changing the condition of the specified file.	QCPU LCPU
4138 _H	File-related error	Simultaneously accessible files exceeded the maximum.	Execute again after decreasing file operations.	QCPU LCPU
4139 _H	File-related error	The size of the specified file has exceeded that of the existing file.	Execute again after checking the size of the specified file.	QCPU LCPU
413A _H	File-related error	The specified file has exceeded the already existing file size.	Execute again after checking the size of the specified file.	QCPU LCPU
413B _H	File-related error	The same file was simultaneously accessed from different programming tools.	Execute again after a while.	QCPU LCPU
413C _H	File-related error	The specified file is write-inhibited.	Execute again after changing the file condition.	QCPU LCPU
413D _H	File-related error	The specified file capacity cannot be secured.	Execute again after increasing the capacity of the specified drive (memory).	QCPU LCPU
413E _H	File-related error	Operation is disabled for the specified drive (memory).	Execute again after changing the target drive (memory).	QCPU LCPU
413F _H	File-related error	The file is inhibited from write to the standard RAM.	Execute again after changing the specified drive (memory).	QCPU LCPU
414A _H	Intelligent function module specification error	Operation was executed for the intelligent function module of the non-control group in the multiple CPU system.	Execute the operation again from the control CPU of the target module.	QCPU
414C _H	Intelligent function module specification error	The I/O address of the specified CPU module is wrong.	Execute again after checking the I/O address of the specified CPU module.	QCPU LCPU
4150 _H	File-related error	An attempt was made to format the drive protected by the system.	Do not format the target drive (memory) as it cannot be formatted.	QCPU LCPU
4151 _H	File-related error	An attempt was made to delete the file protected by the system.	Do not delete the target file as it cannot be deleted.	QCPU LCPU
4160 _H	Online registration error	The registered number of forced inputs/outputs exceeded the maximum value.	Deregister the unused forced inputs/outputs.	QCPU LCPU
4165 _H	Online registration error	The multiple-block online change system file does not exist.	Execute again after securing the area that enables multiple-block online change at the time of programmable controller memory format.	QCPU
4166 _H	Online registration error	Online change (files) is disabled because it is being executed from the same source.	Due to unsuccessful online change (files) previously occurred for some reason (example: communication failure), the processing is kept incomplete. Forcibly perform another online change (files).	Qn(H) QnPH QnPRH
4167 _H	Online registration error	Online change (files) is disabled because it is being performed from another source.	Due to unsuccessful online change (files) from another source previously occurred for some reason (example: communication failure), the processing is kept incomplete. If online change (files) is not being performed by any other programming tool, forcibly perform another online change (files).	Qn(H) QnPH QnPRH

Error code (Hexadecimal)	Error item	Error details	Corrective action	Corresponding CPU
4168 _H	Online registration error	The number of registered executional conditioned device test settings exceeds 32.	Disable the executional conditioned device test settings registered in the CPU module, or decrease the number of test settings registered for the same step number.	QCPU LCPU
4169 _H	Online registration error	No executional conditioned device test settings are registered.	Check the number of executional conditioned device test settings registered in the CPU module, and disable the settings.	QCPU LCPU
416A _H	Online registration error	The specified executing condition does not exist. (Executional conditioned device test)	Check whether the specified executing conditions (program, step No. operation timing, device name) specified when the settings were disabled are registered.	QCPU LCPU
416B _H	Online registration error	The specified program is SFC program. (Executional conditioned device test)	Change the program specified when the executional conditioned device test settings are registered or disabled.	QCPU LCPU
4170 _H	Ethernet I/F Error	The password is wrong.	Check the specified remote password, then execute the lock/unlock processing of the remote password again.	QCPU LCPU
4171 _H	Ethernet I/F Error	The port for communication use is at remote password locking status.	Execute communication after unlocking the remote password processing.	QCPU LCPU
4174 _H	Ethernet I/F Error	Requested for a wrong module to unlock remote password.	<ul style="list-style-type: none"> Stop transmitting from several modules simultaneously when setting a remote password and using User Datagram Protocol (UDP) in MELSOFT connection. The MELSOFT connection can be used with Transmission Control protocol (TCP) when setting a remote password. 	QCPU LCPU
4176 _H	Ethernet I/F Error	Communication error occurred in direct connection.	<ul style="list-style-type: none"> Do not specify the direct connection when using other connection setting. Do not turn off the CPU power during communication, reset the power, and plug out the cable in direct connection. 	QCPU LCPU
4178 _H	Ethernet I/F Error	<ul style="list-style-type: none"> File operation is disabled because the File Transfer Protocol (FTP) function is in operation. Online operation requiring a file access is performed with a programming tool while the File Transfer Protocol (FTP) function is in operation. 	Retry after the operation for FTP function is completed.	QCPU LCPU
4180 _H	Ethernet I/F Error	System error. (The setting data in OS is abnormal.)	<ul style="list-style-type: none"> Check that the power supply module and the CPU module are mounted/connected properly. Check that the system is operating within the general specifications of the CPU module. Check whether the power capacity is sufficient. Reset the CPU module. Execute again. If the same error code is displayed, the cause is a hardware failure of the CPU module. Please consult your local Mitsubishi representative. 	QnU ^{*2} LCPU ^{*2}

A

Error code (Hexadecimal)	Error item	Error details	Corrective action	Corresponding CPU
4181 _H	Ethernet I/F Error	Transmission to the receiving modules is unsuccessful.	<ul style="list-style-type: none"> • Check the external device operation. • Check the status of devices (such as cables, hubs, and routers) on the line to the external devices. • When another Ethernet function is executed simultaneously, reconsider the Ethernet function. • When the line is congested with packets, set a longer time for the execution interval or communication timeout time. • The receiving module may have no free space in receive area (TCP window size is small). Check whether the receiving module processes receive data, or whether the CPU module does not send unnecessary data. • Check whether the settings of the subnet mask pattern and the default router IP address of the CPU module and the receiving modules are correct, or whether the class of the IP address is correct. • Check whether the IP address specified as target is correct. 	QnU* ² LCPU* ²
4182 _H	Ethernet I/F Error	Communication with receiving modules caused a timeout error.	<ul style="list-style-type: none"> • Check the external device operation. • Check the status of devices (such as cables, hubs, and routers) on the line to the external devices. • Revise the scan time of the communication target. • When the model of the communication target is the one supported by the service processing setting, revise the setting. • When another Ethernet function is executed simultaneously, reconsider the Ethernet function. • When the line is congested with packets, set a longer time for the execution interval or communication timeout time. • Check whether the target device supports the function executed. 	QnU* ² LCPU* ²
4183 _H	Ethernet I/F Error	Communication with receiving modules was interrupted.	<ul style="list-style-type: none"> • Check the external device operation. • Check the status of devices (such as cables, hubs, and routers) on the line to the external devices. • This error may occur when Forced connection invalidation is executed to the connection under communication. In this case, clear the error because the error is not problematic. 	QnU* ² LCPU* ²
4184 _H	Ethernet I/F Error	<ul style="list-style-type: none"> • Communication processing buffer has run out of space due to consecutive reception of request messages using the MC protocol. • Communication processing buffer has run out of space because received data read is not performed or cannot keep up with the volume. • Communication processing is disabled due to insufficient space in the communication processing buffer. 	<ul style="list-style-type: none"> • For MC protocol, send a request after receiving a response to the previous request. • For socket communication, enable received data read. • For socket communication, decrease the number of data sent from the target device. 	QnU* ² LCPU* ²
4185 _H	Ethernet I/F Error	<ul style="list-style-type: none"> • Connection to the target device is disconnected before sending a response using the MC protocol. • Connection to the target device is disconnected during communication. 	<ul style="list-style-type: none"> • For MC protocol, keep the connection until a response is sent. • Keep the connection until a sequence of communication is completed. • Other error such as 4184_H may be the cause. If any other error has occurred, take corrective action of that error. 	QnU* ² LCPU* ²

Error code (Hexadecimal)	Error item	Error details	Corrective action	Corresponding CPU
4186 _H	Ethernet I/F Error	System error (The argument data in OS is abnormal.)	<ul style="list-style-type: none"> • Check that the power supply module and the CPU module are mounted/connected properly. • Check that the system is operating within the general specifications of the CPU module. • Check whether the power capacity is sufficient. • Reset the CPU module. • Execute again. If the same error code is displayed, the cause is a hardware failure of the CPU module. Please consult your local Mitsubishi representative. 	QnU* ² LCPU* ²
4187 _H	Ethernet I/F Error	System error (The wait processing in OS is abnormal.)	<ul style="list-style-type: none"> • Check that the power supply module and the CPU module are mounted/connected properly. • Check that the system is operating within the general specifications of the CPU module. • Check whether the power capacity is sufficient. • Reset the CPU module. • Execute again. If the same error code is displayed, the cause is a hardware failure of the CPU module. Please consult your local Mitsubishi representative. 	QnU* ² LCPU* ²
4188 _H	Ethernet I/F Error	System error (The data length in OS is abnormal.)	<ul style="list-style-type: none"> • Check that the power supply module and the CPU module are mounted/connected properly. • Check that the system is operating within the general specifications of the CPU module. • Check whether the power capacity is sufficient. • Reset the CPU module. • Execute again. If the same error code is displayed, the cause is a hardware failure of the CPU module. Please consult your local Mitsubishi representative. 	QnU* ² LCPU* ²
4189 _H	Ethernet I/F Error	System error (The protocol information in OS is abnormal.)	<ul style="list-style-type: none"> • Check that the power supply module and the CPU module are mounted/connected properly. • Check that the system is operating within the general specifications of the CPU module. • Check whether the power capacity is sufficient. • Reset the CPU module. • Execute again. If the same error code is displayed, the cause is a hardware failure of the CPU module. Please consult your local Mitsubishi representative. 	QnU* ² LCPU* ²
418A _H	Ethernet I/F Error	System error (The address data of communicating module in OS is abnormal.)	<ul style="list-style-type: none"> • Check that the power supply module and the CPU module are mounted/connected properly. • Check that the system is operating within the general specifications of the CPU module. • Check whether the power capacity is sufficient. • Reset the CPU module. • Execute again. If the same error code is displayed, the cause is a hardware failure of the CPU module. Please consult your local Mitsubishi representative. 	QnU* ² LCPU* ²
418B _H	Ethernet I/F Error	System error (The protocol information in OS is abnormal.)	<ul style="list-style-type: none"> • Check that the power supply module and the CPU module are mounted/connected properly. • Check that the system is operating within the general specifications of the CPU module. • Check whether the power capacity is sufficient. • Reset the CPU module. • Execute again. If the same error code is displayed, the cause is a hardware failure of the CPU module. Please consult your local Mitsubishi representative. 	QnU* ² LCPU* ²

A

Appendix 1 Error Codes
Appendix 1.1 Error codes returned to request source during communication with CPU module

Error code (Hexadecimal)	Error item	Error details	Corrective action	Corresponding CPU
418C _H	Ethernet I/F Error	System error (The protocol specification processing in OS is abnormal.)	<ul style="list-style-type: none"> • Check that the power supply module and the CPU module are mounted/connected properly. • Check that the system is operating within the general specifications of the CPU module. • Check whether the power capacity is sufficient. • Reset the CPU module. • Execute again. If the same error code is displayed, the cause is a hardware failure of the CPU module. Please consult your local Mitsubishi representative. 	QnU* ² LCPU* ²
418D _H	Ethernet I/F Error	System error (The typed data in OS is abnormal.)	<ul style="list-style-type: none"> • Check that the power supply module and the CPU module are mounted/connected properly. • Check that the system is operating within the general specifications of the CPU module. • Check whether the power capacity is sufficient. • Reset the CPU module. • Execute again. If the same error code is displayed, the cause is a hardware failure of the CPU module. Please consult your local Mitsubishi representative. 	QnU* ² LCPU* ²
418E _H	Ethernet I/F Error	System error (The expedited data processing in OS is abnormal.)	<ul style="list-style-type: none"> • Check that the power supply module and the CPU module are mounted/connected properly. • Check that the system is operating within the general specifications of the CPU module. • Check whether the power capacity is sufficient. • Reset the CPU module. • Execute again. If the same error code is displayed, the cause is a hardware failure of the CPU module. Please consult your local Mitsubishi representative. 	QnU* ² LCPU* ²
418F _H , 4190 _H	Ethernet I/F Error	System error (The protocol information in OS is abnormal.)	<ul style="list-style-type: none"> • Check that the power supply module and the CPU module are mounted/connected properly. • Check that the system is operating within the general specifications of the CPU module. • Check whether the power capacity is sufficient. • Reset the CPU module. • Execute again. If the same error code is displayed, the cause is a hardware failure of the CPU module. Please consult your local Mitsubishi representative. 	QnU* ² LCPU* ²
4191 _H	Ethernet I/F Error	System error (The address data of communicating module in OS is abnormal.)	<ul style="list-style-type: none"> • Check that the power supply module and the CPU module are mounted/connected properly. • Check that the system is operating within the general specifications of the CPU module. • Check whether the power capacity is sufficient. • Reset the CPU module. • Execute again. If the same error code is displayed, the cause is a hardware failure of the CPU module. Please consult your local Mitsubishi representative. 	QnU* ² LCPU* ²
4192 _H	Ethernet I/F Error	System error (The host module address processing in OS is abnormal.)	<ul style="list-style-type: none"> • Check that the power supply module and the CPU module are mounted/connected properly. • Check that the system is operating within the general specifications of the CPU module. • Check whether the power capacity is sufficient. • Reset the CPU module. • Execute again. If the same error code is displayed, the cause is a hardware failure of the CPU module. Please consult your local Mitsubishi representative. 	QnU* ² LCPU* ²

Error code (Hexadecimal)	Error item	Error details	Corrective action	Corresponding CPU
4193 _H to 4196 _H	Ethernet I/F Error	System error (The transmission processing in OS is abnormal.)	<ul style="list-style-type: none"> • Check that the power supply module and the CPU module are mounted/connected properly. • Check that the system is operating within the general specifications of the CPU module. • Check whether the power capacity is sufficient. • Reset the CPU module. • Execute again. If the same error code is displayed, the cause is a hardware failure of the CPU module. Please consult your local Mitsubishi representative. 	QnU* ² LCPU* ²
4197 _H , 4198 _H	Ethernet I/F Error	System error (The connection processing in OS is abnormal.)	<ul style="list-style-type: none"> • Check that the power supply module and the CPU module are mounted/connected properly. • Check that the system is operating within the general specifications of the CPU module. • Check whether the power capacity is sufficient. • Reset the CPU module. • Execute again. If the same error code is displayed, the cause is a hardware failure of the CPU module. Please consult your local Mitsubishi representative. 	QnU* ² LCPU* ²
4199 _H	Ethernet I/F Error	System error (The connection termination processing is abnormal.)	<ul style="list-style-type: none"> • Check that the power supply module and the CPU module are mounted/connected properly. • Check that the system is operating within the general specifications of the CPU module. • Check whether the power capacity is sufficient. • Reset the CPU module. • Execute again. If the same error code is displayed, the cause is a hardware failure of the CPU module. Please consult your local Mitsubishi representative. 	QnU* ² LCPU* ²
419A _H	Ethernet I/F Error	System error (The connection processing in OS is abnormal.)	<ul style="list-style-type: none"> • Check that the power supply module and the CPU module are mounted/connected properly. • Check that the system is operating within the general specifications of the CPU module. • Check whether the power capacity is sufficient. • Reset the CPU module. • Execute again. If the same error code is displayed, the cause is a hardware failure of the CPU module. Please consult your local Mitsubishi representative. 	QnU* ² LCPU* ²
419B _H	Ethernet I/F Error	System error (The connection termination processing is abnormal.)	<ul style="list-style-type: none"> • Check that the power supply module and the CPU module are mounted/connected properly. • Check that the system is operating within the general specifications of the CPU module. • Check whether the power capacity is sufficient. • Reset the CPU module. • Execute again. If the same error code is displayed, the cause is a hardware failure of the CPU module. Please consult your local Mitsubishi representative. 	QnU* ² LCPU* ²
419C _H , 419D _H	Ethernet I/F Error	System error (The processing order in OS is abnormal.)	<ul style="list-style-type: none"> • Check that the power supply module and the CPU module are mounted/connected properly. • Check that the system is operating within the general specifications of the CPU module. • Check whether the power capacity is sufficient. • Reset the CPU module. • Execute again. If the same error code is displayed, the cause is a hardware failure of the CPU module. Please consult your local Mitsubishi representative. 	QnU* ² LCPU* ²
419E _H	Ethernet I/F Error	Connection to the module was unsuccessful or interrupted.	<ul style="list-style-type: none"> • Check the external device operation. • Check the status of devices (such as cables, hubs, and routers) on the line to the external devices. 	QnU* ² LCPU* ²

A

Error code (Hexadecimal)	Error item	Error details	Corrective action	Corresponding CPU
419F _H	Ethernet I/F Error	System error (The I/O control processing is abnormal.)	<ul style="list-style-type: none"> • Check that the power supply module and the CPU module are mounted/connected properly. • Check that the system is operating within the general specifications of the CPU module. • Check whether the power capacity is sufficient. • Reset the CPU module. • Execute again. If the same error code is displayed, the cause is a hardware failure of the CPU module. Please consult your local Mitsubishi representative. 	QnU* ² LCPU* ²
41A0 _H	Ethernet I/F Error	Data cannot be sent because the receive area of the external device does not have enough free space.	<ul style="list-style-type: none"> • Send the data again a little while later. • Check the external device operation. • Check whether the external device processes receive data. • Check whether the CPU module does not send unnecessary data. • Check the size and frequency of sent data and reduce the amount of send data. • To send data again, close the connection and discard data. Then, re-open the connection and send data. 	QnU* ² LCPU* ²
41A1 _H	Ethernet I/F Error	The port number setting for the CPU module is incorrect.	Correct the port number.	QnU* ² LCPU* ²
41A2 _H	Ethernet I/F Error	The port number setting for the target device is invalid.	Correct the port number.	QnU* ² LCPU* ²
41A3 _H	Ethernet I/F Error	<ul style="list-style-type: none"> • The own station port number same as that of the MC protocol has been specified in TCP/IP. • In TCP/IP, connection with the same own station port number and same communication destination port number has been used for the same communication destination. 	<ul style="list-style-type: none"> • Specify a port number different from that used in the MC protocol. • Change the port number of the CPU module or external device. 	QnU* ² LCPU* ²
41A4 _H	Ethernet I/F Error	<ul style="list-style-type: none"> • For UDP/IP, the same Host station port No. is specified as MC protocol. • For UDP/IP, the specified host station No. is duplicated. 	<ul style="list-style-type: none"> • Specify a port number that is not duplicated with that of MC protocol. • Correct the port number of the CPU module to avoid duplication. 	QnU* ² LCPU* ²
41A5 _H	Ethernet I/F Error	The IP address setting of the target device for OPEN processing is invalid.	Correct the IP address. Specify A, B, or C for the class.	QnU* ² LCPU* ²
41A6 _H	Ethernet I/F Error	Connection was not established in OPEN processing for TCP connection.	<ul style="list-style-type: none"> • Check the external device operation. • Check OPEN processing of the target device. • Correct the port number of the CPU module and the IP address, port number, and open processing method of the target device. • Check whether the cables are securely connected. 	QnU* ² LCPU* ²
41A8 _H	Ethernet I/F Error	Data length is out of permissible range. (For the Built-in Ethernet port QCPU, the length should be 2046 bytes if the serial number (first five digits) is "12051" or earlier and 10238 bytes if the serial number is "12052" or later.)	<ul style="list-style-type: none"> • Correct the data length. • If the data is longer than the range, split the data and send them. • When the data length is 2047 to 10238 bytes, use the Built-in Ethernet port QCPU whose serial number (first five digits) is "12052" or later. 	QnU* ² LCPU* ²

Error code (Hexadecimal)	Error item	Error details	Corrective action	Corresponding CPU
41AB _H	Ethernet I/F Error	Transmission failed due to timeout of retransmission.	<ul style="list-style-type: none"> Review the IP address and Ethernet address of the target device. Check whether the target device has the ARP function. If not, communicate with the one that has the ARP function. Check the external device operation. The line may be congested with packets. Resend data after a while. Check the status of devices (such as cables, hubs, and routers) on the line to the external devices. Check that the target device completes initial processing and open processing. Check that a binary code is set for the communication data code of the target device. Review the latency time setting if the simple PLC communication function is used. 	QnU* ² LCP U* ²
41AC _H	Ethernet I/F Error	<ul style="list-style-type: none"> The target device cannot be found. The TCP connection is disconnected by the target device. The Fullpassive device rejects the communication and the TCP connection is disconnected. 	<ul style="list-style-type: none"> Check the external device operation. Check whether the cables are securely connected. Check whether the target IP address setting of the Fullpassive device and the IP address of the Active device are matched. 	QnU* ² LCP U* ²
41AD _H	Ethernet I/F Error	Data cannot be send due to no connection or disconnection of the cable.	<ul style="list-style-type: none"> Check whether the cables are securely connected. Check the line status by PING test from the target device. Reset the CPU module. 	QnU* ² LCP U* ²
41AE _H	Ethernet I/F Error	Connection of the control port to the FTP server failed.	<ul style="list-style-type: none"> Correct "IP address" in the Built-in Ethernet port tab. Correct "FTP server name" in the "FTP setting" window. Check connection with the FTP server. Disconnect the user session on the FTP server. 	QnU* ² LCP U* ²
41AF _H	Ethernet I/F Error	Disconnection of the control port to the FTP server failed.	<ul style="list-style-type: none"> Correct the settings in the "FTP setting" window. Check connection with the FTP server. 	QnU* ² LCP U* ²
41B0 _H	Ethernet I/F Error	Login to the FTP server failed.	<ul style="list-style-type: none"> Correct "Login user name" and "Login password" in the "FTP setting" window. Check the FTP server software settings (login user name and login password). Check communication logs of the FTP server software. 	QnU* ² LCP U* ²
41B1 _H	Ethernet I/F Error	Execution of the FTP command to the FTP server failed.	<ul style="list-style-type: none"> Correct "Directory path" and "Data transfer mode" in the "FTP setting" window. Check that the user has a right to access (read/write) the FTP server or the specified file. Check that the directory path set in the "FTP setting" window exists. Check that the file set in the "FTP setting" window exists. Correct the FTP server software settings. Check communication logs of the FTP server software. Correct the FTP command. 	QnU* ² LCP U* ²
41B2 _H	Ethernet I/F Error	Connection of the data transfer port to the FTP server failed.	<ul style="list-style-type: none"> Check connection with the FTP server. Correct "Data transfer mode" in the "FTP setting" window. When a firewall is active or the proxy server is on the connection path, consult the network administrator about the settings. 	QnU* ² LCP U* ²

Error code (Hexadecimal)	Error item	Error details	Corrective action	Corresponding CPU
41B3 _H	Ethernet I/F Error	Disconnection of the data transfer port to the FTP server failed.	<ul style="list-style-type: none"> • Check connection with the FTP server. • Correct "Data transfer mode" in the "FTP setting" window. • When a firewall is active or the proxy server is on the connection path, consult the network administrator about the settings. 	QnU* ² LCPU* ²
41B4 _H	Ethernet I/F Error	The connection number setting is invalid.	<ul style="list-style-type: none"> • Specify the connection No. within 1 to 16. • When using socket communication, check whether "Socket communication" is selected for "Open system" parameter. • When using predefined protocol function, check whether "Predefined protocol" is selected for "Open system" parameter. 	QnU* ² LCPU* ²
41B6 _H	Ethernet I/F Error	The specified connection has already completed OPEN processing.	Perform CLOSE processing and then OPEN processing.	QnU* ² LCPU* ²
41B7 _H	Ethernet I/F Error	The specified connection has not completed OPEN processing.	Re-execute after OPEN processing is completed.	QnU* ² LCPU* ²
41B8 _H	Ethernet I/F Error	When "MELSEC-A (Ethernet Module)/MELSEC-FX3 (Ethernet Block/Adapter)" was specified in "Destination" of the simple PLC communication function, the function was executed while CPU exchange timing setting (SW7) of the Ethernet module is off and the CPU module on the destination is in the RUN status.	<ul style="list-style-type: none"> • Turn on CPU exchange timing setting (SW7) of the destination. • Set the CPU module on the destination to STOP and execute the function again. 	QnUDV QnUDPV LCPU* ²
41B9 _H	Ethernet I/F Error	<ul style="list-style-type: none"> • Contents of control data is not correct. • Open instruction was executed through open settings parameter even though parameters are not set for "Open settings". 	<ul style="list-style-type: none"> • Correct the contents of the control data. • Configure the open settings parameters or execute the OPEN instruction through control data. 	QnU* ² LCPU* ²
41BA _H	Ethernet I/F Error	An error occurred during file transfer to the FTP server.	<ul style="list-style-type: none"> • Delete unnecessary files on the FTP server to increase free space. • Check the connection status of the FTP server. • Correct the FTP command. 	QnU* ² LCPU* ²
41BB _H	Ethernet I/F Error	Multiple file transfer function (FTP client) instructions are executed simultaneously.	After the processing of the file transfer function (FTP client) instruction being executed ends, execute another file transfer function (FTP client) instruction.	QnU* ²
41BC _H	Ethernet I/F Error	When "MELSEC-A (Ethernet Module)/MELSEC-FX3 (Ethernet Block/Adapter)" was specified in "Destination" of the simple PLC communication function, communications between the CPU module and the Ethernet module failed. (After the Ethernet module normally receives a request from another node, communications between the CPU module and the Ethernet module failed due to a noise or other causes.)	<ul style="list-style-type: none"> • Ensure that the operating environment for the system meets the general specifications of the CPU module. • Reset the CPU module. • Execute again. If the same error code is displayed, the cause is a hardware failure of the CPU module. Please consult your local Mitsubishi representative. 	QnUDV QnUDPV LCPU* ²
41BD _H	Ethernet I/F Error	When "MELSEC-A (Ethernet Module)/MELSEC-FX3 (Ethernet Block/Adapter)" is specified in "Destination" of the simple PLC communication function, an incorrect device is specified.	<ul style="list-style-type: none"> • Check the specified device name. • Check the specified device No. • Check the device assignment parameters of the CPU module (destination). 	QnUDV QnUDPV LCPU* ²

Error code (Hexadecimal)	Error item	Error details	Corrective action	Corresponding CPU
41BE _H	Ethernet I/F Error	When "MELSEC-A (Ethernet Module)/MELSEC-FX3 (Ethernet Block/Adapter)" was specified in "Destination" of the simple PLC communication function, a system error occurred. (The possible cause is malfunction due to noise or other causes or hardware failure).	<ul style="list-style-type: none"> • Check that the power supply module and the CPU module are mounted/connected properly. • Ensure that the operating environment for the system meets the general specifications of the CPU module. • Check whether the power capacity is sufficient. • Reset the CPU module. • Execute again. If the same error code is displayed, the cause is a hardware failure of the CPU module. Please consult your local Mitsubishi representative. 	QnUDV QnUDPV LCPU*2
41BF _H	Ethernet I/F Error	When "MELSEC-A (Ethernet Module)/MELSEC-FX3 (Ethernet Block/Adapter)" was specified in "Destination" of the simple PLC communication function, a system error occurred. (The possible cause is malfunction due to noise or other causes or hardware failure).	<ul style="list-style-type: none"> • Check that the power supply module and the CPU module are mounted/connected properly. • Ensure that the operating environment for the system meets the general specifications of the CPU module. • Check whether the power capacity is sufficient. • Reset the CPU module. • Execute again. If the same error code is displayed, the cause is a hardware failure of the CPU module. Please consult your local Mitsubishi representative. 	QnUDV QnUDPV LCPU*2
41C1 _H	File-related error	The format information data of the specified drive (memory) is abnormal.	The file information data may be corrupted. After backing up the data in the CPU module, format the CPU memory.	QCPU LCPU
41C2 _H	File-related error	File open specification data for file access is wrong.	Execute again after checking the specification data.	QCPU LCPU
41C3 _H	File-related error	Simultaneously accessible files exceeded the maximum.	Execute again after decreasing file operations.	QCPU LCPU
41C4 _H	File-related error	Simultaneously accessible files exceeded the maximum.	Execute again after decreasing file operations.	QCPU LCPU
41C5 _H	File-related error	<ul style="list-style-type: none"> • The specified file does not exist. • The file does not exist in the valid drive. 	<ul style="list-style-type: none"> • Execute again after checking the file. • Execute again after checking that the file exists in the valid drive. 	QCPU LCPU
41C7 _H	File-related error	The specified file or drive (memory) does not exist.	Execute again after checking the file or drive (memory).	QCPU LCPU
41C8 _H	File-related error	The size of the specified file has exceeded that of the existing file.	Execute again after checking the size of the specified file. If the error recurs after re-execution, the file information data may be corrupted. After backing up the data in the CPU module, format the CPU memory.	QCPU LCPU
41C9 _H	File-related error	Access to the file sector was unsuccessful. The format information data of the target drive (memory) is abnormal.	After backing up the data in the CPU module, format the CPU memory.	QCPU LCPU
41CA _H	File-related error	Access to the file sector was unsuccessful. The format information data of the target drive (memory) is abnormal.	After backing up the data in the CPU module, format the CPU memory.	QCPU LCPU
41CB _H	File-related error	The file name is specified in a wrong method.	Execute again after checking the file name.	QCPU LCPU
41CC _H	File-related error	The specified file or subdirectory does not exist.	Execute again after checking the name of the file and subdirectory.	QCPU LCPU
41CD _H	File-related error	An access inhibited with the attribute was made to the file. Or the file attribute was attempted to be changed to the inhibited one.	Check the attribute and open mode of the file.	QCPU LCPU
41CE _H	File-related error	The file cannot be written because the specified file is read-only.	The specified file is write-protected. Execute again after checking the attribute.	QCPU LCPU
41CF _H	File-related error	The specified drive (memory) has been used exceeding the capacity.	Execute again after checking the drive (memory) capacity.	QCPU LCPU

Error code (Hexadecimal)	Error item	Error details	Corrective action	Corresponding CPU
41D0 _H	File-related error	The specified drive (memory) has no free space. Or the number of files in the directory of the specified drive (memory) has exceeded the maximum.	<ul style="list-style-type: none"> Execute again after increasing the free space of the drive (memory). Execute again after deleting file(s) in the drive (memory). 	QCPU LCPU
41D1 _H	File-related error	<ul style="list-style-type: none"> The file name is specified in a wrong method. The SD memory card is being disabled by SM606 (SD memory card forced disable instruction). 	<ul style="list-style-type: none"> Execute again after checking the file name. If the error recurs after re-execution, the file information data may be corrupted. After backing up the data in the CPU module, format the CPU memory. Cancel the SD memory card forced disable instruction. 	QCPU LCPU
41D3 _H	File-related error	Access into the SD memory card has failed.	<ul style="list-style-type: none"> Check if the SD memory card is inserted, and execute the processing again. Replace the SD memory card, and execute the processing again. Execute the data backup, and format the PLC memory. 	QnUDV QnUDPV
41D4 _H	File-related error	The size of the specified file has exceeded that of the existing file.	Execute again after checking the size of the specified file. If the error recurs after re-execution, the file information data may be corrupted. After backing up the data in the CPU module, format the CPU memory.	QCPU LCPU
41D5 _H	File-related error	The file of the same name exists.	Forcibly execute the request, or execute after changing the file name.	QCPU LCPU
41D6 _H	File-related error	The format information data of the specified drive (memory) is abnormal.	The file information data may be corrupted. After backing up the data in the CPU module, format the CPU memory.	QCPU LCPU
41D7 _H	File-related error	The format information data of the specified drive (memory) is abnormal.	The file information data may be corrupted. After backing up the data in the CPU module, format the CPU memory.	QCPU LCPU
41D8 _H	File-related error	The specified file is being accessed.	Execute again after a while.	QCPU LCPU
41DF _H	File-related error	The specified drive (memory) is write-protected.	Execute again after canceling the write protect of the specified drive (memory).	QCPU LCPU
41E0 _H	File-related error	The specified drive (memory) is abnormal or does not exist.	<ul style="list-style-type: none"> Execute the operation again after checking that the memory card or SD memory card has been inserted. After backing up the data, execute programmable controller memory format. 	QCPU LCPU
41E1 _H	File-related error	Access to the flash ROM was unsuccessful.	<ul style="list-style-type: none"> After backing up the data, execute write to PLC (Flash ROM). Execute the operation again after checking that the specified drive is a flash ROM and that the size of the memory card or SD memory card is correct. 	QCPU LCPU
41E4 _H	File-related error	Access to the memory card or SD memory card was unsuccessful.	<ul style="list-style-type: none"> Execute the operation again after checking that the memory card or SD memory card has been inserted. Execute the operation again after replacing the memory card or SD memory card. After backing up the data, execute programmable controller memory format. 	QCPU LCPU
41E7 _H	File-related error	The format information data of the specified drive (memory) is abnormal.	The file information data may be corrupted. After backing up the data in the CPU module, format the CPU memory.	QCPU LCPU
41E8 _H	File-related error	The format information data of the specified drive (memory) is abnormal.	The file information data may be corrupted. After backing up the data in the CPU module, format the CPU memory.	QCPU LCPU
41E9 _H	File-related error	The specified file is being accessed.	Execute again after a while.	QCPU LCPU
41EB _H	File-related error	The file name is specified in a wrong method.	Execute again after checking the file name.	QCPU LCPU

Error code (Hexadecimal)	Error item	Error details	Corrective action	Corresponding CPU
41EC _H	File-related error	The file system of the specified drive (memory) is logically corrupted.	The file information data may have been corrupted. After backing up the data in the CPU module, format the CPU memory.	QCPU LCPU
41ED _H	File-related error	The specified drive (memory) does not have continuous free space. (The free space for file is sufficient but the continuous free space is insufficient.)	Execute again after deleting unnecessary files or executing programmable controller memory arrangement.	QCPU LCPU
41EF _H	File-related error	Creation of power failure backup for the specified drive (memory) was unsuccessful.	Execute the operation again after checking that the memory card or SD memory card has been inserted.	QCPU LCPU
41F0 _H	File-related error	The power failure backup data of the specified drive (memory) are corrupted.	Execute the operation again after checking that the memory card or SD memory card has been inserted.	QCPU LCPU
41F1 _H	File-related error	The power failure backup for the specified drive (memory) has a repair command.	Execute the operation again after checking that the memory card or SD memory card has been inserted.	QCPU LCPU
41F2 _H	File-related error	Operation cannot be performed since the specified drive (memory) is Flash ROM.	Execute again after checking the specified drive (memory). When performing operation for the Flash ROM, use write to PLC (Flash ROM).	QCPU LCPU
41F3 _H	File-related error	The file size is larger than the following: The value to be acquired when 2byte is subtracted from 4Gbyte	Specify a smaller value for the file size when creating a file or changing the file size. Alternatively, divide the file so that each file size is smaller.	QnUDV QnUDPV LCPU
41F4 _H	File-related error	Since the operation prohibited by the system is performed, the requested processing cannot be performed.	Since the operation is prohibited by the system, the file operation is not performed.	QCPU LCPU
41F6 _H	File-related error	The following files cannot be written because the write-protect function for device data (from outside the CPU module) is enabled. • Initial label value file • File register file	• Do not write the specified file. • Disable the write-protect function for device data (from outside the CPU module) and execute the request again.	QnUDV QnUDPV
41F8 _H	File-related error	The data is being accessed from another programming tool.	PLC write to the program memory or transfer to the backup memory is in execution. Access the data again after checking that the above-mentioned function has been completed.	QCPU LCPU
41F9 _H	File-related error	The data is being accessed from another programming tool.	Another device data saving was executed during execution. Access the data again after the current one is completed.	QCPU LCPU
41FA _H	File-related error	Program was written beyond the area where the program can be executed.	Execute again after reducing either the already written program or newly written program.	QCPU LCPU
41FB _H	File-related error	The specified file is already being manipulated from the programming tool.	Execute again after the currently performed operation is completed.	QCPU LCPU
41FC _H	File-related error	An attempt was made to erase the drive (memory) being used.	The specified drive (memory) is being used and cannot be erased.	QCPU LCPU
41FD _H	File-related error	There are no data written to the Flash ROM.	Write a file by executing write to PLC (Flash ROM).	QCPU LCPU
41FE _H	File-related error	• The memory card or SD memory card has not been inserted. • QnUDVCPUCPU and QnUDPVCPU: The SD memory card is being disabled. • LCPUCPU: The SD memory card access control switch is not slid down. • The SD memory card is being disabled by SM606 (SD memory card forced disable instruction).	• Insert or re-insert the memory card or SD memory card. • QnUDVCPUCPU and QnUDPVCPU: Remove the SD memory card and insert it again. • LCPUCPU: Slide the SD memory card access control switch down. • Cancel the SD memory card forced disable instruction.	QCPU LCPU
41FF _H	File-related error	The type of the memory card or SD memory card differs.	Check the type of the memory card or SD memory card.	QCPU LCPU

Error code (Hexadecimal)	Error item	Error details	Corrective action	Corresponding CPU
4200 _H	Online module change-related error	The requested processing cannot be performed because online module change is disabled by parameter setting.	Do not send the request where this error occurred. Alternatively, enable online module change by parameter setting and send the request again.	QCPU
4201 _H	Online module change-related error	The requested processing cannot be performed because online module change is enabled by parameter setting.	Do not send the request where this error occurred. Alternatively, disable online module change by parameter setting and send the request again.	QCPU
4202 _H	Online module change-related error	The requested processing cannot be performed since an online module change is being performed.	Make a request again after completion of the online module change.	QCPU
4203 _H	Online module change-related error	The module mounted on the main base unit cannot be replaced online since the extension base unit is mounted.	Take following procedures to replace the module mounted on the main base unit. <ul style="list-style-type: none"> • Switch the system where the target module to be replaced is mounted to the standby system. • Turn OFF power supply of the standby system. • Replace the target module. 	QnPH
4204 _H	Online module change-related error	The specified module of the extension base unit cannot be replaced online since it is connected to the standby system.	Change the connection destination to the control system and perform the online module change again.	QnPH
4210 _H	Online module change-related error	The specified start I/O number is outside the range.	When making a request, specify the start I/O number of the module that will be changed online.	QnPH
4211 _H	Online module change-related error	An online module change request is abnormal.	Check the command used to make a request.	QnPH
4212 _H	Online module change-related error	An online module change is already being made for other equipment.	Make a request again after completion of the online module change, or continue after changing the connection path.	QnPH
4213 _H	Online module change-related error	The specified start I/O number differs from the one registered for online module change.	When making a request, specify the start I/O number of the module being changed online.	QnPH
4214 _H	Online module change-related error	The specified module differs from the one changed online.	Make a request again after mounting the module that is the same as the one changed online.	QnPH
4215 _H	Online module change-related error	The specified module does not exist.	When making a request, specify the start I/O number of the module that will be changed online, or make a request again after mounting the module.	QnPH
4216 _H	Online module change-related error	The specified module is faulty.	Make a request again after changing the module.	QnPH
4217 _H	Online module change-related error	There is no response from the specified module.	Continue the online module changing operation.	QnPH
4218 _H	Online module change-related error	The specified module is incompatible with online module change.	Do not make a request where an error occurred, or make a request again to the module compatible with online module change.	QnPH
4219 _H	Online module change-related error	The specified module is mounted on the extension base unit of the type that requires no power supply module.	Do not make a request to any modules mounted on the extension base unit of the type that requires no power supply module and the main base unit.	QnPH
421A _H	Online module change-related error	The specified module is not in a control group.	Make a request to the CPU module that controls the specified module.	QnPH
421B _H	Online module change-related error	An error occurred in the setting of the initial setting parameter of the intelligent function module.	Resume processing after checking the contents of the intelligent function module buffer memory.	QnPH
421C _H	Online module change-related error	Cannot be executed as the parameter file has been rewritten.	Operation cannot be performed. Operation is interrupted.	QnPH

Error code (Hexadecimal)	Error item	Error details	Corrective action	Corresponding CPU
421D _H	Online module change-related error	System switching occurs during the online module change.	Connect the programming tool to the new control system to check the status of the online module change. According to the status of online module change, take procedures for it.	QnPH
421E _H	Online module change-related error	The information of the online module change cannot be sent to the standby system. When the system switching occurs during the online module change, the online module change may not be continued.	The tracking cable may be faulty or the standby system may have an error. <ul style="list-style-type: none"> • Check the mounting status of the tracking cable or replace the tracking cable. • Check the status of the standby system. When a stop error was detected by the standby system, perform troubleshooting. 	QnPH
421F _H	Online module change-related error	The module mounted on the extension base unit cannot be replaced online when the connection destination is set to the standby system in the separate mode.	<ul style="list-style-type: none"> • Set the connection destination of a programming tool to the present control system. • Perform the online module change to the module mounted on the extension base unit again. 	QnPH
4220 _H	E-mail related error	The number of characters exceeded the valid range when registering the e-mail addresses by using the SP.MLOPEADR instruction.	Reduce the number of e-mail addresses to be registered.	LCPU
4221 _H	E-mail related error	An unsupported character is used in the e-mail address to be registered by using the SP.MLOPEADR instruction.	Do not use any unsupported character in the e-mail address.	LCPU
4222 _H	E-mail related error	The e-mail address to be deleted by using the SP.MLOPEADR instruction has not been registered.	Check that the deletion target e-mail address is correct.	LCPU
4223 _H	E-mail related error	The number of characters in the e-mail address read by using the SP.MLGETADR instruction exceeded the specified data length.	Check and correct the data length setting.	LCPU
4224 _H	E-mail related error	The e-mail address backup by using the SP.MLOPEADR instruction has failed.	<ul style="list-style-type: none"> • Execute the instruction again. • If the same error code is displayed even after executing the instruction again, the cause is a hardware failure of the CPU module. Please consult your local Mitsubishi representative. 	LCPU
4225 _H	E-mail related error	The e-mail address backup file was not restored when the CPU module was powered on.	<ul style="list-style-type: none"> • Power off and on the CPU module. Or reset the CPU module. • If the same error code is displayed again after powering off and on or reset the CPU module, the cause is a hardware failure of the CPU module. Please consult your local Mitsubishi representative. 	LCPU
4226 _H	E-mail related error	System error (Reference error)	<ul style="list-style-type: none"> • Check that the power supply module and the CPU module are mounted/connected properly. • Check that the system is operating within the general specifications of the CPU module. • Check whether the power capacity is sufficient. • Reset the CPU module. • Execute again. If the same error code is displayed, the cause is a hardware failure of the CPU module. Please consult your local Mitsubishi representative. 	LCPU
4227 _H	E-mail related error	System error (Failed to read the port number)	<ul style="list-style-type: none"> • Check that the power supply module and the CPU module are mounted/connected properly. • Check that the system is operating within the general specifications of the CPU module. • Check whether the power capacity is sufficient. • Reset the CPU module. • Execute again. If the same error code is displayed, the cause is a hardware failure of the CPU module. Please consult your local Mitsubishi representative. 	LCPU

Error code (Hexadecimal)	Error item	Error details	Corrective action	Corresponding CPU
4228 _H	E-mail related error	System error (Failed to create the command)	<ul style="list-style-type: none"> • Check that the power supply module and the CPU module are mounted/connected properly. • Check that the system is operating within the general specifications of the CPU module. • Check whether the power capacity is sufficient. • Reset the CPU module. • Execute again. If the same error code is displayed, the cause is a hardware failure of the CPU module. Please consult your local Mitsubishi representative. 	LCPU
4229 _H	E-mail related error	System error (State transition error)	<ul style="list-style-type: none"> • Check that the power supply module and the CPU module are mounted/connected properly. • Check that the system is operating within the general specifications of the CPU module. • Check whether the power capacity is sufficient. • Reset the CPU module. • Execute again. If the same error code is displayed, the cause is a hardware failure of the CPU module. Please consult your local Mitsubishi representative. 	LCPU
4230 _H	File transfer function (FTP client) error	A file cannot be transferred because a file with the same name exists on the FTP server.	Check that there is no file with the same name on the FTP server.	LCPU
4232 _H	File transfer function (FTP client) error	<ul style="list-style-type: none"> • The number of files to be transferred exceeded the valid range when the wild card was used in the file transfer function (FTP client) instruction. • There is no corresponding file when the wild card is used in the file transfer function (FTP client) instruction. 	Check and correct the wild card specification.	LCPU
4233 _H	File transfer function (FTP client) error	DNS client response timeout error	<ul style="list-style-type: none"> • Check the DNS server address setting. • Check that the communications with the DNS server is enabled by using the PING command. • Check that the own station IP address and the DNS server IP address are in the same class. (If not, check the router setting.) 	LCPU
4234 _H	File transfer function (FTP client) error	FTP response timeout error	<ul style="list-style-type: none"> • Check that the FTP server name is registered in the DNS. • Change the FTP server name to the IP address, and check the operation. • Check that the communications with the FTP server is enabled by using the PING command. 	LCPU
4240 _H	Redundant system-related error	<p>Any of the following unsupported operations was executed for the standby system.</p> <ul style="list-style-type: none"> • Operation mode change • System switching • Memory copy from control system to standby system 	Execute the operation again after changing the transfer setup to the control system.	QnPRH
4241 _H	Redundant system-related error	Communication cannot be made since the standby system has been powered off or reset or is in a user watchdog timer error or CPU module hardware fault status.	Request communication after powering on the standby system or setting its Reset switch to the neutral position.	QnPRH
4242 _H	Redundant system-related error	Communication with the standby system cannot be made since the tracking cable is faulty or disconnected.	Cannot be executed since the tracking cable is disconnected or faulty. Execute again after checking the tracking cable for disconnection or changing it for a normal one.	QnPRH
4243 _H	Redundant system-related error	The command cannot be executed since the standby system is in stop error.	Execute again after removing the stop error of the standby system.	QnPRH
4244 _H	Redundant system-related error	The command cannot be executed since the operation status differs from that of the standby system.	Execute again after placing the standby system in the same operation status (RUN/STOP) as the control system.	QnPRH
4245 _H	Redundant system-related error	Other system CPU module status error	Check that the other system CPU module has normally started up and that the tracking cable is connected.	QnPRH

Error code (Hexadecimal)	Error item	Error details	Corrective action	Corresponding CPU
4246 _H	Redundant system-related error	The command cannot be executed since operation mode (separate/backup) change or system (control/standby system) switching is being executed.	Execute again after the operation mode change or system switching being executed is completed.	QnPRH
4247 _H	Redundant system-related error	Memory copy from control system to standby system is already being executed.	Execute again after memory copy from control system to standby system is completed. Check the following and take corrective action. <ul style="list-style-type: none"> Is SM1596 of the control system or standby system ON? (ON: Memory copy being executed) Execute again after SM1596 has turned OFF since it is turned OFF by the system on completion of memory copy. Is SM1597 of the control system ON? (ON: Memory copy completed) Execute again after turning OFF SM1597 of the control system. 	QnPRH
4248 _H	Redundant system-related error	Communication was made during system switching. The system specified in the transfer setup (request destination module I/O number) does not exist.	<ul style="list-style-type: none"> Execute again after system switching. After checking whether the specified system exists or not, restart communication. 	QnPRH
4249 _H	Redundant system-related error	The redundant system is not established. (Control system/standby system or System A/System B not yet definite)	<ul style="list-style-type: none"> Normally start the system as the redundant system. (Make communication again after establishing the system.) Execute again after changing the transfer setup (request destination module I/O number) to "No settings have been made" (03FF_H). 	QnPRH
424A _H	Redundant system-related error	A command that cannot be processed was executed when the control system or standby system is specified in the transfer setup (request destination module I/O number).	Execute the operation again after changing the transfer setup (request destination module I/O number) to No settings have been made (03FF _H)/system A/system B.	QnPRH
424B _H	Redundant system-related error	The command cannot be executed since system switching is inhibited by the manual system switching enable flag (SM1592).	Manual system switching is inhibited by the manual system switching enable flag (SM1592). Execute again after turning ON SM1592.	QnPRH
424C _H	Redundant system-related error	The specified command cannot be executed during online program change operation.	Execute again after the online program change operation is finished.	QnPRH
424D _H	Redundant system-related error	The transfer setup or function unavailable for the debug mode was used.	<ul style="list-style-type: none"> Execute again after changing to the backup mode. Execute again after changing the transfer setup (request destination module I/O number) to System A or control system. 	QnPRH
424E _H	Redundant system-related error	The control system/standby system specifying method is not supported.	This function cannot be executed since it is not supported.	QnPRH
424F _H	Redundant system-related error	System switching was executed by the other condition during execution of system switching by the programming tool.	Although system switching was executed from the programming tool, system switching was executed first by the other condition. Check the system for any problem and execute the operation again as necessary.	QnPRH
4250 _H	Redundant system-related error	Sum check error occurred in tracking communication.	Execute communication again after changing the tracking cable. If the same error occurs even after the tracking cable is changed, the cause is a hardware failure of the CPU module. Please consult your local Mitsubishi representative.	QnPRH
4251 _H	Redundant system-related error	The command cannot be executed in the separate mode.	Execute again after changing to the backup mode.	QnPRH
4252 _H	Redundant system-related error	System switching was not executed since an error occurred in the redundant system compatible network module of the standby system.	By monitoring SD1690 (other system network module No. that issued system switching request), identify the faulty redundant-compatible intelligent module of the standby system, then remove the module fault, and execute again.	QnPRH

Error code (Hexadecimal)	Error item	Error details	Corrective action	Corresponding CPU
4253 _H	Redundant system-related error	Since a communication error or system switching occurred during online program change to the control system CPU module, online program change to the standby CPU module cannot be executed.	Since a communication error or system switching occurred during execution of online program change to the control system CPU module, online program change redundant tracking was suspended. Execute online program change again after confirming that communication with the control system CPU module and standby system CPU module can be normally made. If it takes time for the communication between the programming tool and either the control system CPU module or standby system CPU module, change the value in SD1710 (standby system online start waiting time) so that errors may be avoided.	QnPRH
4254 _H	Redundant system-related error	The command cannot be executed since an error was detected in the tracking communication hardware.	The tracking cable may not be connected correctly, or the tracking communication hardware of the CPU module may be faulty. Check the connection status of the tracking cable. If the condition is not restored to normal after the cable connection status is corrected, the possible cause is the hardware fault of the CPU module.	QnPRH
4255 _H	Redundant system-related error	The command cannot be executed since tracking communication is being prepared.	Tracking communication is being prepared when it is connected. Execute the operation again after a while (about 1 second).	QnPRH
4256 _H	Redundant system-related error	The command cannot be executed since a timeout error occurred in tracking communication.	The tracking cable may not be connected correctly, or the tracking communication hardware of the CPU module may be faulty. Check the connection status of the tracking cable. If the condition is not restored to normal after the cable connection status is corrected, the possible cause is the hardware fault of the CPU module.	QnPRH
4257 _H	Redundant system-related error	The command cannot be executed since the host system CPU module is in a watchdog timer error or CPU module hardware fault status.	The command cannot be executed since the host system is in a watchdog timer error or CPU module hardware fault status. Execute again after checking the host system status.	QnPRH
4258 _H	Redundant system-related error	Operation mode being changed (from backup mode to separate mode)	Change the operating status of the CPU module from STOP to RUN with the RUN/STOP switch of the module whose RUN LED is flashing or by remote operation, and end the operation mode change. Then, execute the command again.	QnPRH
4259 _H	Redundant system-related error	Operation mode is being changed with another programming tool in the communication route different from the one currently used.	Execute again in the same communication route as the one where the operation mode change was executed.	QnPRH
425B _H	Redundant system-related error	Although the communication was made via the intelligent function module mounted on the extension base unit, the combination of the connection destination specification (Redundant CPU specification) and the command is unsupported.	Change the combination of the connection destination specification and the command to the supported combination.	QnPRH
425C _H	Redundant system-related error	System switching cannot be made since the module mounted on the extension base unit is being replaced online.	Switch systems after the online module change has been completed.	QnPRH
425D _H	Redundant system-related error	Operation mode cannot be changed since the module mounted on the extension base unit is being replaced online.	Change the operation mode after the online module change has been completed.	QnPRH
4270 _H	Data logging ^{*1}	Data logging is being performed (logging, saving the logging data, completing, on hold, or in error) with a different memory.	Register the data logging to the memory where a data logging is being performed. Alternatively, stop the data logging being performed and register again.	QnUDV QnUDPV LCPU
4271 _H	Data logging ^{*1}	The specified data logging is already being performed (logging, saving the logging data, completing, on hold, or in error).	Stop the data logging. Alternatively, write, delete, or register to the setting number where no data logging is being performed.	QnUDV QnUDPV LCPU

Error code (Hexadecimal)	Error item	Error details	Corrective action	Corresponding CPU
4272 _H	Data logging *1	The trigger logging with "Device" specified as a trigger condition is being performed (logging, saving the logging data, completing, on hold, or in error).	Change the trigger condition. Alternatively, stop the trigger logging being performed (logging, saving the logging data, completing, on hold, or in error) with "Device" specified as the trigger condition, and then register.	QnUDV QnUDPV LCPU
4273 _H	Data logging *1	The data logging function cannot be executed because the sampling trace function is being performed.	Hold the sampling trace to register the data logging.	QnUDV QnUDPV LCPU
4274 _H	Data logging *1	Trigger loggings have registered exceeding the number of trigger loggings collectable in the data logging buffer.	<ul style="list-style-type: none"> • Increase the capacity of the data logging buffer. • Reduce the number of records set for the trigger logging. 	QnUDV QnUDPV LCPU
4275 _H	Data logging *1	Auto logging is being performed.	After the auto logging, replace the SD memory card and execute again.	QnUDV QnUDPV LCPU
4276 _H	Data logging *1	The specified command cannot be executed because the data logging function is being performed (i.e. logging, saving the logging data, completing, on hold, or in error).	Stop the data logging and then execute the command.	QnUDV QnUDPV LCPU
4277 _H	Data logging *1	The number of stored files has exceeded the value set in advance.	The number of files stored in the storage destination memory has exceeded the setting value. Delete files or change the storage destination and then register.	QnUDV QnUDPV LCPU
4278 _H	Data logging *1	The number of stored files has reached to the maximum.	The number of stored files has reached to the maximum of FFFFFFFF. Delete files or change the storage destination and then register.	QnUDV QnUDPV LCPU
427A _H	Data logging *1	Common setting file does not exist.	<ul style="list-style-type: none"> • Write the common settings to the target memory. • Register the data logging to the memory where the common settings are stored. 	QnUDV QnUDPV LCPU
427B _H	Data logging *1	A data logging is being performed (logging in execution, logging data are being saved, completing, on hold, or in error) in the same file storage destination.	Stop the data logging destined for the same storage and then register. Alternatively, change the storage destination of the file and then register.	QnUDV QnUDPV LCPU
427C _H	Data logging *1	<ul style="list-style-type: none"> • Data logging file transfer function settings are mistaken. • A data logging setting file is corrupt. 	<ul style="list-style-type: none"> • Check settings of the data logging file transfer function. • Write the settings using the CPU Module Logging Configuration Tool. 	QnUDV QnUDPV LCPU
427D _H	File-related error	<ul style="list-style-type: none"> • A data logging file to be transferred was deleted during transfer by file switching. • Reading of a data logging file failed. • A data logging file was accessed while the SD memory card has been forcibly set to be disabled. 	<ul style="list-style-type: none"> • Correct "File switching timing" and "Number of saved files" in the "Save" screen. • Check that data logging files are not deleted using the CPU Module Logging Configuration Tool. • Check that an SD memory card is inserted. • When the SD memory card access control switch is on the upper position, slide it down, and check that the SD LED turns on. • If the SD memory card has been forcibly disabled, cancel the setting. 	QnUDV QnUDPV LCPU
427E _H	File-related error	<ul style="list-style-type: none"> • Since a file was switched before file transfer, a new data logging file is saved. • Since a file was switched during a retry, a new data logging file is saved. 	<ul style="list-style-type: none"> • Correct "File switching timing" in the "Save" screen to reduce the frequency of file switching. • Correct the number of sampled data and "Sampling interval" in the "Sampling" screen to reduce the number of sampled data. • Correct the settings in the "CSV output" screen to reduce the file size. • Check connection with the FTP server. 	QnUDV QnUDPV LCPU
427F _H	File-related error	File transfer failed due to the stop operation of file transfer.	Check that data logging is not started from the CPU Module Logging Configuration Tool before file transfer is completed.	QnUDV QnUDPV LCPU
4280 _H	File-related error	A file transfer test was executed from another CPU Module Logging Configuration Tool during execution of a file transfer test.	Execute the file transfer test again after the ongoing test is completed.	QnUDV QnUDPV LCPU

Error code (Hexadecimal)	Error item	Error details	Corrective action	Corresponding CPU
4281 _H	File-related error	The data logging setting for different programmable controller series was registered.	Set the data logging for the programmable controller series used.	QnUDV QnUDPV
4290 _H	Realtime monitor	The total buffer capacity for realtime monitor and data logging exceeds the maximum limit.	<ul style="list-style-type: none"> Correct the buffer capacity so that the total capacity for data logging and realtime monitor does not exceed the maximum limit. To change the buffer capacity for data logging, write the changed data (common setting) to the CPU module and start data logging again, or power off and on or reset the CPU module to restore the data logging function to the initial state. Stop the realtime monitor function, and restart data logging. 	LCPU
4291 _H	Realtime monitor	Online change was executed during execution of realtime monitor where a step number is specified as a timing condition or trigger condition.	After the online change processing has completed, check the step number, and execute the realtime monitor again.	LCPU
4292 _H	Realtime monitor	During the execution of realtime monitor, an attempt was made to start another realtime monitor.	Stop the realtime monitor being executed, and start another realtime monitor.	LCPU
4330 _H	Maintenance	The CPU module change function (backup/restoration) with memory card is being executed from the same source.	Check that the CPU module change function (backup/restoration) with memory card is not being executed, and communicate again.	QCPU LCPU
4331 _H	Maintenance	User authentication is required.	Disable the user authentication function, and communicate again.	QCPU
4332 _H	Maintenance	The specified command cannot be executed because the CPU module change function (backup/restoration) with SD memory card is being executed.	After the CPU module change processing (backup/restoration) is completed, execute the command again.	QCPU LCPU
4333 _H	Maintenance	Not ready for backup.	Complete the preparation for backup and then execute again.	QCPU LCPU
4334 _H	Maintenance	Backup file does not exist.	Insert a memory card or SD memory card with a backup file and then execute again.	QCPU
4335 _H	Maintenance	The specified function cannot be executed because latch data are being backed up.	Complete the latch data backup function and then execute again.	QCPU LCPU
4336 _H	Maintenance	The specified function cannot be executed because a FTP client is being FTP-connected to the CPU module via the built-in Ethernet port.	Disconnect all FTP connections to the CPU module and then execute again.	QCPU LCPU
4337 _H	Maintenance	Module error collection file does not exist.	Power off and then on or reset the CPU module and then execute again.	QCPU LCPU
4338 _H	Maintenance	Readout of module error collection data has been failed when opening the screen to display the data or when updating the data.	<ul style="list-style-type: none"> Retry the operation. Increase the number of module error collections to be stored. 	QCPU LCPU
4339 _H	Maintenance	Readout of module error collection data was failed because the function is disabled by parameter settings.	Enable the module error collection function by parameter settings and then execute again.	QCPU LCPU
433A _H	Maintenance	The specified command cannot be executed because the project data batch save/load function is being executed.	After the batch save/load processing is completed, execute the command again.	LCPU
433B _H	Maintenance	The CPU module change function (backup/restoration) with memory card was executed to the locked CPU module.	Execute the CPU module change function (backup/restoration) with memory card to the unlocked CPU module.	QnUDV QnUDPV
433D _H	Maintenance	The specified command cannot be executed because the file transfer function (FTP client) is being executed.	Wait until the file transfer processing (FTP client) completes, and execute the command again.	LCPU
4400 _H	Security	A file protected by a password has been opened without unlocking the password.	Enter a correct password and perform password authentication.	QnUDV QnUDPV LCPU
4401 _H	Security	<ul style="list-style-type: none"> Read password authorization has failed when required. The password format is incorrect. 	<ul style="list-style-type: none"> Set a correct read password and perform password authentication. Access the file with the correct method. 	QnUDV QnUDPV LCPU

Error code (Hexadecimal)	Error item	Error details	Corrective action	Corresponding CPU
4402 _H	Security	<ul style="list-style-type: none"> Write password authorization has failed when required. The password format is incorrect. 	<ul style="list-style-type: none"> Set a correct write password and perform password authentication. Access the file with the correct method. 	QnUDV QnUDPV LCPU
4403 _H	Security	Both passwords for reading and for writing that are set upon Create, Change, Delete, or Disable do not match the previous ones.	Configure a correct password for both reading and for writing, authorize them, and then access.	QnUDV QnUDPV LCPU
4404 _H	Security	A file error was detected before or after performing Create, Change, or Delete.	<ul style="list-style-type: none"> Format the drive including the target file by formatting the CPU module memory. Write the target file to the CPU module again, and then register or cancel the file password again. 	QnUDV QnUDPV LCPU
4410 _H	Security	The file of the locked CPU module is accessed without the security key authentication.	<ol style="list-style-type: none"> Register the security key which locks the CPU module to the programming tool. When the project is opened, lock the project with the security key which locks the CPU module. When the CPU module is locked, the access control target file cannot be accessed using the following functions or external devices. <ul style="list-style-type: none"> FTP server function MC protocol GOT EZSocket 	QnUDV QnUDPV
4412 _H	Security	The security key cannot be registered to the CPU module due to the failure of the internal memory where the security key is registered. Or the security key of the CPU module cannot be deleted.	The cause is a hardware failure of the CPU module. Replace the CPU module.	QnUDV QnUDPV
4413 _H	Security	Since the CPU module is locked and 32 programming tools are reading and writing programs simultaneously, another programming tool cannot read or write programs.	Wait until the number of programming tools which are reading and writing programs decreases to 31 or less.	QnUDV QnUDPV
4414 _H	Security	Since the CPU module is locked, the requested processing cannot be performed.	Do not request any processing since the requested processing cannot be performed in this state.	QnUDV QnUDPV
4415 _H	Security	Since the CPU module is not locked, the requested processing cannot be performed.	Do not request any processing since the requested processing cannot be performed in this state.	QnUDV QnUDPV
4416 _H	Security	Since the CPU module is in locking or unlocking operation, the requested processing cannot be performed.	Request the processing after the locking or unlocking operation ends.	QnUDV QnUDPV
4426 _H	Security	The prohibited operation was executed when "Execution Program Protection Setting" was enabled with a block password.	Unlock the block password and correct the setting.	QnUDV QnUDPV LCPU
4800 _H	iQ Sensor Solution related error	The specified command cannot be executed because the iQ Sensor Solution function (data backup/restoration) is being executed.	Execute the command again after the iQ Sensor Solution function (data backup/restoration) ends.	QnUDV QnUDPV LCPU
4801 _H	iQ Sensor Solution related error	<ul style="list-style-type: none"> When the iQ Sensor Solution function (data backup/restoration) is executed, the target module does not exist. When the iQ Sensor Solution function (data backup/restoration) is executed, the specified backup folder does not exist. The setting value in the special register (SD) related to the iQ Sensor Solution function (data backup/restoration) is out of range. 	Correct the setting value in the special register (SD), and execute the function again.	QnUDV QnUDPV LCPU
4802 _H	iQ Sensor Solution related error	The number of iQ Sensor Solution function (data backup/restoration) backup folders is the maximum.	<ul style="list-style-type: none"> Delete the existing backup folders, and execute the function again. Set "Automatic specification (folder deletion supported)" in the folder number setting so that the oldest folder is automatically deleted. 	QnUDV QnUDPV LCPU

Error code (Hexadecimal)	Error item	Error details	Corrective action	Corresponding CPU
4803 _H	iQ Sensor Solution related error	The system file does not exist in the specified backup data, or the system file is broken.	Specify other backup data.	QnUDV QnUDPV LCPU
4804 _H	iQ Sensor Solution related error	The backup file does not exist in the specified backup data, or the system file is broken.	Specify other backup data.	QnUDV QnUDPV LCPU
4805 _H	iQ Sensor Solution related error	When the backup function of the iQ Sensor Solution function (data backup/restoration) is executed, no backup target device exists.	Correct the setting value in the special register (SD), and execute the function again.	QnUDV QnUDPV LCPU
4806 _H	iQ Sensor Solution related error	The SD memory card was removed while the function was being executed.	Do not remove the memory card while the function is being executed.	QnUDV QnUDPV LCPU
4807 _H	iQ Sensor Solution related error	Data cannot be communicated with external devices when the iQ Sensor Solution function (data backup/restoration) is executed.	<ul style="list-style-type: none"> • Check the external device operation. • Check the status of devices (such as cables, hubs, and routers) on the line to the external devices. • The line may be congested. Resend data after a while. 	QnUDV QnUDPV LCPU
4808 _H	iQ Sensor Solution related error	<ul style="list-style-type: none"> • When the restoration of the iQ Sensor Solution function (data backup/restoration) is performed, the backup source device supporting iQ Sensor Solution and the restoration target device supporting iQ Sensor Solution do not match. • The CPU module is not compatible with the CC-Link-AnyWireASLINK bridge module. 	<ul style="list-style-type: none"> • Check the manufacturers, models, and versions of the specified backup source device supporting iQ Sensor Solution and the restoration target device supporting iQ Sensor Solution. • Replace the CPU module with a CPU module that is compatible with the CC-Link-AnyWireASLINK bridge module. 	QnUDV QnUDPV LCPU
4809 _H	iQ Sensor Solution related error	The function was executed to the module which does not support the iQ Sensor Solution function (data backup/restoration).	<ul style="list-style-type: none"> • Replace the module to the one which supports the iQ Sensor Solution function (data backup/restoration). • Execute the function to the module which supports the iQ Sensor Solution function (data backup/restoration). 	QnUDV QnUDPV LCPU
480A _H	iQ Sensor Solution related error	The function was executed to the CC-Link module whose operating status has been switched from the standby master station to the master station.	Turn off and on the power supply for the master station and the standby master station, and execute the function again.	QnUDV QnUDPV LCPU
480B _H	iQ Sensor Solution related error	The function was executed to the CC-Link module for which the "Read the model name of slave station" checkbox is not checked in parameter.	Check the "Read the model name of slave station" checkbox for the auto detect setting in parameter, and execute the function again.	QnUDV QnUDPV LCPU
480C _H	iQ Sensor Solution related error	The specified command cannot be executed because the iQ Sensor Solution function (automatic detection of connected device) is being executed.	Execute the command again after the iQ Sensor Solution function (automatic detection of connected device) ends.	QnUDV QnUDPV LCPU
480D _H	iQ Sensor Solution related error	The specified command cannot be executed because the iQ Sensor Solution function (communication setting reflection) is being executed.	Execute the command again after the iQ Sensor Solution function (communication setting reflection) ends.	QnUDV QnUDPV LCPU
480E _H	iQ Sensor Solution related error	<ul style="list-style-type: none"> • The specified command cannot be executed because the iQ Sensor Solution function (monitoring) is being executed. • The specified command cannot be executed because the iQ Sensor Solution function (sensor parameter read/write) is being executed. 	<ul style="list-style-type: none"> • Execute the command again after a while. • Execute the command again after the iQ Sensor Solution function (sensor parameter read/write) ends. 	QnUDV QnUDPV LCPU
4900 _H	Other error	After the values in "Device" of "PLC Parameter" of the CPU module, where the simple PLC communication function had been set, were changed, the parameters were written to the CPU module from the "Write to PLC" window.	Power off and on the CPU module. Or reset the CPU module.	QnUDV QnUDPV LCPU

Error code (Hexadecimal)	Error item	Error details	Corrective action	Corresponding CPU
4901 _H	Other error	The file register used for the simple PLC communication function became out of range.	Correct the device number of the file register. And power off and on the CPU module or reset the module.	QnUDV QnUDPV LCPV
4902 _H	Other error	The communication was stopped because an error occurred at the other setting No., for which the same destination device of the corresponding setting No. had been set.	Remove the error cause.	QnUDV QnUDPV LCPV
4903 _H	Other error	The communication was stopped because a stop error occurred in the CPU module where the simple PLC communication function had been set.	Power off and on the CPU module. Or reset the CPU module.	QnUDV QnUDPV LCPV
4904 _H	Other error	The specified command cannot be executed because a file or folder is being deleted using a display unit.	After the delete processing is completed, execute the command again.	LCPV
4A00 _H	Link-related error	<ul style="list-style-type: none"> Access to the specified station cannot be made since the routing parameters are not set to the start source CPU module and/or relay CPU module. For routing via a multiple CPU system, the control CPU of the network module for data routing has not started. When System A/System B is not yet identified in a redundant system configuration, communication was made with the other station via the network module. The Built-in Ethernet port QCPU or the Built-in Ethernet port LCPV that performs IP packet transfer is not the control CPU of the CC-Link IE module, which is on the path that an IP packet takes. 	<ul style="list-style-type: none"> Set to the related stations the routing parameters for access to the specified station. Retry after a while, or start communication after confirming that the system for data routing has started. In a redundant system configuration, connect the tracking cable, start System A/System B normally, and then restart communication. Set the Built-in Ethernet port QCPU or the Built-in Ethernet port LCPV that performs IP packet transfer as the control CPU of the CC-Link IE module, which is on the path that an IP packet takes. 	QCPU LCPV
		<ul style="list-style-type: none"> The network of the No. set to the routing parameters does not exist. The specified CPU module cannot be communicated through the network that is not supported by the CPU module. 	<ul style="list-style-type: none"> Check and correct the routing parameters set to the related stations. Set communication through the network that is supported by the specified CPU module. 	QnUDV QnUDPV
4A01 _H	Link-related error	<ul style="list-style-type: none"> The network of the No. set to the routing parameters does not exist. The specified CPU module cannot be communicated through the network that is not supported by the CPU module. 	<ul style="list-style-type: none"> Check and correct the routing parameters set to the related stations. Set communication through the network that is supported by the specified CPU module. 	QCPU LCPV
4A02 _H	Link-related error	Access to the specified station cannot be made.	<ul style="list-style-type: none"> Check the network module and the data link module for error or check that the modules are not in offline. Check to see if the network number/PC number setting has no mistake. 	QCPU LCPV
4A03 _H	Link-related error	A request for network test was issued.	Check the request data of the MC protocol, etc.	QCPU LCPV
4A04 _H	Link-related error	A request is executed to the CPU module which does not support all stations specification.	<ul style="list-style-type: none"> Replace the CPU module to the one which supports all stations specification. Execute the request to the CPU module which supports all stations specification. 	QnUDV QnUDPV

Error code (Hexadecimal)	Error item	Error details	Corrective action	Corresponding CPU
4A20 _H	IP communication test related error	<ul style="list-style-type: none"> The upper 2 bytes of the IP addresses do not match between a CPU module and the request destination device on the same path that an IP packet takes. The upper 2 bytes of the IP addresses do not match between a CPU module and a CC-Link IE module on the same path that an IP packet takes. The upper 2 bytes of the IP addresses do not match between CC-Link IE modules on the same path that an IP packet takes. The upper 2 bytes of the IP addresses do not match between the request source device and the CPU module connected to the request destination device by Ethernet. 	<ul style="list-style-type: none"> Check and correct the IP address settings of the built-in Ethernet ports of the CPU module. Check and correct the IP address of the request destination device. Check and correct the IP address of the CC-Link IE module. Check and correct the IP address of the request source device. 	QCPU LCPU
4A21 _H	IP communication test related error	<ul style="list-style-type: none"> The 3rd byte (Network No.) or 4th byte (Station No.) of the IP address of the CPU module is the number that is not available for CC-Link IE. The 3rd byte (Network No.) or 4th byte (Station No.) of the IP address of the request destination device is the number that is not available for CC-Link IE. 	<ul style="list-style-type: none"> Check and correct the IP address settings of the built-in Ethernet ports of the CPU module. Check and correct the IP address of the request destination device. 	QCPU LCPU
4A22 _H	IP communication test related error	The IP address is not set for a CC-Link IE module on the path that an IP packet takes.	<ul style="list-style-type: none"> Set the IP address to the control station or master station of the CC-Link IE module. Check the communication status with the control station or master station if the CC-Link IE module is used as a normal station or local station. Replace the control station or master station with the one supporting the IP packet transfer function. Conduct the IP communication test again after the CC-Link IE module is started up. Check and correct the IP address of the request destination device. 	QCPU LCPU
4A23 _H	IP communication test related error	<ul style="list-style-type: none"> The CPU module on the path that an IP packet takes does not support the IP packet transfer function. Routing Parameters are set so that an IP packet is routed to the CPU module that does not support the IP packet transfer function. 	<ul style="list-style-type: none"> Replace the CPU module with the one supporting the IP packet transfer function. Correct Routing Parameters so that an IP packet is routed to the CPU module that supports the IP packet transfer function. Check and correct the IP address of the request destination device. 	QCPU LCPU
4A24 _H	IP communication test related error	<ul style="list-style-type: none"> A network module on the path that an IP packet takes does not support the IP packet transfer function. Routing Parameters are set so that an IP packet is routed to the network module that does not support the IP packet transfer function. The 3rd byte (Network No.) of the IP address of the device on the path that an IP packet takes overlapped with the network No. of the module that is mounted with the CPU module and does not support the IP packet transfer function. The 3rd byte (Network No.) of the IP address of the request destination device overlapped with the network No. of the module that is mounted with the CPU module and does not support the IP packet transfer function. 	<ul style="list-style-type: none"> Replace the CC-Link IE module with the one supporting the IP packet transfer function. Correct Routing Parameters so that an IP packet is routed to the CC-Link IE module that supports the IP packet transfer function. Check and correct the settings so that the 3rd byte (Network No.) of the IP address of the device on the path that an IP packet takes does not overlap with the network No. of the module that is mounted with the CPU module and does not support the IP packet transfer function. Check and correct the settings so that the 3rd byte (Network No.) of the IP address of the request destination device does not overlap with the network No. of the module that is mounted with the CPU module and does not support the IP packet transfer function. Check and correct the IP address of the request destination device. 	QCPU LCPU

Error code (Hexadecimal)	Error item	Error details	Corrective action	Corresponding CPU
4A25 _H	IP communication test related error	<ul style="list-style-type: none"> "IP packet transfer setting" in Built-in Ethernet Port Setting tab of "PLC parameter" is not set. Routing Parameters are set so that an IP packet is routed to the CPU module where IP packet transfer setting is not set. 	<ul style="list-style-type: none"> Select "Use" for IP packet transfer function in "IP packet transfer setting" in Built-in Ethernet Port Setting tab of "PLC parameter". Correct Routing Parameters so that an IP packet is routed to the CPU module where IP packet transfer setting is set. Check and correct the IP address of the request destination device. 	QCPU LCPU
4A26 _H	IP communication test related error	The IP communication test was started from the CPU module other than the Built-in Ethernet port QCPU.	Correct the setting so that the IP communication test starts from the Built-in Ethernet port QCPU.	QCPU
4A27 _H	IP communication test related error	The Built-in Ethernet port QCPU that performs IP packet transfer is not the control CPU of the CC-Link IE module, which is on the path that an IP packet takes.	Set the Built-in Ethernet port QCPU that performs IP packet transfer as the control CPU of the CC-Link IE module, which is on the path that an IP packet takes.	QCPU
4A28 _H	IP communication test related error	<ul style="list-style-type: none"> In the system where the CPU module is connected to the request destination device over Ethernet, the request path and the response path of IP packets differ. When multiple CC-Link IE modules with the same network number are connected in a multiple CPU system, the module mounted on the lowest slot number is not set as a controlled module that transfers IP packets. When multiple CC-Link IE modules with the same network number are connected in a single or multiple CPU system, the station number of the module mounted on the lowest slot number is not set as a relay station number in routing parameter. 	<ul style="list-style-type: none"> Correct the routing parameter setting so that IP packets use the same path for both request and response transmission. When multiple CC-Link IE modules with the same network number are connected in a multiple CPU system, set the module mounted on the lowest slot number as a controlled module that transfers IP packets. When multiple CC-Link IE modules with the same network number are connected in a single or multiple CPU system, set the station number of the module mounted on the lowest slot number as a relay station number in routing parameter. 	QCPU LCPU
4A29 _H	IP communication test related error	The 3rd byte (Network No.) of the IP address of the request destination device overlapped with the 3rd byte of the IP address of the CPU module connected to the request source device by Ethernet.	<ul style="list-style-type: none"> Check and correct the IP address settings of the built-in Ethernet ports of the CPU module. Check and correct the IP address of the request destination device. 	QCPU LCPU
4A2A _H	IP communication test related error	The IP address of a device on the CC-Link IE network, the Built-in Ethernet port QCPU, or the Built-in Ethernet port LCPU is not specified.	Specify the IP address of a device on the CC-Link IE network, the Built-in Ethernet port QCPU, or the Built-in Ethernet port LCPU.	QCPU LCPU
4B00 _H	Target-related error	<ul style="list-style-type: none"> An error occurred in the access destination or relay station. The specified transfer setup (request destination module I/O number) is illegal. 	<ul style="list-style-type: none"> Take corrective action after checking the error that occurred at the specified access destination or the relay station to the accessed station. Check the transfer setup (request destination module I/O number or programmable controller number) in the request data of the MC protocol, etc. Check the occurring stop error and take the action. 	QCPU LCPU
4B01 _H	Target-related error	The target is not the No. 1 CPU of the multiple CPU system.	Execute the request for the No. 1 CPU of the multiple CPU system.	QCPU
4B02 _H	Target-related error	The request is not addressed to the CPU module.	Perform operation for the module that can execute the specified function.	QCPU LCPU
4B03 _H	Target-related error	<ul style="list-style-type: none"> The specified route is not supported by the specified CPU module version. The communication target CPU module is not mounted. Devices that does not support the communications are connected on the specified route. 	<ul style="list-style-type: none"> Check whether the specified route is supported or not. Check whether the CPU module is mounted/connected or not. Check the occurring stop error and take the action. 	QCPU LCPU
4B04 _H	Target-related error	The specified transfer setup (request destination module I/O number) is not supported.	In the target setup, an illegal value is set as the start I/O number of the target module.	QCPU

Error code (Hexadecimal)	Error item	Error details	Corrective action	Corresponding CPU
4C00 _H	Multiple CPU-related error	The specified device is unavailable for the motion CPU or outside the device range.	Check the request data contents.	QCPU
4C08 _H	Multiple CPU-related error	There are a total of 33 or more DDWR and DDRD requests.	Execute again after reducing the number of DDWR and DDRD requests to be executed simultaneously.	QCPU
4C09 _H	Multiple CPU-related error	The specification of the requested CPU module No. is illegal.	Check the request data contents.	QCPU
4C10 _H	CPU module data backup/restoration function error	<ul style="list-style-type: none"> Maximum storable capacity is exceeded. Maximum number of storable files is exceeded. Storable upper limit of the backup folder number is exceeded. 	<ul style="list-style-type: none"> Increase the free space of the SD memory card and CPU module, and then execute the processing again. Delete files in the SD memory card and CPU module, and then execute the processing again. Delete backup data in the SD memory card, and then execute the processing again. 	QnUDV QnUDPV
4C11 _H	CPU module data backup/restoration function error	<ul style="list-style-type: none"> No SD memory card is inserted. Removal and insertion of the SD memory card is being enabled by SM609 (Memory card remove/insert enable flag). The SD memory card is being disabled by SM606 (SD memory card forced disable instruction). 	<ul style="list-style-type: none"> Insert or re-insert the SD memory card, and then execute the processing again. Disable the removal and insertion of the SD memory card, and then execute the processing again. Enable the SD memory card operation and then execute the processing again. 	QnUDV QnUDPV
4C12 _H	CPU module data backup/restoration function error	Writing/reading of backup data to/from the SD memory card failed.	<ul style="list-style-type: none"> Check if the SD memory card is inserted, and execute the processing again. Replace the SD memory card, and execute the processing again. Restore with any other backup data because the backup data may have been corrupted. 	QnUDV QnUDPV
4C13 _H	CPU module data backup/restoration function error	Reading/writing of data from/to the CPU built-in memory completed with an error.	<ul style="list-style-type: none"> Back up data in the CPU built-in memory, format the CPU memory, and write the data back to the original memory. Then, execute the data backup/restoration function. The possible cause is a failure of the CPU module. Execute data restoration to another CPU module. 	QnUDV QnUDPV
4C14 _H	CPU module data backup/restoration function error	<ul style="list-style-type: none"> The function cannot be executed because the file password 32 is set to the data. The data which is same as the one set the file password 32 is restored to the restoration destination CPU module. 	When using the CPU module data backup/restoration function, delete the file password 32 setting and then execute the function.	QnUDV QnUDPV
4C15 _H	CPU module data backup/restoration function error	The functions that cannot be executed simultaneously such as the file transfer function (FTP), data backup/restoration function (iQ Sensor Solution function), and IP address change function are executed.	Execute again after a while.	QnUDV QnUDPV
4C16 _H	CPU module data backup/restoration function error	<ul style="list-style-type: none"> The automatic backup setting by specification of day and time is turned on while the setting value (automatic backup date and time) are out of range. The automatic backup setting by specification of time and day of the week is turned on while the setting value (automatic backup time and day of the week) are out of range. 	<ul style="list-style-type: none"> Review the setting value (automatic backup date and time) and turn on the automatic backup setting by specification of day and time. Review the setting value (automatic backup time and day of the week) and turn on the automatic backup setting by specification of time and day of the week. 	QnUDV QnUDPV
4C17 _H	CPU module data backup/restoration function error	A restoration is executed while the model names of the CPU module differs between the backup source and the restoration target.	Execute a restoration again for the CPU module whose name is same as the backup source CPU module.	QnUDV QnUDPV
4C18 _H	CPU module data backup/restoration function error	A restoration is executed while the operating status of the CPU module is in RUN or PAUSE state.	Change the operating status of the CPU module to STOP state and then execute the restoration again.	QnUDV QnUDPV

Error code (Hexadecimal)	Error item	Error details	Corrective action	Corresponding CPU
4C19 _H	CPU module data backup/restoration function error	<ul style="list-style-type: none"> A restoration is executed while the system files (BKUPINF.QSL and BKUPDAT.QBK) are not structured properly. File(s) in the system file information (BKUPINF.QSL) does not exist in the folder of backed up data. A restoration is executed with the folder of backed up data in which the system files (BKUPINF.QSL, BKUPDAT.QBK) do not exist. 	Restore with any other backup data because the backup data may have been corrupted.	QnUDV QnUDPV
4C1A _H	CPU module data backup/restoration function error	<ul style="list-style-type: none"> The folder with the setting values of SD919 to SD921 (Restoration target folder) does not exist in the SD memory card. The setting value of SD917 (Restoration target data setting) is out of range. The value outside the specified range is set to SD919 to SD921. 	<ul style="list-style-type: none"> Check and correct the setting value of SD919 to SD921 and then execute the processing again. Check and correct the setting value of SD917 and then execute the processing again. 	QnUDV QnUDPV
4C1B _H	CPU module data backup/restoration function error	A restoration is executed while the CPU module status (such as programs, parameters, and file structure) of restoration destination is different from the status at the time of backup.	Check and correct the CPU module status to the one at the time of backup and then execute the restoration again. Change SD917 to all the target data of backup and restoration, and then execute the restoration again.	QnUDV QnUDPV
4C1C _H	CPU module data backup/restoration function error	<ul style="list-style-type: none"> No SD memory card is inserted. Removal and insertion of the SD memory card is being enabled by SM609 (Memory card remove/insert enable flag). The SD memory card is being disabled by SM606 (SD memory card forced disable instruction). The SD memory card is write-protected. 	<ul style="list-style-type: none"> Insert or re-insert the SD memory card, and then execute the processing again. Disable the removal and insertion of the SD memory card, and then execute the processing again. Enable the SD memory card operation and then execute the processing again. Cancel the write protection and then execute the processing again. 	QnUDV QnUDPV
4C1D _H	CPU module data backup/restoration function error	The CPU module is locked.	When using the CPU module data backup/restoration function, unlock the CPU module and then execute the function.	QnUDV QnUDPV
4C1F _H	CPU module data backup/restoration function error	The specified command cannot be executed because the CPU module data backup/restoration function is being executed.	After the CPU module data backup/restoration function is completed, execute the command again.	QnUDV QnUDPV
4C21 _H	CPU module data backup/restoration function error	The number of backup data stored in an SD memory card exceeds the upper limit value.	<ul style="list-style-type: none"> Delete backup data in the SD memory card, and execute the function again. Check and correct the settings of the upper limit value of the number of backup data, and execute the function again. 	QnUDV QnUDPV
4C22 _H	CPU module data backup/restoration function error	Bit5 of SD910 is turned on while the set value of SD1928 is out of the allowable range.	After check and correct the set value of SD1928, turn on bit5 of SD910.	QnUDV QnUDPV
4C23 _H	CPU module data backup/restoration function error	Upper limit value of the number of the backup data cannot be changed because a backup data folder already exists.	After deleting the backup data folder in the SD memory card and turning off bit5 of SD910 temporarily, turn on bit5 of SD910 again.	QnUDV QnUDPV
4C24 _H	CPU module data backup/restoration function error	The data cannot be backed up because more backup data than the upper limit value of the number of backup data exists in the SD memory card.	<ul style="list-style-type: none"> Delete the backup data exceeding the upper limit value, and execute the function again. Check and correct the settings of the upper limit value, and execute the function again. 	QnUDV QnUDPV
4C25 _H	CPU module data backup/restoration function error	The data cannot be backed up because a program with a block password for which "Execution Program Protection Setting" has been enabled exists.	Clear "Execution Program Protection Setting" of the block password and execute the function again.	QnUDV QnUDPV
4D00 _H	E-mail related error	<p>Execution of the MC protocol command has failed because of the following error.</p> <ul style="list-style-type: none"> Format error Data size error Data count error Unsupported command error 	Check and correct the contents of the MC protocol command mail.	LCPU

Error code (Hexadecimal)	Error item	Error details	Corrective action	Corresponding CPU
4D01 _H	E-mail related error	Execution of MC protocol command is disabled in parameter.	Check and correct the parameter setting.	LCPU
4D20 _H	SLMP frame send instruction error	The execution/error completion type setting of the dedicated instruction is incorrect.	<ul style="list-style-type: none"> • Correct the execution/error completion type setting in control data, and execute the instruction again. • If an error still exists even after taking the above action, the possible cause is a hardware failure of the module. Please consult your local Mitsubishi representative. 	QnUDV QnUDPV LCPU
4D21 _H	SLMP frame send instruction error	The external device IP address setting of the dedicated instruction is incorrect.	Correct the IP address of the external device, and execute the instruction again.	QnUDV QnUDPV LCPU
4D22 _H	SLMP frame send instruction error	The port number setting is incorrect.	Check and correct the port number.	QnUDV QnUDPV LCPU
4D23 _H	SLMP frame send instruction error	The number of resends is specified incorrectly.	Check and correct the number of resends.	QnUDV QnUDPV LCPU
4D24 _H	SLMP frame send instruction error	The arrival monitoring time setting is incorrect.	Set the arrival monitoring time within the allowable range.	QnUDV QnUDPV LCPU
4D25 _H	SLMP frame send instruction error	Sending messages by using the SP.SLMPSND instruction has failed.	<ul style="list-style-type: none"> • Check the operation of the external device or switching hub. • The line may be congested with packets. Resend data after a while. • Check whether the cables are securely connected. • Check that there is no connection failure with the switching hub. • Execute a communication status test. If the test completes with an error, take an action to correct the error. • Check the module for error by conducting the module communication test. • Check whether the IP address specified as target is correct. 	QnUDV QnUDPV LCPU
4D26 _H	SLMP frame send instruction error	The CPU module was not able to receive a response to the request.	<ul style="list-style-type: none"> • Check and correct the response waiting time. • Check the external device operation. • Check whether the external device supports the function executed. 	QnUDV QnUDPV LCPU
4D27 _H	SLMP frame send instruction error	The CPU module received a response with the data length out of the range, which was sent by the SP.SLMPSND instruction.	<ul style="list-style-type: none"> • Correct the request data so that the response data length will be within the specified range, and execute the instruction again. • If the same error code is displayed again even after taking an action, please consult your local Mitsubishi representative. 	QnUDV QnUDPV LCPU
4D30 _H	Operation history function error	Since the operation history clearing is disabled, the data cannot be cleared.	Uncheck the box of "Disable clearing operation history" in the PLC parameter.	QnUDV QnUDPV
4D31 _H	Operation history function error	Since the operation history file is being accessed by other devices, the operation history clearing is failed.	Wait for a while and retry.	QnUDV QnUDPV
4D32 _H	Operation history function error	Access to the operation history file is failed.	<ul style="list-style-type: none"> • Check that the SD memory card is properly inserted. • Check that the SD memory card is not forcibly disabled. • Check that the write protect switch is not locked. 	QnUDV QnUDPV

Error code (Hexadecimal)	Error item	Error details	Corrective action	Corresponding CPU
4D33 _H	Operation history function error	Displaying the operation history file is failed.	<ul style="list-style-type: none"> • Check that the SD memory card is properly inserted. • Check that the SD memory card is not forcibly disabled. • Check that an operation history file with a different capacity from the one set in the operation history setting does not exist in the saving destination memory. 	QnUDV QnUDPV
4D34 _H	Operation history function error	Since the operation history function is disabled, the operation history cannot be read.	Enable the operation history function and retry.	QnUDV QnUDPV
7D00 _H	Predefined protocol related error (built-in/adapter serial)	Setting value of protocol No. is out of range in the control data of S(P).CPRTCL instruction.	Check the setting value of protocol No.	LCPU
7D02 _H	Predefined protocol related error (built-in/adapter serial)	<ul style="list-style-type: none"> • Protocol was executed while SM1332 is off. • S(P).CPRTCL instruction was executed while the protocol setting data was checking. • S(P).CPRTCL instruction was executed while error occurred in the protocol setting data. • Protocol setting file has not been written to valid drive. 	<ul style="list-style-type: none"> • Execute the S(P).CPRTCL instruction after SM1332 is turned on. • Write the protocol setting data after turning the CPU to STOP so that S(P).CPRTCL instruction is not concurrently executed. • Execute the S(P).CPRTCL instruction after rewriting protocol setting data to CPU. • If the same error is displayed again after rewriting, the cause is a hardware failure of the CPU module. Please consult your local Mitsubishi representative. 	LCPU
7D10 _H	Predefined protocol related error (built-in/adapter serial)	<ul style="list-style-type: none"> • Protocol No. which was not registered to CPU was specified at S(P).CPRTCL instruction control data. • S(P).CPRTCL instruction was executed though the protocol setting data have not been written to CPU. 	<ul style="list-style-type: none"> • Check whether the specified protocol No. is correct. • Check whether the specified protocol No. has been registered by the value for the with/without protocol registration (SD1342 to SD1349). • Execute the S(P).CPRTCL instruction again after rewriting the protocol setting data. 	LCPU
7D12 _H	Predefined protocol related error (built-in/adapter serial)	<ul style="list-style-type: none"> • Transmission monitoring time was up. • Failed to send though the system retried to send for the maximum number of retries. 	Check whether the cable is connected.	LCPU
7D13 _H	Predefined protocol related error (built-in/adapter serial)	Receive wait time was up.	<ul style="list-style-type: none"> • Check whether the cable is connected. • Check whether any errors are found in the target device. • Check whether the sending data from the target device has not been interrupted. • Check whether any of data were lost because of receive error. • Check whether the send data (packet) from the target device is correct. 	LCPU
7D16 _H	Predefined protocol related error (built-in/adapter serial)	<ul style="list-style-type: none"> • S(P).CPRTCL instruction ended abnormally because the cancel request was accepted during protocol execution. • S(P).CPRTCL instruction ended abnormally because checking protocol setting data was executed during S(P).CPRTCL instruction execution. 	<ul style="list-style-type: none"> • Check the canceled protocol in S(P).CPRTCL instruction control data (Number of executions), remove the cause of cancel operation. • Write the protocol setting data after turning the CPU to STOP so that S(P).CPRTCL instruction is not concurrently executed. 	LCPU
7D17 _H	Predefined protocol related error (built-in/adapter serial)	Received the packet of the data length over 2048 bytes.	<ul style="list-style-type: none"> • Check the send data from external devices. • If the data send from external devices exceed 2048 bytes, split it into several files and send them separately. 	LCPU
7D18 _H	Predefined protocol related error (built-in/adapter serial)	The data (digit) corresponding to the conversion variables (variable number of data) was not enough when data was received in the protocol including the packet of conversion variables (variable number of data).	<ul style="list-style-type: none"> • Check the send data from external devices. • If protocol has been edited, check whether any errors found for the digit setting value in the packet format of the target device. 	LCPU

Error code (Hexadecimal)	Error item	Error details	Corrective action	Corresponding CPU
7D19 _H	Predefined protocol related error (built-in/adapter serial)	The data corresponding to the conversion variables (fixed number of data and variable number of digits) was 0-bite or exceeded the maximum number of digits when data was received in the protocol including the packet of conversion variables (fixed number of data and variable number of digits).	<ul style="list-style-type: none"> • Check the send data from external devices. • If protocol has been edited, check whether any errors found for the digit setting value in the packet format of the target device. 	LCPU
7D1A _H	Predefined protocol related error (built-in/adapter serial)	Data length does not match between the data length shown by length and the one of conversion variables in the received data from external devices.	<ul style="list-style-type: none"> • Check the send data from external devices. (1) Check whether the length value is correct. (2) Check whether any of data were lost in conversion variables. • If protocol has been edited, check whether any errors found for the conversion variables in the packet format of the target device. 	LCPU
7D1B _H	Predefined protocol related error (built-in/adapter serial)	The data corresponding to the conversion variables exceeded the CPU capable range when data was received in the protocol including the packet of conversion variables.	<ul style="list-style-type: none"> • Check the send data from external devices. • If protocol has been edited, check whether any errors found for the conversion size setting in the packet format of the target device. (1) If the value exceeds the word size, change the conversion size to the one of double word. (2) If the value exceeds the double word size, change the elements to the non-conversion variables. 	LCPU
7D20 _H	Predefined protocol related error (built-in/adapter serial)	Setting value in Data Length Storage Area, Data Quantity Storage Area is out of range.	<ul style="list-style-type: none"> • Check the maximum data length for Data Length Storage Area, reset a value within the range. • Check the maximum number of data for Data Quantity Storage Area, reset a value within the range. 	LCPU
7D21 _H	Predefined protocol related error (built-in/adapter serial)	<ul style="list-style-type: none"> • Decimal point position for variable point is out of range. • Number of decimals is bigger than the one of Number of digits per data. 	<ul style="list-style-type: none"> • Check the decimal point position. • Check the number of digits, set the decimal point position to the one less than the number of digits. 	LCPU
7F20 _H	Predefined protocol related error (built-in/adapter serial)	<ul style="list-style-type: none"> • Unable to convert the data to the binary one when data was received in the protocol including the packet of conversion variables. • Unable to convert the data corresponding to check code to the binary one when data was received in the protocol including the packet of check code (ASCII Hexadecimal or ASCII Decimal). 	<ul style="list-style-type: none"> • Communicate again after checking the send message, changing it. • If protocol has been edited, check whether any errors found for the setting value of the contents, sign character, number of decimals, delimiter or digit in the packet format of the target device. • If protocol has been edited, check whether any errors found for the type of check code or data length in the packet format of the target device. 	LCPU
7F24 _H	Predefined protocol related error (built-in/adapter serial)	<ul style="list-style-type: none"> • Calculated sumcheck does not match the received one. • Calculated horizontal parity code does not match the received one. • Calculated check code does not match the received one. 	<ul style="list-style-type: none"> • Check the sum check of the target device. • Check the horizontal parity code of the target device. • Check the check code (sum check, horizontal parity code, CRC-16) of the target device. • If protocol has been edited, check whether any errors found for the process method of check code, code type, data length, data order, complement calculation and calculation range in the packet format of the target device. 	LCPU
7F67 _H	Predefined protocol related error (built-in/adapter serial)	CPU received the next data before completing receiving process.	<ul style="list-style-type: none"> • Communicate again after slowing the communication speed. • Check whether momentary power failure has not occurred at the station connected to CPU. (Able to check by SD1005 of special register) Remove the cause if momentary power failure has occurred. 	LCPU

Error code (Hexadecimal)	Error item	Error details	Corrective action	Corresponding CPU
7F68 _H	Predefined protocol related error (built-in/adaptor serial)	<ul style="list-style-type: none"> Setting for stop bit is not correct. Line could not establish a secure connection by the ON/OFF operation of the Target Station. Noise is generated in line. In multi-drop connection, data were simultaneously sent from multiple devices. 	<ul style="list-style-type: none"> Match the setting between CPU and the target device. Take noise reduction measures. Provide interlocks so that data are not simultaneously sent from multiple devices in multi-drop connection. 	LCPU
7F69 _H	Predefined protocol related error (built-in/adaptor serial)	<ul style="list-style-type: none"> Setting for parity bit is not correct. Line could not establish a secure connection by the ON/OFF operation of the Target Station. Noise is generated in line. In multi-drop connection, data were simultaneously sent from multiple devices. 	<ul style="list-style-type: none"> Match the setting between CPU and the target device. Take noise reduction measures. Provide interlocks so that data are not simultaneously sent from multiple devices in multi-drop connection. 	LCPU
7F6A _H	Predefined protocol related error (built-in/adaptor serial)	Skipped the receive data because of the overflow of receive buffer.	Clear the receive buffer by executing the Predefined protocol with data receiving.	LCPU
7FC8 _H	Predefined protocol related error (built-in/adaptor serial)	<ul style="list-style-type: none"> Invalid setting was found in edited protocol. Unsupported function is included in the protocol setting data written to the CPU module. The protocol setting data written to the CPU module is corrupted. 	Check the protocol setting data and register it again.	LCPU
7FF2 _H	Predefined protocol related error (built-in/adaptor serial)	In executable instruction under the current predefined protocol setting.	Check the predefined protocol setting.	LCPU
C055 _H	iQ Sensor Solution related error	System error	<ul style="list-style-type: none"> Check the operating status and connection status of each device supporting iQ Sensor Solution. Check the connection status of each Ethernet cable and the hub. Check the line status of Ethernet. Reset the CPU module and devices supporting iQ Sensor Solution, and execute the function again. If the same error code is displayed again even after the above actions are taken, please consult the manufacturer of the device supporting iQ Sensor Solution. 	QnUDV QnUDPV LCPU
C056 _H	iQ Sensor Solution related error	System error	<ul style="list-style-type: none"> Check the operating status and connection status of each device supporting iQ Sensor Solution. Check the connection status of each Ethernet cable and the hub. Check the line status of Ethernet. Reset the CPU module and devices supporting iQ Sensor Solution, and execute the function again. If the same error code is displayed again even after the above actions are taken, please consult the manufacturer of the device supporting iQ Sensor Solution. 	QnUDV QnUDPV LCPU
C059 _H	iQ Sensor Solution related error	The function not supported by the target device supporting iQ Sensor Solution was executed.	Check the version of the device supporting iQ Sensor Solution.	QnUDV QnUDPV LCPU
C05C _H	iQ Sensor Solution related error	<ul style="list-style-type: none"> The communication setting value is out of the range. The communication setting item not supported by the target device supporting iQ Sensor Solution is set. The setting item required for the target device supporting iQ Sensor Solution is not set. 	Review the settings, and execute the function again.	QnUDV QnUDPV LCPU

A

Error code (Hexadecimal)	Error item	Error details	Corrective action	Corresponding CPU
C061 _H	iQ Sensor Solution related error	System error	<ul style="list-style-type: none"> • Check the operating status and connection status of each device supporting iQ Sensor Solution. • Check the connection status of each Ethernet cable and the hub. • Check the line status of Ethernet. • Reset the CPU module and devices supporting iQ Sensor Solution, and execute the function again. • If the same error code is displayed again even after the above actions are taken, please consult the manufacturer of the device supporting iQ Sensor Solution. 	QnUDV QnUDPV LCPU
C080 _H	MELSOFT connection extended setting related error	The target IP address is not obtained in MELSOFT connection extended setting.	Set the station number <-> IP information to the CPU module.	QnUDV QnUDPV
C086 _H	MELSOFT connection extended setting related error	A received message exceeds the receptive size.	Correct the size of the send message of request source.	QnUDV QnUDPV
C0C7 _H	Predefined protocol related error (Ethernet)	System error.	<ul style="list-style-type: none"> • Take countermeasures such as network isolation, reduction the number of data sends and the like, so that it reduces the load of Ethernet. • Contact to network administrator to reduce the load of Ethernet line. • Check the line status by PING test from the target device. • Execute again. If the same error code is displayed, please consult your local Mitsubishi representative. 	QnUDV QnUDPV LCPU
C0D0 _H	MELSOFT connection extended setting related error	The data length is specified incorrectly.	Check and correct the specified value of the data length.	QnUDV QnUDPV
C0D3 _H , C0D4 _H	MELSOFT connection extended setting related error	Number of relay stations of communications relayed through Ethernet, CC-Link IE Controller Network, CC-Link IE Field Network and MELSECNET/H exceeds the allowable number.	<ul style="list-style-type: none"> • Check the specified value of the communication destination. • Check and correct the setting value of station No. <-> IP information between host station and target of the communications. 	QnUDV QnUDPV
C0D6 _H	MELSOFT connection extended setting related error	Network number and station number are specified incorrectly.	<ul style="list-style-type: none"> • Check and correct the specification detail of the communication destination. • Check and correct the specified value of the communication destination. 	QnUDV QnUDPV
C0DC _H	MELSOFT connection extended setting related error	System error (OS has detected some error.)	<ul style="list-style-type: none"> • Check that the power supply module and the CPU module are mounted on the base unit properly. • Check that the system is operating within the general specifications of the CPU module. • Check whether the power capacity is sufficient. • Reset the CPU module. • Execute again. If the same error code is displayed, the cause is a hardware failure of the CPU module. Please consult your local Mitsubishi representative. 	QnUDV QnUDPV
C101 _H	E-mail related error	DNS client response timeout error	<ul style="list-style-type: none"> • Check the DNS server address setting. • Check that the communications with the DNS server is enabled by using the PING command. • Check that the own station IP address and the DNS server IP address are in the same class. (If not, check the router setting.) 	LCPU

Error code (Hexadecimal)	Error item	Error details	Corrective action	Corresponding CPU
C111 _H	E-mail related error	DNS client response timeout error	<ul style="list-style-type: none"> • Check the connection status of each cable and the hub. • Check that the communications with the DNS server is enabled by using the PING command. 	LCPU
C119 _H	E-mail related error	There is no incoming mail.	Check SM1662 if there is any incoming mail on the server.	LCPU
C11B _H	E-mail related error	After e-mail was sent, an error mail was returned from the destination mail server.	<ul style="list-style-type: none"> • Receive e-mail with unknown destination or unknown destination server from the SMTP server. (Received mail is stored.) • Check that the e-mail address (local part or domain name) set in parameter or e-mail address table is correct. • Check that the mail address (local part or domain name) is set to the destination mail server. 	LCPU
C120 _H	E-mail related error	Connection to the SMTP server cannot be opened. (TCP connection timeout error)	<ul style="list-style-type: none"> • Check the port number of the SMTP server. • Check that the communications with the SMTP server is enabled by using the PING command. 	LCPU
C121 _H	E-mail related error	The CPU module cannot communicate with the SMTP server. (Error response) (TCP connection error)	Check that the SMTP server is not busy.	LCPU
C124 _H	E-mail related error	The response from the SMTP server timed out. (SMTP state transition timeout error)	<ul style="list-style-type: none"> • Check that the SMTP server is operating correctly. • Check that there is no load on the network. 	LCPU
C126 _H	E-mail related error	Connection to the SMTP server cannot be closed. (Failed-to-close-connection error)	<ul style="list-style-type: none"> • Check that the SMTP server is operating correctly. • Check that there is no load on the network. 	LCPU
C13D _H	E-mail related error	SMTP server authentication error	<ul style="list-style-type: none"> • Check that the account name and password of the SMTP server are correctly set. • Check the operating status of the SMTP server. 	LCPU
C13E _H	E-mail related error	SMTP server authentication unsupported error	<ul style="list-style-type: none"> • Check that the SMTP server supports SMTP Authentication. • Change the authentication setting in parameter. (Deselect the "Authenticate" checkbox, or select "Use POP before SMTP"). 	LCPU
C140 _H	E-mail related error	Connection to the POP3 server cannot be opened. (TCP connection timeout error)	<ul style="list-style-type: none"> • Check the port number of the POP3 server. • Check that the communications with the POP3 server is enabled by using the PING command. 	LCPU
C141 _H	E-mail related error	The CPU module cannot communicate with the POP3 server. (Error response) (TCP connection error)	Check that the POP3 server is not busy.	LCPU
C144 _H	E-mail related error	The CPU module was not able to receive a response from the POP3 server. (POP3 state transition timeout error)	<ul style="list-style-type: none"> • Check that the POP3 server is operating correctly. • Check that there is no load on the network. 	LCPU
C146 _H	E-mail related error	Connection to the POP3 server cannot be closed. (Failed-to-close-connection error)	<ul style="list-style-type: none"> • Check that the POP3 server is operating correctly. • Check that there is no load on the network. 	LCPU
C151 _H	E-mail related error	The e-mail address set to the CPU module in E-mail Setting parameter differs from the account name set to the mailbox on the server side. (User mailbox specification error)	Correct the e-mail address set to the CPU module so that the account name matches the one set to the server.	LCPU
C152 _H	E-mail related error	The password set to the CPU module in E-mail Setting parameter differs from the one set on the server side. (Password setting error)	Correct the password set to the CPU module so that it matches the one set to the server.	LCPU
C170 _H	E-mail related error	An error is returned from the DNS server.	<ul style="list-style-type: none"> • Check that the IP address of the DNS server is set correctly. • Check that the mail server name (SMTP server name, POP server name) is set correctly. • Check with a network manager if the server set as a DNS server is operating correctly. 	LCPU

Error code (Hexadecimal)	Error item	Error details	Corrective action	Corresponding CPU
C1B6 _H	E-mail related error	The destination number setting is incorrect. (Destination number setting error)	<ul style="list-style-type: none"> • Check and correct the destination number setting. • Check and correct the e-mail address setting in parameter or e-mail address table. 	LCPU
C400 _H	Predefined protocol related error (Ethernet)	<ul style="list-style-type: none"> • SP.ECPRTCL instruction was executed before the Predefined protocol ready (SM1354) is turned ON. • SP.ECPRTCL instruction was executed while error occurred in the protocol setting data. 	<ul style="list-style-type: none"> • Execute the SP.ECPRTCL instruction after the Predefined protocol ready (SM1354) is turned ON. • Execute the SP.ECPRTCL instruction after rewriting protocol setting data to CPU. • If the same error code is displayed again after rewriting, the cause is a hardware failure of the CPU module. Please consult your local Mitsubishi representative. 	QnUDV QnUDPV LCPU
C401 _H	Predefined protocol related error (Ethernet)	Executed protocol No. has not been registered.	<ul style="list-style-type: none"> • Execute the protocol again after checking the specified protocol No. • Register the corresponding protocol to the specified protocol No. 	QnUDV QnUDPV LCPU
C402 _H	Predefined protocol related error (Ethernet)	Protocol setting data is invalid.	Check the protocol setting data and register it again.	QnUDV QnUDPV LCPU
C404 _H	Predefined protocol related error (Ethernet)	SP.ECPRTCL instruction ended abnormally because the cancel request was accepted during protocol execution.	Check the canceled protocol in SP.ECPRTCL instruction control data (number of executions) and remove the cause of cancel operation.	QnUDV QnUDPV LCPU
C405 _H	Predefined protocol related error (Ethernet)	Setting value of protocol No. specified when protocol was executed is out of range.	Execute the protocol again after checking the specified protocol No.	QnUDV QnUDPV LCPU
C410 _H	Predefined protocol related error (Ethernet)	Receive wait time was up.	<ul style="list-style-type: none"> • Check whether the cable is connected. • Check the setting of specified connection No., execute protocol again if there aren't any problem found. • Check whether any errors are found in the target device. • Check whether the sending data from the target device has not been interrupted. • Check whether any of data were lost because of receive error. • Check whether the send data (packet) from the target device is correct. 	QnUDV QnUDPV LCPU
C417 _H	Predefined protocol related error (Ethernet)	Setting value in Data Length Storage Area, Data Quantity Storage Area is out of range.	<ul style="list-style-type: none"> • Check the maximum data length for Data Length Storage Area, reset a value within the range. • Check the maximum number of data for Data Quantity Storage Area, reset a value within the range. 	QnUDV QnUDPV LCPU
C430 _H	Predefined protocol related error (Ethernet)	Protocol setting data check occurred while SP.ECPRTCL instruction is executed.	Cancel the instruction and check the protocol setting data while SP.ECPRTCL is being executed.	QnUDV QnUDPV LCPU
C431 _H	Predefined protocol related error (Ethernet)	Connection close occurred while SP.ECPRTCL instruction is executed.	<ul style="list-style-type: none"> • Check the behavior of the target device. • Check the connection open status with the target device. • Execute the instruction after opening the connection again with the target device. 	QnUDV QnUDPV LCPU
CEE0 _H	iQ Sensor Solution related error	While the automatic detection is being performed, the automatic detection or another iQ Sensor Solution function was executed by another peripheral.	Execute the function after the automatic detection that is currently being performed ends.	QnUDV QnUDPV LCPU

Error code (Hexadecimal)	Error item	Error details	Corrective action	Corresponding CPU
CEE1 _H	iQ Sensor Solution related error	System error	<ul style="list-style-type: none"> • Check the operating status and connection status of each device supporting iQ Sensor Solution. • Check the connection status of each Ethernet cable and the hub. • Check the line status of Ethernet. • Reset the CPU module and devices supporting iQ Sensor Solution, and execute the function again. • If the same error code is displayed again even after the above actions are taken, please consult the manufacturer of the device supporting iQ Sensor Solution. 	QnUDV QnUDPV LCPV
CEE2 _H	iQ Sensor Solution related error	System error	<ul style="list-style-type: none"> • Check the operating status and connection status of each device supporting iQ Sensor Solution. • Check the connection status of each Ethernet cable and the hub. • Check the line status of Ethernet. • Reset the CPU module and devices supporting iQ Sensor Solution, and execute the function again. • If the same error code is displayed again even after the above actions are taken, please consult the manufacturer of the device supporting iQ Sensor Solution. 	QnUDV QnUDPV LCPV
CF10 _H	iQ Sensor Solution related error	System error	<ul style="list-style-type: none"> • Check the operating status and connection status of each device supporting iQ Sensor Solution. • Check the connection status of each Ethernet cable and the hub. • Check the line status of Ethernet. • Reset the CPU module and devices supporting iQ Sensor Solution, and execute the function again. • If the same error code is displayed again even after the above actions are taken, please consult the manufacturer of the device supporting iQ Sensor Solution. 	QnUDV QnUDPV LCPV
CF20 _H	iQ Sensor Solution related error	<ul style="list-style-type: none"> • The communication setting value is out of the range. • The communication setting item not supported by the target device supporting iQ Sensor Solution is set. • The setting item required for the target device supporting iQ Sensor Solution is not set. 	Review the settings, and execute the function again.	QnUDV QnUDPV LCPV
CF30 _H	iQ Sensor Solution related error	A parameter not supported by the target device supporting iQ Sensor Solution was specified.	Check the version of the device supporting iQ Sensor Solution.	QnUDV QnUDPV LCPV
CF31 _H	iQ Sensor Solution related error	System error	<ul style="list-style-type: none"> • Check the operating status and connection status of each device supporting iQ Sensor Solution. • Check the connection status of each Ethernet cable and the hub. • Check the line status of Ethernet. • If the same error code is displayed again even after the above actions are taken, please consult the manufacturer of the device supporting iQ Sensor Solution. 	QnUDV QnUDPV LCPV

A

Error code (Hexadecimal)	Error item	Error details	Corrective action	Corresponding CPU
CF41 _H	iQ Sensor Solution related error	The information required for monitoring cannot be read from the device supporting iQ Sensor Solution.	<ul style="list-style-type: none"> • Check the operating status and connection status of each device supporting iQ Sensor Solution. • Reset the devices supporting iQ Sensor Solution, and execute the function again. • If the same error code is displayed again even after the above actions are taken, please consult the manufacturer of the device supporting iQ Sensor Solution. 	QnUDV QnUDPV LCPU
CF50 _H	iQ Sensor Solution related error	System error	<ul style="list-style-type: none"> • Check the operating status and connection status of each device supporting iQ Sensor Solution. • Check the connection status of each Ethernet cable and the hub. • Check the line status of Ethernet. • Reset the CPU module and devices supporting iQ Sensor Solution, and execute the function again. • If the same error code is displayed again even after the above actions are taken, please consult the manufacturer of the device supporting iQ Sensor Solution. 	QnUDV QnUDPV LCPU
CF51 _H	iQ Sensor Solution related error	The function cannot be executed because the function from another peripheral is being executed.	Execute the function again after a while.	QnUDV QnUDPV LCPU
CF52 _H	iQ Sensor Solution related error	The information required for monitoring cannot be read from the device supporting iQ Sensor Solution.	<ul style="list-style-type: none"> • Check the operating status and connection status of each device supporting iQ Sensor Solution. • Reset the devices supporting iQ Sensor Solution, and execute the function again. • If the same error code is displayed again even after the above actions are taken, please consult the manufacturer of the device supporting iQ Sensor Solution. 	QnUDV QnUDPV LCPU
CF53 _H	iQ Sensor Solution related error	System error	<ul style="list-style-type: none"> • Check the operating status and connection status of each device supporting iQ Sensor Solution. • Check the connection status of each Ethernet cable and the hub. • Check the line status of Ethernet. • Reset the CPU module and devices supporting iQ Sensor Solution, and execute the function again. • If the same error code is displayed again even after the above actions are taken, please consult the manufacturer of the device supporting iQ Sensor Solution. 	QnUDV QnUDPV LCPU
CF54 _H	iQ Sensor Solution related error	System error	<ul style="list-style-type: none"> • Check the operating status and connection status of each device supporting iQ Sensor Solution. • Check the connection status of each Ethernet cable and the hub. • Check the line status of Ethernet. • Reset the CPU module and devices supporting iQ Sensor Solution, and execute the function again. • If the same error code is displayed again even after the above actions are taken, please consult the manufacturer of the device supporting iQ Sensor Solution. 	QnUDV QnUDPV LCPU


Error code (Hexadecimal)	Error item	Error details	Corrective action	Corresponding CPU
CF55 _H	iQ Sensor Solution related error	System error	<ul style="list-style-type: none"> • Check the operating status and connection status of each device supporting iQ Sensor Solution. • Check the connection status of each Ethernet cable and the hub. • Check the line status of Ethernet. • Reset the CPU module and devices supporting iQ Sensor Solution, and execute the function again. • If the same error code is displayed again even after the above actions are taken, please consult the manufacturer of the device supporting iQ Sensor Solution. 	QnUDV QnUDPV LCPU
CF56 _H	iQ Sensor Solution related error	System error	<ul style="list-style-type: none"> • Check the operating status and connection status of each device supporting iQ Sensor Solution. • Check the connection status of each Ethernet cable and the hub. • Check the line status of Ethernet. • Reset the CPU module and devices supporting iQ Sensor Solution, and execute the function again. • If the same error code is displayed again even after the above actions are taken, please consult the manufacturer of the device supporting iQ Sensor Solution. 	QnUDV QnUDPV LCPU
CF60 _H	iQ Sensor Solution related error	The backup processing does not start when the iQ Sensor Solution function (data backup) is executed.	<ul style="list-style-type: none"> • Check the operating status and connection status of each device supporting iQ Sensor Solution. • Reset the CPU module and devices supporting iQ Sensor Solution, and execute the function again. • If the same error code is displayed again even after the above actions are taken, please consult the manufacturer of the device supporting iQ Sensor Solution. 	QnUDV QnUDPV LCPU
CF61 _H	iQ Sensor Solution related error	The backup processing does not start when the iQ Sensor Solution function (data backup) is executed.	<ul style="list-style-type: none"> • Check the operating status and connection status of each device supporting iQ Sensor Solution. • Reset the CPU module and devices supporting iQ Sensor Solution, and execute the function again. • If the same error code is displayed again even after the above actions are taken, please consult the manufacturer of the device supporting iQ Sensor Solution. 	QnUDV QnUDPV LCPU
CF62 _H	iQ Sensor Solution related error	The backup processing does not stop after the iQ Sensor Solution function (data backup) is executed.	<ul style="list-style-type: none"> • Check the operating status and connection status of each device supporting iQ Sensor Solution. • Reset the CPU module and devices supporting iQ Sensor Solution, and execute the function again. • If the same error code is displayed again even after the above actions are taken, please consult the manufacturer of the device supporting iQ Sensor Solution. 	QnUDV QnUDPV LCPU
CF63 _H	iQ Sensor Solution related error	When the restoration of the iQ Sensor Solution function (data backup/restoration) is performed, the backup source device and the restoration target device do not match.	<ul style="list-style-type: none"> • Check the manufacturers, models, and versions of the specified backup source device supporting iQ Sensor Solution and the restoration target device supporting iQ Sensor Solution. 	QnUDV QnUDPV LCPU

A

Error code (Hexadecimal)	Error item	Error details	Corrective action	Corresponding CPU
CF64 _H	iQ Sensor Solution related error	The restoration processing does not start when the iQ Sensor Solution function (data restoration) is executed.	<ul style="list-style-type: none"> • Check the operating status and connection status of each device supporting iQ Sensor Solution. • Reset the CPU module and devices supporting iQ Sensor Solution, and execute the function again. • If the same error code is displayed again even after the above actions are taken, please consult the manufacturer of the device supporting iQ Sensor Solution. 	QnUDV QnUDPV LCPU
CF65 _H	iQ Sensor Solution related error	The restoration processing does not stop when the iQ Sensor Solution function (data restoration) is executed.	<ul style="list-style-type: none"> • Check the operating status and connection status of each device supporting iQ Sensor Solution. • Reset the CPU module and devices supporting iQ Sensor Solution, and execute the function again. • If the same error code is displayed again even after the above actions are taken, please consult the manufacturer of the device supporting iQ Sensor Solution. 	QnUDV QnUDPV LCPU
CF70 _H	iQ Sensor Solution related error	An error has occurred on the Ethernet communication route.	<ul style="list-style-type: none"> • Check the operating status and connection status of each device supporting iQ Sensor Solution. • Check the connection status of each Ethernet cable and the hub. 	QnUDV QnUDPV LCPU
CF71 _H	iQ Sensor Solution related error	Timeout error	<ul style="list-style-type: none"> • Check the operating status and connection status of each device supporting iQ Sensor Solution. • The line may be busy. Execute the function after a while. 	QnUDV QnUDPV LCPU
CFC0 _H	Cyclic transmission error (master station)	Cyclic transmission cannot be executed because multiple master stations exist in the same network address.	Check the existence of master stations on the network.	QnUDV QnUDPV LCPU
CFC1 _H	Cyclic transmission error (master station)	Cyclic transmission cannot be executed because an error has occurred during cyclic transmission.	<ul style="list-style-type: none"> • Take measures to reduce noise. • Execute again. If the same error code is displayed, please consult your local Mitsubishi representative. 	QnUDV QnUDPV LCPU
CFC8 _H	Cyclic transmission error (master station)	Cyclic transmission cannot be executed because a slave station controlled by another master station exists.	<ul style="list-style-type: none"> • Check the existence of master stations on the network. • Check the slave station where the error has occurred. 	QnUDV QnUDPV LCPU
CFC9 _H	Cyclic transmission error (master station)	Cyclic transmission cannot be executed because slave stations having the same IP address exist in the same network address.	<ul style="list-style-type: none"> • Check the existence of slave stations on the network. • Check the slave station where the error has occurred. 	QnUDV QnUDPV LCPU
CFD0 _H	Master station error	The port number (61450) used in CC-Link IE Field Network Basic has already been used.	Check and correct the port number used in the Ethernet function.	QnUDV QnUDPV LCPU
CFD1 _H	Master station error	An invalid value has been set in subnet mask.	Check and correct the parameter setting.	QnUDV QnUDPV LCPU
CFD2 _H	Master station error	Cyclic transmission cannot be executed because any PLC parameter setting has been changed during cyclic transmission.	Reset the CPU module.	QnUDV QnUDPV LCPU
CFE0 _H	Cyclic transmission error (slave station)	The cyclic transmission was executed for the slave station controlled by another master station.	<ul style="list-style-type: none"> • Check the existence of master stations on the network. • Check the slave station where the error has occurred. 	QnUDV QnUDPV LCPU
CFE1 _H	Cyclic transmission error (slave station)	The unusable number of occupied stations has been specified from master station.	Check the number of occupied stations setting in master station parameter (Network Configuration Settings).	QnUDV QnUDPV LCPU

Error code (Hexadecimal)	Error item	Error details	Corrective action	Corresponding CPU
CFE8 _H	Cyclic transmission error (slave station)	There is no response from a slave station.	<ul style="list-style-type: none"> • Check the slave station disconnection detection setting in master station parameter (Network Configuration Settings). • Check the existence of slave stations on the network. • Check the disconnected slave station. • Take measures to reduce noise. 	QnUDV QnUDPV LCPV
CFE9 _H	Cyclic transmission error (slave station)	Slave stations having the same IP address exist in the same network address.	Check the slave station where the error has occurred.	QnUDV QnUDPV LCPV
CFF0 _H	Slave station error	An error has occurred in a slave station.	Check the slave station where the error has occurred.	QnUDV QnUDPV LCPV

*1 To check the logging status, use the CPU Module Logging Configuration Tool. For how to use the CPU Module Logging Configuration Tool, refer to the following.

 QnUDV CPU/LCPU User's Manual (Data Logging Function)

*2 Built-in Ethernet port QCPU and Built-in Ethernet port LCPV



Appendix 2 List of Special Relay Areas

The special relay (SM) is an internal relay whose application is fixed in the programmable controller. For this reason, the special relay cannot be used in the same way as other internal relays are used in sequence programs. However, the bit of the special relay can be turned on or off as needed to control the CPU module.

The following table shows how to read the special relay list.

Item	Description
Number	Special relay number
Name	Special relay name
Meaning	Contents of special relay
Explanation	Detailed description of special relay
Set by (When Set)	<p>Set side and set timing of special relay</p> <p><Set by></p> <ul style="list-style-type: none"> • S: Set by system • U: Set by user (using a program, programming tool, GOT, or test operation from other external devices) • S/U: Set by both system and user <p><When Set></p> <p>The following shows the set timing when the special relay is set by system.</p> <ul style="list-style-type: none"> • Every END processing: Set during every END processing • Initial: Set during initial processing (after power-on or status change from STOP to RUN) • Status change: Set when the operating status is changed • Error: Set if an error occurs • Instruction execution: Set when an instruction is executed • Request: Set when requested by a user (using the special relay) • When system is switched: Set when the system is switched (between the control system and the standby system) • At write: Set when data are written to the CPU module by a user • During END processing: Set during END processing
Corresponding CPU	<p>CPU module supporting the special relay</p> <ul style="list-style-type: none"> • QCPU: All the Q series CPU modules • Q00J/Q00/Q01: Basic model QCPU • Qn(H): High Performance model QCPU • QnPH: Process CPU • QnPRH: Redundant CPU • QnU: Universal model QCPU • QnUDV: High-speed Universal model QCPU • QnUDPV: Universal model Process CPU • Q00UJ/Q00U/Q01U: Q00UJCPU, Q00UCPU, and Q01UCPU • LCPU: All the L series CPU modules • CPU module model: Only the specified model (Example: Q02UCPU, L26CPU-BT)
Corresponding ACPU M9□□□	<ul style="list-style-type: none"> • Special relay (M9□□□) supported by the ACPU ("M9□□□ format change" indicates the one whose application has been changed. Incompatible with the Q00J/Q00/Q01 and QnPRH.) • "New" indicates the one added for the QCPU or LCPU.

For details on the following items, refer to the following.

- For network related items:  Manuals for each network module
- For SFC programs:  MELSEC-Q/L/QnA Programming Manual (SFC)

Point

Do not change the values of special relay set by system using a program or by test operation. Doing so may result in system down or communication failure.

(1) Diagnostic information

Number	Name	Meaning	Explanation	Set by (When Set)	Corresponding ACPU M9□□□	Corresponding CPU
SM0	Diagnostic errors	OFF: No error ON: Error	<ul style="list-style-type: none"> This relay turns on if an error is detected by diagnostics. (Also turns on if an error is detected by an annunciator or the CHK instruction.) This relay remains on even after the system returns to normal. 	S (Error)	New	Qn(H) QnPH QnPRH
			<ul style="list-style-type: none"> This relay turns on if an error is detected by diagnostics. (Also turns on if an error is detected by an annunciator.) This relay remains on even after the system returns to normal. 			Q00J/Q00/Q01 QnU LCPU
SM1	Self-diagnostic error	OFF: No error ON: Error	<ul style="list-style-type: none"> This relay turns on if an error is detected by self-diagnostics. (Remains off if an error is detected by an annunciator or the CHK instruction.) This relay remains on even after the system returns to normal. 	S (Error)	M9008	Qn(H) QnPH QnPRH
			<ul style="list-style-type: none"> This relay turns on if an error is detected by self-diagnostics. (Remains off if an error is detected by an annunciator.) This relay remains on even after the system returns to normal. 		New	Q00J/Q00/Q01 QnU LCPU
SM5	Error common information	OFF: No error common information ON: Error common information	This relay turns on if error common information data exists when SM0 turns on.	S (Error)	New	QCPU LCPU
SM16	Error individual information	OFF: No error individual information ON: Error individual information	This relay turns on if error individual information data exists when SM0 turns on.	S (Error)	New	QCPU LCPU
SM50	Error reset	OFF → ON:Error clear	Conducts error reset operation	U	New	QCPU LCPU
SM51	Battery low latch	OFF: Normal ON: Battery low	<ul style="list-style-type: none"> This relay turns on if the battery voltage of the CPU module or the memory card drops below the rated value. This relay remains on even after the battery voltage returns to normal. The on/off timing is synchronized with that of the BAT. LED. 	S (Error)	M9007	Qn(H) QnPH QnPRH QnU (except the QnUDV and QnUDPV)
			<ul style="list-style-type: none"> This relay turns on if the battery voltage of the CPU module drops below the rated value. This relay remains on even after the battery voltage returns to normal. The on/off timing is synchronized with that of the BAT. LED. 		New	QnUDV QnUDPV LCPU
			<ul style="list-style-type: none"> This relay turns on if the battery voltage of the CPU module drops below the rated value. This relay remains on even after the battery voltage returns to normal. The on/off timing is synchronized with that of the ERR. LED. 		New	Q00J/Q00/Q01
SM52	Battery low	OFF: Normal ON: Battery low	This relay has the same specifications as those of SM51 except that this relay turns off after the battery voltage returns to normal.	S (Error)	M9006	QCPU LCPU

A

Appendix 2 List of Special Relay Areas

Number	Name	Meaning	Explanation	Set by (When Set)	Corresponding ACPU M9□□□	Corresponding CPU
SM53	AC/DC DOWN detection	OFF: AC/DC DOWN not detected ON: AC/DC DOWN detected	This relay turns on if a momentary power failure within 20ms occurs during use of an AC power supply module. This relay is reset when the CPU module is powered off and then on.	S (Error)	M9005	QCPU
			This relay turns on if a momentary power failure within 10ms occurs during use of an AC power supply module. This relay is reset when the CPU module is powered off and then on.			LCPU
			This relay turns on if a momentary power failure within 10ms occurs during use of a DC power supply module. This relay is reset when the CPU module is powered off and then on.			QCPU LCPU
SM56	Operation error	OFF: Normal ON: Operation error	<ul style="list-style-type: none"> This relay turns on if an operation error occurs. This relay remains on even after the system returns to normal. 	S (Error)	M9011	QCPU LCPU
SM60	Blown fuse detection	OFF: Normal ON: Module with blown fuse	<ul style="list-style-type: none"> This relay turns on if there is at least one output module whose fuse has blown. This relay remains on even after the system returns to normal. Output modules on remote I/O stations are also checked. 	S (Error)	M9000	QCPU LCPU*4
SM61	I/O module verify error	OFF: Normal ON: Error	<ul style="list-style-type: none"> This relay turns on if the status of the I/O module differs from that registered at power-on. This relay remains on even after the system returns to normal. I/O modules on remote I/O stations are also checked. 	S (Error)	M9002	QCPU LCPU
SM62	Annunciator detection	OFF: Not detected ON: Detected	This relay turns on if at least one annunciator (F) turns on.	S (Instruction execution)	M9009	QCPU LCPU
SM80	CHK detection	OFF: Not detected ON: Detected	<ul style="list-style-type: none"> This relay turns on if an error is detected by the CHK instruction. This relay remains on even after the system returns to normal. 	S (Instruction execution)	New	Qn(H) QnPH QnPRH
SM84	Error clear	OFF → ON: Error clear	This relay is turned on to clear an error set to SD84 and SD85.	U	New	QnUDV QnUDPV LCPU
SM90	Startup of monitoring timer for step transition (Enabled only when SFC program exists)	OFF: Not started (monitoring timer reset) ON: Started (monitoring timer started)	Corresponds to SD90	U	M9108	Qn(H) QnPH QnPRH
SM91			Corresponds to SD91		M9109	
SM92			Corresponds to SD92		M9110	
SM93			Corresponds to SD93		M9111	
SM94			Corresponds to SD94		M9112	
SM95			Corresponds to SD95		M9113	
SM96			Corresponds to SD96		M9114	
SM97			Corresponds to SD97		New	
SM98			Corresponds to SD98		New	
SM99			Corresponds to SD99		New	

Number	Name	Meaning	Explanation	Set by (When Set)	Corresponding ACPU M9□□□	Corresponding CPU
SM100	Serial communication function using flag	OFF: Not to be used ON: To be used	This relay stores whether the serial communication function is set to be used or not in PLC parameter.	S (Power-on or reset)	New	Q00/Q01 QnU ^{*2} LCPU ^{*3}
SM101	Communication protocol status flag	OFF: Other than MC protocol communication devices ON: MC protocol communication device	This relay stores whether the communication-target device is an MC protocol communication device or not.	S (Being communicated via RS-232 or RS-422/485)	New	Q00/Q01 QnU ^{*2} LCPU ^{*3}
SM110	Protocol error	OFF: Normal ON: Error	<ul style="list-style-type: none"> Turns on if a failed protocol was used to make communication in the serial communication function. This relay remains on even after the protocol returns to normal. 	S (Error)	New	Q00/Q01 QnU ^{*2} LCPU ^{*3}
SM111	Communication status	OFF: Normal ON: Error	<ul style="list-style-type: none"> Turns on if the mode used to make communication was different from the mode set in the serial communication function. This relay remains on even after the system returns to normal. 	S (Error)	New	Q00/Q01 QnU ^{*2} LCPU ^{*3}
SM112	Error information clear	ON: Cleared	This relay is turned on to clear error codes stored in SM110, SM111, SD110, and SD111. The error codes are cleared when this relay is turned on.	U	New	Q00/Q01 QnU ^{*2} LCPU ^{*3}
SM113	Overrun error	OFF: Normal ON: Error	This relay turns on if an overrun error occurs in communication using the serial communication function.	S (Error)	New	Q00/Q01 QnU ^{*2} LCPU ^{*3}
SM114	Parity error	OFF: Normal ON: Error	This relay turns on if a parity error occurs in communication using the serial communication function.	S (Error)	New	Q00/Q01 QnU ^{*2} LCPU ^{*3}
SM115	Framing error	OFF: Normal ON: Error	This relay turns on if a framing error occurs in communication using the serial communication function.	S (Error)	New	Q00/Q01 QnU ^{*2} LCPU ^{*3}
SM165	Program memory batch transfer execution status	OFF: Completed ON: Not being executed or Not completed	<ul style="list-style-type: none"> This relay turns on when data are written to the program cache memory. This relay turns off when program memory batch transfer is completed. This relay remains on when data written to the program cache memory are not batch-transferred to the program memory. 	S (Status change)	New	QnU ^{*1} LCPU

*1 The following modules support this area:

- Universal model QCPU whose serial number (first five digits) is "10012" or later
- Q13UDHCPU, Q26UDHCPU

*2 The following modules having an RS-232 connector support these areas:

- Universal model QCPU whose serial number (first five digits) is "13062" or later (For the Q02UCPU, the serial number (first five digits) must be "10102" or later.)
- Q00UJCPU, Q00UCPU, Q01UCPU

*3 The LCPU, except the L02SCPU and L02SCPU-P, whose serial number (first five digits) is "15102" or later

*4 Modules whose serial number (first five digits) is "16112" or later

(2) System information

Number	Name	Meaning	Explanation	Set by (When Set)	Corresponding ACPU M9□□□	Corresponding CPU
SM202	LED OFF command	OFF → ON: LED OFF	When this relay turns on from off, the LED corresponding to each bit in SD202 turns off.	U	New	Qn(H) QnPH QnPRH QnU LCPU
SM203	STOP contact	STOP status	This relay is on when the module is in the STOP status.	S (Status change)	M9042	QCPU LCPU
SM204	PAUSE contact	PAUSE status	This relay is on when the module is in the PAUSE status.	S (Status change)	M9041	QCPU LCPU
SM206	PAUSE enable coil	OFF: PAUSE disabled ON: PAUSE enabled	The status changes to PAUSE if this relay is on when the PAUSE contact turns on.	U	M9040	QCPU LCPU
SM210	Clock data set request	OFF: Ignored ON: Set request	Clock data stored in SD210 to SD213 are written to the CPU module after the END instruction execution in the scan where this relay is turned on.	U	M9025	QCPU LCPU
SM211	Clock data error	OFF: No error ON: Error	This relay turns on if an error occurs in the clock data (SD210 to SD213), and is off while there is no error.	S (Request)	M9026	QCPU LCPU
SM213	Clock data read request	OFF: Ignored ON: Read request	This relay is turned on to read clock data and store them as BCD values into SD210 to SD213.	U	M9028	QCPU LCPU
SM214	Write-protect status for device data (from outside the CPU module)	OFF: Disabled ON: Enabled	This relay turns on when the write-protect function for device data (from outside the CPU module) is enabled.	S (Initial)	New	QnUDV* ¹³ QnUDPV* ¹³
SM220	CPU No.1 preparation completed	OFF: CPU No.1 preparation uncompleted ON: CPU No.1 preparation completed	Turns on when an access to CPU No.1 from another CPU becomes possible after power-on or reset operation. This relay is used as an interlock for accessing CPU No.1 when the multiple CPU synchronous setting is set to asynchronous.	S (Status change)	New	QCPU
SM221	CPU No.2 preparation completed	OFF: CPU No.2 preparation uncompleted ON: CPU No.2 preparation completed	Turns on when an access to CPU No.2 from another CPU becomes possible after power-on or reset operation. This relay is used as an interlock for accessing CPU No.2 when the multiple CPU synchronous setting is set to asynchronous.	S (Status change)	New	QnU* ⁷
SM222	CPU No.3 preparation completed	OFF: CPU No.3 preparation uncompleted ON: CPU No.3 preparation completed	Turns on when an access to CPU No.3 from another CPU becomes possible after power-on or reset operation. This relay is used as an interlock for accessing CPU No.3 when the multiple CPU synchronous setting is set to asynchronous.	S (Status change)	New	QnU* ⁷
SM223	CPU No.4 preparation completed	OFF: CPU No.4 preparation uncompleted ON: CPU No.4 preparation completed	Turns on when an access to CPU No.4 from another CPU becomes possible after power-on or reset operation. This relay is used as an interlock for accessing CPU No.4 when the multiple CPU synchronous setting is set to asynchronous.	S (Status change)	New	QnU* ⁵
SM235	Online module change flag	OFF: Online module change is not in progress ON: Online module change in progress	This relay is on during online module change. (for host CPU)	S (During online module change)	New	QnPH

Number	Name	Meaning	Explanation	Set by (When Set)	Corresponding ACPU M9□□□	Corresponding CPU
SM236	Online module change complete flag	OFF: Online module change incomplete ON: Online module change complete	<ul style="list-style-type: none"> This relay is on only for one scan after completion of online module change. This relay can be used only in the scan execution type program. (for host CPU) 	S (When online module change is complete)	New	QnPH
SM237	Device range check inhibit flag	OFF: Device range checked ON: Device range not checked	Selects whether to check a device range during execution of the BMOV, FMOV or DFMOV instruction (only when the conditions for subset processing are established).	U	New	QnU ^{*6} LCPU
SM240	No. 1 CPU reset flag	OFF: No. 1 CPU reset cancel ON: No. 1 CPU resetting	<ul style="list-style-type: none"> Turns off when CPU No.1 is reset. Turns on while CPU No.1 is being reset (including the case where the CPU module is removed from the base unit). The other CPUs are also put in reset status. 	S (Status change)	New	Q00/Q01 ^{*1} Qn(H) ^{*1} QnPH QnU ^{*7}
		Reset status	This relay is always off. (reset status)	S (Status change)	New	LCPU
SM241	No. 2 CPU reset flag	OFF: No. 2 CPU reset cancel ON: No. 2 CPU resetting	<ul style="list-style-type: none"> Turns off when CPU No.2 is reset. Turns on while CPU No.2 is being reset (including the case where the CPU module is removed from the base unit). "MULTI CPU DOWN" (error code: 7000) is detected on the other CPUs. 	S (Status change)	New	Q00/Q01 ^{*1} Qn(H) ^{*1} QnPH QnU ^{*7}
SM242	No. 3 CPU reset flag	OFF: No. 3 CPU reset cancel ON: No. 3 CPU resetting	<ul style="list-style-type: none"> Turns off when CPU No.3 is reset. Turns on while CPU No.3 is being reset (including the case where the CPU module is removed from the base unit). "MULTI CPU DOWN" (error code: 7000) is detected on the other CPUs. 	S (Status change)	New	Q00/Q01 ^{*1} Qn(H) ^{*1} QnPH QnU ^{*7}
SM243	No. 4 CPU reset flag	OFF: No. 4 CPU reset cancel ON: No. 4 CPU resetting	<ul style="list-style-type: none"> Turns off when CPU No.4 is reset. Turns on while CPU No.4 is being reset (including the case where the CPU module is removed from the base unit). "MULTI CPU DOWN" (error code: 7000) is detected on the other CPUs. 	S (Status change)	New	Qn(H) ^{*1} QnPH QnU ^{*5}
SM244	No. 1 CPU error flag	OFF: No. 1 CPU normal ON: No. 1 CPU during stop error	<ul style="list-style-type: none"> This relay is off when CPU No.1 is normal (including the case where a continuation error has occurred). This relay is on when CPU No.1 has a stop error. 	S (Status change)	New	Q00/Q01 ^{*1} Qn(H) ^{*1} QnPH QnU ^{*7} LCPU
SM245	No. 2 CPU error flag	OFF: No. 2 CPU normal ON: No. 2 CPU during stop error	<ul style="list-style-type: none"> This relay is on when CPU No.2 is normal (including the case where a continuation error has occurred). This relay is on when CPU No.2 has a stop error. 	S (Status change)	New	Q00/Q01 ^{*1} Qn(H) ^{*1} QnPH QnU ^{*7}
SM246	No. 3 CPU error flag	OFF: No. 3 CPU normal ON: No. 3 CPU during stop error	<ul style="list-style-type: none"> This relay is off when CPU No.3 is normal (including the case where a continuation error has occurred). This relay is on when CPU No.3 has a stop error. 	S (Status change)	New	Q00/Q01 ^{*1} Qn(H) ^{*1} QnPH QnU ^{*7}
SM247	No. 4 CPU error flag	OFF: No. 4 CPU normal ON: No. 4 CPU during stop error	<ul style="list-style-type: none"> This relay is off when CPU No.4 is normal (including the case where a continuation error has occurred). This relay is on when CPU No.4 has a stop error. 	S (Status change)	New	Qn(H) ^{*1} QnPH QnU ^{*5}
SM250	Max. loaded I/O read	OFF: Ignored ON: Read	When this relay turns on from off, the largest I/O number among those of the mounted modules is read into SD250.	U	New	Qn(H) QnPH QnPRH

A

Appendix 2 List of Special Relay Areas

Number	Name	Meaning	Explanation	Set by (When Set)	Corresponding ACPU M9□□□	Corresponding CPU
SM254	All stations refresh command	OFF: Refresh arrival station ON: Refresh all stations	<ul style="list-style-type: none"> Effective for the batch refresh (also effective for the low speed cyclic) Designate whether to receive arrival stations only or to receive all slave stations in the MELSECNET/H. 	U	New	Qn(H) QnPH QnPRH
			<ul style="list-style-type: none"> Effective for the batch refresh (also effective for the low speed cyclic) Designate whether to receive arrival stations only or to receive all slave stations in the CC-Link IE Controller Network. 			Qn(H) ^{*2} QnPH QnPRH
			<ul style="list-style-type: none"> Effective for the batch refresh (also effective for the low speed cyclic) Specify whether to receive only arrival station or all stations in the MELSECNET/H or CC-Link IE Controller Network. 			QnU
SM255	MELSECNET/10, MELSECNET/H module 1 information	OFF: Operative network ON: Standby network	Turns on when it belongs to the standby network. (If no specification has been made, it is set to the operative network.)	S (Initial)	New	Qn(H) QnPH QnPRH
SM256		OFF: Reads ON: Does not read	For refresh from the network module to the CPU module, set whether to read data from the network module to a device (such as B and W) or not.	U		
SM257		OFF: Writes ON: Does not write	For refresh from the CPU module to the network module, set whether to write data in a device (such as B and W) to the network module or not.			
SM260	MELSECNET/10, MELSECNET/H module 2 information	OFF: Operative network ON: Standby network	Turns on when it belongs to the standby network. (If no specification has been made, it is set to the operative network.)	S (Initial)	New	Qn(H) QnPH QnPRH
SM261		OFF: Reads ON: Does not read	For refresh from the network module to the CPU module, set whether to read data from the network module to a device (such as B and W) or not.	U		
SM262		OFF: Writes ON: Does not write	For refresh from the CPU module to the network module, set whether to write data in a device (such as B and W) to the network module or not.			
SM265	MELSECNET/10, MELSECNET/H module 3 information	OFF: Operative network ON: Standby network	Turns on when it belongs to the standby network. (If no specification has been made, it is set to the operative network.)	S (Initial)	New	Qn(H) QnPH QnPRH
SM266		OFF: Reads ON: Does not read	For refresh from the network module to the CPU module, set whether to read data from the network module to a device (such as B and W) or not.	U		
SM267		OFF: Writes ON: Does not write	For refresh from the CPU module to the network module, set whether to write data in a device (such as B and W) to the network module or not.			

Number	Name	Meaning	Explanation	Set by (When Set)	Corresponding ACPU M9□□□	Corresponding CPU
SM270	MELSECNET/10, MELSECNET/H module 4 information	OFF: Operative network ON: Standby network	Turns on when it belongs to the standby network. (If no specification has been made, it is set to the operative network.)	S (Initial)	New	Qn(H) QnPH QnPRH
SM271		OFF: Reads ON: Does not read	For refresh from the network module to the CPU module, set whether to read data from the network module to a device (such as B and W) or not.	U		
SM272		OFF: Writes ON: Does not write	For refresh from the CPU module to the network module, set whether to write data in a device (such as B and W) to the network module or not.			
SM280	CC-Link error	OFF: Normal ON: Error	This relay turns on if a CC-Link error is detected in any of the CC-Link modules mounted, and turns off when the condition returns to normal.	S (Status change)	New	Qn(H) QnPH QnPRH
SM310	Mounting status of RS-232, RS-442/485 adapter	OFF: No adapter mounted ON: RS-232 or RS-422/485 adapter mounted	This relay stores whether the RS-232 or RS-422/485 adapter is mounted or not. The mounting status of the RS-232 or RS-422/485 adapter is checked during the initial processing, and if it is mounted, this relay turns on. The on/off status set during the initial processing is held until the CPU module is powered off and on again or is reset.	S (Initial)	New	LCPU
SM315	Communication reserved time delay enable/disable flag	OFF: Without delay ON: With delay	<ul style="list-style-type: none"> This flag is enabled when the time reserved for communication processing is set in SD315. Turns ON to delay the END processing by the time set in SD315 in order to perform communication processing. (The scan time increases by the period set in SD315.) Turns OFF to perform the END processing without a delay of the time set in SD315 when there is no communication processing. (Defaults to OFF) 	U	New	Q00J/Q00/Q01
SM319	Automatic CC-Link start	OFF: Not activated ON: Activated	<ul style="list-style-type: none"> This relay indicates whether the CC-Link module is started and all the data are refreshed by the automatic CC-Link start function. This relay is on when all the data are refreshed by the automatic CC-Link start function. Then the automatic CC-Link start function is not activated, or when the refresh device range is insufficient, this relay is turned off. (If the refresh device range set for the automatic CC-Link start function is insufficient, all of the refresh is stopped.) 	S (Initial processing and status change)	New	LCPU
SM320	Presence/absence of SFC program	OFF: SFC program absent ON: SFC program present	<ul style="list-style-type: none"> This relay is on if an SFC program is registered. This relay turns off if no SFC program is registered. 	S (Initial)	M9100	Q00J/Q00/Q01 ¹ Qn(H) QnPH QnPRH QnU LCPU

A

Appendix 2 List of Special Relay Areas

Number	Name	Meaning	Explanation	Set by (When Set)	Corresponding ACPU M9□□□	Corresponding CPU
SM321	Start/stop SFC program	OFF: SFC program not executed (stop) ON: SFC program executed (start)	<ul style="list-style-type: none"> The same value as in SM320 is set as the initial value. (This relay turns on when an SFC program is registered.) Turning off this relay stops SFC program execution. Turning on this relay restarts SFC program execution. 	S (Initial)/U	M9101 format change	Q00J/Q00/Q01 ^{*1} Qn(H) QnPH QnPRH QnU LCPU
SM322	SFC program start status	OFF: Initial start ON: Resume start	<p>In the SFC tab of "PLC Parameter", "Initial start" is set for "SFC program start mode".</p> <ul style="list-style-type: none"> At initial start:OFF At resume start:ON 	S (Initial)/U	M9102 format change	Q00J/Q00/Q01 ^{*1} Qn(H) QnPH QnPRH QnU LCPU
SM323	Presence/absence of continuous transition for entire block	OFF: Continuous transition not effective ON: Continuous transition effective	Set the presence/absence of continuous transition for the block where "Continuous transition bit" of the SFC data device has not been set.	U	M9103	Q00J/Q00/Q01 ^{*1} Qn(H) QnPH QnPRH QnU LCPU
SM324	Continuous transition prevention flag	OFF: When transition is executed ON: When no transition	<ul style="list-style-type: none"> This relay is off while the module is in the continuous transition mode or during continuous transition, and is on when continuous transition is not executed. This relay is always on while the CPU module is operating not in the continuous transition mode. 	S (Instruction execution)	M9104	Q00J/Q00/Q01 ^{*1} Qn(H) QnPH QnPRH QnU LCPU
				S (Status change)	New	Q00J/Q00/Q01 ^{*1} Qn(H) QnPH QnPRH QnU
SM325	Output mode at block stop	OFF: OFF ON: Preserves	<p>Select whether the coil outputs of the active steps are held or not at the time of a block stop.</p> <ul style="list-style-type: none"> The initial value is set to off when the output mode at a block stop is off in the parameter setting, and it is set to on when the coil outputs are set to be held. When this relay is turned off, all coil outputs are turned off. When this relay is turned on, the coil output state is held. 	S (Initial)/U	M9196	Q00J/Q00/Q01 ^{*1} Qn(H) QnPH QnPRH QnU LCPU
SM326	SFC device clear mode	OFF: Clear device ON: Preserves device	Select the device status at the time of switching from STOP to program write, and then to RUN. (All devices except the step relay)	U	New	Q00J/Q00/Q01 ^{*1} Qn(H) QnPH QnPRH QnU LCPU
SM327	Output during end step execution	OFF: Hold step output turned OFF (cleared) ON: Hold step output held	If this relay is off, the coil output turns off when the step held after transition (SC, SE, or ST) reaches the end step.	S (Initial)/U	New	Qn(H) QnPH QnPRH QnU LCPU
				U		Q00J/Q00/Q01 ^{*1}

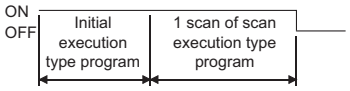
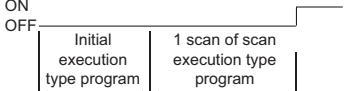
Number	Name	Meaning	Explanation	Set by (When Set)	Corresponding ACPU M9□□□	Corresponding CPU
SM328	Clear processing mode when end step is reached	OFF: Clear processing is performed. ON: Clear processing is not performed.	Select whether clear processing will be performed or not if active steps other than the ones being held exist in the block when the end step is reached. • When this relay turns OFF, all active steps are forcibly terminated to terminate the block. • When this relay is ON, the execution of the block is continued as-is. • If active steps other than the ones being held do not exist when the end step is reached, the steps being held are terminated to terminate the block.	U	New	Q00J/Q00/Q01* ¹ QnU LCPU
SM329	Online change (inactive block) status flag	OFF: Not executed ON: Being executed	This relay is on while online change (inactive block) is executed.	S (Status change)	New	QnU* ⁸ L06/L26/L26CPU -BT* ¹²
SM330	Operation mode for low speed execution type program	OFF: Asynchronous mode ON: Synchronous mode	Select whether the low speed execution type program will be executed in the asynchronous mode or in the synchronous mode. • Asynchronous mode (this relay is turned off.) The operation of the low-speed execution type program is performed continuously within an excess time. • Synchronous mode (this relay is turned on.) The operation of the low-speed execution type program is not performed continuously, but performed from the next scan, even if there is excess time.	U	New	Qn(H) QnPH
SM331	Normal SFC program execution status	OFF: Not executed ON: Being executed	• This relay stores the information on whether the normal SFC program is in execution or not. • Used as an interlock for execution of the SFC control instruction.	S (Status change)	New	Qn(H)* ³ QnPH* ⁴ QnPRH
SM332	Program execution management SFC program execution status	OFF: Not executed ON: Being executed	• This relay stores the information on whether the SFC program for program execution management is in execution or not. • Used as an interlock for execution of the SFC control instruction.	S (Status change)	New	Qn(H)* ³ QnPH* ⁴ QnPRH
SM339	Latch clear execution command	OFF → ON: Latch clear executed Except OFF → ON: Latch clear not executed	The latch data is cleared while this relay is turned on in the STOP status. When 5A01 _H is set to SD339, this relay will be valid.	U	New	QnUDV* ¹⁰ QnUDPV* ¹¹ LCPU* ⁹
SM386	Operation history information loss flag	OFF: No information loss ON: Information loss occurred	• This relay turns on when the operation history information loss has been occurred. • This relay turns off after clearing the operation history.	S (Status change)	New	QnUDV* ¹³ QnUDPV* ¹³
SM390	Access execution flag	ON indicates completion of intelligent function module access	• This relay stores the status information on the intelligent function module access instruction that was just executed. (This data is overwritten if the intelligent function module access instruction is executed again.) • Used by the user in a program as a completion bit.	S (Status change)	New	Qn(H) QnPH QnPRH
SM391	GINT instruction execution completion flag	OFF: Not executed ON: Execution completed	Stores the execution status of the S(P).GINT instruction. • Turns off before execution of the instruction. • Turns on after completion of the instruction.	S (Instruction execution)	New	Q00/Q01 Qn(H)* ¹ QnPH QnU* ⁷

A

Appendix 2 List of Special Relay Areas

- *1 Modules whose function version B or later
- *2 Modules whose serial number (first five digits) is "09012" or later
- *3 Modules whose serial number (first five digits) is "04122" or later
- *4 Modules whose serial number (first five digits) is "07032" or later
- *5 Universal model QCPU except the Q00UJCPU, Q00UCPU, Q01UCPU, and Q02UCPU
- *6 The following modules support this area:
 - Universal model QCPU whose serial number (first five digits) is "10012" or later
 - Q13UDHCPU, Q26UDHCPU
- *7 Universal model QCPU except the Q00UJCPU
- *8 Modules whose serial number (first five digits) is "12052" or later
- *9 Modules whose serial number (first five digits) is "15042" or later
- *10 Modules whose serial number (first five digits) is "15043" or later
- *11 Modules whose serial number (first five digits) is "15072" or later
- *12 Modules whose serial number (first five digits) is "15102" or later
- *13 Modules whose serial number (first five digits) is "19062" or later

(3) System clock/counter

Number	Name	Meaning	Explanation	Set by (When Set)	Corresponding ACPU M9□□□	Corresponding CPU
SM400	Always ON	ON _____ OFF	This relay is always on.	S (Every END processing)	M9036	QCPU LCPU
SM401	Always OFF	ON _____ OFF	This relay is always off.	S (Every END processing)	M9037	QCPU LCPU
SM402	After RUN, ON for 1 scan only	ON _____ OFF ← 1 scan	<ul style="list-style-type: none"> • This relay turns on for one scan after the CPU module enters the RUN status. • This relay can be used only in a scan execution type program. • When an initial execution type program is used, this relay turns off at the END processing of the scan execution type program in the first scan after the CPU module enters the RUN status. 	S (Every END processing)	M9038	Qn(H) QnPH QnPRH QnU LCPU
			<p>This relay turns on for one scan after the CPU module enters the RUN status.</p>		New	Q00J/Q00/Q01
SM403	After RUN, OFF for 1 scan only	ON ← _____ OFF	<ul style="list-style-type: none"> • This relay turns off for one scan after the CPU module enters the RUN status. • This relay can be used only in a scan execution type program. • When an initial execution type program is used, this relay turns on at the END processing of the scan execution type program in the first scan after the CPU module enters the RUN status. 	S (Every END processing)	M9039	Qn(H) QnPH QnPRH QnU LCPU
			<p>This relay turns off for one scan after the CPU module enters the RUN status.</p>		New	Q00J/Q00/Q01
SM404	Low speed execution type program ON for 1 scan only after RUN	ON _____ OFF ← 1 scan	<ul style="list-style-type: none"> • This relay turns on for one scan after the CPU module enters the RUN status. • This relay can be used only in a low-speed execution type program. 	S (Every END processing)	New	Qn(H) QnPH

Number	Name	Meaning	Explanation	Set by (When Set)	Corresponding ACPU M9□□□	Corresponding CPU
SM405	Low speed execution type program OFF for 1 scan only after RUN		<ul style="list-style-type: none"> This relay turns off for one scan after the CPU module enters the RUN status. This relay can be used only in a low-speed execution type program. 	S (Every END processing)	New	Qn(H) QnPH
SM409	0.01 second clock		<ul style="list-style-type: none"> This relay repeatedly turns on and off at 5-ms interval. This relay does not turn on/off per scan, but turns on/off whenever the specified time interval is reached. The initial state when the CPU module is powered on or reset is off. 	S (Status change)	New	Qn(H) QnPH QnPRH QnU LCPU
SM410	0.1 second clock		<ul style="list-style-type: none"> This relay repeatedly turns on and off at the specified interval. This relay does not turn on/off per scan, but turns on/off whenever the specified time interval is reached. The initial state when the CPU module is powered on or reset is off. 	S (Status change)	M9030	QCPU LCPU
SM411	0.2 second clock				M9031	
SM412	1 second clock		<ul style="list-style-type: none"> This relay repeatedly turns on and off at the specified interval. This relay does not turn on/off per scan, but turns on/off whenever the specified time interval is reached. The initial state when the CPU module is powered on or reset is off. 	S (Status change)	M9032	QCPU LCPU
SM413	2 second clock				M9033	
SM414	2n second clock		<ul style="list-style-type: none"> This relay repeatedly turns on and off at the interval specified in SD414 (unit: second). (If the value of SD414 is changed, the time that has passed after the previous ON/OFF interval of SM414 is counted as the next interval, and the ON/OFF status is changed at the next interval that is newly specified.) <p>Example: When the value of SD414 is changed from 3 to 10.</p>	S (Status change)	M9034 format change	QCPU LCPU
SM415	2n (ms) clock		<ul style="list-style-type: none"> This relay repeatedly turns on and off at the interval specified in SD415 (unit: ms). (If the value of SD415 is changed, the time that has passed after the previous ON/OFF interval of SM415 is counted as the next interval, and the ON/OFF status is changed at the next interval that is newly specified. SM415 operates in the same way as SM414.) This relay does not turn on/off per scan, but turns on/off whenever the specified time interval is reached. The initial state when the CPU module is powered on or reset is off. 	S (Status change)	New	Qn(H) QnPH QnPRH QnU LCPU

A

Number	Name	Meaning	Explanation	Set by (When Set)	Corresponding ACPU M9□□□	Corresponding CPU	
SM420	User timing clock No.0		<ul style="list-style-type: none"> This relay repeatedly turns on and off at the specified scan intervals. This relay starts with off at power-on or reset of the CPU module. (For the redundant CPU, however, this relay will become always off after system switching.) The on/off scan intervals are set by the DUTY instruction. 	S (Every END processing)	M9020	QCPU LCPU	
SM421	User timing clock No.1				M9021		
SM422	User timing clock No.2				M9022		
SM423	User timing clock No.3				M9023		
SM424	User timing clock No.4		M9024		For use with SM420 to SM424 low speed programs	New	Qn(H) QnPH
SM430	User timing clock No.5						
SM431	User timing clock No.6						
SM432	User timing clock No.7						
SM433	User timing clock No.8						
SM434	User timing clock No.9						

(4) Scan information

Number	Name	Meaning	Explanation	Set by (When Set)	Corresponding ACPU M9□□□	Corresponding CPU
SM510	Low speed program execution flag	OFF: Completed or not executed ON: Being executed	This relay is on while a low-speed execution type program is being executed.	S (Every END processing)	New	Qn(H) QnPH
SM551	Reads module service interval	OFF: Ignored ON: Read	When this relay is turned on, the service interval of the module specified by SD550 is read to SD551 and SD552.	U	New	Qn(H) QnPH QnPRH

(5) I/O refresh

Number	Name	Meaning	Explanation	Set by (When Set)	Corresponding ACPU M9□□□	Corresponding CPU
SM580	Program to program I/O refresh	OFF: Not refreshed ON: Refreshed	When this relay is turned on, I/O refresh is performed after execution of the first program, and then the next program is executed. When a sequence program and a SFC program are to be executed, the sequence program is executed, I/O refresh is performed, and then the SFC program is executed.	U	New	Q00J/Q00/Q01* 1

*1 Modules whose function version B or later

(6) Drive information

Number	Name	Meaning	Explanation	Set by (When Set)	Corresponding ACPU M9□□□	Corresponding CPU
SM600	Memory card usable flags	OFF: Unusable ON: Usable	This relay turns on when the memory card becomes ready for use.	S (Status change)	New	Qn(H) QnPH QnPRH QnU ^{*1} (except the QnUDV and QnUDPV)
			This relay turns on when the SD memory card becomes ready for use. (This relay turns on when a compatible SD memory card is inserted and set to be enabled.)			QnUDV QnUDPV LCPU
SM601	Memory card protect flag	OFF: Not protected ON: Protected	This relay is on while the write-protect switch of the memory card or SD memory card is on.	S (Status change)	New	Qn(H) QnPH QnPRH QnU ^{*1} LCPU
SM602	Drive 1 flag	OFF: No drive 1 ON: Drive 1 present	This relay is on while a RAM is being inserted. This relay is always off when the QnUDVCPU or QnUDPVCPU is used.	S (Status change)	New	Qn(H) QnPH QnPRH QnU ^{*1}
SM603	Drive 2 flag	OFF: No drive 2 ON: Drive 2 present	This relay is on while a ROM is being inserted.	S (Status change)	New	Qn(H) QnPH QnPRH QnU ^{*1} (except the QnUDV and QnUDPV)
			This relay is on while a SD memory card is being inserted. (This relay is on while a SD memory card is being inserted, regardless of the availability and the type of the card.)			QnUDV QnUDPV LCPU
SM604	Memory card in-use flag	OFF: Not used ON: In use	This relay is on while a memory card or SD memory card is being used.	S (Status change)	New	Qn(H) QnPH QnPRH QnU ^{*1} LCPU
SM605	Memory card remove/insert prohibit flag	OFF: Remove/insert enabled ON: Remove/insert prohibited	This relay is turned on to disable the insertion and removal of a memory card.	U	New	Qn(H) QnPH QnPRH QnU ^{*1} (except the QnUDV and QnUDPV)
			<ul style="list-style-type: none"> This relay is turned on to disable the insertion and removal of an SD memory card. When this relay is turned on, the system turns on SM607 (SD memory card forced disable status flag), and then turns off this relay. 	U/S		QnUDV QnUDPV
			This relay is turned on to disable the insertion and removal of a memory card. (This relay turns on when a compatible SD memory card is inserted and set to be enabled with the SD memory card lock switch. This relay does not turn on while "ICM.OPE.ERROR" occurs.)	S (Status change)		LCPU



Number	Name	Meaning	Explanation	Set by (When Set)	Corresponding ACPU M9□□□	Corresponding CPU
SM606	SD memory card forced disable instruction	OFF: SD memory card forced disable cancel instruction ON: SD memory card forced disable instruction	<ul style="list-style-type: none"> This relay is turned on to execute the SD memory card forced disable instruction. When there are any functions accessing to an SD memory card, the process of disablement is held until it is completed. This relay is turned off to cancel the SD memory card forced disable instruction. 	U	New	QnUDV QnUDPV LCPU
SM607	SD memory card forced disable status flag	OFF: Not being disabled by the SD memory card forced disable instruction ON: Being disabled by the SD memory card forced disable instruction	<ul style="list-style-type: none"> This relay turns on when an SD memory card is disabled by turning on SM606 (SD memory card forced disable instruction). This relay turns off when the forced disable status of SD memory card is canceled by turning off SM606 (SD memory card forced disable instruction). 	S (Status change)	New	QnUDV QnUDPV LCPU
SM609	Memory card remove/insert enable flag	OFF: Remove/insert prohibited ON: Remove/insert enabled	<ul style="list-style-type: none"> This relay is turned on to enable the insertion and removal of a memory card. Turned OFF by the system after the memory card is removed. This relay can be used while both SM604 and SM605 are off. 	S/U	New	Qn(H) QnPH QnPRH QnU ^{*1}
SM620	Drives 3 and 4 usable flags	OFF: Unusable ON: Usable	This relay is always on.	S (Initial)	New	QCPU LCPU
SM621	Drives 3 and 4 protection flag	OFF: Not protected ON: Protected	This relay is always off.	S (Initial)	New	QCPU LCPU
SM622	Drive 3 flag	OFF: No drive 3 ON: Drive 3 present	This relay is always on.	S (Initial)	New	Q00J/Q00/Q01 Qn(H) QnPH QnPRH QnU ^{*2} LCPU
SM623	Drive 4 flag	OFF: No drive 4 ON: Drive 4 present	This relay is always on.	S (Initial)	New	QCPU LCPU
SM624	Drive 3/4 in-use flag	OFF: Not used ON: In use	This relay is on while a file stored in the drive 3 (standard RAM) or the drive 4 (standard ROM) is being used.	S (Status change)	New	Qn(H) QnPH QnPRH QnU LCPU
SM626	Extended SRAM cassette insertion flag	OFF: Not inserted ON: Inserted	This relay is on while an extended SRAM cassette is inserted.	S (Status change)	New	QnUDV QnUDPV
SM634	Project data batch save completion flag	OFF: Not completed ON: Completed	This relay turns on upon completion of the batch save processing.	S (Status change)	New	LCPU ^{*4}
SM636	Project data batch load completion flag	OFF: Not completed ON: Completed	This relay turns on upon completion of the batch load processing.	S (Status change)	New	LCPU ^{*4}
SM638	Directory batch delete flag	ON: Batch delete being executed OFF: Batch delete not executed	This relay is on while the directory batch delete processing is being executed, and turns off when the processing ends.	S (Writing)	New	QnUDV QnUDPV
SM640	File register use	OFF: File register not used ON: File register in use	This relay is on while a file register is being used.	S (Status change)	New	Q00J/Q00/Q01 Qn(H) QnPH QnPRH QnU ^{*2} LCPU
SM650	Comment use	OFF: File register not used ON: File register in use	This relay is on while a comment file is being used.	S (Status change)	New	Qn(H) QnPH QnPRH QnU LCPU

Number	Name	Meaning	Explanation	Set by (When Set)	Corresponding ACPU M9□□□	Corresponding CPU
SM660	Boot operation	OFF: Internal memory execution ON: Boot operation in progress	<ul style="list-style-type: none"> This relay is on during boot operation. This relay turns off when the boot specification switch is turned off. 	S (Status change)	New	Qn(H) QnPH QnPRH
		OFF: Program memory execution ON: Boot operation in progress	This relay is on during boot operation.			Q00J/Q00/Q01 QnU*3 LCPU
SM671	Latch data backup to standard ROM completion flag	OFF: Not completed ON: Completed	<ul style="list-style-type: none"> This relay turns on when latch data backup to the standard ROM is completed. Time when the backup is completed is stored in SD672 or later. 	S (Status change)	New	QnU LCPU
SM672	Memory card file register access range flag	OFF: Within access range ON: Outside access range	<ul style="list-style-type: none"> This relay turns on when an area outside a file register range in a memory card is accessed. (This relay is set at END processing.) This relay is reset from a program. 	S/U	New	Qn(H) QnPH QnPRH
SM675	Error completion of latch data backup to standard ROM	OFF: No error ON: Error	<ul style="list-style-type: none"> This relay turns on if latch data backup to the standard ROM is not completed. This relay turns off when the backup is completed. 	S	New	QnU LCPU
SM676	Specification of restoration repeated execution	OFF: Not specified ON: Specified	<ul style="list-style-type: none"> When latch data are backed up while this relay is on, the backup data will be restored at every power-on of the CPU module. The backup data will be restored at every power-on until the latch data are deleted or the latch data are backed up again. 	U	New	QnU LCPU
SM680	Program memory write error	ON: Write error OFF: Write not executed/normal	This relay turns on if a write error is detected during writing to the program memory (flash ROM). This relay turns off when a write command is given.	S (At write)	New	QnU LCPU
SM681	Program memory writing flag	ON: During writing OFF: Write not executed	This relay is on during writing to the program memory (flash ROM) and turns off when the writing is completed.	S (At write)	New	QnU LCPU
SM682	Program memory overwrite count error flag	ON: Overwrite count is 100,000 or more OFF: Overwrite count is less than 100,000	This relay turns on when overwrite count of the program memory (flash ROM) reaches to 100,000. (It is necessary to change CPU module.)	S (At write)	New	QnU LCPU
SM685	Standard ROM write error	ON: Write error OFF: Write not executed/normal	This relay turns on if a write error is detected during writing to the standard ROM (flash ROM). This relay turns off when a write command is given.	S (At write)	New	QnU LCPU
SM686	Standard ROM writing flag	ON: During overwriting OFF: Overwrite not executed	This relay is on during writing to the standard ROM (flash ROM) and turns off when the writing is completed.	S (At write)	New	QnU LCPU
SM687	Standard ROM overwrite count error flag	ON: Overwrite count is 100,000 or more OFF: Overwrite count is less than 100,000	This relay turns on when overwrite count of the standard ROM (flash ROM) reaches to 100,000. (The CPU module requires to be replaced.)	S (At write)	New	QnU LCPU
SM691	Backup start preparation status flag	OFF: Backup start preparation not completed ON: Backup start preparation completed	Turns on when the backup preparation is completed.	S (Status change)	New	QnU*1 LCPU
SM692	Restoration complete flag	OFF: Restoration not completed ON: Restoration completed	This relay turns on when restoration of backup data in a memory card or SD memory card is completed.	S (Status change)	New	QnU*1 LCPU

A

- *1 Modules whose serial number (first five digits) is "10102" or later (except the Q00UJCPU, Q00UCPU, and Q01UCPU)
- *2 Universal model QCPU except the Q00UJCPU
- *3 Universal model QCPU except the Q00UJCPU, Q00UCPU, and Q01UCPU
- *4 Modules whose serial number (first five digits) is "14042" or later

(7) Instruction-related relay

Number	Name	Meaning	Explanation	Set by (When Set)	Corresponding ACPU M9□□□	Corresponding CPU
SM700	Carry flag	OFF: Carry OFF ON: Carry ON	Carry flag used in application instruction	S (Instruction execution)	M9012	QCPU LCPUs
SM701	Number of output characters selection	OFF: Output until NULL code encountered ON: 16 characters output	Used for the PR, PRC, BINDA, DBINDA, BINHA, DBINHA, BCDDA, DBCDDA, or COMRD instruction	U	M9049	Qn(H) QnPH QnPRH QnU LCPUs
SM702	Search method	OFF: Search next ON: 2-part search	<ul style="list-style-type: none"> • Designates method to be used by search instruction. • Data must be arranged for 2-part search. 	U	New	QCPU LCPUs
SM703	Sort order	OFF: Ascending order ON: Descending order	The sort instruction is used to designate whether data should be sorted in ascending order or in descending order.	U	New	QCPU LCPUs
SM704	Block comparison	OFF: Mismatch found ON: All match	This relay turns on when all data conditions are met for the BKCMP instruction.	S (Instruction execution)	New	QCPU LCPUs
			This relay turns on when all data conditions are met for the DBKCMP instruction.			QnU ^{*2} LCPUs
SM709	DT/TM instruction improper data detection flag	OFF: Improper data not detected ON: Improper data detected	This relay turns on when the data to be compared by the DT or TM instruction cannot be recognized as date or time data, when the device (three words) to be compared is exceeding the specified device range.	S (Instruction execution)/U	New	QnU ^{*2} LCPUs
SM710	CHK instruction priority ranking flag	OFF: Conditions priority ON: Pattern priority	<ul style="list-style-type: none"> • Remains as originally set when OFF. • Priority for the CHK instruction is changed when on. 	S (Instruction execution)	New	Qn(H) QnPH QnPRH
SM715	EI flag	OFF: During DI ON: During EI	This relay is on while the EI instruction is being executed.	S (Instruction execution)	New	QCPU LCPUs
SM716	Block comparison (Except an interrupt program)	OFF: Mismatch found ON: No mismatch	This relay turns on when all data conditions are met for the DBKCMP instruction. (Initial execution type program and scan execution type program or standby type program executed from initial execution type program or scan execution type program)	S (Instruction execution)	New	QnU ^{*2} LCPUs
SM717	Block comparison (Interrupt program)	OFF: Mismatch found ON: No mismatch	This relay turns on when all data conditions are met for the DBKCMP instruction. (Interrupt program, fixed scan execution type program, or standby type program executed from interrupt program or fixed scan execution type program)	S (Instruction execution)	New	QnU ^{*2} LCPUs
SM718	Block comparison (Interrupt program (I45))	OFF: Mismatch found ON: No mismatch	This relay turns on when all data conditions are met for the DBKCMP instruction. (Interrupt program (I45) or standby type program that was executed from interrupt program (I45))	S (Instruction execution)	New	QnU ^{*3}
SM719	SMOV instruction BCD conversion prohibit flag	OFF: BCD conversion enabled ON: BCD conversion disabled	This relay switches to on when disabling conversion from BIN data to BCD data with the SMOV instruction.	U	New	QnUDV ^{*16} QnUDPV ^{*16} LCPUs ^{*15}

Number	Name	Meaning	Explanation	Set by (When Set)	Corresponding ACPU M9□□□	Corresponding CPU
SM720	Comment read completion flag	OFF: Comment read not completed	This relay turns on only during first scan after the processing of the COMRD or PRC instruction is completed.	S (Status change)	New	Qn(H) QnPH
		ON: Comment read completed	This relay turns on only during first scan after the processing of the COMRD instruction is completed.			QnPRH QnU LCPU
SM721	File being accessed	OFF: File not accessed ON: File being accessed	This relay is on while a file is being accessed by the SP.FWRITE, SP.FREAD, COMRD, PRC, or LEDC instruction.	S (Status change)	New	Qn(H) QnPH
			This relay is on while a file is being accessed by the SP.FWRITE, SP.FREAD, COMRD, or LEDC instruction.			Qn(H) QnPH QnPRH
			This relay is on while a file is being accessed by the SP.FWRITE, SP.FREAD, COMRD, or SP.DEVST instruction.			QnU
			<ul style="list-style-type: none"> This relay is on while a file is being accessed by the SP.FWRITE, SP.FREAD, COMRD, or SP.DEVST instruction. This relay is on while the standard ROM is being accessed. This relay is on while the S(P).SFCSCOMR or S(P).SFCTCOMR instruction is being executed. 			QnUDV QnUDPV
			<ul style="list-style-type: none"> This relay is on while a file is being accessed by the SP.FWRITE, SP.FREAD, COMRD, or SP.DEVST instruction. This relay is on while a SD memory card or the standard ROM is being accessed. This relay is on while the S(P).SFCSCOMR or S(P).SFCTCOMR instruction is being executed. 			LCPU
			This relay is on while an ATA card or the standard ROM is being accessed.			QnU ^{*4}
			This relay is on while the S(P).SFCSCOMR or S(P).SFCTCOMR instruction is being executed.			QnU ^{*11}
			This relay is on while the SP.FTPPUT or SP.FTPGET instruction is being executed.			LCPU ^{*17}
SM722	BIN/DBIN instruction error disabling flag	OFF: Error detection performed ON: Error detection not performed	Turned ON when "OPERATION ERROR" is suppressed for BIN or DBIN instruction.	U	New	QCPU LCPU
SM734	XCALL instruction execution condition designation	OFF: Not executed by execution condition risen ON: Executed by execution condition risen	<ul style="list-style-type: none"> During OFF, XCALL instructions will not be executed even if execution condition is risen. During ON, XCALL instructions will be executed when execution condition is risen. 	U	New	Qn(H) ^{*4}
SM735	SFC comment readout instruction in execution flag	OFF: Instruction not executed ON: Instruction being executed	This relay turns on while a SFC step comment readout instruction (S(P).SFCSCOMR) or SFC transmission condition comment readout instruction (S(P).SFCTCOMR) is being executed.	S (Instruction execution/Every END processing)	New	Qn(H) ^{*5} QnPH ^{*6} QnPRH ^{*6} QnU ^{*11} L06/L26/L26CPU -BT ^{*14}



Appendix 2 List of Special Relay Areas

Number	Name	Meaning	Explanation	Set by (When Set)	Corresponding ACPU M9□□□	Corresponding CPU
SM738	MSG instruction reception flag	OFF: Instruction not executed ON: Instruction executed	This relay turns on when the MSG instruction is executed.	S (Instruction execution)	New	Qn(H) QnPRH
SM739	Refresh device write/read instruction in execution flag	OFF: Instruction not executed ON: Instruction being executed	This relay is on while a refresh device writing/reading instruction (S(P).REFDVWRB, S(P).REFDVWRW, S(P).REFDVRDB, or S(P).REFDVRDW) is being executed. This relay turns off when the instruction is completed at END processing.	S (Instruction execution/Every END processing)	New	QnU ^{*13} LCPU ^{*12}
SM740	Display unit availability flag	OFF: Unusable ON: Usable	This relay is on while the display unit can be used.	S (Initial/Status change)	New	LCPU
SM750	Scaling instruction search method setting	OFF: Search next ON: 2-part search	Specify a search method for the scaling instruction.	U	New	QnU ^{*2} LCPU
SM772	Bit conversion mode for the CCD and CRC instructions	OFF: 16-bit conversion mode ON: 8-bit conversion mode	Specify the bit conversion mode for the CCD and CRC instructions. Turn off to specify 16-bit conversion mode and turn on to specify 8-bit conversion mode.	U	New	QnUDV ^{*17} QnUDPV ^{*17} LCPU ^{*17}
SM774	PID bumpless processing (for complete derivative)	OFF: Matched ON: Not matched	Specify whether to match the set value (SV) with the process value (PV) or not in manual mode.	U	New	Q00J/Q00/Q01 ^{*11} Qn(H) QnPRH QnU LCPU
SM775	Selection of refresh processing during COM/CCOM instruction execution	OFF: Performs link refresh ON: Performs no link refresh	Select whether link refresh processing will be performed or not when only communication with the CPU module is made at the execution of the COM instruction.	U	New	Q00J/Q00/Q01 Qn(H) QnPH
		OFF: Performs refresh processes other than an I/O refresh ON: Performs refresh set by SD778	Select whether to perform refresh processes other than an I/O refresh set by SD778 when the COM or CCOM instruction is executed.			Q00J/Q00/Q01 ^{*11} Qn(H) ^{*7} QnPH ^{*4} QnPRH QnU LCPU
SM776	Enable/disable local device at CALL	OFF: Local device disabled ON: Local device enabled	Set whether the local device of the subroutine program called at execution of the CALL instruction is valid or invalid.	U	New	Qn(H) QnPH QnPRH QnU ^{*10} LCPU
SM777	Enable/disable local device in interrupt program	OFF: Local device disabled ON: Local device enabled	Set whether the local device at execution of the interrupt program is valid or invalid.	U	New	Qn(H) QnPH QnPRH QnU ^{*10} LCPU
SM794	PID bumpless processing(for incomplete derivative)	OFF: Matched ON: Not matched	Specify whether to match the set value (SV) with the process value (PV) or not in manual mode.	U	New	Q00J/Q00/Q01 ^{*11} Qn(H) ^{*8} QnPRH QnU LCPU
SM796	Block information using the multiple CPU high-speed transmission dedicated instruction (for CPU No.1)	OFF: Block is secured ON: Block set by SD796 cannot be secured	This relay turns on when the number of the remaining blocks in the dedicated instruction transmission area used for the multiple CPU high-speed transmission dedicated instruction (target CPU= CPU No.1) is less than the number of blocks specified in SD796. This relay is on when an instruction is executed, and is off while an END processing is being executed or when free space is available in the area.	S (Instruction execution/Every END processing)	New	QnU ^{*9}

Number	Name	Meaning	Explanation	Set by (When Set)	Corresponding ACPU M9□□□	Corresponding CPU
SM797	Block information using the multiple CPU high-speed transmission dedicated instruction (for CPU No.2)	OFF: Block is secured ON: Block set by SD797 cannot be secured	This relay turns on when the number of the remaining blocks in the dedicated instruction transmission area used for the multiple CPU high-speed transmission dedicated instruction (target CPU= CPU No.2) is less than the number of blocks specified in SD797. This relay is on when an instruction is executed, and is off while an END processing is being executed or when free space is available in the area.	S (Instruction execution/Every END processing)	New	QnU ^{*9}
SM798	Block information using the multiple CPU high-speed transmission dedicated instruction (for CPU No.3)	OFF: Block is secured ON: Block set by SD798 cannot be secured	This relay turns on when the number of the remaining blocks in the dedicated instruction transmission area used for the multiple CPU high-speed transmission dedicated instruction (target CPU= CPU No.3) is less than the number of blocks specified in SD798. This relay is on when an instruction is executed, and is off while an END processing is being executed or when free space is available in the area.	S (Instruction execution/Every END processing)	New	QnU ^{*9}
SM799	Block information using the multiple CPU high-speed transmission dedicated instruction (for CPU No.4)	OFF: Block is secured ON: Block set by SD799 cannot be secured	This relay turns on when the number of the remaining blocks in the dedicated instruction transmission area used for the multiple CPU high-speed transmission dedicated instruction (target CPU= CPU No.) is less than the number of blocks specified in SD799. This relay is on when an instruction is executed, and is off while an END processing is being executed or when free space is available in the area.	S (Instruction execution/Every END processing)	New	QnU ^{*9}

- *1 Modules whose function version B or later
- *2 The following modules support these areas:
 - Universal model QCPU whose serial number (first five digits) is "10102" or later
 - Q00UJCPU, Q00UCPU, Q01UCPU
- *3 The following modules support this area:
 - Universal model QCPU whose serial number (first five digits) is "10102" or later
 - Q00UCPU, Q01UCPU
- *4 Modules whose serial number (first five digits) is "07032" or later
- *5 Modules whose serial number (first five digits) is "06082" or later
- *6 Modules whose serial number (first five digits) is "07012" or later
- *7 Modules whose serial number (first five digits) is "04012" or later
- *8 Modules whose serial number (first five digits) is "05032" or later
- *9 Universal model QCPU except the Q00UJCPU, Q00UCPU, Q01UCPU, and Q02UCPU
- *10 Universal model QCPU except the Q00UJCPU
- *11 Modules whose serial number (first five digits) is "12052" or later
- *12 Modules whose serial number (first five digits) is "14072" or later
- *13 Following modules except the Q00UJCPU, Q00UCPU, Q01UCPU, and Q02UCPU.
 - Modules whose serial number (first five digits) is "14072" or later other than the High-speed Universal model QCPU and Universal model Process CPU
 - High-speed Universal model QCPU and Universal model Process CPU whose serial number (first five digits) is "16043" or later
- *14 Modules whose serial number (first five digits) is "15102" or later
- *15 Modules whose serial number (first five digits) is "16042" or later
- *16 Modules whose serial number (first five digits) is "16043" or later
- *17 Modules whose serial number (first five digits) is "16112" or later



Appendix 2 List of Special Relay Areas

(8) Debugging

Number	Name	Meaning	Explanation	Set by (When Set)	Corresponding ACPU M9□□□	Corresponding CPU
SM800	Trace preparation	OFF: Not ready ON: Ready	Turns on when the trace preparation is completed.	S (Status change)	New	Qn(H) QnPH QnPRH QnU ^{*1} LCPU
SM801	Trace start	OFF: Suspend ON: Start	<ul style="list-style-type: none"> When this relay is turned on while the CPU module is set to RUN, a trace will be started. When this relay is turned off, a trace is stopped. (The related special relays will all turn off) 	S (Status change)/U	M9047	Qn(H) QnPH QnPRH QnU ^{*1} LCPU
SM802	Trace execution in progress	OFF: Suspend ON: Start	This relay is on while a trace is being executed.	S (Status change)	M9046	Qn(H) QnPH QnPRH QnU ^{*1} LCPU
SM803	Trace trigger	OFF → ON: Triggered	<ul style="list-style-type: none"> This relay turns on when the specified trigger condition is met. This relay is turned on to meet the trigger condition. 	S (Status change)/U	New	Qn(H) QnPH QnPRH QnU ^{*1} LCPU
SM804	After trace trigger	OFF: Not after trigger ON: After trigger	Turns on after trace is triggered.	S (Status change)	New	Qn(H) QnPH QnPRH QnU ^{*1} LCPU
SM805	Trace completed	OFF: Not completed ON: Completed	This relay turns on when a trace is completed.	S (Status change)	M9043	Qn(H) QnPH QnPRH QnU ^{*1} LCPU
SM826	Trace error	OFF: Normal ON: Errors	This relay turns on if an error occurs during trace.	S (Status change)	New	Qn(H) QnPH QnPRH QnU ^{*1} LCPU
SM829	Forced registration specification of trace setting	ON: Forced registration enabled OFF: Forced registration disabled	When this relay is turned on and a sampling trace setting is registered using a programming tool, the sampling trace setting can be registered with the CPU module even when the trigger condition has been met.	U	New	QnU ^{*1} LCPU
SM830	Real-time monitor in progress	ON : Being executed OFF : Not executed	Turns on during real-time monitor in progress	S (Status change)	New	LCPU ^{*2}
SM841	Auto logging	OFF: Not executed ON: Being executed	<p>This relay is on while the auto logging is being executed.</p> <p>This relay turns off when auto logging is completed and the SD memory card lock switch is pressed and held for 1 second or longer to stop access to the SD memory card.</p>	S (Status change)	New	QnUDV
			<p>This relay is on while auto logging is being executed.</p> <p>This relay turns off when auto logging is completed and the SD memory card lock switch is slid toward the module top to stop access to the SD memory card.</p>			LCPU

*1 Universal model QCPU except the Q00JCPU

*2 Built-in Ethernet port LCPU whose serial number (first five digits) is "16072" or later

(9) Latch area

Number	Name	Meaning	Explanation	Set by (When Set)	Corresponding ACPU M9□□□	Corresponding CPU
SM916	Backup error check flag	OFF: No error ON: Error	This relay turns on if an error occurs at the execution of backup of the CPU module. This relay turns off at the start of backup.	S (Status change)	New	QnUDV ^{*1} QnUDPV ^{*1}
SM922	Restoration error check flag	OFF: No error ON: Error	This relay turns on if an error occurs at the execution of restoration of the CPU module. This relay turns off at the start of backup.	S (Status change)	New	QnUDV ^{*1} QnUDPV ^{*1}
SM923	Upper limit setting flag for the number of backup data	OFF: Backup continued ON: Backup stopped	This relay specifies the operation of backup when the number of backup data reaches the upper limit. (Valid only when bit5 of SD944 is on) OFF: After deleting the oldest date stamp folder, the backup is continued. ON: The backup is not continued if the upper limit of the number of backup data is exceeded. (In this case, the backup is completed with an error.)	U	New	QnUDV ^{*3} QnUDPV ^{*3}
SM924	Automatic backup retry failure flag	OFF: Retry not executed/Retry being executed ON: Retry failed	This relay turns on when the retry of the automatic backup is failed even after the specified number of retries are attempted, and turns off at the start of the automatic backup. (This relay does not turn off when SM1926 is on.)	S (Status change)	New	QnUDV ^{*3} QnUDPV ^{*3}
SM960	Data logging error check flag	OFF: No error ON: Error	This relay turns on if an error occurs during the execution of data logging. This relay turns off when the data logging is restarted by turning on SM1938 (Data logging restart flag at error stop) or is started or stopped by using the CPU Module Logging Configuration Tool.	S (Error)	New	QnUDV ^{*1} QnUDPV ^{*1} LCPU ^{*2}


*1 Modules whose serial number (first five digits) is "17103" or later

*2 The LCPU, except the L02SCPU and L02SCPU-P, whose serial number (first five digits) is "17102" or later

*3 Modules whose serial number (first five digits) is "18052" or later

(10) Conversion from A series to Q or L series


The special relay (M9000 to M9255) for ACPU corresponds to the special relay (SM1000 to SM1255) for QCPU or LCPU after the A to Q/L conversion. (Note that the Basic model QCPU and Redundant CPU do not support the A to Q/L conversion.) All bits in this area of the special relay are turned on or off by system (cannot be turned on or off by user using a program). To turn on or off the bit by user, correct the program using the special relay for QCPU or LCPU. The special relay (M9084, M9200 to M9255), however, includes the areas that can be turned on or off by user. For those areas, the bit can be turned on or off by user in the converted special relay (SM1084, SM1200 to SM1255) as well. For details on the special relay for ACPU, refer to the following.

 User's manual for the CPU module used

 Type MELSECNET, MELSECNET/B Data Link System Reference Manual

Point

To use the converted special relay in the High Performance model QCPU, Process CPU, Universal model QCPU, or LCPU, check "Use special relay/special register from SM/SD1000" under "A-PLC Compatibility Setting".

 Project window ⇒ [Parameter] ⇒ [PLC Parameter] ⇒ [PLC System]

Note that the processing time will increase when the converted special relay is used.

[How to read the Special Relay for Modification column]

- If the special relay number for QCPU or LCPU is provided, correct the program using it.
- means that the converted special relay can be used.
- means that the special relay cannot be used in QCPU or LCPU.

ACPU Special Relay	Special Relay after Conversion	Special Relay after Modification	Name	Meaning	Details	Corresponding CPU
M9000	SM1000	—	Fuse blown	OFF: Normal ON: Module with blown fuse	<ul style="list-style-type: none"> • This relay turns on if there is at least one output module whose fuse has blown. • This relay remains on even after the system returns to normal. • Output modules on remote I/O stations are also checked. 	Qn(H) QnPH QnU*1 LCPU*4
M9002	SM1002	—	I/O module verify error	OFF: Normal ON: Error	<ul style="list-style-type: none"> • This relay turns on if the status of the I/O module differs from that registered at power-on. • This relay remains on even after the system returns to normal. • I/O modules on remote I/O stations are also checked. • This relay is reset only when SD1116 to SD1123 are reset. 	Qn(H) QnPH QnU*1 LCPU
M9005	SM1005	—	AC DOWN detection	OFF: AC DOWN not detected ON: AC DOWN detected	<ul style="list-style-type: none"> • This relay turns on if a momentary power failure within 20ms occurs during use of an AC power supply module. • This relay is reset when the CPU module is powered off and then on. 	Qn(H) QnPH QnU*1
					<ul style="list-style-type: none"> • This relay turns on if a momentary power failure within 10ms occurs when using an AC power supply module. • This relay is reset when the CPU module is powered off and then on. 	LCPU
					<ul style="list-style-type: none"> • This relay turns on if a momentary power failure within 10ms occurs during use of a DC power supply module. • This relay is reset when the CPU module is powered off and then on. 	Qn(H) QnPH QnU*1 LCPU
M9006	SM1006	—	Battery low	OFF: Normal ON: Battery low	<ul style="list-style-type: none"> • This relay turns on when the battery voltage drops to or below the specified. • It turns off when the battery voltage returns to normal. 	Qn(H) QnPH QnU*1 LCPU
M9007	SM1007	—	Battery low latch	OFF: Normal ON: Battery low	<ul style="list-style-type: none"> • This relay turns on when the battery voltage drops to or below the specified. • This relay remains on even after the battery voltage returns to normal. 	Qn(H) QnPH QnU*1 LCPU
M9008	SM1008	SM1	Self-diagnostic error	OFF: No error ON: Error	This relay turns on if an error is detected by self-diagnostics.	Qn(H) QnPH QnU*1 LCPU
M9009	SM1009	SM62	Annunciator detection	OFF: No F number detected ON: F number detected	<ul style="list-style-type: none"> • This relay turns on when the OUT F or SET F instruction is executed. • It turns off when the SD1124 value is cleared to zero. 	Qn(H) QnPH QnU*1 LCPU
M9011	SM1011	SM56	Operation error flag	OFF: No error ON: Error	<ul style="list-style-type: none"> • This relay turns on when an operation error occurs during execution of an application instruction. • This relay remains on even after the system returns to normal. 	Qn(H) QnPH QnU*1 (except the QnUDPV)
M9012	SM1012	SM700	Carry flag	OFF: Carry OFF ON: Carry ON	Carry flag used in application instruction	Qn(H) QnPH

ACPU Special Relay	Special Relay after Conversion	Special Relay after Modification	Name	Meaning	Details	Corresponding CPU
M9016	SM1016	×	Data memory clear flag	OFF: Ignored ON: Output cleared	When SM1016 turns on and remote RUN mode is activated from a computer, all the data memory including the latch range (except for the special relay and special register) is cleared.	Qn(H) QnPH
M9017	SM1017	×	Data memory clear flag	OFF: Ignored ON: Output cleared	When SM1017 turns on and remote RUN mode is activated from a computer, all the data memory that is not latched (except for the special relay and special register) is cleared.	Qn(H) QnPH
M9020	SM1020	—	User timing clock No.0	<p>n1: On scan interval n2: Off scan interval</p>	<ul style="list-style-type: none"> This relay repeatedly turns on and off at the specified scan intervals. When the CPU module is powered on or reset, this relay is set to on from off to start the clock. Set the intervals of on/off by DUTY instruction. <p>When SM1020 to SM1024 are specified for the DUTY instruction in programs, if the CPU type is changed from the High Performance model QCPU or Process CPU to the Universal model QCPU or LCPU, they are replaced with SM420 to SM424. (For the Universal model QCPU and LCPU, SM1020 to SM1024 cannot be specified.)</p>	Qn(H) QnPH QnU ^{*1} LCPU
M9021	SM1021	—	User timing clock No.1			
M9022	SM1022	—	User timing clock No.2			
M9023	SM1023	—	User timing clock No.3			
M9024	SM1024	—	User timing clock No.4			
M9025	SM1025	—	Clock data set request	OFF: Ignored ON: Set request	Clock data stored in SD1025 to SD1028 are written to the CPU module after the END instruction execution in the scan where SM1025 is turned on.	Qn(H) QnPH QnU ^{*1} LCPU
M9026	SM1026	—	Clock data error	OFF: No error ON: Error	This relay turns on if an error occurs in the clock data (SD1025 to SD1028), and is off while there is no error.	Qn(H) QnPH QnU ^{*1} LCPU
M9028	SM1028	—	Clock data read request	OFF: Ignored ON: Read request	This relay is turned on to read clock data and store them as BCD values into SD1025 to SD1028.	Qn(H) QnPH QnU ^{*1} LCPU
M9029	SM1029	×	Batch processing of data communications requests	OFF: Batch processing not conducted ON: Batch processing conducted	<ul style="list-style-type: none"> When this relay is turned on in the program, all the data communication requests accepted during one scan are processed in the END processing of that scan. The batch processing of data communication requests can be turned on or off during running. The default is OFF (processed one at a time for each END processing in the order in which data communication requests are accepted). 	Qn(H) QnPH

A

ACPU Special Relay	Special Relay after Conversion	Special Relay after Modification	Name	Meaning	Details	Corresponding CPU
M9030	SM1030	—	0.1 second clock		<ul style="list-style-type: none"> • 0.1-, 0.2-, 1-, and 2-second clocks are generated. • The relay turns on or off not for each scan, but also during a scan if the time has elapsed. • This relay does not turn on/off per scan, but turns on/off whenever the specified time interval is reached. • The initial state when the CPU module is powered on or reset is off. 	Qn(H) QnPH QnU*1 LCPU
M9031	SM1031	—	0.2 second clock			
M9032	SM1032	—	1 second clock			
M9033	SM1033	—	2 second clock			
M9034	SM1034	—	2n minute clock(1 minute clock) ²	 	<ul style="list-style-type: none"> • This relay repeatedly turns on and off according to the number of seconds specified in SD414. (Default: n = 30) (If the value of SD414 is changed, the time that has passed after the previous ON/OFF interval of SM1034 is counted as the next interval, and the ON/OFF status is changed at the next interval that is newly specified.) Example: When the value of SD414 is changed from 3 to 10. • This relay does not turn on/off per scan, but turns on/off whenever the specified time interval is reached. • The initial state when the CPU module is powered on or reset is off. 	Qn(H) QnPH QnU*1 LCPU
M9036	SM1036	—	Always ON	ON ————— OFF	<ul style="list-style-type: none"> • This relay is used for initialization or as a dummy contact of application instructions in the program. • SM1036 and SM1037 are turned on or off regardless of the switch setting on the front face of the CPU module. The states of SM1038 and SM1039 change depending on the switch setting. When it is set to STOP, the relay is off. When it is set to other than STOP, SM1038 is on for one scan only and SM1039 is off for one scan only. 	Qn(H) QnPH QnU*1 LCPU
M9037	SM1037	—	Always OFF	ON OFF —————		
M9038	SM1038	—	ON for 1 scan only after RUN	ON ———→ OFF ←—— 1 scan		
M9039	SM1039	—	RUN flag(After RUN, OFF for 1 scan only)	ON ←—— OFF ———→ 1 scan		
M9040	SM1040	SM206	PAUSE enable coil	OFF: PAUSE disabled ON: PAUSE enabled	This relay is on when the CPU module is in PAUSE status or when the PAUSE contact is on.	Qn(H) QnPH
M9041	SM1041	SM204	PAUSE status contact	OFF: PAUSE not in effect ON: PAUSE in effect		Qn(H) QnPH QnU*1 LCPU
M9042	SM1042	SM203	STOP status contact	OFF: STOP not in effect ON: STOP in effect	This relay turns on when the RUN/STOP switch is set to STOP.	Qn(H) QnPH QnU*1 LCPU
M9043	SM1043	SM805	Sampling trace completed	OFF: Sampling trace in progress ON: Sampling trace completed	This relay turns on after execution of the TRACE instruction and upon completion of sampling trace performed the number of times preset by the parameter. Reset when TRACER instruction is executed.	Qn(H) QnPH QnU*1 LCPU

ACPU Special Relay	Special Relay after Conversion	Special Relay after Modification	Name	Meaning	Details	Corresponding CPU
M9045	SM1045	×	Watchdog timer (WDT) reset	OFF: Does not reset WDT ON: Resets WDT	If SM1045 is turned on, the watchdog timer is reset when the ZCOM instruction and batch processing of data communication requests are executed. (Use this when scan time exceeds 200ms.)	Qn(H) QnPH
M9046	SM1046	SM802	Sampling trace	OFF: Trace not in progress ON: Trace in progress	This relay is on during execution of sampling trace.	Qn(H) QnPH QnU ^{*1} LCPU
M9047	SM1047	SM801	Sampling trace preparations	OFF: Sampling trace suspended ON: Sampling trace started	Sampling trace is not executed unless SM1047 is turned ON. Sampling trace is cancelled when SM1047 turns off.	Qn(H) QnPH
M9049	SM1049	SM701	Number of output characters selection	OFF: Output until NULL code encountered ON: 16 characters output	<ul style="list-style-type: none"> When SM1049 is off, characters up to NULL (00_H) code are output. When SM1049 is ON, ASCII codes of 16 characters are output. 	Qn(H) QnPH
M9051	SM1051	×	CHG instruction execution disable	OFF: Enabled ON: Disable	<ul style="list-style-type: none"> Switched ON to disable the CHG instruction. Turn this on when requesting program transfer. It is automatically turned off upon completion of the transfer. 	Qn(H) QnPH
M9052	SM1052	×	SEG instruction switch	OFF: 7-SEG segment display ON: I/O partial refresh	When SM1052 is on, the SEG instruction is used as an I/O part refresh instruction. When SM1052 is off, the SEG instruction is used as a 7-SEG display instruction.	Qn(H) QnPH
M9056	SM1056	×	Main side P, I set request	OFF: Other than when P, I set being requested ON: P, I set being requested	While a program is running, upon completion of transfer of another program (for example, a subprogram when the main program is running), a P and I set request is turned on. This relay automatically turns off upon completion of P and I setting.	Qn(H) QnPH
M9057	SM1057	×	Sub side P, I set request	OFF: Other than when P, I set being requested ON: P, I set being requested		
M9058	SM1058	×	Main side P, I set completion	Momentarily ON at P, I set completion	This relay turns on for a moment upon completion of P and I setting, and immediately turns off.	Qn(H) QnPH
M9059	SM1059	×	Sub program P, I set completion	Momentarily ON at P, I set completion		
M9060	SM1060	×	Sub program 2 P, I set request	OFF: Other than when P, I set being requested ON: P, I set being requested	While a program is running, upon completion of transfer of another program (for example, a subprogram when the main program is running), a P and I set request is turned on. This relay automatically turns off upon completion of P and I setting.	Qn(H) QnPH
M9061	SM1061	×	Sub program 3 P, I set request	OFF: Other than when P, I set being requested ON: P, I set being requested		
M9070	SM1070	×	A8UPU/A8PUJ required search time ^{*3}	OFF: Read time not shortened ON: Read time shortened	When this is turned on, the search time in the A8UPU/A8PUJ can be shortened. (In this case, the scan time is extended by 10%.)	Qn(H) QnPH
M9084	SM1084	×	Error check	OFF: Error check executed ON: No error check	<p>This relay sets whether or not to check the following errors at the time of the END instruction processing (for setting of the END instruction processing time).</p> <ul style="list-style-type: none"> Check for fuse blown Check of battery Collation check of I/O module 	Qn(H) QnPH
M9091	SM1091	×	Operation error details flag	OFF: No error ON: Error	<ul style="list-style-type: none"> This relay turns on when the detail factor of the operation error is stored into SD1091. This relay remains on even after the condition returns to normal. 	Qn(H) QnPH

A

Appendix 2 List of Special Relay Areas

ACPU Special Relay	Special Relay after Conversion	Special Relay after Modification	Name	Meaning	Details	Corresponding CPU
M9100	SM1100	SM320	Presence/absence of SFC program	OFF: SFC program absent ON: SFC program present	This relay is on when an SFC program has been registered, and is off when no program is registered.	Qn(H) QnPH
M9101	SM1101	SM321	Start/stop SFC program	OFF: SFC programs stop ON: SFC programs start	<ul style="list-style-type: none"> The same value as in SM1100 is set as the initial value. (This relay turns on when an SFC program is registered.) This relay is turned off to stop SFC program execution. This relay is turned on to resume the SFC program execution. 	Qn(H) QnPH
M9102	SM1102	SM322	SFC program start status	OFF: Initial start ON: Resume start	In the SFC tab of "PLC parameter", "Initial start" is set for "SFC program start mode". <ul style="list-style-type: none"> At initial start:OFF At resume start:ON 	Qn(H) QnPH
M9103	SM1103	SM323	Presence/absence of continuous transition	OFF: Continuous transition not effective ON: Continuous transition effective	Set whether to enable or disable continuous transition for the blocks where "continuous transition bit" of the SFC information device is not set.	Qn(H) QnPH
M9104	SM1104	SM324	Continuous transition prevention flag	OFF: When transition is executed ON: When no transition	<ul style="list-style-type: none"> This relay is off while the module is in the continuous transition mode or during continuous transition, and is on when continuous transition is not executed. This relay is always on while the CPU module is operating not in the continuous transition mode. 	Qn(H) QnPH
M9108	SM1108	SM90	Step transition monitoring timer start (equivalent of SD90)	OFF: Monitoring timer reset ON: Monitoring timer reset start	The relay turns on when measurement by the step transition monitoring timer is started. The step transition monitoring timer is reset when the relay turns off.	Qn(H) QnPH
M9109	SM1109	SM91	Step transition monitoring timer start (equivalent of SD91)			
M9110	SM1110	SM92	Step transition monitoring timer start (equivalent of SD92)			
M9111	SM1111	SM93	Step transition monitoring timer start (equivalent of SD93)			
M9112	SM1112	SM94	Step transition monitoring timer start (equivalent of SD94)			
M9113	SM1113	SM95	Step transition monitoring timer start (equivalent of SD95)			
M9114	SM1114	SM96	Step transition monitoring timer start (equivalent of SD96)			

ACPU Special Relay	Special Relay after Conversion	Special Relay after Modification	Name	Meaning	Details	Corresponding CPU
M9196	SM1196	SM325	Operation output at block stop	OFF: Coil output OFF ON: Coil output ON	Selects the operation output when block stop is executed. • On: Retains the on or off status of the coil used in the operation output of the step, which was being executed at the time of block stop. • Off: Turns off all the coil outputs. (Operation output by the SET instruction is retained regardless of the on/off status of SM1196.)	Qn(H) QnPH
M9197	SM1197	×	Switch between blown fuse and I/O module verification error display	SM1197	Switches I/O numbers between the fuse-blown module registers (SD1100 to SD1107) and I/O module verify error registers (SD1116 to SD1123) according to the on/off combination of SM1197 and SM1198.	Qn(H) QnPH
M9198	SM1198	×		SM1198		
				I/O numbers to be displayed		
M9199	SM1199	×	Data recovery of online sampling trace/status latch	OFF: Data recovery disabled ON: Data recovery enabled	• Recovers the setting data stored in the CPU module at restart when sampling trace/status latch is executed. • Turn this on to re-execute the sampling trace or status latch. (Rewriting data using the programming tool is not required.)	Qn(H) QnPH

*1 The following modules support these areas:

- Universal model QCPU whose serial number (first five digits) is "10102" or later
- Q00UJCPU, Q00UCPU, Q01UCPU

*2 The name, 1 minute clock, is for the special relay (M9034) of the ACPUCPU.

*3 The QCPU and LCPUCPU do not support the use of the A8UPUCPU/A8PUJ.

*4 Modules whose serial number (first five digits) is "16112" or later

(11) Built-in Ethernet port QCPU, built-in Ethernet port LCPUCPU, and built-in Ethernet function

Number	Name	Meaning	Explanation	Set by (When Set)	Corresponding ACPUCPU M9□□□□	Corresponding CPU
SM1258	MELSOFT connection extended setting network number, station number enable flag	OFF: Disabled ON: Enabled	This relay turns on when the network number and station number of built-in Ethernet port set in the MELSOFT connection extended setting are enabled. (Only when the MELSOFT connection extended setting is set to "Use".)	S (Initial)	New	QnUDV ^{*5} QnUDPV ^{*5}
SM1270	Time setting function (SNTP client) execution	OFF: No time setting function (SNTP client) execution ON: Time setting function (SNTP client) execution	This relay is turned on to perform the time setting function (SNTP client). (Turns on only when "Use" has been set for the time setting function in the time setting parameter.)	U	New	QnU ^{*1} LCPUCPU ^{*1}
SM1273	Remote password mismatch count clear	OFF: Normal ON: Clear	This relay is turned on to clear the accumulated number of mismatched remote password entries (SD979 to SD999).	U	New	QnU ^{*1} LCPUCPU ^{*1}
SM1292	IP address storage area write request	OFF → ON: Write request	The IP address setting stored in SD1292 to SD1297 are written to the IP address storage area (flash ROM) of the CPU module when the END instruction is executed in the scan where this relay is turned on.	U	New	QnU ^{*2} LCPUCPU ^{*3}

A

Number	Name	Meaning	Explanation	Set by (When Set)	Corresponding ACPU M9□□□	Corresponding CPU
SM1293	IP address storage area write completion	OFF: Not completed ON: Completed	<ul style="list-style-type: none"> This relay turns on when writing to the IP address storage area (flash ROM) is completed. This relay turns off when the END instruction is executed in the scan where SM1292 is turned off. 	S (Status change)	New	QnU ^{*2} LCPU ^{*3}
SM1294	IP address storage area write error	OFF: Normal ON: Errors	<ul style="list-style-type: none"> This relay turns on when writing to the IP address storage area (flash ROM) fails. This relay turns off when the END instruction is executed in the scan where SM1292 is turned off. 	S (Status change)	New	QnU ^{*2} LCPU ^{*3}
SM1295	IP address storage area clear request	OFF → ON:Clear request	The IP address storage area (flash ROM) is cleared when the END instruction is executed in the scan where this relay is turned on.	U	New	QnU ^{*2} LCPU ^{*3}
SM1296	IP address storage area clear completion	OFF: Not completed ON: Completed	<ul style="list-style-type: none"> This relay turns on when clearing the IP address storage area (flash ROM) is completed. This relay turns off when the END instruction is executed in the scan where SM1295 is turned off. 	S (Status change)	New	QnU ^{*2} LCPU ^{*3}
SM1297	IP address storage area clear error	OFF: Normal ON: Errors	<ul style="list-style-type: none"> This relay turns on when clearing the IP address storage area (flash ROM) fails. This relay turns off when the END instruction is executed in the scan where SM1295 is turned off. 	S (Status change)	New	QnU ^{*2} LCPU ^{*3}
SM1298	FTP client connection status	OFF: Not connected (Disconnected) ON: Connected	This relay turns on when the connection with the FTP server is established. This relay turns off when the connection with the FTP server is cut off.	S (Status change, END processing)	New	LCPU ^{*4}

*1 Built-in Ethernet port QCPU and Built-in Ethernet port LCPU

*2 Built-in Ethernet port QCPU whose serial number (first five digits) is "11082" or later

*3 Built-in Ethernet port LCPU whose serial number (first five digits) is "15102" or later

*4 Built-in Ethernet port LCPU whose serial number (first five digits) is "16112" or later

*5 Modules whose serial number (first five digits) is "17052" or later

(12)Predefined protocol function

Number	Name	Meaning	Explanation	Set by (When Set)	Corresponding ACPU M9□□□	Corresponding CPU
SM1332	Predefined protocol ready (for built-in/adapter serial communications)	OFF: Not ready ON: Ready	The protocol setting file is checked when the CPU module is powered on or reset, or the check is requested. This relay turns on when the file is normal.	S (Status change)	New	LCPU ^{*1}
SM1333	Predefined protocol setting check request (for built-in/adapter serial communications)	OFF: Not requested ON: Requested	The protocol setting file is checked when this relay turns on. The relay turns off when the check is completed.	S (Status change)/U	New	LCPU ^{*1}
SM1334	RS-422/485 echo back specification (for built-in/adapter serial communications)	OFF: Enabled ON: Disabled	When the RS-422/485 adapter is used, whether to receive an echo back of the data that has been sent can be specified. Echo back data are received when this relay is off, and are not received (discarded) when this relay is on.	U	New	LCPU ^{*1}
SM1354	Predefined protocol ready (for built-in Ethernet communications)	OFF: Not ready ON: Ready	The protocol setting file is checked when the CPU module is powered on or reset, or the check is requested. This relay turns on when the file is normal.	S (Status change)	New	QnUDV ^{*2} QnUDPV ^{*2} LCPU ^{*1}
SM1355	Predefined protocol setting check request (for built-in Ethernet communications)	OFF: Not requested ON: Requested	The protocol setting file is checked when this relay turns on. The relay turns off when the check is completed.	S (Status change)/U	New	QnUDV ^{*2} QnUDPV ^{*2} LCPU ^{*1}

*1 Built-in Ethernet port LCPU whose serial number (first five digits) is "15102" or later

*2 Modules whose serial number (first five digits) is "15103" or later

A

(13)iQ Sensor Solution

Number	Name	Meaning	Explanation	Set by (When Set)	Corresponding ACPU M9□□□	Corresponding CPU
SM1435	iQ Sensor Solution backup/restoration execution enable	OFF → ON:Enabled	Backup/restoration is enabled when this relay turns on. (Enabled only when SD1446 = 3 _H (completed), 11 _H (suspend (no error)), FE _H (suspend (error)), FF _H (error)). • This relay turns off when backup/restoration can be executed.	S (Status change)/U	New	QnUDV ^{*1} QnUDPV ^{*1} LCPU ^{*2}
SM1436	iQ Sensor Solution backup request	OFF → ON:Backup request	Backup is executed for the target model set when this relay turns on. (Enabled only when SD1446 = 1 _H (in preparation)) • This relay turns off when the use authority is reserved or when backup/restoration can be executed.	S (Status change)/U	New	QnUDV ^{*1} QnUDPV ^{*1} LCPU ^{*2}
SM1437	iQ Sensor Solution backup normal completion	OFF: Backup not completed ON: Backup normally completed	This relay turns on when backup is completed normally. • This relay turns off when the use authority is reserved.	S (Status change)	New	QnUDV ^{*1} QnUDPV ^{*1} LCPU ^{*2}
SM1438	iQ Sensor Solution backup error completion	OFF: Backup not completed ON: Backup completed with an error	This relay turns on when backup is completed with an error. • This relay turns off when the use authority is reserved. The error code is stored into SD1452 or SD1453.	S (Status change)	New	QnUDV ^{*1} QnUDPV ^{*1} LCPU ^{*2}
SM1439	iQ Sensor Solution restoration request	OFF → ON:Restoration request	Restoration is executed for the target model set when this relay turns on. (Enabled only when SD1446 = 1 _H (in preparation)) • This relay turns off when the use authority is reserved.	S (Status change)/U	New	QnUDV ^{*1} QnUDPV ^{*1} LCPU ^{*2}
SM1440	iQ Sensor Solution restoration normal completion	OFF: Restoration not completed ON: Restoration normally completed	This relay turns on when restoration is completed normally. • This relay turns off when the use authority is reserved.	S (Status change)	New	QnUDV ^{*1} QnUDPV ^{*1} LCPU ^{*2}
SM1441	iQ Sensor Solution restoration error completion	OFF: Restoration not completed ON: Restoration completed with an error	This relay turns on when restoration is completed with an error. • This relay turns off when the use authority is reserved. The error code is stored into SD1452 or SD1453.	S (Status change)	New	QnUDV ^{*1} QnUDPV ^{*1} LCPU ^{*2}
SM1442	iQ Sensor Solution backup/restoration suspend request	OFF → ON: Backup/Restoration suspend request	Backup/restoration is suspended when this relay turns on. (Enabled only for SD1446=2 _H (execution)) • This relay turns off when the use authority is reserved or when backup/restoration can be executed.	S (Status change)	New	QnUDV ^{*1} QnUDPV ^{*1} LCPU ^{*2}
SM1445	Bridge area extension support status flag (iQ Sensor Solution backup/restoration)	OFF: Not supported ON: Supported	This flag indicates whether or not the CPU module used supports the bridge area extension for the iQ Sensor Solution backup/restoration.	S (Initial)	New	QnUDV ^{*3} QnUDPV ^{*3}

*1 Modules whose serial number (first five digits) is "17012" or later

*2 Built-in Ethernet port LCPUs whose serial number (first five digits) is "14112" or later

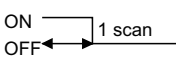
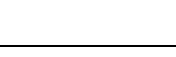
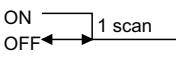

*3 Modules whose serial number (first five digits) is "20042" or later

(14)Process control instruction

Number	Name	Meaning	Explanation	Set by (When Set)	Corresponding ACPU M9□□□	Corresponding CPU
SM1500	Hold mode	OFF: No-hold ON: Hold	Specifies whether or not to hold the output value when a range over occurs for the S.IN instruction range check.	U	New	QnPH QnPRH QnUDPV
SM1501			Specifies whether or not the output value is held when a range over occurs for the S.OUT instruction range check.			

(15)Redundant system (host system CPU information *1)

The special relay (SM1510 to SM1599) is valid only for redundant systems. All bits are set to off for stand-alone systems.

Number	Name	Meaning	Explanation	Set by (When Set)	Corresponding ACPU M9□□□	Corresponding CPU											
SM1510	Operation mode	OFF: Redundant system backup mode, stand-alone system ON: Redundant system separate mode	This relay is on while the system is operating in the separate mode.	S (Every END processing)	New	QnPRH											
SM1511	System A identification flag	<ul style="list-style-type: none"> Distinguishes between system A and system B. The flag status does not change even if the tracking cable is disconnected. <table border="1"> <tr> <td></td> <td>System A</td> <td>System B</td> <td>If TRK. CABLE ERR. (error code: 6210) occurred (Unknown)</td> </tr> <tr> <td>SM1511</td> <td>ON</td> <td>OFF</td> <td>OFF</td> </tr> <tr> <td>SM1512</td> <td>OFF</td> <td>ON</td> <td>OFF</td> </tr> </table>		System A	System B	If TRK. CABLE ERR. (error code: 6210) occurred (Unknown)	SM1511	ON	OFF	OFF	SM1512	OFF	ON	OFF	S (Initial)	New	QnPRH
	System A		System B	If TRK. CABLE ERR. (error code: 6210) occurred (Unknown)													
SM1511	ON	OFF	OFF														
SM1512	OFF	ON	OFF														
SM1512	System B identification flag																
SM1513	Debug mode status flag	OFF: Not in debug mode ON: Debug mode	This relay is on while the system is operating in the debug mode.	S (Initial)	New	QnPRH											
SM1515	Control system judgment flag	<ul style="list-style-type: none"> Indicates operation system status. The flag status does not change even if the tracking cable is disconnected. <table border="1"> <tr> <td></td> <td>Control system</td> <td>Standby system</td> <td>If TRK. CABLE ERR. (error code: 6210) occurred (Unknown)</td> </tr> <tr> <td>SM1515</td> <td>ON</td> <td>OFF</td> <td>OFF</td> </tr> <tr> <td>SM1516</td> <td>OFF</td> <td>ON</td> <td>OFF</td> </tr> </table>		Control system	Standby system	If TRK. CABLE ERR. (error code: 6210) occurred (Unknown)	SM1515	ON	OFF	OFF	SM1516	OFF	ON	OFF	S (Status change)	New	QnPRH
	Control system		Standby system	If TRK. CABLE ERR. (error code: 6210) occurred (Unknown)													
SM1515	ON	OFF	OFF														
SM1516	OFF	ON	OFF														
SM1516	Standby system judgment flag																
SM1517	CPU module startup status	OFF: Power supply on startup ON: Operation system switch start up	Turns on when the CPU module is started up by the system switching (switching from the standby system to the control system). Remains OFF when the standby system is switched to the control system by a power-ON startup.	S (Status change)	New	QnPRH											
SM1518	Standby system to control system switching status flag	ON  OFF 	<ul style="list-style-type: none"> This relay turns on during one scan after the standby system was switched to the control system. This relay can be used only in a scan execution type program. 	S (Every END processing)	New	QnPRH											
SM1519	Previous Control System Identification Flag	ON  OFF 	When the previous control system is System B, this relay turns on during one scan in System A, following the RUN state after both Systems A and B were simultaneously turned on or were reset.	S (Every END processing)	New	QnPRH											

A

Appendix 2 List of Special Relay Areas

Number	Name	Meaning	Explanation		Set by (When Set)	Corresponding ACPU M9□□□	Corresponding CPU
SM1520	Data tracking transfer trigger specification	OFF: No trigger ON: Trigger	SM1520	Block 1	<ul style="list-style-type: none"> When data is transferred based on the tracking setting of the Redundant parameter window, the target block is specified as trigger. When "Do auto forward Tracking block No.1" is selected for the tracking setting, SM1520 is turned on by the system at power-on or when the system is switched from STOP to RUN. In other cases, SM1520 to SM1583 are turned on by the user. 	New	QnPRH
SM1521			Block 2				
SM1522			Block 3				
SM1523			Block 4				
SM1524			Block 5				
SM1525			Block 6				
SM1526			Block 7				
SM1527			Block 8				
SM1528			Block 9				
SM1529			Block 10				
SM1530			Block 11				
SM1531			Block 12				
SM1532			Block 13				
SM1533			Block 14				
SM1534			Block 15				
SM1535			Block 16				
SM1536			Block 17				
SM1537			Block 18				
SM1538			Block 19				
SM1539			Block 20				
SM1540			Block 21				
SM1541			Block 22				
SM1542			Block 23				
SM1543			Block 24				
SM1544			Block 25				
SM1545			Block 26				
SM1546			Block 27				
SM1547			Block 28				
SM1548			Block 29				
SM1549			Block 30				
SM1550			Block 31				
SM1551			Block 32				
SM1552			Block 33				
SM1553			Block 34				
SM1554			Block 35				
SM1555			Block 36				
SM1556			Block 37				
SM1557	Block 38						
SM1558	Block 39						
SM1559	Block 40						
SM1560	Block 41						
SM1561	Block 42						
SM1562	Block 43						
SM1563	Block 44						
SM1564	Block 45						

Number	Name	Meaning	Explanation	Set by (When Set)	Corresponding ACPU M9□□□	Corresponding CPU		
SM1565	Data tracking transfer trigger specification	OFF: No trigger ON: Trigger	SM1565	Block 46	<ul style="list-style-type: none"> When data is transferred based on the tracking setting of the Redundant parameter window, the target block is specified as trigger. When "Do auto forward Tracking block No.1" is selected for the tracking setting, SM1520 is turned on by the system at power-on or when the system is switched from STOP to RUN. In other cases, SM1520 to SM1583 are turned on by the user. 	S (Initial)/U	New	QnPRH
SM1566			Block 47					
SM1567			Block 48					
SM1568			Block 49					
SM1569			Block 50					
SM1570			Block 51					
SM1571			Block 52					
SM1572			Block 53					
SM1573			Block 54					
SM1574			Block 55					
SM1575			Block 56					
SM1576			Block 57					
SM1577			Block 58					
SM1578			Block 59					
SM1579			Block 60					
SM1580			Block 61					
SM1581			Block 62					
SM1582			Block 63					
SM1583	Block 64							
SM1590	System switching enable/disable flag from network module	OFF: System switching request issuing module absent ON: System switching request issuing module present	Turns on when a system switching request is issued from the network module. The module that issued the request can be checked in SD1590. Turns off when all bits of SD1590 are off.		S (Every END processing)	New	QnPRH	
SM1591	Standby system error detection disable flag at system switching	ON: Error is not detected by new standby system at system switching OFF: Error is detected by new standby system at system switching	This flag is used when switching the system in any of the following sources to determine whether to detect "STANDBY" (error code 6210) in the new standby system: [Reason(s) for system switching] <ul style="list-style-type: none"> System switching with a programming tool System switching using dedicated instruction System switching by the intelligent function module 		U	New	QnPRH	
SM1592	Enable/disable user system switching	OFF: Disable user system switching ON: Enable user system switching	This relay stores whether to enable manual switching using a programming tool or the system switching instruction (SP.CONTSW).		U	New	QnPRH	
SM1593	Setting to access extension base unit of standby system CPU	OFF: Error ON: Ignored	This relay sets the behavior of the system after the standby CPU in the separate mode accessed the buffer memory of an intelligent function module mounted on an extension base unit. <ul style="list-style-type: none"> OFF: "OPERATION ERROR" (error code: 4112) is returned. ON: No processing 		U	New	QnPRH	
SM1595	Memory copy to other system start flag	OFF: Start memory copy ON: No memory copy initiated	When SM1595 is turned on from off, memory copying from the control system to the standby system starts. Note that memory copy does not start even after SM1595 was turned on from off if the I/O No. of the copy destination (standby system CPU module: 3D1 _H) is not stored in SD1595.		U	New	QnPRH	



Appendix 2 List of Special Relay Areas

Number	Name	Meaning	Explanation	Set by (When Set)	Corresponding ACPU M9□□□	Corresponding CPU
SM1596	Memory copy to other system status flag	OFF: Memory copy not executed ON: Memory copy executed	<ul style="list-style-type: none"> This relay is on during memory copy from the control system to the standby system. This relay turns off when memory copy is complete. 	S (Starting to copy/finish)	New	QnPRH
SM1597	Memory copy to other system completion flag	OFF: Memory copy not completed ON: Memory copy completed	<ul style="list-style-type: none"> This relay turns upon completion of memory copy from the control system to the standby system. 	S (finish)/U	New	QnPRH
SM1598	Copy contents of standard ROM during memory copy	OFF: Copy standard ROM data ON: Standard ROM data is not copied	<ul style="list-style-type: none"> If set to on by user, the standard ROM data is not copied to the other system while memory copy is executing. 	U	New	QnPRH

*1 The information of the host CPU module is stored.

(16)Redundant system (other system CPU information*1)

The special relay (SM1600 to SM1649) is valid when the redundant system is in backup mode and is invalid in separate mode. All bits are set to off for stand-alone systems.

Number	Name	Meaning	Explanation	Set by (When Set)	Corresponding Host SM□□*2	Corresponding CPU
SM1600	Other system error flag	OFF: No error ON: Error	<ul style="list-style-type: none"> This relay turns on if an error is detected by error check for redundant system. (This relay turns on when any of the SD1600 bits turns on.) This relay turns off when an error is cleared. 	S (Every END processing)	—	QnPRH
SM1610	Other system diagnostics error	OFF: No error ON: Error	<ul style="list-style-type: none"> This relay turns on if a diagnostic error occurs in the CPU module in the other system. (Also turns off when an annunciator turns on and when an error is detected by the CHK instruction.) The SM0 status for the CPU module in the other system is reflected. 	S (Every END processing)	SM0	QnPRH
SM1611	Other systems self-diagnostics error	OFF: No error ON: Error	<ul style="list-style-type: none"> This relay turns on if a self-diagnostics error occurred in the CPU module in the other system. (Excluding error detection by an annunciator and the CHK instruction.) The SM1 status for the CPU module in the other system is reflected. 	S (Every END processing)	SM1	QnPRH
SM1615	Other system common error information	OFF: No common error information present ON: Common error information present	<ul style="list-style-type: none"> This relay turns on when there is error common information data for an error occurred in the CPU module in the other system. The SM5 status for the CPU module in the other system is reflected. 	S (Every END processing)	SM5	QnPRH
SM1626	Error individual information for other systems	OFF: No individual error information present ON: Individual error information present	<ul style="list-style-type: none"> This relay turns on when there is error individual information for an error occurred in the CPU module in the other system. The SM16 status for the CPU module in the other system is reflected. 	S (Every END processing)	SM16	QnPRH
SM1649	Standby system cancel error flag	OFF → ON: Cancels error of standby system	This relay is turned on from off to clear a continuation error occurred in the standby system. Use SD1649 to specify the error code of the error to be canceled.	U	—	QnPRH

*1 Diagnostic information of the CPU module in the other system is stored.

*2 Special relay areas (SM□□) for the CPU module in the host system

(17)E-mail send/receive function

Number	Name	Meaning	Explanation	Set by (When Set)	Corresponding ACPU M9□□□	Corresponding CPU
SM1659	MC protocol command being processed flag	OFF: Not being processed ON: Being processed	<ul style="list-style-type: none"> This relay turns on while the MC protocol command is being processed. If the received mail is an MC protocol command mail, the relay turns off during the END processing of the scan where the command is processed and the return mail is sent. 	S (Status change)	New	LCPU*1
SM1660	MC protocol command error flag	Turns on when an MC protocol command error is detected.	<ul style="list-style-type: none"> This relay turns on when an MC protocol command error is detected. The relay also turns on when execution of MC protocol command is disabled in parameter. The relay turns off upon execution of the e-mail receive instruction. 	S (Error)	New	LCPU*1
SM1661	E-mail address backup processing flag	OFF: Not executed ON: Being executed	<ul style="list-style-type: none"> This relay turns on when the e-mail address backup processing starts. The relay turns off during the END processing of the scan where the processing completes. 	S (Status change)	New	LCPU*1
SM1662	Incoming mail check flag	OFF: No incoming mail ON: Mail arrived	<ul style="list-style-type: none"> This relay turns on when there is incoming mail on the server when checked. The relay turns off during the END processing of the scan where the e-mail receive instruction processing completes. 	S (Status change)	New	LCPU*1

*1 Built-in Ethernet port LCPU whose serial number (first five digits) is "16112" or later

(18)Redundant system (tracking information)

The special relay (SM1700 to SM1799) is valid when the redundant system is in backup mode or in separate mode. All bits are set to off for stand-alone systems.

Number	Name	Meaning	Explanation	Set by (When Set)	Corresponding ACPU M9□□□	Corresponding CPU
SM1700	Transfer trigger completion flag	OFF: Transfer uncompleted ON: Transfer completed	This relay remains on for one scan upon completion of a transfer for any of the blocks 1 to 64.	S (Status change)	New	QnPRH
SM1709	Manual system switching disable/enable setting during online program change redundant tracking	ON: Manual system switching enabled (Disable canceled) OFF: Manual system switching disabled	<p>(1) This relay is turned from off to on to enable the user to switch a system during online program change for redundancy. After the manual system switching disable status is canceled, the system automatically turns off SM1709.</p> <p>(2) A system can be switched even the online program change for redundancy is being performed and regardless of the status of this relay, if the reason for the switching is any of the following:</p> <ul style="list-style-type: none"> Power-off Reset Hardware failure CPU stop error <p>(3) The system switching disable status can also be canceled by this relay during the following states.</p> <ul style="list-style-type: none"> Multiple-block online program change redundant tracking execution status File batch online program change redundant tracking execution status 	S (Request)/U	New	QnPRH

A

Number	Name	Meaning	Explanation	Set by (When Set)	Corresponding ACPU M9□□□	Corresponding CPU		
SM1710	Transfer tracking data during online program change enable flag	OFF: No device tracking ON: Transfer device memory	<p>(1) This relay specifies whether to execute a tracking transfer for the following control data during online program change for redundancy.</p> <ul style="list-style-type: none"> • Device memory (Including SMs and SDs that automatically execute a tracking transfer) • PIDINIT information, S.PIDINIT information, SFC information <p>(2) SM1710 can be also used to specify whether to enable a tracking transfer whole multiple-block online program change redundant tracking and while file batch online program change redundant tracking.</p> <p>(3) SM1710 is transferred from the control system to the standby system by tracking transfer.</p>	U	New	QnPRH		
SM1712	Transfer trigger completion flag	OFF: Transfer uncompleted ON: Transfer completed	SM1712	Block 1	This relay turns on only during one scan upon completion of a transfer for the relevant block.	S (Status change)	New	QnPRH
SM1713			SM1713	Block 2				
SM1714			SM1714	Block 3				
SM1715			SM1715	Block 4				
SM1716			SM1716	Block 5				
SM1717			SM1717	Block 6				
SM1718			SM1718	Block 7				
SM1719			SM1719	Block 8				
SM1720			SM1720	Block 9				
SM1721			SM1721	Block 10				
SM1722			SM1722	Block 11				
SM1723			SM1723	Block 12				
SM1724			SM1724	Block 13				
SM1725			SM1725	Block 14				
SM1726			SM1726	Block 15				
SM1727			SM1727	Block 16				
SM1728			SM1728	Block 17				
SM1729			SM1729	Block 18				

Number	Name	Meaning	Explanation		Set by (When Set)	Corresponding ACPU M9□□□	Corresponding CPU	
SM1730	Transfer trigger completion flag	OFF: Transfer uncompleted ON: Transfer completed	SM1730	Block 19	This relay turns on only during one scan upon completion of a transfer for the relevant block.	S (Status change)	New	QnPRH
SM1731			SM1731	Block 20				
SM1732			SM1732	Block 21				
SM1733			SM1733	Block 22				
SM1734			SM1734	Block 23				
SM1735			SM1735	Block 24				
SM1736			SM1736	Block 25				
SM1737			SM1737	Block 26				
SM1738			SM1738	Block 27				
SM1739			SM1739	Block 28				
SM1740			SM1740	Block 29				
SM1741			SM1741	Block 30				
SM1742			SM1742	Block 31				
SM1743			SM1743	Block 32				
SM1744			SM1744	Block 33				
SM1745			SM1745	Block 34				
SM1746			SM1746	Block 35				
SM1747			SM1747	Block 36				
SM1748			SM1748	Block 37				
SM1749			SM1749	Block 38				
SM1750			SM1750	Block 39				
SM1751			SM1751	Block 40				
SM1752			SM1752	Block 41				
SM1753			SM1753	Block 42				
SM1754			SM1754	Block 43				
SM1755			SM1755	Block 44				
SM1756			SM1756	Block 45				
SM1757			SM1757	Block 46				
SM1758			SM1758	Block 47				
SM1759			SM1759	Block 48				
SM1760			SM1760	Block 49				
SM1761			SM1761	Block 50				
SM1762			SM1762	Block 51				
SM1763			SM1763	Block 52				
SM1764			SM1764	Block 53				
SM1765			SM1765	Block 54				
SM1766			SM1766	Block 55				
SM1767			SM1767	Block 56				
SM1768			SM1768	Block 57				
SM1769			SM1769	Block 58				
SM1770			SM1770	Block 59				
SM1771			SM1771	Block 60				
SM1772			SM1772	Block 61				
SM1773			SM1773	Block 62				
SM1774	SM1774	Block 63						
SM1775	SM1775	Block 64						



Appendix 2 List of Special Relay Areas

(19) Redundant power supply module information

Number	Name	Meaning	Explanation	Set by (When Set)	Corresponding ACPU M9□□□	Corresponding CPU
SM1780	Power supply off detection flag	OFF: No redundant power supply module with input power OFF detected ON: Redundant power supply module with input power OFF detected	<ul style="list-style-type: none"> • Turns on when one or more redundant power supply modules with input power off are detected. • Turns on if any of SD1780 bits is on. • Turns off if all bits of SD1780 are off. • This relay turns off when the main base unit is not the redundant main base unit (Q38RB). • When the multiple CPU system is configured, the flags are stored only to the CPU No.1. 	S (Every END processing)	New	Qn(H) ^{*3} QnPH ^{*3} QnPRH QnU ^{*4}
SM1781	Power supply failure detection flag	OFF: No faulty redundant power supply module detected ON: Faulty redundant power supply module detected	<ul style="list-style-type: none"> • Turns on when one or more faulty redundant power supply modules are detected. • Turns on if any of SD1781 bits is on. • Turns off if all bits of SD1781 are off. • This relay turns off when the main base unit is not the redundant main base unit (Q38RB). • When the multiple CPU system is configured, the flags are stored only to the CPU No.1. 	S (Every END processing)	New	Qn(H) ^{*3} QnPH ^{*3} QnPRH QnU ^{*4}
SM1782	Momentary power failure detection flag for power supply 1 ^{*1}	OFF: No momentary power failure detected ON: Momentary power failure detected	<ul style="list-style-type: none"> • Turns on when a momentary power failure of the input power supply to the power supply 1 or 2 is detected one or more times. After turning on, this relay remains on even if the power supply recovers from the momentary power failure. • Turns off the flags (SM1782 and SM1783) of the power supply 1 and 2 when the CPU module starts. • When the input power to one of the redundant power supply modules turns off, the corresponding flag turns off. • This relay turns off when the main base unit is not the redundant main base unit (Q38RB). • When the multiple CPU system is configured, the flags are stored only to the CPU No.1. 	S (Every END processing)	New	Qn(H) ^{*3} QnPH ^{*3} QnPRH QnU ^{*4}
SM1783	Momentary power failure detection flag for power supply 2 ^{*2}					

*1 The "power supply 1" indicates the redundant power supply module mounted on the POWER 1 slot of the redundant base unit (Q38RB/Q68RB/Q65WRB).

*2 The "power supply 2" indicates the redundant power supply module mounted on the POWER 2 slot of the redundant base unit (Q38RB/68RB/Q65WRB).

*3 Modules whose serial number (first five digits) is "07032" or later
In a multiple CPU system, the serial number (first five digits) of all the CPU modules must be "07032" or later.

*4 Modules whose serial number (first five digits) is "10042" or later

(20)CC-Link IE Field Network Basic function

Number	Name	Meaning	Explanation	Set by (When Set)	Corresponding ACPU M9□□□	Corresponding CPU
SM1700	Cyclic transmission status	Off: Not performed On: Being performed	<ul style="list-style-type: none"> This relay turns on when the cyclic transmission starts. This relay turns off when the cyclic transmission stops. 	S (Every END processing)	New	QnUDV* ¹ QnUDPV* ¹ LCPU* ²
SM1704	Data link status	Off: All stations normal On: One or more faulty stations	<ul style="list-style-type: none"> This relay turns on when an error exists even in one slave station. The status of each slave station can be checked in SD1540. 	S (Every END processing)	New	QnUDV* ¹ QnUDPV* ¹ LCPU* ²
SM1718	Reserved station specification status	Off: Not specified On: Specified	<ul style="list-style-type: none"> This relay turns on when even one slave station is specified as a reserved station in parameter. The station number that is specified as a reserved station can be checked in SD1718. 	S (Initial)	New	QnUDV* ¹ QnUDPV* ¹ LCPU* ²
SM1741	Diagnostic information display request	Off→On:Request issued On→Off:Completed	<ul style="list-style-type: none"> After the END instruction of the scan where the relay turns on, the diagnostic information of the slave station specified in SD1741 is read to SD1742 to SD1773. This relay turns off when reading of the diagnostic information has completed at END processing. 	U/S (During END processing)	New	QnUDV* ¹ QnUDPV* ¹ LCPU* ²

*1 Modules whose serial number (first five digits) is "18112" or later

*2 Built-in Ethernet port LCPU whose serial number (first five digits) is "18112" or later

(21)Built-in I/O function

Number	Name	Meaning	Explanation	Set by (When Set)	Corresponding ACPU M9□□□	Corresponding CPU
SM1840	Axis 1 busy	OFF: Not busy ON: Busy	<ul style="list-style-type: none"> This relay turns on when positioning control, OPR control, JOG operation, or absolute position restoration is started. This relay turns off when each control is completed. In positioning control, this relay turns off when the axis 1 decelerates and stops, and then "dwell time" elapsed. (This relay remains on while positioning control is being performed.) This relay turns off when each control is ended due to such as an error or stop operation. 	S (Every END processing)	New	LCPU
SM1841	Axis 1 positioning completion	OFF: Not completed ON: Completed	<ul style="list-style-type: none"> This relay turns on when OPR control, position control, or absolute position restoration is completed. This relay turns off when OPR control, positioning control, absolute position restoration, or JOG operation is started. This relay remains off when JOG operation is completed. This relay remains off when position control is stopped. 	S (Instruction execution/Status change)	New	LCPU
SM1842	Axis 1 OPR request	OFF: Machine OPR control completed ON: Machine OPR control started	<ul style="list-style-type: none"> This relay turns on when the CPU module is powered on, is reset, or is set from STOP to RUN; or the drive unit ready signal turns off; or machine OPR control is started. This relay turns off when machine OPR control is completed. 	S (Every END processing)	New	LCPU

A

Appendix 2 List of Special Relay Areas

Number	Name	Meaning	Explanation	Set by (When Set)	Corresponding ACPU M9□□□	Corresponding CPU
SM1843	Axis 1 OPR completion	OFF: Not completed ON: Completed	<ul style="list-style-type: none"> This relay turns on when machine OPR control is completed. This relay turns off when OPR control, positioning control, absolute position restoration, or JOG operation is started; or the CPU module is set from STOP to RUN; or the drive unit ready signal turns off. 	S (Instruction execution/Status change)	New	LCPU
SM1844	Axis 1 speed 0	OFF: Operating at speed other than 0 ON: Operating at speed 0	<ul style="list-style-type: none"> This relay turns on when JOG operation or speed control in speed/position switching control set at a speed of "0" is started. This relay turns on when speed is changed with a new speed value of "0", and turns off when speed is changed with a new speed value other than "0". This relay turns off when SM1840 turns off. 	S (Every END processing)	New	LCPU
SM1845	Axis 1 error	OFF: No error ON: Error	<ul style="list-style-type: none"> This relay turns on if an error occurs. The present error can be checked by SD1845. This relay is turned off by turning on SM1850. 	S (Every END processing)	New	LCPU
SM1846	Axis 1 warning	OFF: No warning ON: Warning	<ul style="list-style-type: none"> This relay turns on if a warning occurs. The present warning can be checked by SD1846. This relay is turned off by turning on SM1850. 	S (Every END processing)	New	LCPU
SM1847	Axis 1 start in busy status	OFF: No start attempted in busy status ON: Start attempted in busy status	<ul style="list-style-type: none"> This relay turns on when positioning control, OPR control, JOG operation, or absolute position restoration is attempted while the axis 1 is in the busy status. The executed start instruction will be ignored. This relay is reset by the user. 	S (Instruction execution)/U	New	LCPU
SM1848	Axis 1 start instruction	OFF: Not executed ON: Being executed	<ul style="list-style-type: none"> This relay turns on when positioning control by the start instruction (IPPSTRT1(P), IPDSTRT1(P), IPSIMUL(P), IPABRST1), JOG operation by the JOG start instruction (IPJOG1), or OPR control by the OPR start instruction (IOPR1(P)) is started. This relay turns off when positioning control, OPR control, or JOG operation is completed. 	S (Instruction execution/Status change)	New	LCPU
SM1850	Axis 1 error reset	OFF → ON: Resets the Axis 1 error. OFF: Clears the reset status.	<ul style="list-style-type: none"> Turning on this relay will turn off SM1845 and SM1846 and will clear the SD1845 and SD1846 values to "0". Even if this relay is turned on, SM1845 will not turn off and the SD1845 value will not be cleared to "0" until SM1840 turns off. 	U	New	LCPU
SM1851	Axis 1 OPR request off	OFF → ON: Axis 1 OPR request OFF: Cleared	Turning on this relay will forcibly turn off SM1842.	U	New	LCPU
SM1852	Axis 1 speed/position switching	OFF: Disabled ON: Enabled	This relay stores whether to enable switching from speed control to position control in speed/position switching control.	U	New	LCPU

Number	Name	Meaning	Explanation	Set by (When Set)	Corresponding ACPU M9□□□	Corresponding CPU
SM1860	Axis 2 busy	OFF: Not busy ON: Busy	<ul style="list-style-type: none"> This relay turns on when positioning control, OPR control, JOG operation, or absolute position restoration is started. This relay turns off when each control is completed. In positioning control, this relay turns off when the axis 1 decelerates and stops, and then "dwell time" elapsed. (This relay remains on while positioning control is being performed.) This relay turns off when each control is ended due to such as an error or stop operation. 	S (Every END processing)	New	LCPU
SM1861	Axis 2 positioning completion	OFF: Not completed ON: Completed	<ul style="list-style-type: none"> This relay turns on when OPR control, position control, or absolute position restoration is completed. This relay turns off when OPR control, positioning control, absolute position restoration, or JOG operation is started. This relay remains off when JOG operation is completed. This relay remains off when position control is stopped. 	S (Instruction execution/Status change)	New	LCPU
SM1862	Axis 2 OPR request	OFF: Machine OPR control completed ON: Machine OPR control started	<ul style="list-style-type: none"> This relay turns on when the CPU module is powered on, is reset, or is set from STOP to RUN; or the drive unit ready signal turns off; or machine OPR control is started. This relay turns off when machine OPR control is completed. 	S (Every END processing)	New	LCPU
SM1863	Axis 2 OPR completion	OFF: Not completed ON: Completed	<ul style="list-style-type: none"> This relay turns on when machine OPR control is completed. This relay turns off when OPR control, positioning control, absolute position restoration, or JOG operation is started; or the CPU module is set from STOP to RUN; or the drive unit ready signal turns off. 	S (Instruction execution/Status change)	New	LCPU
SM1864	Axis 2 speed 0	OFF: Operating at speed other than 0 ON: Operating at speed 0	<ul style="list-style-type: none"> This relay turns on when JOG operation or speed control in speed/position switching control set at a speed of "0" is started. This relay turns on when speed is changed with a new speed value of "0", and turns off when speed is changed with a new speed value other than "0". This relay turns off when SM1860 turns off. 	S (Every END processing)	New	LCPU
SM1865	Axis 2 error	OFF: No error ON: Error	<ul style="list-style-type: none"> This relay turns on if an error occurs. The present error can be checked by SD1865. This relay is turned off by turning on SM1870. 	S (Every END processing)	New	LCPU
SM1866	Axis 2 warning	OFF: No warning ON: Warning	<ul style="list-style-type: none"> This relay turns on if a warning occurs. The present warning can be checked by SD1866. This relay is turned off by turning on SM1870. 	S (Every END processing)	New	LCPU
SM1867	Axis 2 start in busy status	OFF: No start attempted in busy status ON: Start attempted in busy status	<ul style="list-style-type: none"> This relay turns on when positioning control, OPR control, JOG operation, or absolute position restoration is attempted while the axis 2 is in the busy status. The executed start instruction will be ignored. This relay is reset by the user. 	S (Instruction execution)/U	New	LCPU

A

Appendix 2 List of Special Relay Areas

Number	Name	Meaning	Explanation	Set by (When Set)	Corresponding ACPU M9□□□	Corresponding CPU
SM1868	Axis 2 start instruction	OFF: Not executed ON: Being executed	<ul style="list-style-type: none"> This relay turns on when positioning control by the start instruction (IPPSTR2(P), IPDSTR2(P), IPSIMUL(P), IPABRST2), JOG operation by the JOG start instruction (IPJOG2), or OPR control by the OPR start instruction (IOPR2(P)) is started. This relay turns off when positioning control, OPR control, or JOG operation is completed. 	S (Instruction execution/Status change)	New	LCPU
SM1870	Axis 2 error reset	OFF → ON: Resets the Axis 2 error. OFF: Clears the reset status.	<ul style="list-style-type: none"> Turning on this relay will turn off SM1865 and SM1866 and will clear the SD1865 and SD1866 values to "0". Even if this relay is turned on, SM1865 will not turn off and the SD1865 value will not be cleared to "0" until SM1860 turns off. 	U	New	LCPU
SM1871	Axis 2 OPR request off	OFF → ON: Axis 2 OPR request OFF: Cleared	Turning on this relay will forcibly turn off SM1862.	U	New	LCPU
SM1872	Axis 2 speed/position switching	OFF: Disabled ON: Enabled	This relay stores whether to enable switching from speed control to position control in speed/position switching control.	U	New	LCPU
SM1880	CH1 counter value greater (No.1)	OFF: Coincidence point (No.1) or smaller ON: Greater than coincidence point (No.1)	<ul style="list-style-type: none"> This relay turns on when "current value of CH1 > coincidence output No.1 point setting value" is met. This relay turns off when "current value of CH1 ≤ coincidence output No.1 point setting value" is met. 	S (Every END processing)	New	LCPU
SM1881	CH1 counter value coincidence (No.1)	OFF: Not detected ON: Detected	<ul style="list-style-type: none"> This relay turns on when "current value of CH1 = coincidence output No.1 point setting value" is met. This relay is turned off by turning on CH1 coincidence signal No.1 reset command. 	S (Status change/Every END processing)	New	LCPU
SM1882	CH1 counter value smaller (No.1)	OFF: Coincidence point (No.1) or greater ON: Smaller than coincidence point (No.1)	<ul style="list-style-type: none"> This relay turns on when "current value of CH1 < coincidence output No.1 point setting value" is met. This relay turns off when "current value of CH1 ≥ coincidence output No.1 point setting value" is met. 	S (Every END processing)	New	LCPU
SM1883	CH1 counter value greater (No.2)	OFF: Coincidence point (No.2) or smaller ON: Greater than coincidence point (No.2)	<ul style="list-style-type: none"> This relay turns on when "current value of CH1 > coincidence output No.2 point setting value" is met. This relay turns off when "current value of CH1 ≤ coincidence output No.2 point setting value" is met. 	S (Every END processing)	New	LCPU
SM1884	CH1 counter value coincidence (No.2)	OFF: Not detected ON: Detected	<ul style="list-style-type: none"> This relay turns on when "current value of CH1 = coincidence output No.2 point setting value" is met. This relay is turned off by turning on CH1 coincidence signal No.2 reset command. 	S (Status change/Every END processing)	New	LCPU
SM1885	CH1 counter value smaller (No.2)	OFF: Coincidence point (No.2) or greater ON: Smaller than coincidence point (No.2)	<ul style="list-style-type: none"> This relay turns on when "current value of CH1 < coincidence output No.2 point setting value" is met. This relay turns off when "current value of CH1 ≥ coincidence output No.2 point setting value" is met. 	S (Every END processing)	New	LCPU
SM1886	CH1 external preset (phase Z) request detection	OFF: Not detected ON: Detected	<ul style="list-style-type: none"> This relay turns on when a preset request by phase Z (preset) terminal of CH1 is detected. This relay is turned off by turning on CH1 external preset (phase Z) request detection clear command. 	S (Every END processing)	New	LCPU

Number	Name	Meaning	Explanation	Set by (When Set)	Corresponding ACPU M9□□□	Corresponding CPU
SM1887	CH1 error	OFF: No error ON: Error	<ul style="list-style-type: none"> This relay turns on if the CH1 error occurs. This relay turns off when an error cause is removed and CH1 error reset command is turned on. 	S (Every END processing)	New	LCPU
SM1888	CH1 warning	OFF: No warning ON: Warning	<ul style="list-style-type: none"> This relay turns on if a warning occurs in CH1. This relay turns off when a warning cause is removed and CH1 error reset command is turned on. 	S (Every END processing)	New	LCPU
SM1890	CH1 coincidence signal No.1 reset command	Resets CH1 counter value coincidence No.1.	<ul style="list-style-type: none"> This relay is turned on to reset CH1 counter value coincidence No.1. The command is valid while this relay is on. The on time must be held for at least 2ms. 	U	New	LCPU
SM1891	CH1 coincidence signal No.2 reset command	Resets CH1 counter value coincidence No.2.	<ul style="list-style-type: none"> This relay is turned on to reset CH1 counter value coincidence No.2. The command is valid while this relay is on. The on time must be held for at least 2ms. 	U	New	LCPU
SM1892	CH1 coincidence output enable command	Controls outputs from CH1 coincidence output No.1 and No.2 terminals.	<ul style="list-style-type: none"> This relay is turned on to perform coincidence output from CH1 coincidence output No.1 and CH1 coincidence output No.2 terminals. The command is valid while this relay is on. 	U	New	LCPU
SM1893	CH1 preset command	Presets the counter value.	<ul style="list-style-type: none"> This relay is turned on to preset the counter value. The command is valid at the rise of this relay (off → on). The on and off time must be held for at least 2ms. 	U	New	LCPU
SM1894	CH1 count down command	Counts down pulses.	<ul style="list-style-type: none"> This relay is turned on to count down pulses. The command is valid while the Pulse input mode is either 1-phase multiple of n or 1-phase multiple of n (A phase only). The command is valid while this relay is on. 	U	New	LCPU
SM1895	CH1 count enable command	Starts counting.	<ul style="list-style-type: none"> This relay is turned on to start counting. The command is valid while this relay is on. 	U	New	LCPU
SM1896	CH1 counter function selection start command	Starts the selected counter function.	<ul style="list-style-type: none"> This relay is turned on to start the selected counter function. When the count disabling function is selected, the command is valid while this relay is on. When the latch counter function or the sampling counter function is selected, the command is valid at the rise of this relay (off → on). The on time must be held for at least 2ms. When the count disabling/preset function or the latch counter/preset function is selected, the command is invalid. 	U	New	LCPU
SM1897	CH1 external preset (phase Z) request detection reset command	Resets CH1 external preset (phase Z) request detection.	<ul style="list-style-type: none"> This relay is turned on to reset CH1 external preset (phase Z) request detection. The command is valid at the rise of this relay (off → on). The on and off time must be held for at least 2ms. 	U	New	LCPU

A

Appendix 2 List of Special Relay Areas

Number	Name	Meaning	Explanation	Set by (When Set)	Corresponding ACPU M9□□□	Corresponding CPU
SM1898	CH1 pulse measurement start command	Starts pulse measurement.	<ul style="list-style-type: none"> This relay is turned on to measure pulses. The command is valid while this relay is on. 	U	New	LCPU
SM1899	CH1 error reset command	Resets the CH1 error.	<ul style="list-style-type: none"> This relay is turned on to reset the CH1 error. The command is valid at the rise of this relay (off → on). The on and off time must be held for at least 2ms. 	U	New	LCPU
SM1900	CH2 counter value greater (No.1)	OFF: Coincidence point (No.1) or smaller ON: Greater than coincidence point (No.1)	<ul style="list-style-type: none"> This relay turns on when "current value of CH2 > coincidence output No.1 point setting value" is met. This relay turns off when "current value of CH2 ≤ coincidence output No.1 point setting value" is met. 	S (Every END processing)	New	LCPU
SM1901	CH2 counter value coincidence (No.1)	OFF: Not detected ON: Detected	<ul style="list-style-type: none"> This relay turns on when "current value of CH2 = coincidence output No.1 point setting value" is met. This relay is turned off by turning on CH2 coincidence signal No.1 reset command. 	S (Status change/Every END processing)	New	LCPU
SM1902	CH2 counter value smaller (No.1)	OFF: Coincidence point (No.1) or greater ON: Smaller than coincidence point (No.1)	<ul style="list-style-type: none"> This relay turns on when "current value of CH2 < coincidence output No.1 point setting value" is met. This relay turns off when "current value of CH2 ≥ coincidence output No.1 point setting value" is met. 	S (Every END processing)	New	LCPU
SM1903	CH2 counter value greater (No.2)	OFF: Coincidence point (No.2) or smaller ON: Greater than coincidence point (No.2)	<ul style="list-style-type: none"> This relay turns on when "current value of CH2 > coincidence output No.2 point setting value" is met. This relay turns off when "current value of CH2 ≤ coincidence output No.2 point setting value" is met. 	S (Every END processing)	New	LCPU
SM1904	CH2 counter value coincidence (No.2)	OFF: Not detected ON: Detected	<ul style="list-style-type: none"> This relay turns on when "current value of CH2 = coincidence output No.2 point setting value" is met. This relay is turned off by turning on CH2 coincidence signal No.2 reset command. 	S (Status change/Every END processing)	New	LCPU
SM1905	CH2 counter value smaller (No.2)	OFF: Coincidence point (No.2) or greater ON: Smaller than coincidence point (No.2)	<ul style="list-style-type: none"> This relay turns on when "current value of CH2 < coincidence output No.2 point setting value" is met. This relay turns off when "current value of CH2 ≥ coincidence output No.2 point setting value" is met. 	S (Every END processing)	New	LCPU
SM1906	CH2 external preset (phase Z) request detection	OFF: Not detected ON: Detected	<ul style="list-style-type: none"> This relay turns on when a preset request by phase Z (preset) terminal of CH2 is detected. This relay is turned off by turning on CH2 external preset (phase Z) request detection clear command. 	S (Every END processing)	New	LCPU
SM1907	CH2 Error	OFF: No error ON: Error	<ul style="list-style-type: none"> This relay turns on if the CH2 error occurs. This relay turns off when an error cause is removed and CH2 error reset command is turned on. 	S (Every END processing)	New	LCPU
SM1908	CH2 warning	OFF: No warning ON: Warning	<ul style="list-style-type: none"> This relay turns on if a warning occurs in CH2. This relay turns off when a warning cause is removed and CH2 error reset command is turned on. 	S (Every END processing)	New	LCPU
SM1910	CH2 coincidence signal No.1 reset command	Resets CH2 counter value coincidence No.1.	<ul style="list-style-type: none"> This relay is turned on to reset CH2 counter value coincidence No.1. The command is valid while this relay is on. The on time must be held for at least 2ms. 	U	New	LCPU

Number	Name	Meaning	Explanation	Set by (When Set)	Corresponding ACPU M9□□□	Corresponding CPU
SM1911	CH2 coincidence signal No.2 reset command	Resets CH2 counter value coincidence No.2.	<ul style="list-style-type: none"> This relay is turned on to reset CH2 counter value coincidence No.2. The command is valid while this relay is on. The on time must be held for at least 2ms. 	U	New	LCPU
SM1912	CH2 coincidence output enable command	Controls outputs from CH2 coincidence output No.1 and No.2 terminals.	<ul style="list-style-type: none"> This relay is turned on to perform coincidence output from CH2 coincidence output No.1 and CH2 coincidence output No.2 terminals. The command is valid while this relay is on. 	U	New	LCPU
SM1913	CH2 preset command	Presets the counter value.	<ul style="list-style-type: none"> This relay is turned on to preset the counter value. The command is valid at the rise of this relay (off → on). The on and off time must be held for at least 2ms. 	U	New	LCPU
SM1914	CH2 count down command	Counts down pulses.	<ul style="list-style-type: none"> This relay is turned on to count down pulses. The command is valid while the Pulse input mode is either 1-phase multiple of n or 1-phase multiple of n (A phase only). The command is valid while this relay is on. 	U	New	LCPU
SM1915	CH2 count enable command	Starts counting.	<ul style="list-style-type: none"> This relay is turned on to start counting. The command is valid while this relay is on. 	U	New	LCPU
SM1916	CH2 counter function selection start command	Starts the selected counter function.	<ul style="list-style-type: none"> This relay is turned on to start the selected counter function. When the count disabling function is selected, the command is valid while this relay is on. When the latch counter function or the sampling counter function is selected, the command is valid at the rise of this relay (off → on). The on time must be held for at least 2ms. When the count disabling/preset function or the latch counter/preset function is selected, the command is invalid. 	U	New	LCPU
SM1917	CH2 external preset (phase Z) request detection reset command	Resets CH2 external preset (phase Z) request detection.	<ul style="list-style-type: none"> This relay is turned on to reset CH2 external preset (phase Z) request detection. The command is valid at the rise of this relay (off → on). The on and off time must be held for at least 2ms. 	U	New	LCPU
SM1918	CH2 pulse measurement start command	Starts pulse measurement.	<ul style="list-style-type: none"> This relay is turned on to measure pulses. The command is valid while this relay is on. 	U	New	LCPU
SM1919	CH2 error reset command	Resets the CH2 error.	<ul style="list-style-type: none"> This relay is turned on to reset the CH2 error. The command is valid at the rise of this relay (off → on). The on and off time must be held for at least 2ms. 	U	New	LCPU

A

Appendix 2 List of Special Relay Areas

(22)CPU module data backup/restoration function

Number	Name	Meaning	Explanation	Set by (When Set)	Corresponding ACPU M9□□□	Corresponding CPU
SM1925	Backup status flag	OFF: Not being executed ON: Being executed	This relay turns on during execution of backup.	S (Status change)	New	QnUDV ^{*1} QnUDPV ^{*1}
SM1926	Backup execution request	OFF: Not requested ON: Requested	If this relay is turned off and then on, backup execution request is issued when the END processing of the scan is executed. This relay is turned off by the system after the backup is completed.	S (Status change)/U	New	QnUDV ^{*1} QnUDPV ^{*1}
SM1928	Restoration status flag	OFF: Not being executed ON: Being executed	This relay turns on during execution of restoration	S (Status change)	New	QnUDV ^{*1} QnUDPV ^{*1}
SM1929	Restoration execution request	OFF: Not requested ON: Requested	If this relay is turned off and then on when the CPU module is in STOP state, restoration execution request is issued. This relay is turned off by the system after the restoration is completed.	S (Status change)/U	New	QnUDV ^{*1} QnUDPV ^{*1}
SM1931	Retry status flag for automatic backup	OFF: Not being executed ON: Being executed	This relay turns on during the retry of the automatic backup. (This relay turns on at the start of the retry, and turns off when the automatic backup is triggered by the retry while the exclusive functions are not executed, or when the specified number of retries are attempted.)	S (Status change)	New	QnUDV ^{*2} QnUDPV ^{*2}

*1 Modules whose serial number (first five digits) is "17103" or later

*2 Modules whose serial number (first five digits) is "18052" or later

(23)Data logging

Number	Name	Meaning	Explanation	Set by (When Set)	Corresponding ACPU M9□□□	Corresponding CPU
SM1938	Data logging restart flag at error stop	OFF: Not restarted ON: Restarted	When SM960 (Data logging error check flag) is ON, the data logging is restarted by turning off and then on this relay. This relay is turned off when the CPU module is powered off and then on or is reset.	U	New	QnUDV ^{*2} QnUDPV ^{*2} LCPV ^{*3}
SM1940	Data logging setting No.1 Data logging preparation	OFF: Not ready ON: Ready	This relay turns on when the system is ready for data logging. This relay remains on even after data logging is suspended. However, this relay turns off when data logging is stopped.	S (Initial)	New	QnUDV QnUDPV LCPV
SM1941	Data logging setting No.1 Data logging start	OFF: Pause ON: Start	This relay is turned on to start data logging while the CPU module is set to RUN and is turned off to suspend data logging. (The related special relays will all turn off.) Even if this relay is turned on while the CPU module is set to STOP, data logging will not be started.	S (Status change)/U	New	QnUDV QnUDPV LCPV
SM1942	Data logging setting No.1 Data logging collection	OFF: Not being collected ON: Being collected	This relay is on while data logging is being collected.	S (Status change)	New	QnUDV QnUDPV LCPV

Number	Name	Meaning	Explanation	Set by (When Set)	Corresponding ACPU M9□□□	Corresponding CPU
SM1943	Data logging setting No.1 Data logging end	OFF: Not ended ON: Ended	This relay turns on when data logging is ended. [Continuous is set for Logging type] The corresponding bit turns on when data logging is ended after data have been written by the number of storable files (Stop is set for Operation occurring when number of saved files is exceeded). [Trigger is set for Logging type] The corresponding bit turns on when the trigger condition is met, data are collected by the number of set times, and then the data are written to the SD memory card. This relay also turns on if an error occurs during data logging (except data logging error occurred by the execution of online change).	S (Status change)	New	QnUDV QnUDPV LCPU
SM1944	Data logging setting No.1 Data logging trigger	OFF → ON: Triggered	<ul style="list-style-type: none"> This relay turns on when the specified trigger condition is met. This relay is turned on to meet the trigger condition. 	S (Status change)/U	New	QnUDV QnUDPV LCPU
SM1945	Data logging setting No.1 After data logging trigger	OFF: Not after trigger ON: After trigger	This relay turns on after trigger logging is triggered. This relay remains on even after data logging is completed. This relay turns off when trigger logging is suspended or stopped.	S (Status change)	New	QnUDV QnUDPV LCPU
SM1946	Data logging setting No.1 Data logging error	OFF: No error ON: Error	This relay turns on if a data logging error occurs. This relay is turned off by the registration of the setting or a stop command from the CPU Module Logging Configuration Tool.	S (Error)	New	QnUDV QnUDPV LCPU
SM1947	Data logging setting No.1 Data storage in SD memory card	OFF: Not stored ON: Being stored	This relay is on while buffer memory data are being stored to a SD memory card by data logging.	S (Status change)	New	QnUDV QnUDPV LCPU
SM1948	Data logging setting No.1 Data logging file transfer execution status flag	OFF: Not executed ON: Being executed	<ul style="list-style-type: none"> This relay turns on when the data logging file transfer function is started. This relay turns off when the data logging file transfer function is stopped. 	S (Status change)	New	QnUDV QnUDPV LCPU*1

A

Number	Name	Meaning	Explanation	Set by (When Set)	Corresponding ACPU M9□□□	Corresponding CPU
SM1950 to SM1958	Data logging setting No.2	Same as in data logging setting No.1	Same as in data logging setting No.1 (SM1940 to SM1948)	Same as in data logging setting No.1	New	QnUDV QnUDPV LCPU*1
SM1960 to SM1968	Data logging setting No.3					
SM1970 to SM1978	Data logging setting No.4					
SM1980 to SM1988	Data logging setting No.5					
SM1990 to SM1998	Data logging setting No.6					
SM2000 to SM2008	Data logging setting No.7					
SM2010 to SM2018	Data logging setting No.8					
SM2020 to SM2028	Data logging setting No.9					
SM2030 to SM2038	Data logging setting No.10					

*1 For the data logging file transfer execution status flag, modules whose serial number (first five digits) is "12112" or later support these areas.

*2 Modules whose serial number (first five digits) is "17103" or later

*3 The LCPU, except the L02SCPU and L02SCPU-P, whose serial number (first five digits) is "17102" or later



Appendix 3 List of Special Register Areas

The special register (SD) is an internal register whose application is fixed in the programmable controller. For this reason, the special register cannot be used in the same way as other internal registers are used in sequence programs. However, data can be written to the special register to control the CPU module as needed. Data is stored in binary format if not specified.

The following table shows how to read the special register list.

Item	Description
Number	Special register number
Name	Special register name
Meaning	Contents of special register
Explanation	Detailed description of special register
Set by (When Set)	<p>Set side and set timing of special register</p> <p><Set by></p> <ul style="list-style-type: none"> • S: Set by system • U: Set by user (using a program, programming tool, GOT, or test operation from other external devices) • S/U: Set by both system and user <p><When Set></p> <p>The following shows the set timing when the special register is set by system.</p> <ul style="list-style-type: none"> • Every END processing: Set during every END processing • Initial: Set during initial processing (after power-on or status change from STOP to RUN) • Status change: Set when the operating status is changed • Error: Set if an error occurs • Instruction execution: Set when an instruction is executed • Request: Set when requested by a user (using the special relay) • When condition occurs: Set when the condition is triggered • When system is switched: Set when the system is switched (between the control system and the standby system) • When RUN/STOP/RESET switch changed: Set when the RUN/STOP/RESET switch is changed • Card removal: Set when a memory card is inserted or removed • At write: Set when data are written to the CPU module by a user • During END processing: Set during END processing
Corresponding CPU	<p>CPU module supporting the special register</p> <ul style="list-style-type: none"> • QCPU: All the Q series CPU modules • Q00J/Q00/Q01: Basic model QCPU • Qn(H): High Performance model QCPU • QnPH: Process CPU • QnPRH: Redundant CPU • QnU: Universal model QCPU • QnUDV: High-speed Universal model QCPU • QnUDPV: Universal model Process CPU • Q00UJ/Q00U/Q01U: Q00UJCPU, Q00UCPU, and Q01UCPU • LCPU: All the L series CPU modules • CPU module model: Only the specified model (Example: Q02UCPU, L26CPU-BT)
Corresponding ACPU D9□□□	<ul style="list-style-type: none"> • Special register (D9□□□) supported by the ACPU ("D9□□□ format change" indicates the one whose application has been changed. Incompatible with the Q00J/Q00/Q01 and QnPRH.) • "New" indicates the one added for the QCPU or LCPU.

For details on the following items, refer to the following.

- For network related items:  Manuals for each network module
- For SFC programs:  MELSEC-Q/L/QnA Programming Manual (SFC)

Point

Do not change the values of special register set by system using a program or by test operation. Doing so may result in system down or communication failure.

(1) Diagnostic information

Number	Name	Meaning	Explanation	Set by (When Set)	Corresponding ACPU D9□□□	Corresponding CPU
SD0	Diagnostic errors	Diagnosis error code	<ul style="list-style-type: none"> This register stores the error code of an error detected by diagnostics. Contents identical to latest error history information. 	S (Error)	D9008 format change	QCPU LCPU
SD1	Clock time for diagnosis error occurrence	Clock time for diagnosis error occurrence	This register stores the year (last two digits) and the month when the SD0 data is updated in 4-digit BCD. b15 to b8 b7 to b0 (Example) October, 1995 Year (0 to 99) Month (1 to 12) 9510 _H	S (Error)	New	QCPU LCPU
SD2			This register stores the day and the hour when the SD0 data is updated in 4-digit BCD. b15 to b8 b7 to b0 (Example) 10 a.m. on 25th Day (1 to 31) Hour (0 to 23) 2510 _H			
SD3			This register stores the minute and the second when the SD0 data is updated in 4-digit BCD. b15 to b8 b7 to b0 (Example) 35 min. 48 sec. Minutes (0 to 59) Seconds (0 to 59) 3548 _H			

Number	Name	Meaning	Explanation	Set by (When Set)	Corresponding ACPU D9□□□	Corresponding CPU									
SD4	Error information categories	Error information category code	<ul style="list-style-type: none"> This register stores a category code indicating a type of the error information which is stored in the common information (SD5 to SD15) and the individual information (SD16 to SD26). <div style="text-align: center; border: 1px solid black; padding: 2px; margin: 10px 0;"> <table style="width: 100%; border-collapse: collapse;"> <tr> <td style="width: 33%; text-align: center;">b15</td> <td style="width: 33%; text-align: center;">to</td> <td style="width: 33%; text-align: center;">b8</td> </tr> <tr> <td style="width: 33%; text-align: center;">Individual information category codes</td> <td style="width: 33%; text-align: center;">to</td> <td style="width: 33%; text-align: center;">b0</td> </tr> <tr> <td style="width: 33%; text-align: center;">Common information category codes</td> <td colspan="2"></td> </tr> </table> </div> <ul style="list-style-type: none"> The common information category codes store the following codes: <ol style="list-style-type: none"> 0: No error 1: Module No. (QCPU: Slot No./CPU No./base No., LCPU: Slot No./Block No.)*1 2: File name/drive name 3: Time (value set) 4: Program error location 5: Reason(s) for system switching (for the Redundant CPU) 6: Reason(s) for tracking size excess error (for the Redundant CPU) 7: Base No./power supply No. (This does not apply to the Universal model QCPU and the LCPU with a serial number (first five digits) of "10041" or earlier.) 8: Tracking transmission data classification (for the Redundant CPU) <p>*1 For a multiple CPU system, the module No. or CPU No. (CPU No.1: 1, CPU No.2: 2, CPU No.3: 3, CPU No.4: 4) is stored according to an error. (For details, refer to each error code.)</p> The individual information category codes store the following codes: <ol style="list-style-type: none"> 0: No error 1: (Empty) 2: File name/drive name 3: Time (value actually measured) 4: Program error location 5: Parameter number 6: Annunciator (F) No. 7: CHK instruction failure No. (Except for the Basic model QCPU, Universal model QCPU, and LCPU.) 8: Reason(s) for system switching failure (for the Redundant CPU) 9: Failure information (for the QnUDVCP, QnUDPVCPU, and LCPU) 12: File diagnostic information (for the Universal model QCPU and the LCPU) 13: Parameter No./CPU No. (for the Universal model QCPU) 	b15	to	b8	Individual information category codes	to	b0	Common information category codes			S (Error)	New	QCPU LCPU
b15	to	b8													
Individual information category codes	to	b0													
Common information category codes															



Number	Name	Meaning	Explanation	Set by (When Set)	Corresponding ACPU D9□□□	Corresponding CPU																												
SD5 to SD15	Error common information	Error common information	<ul style="list-style-type: none"> This register stores common information corresponding to the error code stored in SD0. The following ten types of information are stored here: The error common information type can be determined by "common information category code" stored in SD4. (Values stored in "common information category code" correspond to the following 1) to 8).) <p>1) Module No.</p> <table border="1"> <thead> <tr> <th>Number</th> <th>Meaning</th> </tr> </thead> <tbody> <tr> <td>SD5</td> <td>Slot No./CPU No./Base No./Block No. *1, *2, *3, *4, *5</td> </tr> <tr> <td>SD6</td> <td>I/O No. *6, *11</td> </tr> <tr> <td>SD7</td> <td rowspan="9">(Empty)</td> </tr> <tr> <td>SD8</td> </tr> <tr> <td>SD9</td> </tr> <tr> <td>SD10</td> </tr> <tr> <td>SD11</td> </tr> <tr> <td>SD12</td> </tr> <tr> <td>SD13</td> </tr> <tr> <td>SD14</td> </tr> <tr> <td>SD15</td> </tr> </tbody> </table> <p>*1 For a multiple CPU system, the module No. or CPU No. (CPU No.1: 1, CPU No.2: 2, CPU No.3: 3, CPU No.4: 4) is stored according to an error. (For details, refer to each error code.)</p> <p>*2 If a fuse has been blown or an I/O module verify error occurs in a module on the MELSECNET/H remote I/O station, the network No. is stored in the upper 8 bits and the station No. is stored in the lower 8 bits. To determine a fuse-blown module or a module where an I/O module verify error occurs, check the I/O No.</p> <p>*3 If an instruction is executed from the Basic model QCPU to a module mounted on the slot where no module should be mounted, "255" is stored in SD5.</p> <p>*4 The definitions of the base No., slot No., and block No. are as follows:</p> <p>[Base No.] This number indicates a base unit on which the CPU module is mounted.</p> <table border="1"> <thead> <tr> <th>Base No.</th> <th>Definition</th> </tr> </thead> <tbody> <tr> <td>0</td> <td>Indicates the main base unit where a CPU module is mounted.</td> </tr> <tr> <td>1 to 7</td> <td>Indicates the extension base unit. The stage number setting made by the stage number setting connector on the extension base unit is the base No. When stage number setting is extension 1: Base No. = 1 When stage number setting is extension 7: Base No. = 7</td> </tr> </tbody> </table> <p>[Slot No.] This number is used to identify the slot of each base unit and a module mounted on the slot. The "0" I/O slot (slot on the right of the CPU slot) on the main base unit is defined as "Slot No. = 0". The slot Nos. are assigned in sequence numbers in order of the main base unit and then the first extension base unit to 7th extension base unit. When the number of slots on base units has been set in the I/O Assignment tab of "PLC Parameter", the slot Nos. are assigned by the number of set slots.</p> <p>[Block No.]</p> <table border="1"> <thead> <tr> <th>Block No.</th> <th>Definition</th> </tr> </thead> <tbody> <tr> <td>0</td> <td>Indicates the number of main block where a CPU module is mounted.</td> </tr> <tr> <td>1 to 3</td> <td>Indicates the main block where a CPU module is mounted. Extension block 1: Block No. = 1 Extension block 2: Block No. = 2 Extension block 3: Block No. = 3</td> </tr> </tbody> </table>	Number	Meaning	SD5	Slot No./CPU No./Base No./Block No. *1, *2, *3, *4, *5	SD6	I/O No. *6, *11	SD7	(Empty)	SD8	SD9	SD10	SD11	SD12	SD13	SD14	SD15	Base No.	Definition	0	Indicates the main base unit where a CPU module is mounted.	1 to 7	Indicates the extension base unit. The stage number setting made by the stage number setting connector on the extension base unit is the base No. When stage number setting is extension 1: Base No. = 1 When stage number setting is extension 7: Base No. = 7	Block No.	Definition	0	Indicates the number of main block where a CPU module is mounted.	1 to 3	Indicates the main block where a CPU module is mounted. Extension block 1: Block No. = 1 Extension block 2: Block No. = 2 Extension block 3: Block No. = 3	S (Error)	New	QCPU LCPUCPU
Number	Meaning																																	
SD5	Slot No./CPU No./Base No./Block No. *1, *2, *3, *4, *5																																	
SD6	I/O No. *6, *11																																	
SD7	(Empty)																																	
SD8																																		
SD9																																		
SD10																																		
SD11																																		
SD12																																		
SD13																																		
SD14																																		
SD15																																		
Base No.	Definition																																	
0	Indicates the main base unit where a CPU module is mounted.																																	
1 to 7	Indicates the extension base unit. The stage number setting made by the stage number setting connector on the extension base unit is the base No. When stage number setting is extension 1: Base No. = 1 When stage number setting is extension 7: Base No. = 7																																	
Block No.	Definition																																	
0	Indicates the number of main block where a CPU module is mounted.																																	
1 to 3	Indicates the main block where a CPU module is mounted. Extension block 1: Block No. = 1 Extension block 2: Block No. = 2 Extension block 3: Block No. = 3																																	

Number	Name	Meaning	Explanation	Set by (When Set)	Corresponding ACPU D9□□□	Corresponding CPU																																																																																																																		
SD5 to SD15	Error common information	Error common information	<p>*5 If a module is not mounted on any slots as set, FF_H is stored.</p> <p>*6 If FFFF_H is stored in SD6 (I/O No.), this indicates that the I/O No. cannot be identified due to an error such as overlap of an I/O No. in the I/O Assignment tab of "PLC Parameter". In this case, identify the error location using SD5. FFFF_H is also stored in SD6 for the branch module.</p> <p>*11 The number found by dividing the start I/O number by 16 is stored.</p> <p>2) File name/drive name</p> <table border="1" data-bbox="545 604 981 851"> <tr> <th>Number</th> <th>Meaning</th> <th colspan="2">(Example) File name =</th> </tr> <tr> <td>SD5</td> <td>Drive</td> <td>ABCDEFGH</td> <td>IJK</td> </tr> <tr> <td>SD6</td> <td></td> <td>b15 to b8</td> <td>b7 to b0</td> </tr> <tr> <td>SD7</td> <td>File name</td> <td>42_H(B)</td> <td>41_H(A)</td> </tr> <tr> <td>SD8</td> <td>(ASCII code: 8 characters)</td> <td>44_H(D)</td> <td>43_H(C)</td> </tr> <tr> <td>SD9</td> <td></td> <td>46_H(F)</td> <td>45_H(E)</td> </tr> <tr> <td>SD10</td> <td>Extension *7</td> <td>48_H(H)</td> <td>47_H(G)</td> </tr> <tr> <td>SD11</td> <td>(ASCII code: 3 characters)</td> <td>49_H(I)</td> <td>2E_H(.)</td> </tr> <tr> <td>SD12</td> <td></td> <td>4B_H(K)</td> <td>4A_H(J)</td> </tr> <tr> <td>SD13</td> <td></td> <td></td> <td></td> </tr> <tr> <td>SD14</td> <td>(Empty)</td> <td></td> <td></td> </tr> <tr> <td>SD15</td> <td></td> <td></td> <td></td> </tr> </table> <p>3) Time (value set)</p> <table border="1" data-bbox="595 918 933 1176"> <tr> <th>Number</th> <th>Meaning</th> </tr> <tr> <td>SD5</td> <td>Time : 1μs units (0 to 999μs)</td> </tr> <tr> <td>SD6</td> <td>Time : 1ms units (0 to 65535ms)</td> </tr> <tr> <td>SD7</td> <td></td> </tr> <tr> <td>SD8</td> <td></td> </tr> <tr> <td>SD9</td> <td></td> </tr> <tr> <td>SD10</td> <td></td> </tr> <tr> <td>SD11</td> <td>(Empty)</td> </tr> <tr> <td>SD12</td> <td></td> </tr> <tr> <td>SD13</td> <td></td> </tr> <tr> <td>SD14</td> <td></td> </tr> <tr> <td>SD15</td> <td></td> </tr> </table> <p>4) Program error location</p> <table border="1" data-bbox="595 1232 933 1489"> <tr> <th>Number</th> <th>Meaning</th> </tr> <tr> <td>SD5</td> <td></td> </tr> <tr> <td>SD6</td> <td>File name</td> </tr> <tr> <td>SD7</td> <td>(ASCII code: 8 characters)</td> </tr> <tr> <td>SD8</td> <td></td> </tr> <tr> <td>SD9</td> <td>Extension *7</td> </tr> <tr> <td>SD10</td> <td>(ASCII code: 3 characters)</td> </tr> <tr> <td>SD11</td> <td>Pattern *8</td> </tr> <tr> <td>SD12</td> <td>Block No.</td> </tr> <tr> <td>SD13</td> <td>Step No./transition condition</td> </tr> <tr> <td>SD14</td> <td>Sequence step No. (L)</td> </tr> <tr> <td>SD15</td> <td>Sequence step No. (H)</td> </tr> </table> <p>*7 For extension names, refer to the table on Page 358, Appendix 3 (1) (a).</p> <p>*8 The description of the bit pattern is as follows:</p> <table border="1" data-bbox="523 1601 1005 1736"> <tr> <td>15</td> <td>14</td> <td>to</td> <td>4</td> <td>3</td> <td>2</td> <td>1</td> <td>0</td> <td>←(Bit number)</td> </tr> <tr> <td>0</td> <td>0</td> <td>to</td> <td>0</td> <td>*</td> <td>*</td> <td>*</td> <td>*</td> <td></td> </tr> </table> <p>(Not used) SFC block designation present (1)/absent (0) SFC step designation present (1)/absent (0) SFC transition designation present (1)/absent (0)</p>	Number	Meaning	(Example) File name =		SD5	Drive	ABCDEFGH	IJK	SD6		b15 to b8	b7 to b0	SD7	File name	42 _H (B)	41 _H (A)	SD8	(ASCII code: 8 characters)	44 _H (D)	43 _H (C)	SD9		46 _H (F)	45 _H (E)	SD10	Extension *7	48 _H (H)	47 _H (G)	SD11	(ASCII code: 3 characters)	49 _H (I)	2E _H (.)	SD12		4B _H (K)	4A _H (J)	SD13				SD14	(Empty)			SD15				Number	Meaning	SD5	Time : 1μs units (0 to 999μs)	SD6	Time : 1ms units (0 to 65535ms)	SD7		SD8		SD9		SD10		SD11	(Empty)	SD12		SD13		SD14		SD15		Number	Meaning	SD5		SD6	File name	SD7	(ASCII code: 8 characters)	SD8		SD9	Extension *7	SD10	(ASCII code: 3 characters)	SD11	Pattern *8	SD12	Block No.	SD13	Step No./transition condition	SD14	Sequence step No. (L)	SD15	Sequence step No. (H)	15	14	to	4	3	2	1	0	←(Bit number)	0	0	to	0	*	*	*	*		S (Error)	New	QCPU LCPUCPU
Number	Meaning	(Example) File name =																																																																																																																						
SD5	Drive	ABCDEFGH	IJK																																																																																																																					
SD6		b15 to b8	b7 to b0																																																																																																																					
SD7	File name	42 _H (B)	41 _H (A)																																																																																																																					
SD8	(ASCII code: 8 characters)	44 _H (D)	43 _H (C)																																																																																																																					
SD9		46 _H (F)	45 _H (E)																																																																																																																					
SD10	Extension *7	48 _H (H)	47 _H (G)																																																																																																																					
SD11	(ASCII code: 3 characters)	49 _H (I)	2E _H (.)																																																																																																																					
SD12		4B _H (K)	4A _H (J)																																																																																																																					
SD13																																																																																																																								
SD14	(Empty)																																																																																																																							
SD15																																																																																																																								
Number	Meaning																																																																																																																							
SD5	Time : 1μs units (0 to 999μs)																																																																																																																							
SD6	Time : 1ms units (0 to 65535ms)																																																																																																																							
SD7																																																																																																																								
SD8																																																																																																																								
SD9																																																																																																																								
SD10																																																																																																																								
SD11	(Empty)																																																																																																																							
SD12																																																																																																																								
SD13																																																																																																																								
SD14																																																																																																																								
SD15																																																																																																																								
Number	Meaning																																																																																																																							
SD5																																																																																																																								
SD6	File name																																																																																																																							
SD7	(ASCII code: 8 characters)																																																																																																																							
SD8																																																																																																																								
SD9	Extension *7																																																																																																																							
SD10	(ASCII code: 3 characters)																																																																																																																							
SD11	Pattern *8																																																																																																																							
SD12	Block No.																																																																																																																							
SD13	Step No./transition condition																																																																																																																							
SD14	Sequence step No. (L)																																																																																																																							
SD15	Sequence step No. (H)																																																																																																																							
15	14	to	4	3	2	1	0	←(Bit number)																																																																																																																
0	0	to	0	*	*	*	*																																																																																																																	



Appendix 3 List of Special Register Areas

(a) Extension name

SD _n	SD _{n+1}		Extension	File type
	Upper 8 bits	Lower 8 bits		
51 _H	50 _H	41 _H	QPA	Parameter
51 _H	50 _H	47 _H	QPG	Program
51 _H	43 _H	44 _H	QCD	Device comment
51 _H	44 _H	49 _H	QDI	Initial device value
51 _H	44 _H	52 _H	QDR	File register
51 _H	44 _H	4C _H	QDL	Local device (for the High Performance model QCPU, Process CPU, Redundant CPU, Universal model QCPU, and LCPU)
51 _H	54 _H	44 _H	QTD	Sampling trace data (for the High Performance model QCPU, Process CPU, Redundant CPU, Universal model QCPU, and LCPU)
51 _H	46 _H	44 _H	QFD	Error history data (for the High Performance model QCPU, Process CPU, and Redundant CPU)
51 _H	53 _H	54 _H	QST	SP.DEVST/S.DEVLD instruction file (for the Universal model QCPU and the LCPU)
51 _H	4F _H	4C _H	QOL	Operation history file (for the High-speed Universal model QCPU and Universal model Process CPU)

Number	Name	Meaning	Explanation	Set by (When Set)	Corresponding ACPU D9□□□	Corresponding CPU																																																																																																																																							
SD5 to SD15	Error common information	Error common information	<p>5) Reason(s) for system switching</p> <table border="1"> <thead> <tr> <th>Number</th> <th>Meaning</th> </tr> </thead> <tbody> <tr> <td>SD5</td> <td>System switching cause *9</td> </tr> <tr> <td>SD6</td> <td>Control system switching instruction argument</td> </tr> <tr> <td>SD7</td> <td rowspan="8">(Empty)</td> </tr> <tr> <td>SD8</td> </tr> <tr> <td>SD9</td> </tr> <tr> <td>SD10</td> </tr> <tr> <td>SD11</td> </tr> <tr> <td>SD12</td> </tr> <tr> <td>SD13</td> </tr> <tr> <td>SD14</td> </tr> <tr> <td>SD15</td> </tr> </tbody> </table> <p>*9 The following shows the description.</p> <div style="border: 1px solid black; width: 100px; height: 15px; margin-bottom: 5px;"></div> <p style="margin-left: 40px;">↑</p> <ul style="list-style-type: none"> 0 : No system switching condition (default) 1 : Power-OFF, reset, hardware failure, watchdog timer error 2 : Stop error (except watchdog timer error) 3 : System switching request by network module 16 : Control system switching instruction 17 : Control system switching request from a programming tool <p>6) Reason(s) for tracking size excess error The following shows block Nos. when data size that can be tracked (100K) is exceeded in the bit pattern of the corresponding special relay.</p> <table border="1"> <thead> <tr> <th></th> <th>b15</th> <th>b14</th> <th>b13</th> <th>b12</th> <th>b11</th> <th>b10</th> <th>b9</th> <th>b8</th> <th>b7</th> <th>b6</th> <th>b5</th> <th>b4</th> <th>b3</th> <th>b2</th> <th>b1</th> <th>b0</th> </tr> </thead> <tbody> <tr> <td>SD5 (SM1535) (Block16)</td> <td>1</td> <td>0</td> <td>0</td> <td>0</td> <td>0</td> <td>0</td> <td>0</td> <td>1 (SM1528) (Block9)</td> <td>0</td> <td>0</td> <td>0</td> <td>0</td> <td>0</td> <td>0</td> <td>0</td> <td>1 (SM1520) (Block1)</td> </tr> <tr> <td>SD6</td> <td>0</td> <td>0</td> <td>0</td> <td>0</td> <td>0</td> <td>0</td> <td>0</td> <td>0</td> <td>0</td> <td>0</td> <td>0</td> <td>0</td> <td>0</td> <td>0</td> <td>0</td> <td>0</td> </tr> <tr> <td>SD7</td> <td>0</td> <td>0</td> <td>0</td> <td>0</td> <td>0</td> <td>0</td> <td>0</td> <td>0</td> <td>0</td> <td>0</td> <td>0</td> <td>0</td> <td>0</td> <td>0</td> <td>0</td> <td>0</td> </tr> <tr> <td>SD8 (SM1583) (Block64)</td> <td>1</td> <td>0</td> <td>0</td> <td>0</td> <td>0</td> <td>0</td> <td>0</td> <td>0</td> <td>0</td> <td>0</td> <td>0</td> <td>0</td> <td>0</td> <td>0</td> <td>0</td> <td>1 (SM1568) (Block49)</td> </tr> <tr> <td>SD9</td> <td>0</td> <td>0</td> <td>0</td> <td>0</td> <td>0</td> <td>0</td> <td>0</td> <td>0</td> <td>0</td> <td>0</td> <td>0</td> <td>0</td> <td>0</td> <td>0</td> <td>0</td> <td>0</td> </tr> <tr> <td>SD15</td> <td>0</td> <td>0</td> <td>0</td> <td>0</td> <td>0</td> <td>0</td> <td>0</td> <td>0</td> <td>0</td> <td>0</td> <td>0</td> <td>0</td> <td>0</td> <td>0</td> <td>0</td> <td>0</td> </tr> </tbody> </table>	Number	Meaning	SD5	System switching cause *9	SD6	Control system switching instruction argument	SD7	(Empty)	SD8	SD9	SD10	SD11	SD12	SD13	SD14	SD15		b15	b14	b13	b12	b11	b10	b9	b8	b7	b6	b5	b4	b3	b2	b1	b0	SD5 (SM1535) (Block16)	1	0	0	0	0	0	0	1 (SM1528) (Block9)	0	0	0	0	0	0	0	1 (SM1520) (Block1)	SD6	0	0	0	0	0	0	0	0	0	0	0	0	0	0	0	0	SD7	0	0	0	0	0	0	0	0	0	0	0	0	0	0	0	0	SD8 (SM1583) (Block64)	1	0	0	0	0	0	0	0	0	0	0	0	0	0	0	1 (SM1568) (Block49)	SD9	0	0	0	0	0	0	0	0	0	0	0	0	0	0	0	0	SD15	0	0	0	0	0	0	0	0	0	0	0	0	0	0	0	0	S (Error)	New	QnPRH
Number	Meaning																																																																																																																																												
SD5	System switching cause *9																																																																																																																																												
SD6	Control system switching instruction argument																																																																																																																																												
SD7	(Empty)																																																																																																																																												
SD8																																																																																																																																													
SD9																																																																																																																																													
SD10																																																																																																																																													
SD11																																																																																																																																													
SD12																																																																																																																																													
SD13																																																																																																																																													
SD14																																																																																																																																													
SD15																																																																																																																																													
	b15	b14	b13	b12	b11	b10	b9	b8	b7	b6	b5	b4	b3	b2	b1	b0																																																																																																																													
SD5 (SM1535) (Block16)	1	0	0	0	0	0	0	1 (SM1528) (Block9)	0	0	0	0	0	0	0	1 (SM1520) (Block1)																																																																																																																													
SD6	0	0	0	0	0	0	0	0	0	0	0	0	0	0	0	0																																																																																																																													
SD7	0	0	0	0	0	0	0	0	0	0	0	0	0	0	0	0																																																																																																																													
SD8 (SM1583) (Block64)	1	0	0	0	0	0	0	0	0	0	0	0	0	0	0	1 (SM1568) (Block49)																																																																																																																													
SD9	0	0	0	0	0	0	0	0	0	0	0	0	0	0	0	0																																																																																																																													
SD15	0	0	0	0	0	0	0	0	0	0	0	0	0	0	0	0																																																																																																																													

Number	Name	Meaning	Explanation	Set by (When Set)	Corresponding ACPU D9□□□	Corresponding CPU																
SD5 to SD15	Error common information	Error common information	7) Base No./power supply No. <table border="1"> <thead> <tr> <th>Number</th> <th>Meaning</th> </tr> </thead> <tbody> <tr> <td>SD5</td> <td>Base No.</td> </tr> <tr> <td>SD6</td> <td>Power supply No.</td> </tr> <tr> <td>SD7</td> <td rowspan="10">(Empty)</td> </tr> <tr> <td>SD8</td> </tr> <tr> <td>SD9</td> </tr> <tr> <td>SD10</td> </tr> <tr> <td>SD11</td> </tr> <tr> <td>SD12</td> </tr> <tr> <td>SD13</td> </tr> <tr> <td>SD14</td> </tr> <tr> <td>SD15</td> </tr> </tbody> </table> <p>1: Power supply 1 fault 2: Power supply 2 fault "Power supply mounted on POWER 1 slot of redundant module 1": base unit (Q38RB, Q68RB, Q65WRB) "Power supply mounted on POWER 2 slot of redundant module 2": base unit (Q38RB, Q68RB, Q65WRB)</p>	Number	Meaning	SD5	Base No.	SD6	Power supply No.	SD7	(Empty)	SD8	SD9	SD10	SD11	SD12	SD13	SD14	SD15			Qn(H) ^{*1} QnPH ^{*1} QnPRH QnU ^{*2}
			Number	Meaning																		
SD5	Base No.																					
SD6	Power supply No.																					
SD7	(Empty)																					
SD8																						
SD9																						
SD10																						
SD11																						
SD12																						
SD13																						
SD14																						
SD15																						
8) Tracking transmission data classification This register stores a data type during tracking. <table border="1"> <thead> <tr> <th>Number</th> <th>Meaning</th> </tr> </thead> <tbody> <tr> <td>SD5</td> <td>Data type *10</td> </tr> <tr> <td>SD6</td> <td rowspan="10">(Empty)</td> </tr> <tr> <td>SD7</td> </tr> <tr> <td>SD8</td> </tr> <tr> <td>SD9</td> </tr> <tr> <td>SD10</td> </tr> <tr> <td>SD11</td> </tr> <tr> <td>SD12</td> </tr> <tr> <td>SD13</td> </tr> <tr> <td>SD14</td> </tr> <tr> <td>SD15</td> </tr> </tbody> </table> <p>*10 The description of the data type is as follows:</p>		Number	Meaning	SD5	Data type *10	SD6	(Empty)	SD7	SD8	SD9	SD10	SD11	SD12	SD13	SD14	SD15	S (Error)	New	QnPRH			
Number	Meaning																					
SD5	Data type *10																					
SD6	(Empty)																					
SD7																						
SD8																						
SD9																						
SD10																						
SD11																						
SD12																						
SD13																						
SD14																						
SD15																						



Number	Name	Meaning	Explanation	Set by (When Set)	Corresponding ACPU D9□□□	Corresponding CPU																																																																																																						
SD16 to SD26	Error individual information	Error individual information	<ul style="list-style-type: none"> This register stores individual information corresponding to the error code stored in SD0. There are the following eight different types of information are stored. The error individual information type can be determined by "individual information category code" stored in SD4. (Values stored in "individual information category code" correspond to the following 1) to 9), 12), and 13).) <p>1) (Empty)</p> <p>2) File name/drive name</p> <table border="1"> <thead> <tr> <th>Number</th> <th>Meaning</th> <th>(Example) File name =</th> </tr> </thead> <tbody> <tr> <td>SD16</td> <td>Drive</td> <td>ABCDEFGH. IJK b15 to b8 b7 to b0</td> </tr> <tr> <td>SD17</td> <td></td> <td>42H(B) 41H(A)</td> </tr> <tr> <td>SD18</td> <td>File name</td> <td>44H(D) 43H(C)</td> </tr> <tr> <td>SD19</td> <td>(ASCII code: 8 characters)</td> <td>46H(F) 45H(E)</td> </tr> <tr> <td>SD20</td> <td></td> <td>48H(H) 47H(G)</td> </tr> <tr> <td>SD21</td> <td>Extension *6</td> <td>49H(I) 2EH(.)</td> </tr> <tr> <td>SD22</td> <td>(ASCII code: 3 characters)</td> <td>4BH(K) 4AH(J)</td> </tr> <tr> <td>SD23</td> <td></td> <td></td> </tr> <tr> <td>SD24</td> <td>(Empty)</td> <td></td> </tr> <tr> <td>SD25</td> <td></td> <td></td> </tr> <tr> <td>SD26</td> <td></td> <td></td> </tr> </tbody> </table> <p>3) Time (value actually measured)</p> <table border="1"> <thead> <tr> <th>Number</th> <th>Meaning</th> </tr> </thead> <tbody> <tr> <td>SD16</td> <td>Time : 1 μs units (0 to 999 μs)</td> </tr> <tr> <td>SD17</td> <td>Time : 1ms units (0 to 65535ms)</td> </tr> <tr> <td>SD18</td> <td></td> </tr> <tr> <td>SD19</td> <td></td> </tr> <tr> <td>SD20</td> <td></td> </tr> <tr> <td>SD21</td> <td></td> </tr> <tr> <td>SD22</td> <td>(Empty)</td> </tr> <tr> <td>SD23</td> <td></td> </tr> <tr> <td>SD24</td> <td></td> </tr> <tr> <td>SD25</td> <td></td> </tr> <tr> <td>SD26</td> <td></td> </tr> </tbody> </table> <p>4) Program error location</p> <table border="1"> <thead> <tr> <th>Number</th> <th>Meaning</th> </tr> </thead> <tbody> <tr> <td>SD16</td> <td></td> </tr> <tr> <td>SD17</td> <td>File name</td> </tr> <tr> <td>SD18</td> <td>(ASCII code: 8 characters)</td> </tr> <tr> <td>SD19</td> <td></td> </tr> <tr> <td>SD20</td> <td>Extension *6</td> </tr> <tr> <td>SD21</td> <td>(ASCII code: 3 characters)</td> </tr> <tr> <td>SD22</td> <td>Pattern *7</td> </tr> <tr> <td>SD23</td> <td>Block No.</td> </tr> <tr> <td>SD24</td> <td>Step No./transition No.</td> </tr> <tr> <td>SD25</td> <td>Sequence step No. (L)</td> </tr> <tr> <td>SD26</td> <td>Sequence step No. (H)</td> </tr> </tbody> </table> <p>*6 For extension names, refer to the table on Page 358, Appendix 3 (1) (a).</p> <p>*7 The description of the bit pattern is as follows:</p> <table border="1"> <tr> <td>15</td> <td>14</td> <td>to</td> <td>4</td> <td>3</td> <td>2</td> <td>1</td> <td>0</td> <td>← (Bit number)</td> </tr> <tr> <td>0</td> <td>0</td> <td>to</td> <td>0</td> <td>0</td> <td>*</td> <td>*</td> <td>*</td> <td></td> </tr> </table> <p>(Not used) SFC block designation present (1)/absent (0) SFC step designation present (1)/absent (0) SFC transition designation present (1)/absent (0)</p>	Number	Meaning	(Example) File name =	SD16	Drive	ABCDEFGH. IJK b15 to b8 b7 to b0	SD17		42H(B) 41H(A)	SD18	File name	44H(D) 43H(C)	SD19	(ASCII code: 8 characters)	46H(F) 45H(E)	SD20		48H(H) 47H(G)	SD21	Extension *6	49H(I) 2EH(.)	SD22	(ASCII code: 3 characters)	4BH(K) 4AH(J)	SD23			SD24	(Empty)		SD25			SD26			Number	Meaning	SD16	Time : 1 μs units (0 to 999 μs)	SD17	Time : 1ms units (0 to 65535ms)	SD18		SD19		SD20		SD21		SD22	(Empty)	SD23		SD24		SD25		SD26		Number	Meaning	SD16		SD17	File name	SD18	(ASCII code: 8 characters)	SD19		SD20	Extension *6	SD21	(ASCII code: 3 characters)	SD22	Pattern *7	SD23	Block No.	SD24	Step No./transition No.	SD25	Sequence step No. (L)	SD26	Sequence step No. (H)	15	14	to	4	3	2	1	0	← (Bit number)	0	0	to	0	0	*	*	*		S (Error)	New	QCPU LCPUCPU
Number	Meaning	(Example) File name =																																																																																																										
SD16	Drive	ABCDEFGH. IJK b15 to b8 b7 to b0																																																																																																										
SD17		42H(B) 41H(A)																																																																																																										
SD18	File name	44H(D) 43H(C)																																																																																																										
SD19	(ASCII code: 8 characters)	46H(F) 45H(E)																																																																																																										
SD20		48H(H) 47H(G)																																																																																																										
SD21	Extension *6	49H(I) 2EH(.)																																																																																																										
SD22	(ASCII code: 3 characters)	4BH(K) 4AH(J)																																																																																																										
SD23																																																																																																												
SD24	(Empty)																																																																																																											
SD25																																																																																																												
SD26																																																																																																												
Number	Meaning																																																																																																											
SD16	Time : 1 μs units (0 to 999 μs)																																																																																																											
SD17	Time : 1ms units (0 to 65535ms)																																																																																																											
SD18																																																																																																												
SD19																																																																																																												
SD20																																																																																																												
SD21																																																																																																												
SD22	(Empty)																																																																																																											
SD23																																																																																																												
SD24																																																																																																												
SD25																																																																																																												
SD26																																																																																																												
Number	Meaning																																																																																																											
SD16																																																																																																												
SD17	File name																																																																																																											
SD18	(ASCII code: 8 characters)																																																																																																											
SD19																																																																																																												
SD20	Extension *6																																																																																																											
SD21	(ASCII code: 3 characters)																																																																																																											
SD22	Pattern *7																																																																																																											
SD23	Block No.																																																																																																											
SD24	Step No./transition No.																																																																																																											
SD25	Sequence step No. (L)																																																																																																											
SD26	Sequence step No. (H)																																																																																																											
15	14	to	4	3	2	1	0	← (Bit number)																																																																																																				
0	0	to	0	0	*	*	*																																																																																																					

Number	Name	Meaning	Explanation	Set by (When Set)	Corresponding ACPU D9□□□	Corresponding CPU																					
SD16 to SD26	Error individual information	Error individual information	5) Parameter No. 6) Annunciator number / 7) CHK instruction malfunction number <table border="1"> <thead> <tr> <th>Number</th> <th>Meaning</th> <th>Number</th> <th>Meaning</th> </tr> </thead> <tbody> <tr> <td>SD16</td> <td>Parameter No. *8</td> <td>SD16</td> <td>No.</td> </tr> <tr> <td>SD17</td> <td rowspan="11">(Empty)</td> <td>SD17</td> <td rowspan="11">(Empty)</td> </tr> <tr><td>SD18</td></tr> <tr><td>SD19</td></tr> <tr><td>SD20</td></tr> <tr><td>SD21</td></tr> <tr><td>SD22</td></tr> <tr><td>SD23</td></tr> <tr><td>SD24</td></tr> <tr><td>SD25</td></tr> <tr><td>SD26</td></tr> </tbody> </table> <p>*8 For details on the parameter No., refer to the following: □ User's Manual (Function Explanation, Program Fundamentals) for the CPU module used</p>	Number	Meaning	Number	Meaning	SD16	Parameter No. *8	SD16	No.	SD17	(Empty)	SD17	(Empty)	SD18	SD19	SD20	SD21	SD22	SD23	SD24	SD25	SD26	S (Error)	New	QCPU LCPU
			Number	Meaning	Number	Meaning																					
SD16	Parameter No. *8	SD16	No.																								
SD17	(Empty)	SD17	(Empty)																								
SD18																											
SD19																											
SD20																											
SD21																											
SD22																											
SD23																											
SD24																											
SD25																											
SD26																											
8) Reason(s) for system switching failure <table border="1"> <thead> <tr> <th>Number</th> <th>Meaning</th> </tr> </thead> <tbody> <tr> <td>SD16</td> <td>System switching prohibition condition *9</td> </tr> <tr> <td>SD17</td> <td rowspan="10">(Empty)</td> </tr> <tr><td>SD18</td></tr> <tr><td>SD19</td></tr> <tr><td>SD20</td></tr> <tr><td>SD21</td></tr> <tr><td>SD22</td></tr> <tr><td>SD23</td></tr> <tr><td>SD24</td></tr> <tr><td>SD25</td></tr> <tr><td>SD26</td></tr> </tbody> </table> <p>*9 The following shows the description.</p> <div style="border: 1px solid black; width: 100px; height: 15px; margin-bottom: 5px;"></div> <ul style="list-style-type: none"> 0 : Normal switching completion (default) 1 : Tracking cable fault (cable removal, cable fault, internal circuit fault, hardware fault) 2 : Hardware failure, power OFF, reset or watchdog timer error occurring in standby system 3 : Hardware failure, power OFF, reset or watchdog timer error occurring in control system 4 : Preparing for tracking 5 : Time limit exceeded 6 : Standby system is in stop error (except watchdog timer error) 7 : Operation differs between two systems (in backup mode only) 8 : During memory copy from control system to standby system 9 : Online program change 10 : Error detected by network module of standby system 11 : System switching being executed 12 : Online module change in progress 		Number		Meaning	SD16	System switching prohibition condition *9	SD17	(Empty)	SD18	SD19	SD20	SD21	SD22	SD23	SD24	SD25	SD26	QnPRH									
Number	Meaning																										
SD16	System switching prohibition condition *9																										
SD17	(Empty)																										
SD18																											
SD19																											
SD20																											
SD21																											
SD22																											
SD23																											
SD24																											
SD25																											
SD26																											



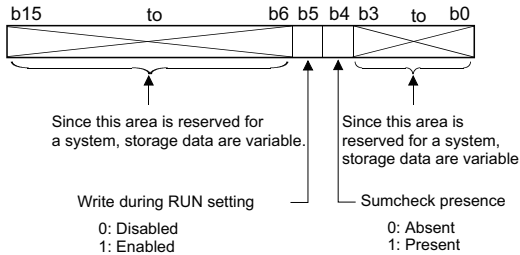
Number	Name	Meaning	Explanation	Set by (When Set)	Corresponding ACPU D9□□□	Corresponding CPU																								
SD16 to SD26	Error individual information	Error individual information	9) Failure information <table border="1" style="margin-left: 20px;"> <thead> <tr> <th>Number</th> <th>Meaning</th> </tr> </thead> <tbody> <tr><td>SD16</td><td>Failure information 1</td></tr> <tr><td>SD17</td><td>Failure information 2</td></tr> <tr><td>SD18</td><td>Failure information 3</td></tr> <tr><td>SD19</td><td>Failure information 4</td></tr> <tr><td>SD20</td><td>Failure information 5</td></tr> <tr><td>SD21</td><td>Failure information 6</td></tr> <tr><td>SD22</td><td>Failure information 7</td></tr> <tr><td>SD23</td><td>Failure information 8</td></tr> <tr><td>SD24</td><td>Failure information 9</td></tr> <tr><td>SD25</td><td>Failure information 10</td></tr> <tr><td>SD26</td><td>Failure information 11</td></tr> </tbody> </table>	Number	Meaning	SD16	Failure information 1	SD17	Failure information 2	SD18	Failure information 3	SD19	Failure information 4	SD20	Failure information 5	SD21	Failure information 6	SD22	Failure information 7	SD23	Failure information 8	SD24	Failure information 9	SD25	Failure information 10	SD26	Failure information 11	S (Error)	New	QnUDV QnUDPV LCPU
			Number	Meaning																										
			SD16	Failure information 1																										
SD17	Failure information 2																													
SD18	Failure information 3																													
SD19	Failure information 4																													
SD20	Failure information 5																													
SD21	Failure information 6																													
SD22	Failure information 7																													
SD23	Failure information 8																													
SD24	Failure information 9																													
SD25	Failure information 10																													
SD26	Failure information 11																													
12) File diagnostic information <table border="1" style="margin-left: 20px;"> <thead> <tr> <th>Number</th> <th>Meaning</th> </tr> </thead> <tbody> <tr> <td>SD16</td> <td>Failure information 1 (H) drive No. (L)</td> </tr> <tr> <td>SD17</td> <td rowspan="4">File name (ASCII: 8 characters)</td> </tr> <tr><td>SD18</td></tr> <tr><td>SD19</td></tr> <tr><td>SD20</td></tr> <tr> <td>SD21</td> <td>Extension*6 2EH(.)</td> </tr> <tr> <td>SD22</td> <td>(ASCII: 3 characters)</td> </tr> <tr> <td>SD23</td> <td>Failure information 2 (CRC value that is read)</td> </tr> <tr> <td>SD24</td> <td>Failure information 3 (CRC value that is calculated)</td> </tr> <tr> <td>SD25</td> <td></td> </tr> <tr> <td>SD26</td> <td></td> </tr> </tbody> </table> <p>*6 For extension names, refer to the table on Page 358, Appendix 3 (1) (a).</p>	Number	Meaning	SD16	Failure information 1 (H) drive No. (L)	SD17	File name (ASCII: 8 characters)	SD18	SD19	SD20	SD21	Extension*6 2EH(.)	SD22	(ASCII: 3 characters)	SD23	Failure information 2 (CRC value that is read)	SD24	Failure information 3 (CRC value that is calculated)	SD25		SD26				QnU LCPU						
Number	Meaning																													
SD16	Failure information 1 (H) drive No. (L)																													
SD17	File name (ASCII: 8 characters)																													
SD18																														
SD19																														
SD20																														
SD21	Extension*6 2EH(.)																													
SD22	(ASCII: 3 characters)																													
SD23	Failure information 2 (CRC value that is read)																													
SD24	Failure information 3 (CRC value that is calculated)																													
SD25																														
SD26																														
13) Parameter No./CPU No. <table border="1" style="margin-left: 20px;"> <thead> <tr> <th>Number</th> <th>Meaning</th> </tr> </thead> <tbody> <tr><td>SD16</td><td>Parameter No.*16</td></tr> <tr><td>SD17</td><td>CPU No. (1 to 4)</td></tr> <tr><td>SD18</td><td rowspan="10">(Empty)</td></tr> <tr><td>SD19</td></tr> <tr><td>SD20</td></tr> <tr><td>SD21</td></tr> <tr><td>SD22</td></tr> <tr><td>SD23</td></tr> <tr><td>SD24</td></tr> <tr><td>SD25</td></tr> <tr><td>SD26</td></tr> </tbody> </table> <p>*16 For details on the parameter No., refer to the following: User's Manual (Function Explanation, Program Fundamentals) for the CPU module used</p>	Number	Meaning	SD16	Parameter No.*16	SD17	CPU No. (1 to 4)	SD18	(Empty)	SD19	SD20	SD21	SD22	SD23	SD24	SD25	SD26	S (Error)		QnU											
Number	Meaning																													
SD16	Parameter No.*16																													
SD17	CPU No. (1 to 4)																													
SD18	(Empty)																													
SD19																														
SD20																														
SD21																														
SD22																														
SD23																														
SD24																														
SD25																														
SD26																														
SD50		Error reset	Error number that performs error reset	This register stores the error code where the error reset is performed.	U	New	QCPU LCPU																							
SD51	Battery low latch	Bit pattern indicating where battery voltage drop occurred	<ul style="list-style-type: none"> • If a battery voltage drops, the corresponding bit stores "1" (turns on). • This register remains on even after the battery voltage returns to normal. <div style="margin-left: 20px;"> <table style="border-collapse: collapse;"> <tr> <td style="border: 1px solid black; padding: 2px;">b15</td> <td style="padding: 0 5px;">to</td> <td style="border: 1px solid black; padding: 2px;">b3</td> <td style="padding: 0 5px;">b2</td> <td style="padding: 0 5px;">b1</td> <td style="border: 1px solid black; padding: 2px;">b0</td> </tr> <tr> <td colspan="6" style="text-align: center; padding: 2px;">0</td> </tr> <tr> <td colspan="6" style="text-align: center; padding: 5px 0 0 20px;"> </td> </tr> </table> </div> <p>*1 These bits are not available for the Basic model QCPU, High-speed Universal model QCPU, Universal model Process CPU, and LCPU. If an alarm occurs, data can be held within the time specified for battery low. The error indicates full discharge of a battery.</p>	b15	to	b3	b2	b1	b0	0												S (Error)	New	QCPU LCPU						
b15	to	b3	b2	b1	b0																									
0																														

Number	Name	Meaning	Explanation	Set by (When Set)	Corresponding ACPU D9□□□	Corresponding CPU																																																																																																																																																																																																							
SD52	Battery low	Bit pattern indicating where battery voltage drop occurred	<ul style="list-style-type: none"> This register has the same bit pattern as that of SD51. After an alarm is detected (the alarm bit turns on), the alarm bit turns off if an error is detected (the error bit turns on). (Universal model QCPU only, except the QnUDVCPU and QnUDPVCPU) This register stores "0" (turns off) when the battery voltage returns to normal. 	S (Error)	New	QCPU LCPU																																																																																																																																																																																																							
SD53	AC/DC DOWN detection	Number of times for AC/DC DOWN detection	<ul style="list-style-type: none"> A value stored in this register is incremented by 1 whenever the input voltage falls to or below 85% (AC power)/65% (DC power) of the rating during operation of the CPU module. The counter repeats increment and decrement of the value; 0 → 32767 → -32768 → 0 	S (Error)	D9005	QCPU LCPU																																																																																																																																																																																																							
SD60	Number of module with blown fuse	Number of module with blown fuse	This register stores the lowest I/O number of the module with a blown fuse.	S (Error)	D9000	QCPU LCPU ⁹																																																																																																																																																																																																							
SD61	I/O module verify error number	I/O module verify error module number	This register stores the lowest I/O number of the module where the I/O module verify error has occurred.	S (Error)	D9002	QCPU LCPU																																																																																																																																																																																																							
SD62	Annunciator number	Annunciator number	This register stores the number of the annunciator (F number) detected first.	S (Instruction execution)	D9009	QCPU LCPU																																																																																																																																																																																																							
SD63	Number of annunciators	Number of annunciators	This register stores the number of detected annunciators.	S (Instruction execution)	D9124	QCPU LCPU																																																																																																																																																																																																							
SD64	Table of detected annunciator numbers	Annunciator detection number	<p>When an annunciator (F) is turned on by the OUT F or SET F instruction, the F numbers are stored from SD64 to SD79 in chronological order.</p> <p>The number of an annunciator (F) turned off by the RST F instruction is deleted from SD64 to SD79, and F numbers stored later than the register where the deleted F number was stored are shifted upward.</p> <p>When the LEDR instruction is executed, the contents of SD64 to SD79 are shifted upward by 1. After 16 annunciators have been detected, detection of the 17th will not be stored from SD64 through SD79.</p> <div style="text-align: center;"> <table border="0"> <tr> <td></td> <td>SET</td><td>SET</td><td>SET</td><td>RST</td><td>SET</td><td>SET</td><td>SET</td><td></td> </tr> <tr> <td></td> <td>F50</td><td>F25</td><td>F99</td><td>F25</td><td>F15</td><td>F70</td><td>F65</td><td>LEDR</td> </tr> </table> <table border="1" style="border-collapse: collapse; text-align: center;"> <tr> <td>SD62</td><td>0</td><td>50</td><td>50</td><td>50</td><td>50</td><td>50</td><td>50</td><td>99</td><td>... (Number detected)</td> </tr> <tr> <td>SD63</td><td>0</td><td>1</td><td>2</td><td>3</td><td>2</td><td>3</td><td>4</td><td>5</td><td>4</td><td>... (Number of annunciators detected)</td> </tr> <tr> <td>SD64</td><td>0</td><td>50</td><td>50</td><td>50</td><td>50</td><td>50</td><td>50</td><td>99</td><td rowspan="14">} (Number detected)</td> </tr> <tr><td>SD65</td><td>0</td><td>0</td><td>25</td><td>25</td><td>99</td><td>99</td><td>99</td><td>99</td><td>15</td></tr> <tr><td>SD66</td><td>0</td><td>0</td><td>0</td><td>99</td><td>0</td><td>15</td><td>15</td><td>15</td><td>70</td></tr> <tr><td>SD67</td><td>0</td><td>0</td><td>0</td><td>0</td><td>0</td><td>0</td><td>70</td><td>70</td><td>65</td></tr> <tr><td>SD68</td><td>0</td><td>0</td><td>0</td><td>0</td><td>0</td><td>0</td><td>0</td><td>65</td><td>0</td></tr> <tr><td>SD69</td><td>0</td><td>0</td><td>0</td><td>0</td><td>0</td><td>0</td><td>0</td><td>0</td><td>0</td></tr> <tr><td>SD70</td><td>0</td><td>0</td><td>0</td><td>0</td><td>0</td><td>0</td><td>0</td><td>0</td><td>0</td></tr> <tr><td>SD71</td><td>0</td><td>0</td><td>0</td><td>0</td><td>0</td><td>0</td><td>0</td><td>0</td><td>0</td></tr> <tr><td>SD72</td><td>0</td><td>0</td><td>0</td><td>0</td><td>0</td><td>0</td><td>0</td><td>0</td><td>0</td></tr> <tr><td>SD73</td><td>0</td><td>0</td><td>0</td><td>0</td><td>0</td><td>0</td><td>0</td><td>0</td><td>0</td></tr> <tr><td>SD74</td><td>0</td><td>0</td><td>0</td><td>0</td><td>0</td><td>0</td><td>0</td><td>0</td><td>0</td></tr> <tr><td>SD75</td><td>0</td><td>0</td><td>0</td><td>0</td><td>0</td><td>0</td><td>0</td><td>0</td><td>0</td></tr> <tr><td>SD76</td><td>0</td><td>0</td><td>0</td><td>0</td><td>0</td><td>0</td><td>0</td><td>0</td><td>0</td></tr> <tr><td>SD77</td><td>0</td><td>0</td><td>0</td><td>0</td><td>0</td><td>0</td><td>0</td><td>0</td><td>0</td></tr> <tr><td>SD78</td><td>0</td><td>0</td><td>0</td><td>0</td><td>0</td><td>0</td><td>0</td><td>0</td><td>0</td></tr> <tr><td>SD79</td><td>0</td><td>0</td><td>0</td><td>0</td><td>0</td><td>0</td><td>0</td><td>0</td><td>0</td></tr> </table> </div>		SET	SET	SET	RST	SET	SET	SET			F50	F25	F99	F25	F15	F70	F65	LEDR	SD62	0	50	50	50	50	50	50	99	... (Number detected)	SD63	0	1	2	3	2	3	4	5	4	... (Number of annunciators detected)	SD64	0	50	50	50	50	50	50	99	} (Number detected)	SD65	0	0	25	25	99	99	99	99	15	SD66	0	0	0	99	0	15	15	15	70	SD67	0	0	0	0	0	0	70	70	65	SD68	0	0	0	0	0	0	0	65	0	SD69	0	0	0	0	0	0	0	0	0	SD70	0	0	0	0	0	0	0	0	0	SD71	0	0	0	0	0	0	0	0	0	SD72	0	0	0	0	0	0	0	0	0	SD73	0	0	0	0	0	0	0	0	0	SD74	0	0	0	0	0	0	0	0	0	SD75	0	0	0	0	0	0	0	0	0	SD76	0	0	0	0	0	0	0	0	0	SD77	0	0	0	0	0	0	0	0	0	SD78	0	0	0	0	0	0	0	0	0	SD79	0	0	0	0	0	0	0	0	0	S (Instruction execution)	D9125	QCPU LCPU
				SET	SET	SET	RST	SET	SET	SET																																																																																																																																																																																																			
				F50	F25	F99	F25	F15	F70	F65	LEDR																																																																																																																																																																																																		
SD62				0	50	50	50	50	50	50	99	... (Number detected)																																																																																																																																																																																																	
SD63				0	1	2	3	2	3	4	5	4	... (Number of annunciators detected)																																																																																																																																																																																																
SD64				0	50	50	50	50	50	50	99	} (Number detected)																																																																																																																																																																																																	
SD65				0	0	25	25	99	99	99	99		15																																																																																																																																																																																																
SD66				0	0	0	99	0	15	15	15		70																																																																																																																																																																																																
SD67				0	0	0	0	0	0	70	70		65																																																																																																																																																																																																
SD68				0	0	0	0	0	0	0	65		0																																																																																																																																																																																																
SD69				0	0	0	0	0	0	0	0		0																																																																																																																																																																																																
SD70				0	0	0	0	0	0	0	0		0																																																																																																																																																																																																
SD71				0	0	0	0	0	0	0	0		0																																																																																																																																																																																																
SD72				0	0	0	0	0	0	0	0		0																																																																																																																																																																																																
SD73	0	0	0	0	0	0	0	0	0																																																																																																																																																																																																				
SD74	0	0	0	0	0	0	0	0	0																																																																																																																																																																																																				
SD75	0	0	0	0	0	0	0	0	0																																																																																																																																																																																																				
SD76	0	0	0	0	0	0	0	0	0																																																																																																																																																																																																				
SD77	0	0	0	0	0	0	0	0	0																																																																																																																																																																																																				
SD78	0	0	0	0	0	0	0	0	0																																																																																																																																																																																																				
SD79	0	0	0	0	0	0	0	0	0																																																																																																																																																																																																				
SD65	D9126																																																																																																																																																																																																												
SD66	D9127																																																																																																																																																																																																												
SD67	D9128																																																																																																																																																																																																												
SD68	D9129																																																																																																																																																																																																												
SD69	D9130																																																																																																																																																																																																												
SD70	D9131																																																																																																																																																																																																												
SD71	D9132																																																																																																																																																																																																												
SD72																																																																																																																																																																																																													
SD73																																																																																																																																																																																																													
SD74																																																																																																																																																																																																													
SD75																																																																																																																																																																																																													
SD76																																																																																																																																																																																																													
SD77																																																																																																																																																																																																													
SD78																																																																																																																																																																																																													
SD79					New																																																																																																																																																																																																								
SD80	CHK number	CHK number	Error codes detected by the CHK instruction are stored as BCD code.	S (Instruction execution)	New	Qn(H) QnPH QnPRH																																																																																																																																																																																																							



Appendix 3 List of Special Register Areas

Number	Name	Meaning	Explanation	Set by (When Set)	Corresponding ACPU D9□□□	Corresponding CPU	
SD81	Continuation error cause	Continuation error cause	<p>This register stores a continuation error cause.</p> <p>• QnUDV¹⁰ and QnUDPV¹⁰: The b9 is fixed to 0. • LCPU: The b14 and b15 are fixed to 0.</p>	S (Error)	New	QnUDV ¹⁰ QnUDPV ¹⁰ LCPU	
SD82	Continuation error cause	Continuation error cause	<p>This register stores a continuation error cause.</p> <p>(1)UNIT VERIFY ERR. (2)MULTI CPU ERROR (3)Fixed to 0 • LCPU: All bits are fixed to 0.</p>	S (Error)	New	QnUDV ¹⁰ QnUDPV ¹⁰ LCPU ¹⁰	
			<p>This register stores a continuation error cause.</p> <p>(1)UNIT VERIFY ERR. (2)MULTI CPU ERROR (3)PID ERROR (4)Fixed to 0 • LCPU: The b0 and b1 are fixed to 0.</p>			QnUDV ⁹ QnUDPV ⁹ LCPU ⁹	
SD84	Continuation error clear	Continuation error clear	<p>This register stores a continuation error to be cleared in bit pattern. For the LCPU, all bits are empty.</p>	U	New	QnUDV QnUDPV LCPU	
SD85							
SD90	Step transition monitoring timer setting value (Enabled only when SFC program exists)	F number for timer set value and time over error	Corresponds to SM90	<p>• This register stores a value set for step transition monitoring timer and the number of an annunciator (F) that turns on if the monitoring timer times out.</p> <p>• Turning on any of SM90 to SM99 while a step is running will start the timer, and if the transition condition for the step next to the active step is not met within the timer limit, the set annunciator (F) turns on.</p>	U	D9108	Qn(H) QnPH QnPRH
SD91			Corresponds to SM91			D9109	
SD92			Corresponds to SM92			D9110	
SD93			Corresponds to SM93			D9111	
SD94			Corresponds to SM94			D9112	
SD95			Corresponds to SM95			D9113	
SD96			Corresponds to SM96			D9114	
SD97			Corresponds to SM97			New	
SD98			Corresponds to SM98				
SD99			Corresponds to SM99				

Number	Name	Meaning	Explanation	Set by (When Set)	Corresponding ACPU D9□□□	Corresponding CPU
SD100	Transmission speed storage area	Transmission speed set in parameter	This register stores the transmission speed set in parameter when the serial communication function is used. 12: 1200bps, 24: 2400bps, 48: 4800bps, 96: 9600bps, 192: 19200bps, 384: 38400bps, 576: 57600bps, 1152: 115200bps	S (Power-ON or reset)	New	Q00/Q01 QnU ^{*4} LCPU ^{*7}
SD101	Communication setting storage area	Communication setting set in parameter	This register stores the communication setting set in parameter when the serial communication function is used. 	S (Power-ON or reset)	New	Q00/Q01 QnU ^{*4} LCPU ^{*7}
SD102	Transmission wait time storage area	Transmission wait time set in parameter	This register stores the transmission wait time set in parameter when the serial communication function is used. 0: No waiting time 10 to 150: Waiting time (unit: ms) Default: 0	S (Power-ON or reset)	New	Q00/Q01 QnU ^{*4} LCPU ^{*7}
SD105	CH1 transmission speed setting (RS-232)	Transmission speed (RS-232)	This register stores a transmission speed. (If no external device is connected, the default value, 1152, is stored.) 96: 9600bps, 192: 19200bps, 384: 38400bps, 576: 57600bps, 1152: 115200bps	S	New	Qn(H) QnPH QnPRH
			This register stores a transmission speed. (If no external device is connected, the default value, 1152, is stored.) This register stores a transmission speed set in parameter when the serial communication function is used ^{*8} . 96: 9600bps, 192: 19200bps, 384: 38400bps, 576: 57600bps, 1152: 115200bps	S	New	QnU ^{*3}
			This register stores a transmission speed. (When the L02SCPU, L02SCPU-P, or RS-232 adapter is used, the default value, 1152, is stored.) This register stores a transmission speed set in parameter when the serial communication function is used. 96: 9600bps, 192: 19200bps, 384: 38400bps, 576: 57600bps, 1152: 115200bps	S	New	LCPU
SD110	Data sending result storage area	Data sending result	This register stores the error code if an error occurs during data transmission when the serial communication function is used.	S (Error)	New	Q00/Q01 QnU ^{*4} LCPU ^{*7}
SD111	Data receiving result storage area	Data receiving result	This register stores the error code if an error occurs during data reception when the serial communication function is used.	S (Error)	New	Q00/Q01 QnU ^{*4} LCPU ^{*7}
SD118	Amount of battery consumption	Amount of battery consumption	This register stores a battery consumption rate. [Value range] • 1 or 2: Q00UJCPU, Q00UCPU, Q01UCPU, Q02UCPU, Q03UD(E)CPU, Q04UD(E)HCPU, L02SCPU, L02SCPU-P, L02CPU, L02CPU-P • 1 to 3: Q06UD(E)HCPU, L06CPU, L06CPU-P, L26CPU, L26CPU-P, L26CPU-BT, L26CPU-PBT • 1 to 4: Q10UD(E)HCPU, Q20UD(E)HCPU, Q13UD(E)HCPU, Q26UD(E)HCPU • 1 to 5: Q50UDEHCPU, Q100UDEHCPU	S (Status change)	New	QnU (except the QnUDV and QnUDPV) LCPU

A

Appendix 3 List of Special Register Areas

Number	Name	Meaning	Explanation	Set by (When Set)	Corresponding ACPU D9□□□	Corresponding CPU																																																																				
SD119	Battery life-prolonging factor	Battery life-prolonging factor	<p>This register stores a value indicating a cause that has the battery life-prolonging function enabled. While this register is other than "0", the battery life-prolonging function is enabled.</p>	S (Status change)	New	QnU (except the QnUDV and QnUDPV) LCPU																																																																				
SD130 to SD137	Fuse blown module	<p>Bit pattern in units of 16 points, indicating the modules whose fuses have blown</p> <p>0: No blown fuse 1: Blown fuse present</p>	<p>• This register stores the number of a fuse-blown output module (in units of 16 points) in the following bit pattern. (If the module numbers are set by parameter, the parameter-set numbers are stored.)</p> <table border="1"> <tr> <td></td> <td>b15</td><td>b14</td><td>b13</td><td>b12</td><td>b11</td><td>b10</td><td>b9</td><td>b8</td><td>b7</td><td>b6</td><td>b5</td><td>b4</td><td>b3</td><td>b2</td><td>b1</td><td>b0</td> </tr> <tr> <td>SD130</td> <td>0</td><td>0</td><td>0</td><td>1 (YCD)</td><td>0</td><td>0</td><td>0</td><td>1 (Y80)</td><td>0</td><td>0</td><td>0</td><td>0</td><td>0</td><td>0</td><td>0</td><td>0</td> </tr> <tr> <td>SD131</td> <td>1 (Y1F0)</td><td>0</td><td>0</td><td>0</td><td>0</td><td>1 (Y1A0)</td><td>0</td><td>0</td><td>0</td><td>0</td><td>0</td><td>0</td><td>0</td><td>0</td><td>0</td><td>0</td> </tr> <tr> <td>SD137</td> <td>0</td><td>0</td><td>0</td><td>0</td><td>1 (Y7B0)</td><td>0</td><td>0</td><td>0</td><td>0</td><td>0</td><td>0</td><td>0</td><td>1 (Y730)</td><td>0</td><td>0</td><td>0</td> </tr> </table> <p>↑ Indicates a fuse blown state.</p> <p>For a module whose number of output points exceeds 16 points, only the bit corresponding to the output module number within the number of output points occupied by the module (in increments of 16 points) turns on. Example: When a 64-point module is mounted on the slot 0, only b0 turns on when the fuse has blown.</p> <p>• Not cleared even if the blown fuse is replaced with a new one. The storage value is cleared by clearing the error.</p>		b15	b14	b13	b12	b11	b10	b9	b8	b7	b6	b5	b4	b3	b2	b1	b0	SD130	0	0	0	1 (YCD)	0	0	0	1 (Y80)	0	0	0	0	0	0	0	0	SD131	1 (Y1F0)	0	0	0	0	1 (Y1A0)	0	0	0	0	0	0	0	0	0	0	SD137	0	0	0	0	1 (Y7B0)	0	0	0	0	0	0	0	1 (Y730)	0	0	0	S (Error)	New	Q00J/Q00/Q01
	b15	b14	b13	b12	b11	b10	b9	b8	b7	b6	b5	b4	b3	b2	b1	b0																																																										
SD130	0	0	0	1 (YCD)	0	0	0	1 (Y80)	0	0	0	0	0	0	0	0																																																										
SD131	1 (Y1F0)	0	0	0	0	1 (Y1A0)	0	0	0	0	0	0	0	0	0	0																																																										
SD137	0	0	0	0	1 (Y7B0)	0	0	0	0	0	0	0	1 (Y730)	0	0	0																																																										
SD150 to SD157	I/O module verification error	<p>Bit pattern, in units of 16 points, indicating the modules with verify errors.</p> <p>0: No error 1: Error</p>	<p>• If the status of the I/O module changes from that obtained at power-on, the module No. (unit: 16 points) is stored in the following bit pattern. (When I/O module numbers have been set by the parameter, the parameter-set numbers are stored.)</p> <table border="1"> <tr> <td></td> <td>b15</td><td>b14</td><td>b13</td><td>b12</td><td>b11</td><td>b10</td><td>b9</td><td>b8</td><td>b7</td><td>b6</td><td>b5</td><td>b4</td><td>b3</td><td>b2</td><td>b1</td><td>b0</td> </tr> <tr> <td>SD150</td> <td>0</td><td>0</td><td>0</td><td>0</td><td>0</td><td>0</td><td>0</td><td>0</td><td>0</td><td>0</td><td>0</td><td>0</td><td>0</td><td>0</td><td>0</td><td>1 (X₀Y₀)</td> </tr> <tr> <td>SD151</td> <td>0</td><td>0</td><td>0</td><td>0</td><td>0</td><td>0</td><td>1 (X₁Y₁)</td><td>0</td><td>0</td><td>0</td><td>0</td><td>0</td><td>0</td><td>0</td><td>0</td><td>0</td> </tr> <tr> <td>SD157</td> <td>0</td><td>1 (X₇Y₇)</td><td>0</td><td>0</td><td>0</td><td>0</td><td>0</td><td>0</td><td>0</td><td>0</td><td>0</td><td>0</td><td>0</td><td>0</td><td>0</td><td>0</td> </tr> </table> <p>↑ Indicates an I/O module verify error.</p> <p>For a module whose number of I/O points exceeds 16 points, only the bit corresponding to the I/O module number within the number of I/O points occupied by the module (in increments of 16 points) turns on. Example: When a 64-point module is mounted on the slot 0, only b0 turns on when an error is detected.</p> <p>• Not cleared even if the blown fuse is replaced with a new one. The storage value is cleared by clearing the error.</p>		b15	b14	b13	b12	b11	b10	b9	b8	b7	b6	b5	b4	b3	b2	b1	b0	SD150	0	0	0	0	0	0	0	0	0	0	0	0	0	0	0	1 (X ₀ Y ₀)	SD151	0	0	0	0	0	0	1 (X ₁ Y ₁)	0	0	0	0	0	0	0	0	0	SD157	0	1 (X ₇ Y ₇)	0	0	0	0	0	0	0	0	0	0	0	0	0	0	S (Error)	New	Q00J/Q00/Q01
	b15	b14	b13	b12	b11	b10	b9	b8	b7	b6	b5	b4	b3	b2	b1	b0																																																										
SD150	0	0	0	0	0	0	0	0	0	0	0	0	0	0	0	1 (X ₀ Y ₀)																																																										
SD151	0	0	0	0	0	0	1 (X ₁ Y ₁)	0	0	0	0	0	0	0	0	0																																																										
SD157	0	1 (X ₇ Y ₇)	0	0	0	0	0	0	0	0	0	0	0	0	0	0																																																										
SD180	Latest volume of IP packet transferred data (lower digits)	Latest volume of IP packet transferred data (lower digits)	<p>The latest value of total IP packet size (byte), which was transferred per unit time (1 second), is stored. Range: 0 to 4294967295 (FFFFFFFF₁₆)</p>	S (Status change)	New	QnU* ⁵ LCPU* ⁶																																																																				
SD181	Latest volume of IP packet transferred data (upper digits)	Latest volume of IP packet transferred data (upper digits)																																																																								

Number	Name	Meaning	Explanation	Set by (When Set)	Corresponding ACPU D9□□□	Corresponding CPU
SD182	Maximum volume of IP packet transferred data	Maximum volume of IP packet transferred data (lower digits)	The maximum value of total IP packet size (byte), which was transferred per unit time (1 second), is stored. Range: 0 to 4294967295 (FFFFFFFF _H)	S (Status change)	New	QnU ^{*5} LCPU ^{*6}
SD183		Maximum volume of IP packet transferred data (upper digits)				

- *1 Modules whose serial number (first five digits) is "07032" or later
- *2 Modules whose serial number (first five digits) is "10042" or later
- *3 Modules having an RS-232 connector (excluding the Q00UJCPU, Q00UCPU, and Q01UCPU)
- *4 The following modules having an RS-232 connector support these areas:
 - Universal model QCPU whose serial number (first five digits) is "13062" or later (For the Q02UCPU, the serial number (first five digits) must be "10102" or later.)
 - Q00UJCPU, Q00UCPU, Q01UCPU
- *5 Built-in Ethernet port QCPU whose serial number (first five digits) is "14022" or later
- *6 Built-in Ethernet port LCPU whose serial number (first five digits) is "14112" or later
- *7 Built-in Ethernet port LCPU whose serial number (first five digits) is "15102" or later
- *8 The following modules having an RS-232 connector support these areas:
 - Universal model QCPU whose serial number (first five digits) is "13062" or later (For the Q02UCPU, the serial number (first five digits) must be "10102" or later.)
- *9 Modules whose serial number (first five digits) is "16112" or later
- *10 Modules whose serial number (first five digits) is "16111" or earlier



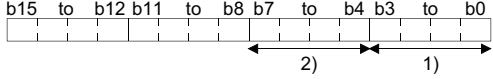
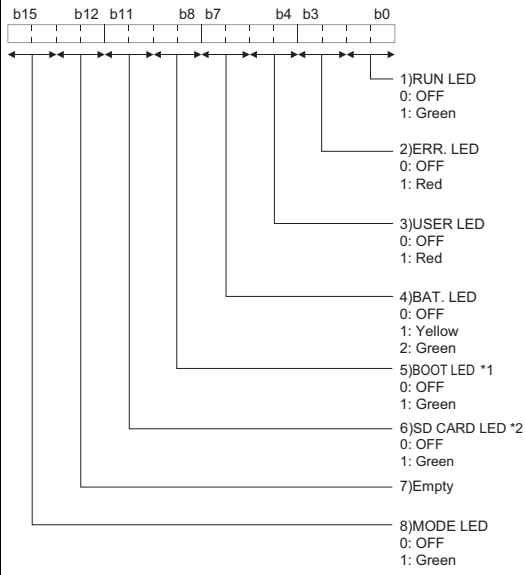
(2) System information

Number	Name	Meaning	Explanation	Set by (When Set)	Corresponding ACPU D9□□□	Corresponding CPU								
SD200	Status of switch	Status of CPU switch	<p>• This register stores the status of the CPU module switches in the following bit pattern.</p> <table border="1"> <tr> <td>0: RUN</td> <td>1: STOP</td> </tr> <tr> <td>1): CPU switch status</td> <td>2: L.CLR</td> </tr> </table> <table border="1"> <tr> <td>2): Memory card switch</td> <td>Always OFF</td> </tr> </table> <table border="1"> <tr> <td>3): DIP switch</td> <td>b8 through b12 correspond to SW1 through SW5 of system setting switch 1. 0: OFF, 1: ON. b13 through b15 are empty.</td> </tr> </table>	0: RUN	1: STOP	1): CPU switch status	2: L.CLR	2): Memory card switch	Always OFF	3): DIP switch	b8 through b12 correspond to SW1 through SW5 of system setting switch 1. 0: OFF, 1: ON. b13 through b15 are empty.	S (Every END processing)		Qn(H) QnPH QnPRH
			0: RUN	1: STOP										
			1): CPU switch status	2: L.CLR										
			2): Memory card switch	Always OFF										
3): DIP switch	b8 through b12 correspond to SW1 through SW5 of system setting switch 1. 0: OFF, 1: ON. b13 through b15 are empty.													
<p>This register stores the status of the CPU module switches in the following bit pattern.</p> <table border="1"> <tr> <td>0: RUN</td> <td>1: STOP</td> </tr> <tr> <td>1): CPU switch status</td> <td></td> </tr> </table> <table border="1"> <tr> <td>2): Memory card switch</td> <td>Always OFF</td> </tr> </table>	0: RUN	1: STOP	1): CPU switch status		2): Memory card switch	Always OFF	Q00J/Q00/Q01							
0: RUN	1: STOP													
1): CPU switch status														
2): Memory card switch	Always OFF													
<p>This register stores the status of the CPU module switches in the following bit pattern.</p> <table border="1"> <tr> <td>0: RUN</td> <td>1: STOP</td> </tr> <tr> <td>1): CPU switch status</td> <td></td> </tr> </table> <table border="1"> <tr> <td>2): Memory card switch</td> <td>Always OFF</td> </tr> </table>	0: RUN	1: STOP	1): CPU switch status		2): Memory card switch	Always OFF	QnU (except the QnUDV and QnUDPV)							
0: RUN	1: STOP													
1): CPU switch status														
2): Memory card switch	Always OFF													
<p>This register stores the status of the CPU module switches in the following bit pattern.</p> <table border="1"> <tr> <td>0: RUN</td> <td>1: STOP</td> </tr> <tr> <td>1): CPU switch status</td> <td></td> </tr> </table> <table border="1"> <tr> <td>2): SD memory card lock switch</td> <td>0: OFF 1: ON</td> </tr> </table>	0: RUN	1: STOP	1): CPU switch status		2): SD memory card lock switch	0: OFF 1: ON	S (when RUN/STOP /RESET switch changed)	QnUDV QnUDPV						
0: RUN	1: STOP													
1): CPU switch status														
2): SD memory card lock switch	0: OFF 1: ON													
			<p>This register stores the status of the CPU module switches in the following bit pattern.</p> <table border="1"> <tr> <td>0: RUN</td> <td>1: STOP</td> </tr> <tr> <td>1): CPU switch status</td> <td></td> </tr> </table> <table border="1"> <tr> <td>2): SD memory card switch *1</td> <td>0: Not usable 1: Usable</td> </tr> </table> <p>*1 For the L02SCPU and L02SCPU-P, 2) is fixed at "0".</p>	0: RUN	1: STOP	1): CPU switch status		2): SD memory card switch *1	0: Not usable 1: Usable		LCPU			
0: RUN	1: STOP													
1): CPU switch status														
2): SD memory card switch *1	0: Not usable 1: Usable													

Number	Name	Meaning	Explanation	Set by (When Set)	Corresponding ACPU D9□□□	Corresponding CPU
SD201	LED status	Status of CPU-LED	<ul style="list-style-type: none"> This register stores the LED status information on the CPU module in the following bit pattern. 0 is off, 1 is on, and 2 is flashing. <p>1): RUN, 2): ERR., 3): USER^{*1}, 4): BAT.^{*1}, 5): BOOT^{*1}, 6): Empty^{*1}, 7): Empty^{*1}, 8): MODE^{*1} (0: Off, 1: Green, 2: Orange)</p> <p>^{*1} For the Basic model QCPU, 3) to 8) are left empty.</p>	S (Status change)	New	Q00J/Q00/Q01 Qn(H) QnPH QnPRH
			<ul style="list-style-type: none"> This register stores the LED status information on the CPU module in the following bit pattern. 0 is off, 1 is on, and 2 is flashing. <p>1): RUN, 2): ERR., 3): USER, 4): BAT., 5): BOOT^{*1}, 6): SD CARD^{*2}, 7): Empty, 8): MODE</p> <p>^{*1} For the Q00UJCPU, Q00UCPU, and Q01UCPU, 5) is left empty. ^{*2} For the CPU module other than the QnUDVCP and QnUDPVCPU, 6) is left empty.</p>			QnU
			<ul style="list-style-type: none"> This register stores the LED status information on the CPU module in the following bit pattern. 0 is off, 1 is on, and 2 is flashing. <p>1): RUN, 2): ERR., 3): USER, 4): BAT., 5): Empty, 6): Empty, 7): I/O ERR., 8): MODE</p>			LCPU
SD202	LED off command	Bit pattern of LED that is turned off	<ul style="list-style-type: none"> By specifying the LEDs in this register and turning SM202 from off to on, the LEDs can be turned off. The USER and BOOT^{*1} LEDs can be specified. The LED to be turned off can be specified in the following bit pattern. (Setting "1" turns off the LED and setting "0" does not turn off the LED.) <p>^{*1} For the Q00UJCPU, Q00UCPU, and Q01UCPU, the BOOT LED cannot be specified.</p>	U	New	Qn(H) QnPH QnPRH QnU
			<ul style="list-style-type: none"> By specifying the LEDs in this register and turning SM202 from off to on, the LEDs can be turned off. The USER LED can be specified. The LED to be turned off can be specified in the following bit pattern. (Setting "1" turns off the LED and setting "0" does not turn off the LED.) 			LCPU

A

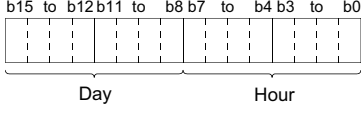
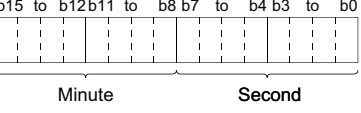
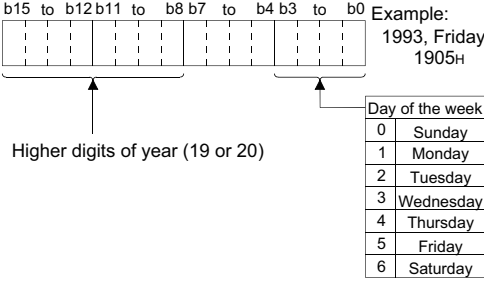
Appendix 3 List of Special Register Areas

Number	Name	Meaning	Explanation	Set by (When Set)	Corresponding ACPU D9□□□	Corresponding CPU																
SD203	Operating status of CPU	Operating status of CPU	<p>This register stores the operating status of the CPU module in the following bit pattern.</p>  <table border="1" data-bbox="507 459 1024 660"> <tr> <td>1): Operating status of CPU</td> <td>0: RUN</td> </tr> <tr> <td></td> <td>2: STOP</td> </tr> <tr> <td></td> <td>3: PAUSE</td> </tr> <tr> <td>2): STOP/PAUSE cause *1</td> <td>0: Switch</td> </tr> <tr> <td></td> <td>1: Remote contact</td> </tr> <tr> <td></td> <td>2: Remote operation from programming tool/serial communication, etc.</td> </tr> <tr> <td></td> <td>3: Internal program instruction</td> </tr> <tr> <td></td> <td>4: Error</td> </tr> </table> <p>*1 The item detected first is stored. (However, for the Universal model QCPU and LCPU, the latest cause after operation status change is stored.)</p>	1): Operating status of CPU	0: RUN		2: STOP		3: PAUSE	2): STOP/PAUSE cause *1	0: Switch		1: Remote contact		2: Remote operation from programming tool/serial communication, etc.		3: Internal program instruction		4: Error	S (Every END processing)	D9015 format change	QCPU LCPU
1): Operating status of CPU	0: RUN																					
	2: STOP																					
	3: PAUSE																					
2): STOP/PAUSE cause *1	0: Switch																					
	1: Remote contact																					
	2: Remote operation from programming tool/serial communication, etc.																					
	3: Internal program instruction																					
	4: Error																					
SD204	LED display color	CPU-LED display color	<p>The LED display color of the LED status shown in SD201 1) to 8).</p>  <p>1)RUN LED 0: OFF 1: Green</p> <p>2)ERR. LED 0: OFF 1: Red</p> <p>3)USER LED 0: OFF 1: Red</p> <p>4)BAT. LED 0: OFF 1: Yellow 2: Green</p> <p>5)BOOT LED *1 0: OFF 1: Green</p> <p>6)SD CARD LED *2 0: OFF 1: Green</p> <p>7)Empty</p> <p>8)MODE LED 0: OFF 1: Green</p> <p>*1 For the Q00UJCPU, Q00UCPU, and Q01UCPU, 5) is left empty.</p> <p>*2 For the CPU module other than the QnUDVCP and QnUDPVCPU, 6) is left empty.</p>	S (Status change)	New	QnU																

Number	Name	Meaning	Explanation	Set by (When Set)	Corresponding ACPU D9□□□	Corresponding CPU																
SD204	LED display color	CPU-LED display color	<p>The LED display color of the LED status shown in SD201 1) to 8).</p> <p>1)RUN LED 0: OFF 1: Green</p> <p>2)ERROR LED 0: OFF 1: Red</p> <p>3)USER LED 0: OFF 1: Red</p> <p>4)BAT. LED 0: OFF 1: Yellow 2: Green</p> <p>5)Empty</p> <p>6)Empty</p> <p>7)I/O ERR. LED 0: OFF 1: Red</p> <p>8)MODE LED 0: OFF 1: Green</p>	S (Status change)	New	LCPU																
SD207	LED display priority ranking	Priorities 1 to 4	<ul style="list-style-type: none"> The priority of the LED indication in the case of an error is set by a cause number. (For the Basic model QCPU, only the annunciator (cause number 7) is available.) For the Universal model QCPU and LCPU, specify whether to enable or disable LED indication of the error that has priority when an error occurs. The setting areas for priorities are as follows: <table border="1"> <tr> <td>b15 to b12</td> <td>b11 to b8</td> <td>b7 to b4</td> <td>b3 to b0</td> </tr> <tr> <td>SD207</td> <td>Priority 4 Priority 3 Priority 2 Priority 1</td> <td></td> <td></td> </tr> <tr> <td>SD208</td> <td>Priority 8 Priority 7 Priority 6 Priority 5</td> <td></td> <td></td> </tr> <tr> <td>SD209</td> <td>Priority 12 Priority 11 Priority 10 Priority 9</td> <td></td> <td></td> </tr> </table> <p>(Priority 11 is valid when Redundant CPU is used.) (Priority 12 is valid when LCPU is used.)</p> <p>[Default value] SD207 = 4321_H (0000_H for Basic model QCPU) SD208 = 8765_H (0700_H for Basic model QCPU) (0765_H for Redundant CPU) SD209 = 00A9_H (0000_H for Basic model QCPU) (0B09_H for Redundant CPU, CBA9_H for LCPU)</p> <ul style="list-style-type: none"> No indication if "0" is stored. For the Basic model QCPU, the ERR. LED lights up upon turn-on of the annunciator, if "7" is stored in any of Priorities 1 to 11. For the Basic model QCPU, the ERR. LED does not light up upon turn-on of the annunciator, if "7" is not stored in any of Priorities 1 to 11. However, even if "7" is stored, the error, which makes CPU module operation stop (including the error that is specified with a parameter), will be indicated with the LED without condition. 	b15 to b12	b11 to b8	b7 to b4	b3 to b0	SD207	Priority 4 Priority 3 Priority 2 Priority 1			SD208	Priority 8 Priority 7 Priority 6 Priority 5			SD209	Priority 12 Priority 11 Priority 10 Priority 9			U	D9038	Q00J/Q00/Q01* ¹ Qn(H) QnPH QnPRH QnU LCPU
b15 to b12		b11 to b8		b7 to b4	b3 to b0																	
SD207		Priority 4 Priority 3 Priority 2 Priority 1																				
SD208	Priority 8 Priority 7 Priority 6 Priority 5																					
SD209	Priority 12 Priority 11 Priority 10 Priority 9																					
SD208	Priorities 5 to 8	D9039 format change																				
SD209	Priorities 9 to 12	New																				
SD210	Clock data	Clock data (year, month)	<p>This register stores the year (last two digits) and month in BCD as shown below.</p> <p>Example: July, 1993 9307_H</p>	S (Request)/ U	D9025	QCPU LCPU																



Appendix 3 List of Special Register Areas

Number	Name	Meaning	Explanation	Set by (When Set)	Corresponding ACPU D9□□□	Corresponding CPU																											
SD211	Clock data	Clock data (day, hour)	This register stores the day and hour in BCD as shown below. <div style="display: flex; align-items: center;"> <div style="margin-right: 10px;"> b15 to b12 b11 to b8 b7 to b4 b3 to b0 </div> <div style="margin-right: 10px;">Example:</div> <div style="margin-right: 10px;">31st, 10 a.m.</div> <div>3110_H</div> </div> 	S (Request)/ U	D9026	QCPU LCPU																											
SD212	Clock data	Clock data (minute, second)	This register stores the minute and the second in BCD as shown below. <div style="display: flex; align-items: center;"> <div style="margin-right: 10px;">b15 to b12 b11 to b8 b7 to b4 b3 to b0</div> <div style="margin-right: 10px;">Example:</div> <div style="margin-right: 10px;">35 min, 48 s</div> <div>3548_H</div> </div> 	S (Request)/ U	D9027	QCPU LCPU																											
SD213	Clock data	Clock data (higher digits of year, day of week)	This register stores the year (first two digits) and day of week in BCD as shown below. <div style="display: flex; align-items: center;"> <div style="margin-right: 10px;">b15 to b12 b11 to b8 b7 to b4 b3 to b0</div> <div style="margin-right: 10px;">Example:</div> <div style="margin-right: 10px;">1993, Friday</div> <div>1905_H</div> </div>  <table border="1" style="margin-left: 20px; margin-top: 10px;"> <thead> <tr> <th colspan="2">Day of the week</th> </tr> </thead> <tbody> <tr><td>0</td><td>Sunday</td></tr> <tr><td>1</td><td>Monday</td></tr> <tr><td>2</td><td>Tuesday</td></tr> <tr><td>3</td><td>Wednesday</td></tr> <tr><td>4</td><td>Thursday</td></tr> <tr><td>5</td><td>Friday</td></tr> <tr><td>6</td><td>Saturday</td></tr> </tbody> </table>	Day of the week		0	Sunday	1	Monday	2	Tuesday	3	Wednesday	4	Thursday	5	Friday	6	Saturday	S (Request)/ U	D9028	QCPU LCPU											
Day of the week																																	
0	Sunday																																
1	Monday																																
2	Tuesday																																
3	Wednesday																																
4	Thursday																																
5	Friday																																
6	Saturday																																
SD220	LED display data	LED display data	<ul style="list-style-type: none"> • LED display ASCII data (16 characters) stored here. For the Basic model QCPU, an error message (up to 16 ASCII characters) is stored. (Including a message for the case the annunciator is on) <div style="display: flex; align-items: center; margin-top: 10px;"> <div style="margin-right: 10px;">b15 to b8 b7 to b0</div> <table border="1" style="border-collapse: collapse;"> <thead> <tr> <th></th> <th>b15 to b8</th> <th>b7 to b0</th> </tr> </thead> <tbody> <tr><td>SD220</td><td>15th character from the right</td><td>16th character from the right</td></tr> <tr><td>SD221</td><td>13th character from the right</td><td>14th character from the right</td></tr> <tr><td>SD222</td><td>11th character from the right</td><td>12th character from the right</td></tr> <tr><td>SD223</td><td>9th character from the right</td><td>10th character from the right</td></tr> <tr><td>SD224</td><td>7th character from the right</td><td>8th character from the right</td></tr> <tr><td>SD225</td><td>5th character from the right</td><td>6th character from the right</td></tr> <tr><td>SD226</td><td>3rd character from the right</td><td>4th character from the right</td></tr> <tr><td>SD227</td><td>1st character from the right</td><td>2nd character from the right</td></tr> </tbody> </table> </div> <ul style="list-style-type: none"> • For the Basic model QCPU, Universal model QCPU or LCPU, HMI data at the time of CHK instruction execution are not stored. 		b15 to b8	b7 to b0	SD220	15th character from the right	16th character from the right	SD221	13th character from the right	14th character from the right	SD222	11th character from the right	12th character from the right	SD223	9th character from the right	10th character from the right	SD224	7th character from the right	8th character from the right	SD225	5th character from the right	6th character from the right	SD226	3rd character from the right	4th character from the right	SD227	1st character from the right	2nd character from the right	S (When changed)	New	QCPU LCPU
				b15 to b8	b7 to b0																												
SD220				15th character from the right	16th character from the right																												
SD221				13th character from the right	14th character from the right																												
SD222				11th character from the right	12th character from the right																												
SD223				9th character from the right	10th character from the right																												
SD224				7th character from the right	8th character from the right																												
SD225				5th character from the right	6th character from the right																												
SD226	3rd character from the right	4th character from the right																															
SD227	1st character from the right	2nd character from the right																															
SD221																																	
SD222																																	
SD223																																	
SD224																																	
SD225																																	
SD226																																	
SD227																																	
SD235	Module to which online change is being performed	Start I/O number of the module that is being changed online ÷ 10 _H	This register stores the value obtained by dividing the start I/O number of the module that is being changed online with 10 _H .	S (During online module change)	New	QnPH QnPRH																											
SD240	Base mode	0: Automatic mode 1: Detail mode	This register stores the base mode.	S (Initial)	New	QCPU																											

Number	Name	Meaning	Explanation	Set by (When Set)	Corresponding ACPU D9□□□	Corresponding CPU
SD241	Extension stage number	0: Main base only 1 to 7: Number of extension base units	This register stores the maximum number of extension base units installed.	S (Initial)	New	QCPU
	Number of extension blocks	0: Main only 1 to 3: Number of extension blocks	This register stores the maximum number of connected extension blocks.			LCPU ⁹
SD242	A/Q base differentiation	Base type differentiation 0: QA**B is installed (A mode) 1: Q**B is installed (Q mode)		S (Initial)	New	Qn(H) QnPH QnPRH
	Installed Q base presence/absence	Base type differentiation 0: Base not installed 1: Q**B is installed				Q00J/Q00/Q01
	A/Q base differentiation	Base type differentiation 0: QA1S**B, QA1S6A DP+A1S* B, QA**B, and QA6ADP + A**B are installed / Base not installed 1: Q**B is installed	<p>• For the Q00UJCPU, the bits for the third to seventh extension bases are fixed to "0". • For the Q00UCPU, Q01UCPU, and Q02UCPU, the bits for the fifth to seventh extension bases are fixed to "0".</p>			QnU

A

Number	Name	Meaning	Explanation	Set by (When Set)	Corresponding ACPU D9□□□	Corresponding CPU															
SD243	No. of base slots		<ul style="list-style-type: none"> The number of base unit slots set in parameter is stored. When the number is not set in parameter, the number of base unit slots used is stored. <table border="1"> <tr> <td></td> <td>b15 to b12</td> <td>b11 to b8</td> <td>b7 to b4</td> <td>b3 to b0</td> </tr> <tr> <td>SD243</td> <td>Extension 3</td> <td>Extension 2</td> <td>Extension 1</td> <td>Main</td> </tr> <tr> <td>SD244</td> <td>Extension 7</td> <td>Extension 6</td> <td>Extension 5</td> <td>Extension 4</td> </tr> </table> <ul style="list-style-type: none"> For the Q00UJCPU, the bits for the third to seventh extension bases are fixed to "0". For the Q00UCPU, Q01UCPU, and Q02UCPU, the bits for the fifth to seventh extension bases are fixed to "0". 		b15 to b12	b11 to b8	b7 to b4	b3 to b0	SD243	Extension 3	Extension 2	Extension 1	Main	SD244	Extension 7	Extension 6	Extension 5	Extension 4			Qn(H) QnPH QnPRH QnU
			b15 to b12	b11 to b8	b7 to b4	b3 to b0															
SD243	Extension 3	Extension 2	Extension 1	Main																	
SD244	Extension 7	Extension 6	Extension 5	Extension 4																	
SD243	No. of base slots (Operation status)	No. of base slots	The number of slots used is stored in the area corresponding to each base unit as shown below. (The number of slots set in the parameter setting.) <table border="1"> <tr> <td></td> <td>b15 to b12</td> <td>b11 to b8</td> <td>b7 to b4</td> <td>b3 to b0</td> </tr> <tr> <td>SD243</td> <td>Extension 3</td> <td>Extension 2</td> <td>Extension 1</td> <td>Main</td> </tr> <tr> <td>SD244</td> <td>Fixed to 0</td> <td>Fixed to 0</td> <td>Fixed to 0</td> <td>Extension 4</td> </tr> </table>		b15 to b12	b11 to b8	b7 to b4	b3 to b0	SD243	Extension 3	Extension 2	Extension 1	Main	SD244	Fixed to 0	Fixed to 0	Fixed to 0	Extension 4	S (Initial)	New	Q00J/Q00/Q01
			b15 to b12	b11 to b8	b7 to b4	b3 to b0															
SD243	Extension 3	Extension 2	Extension 1	Main																	
SD244	Fixed to 0	Fixed to 0	Fixed to 0	Extension 4																	
SD245	No. of base slots (Mounting status)		The number of slots where modules are actually mounted is stored in the area corresponding to each base unit as shown below. <table border="1"> <tr> <td></td> <td>b15 to b12</td> <td>b11 to b8</td> <td>b7 to b4</td> <td>b3 to b0</td> </tr> <tr> <td>SD245</td> <td>Extension 3</td> <td>Extension 2</td> <td>Extension 1</td> <td>Main</td> </tr> <tr> <td>SD246</td> <td>Fixed to 0</td> <td>Fixed to 0</td> <td>Fixed to 0</td> <td>Extension 4</td> </tr> </table>		b15 to b12	b11 to b8	b7 to b4	b3 to b0	SD245	Extension 3	Extension 2	Extension 1	Main	SD246	Fixed to 0	Fixed to 0	Fixed to 0	Extension 4			Q00J/Q00/Q01 ^{*1}
			b15 to b12	b11 to b8	b7 to b4	b3 to b0															
SD245	Extension 3	Extension 2	Extension 1	Main																	
SD246	Fixed to 0	Fixed to 0	Fixed to 0	Extension 4																	
SD246																					
SD250	Loaded maximum I/O	Loaded maximum I/O No	When SM250 is turned on from off, the first two digits of the number, which is the last I/O number of the mounted modules plus 1, are stored.	S (Request END)	New	Qn(H) QnPH QnPRH															
			The value obtained by adding 1 to the end I/O number of a mounted module and dividing by 16 is stored. Example 1: End I/O number 010F SD250 = 0011 _H Example 2: End I/O number 0FFF SD250 = 0100 _H	S (Initial)		Q00J/Q00/Q01 QnU LCPU															
SD254	MELSECNET/10, MELSECNET/H information	Information from 1st module	Number of mounted modules	Indicates the number of mounted MELSECNET/10 modules or MELSECNET/H modules.	S (Initial)	New	QCPU														
SD255			I/O No.	Indicates the I/O number of mounted MELSECNET/10 module or MELSECNET/H module.																	
SD256			Network No.	Indicates the network No. of mounted MELSECNET/10 module or MELSECNET/H module.																	
SD257			Group number	Indicates the group No. of mounted MELSECNET/10 module or MELSECNET/H module.																	
SD258			Station No.	Indicates the station No. of mounted MELSECNET/10 module or MELSECNET/H module.																	
SD259			Standby information	In the case of standby stations, the module number of the standby station is stored. (1 to 4)																	
SD260 to SD264			Information from 2nd module	Data configuration is the same as that of the 1st module (SD255 to SD259).																	
SD265 to SD269			Information from 3rd module	Data configuration is the same as that of the 1st module (SD255 to SD259).																	
SD270 to SD274	Information from 4th module	Data configuration is the same as that of the 1st module (SD255 to SD259).																			

Number	Name	Meaning	Explanation	Set by (When Set)	Corresponding ACPU D9□□□	Corresponding CPU
SD280	CC-Link error	Error detection status	<p>This register stores error detection status in the following bit pattern.</p> <p>1): When Xn0 of a mounted CC-Link module turns on, the corresponding bit is set to 1 (on). 2): When either Xn1 or XnF of a mounted CC-Link module turns off, the corresponding bit is set to 1 (on). 3): When a mounted CC-Link module is not able to communicate with the CPU module, the corresponding bit is set to 1 (on). The above modules are numbered in order of the start I/O numbers. (However, the one where no start I/O number is set in parameter is not counted.)</p>	S (Error)	New	Qn(H) QnPH QnPRH
SD281			<p>This register stores error detection status in the following bit pattern.</p> <p>1): When Xn0 of a mounted CC-Link module turns on, the corresponding bit is set to 1 (on). 2): When either Xn1 or XnF of a mounted CC-Link module turns off, the corresponding bit is set to 1 (on). 3): When a mounted CC-Link module is not able to communicate with the CPU module, the corresponding bit is set to 1 (on). The above modules are numbered in order of the start I/O numbers. (However, the one where no start I/O number is set in parameter is not counted.)</p>			Qn(H) ^{*4} QnPH ^{*4} QnPRH ^{*5}
SD282	Device assignment	Points assigned to D (for internal device extension)	<ul style="list-style-type: none"> The number of points assigned to D is stored with 32 bits. (except the number of extended data registers) The number of 32k or less points can be assigned to D. 	S (Initial)	New	QnUDV QnUDPV
SD283			Points assigned to W (for internal device extension)			
SD284		Points assigned to M (for extension)				
SD285			Points assigned to B (for extension)			
SD286	Points assigned to M (for extension)	<ul style="list-style-type: none"> The number of points assigned to M is stored with 32 bits. The number of 32k or less points can be assigned to M. 		S (Initial)	New	QnU ^{*6} LCPU
SD287		Points assigned to B (for extension)				
SD288	Points assigned to B (for extension)		<ul style="list-style-type: none"> The number of points assigned to B is stored with 32 bits. The number of 32k or less points can be assigned to B. 	S (Initial)	New	QnU ^{*6} LCPU
SD289		Points assigned to B (for extension)	<ul style="list-style-type: none"> The number of points assigned to B is stored with 32 bits. The number of 32k or less points can be assigned to B. 			



Appendix 3 List of Special Register Areas

Number	Name	Meaning	Explanation	Set by (When Set)	Corresponding ACPU D9□□□	Corresponding CPU
SD290	Device assignment (Same as parameter contents)	Number of points assigned for X	Stores the number of points currently set for X devices.	S (Initial)	New	QCPU LCPU
SD291		Number of points assigned for Y	Stores the number of points currently set for Y devices.			
SD292		Number of points assigned for M	Stores the number of points currently set for M devices. When 32769 or more points are assigned to M, 32768 (8000 _H) is stored.			
SD293		Number of points assigned for L	Stores the number of points currently set for L devices.			
SD294		Number of points assigned for B	Stores the number of points currently set for B devices. When 32769 or more points are assigned to B, 32768 (8000 _H) is stored.			
SD295		Number of points assigned for F	Stores the number of points currently set for F devices.			
SD296		Number of points assigned for SB	Stores the number of points currently set for SB devices.			
SD297		Number of points assigned for V	Stores the number of points currently set for V devices.			
SD298		Number of points assigned for S	Stores the number of points currently set for S devices.			
SD299		Number of points assigned for T	Stores the number of points currently set for T devices.			
SD300		Number of points assigned for ST	Stores the number of points currently set for ST devices.			
SD301		Number of points assigned for C	Stores the number of points currently set for C devices.			
SD302		Number of points assigned for D	Stores the number of points currently set for D devices. (The number of extended data register points is not included.) When 32769 or more points are assigned to D, 32768 (8000 _H) is stored.			
SD303		Number of points assigned for W	Stores the number of points currently set for W devices. (The number of extended link register points is not included.) When 32769 or more points are assigned to W, 32768 (8000 _H) is stored.			
SD304	Number of points assigned for SW	Stores the number of points currently set for SW devices.				
SD305	Device assignment (Index register)	16 bit modification of Number of points assigned for Z	<ul style="list-style-type: none"> Stores the number of points of index register (Z) used for the 16-bit modification area. (Depending on the index modification setting for ZR in the parameter setting.) When "Use ZZ" is selected for "Indexing Setting for Device" in the Device tab of "PLC parameter", FFFF_H is stored. 	S (Initial)	New	QnU LCPU
SD306	Device assignment (Same as parameter contents)	Number of points assigned for ZR (for extension)	The number of points for ZR is stored (except the number of points of extended data register (D) and extended link register (W)). The number of points assigned to ZR is stored into this register only when 1k point or more is set for the extended data register (D) or extended link register (W).	S (Initial)	New	QnU ⁷ LCPU
SD307						

Number	Name	Meaning	Explanation	Set by (When Set)	Corresponding ACPU D9□□□	Corresponding CPU	
SD308	Device assignment (assignment including the number of points set to the extended data register (D) and extended link register (W))	Number of points assigned for D (for inside + for extension)	The total points of the data register (D) in the internal device memory area and the extended data register (D) are stored as a 32-bit binary value.	S (Initial)	New	QnU ^{*7} LCPU	
SD309							
SD310		Number of points assigned for W (for inside + for extension)	The total points of the link register (W) in the internal device memory area and the extended link register (W) are stored as a 32-bit binary value.				
SD311							
SD315	Time reserved for communication processing	Time reserved for communication processing	<ul style="list-style-type: none"> This register specifies the amount of processing time for communication with a programming tool or another module. The greater the value specified is, the shorter the response time for communication with another (such as a programming tool or serial communication module) is. However, scan time will increase by the specified time. Setting range: 1 to 100ms A setting outside the above range is regarded as no setting.	U	New	Q00J/Q00/Q01 Qn(H) QnPH QnPRH	
SD329	Online change (inactive block) target block number	SFC block number	<ul style="list-style-type: none"> While online change (inactive block) is executed (SM329 is on.), this register stores the target SFC block number. In other than the above status, this register stores FFFF_H. 	S (Status change)	New	QnU ^{*8} LCPU ^{*14}	
SD339	Latch clear operation setting	Latch clear operation setting	When 5A01 _H is set to SD339, SM339 will be valid. After the latch clear processing ends, this register is cleared to 0.	S (Status change)/U	New	QnUDV ^{*12} QnUDPV ^{*13} LCPU ^{*11}	
SD340	Ethernet information	Number of mounted modules	Indicates the number of mounted Ethernet modules.	S (Initial)	New	QCPU LCPU ^{*10}	
SD341		Information of 1st module	I/O No.				Indicates I/O No. of mounted Ethernet module.
SD342			Network No.				Indicates network No. of mounted Ethernet module.
SD343			Group No.				Indicates group No. of the mounted Ethernet module.
SD344			Station No.			Indicates station No. of mounted Ethernet module.	
SD345			Empty			Empty (The IP address of the 1st Ethernet module is stored in the buffer memory.)	
SD346		Empty	Empty (An error code of the 1st Ethernet module is read with the ERRRD instruction.)				
SD347		Information from 2nd module	Data configuration is the same as that of the 1st module (SD341 to SD347).			Qn(H) QnPH QnPRH QnU ^{*2} LCPU ^{*10}	
SD348 to SD354		Information from 3rd module	Data configuration is the same as that of the 1st module (SD341 to SD347).				
SD355 to SD361		Information from 4th module	Data configuration is the same as that of the 1st module (SD341 to SD347).				
SD362 to SD368							



Appendix 3 List of Special Register Areas

Number	Name	Meaning	Explanation	Set by (When Set)	Corresponding ACPU D9□□□	Corresponding CPU
SD380	Ethernet instruction reception status	Instruction reception status of 1st module	<p>ON: Received (Channel is being used.) OFF: Not received (Channel is not used.)</p>	S (Instruction execution)	New	QnPRH
SD381	Ethernet instruction reception status	Instruction reception status of 2nd module	Data configuration is the same as that of the 1st module (SD380).	S (Instruction execution)	New	QnPRH
SD382		Instruction reception status of 3rd module	Data configuration is the same as that of the 1st module (SD380).			
SD383		Instruction reception status of 4th module	Data configuration is the same as that of the 1st module (SD380).			
SD393	Multiple CPU system information	Number of multiple CPUs	The number of CPU modules that comprise the multiple CPU system is stored. (1 to 4, Empty also included)	S (Initial)	New	Q00/Q01 ^{*1} QnU
SD394		CPU mounting information	<p>This register stores information on the CPU module types of CPU No.1 to No.3 and whether or not the CPU modules are mounted.</p> <p>CPU module mounted or not mounted 0: Not mounted 1: Mounted</p> <p>CPU module type 0: Programmable controller CPU 1: Motion CPU 2: PC CPU module 4: C Controller module</p>			Q00/Q01 ^{*1}
SD395		Multiple CPU number	In a multiple CPU system configuration, the CPU number of the host CPU is stored. CPU No. 1: 1, CPU No. 2: 2, CPU No. 3: 3, CPU No. 4: 4			Q00/Q01 ^{*1} Qn(H) ^{*1} QnPH QnU
SD396		No. 1 CPU operation status	The operation information of each CPU No. is stored. (The information on the number of multiple CPUs indicated in SD393 is stored.)			Q00/Q01 ^{*1} QnU
SD397		No. 2 CPU operation status	<p>mounted 0: Not mounted 1: Mounted</p> <p>Classification 0: Normal 1: Minor fault 2: Medium fault 3: Major fault Fh: Reset</p> <p>Operation status 0: RUN 2: STOP 3: PAUSE 4: Initial Fh: Reset</p>			Q00/Q01 ^{*1} QnU ^{*7}
SD398	No. 3 CPU operation status	QnU ^{*3}				
SD399	No. 4 CPU operation status					

- *1 Modules whose function version B or later
- *2 Universal model QCPU except the Q00UJCPU, Q00UCPU, and Q01UCPU
- *3 Universal model QCPU except the Q00UJCPU, Q00UCPU, Q01UCPU, and Q02UCPU
- *4 Modules whose serial number (first five digits) is "08032" or later
- *5 Modules whose serial number (first five digits) is "09102" or later
- *6 Modules whose serial number (first five digits) is "10042" or later
- *7 Universal model QCPU except the Q00UJCPU
- *8 Modules whose serial number (first five digits) is "12052" or later
- *9 Modules whose serial number (first five digits) is "13072" or later
- *10 Built-in Ethernet port LCPU whose serial number (first five digits) is "14112" or later
- *11 Modules whose serial number (first five digits) is "15042" or later
- *12 Modules whose serial number (first five digits) is "15043" or later
- *13 Modules whose serial number (first five digits) is "15072" or later
- *14 Modules whose serial number (first five digits) is "15102" or later (excluding the L02CPU, L02SCPU, L02CPU-P, and L02SCPU-P)

(3) System clock/counter

Number	Name	Meaning	Explanation	Set by (When Set)	Corresponding ACPU D9□□□□	Corresponding CPU
SD412	1 second counter	Number of counts in 1-second units	<ul style="list-style-type: none"> • This register is incremented by 1 for each second after the CPU module is set to RUN. • Count repeats from 0 to 32767 to -32768 to 0. 	S (Status change)	D9022	QCPU LCPU
SD414	2n second clock setting	2n second clock units	<ul style="list-style-type: none"> • Stores value n of 2n second clock (Default is 30). • Setting can be made between 1 and 32767. 	U	New	QCPU LCPU
SD415	2nms clock setting	2nms clock units	<ul style="list-style-type: none"> • Stores value n of 2nms clock (Default is 30). • Setting can be made between 1 and 32767. 	U	New	Qn(H) QnPH QnPRH QnU LCPU
SD420	Scan counter	Number of counts in each scan	<ul style="list-style-type: none"> • This register is incremented by 1 for each scan of a scan execution type program after the CPU module is set to RUN. (Not incremented for each scan of an initial execution type program.) • Count repeats from 0 to 32767 to -32768 to 0. 	S (Every END processing)	New	Qn(H) QnPH QnPRH QnU LCPU
			<ul style="list-style-type: none"> • This register is incremented by 1 for each scan after the CPU module is set to RUN. • Count repeats from 0 to 32767 to -32768 to 0. 			Q00J/Q00/Q01
SD430	Low speed scan counter	Number of counts in each scan	<ul style="list-style-type: none"> • This register is incremented by 1 for each scan of a low-speed execution type program after the CPU module is set to RUN. • Count repeats from 0 to 32767 to -32768 to 0. • Used only for low speed execution type programs. 	S (Every END processing)	New	Qn(H) QnPH

A

Appendix 3 List of Special Register Areas

(4) Scan information

Number	Name	Meaning	Explanation	Set by (When Set)	Corresponding ACPU D9□□□	Corresponding CPU
SD500	Execution program No.	Program No. in execution	Program number of program currently being executed is stored as BIN value.	S (Status change)	New	Qn(H) QnPH QnPRH QnU LCPU
SD510	Low speed execution type program No.	Low speed execution type program No. in execution	<ul style="list-style-type: none"> Program number of low speed execution type program No. currently being executed is stored as BIN value. Enabled only when SM510 is ON. 	S (Every END processing)	New	Qn(H) QnPH
SD520	Current scan time	Current scan time (ms value)	<p>This register stores the current scan time. (The time is measured in increments of 100μs.) (in increments of 1μs for the Universal model QCPU and LCPU.)</p> <ul style="list-style-type: none"> SD520: Stores a ms value (storage range: 0 to 65535). SD521: Stores a μs value (storage range: 0 to 900 (0 to 999 for the Universal model QCPU and LCPU)). <p>Example: When the current scan time is 23.6ms, the following values are stored:</p> <ul style="list-style-type: none"> SD520 = 23 SD521 = 600 <p>A value in this register is cleared to "0" when the CPU module is set to STOP.</p>	S (Every END processing)	D9018 format change	QCPU LCPU
SD521		Current scan time (μ s value)			D9017 format change	
SD522	Initial scan time	Initial scan time (ms value)	<p>This register stores the scan time of an initial execution type program. (The time is measured in increments of 100μs.) (in increments of 1μs for the Universal model QCPU and LCPU.)</p> <ul style="list-style-type: none"> SD522: Stores a ms value (storage range: 0 to 65535). SD523: Stores a μs value (storage range: 0 to 900 (0 to 999 for the Universal model QCPU and LCPU)). <p>A value in this register is cleared to "0" when the CPU module is switched from STOP to RUN.</p>	S (First END processing)	New	Qn(H) QnPH QnPRH QnU LCPU
SD523		Initial scan time (μ s value)				
SD524	Minimum scan time	Minimum scan time (ms value)	<p>This register stores the minimum scan time. (The time is measured in increments of 100μs.)</p> <ul style="list-style-type: none"> SD524: Stores a ms value (storage range: 0 to 65535). SD525: Stores a μs value (storage range: 0 to 900) <p>A value in this register is cleared to "0" when the CPU module is switched from STOP to RUN.</p>	S (Every END processing)	New	Q00J/Q00/Q01
SD525		Minimum scan time (μ s value)				
SD526	Maximum scan time	Maximum scan time (ms value)	<p>This register stores the maximum scan time. (The time is measured in increments of 100μs.)</p> <ul style="list-style-type: none"> SD526: Stores a ms value (storage range: 0 to 65535). SD527: Stores a μs value (storage range: 0 to 900) <p>A value in this register is cleared to "0" when the CPU module is switched from STOP to RUN.</p>	S (Every END processing)	New	Q00J/Q00/Q01
SD527		Maximum scan time (μ s value)				
SD524	Minimum scan time	Minimum scan time (ms value)	<p>This register stores the minimum scan time except that of an initial execution type program. (The time is measured in increments of 100μs.) (in increments of 1μs for the Universal model QCPU and LCPU.)</p> <ul style="list-style-type: none"> SD524: Stores a ms value (storage range: 0 to 65535). SD525: Stores a μs value (storage range: 0 to 900 (0 to 999 for the Universal model QCPU and LCPU)). <p>A value in this register is cleared to "0" when the CPU module is switched from STOP to RUN.</p>	S (Every END processing)	D9017 format change	Qn(H) QnPH QnPRH QnU LCPU
SD525		Minimum scan time (μ s value)			D9018 format change	

Number	Name	Meaning	Explanation	Set by (When Set)	Corresponding ACPU D9□□□	Corresponding CPU
SD526	Maximum scan time	Maximum scan time (ms value)	This register stores the maximum scan time excluding the scan time of an initial execution type program. (The time is measured in increments of 100 μ s.) (in increments of 1 μ s for the Universal model QCPU and LCPU.) • SD526: Stores a ms value (storage range: 0 to 65535). • SD527: Stores a μ s value (storage range: 0 to 900 (0 to 999 for the Universal model QCPU and LCPU)). A value in this register is cleared to "0" when the CPU module is switched from STOP to RUN.	S (Every END processing)	D9019 format change	Qn(H) QnPH QnPRH QnU LCPU
SD527		Maximum scan time (μ s value)			New	
SD528	Current scan time for low speed execution type programs	Current scan time (ms value)	This register stores the current scan time of a low-speed execution type program. (The time is measured in increments of 100 μ s.) • SD528: Stores a ms value (storage range: 0 to 65535) • SD529: Stores a μ s value (storage range: 0 to 900) A value in this register is cleared to "0" when the CPU module is set to STOP.	S (Every END processing)	New	Qn(H) QnPH
SD529		Current scan time (μ s value)				
SD532	Minimum scan time for low speed execution type programs	Minimum scan time (ms value)	This register stores the minimum scan time of a low-speed execution type program. (The time is measured in increments of 100 μ s.) • SD532: Stores a ms value (storage range: 0 to 65535) • SD533: Stores a μ s value (storage range: 0 to 900) A value in this register is cleared to "0" when the CPU module is switched from STOP to RUN.	S (Every END processing)	New	Qn(H) QnPH
SD533		Minimum scan time (μ s value)				
SD534	Maximum scan time for low speed execution type programs	Maximum scan time (ms value)	This register stores the maximum scan time excluding the time taken to the first scan of a low-speed execution type program. (The time is measured in increments of 100 μ s.) • SD534: Stores a ms value (storage range: 0 to 65535) • SD535: Stores a μ s value (storage range: 0 to 900) A value in this register is cleared to "0" when the CPU module is switched from STOP to RUN.	S (Every END processing)	New	Qn(H) QnPH
SD535		Maximum scan time (μ s value)				
SD540	END processing time	END processing time (ms value)	Stores the time from the end of a scan program to the start of the next scan. (The time is measured in increments of 100 μ s.) • SD540: Stores a ms value (storage range: 0 to 65535) • SD541: Stores a μ s value (storage range: 0 to 900) A value in this register is cleared to "0" when the CPU module is switched from STOP to RUN.	S (Every END processing)	New	Q00J/Q00/Q01
SD541		END processing time (μ s value)				
SD540	END processing time	END processing time (ms value)	Stores the time from the end of a scan execution type program to the start of the next scan. (The time is measured in increments of 100 μ s.) (in increments of 1 μ s for the Universal model QCPU and LCPU.) • SD540: Stores a ms value (storage range: 0 to 65535) • SD541: Stores a μ s value (storage range: 0 to 900 (0 to 999 for the Universal model QCPU and LCPU)). A value in this register is cleared to "0" when the CPU module is switched from STOP to RUN.	S (Every END processing)	New	Qn(H) QnPH QnPRH QnU LCPU
SD541		END processing time (μ s value)				
SD542	Constant scan wait time	Constant scan wait time (ms value)	This register stores wait time for constant scan. (The time is measured in increments of 100 μ s.) (in increments of 1 μ s for the Universal model QCPU and LCPU.) • SD542: Stores a ms value (storage range: 0 to 65535) • SD543: Stores a μ s value (storage range: 0 to 900 (0 to 999 for the Universal model QCPU and LCPU)). A value in this register is cleared to "0" when the CPU module is switched from STOP to RUN.	S (Every END processing)	New	QCPU LCPU
SD543		Constant scan wait time (μ s value)				

A

Appendix 3 List of Special Register Areas

Number	Name	Meaning	Explanation	Set by (When Set)	Corresponding ACPU D9□□□	Corresponding CPU
SD544	Cumulative execution time for low speed execution type programs	Cumulative execution time for low speed execution type programs (ms value)	Stores the cumulative execution time of a low-speed execution type program. (The time is measured in increments of 100μs.) • SD544: Stores a ms value (storage range: 0 to 65535) • SD545: Stores a μs value (storage range: 0 to 900) Cleared to 0 after the end of one scan of a low-speed execution type program. A value in this register is cleared to "0" when the CPU module is switched from STOP to RUN.	S (Every END processing)	New	Qn(H) QnPH
SD545		Cumulative execution time for low speed execution type programs (μs value)				
SD546	Execution time for low speed execution type programs	Execution time for low speed execution type programs (ms value)	Stores the execution time of a low-speed execution type program in one scan. (The time is measured in increments of 100μs.) • SD546: Stores a ms value (storage range: 0 to 65535) • SD547: Stores a μs value (storage range: 0 to 900) Stored every scan. A value in this register is cleared to "0" when the CPU module is switched from STOP to RUN.	S (Every END processing)	New	Qn(H) QnPH
SD547		Execution time for low speed execution type programs (μs value)				
SD548	Scan program execution time	Scan program execution time (ms value)	Stores the execution time of a scan program in one scan. (The time is measured in increments of 100μs.) (in increments of 1μs for the Universal model QCPU and LCPU.) • SD548: Stores a ms value (storage range: 0 to 65535) • SD549: Stores a μs value (storage range: 0 to 900 (0 to 999 for the Universal model QCPU and LCPU)). Stored every scan. A value in this register is cleared to "0" when the CPU module is switched from STOP to RUN.	S (Every END processing)	New	Q00J/Q00/Q01 QnU LCPU
SD549		Scan program execution time (μs value)				
SD548	Scan execution type program execution time	Scan execution type program execution time (ms value)	Stores the execution time of a scan execution type program in one scan. (The time is measured in increments of 100μs.) • SD548: Stores a ms value (storage range: 0 to 65535) • SD549: Stores a μs value (storage range: 0 to 900) Stored every scan. A value in this register is cleared to "0" when the CPU module is switched from STOP to RUN.	S (Every END processing)	New	Qn(H) QnPH QnPRH
SD549		Scan execution type program execution time (μs value)				
SD550	Service interval measurement module	Module No.	Sets I/O number for module that measures service interval.	U	New	Qn(H) QnPH QnPRH
SD551	Service interval time	Module service interval (ms value)	This register stores the service interval of a module specified by SD550 when SM551 is turned on. (The time is measured in increments of 100μs.) • SD551: Stores a ms value (storage range: 0 to 65535) • SD552: Stores a μs value (storage range: 0 to 900)	S (Request)	New	Qn(H) QnPH QnPRH
SD552		Module service interval (μs value)				

(5) Display unit information

Number	Name	Meaning	Explanation	Set by (When Set)	Corresponding ACPU D9□□□	Corresponding CPU
SD581	Displayed language information	Language used on a display unit	This register stores a value corresponding to the language used on a display unit. Either of the following is stored: • 1: English • 2: Japanese	S (Status change)	New	LCPU*1

*1 Modules whose serial number (first five digits) is "12112" or later

(6) Drive information

Number	Name	Meaning	Explanation	Set by (When Set)	Corresponding ACPU D9□□□	Corresponding CPU
SD600	Memory card types	Memory card types	<p>This register stores a value indicating the type of used memory card in the following bit pattern.</p> <p>*1 For the Q00UJCPU, Q00UCPU, and Q01UCPU, the drive 1 (RAM) type and drive 2 (ROM) type are fixed at "0".</p>	S (Initial and card removal)	New	Qn(H) QnPH QnPRH QnU (except the QnUDV and QnUDPV)
		SD memory card types	<p>This register stores a value indicating the type of used memory card in the following bit pattern.</p>			QnUDV QnUDPV LCPU
SD602	Drive 1 (Memory card RAM) capacity	Drive 1 capacity	This register stores the drive 1 storage capacity (unit: 1K byte). (Free space value after formatting is stored.)	S (Initial and card removal)	New	Qn(H) QnPH QnPRH QnU ^{*2} (except the QnUDV and QnUDPV)
SD603	Drive 2 (Memory card ROM) capacity	Drive 2 capacity	<p>This register stores the drive 2 storage capacity (unit: 1K byte).^{*1}</p> <p>*1 For the Q2MEM-8MBA, a value stored to this register depends on the product control number of the ATA card. For details, refer to the following. User's Manual (Hardware Design, Maintenance and Inspection) for the CPU module used</p>	S (Initial and card removal)	New	Qn(H) QnPH QnPRH QnU ^{*2} (except the QnUDV and QnUDPV)
	Drive 2 (Memory card SD) capacity		<p>This register stores the drive 2 storage capacity (unit: 1K byte). (Free space value after formatting is stored.) If the capacity is 32768K bytes or more, the stored value will be 32767K bytes.</p>			QnUDV QnUDPV
SD604	Memory card use conditions	Memory card use conditions	<p>This register stores the usage status of a memory card in the following bit pattern. (Each bit is on while the memory card is being used.)</p> <ul style="list-style-type: none"> • b0: Boot operation (QBT) • b1: Parameters (QPA) • b2: Device comments (QCD) • b3: Device initial value (QDI) • b4: File register (QDR) • b5: Sampling trace (QTD) • b6 to b8: Not used • b9: Error history (QFD) • b10: Not used • b11: Local device (QDL) • b12 to b15: Not used 	S (Status change)	New	Qn(H) QnPH QnPRH

A

Appendix 3 List of Special Register Areas

Number	Name	Meaning	Explanation	Set by (When Set)	Corresponding ACPU D9□□□	Corresponding CPU
SD604	Memory card use conditions	Memory card use conditions	This register stores the usage status of a memory card in the following bit pattern. (Each bit is on while the memory card is being used.) <ul style="list-style-type: none"> • b0: Boot operation (QBT) (This bit turns on at boot start and turns off at the completion.) • b1: Parameters (QPA) • b2: Device comments (QCD) • b3: Device initial value (QDI) (This bit turns on when the writing of initial device values is started and turns off at the completion.) • b4: File register (QDR) • b5: Sampling trace (QTD) • b6: Not used • b7: Backup data (QBP) • b8 to b10: Not used • b11: Local device (QDL) • b12 to b15: Not used 	S (Status change)	New	QnU ^{*2} (except the QnUDV and QnUDPV)
		SD memory card use conditions	This register stores the usage status of a memory card in the following bit pattern. (Each bit is on while the memory card is being used.) <ul style="list-style-type: none"> • b0: Boot operation (QBT) (This bit turns on at boot start and turns off at the completion.) • b1: Parameters (QPA) • b2: Device comments (QCD) • b3: Device initial value (QDI) (This bit turns on when the writing of initial device values is started and turns off at the completion.) • b4 to b6: Not used • b7: Backup data (QBP) • b8 to b11: Not used • b12: Predefined protocol setting (QPT) (This bit turns on while checking the predefined protocol setting data and turns off at the completion.) • b13: Data logging setting (QLG) (This bit turns on when data logging setting is registered and turns off at the completion or stop of data logging.) • b14: Project data batch save/load^{*6} and iQ Sensor Solution data backup/restoration (This bit turns on while the project is batch-saved/loaded or the iQ Sensor Solution data backup/restoration is executed.) • b15: Operation history (QOL)^{*7} 			QnUDV QnUDPV LCPV
SD606	Drive 2 (Memory card SD) capacity	Drive 2 storage capacity (lower bits)	This register stores the drive 2 storage capacity (unit: 1M byte). (Free space value after formatting is stored.)	S (Initial and card removal)	New	QnUDV QnUDPV LCPV
SD607		Drive 2 storage capacity (upper bits)				
SD616	Free space in drive 2 (Memory card SD)	Free space in drive 2 (lower bits)	This register stores free space value in the drive 2 (unit: 1M byte).	S (Status change)	New	QnUDV QnUDPV LCPV
SD617		Free space in drive 2 (upper bits)				

Number	Name	Meaning	Explanation	Set by (When Set)	Corresponding ACPU D9□□□	Corresponding CPU
SD620	Drive 3/4 types	Drive 3/4 types	<p>This register stores the usage status of drives 3 and 4 in the following bit pattern.</p>	S (Initial)	New	Q00J/Q00/Q01
			<p>This register stores the usage status of drives 3 and 4 in the following bit pattern.</p> <p>*1 For the Q00UJCPU, the drive 3 (Standard RAM) type is fixed at "0".</p>			Qn(H) QnPH QnPRH QnU LCPU
SD622	Drive 3 (Standard RAM) capacity	Drive 3 capacity	<p>This register stores the drive 3 storage capacity (unit: 1K byte).</p>	S (Initial)	New	Q00J/Q00/Q01
			<p>This register stores the drive 3 storage capacity (unit: 1K byte). (Free space value after formatting is stored.)</p>			Qn(H) QnPH QnPRH QnU LCPU
SD623	Drive 4 (Standard ROM) capacity	Drive 4 capacity	<p>This register stores the drive 4 storage capacity (unit: 1K byte).</p>	S (Initial)	New	Q00J/Q00/Q01
			<p>This register stores the drive 4 storage capacity (unit: 1K byte). (Free space value after formatting is stored.)</p>			Qn(H) QnPH QnPRH QnU LCPU
SD624	Drive 3/4 use conditions	Drive 3/4 use conditions	<p>This register stores the usage status of the drives 3 and 4 in the following bit pattern.</p>	S (Status change)	New	Q00J/Q00/Q01
			<p>This register stores the usage status of the drives 3 and 4 in the following bit pattern. (Each bit is on while the corresponding drive is being used.)</p> <ul style="list-style-type: none"> • b0: Boot operation (QBT) • b1: Parameters (QPA) • b2: Device comments (QCD) • b3: Device initial value (QDI) • b4: File register (QDR) • b5: Sampling trace (QTD) • b6 to b8: Not used • b9: Error history (QFD) • b10: SFC trace (QTS) • b11: Local device (QDL) • b12 to b15: Not used 			Qn(H) QnPH QnPRH

A

Appendix 3 List of Special Register Areas

Number	Name	Meaning	Explanation	Set by (When Set)	Corresponding ACPU D9□□□	Corresponding CPU
SD624	Drive 3/4 use conditions	Drive 3/4 use conditions	<p>This register stores the usage status of the drives 3 and 4 in the following bit pattern. (Each bit is on while the corresponding drive is being used.)</p> <ul style="list-style-type: none"> • b0: Not used • b1: Parameters (QPA) • b2: Device comments (QCD) • b3: Device initial value (QDI) (This bit turns on when the writing of initial device values is started and turns off at the completion.) • b4: File register (QDR) • b5: Sampling trace (QTD) • b6 and b7: Not used • b8: Module error log (QIE) • b9 and b10: Not used • b11: Local device (QDL) • b12 to b15: Not used 	S (Status change)	New	QnU ^{*2} (except the QnUDV and QnUDPV)
			<p>This register stores the usage status of the drives 3 and 4 in the following bit pattern. (Each bit is on while the corresponding drive is being used.)</p> <ul style="list-style-type: none"> • b0: Not used • b1: Parameters (QPA) • b2: Device comments (QCD) • b3: Device initial value (QDI) (This bit turns on when the writing of initial device values is started and turns off at the completion.) • b4: File register (QDR) • b5: Sampling trace (QTD) • b6 and b7: Not used • b8: Module error log (QIE) • b9 and b10: Not used • b11: Local device (QDL) • b12: Predefined protocol setting (QPT) (This bit turns on while checking the predefined protocol setting data and turns off at the completion.) • b13: Data logging setting (QLG) (This bit turns on when data logging setting is registered and turns off at the completion or stop of data logging. For the L02SCPU and L02SCPU-P, this bit is fixed to off.) • b14: Not used • b15: Operation history (QOL)^{*7} 			QnUDV QnUDPV LCPV

Number	Name	Meaning	Explanation	Set by (When Set)	Corresponding ACPU D9□□□	Corresponding CPU
SD634	Project data batch save error cause	Project data batch save error cause	<p>This register stores the cause of an error occurred when the batch save function is executed.</p> <ul style="list-style-type: none"> • 0_H: No error • 100_H: SD memory card not inserted • 101_H: Use of SD memory card stopped • 200_H: Save-target data size exceeded the capacity of memory card • 201_H: Number of save files out-of-range • 202_H: Number of save folders out-of-range • 300_H: Write protection set to SD memory card • 400_H: SD memory card write error • 401_H: SD memory card removed • 500_H: Save-target data read error (program memory) • 503_H: Save-target data read error (standard RAM) • 504_H: Save-target data read error (standard ROM) • 505_H: Save-target data read error (SD memory card) • 510_H: Save-target data read error (system data) • 600_H: The batch save function was executed during the batch data backup to the standard ROM. • 601_H: The batch save function was executed during online change. • 602_H: The batch save function was executed with an FTP client connected to and communicated with the CPU module. • 604_H: The batch save function was executed while the CPU module change function with SD memory card was being executed. • 607_H: The batch save function was executed while the iQ Sensor Solution function (data backup/restoration) was being executed. • 608_H: The batch save function was executed while the file transfer function (FTP client) was being executed. • 701_H: The batch save function was executed to the program where "Execution Program Protection Setting" was enabled with a block password. 	S (Error)	New	LCPU*5
SD635	Project data batch save status	Project data batch save status	<p>This register stores the current status of the batch save function.</p> <ul style="list-style-type: none"> • 0_H: Not executed • 1_H: Being executed • 2_H: Completed • FF_H: Error 	S (Status change)	New	LCPU*5

Number	Name	Meaning	Explanation	Set by (When Set)	Corresponding ACPU D9□□□	Corresponding CPU
SD636	Project data batch load error cause	Project data batch load error cause	<p>This register stores the cause of an error occurred when the batch load function is executed.</p> <ul style="list-style-type: none"> • 0_H: No error • 800_H: Mismatch of CPU module models • 801_H: Batch-save/load-target data read error (SD memory card) • 802_H: SD memory card removed • 803_H: No system file (SVLDINF.QLS) existed • 804_H: Mismatch of file password 32 • 805_H: No specified folder existed or specified number out-of-range • 810_H: Load-destination drive write error • 820_H: Load error of a file in use • 821_H: Format was executed while a file that is being used existed. • 900_H: SD memory card not inserted • 901_H: Use of SD memory card stopped • A00_H: Load-target data size exceeded the capacity of drive or memory card • B00_H: Write protection set to SD memory card • C00_H: The batch load function was executed during the latch data backup to the standard ROM. • C01_H: The batch load function was executed during online change. • C02_H: The batch load function was executed with an FTP client connected to and communicated with the CPU module. • C04_H: The batch load function was executed while the CPU module change function with SD memory card was being executed. • C07_H: The batch load function was executed while the iQ Sensor Solution function (data backup/restoration) was being executed. • C08_H: The batch save function was executed while the file transfer function (FTP client) was being executed. • C10_H: CPU module in RUN or PAUSE status 	S (Error)	New	LCPU*5
SD637	Project data batch load status	Project data batch load status	<p>This register stores the current status of the batch load function.</p> <ul style="list-style-type: none"> • 0_H: Not executed • 1_H: Being executed • 2_H: Completed • FF_H: Error 	S (Status change)	New	LCPU*5
SD638	Directory batch delete completion status	Directory batch delete completion status	<p>This register stores the completion status of the directory batch delete processing.</p> <p>0: Normally completed Other than 0: Error code</p> <p>When the delete processing is instructed, "0" is set.</p>	S (Writing)	New	QnUDV QnUDPV
SD639	Directory batch deletion status	Directory batch deletion status	<p>The status of the directory batch delete processing is indicated in percentage (0 or 100 %).</p> <ul style="list-style-type: none"> • When the delete processing is instructed, "0" is set. 	S (Writing)	New	QnUDV QnUDPV
SD640	File register drive	Drive number	<p>This register stores the number of a drive storing a file register.*1</p> <p>*1 For the QnUDVCP, QnUDPVCP, or LCPU, this register is fixed at drive 3.</p>	S (Status change)	New	Q00J/Q00/Q01 Qn(H) QnPH QnPRH QnU*3 LCPU

Number	Name	Meaning	Explanation	Set by (When Set)	Corresponding ACPU D9□□□	Corresponding CPU																					
SD641	File register file name	File register file name	This register stores the file name of a file register (MAIN.QDR) in ASCII code. <table border="1"> <tr> <td></td> <td>b15 to b8</td> <td>b7 to b0</td> </tr> <tr> <td>SD641</td> <td>2nd character (A)</td> <td>1st character (M)</td> </tr> <tr> <td>SD642</td> <td>4th character (N)</td> <td>3rd character (I)</td> </tr> <tr> <td>SD643</td> <td>6th character ()</td> <td>5th character ()</td> </tr> <tr> <td>SD644</td> <td>8th character ()</td> <td>7th character ()</td> </tr> <tr> <td>SD645</td> <td>1st character of the extension (Q)</td> <td>2EH(.)</td> </tr> <tr> <td>SD646</td> <td>3rd character of the extension (R)</td> <td>2nd character of the extension (D)</td> </tr> </table>		b15 to b8	b7 to b0	SD641	2nd character (A)	1st character (M)	SD642	4th character (N)	3rd character (I)	SD643	6th character ()	5th character ()	SD644	8th character ()	7th character ()	SD645	1st character of the extension (Q)	2EH(.)	SD646	3rd character of the extension (R)	2nd character of the extension (D)	S (Initial)		Q00J/Q00/Q01
				b15 to b8	b7 to b0																						
SD641				2nd character (A)	1st character (M)																						
SD642				4th character (N)	3rd character (I)																						
SD643				6th character ()	5th character ()																						
SD644				8th character ()	7th character ()																						
SD645				1st character of the extension (Q)	2EH(.)																						
SD646				3rd character of the extension (R)	2nd character of the extension (D)																						
SD642																											
SD643																											
SD644																											
SD645																											
SD646																											
SD644		This register stores the file name of the file register selected by the parameter or the QDRSET instruction in ASCII code (with an extension).	S (Status change)	New	Qn(H) QnPH QnPRH QnU ³																						
SD645		This register stores the file name of the file register selected by the parameter in ASCII code (with an extension).																									
SD646																											
SD641																											
SD642																											
SD643																											
SD644																											
SD645																											
SD646																											
SD647	File register capacity	File register capacity				This register stores the data size of the selected file register (unit: 1K word).	S (Status change) S (Initial)	New	Qn(H) QnPH QnPRH QnU ³ LCPU Q00J/Q00/Q01																		
SD648	File register block number	File register block number	This register stores the block number of the selected file register.	S (Status change) ⁴	D9035	Q00J/Q00/Q01 Qn(H) QnPH QnPRH QnU ³ LCPU																					
SD650	Comment drive	Comment drive number	This register stores the drive number of the comment selected by the parameter or the QCDSET instruction.	S (Status change)	New	Qn(H) QnPH QnPRH QnU LCPU																					



Number	Name	Meaning	Explanation	Set by (When Set)	Corresponding ACPU D9□□□	Corresponding CPU																						
SD651	Comment file name	Comment file name	<p>This register stores the file name of the comment selected by the parameter or the QCDSET instruction in ASCII code (with an extension).</p> <table border="1"> <thead> <tr> <th></th> <th>b15 to b8</th> <th>b7 to b0</th> </tr> </thead> <tbody> <tr> <td>SD651</td> <td>2nd character</td> <td>1st character</td> </tr> <tr> <td>SD652</td> <td>4th character</td> <td>3rd character</td> </tr> <tr> <td>SD653</td> <td>6th character</td> <td>5th character</td> </tr> <tr> <td>SD654</td> <td>8th character</td> <td>7th character</td> </tr> <tr> <td>SD655</td> <td>1st character of the extension</td> <td>2EH(.)</td> </tr> <tr> <td>SD656</td> <td>3rd character of the extension</td> <td>2nd character of the extension</td> </tr> </tbody> </table>		b15 to b8	b7 to b0	SD651	2nd character	1st character	SD652	4th character	3rd character	SD653	6th character	5th character	SD654	8th character	7th character	SD655	1st character of the extension	2EH(.)	SD656	3rd character of the extension	2nd character of the extension	S (Status change)	New	Qn(H) QnPH QnPRH QnU LCPU	
				b15 to b8	b7 to b0																							
SD651				2nd character	1st character																							
SD652				4th character	3rd character																							
SD653				6th character	5th character																							
SD654				8th character	7th character																							
SD655	1st character of the extension	2EH(.)																										
SD656	3rd character of the extension	2nd character of the extension																										
SD652																												
SD653																												
SD654																												
SD655																												
SD656																												
SD660	Boot operation designation file	Boot designation file drive number	<p>This register stores the number of a drive where the boot designation file (*.QBT) has been stored.</p>	S (Initial)	New	Qn(H) QnPH QnPRH QnU*2 LCPU																						
SD661		File name of boot designation file					<p>This register stores the name of a boot designation file (*.QBT) in ASCII code (with an extension).</p> <table border="1"> <thead> <tr> <th></th> <th>b15 to b8</th> <th>b7 to b0</th> </tr> </thead> <tbody> <tr> <td>SD661</td> <td>2nd character</td> <td>1st character</td> </tr> <tr> <td>SD662</td> <td>4th character</td> <td>3rd character</td> </tr> <tr> <td>SD663</td> <td>6th character</td> <td>5th character</td> </tr> <tr> <td>SD664</td> <td>8th character</td> <td>7th character</td> </tr> <tr> <td>SD665</td> <td>1st character of the extension</td> <td>2EH(.)</td> </tr> <tr> <td>SD666</td> <td>3rd character of the extension</td> <td>2nd character of the extension</td> </tr> </tbody> </table>		b15 to b8	b7 to b0	SD661	2nd character	1st character	SD662	4th character	3rd character	SD663	6th character	5th character	SD664	8th character	7th character	SD665	1st character of the extension	2EH(.)	SD666	3rd character of the extension	2nd character of the extension
								b15 to b8	b7 to b0																			
SD661								2nd character	1st character																			
SD662								4th character	3rd character																			
SD663								6th character	5th character																			
SD664	8th character	7th character																										
SD665	1st character of the extension	2EH(.)																										
SD666	3rd character of the extension	2nd character of the extension																										
SD662																												
SD663																												
SD664																												
SD665																												
SD666																												
SD670	Parameter enable drive information	Parameter enable drive No.	<p>This register stores the number of a drive where valid parameters have been stored.*1</p> <p>■CPU modules other than the QnUDVCPU and QnUDPVCPU</p> <ul style="list-style-type: none"> • 0: Drive 0 (program memory) • 1: Drive 1 (SRAM card) • 2: Drive 2 (Flash card/ATA card) • 4: Drive 4 (standard ROM) <p>■QnUDVCPU and QnUDPVCPU</p> <ul style="list-style-type: none"> • 0: Drive 0 (program memory) • 2: Drive 2 (SD memory card) • 3: Drive 3 (standard RAM) • 4: Drive 4 (standard ROM) <p>*1 For the Q00UJCPU, Q00UCPU, and Q01UCPU, only drives 0 and 4 are parameter-valid drives.</p>	S (Initial)	New	QnU																						
			<p>This register stores the number of a drive where valid parameters have been stored.*1</p> <ul style="list-style-type: none"> • 0: Drive 0 (program memory) • 2: Drive 2 (SD memory card) • 4: Drive 4 (standard ROM) <p>*1 For the L02SCPU and L02SCPU-P, only drives 0 and 4 are parameter-valid drives.</p>			LCPU																						

Number	Name	Meaning	Explanation	Set by (When Set)	Corresponding ACPU D9□□□	Corresponding CPU															
SD671	Status of latch data backup function	Status display	<p>This register stores the execution status of latch data backup in the following bit pattern.</p> <table border="1"> <thead> <tr> <th>Status</th> <th>Presence/absence of backup data</th> <th>Restoration at turning ON power supply in and after the next time</th> </tr> </thead> <tbody> <tr> <td>0 No backup data</td> <td>Absent</td> <td>Restoring not executed</td> </tr> <tr> <td>1 Restore ready completion</td> <td rowspan="4">Present</td> <td>Restoring executed in the next time power supply is turned ON</td> </tr> <tr> <td>2 Restore execution completion^{*1}</td> <td>Restoring not executed</td> </tr> <tr> <td>3 Backup execution wait^{*2}</td> <td>Restoring not executed</td> </tr> <tr> <td>4 Restore repeated execution ready completion</td> <td>Restoring executed whenever power supply is turned ON</td> </tr> </tbody> </table> <p>*1 Indicates status immediately after restoration. *2 Indicates status after the CPU module is powered off and then on while the CPU module is in the "2: Restore execution completion" status.</p>	Status	Presence/absence of backup data	Restoration at turning ON power supply in and after the next time	0 No backup data	Absent	Restoring not executed	1 Restore ready completion	Present	Restoring executed in the next time power supply is turned ON	2 Restore execution completion ^{*1}	Restoring not executed	3 Backup execution wait ^{*2}	Restoring not executed	4 Restore repeated execution ready completion	Restoring executed whenever power supply is turned ON	S (Status change)	New	QnU LCPU
Status	Presence/absence of backup data	Restoration at turning ON power supply in and after the next time																			
0 No backup data	Absent	Restoring not executed																			
1 Restore ready completion	Present	Restoring executed in the next time power supply is turned ON																			
2 Restore execution completion ^{*1}		Restoring not executed																			
3 Backup execution wait ^{*2}		Restoring not executed																			
4 Restore repeated execution ready completion		Restoring executed whenever power supply is turned ON																			
SD672	Backup information	Backup time (Year and month)	<p>This register stores the year (last two digits) and the month when data were backed up in 2-digit BCD.</p> <p>b15 to b12 b11 to b8 b7 to b4 b3 to b0 Example: July, 1993 9307H</p>	S (At write)	New	QnU LCPU															
SD673		Backup time (Day and hour)	<p>This register stores the day and the hour when data were backed up in 2-digit BCD.</p> <p>b15 to b12 b11 to b8 b7 to b4 b3 to b0 Example: 31st, 10 a.m. 3110H</p>																		
SD674		Backup time (Minute and second)	<p>This register stores the minute and the second when data were backed up in 2-digit BCD.</p> <p>b15 to b12 b11 to b8 b7 to b4 b3 to b0 Example: 35 min., 48 sec. 3548H</p>																		
SD675		Backup time (Year and day of week)	<p>This register stores the year (first two digits) and the day of the week when data were backed up in BCD.</p> <p>b15 to b12 b11 to b8 b7 to b4 b3 to b0 Example: 1993, Friday 1905H</p> <p>Higher digits of year (0 to 99)</p> <table border="1"> <thead> <tr> <th>Day of the week</th> </tr> </thead> <tbody> <tr><td>0</td><td>Sunday</td></tr> <tr><td>1</td><td>Monday</td></tr> <tr><td>2</td><td>Tuesday</td></tr> <tr><td>3</td><td>Wednesday</td></tr> <tr><td>4</td><td>Thursday</td></tr> <tr><td>5</td><td>Friday</td></tr> <tr><td>6</td><td>Saturday</td></tr> </tbody> </table>				Day of the week	0	Sunday	1	Monday	2	Tuesday	3	Wednesday	4	Thursday	5	Friday	6	Saturday
Day of the week																					
0	Sunday																				
1	Monday																				
2	Tuesday																				
3	Wednesday																				
4	Thursday																				
5	Friday																				
6	Saturday																				

A

Appendix 3 List of Special Register Areas

Number	Name	Meaning	Explanation	Set by (When Set)	Corresponding ACPU D9□□□	Corresponding CPU																												
SD676	Backup data restoration information	Restore time (Year and month)	This register stores the year (last two digits) and the month when data were restored in 2-digit BCD. <div style="display: flex; align-items: center;"> <div style="margin-right: 20px;"> <table border="1" style="border-collapse: collapse; text-align: center;"> <tr><td>b15 to b12</td><td>b11 to b8</td><td>b7 to b4</td><td>b3 to b0</td></tr> <tr><td> </td><td> </td><td> </td><td> </td></tr> </table> <p>Year Month</p> </div> <div> <p>Example: July, 1993 9307H</p> </div> </div>	b15 to b12	b11 to b8	b7 to b4	b3 to b0					S (Initial)	New	QnU LCPU																				
b15 to b12		b11 to b8	b7 to b4	b3 to b0																														
SD677		Restore time (Day and time)	This register stores the day and the hour when data were restored in 2-digit BCD. <div style="display: flex; align-items: center;"> <div style="margin-right: 20px;"> <table border="1" style="border-collapse: collapse; text-align: center;"> <tr><td>b15 to b12</td><td>b11 to b8</td><td>b7 to b4</td><td>b3 to b0</td></tr> <tr><td> </td><td> </td><td> </td><td> </td></tr> </table> <p>Day Hour</p> </div> <div> <p>Example: 31st, 10 a.m. 3110H</p> </div> </div>	b15 to b12	b11 to b8	b7 to b4	b3 to b0																											
b15 to b12	b11 to b8	b7 to b4	b3 to b0																															
SD678	Restore time (Minute and second)	This register stores the minute and the second when data were restored in 2-digit BCD. <div style="display: flex; align-items: center;"> <div style="margin-right: 20px;"> <table border="1" style="border-collapse: collapse; text-align: center;"> <tr><td>b15 to b12</td><td>b11 to b8</td><td>b7 to b4</td><td>b3 to b0</td></tr> <tr><td> </td><td> </td><td> </td><td> </td></tr> </table> <p>Minute Second</p> </div> <div> <p>Example: 35 min., 48 sec. 3548H</p> </div> </div>	b15 to b12	b11 to b8	b7 to b4	b3 to b0																												
b15 to b12	b11 to b8	b7 to b4	b3 to b0																															
SD679	Restore time (Year and day of week)	This register stores the year (first two digits) and the day of the week when data were restored in BCD. <div style="display: flex; align-items: center;"> <div style="margin-right: 20px;"> <table border="1" style="border-collapse: collapse; text-align: center;"> <tr><td>b15 to b12</td><td>b11 to b8</td><td>b7 to b4</td><td>b3 to b0</td></tr> <tr><td> </td><td> </td><td> </td><td> </td></tr> </table> <p>Higher digits of year (0 to 99)</p> </div> <div style="margin-right: 20px;"> <table border="1" style="border-collapse: collapse; text-align: center;"> <tr><td>b15 to b12</td><td>b11 to b8</td><td>b7 to b4</td><td>b3 to b0</td></tr> <tr><td> </td><td> </td><td> </td><td> </td></tr> </table> </div> <div> <p>Example: 1993, Friday 1905H</p> <table border="1" style="border-collapse: collapse; text-align: center;"> <tr><th colspan="2">Day of the week</th></tr> <tr><td>0</td><td>Sunday</td></tr> <tr><td>1</td><td>Monday</td></tr> <tr><td>2</td><td>Tuesday</td></tr> <tr><td>3</td><td>Wednesday</td></tr> <tr><td>4</td><td>Thursday</td></tr> <tr><td>5</td><td>Friday</td></tr> <tr><td>6</td><td>Saturday</td></tr> </table> </div> </div>	b15 to b12	b11 to b8	b7 to b4	b3 to b0					b15 to b12	b11 to b8	b7 to b4	b3 to b0					Day of the week		0	Sunday	1	Monday	2	Tuesday	3	Wednesday	4	Thursday	5	Friday	6	Saturday
b15 to b12	b11 to b8	b7 to b4	b3 to b0																															
b15 to b12	b11 to b8	b7 to b4	b3 to b0																															
Day of the week																																		
0	Sunday																																	
1	Monday																																	
2	Tuesday																																	
3	Wednesday																																	
4	Thursday																																	
5	Friday																																	
6	Saturday																																	
SD681	Program memory write (transfer) status	Write (transfer) status display (percentage)	This register stores the progress of writing (transfer) to the program memory (flash ROM) in percentage (0 to 100%). When a write (transfer) command is given, "0" is stored in this register.	S (At write)	New	QnU LCPU																												
SD682	Program memory write count index	Write count index up to present	<p>This register stores the index value of write count of the program memory (flash ROM)^{*1} up to the present in 32-bit binary. When the index value exceeds 100 thousand times, "FLASH ROM ERROR" (error code: 1610) occurs. (The index value will be counted even after it exceeds 100 thousand.)</p> <p>^{*1} The write count does not equal to the index value. (Since the maximum write count of the flash ROM has been increased by the system, 1 is added about every two writing operations.)</p>	S (At write)	New	QnU LCPU																												
SD683																																		
SD686	Standard ROM write (transfer) status	Write (transfer) status display (percentage)	This register stores the progress of writing (transfer) to the standard ROM (flash ROM) in percentage (0 to 100%). When a write (transfer) command is given, "0" is stored in this register.	S (At write)	New	QnU LCPU																												

Number	Name	Meaning	Explanation	Set by (When Set)	Corresponding ACPU D9□□□	Corresponding CPU
SD687	Standard ROM write count index	Write count index up to present	This register stores the index value of write count of the standard ROM (flash ROM)* ¹ up to the present in 32-bit binary. When the index value exceeds 100 thousand times, "FLASH ROM ERROR" (error code: 1610) occurs. (The index value will be counted even after it exceeds 100 thousand.)	S (At write)	New	QnU LCPU
SD688			*1 The write count does not equal to the index value. (Since the maximum write count of the flash ROM has been increased by the system, 1 is added to the index value when the total write data size after the previous count-up reaches about 1M byte.)			
SD689	Backup error factor	Backup error factor	<p>This register stores the cause of an error that occurred during backup.</p> <ul style="list-style-type: none"> • 0_H: No error • 100_H: Memory card or SD memory card not inserted • 200_H: Backup data size exceeded • 300_H: Write protection set to memory card or SD memory card • 400_H: Memory card or SD memory card write error • 500_H: Backup data read error (program memory) • 503_H: Backup data read error (standard RAM) • 504_H: Backup data read error (standard ROM) • 510_H: Backup data read error (system data) • 600_H: Backup preparation was performed while latch data was being backed up to the standard ROM. • 601_H: Backup preparation was performed during online change. • 602_H: Backup preparation was performed with an FTP client connected to and communicated with the CPU module. • 603_H: Backup preparation was performed while the data logging function was being executed. • 605_H: Backup preparation was performed while the project data batch save/load function was being executed. • 606_H: Backup preparation was performed while any specified file or folder was being deleted using a display unit. • 607_H: Backup preparation was performed while the iQ Sensor Solution function (data backup/restoration) was being executed. • 608_H: Backup preparation was performed while the file transfer function (FTP client) was being executed. • 609_H: Backup preparation was performed while the CPU module data backup function was being executed. • 700_H: A security key is set to the CPU module. • 701_H: Backup preparation was performed when "Execution Program Protection Setting" was enabled with a block password. 	S (Error)	New	QnU ¹ LCPU
SD690	Backup status	Backup status	<p>Stores the current backup status.</p> <ul style="list-style-type: none"> • 0: Before backup • 1: Being prepared • 2: Ready • 3: Being executed • 4: Completed • FF: Backup error 	S (Status change)	New	QnU ¹ LCPU
SD691	Backup execution status	Backup execution status display (percentage)	<ul style="list-style-type: none"> • This register stores the progress of backup to the memory card or SD memory card in percentage (0 to 100%). • "0" is stored at the start of backup. 	S (Status change)	New	QnU ¹ LCPU

A

Number	Name	Meaning	Explanation	Set by (When Set)	Corresponding ACPU D9□□□	Corresponding CPU
SD692	Restoration error factor	Factor of error occurred in restoration	Stores the cause of an error that occurred in restoration. <ul style="list-style-type: none"> • 800_H: The CPU module model name does not match. • 801_H: The backup data file does not match or reading of backup data from the memory card or SD memory card was not completed. • 810_H: Writing backup data to the restoration drive is not completed. • 811_H: The standard RAM capacity for the restoration is insufficient. • 900_H: A security key is set to the CPU module. 	S (Error)	New	QnU ^{*1} LCPU
SD693	Restoration status	Current restoration status	Stores the current restoration status. <ul style="list-style-type: none"> • 0: Before restoration • 1: Being executed • 2: Completed • FF: Restoration error (In automatic restoration, "0: Before restoration" is stored at the completion of restoration.) 	S (Status change)	New	QnU ^{*1} LCPU
SD694	Restoration execution status	Restoration execution status display (Percentage)	<ul style="list-style-type: none"> • This register stores the progress of restoration to the CPU module in percentage (0 to 100%). • "0" is stored at the start of restoration. In automatic restoration, "0: Before restoration" is stored at the completion of restoration. 	S (Status change)	New	QnU ^{*1} LCPU
SD695	Specification of writing to standard ROM instruction count	Specification of writing to standard ROM instruction count	<ul style="list-style-type: none"> • This register stores the maximum number of executions of the writing to standard ROM instruction (SP.DEVST) per day. • When the number of executions of the writing to standard ROM instruction exceeds the number of times set by SD695, "OPERATION ERROR" (error code: 4113) occurs. • The setting range of this register is 1 to 32767. If "0" or a value outside the range has been set, "OPERATION ERROR" (error code: 4113) occurs at execution of the writing to standard ROM instruction. 	U	New	QnU LCPU
SD696	Available memory in memory card	Available memory in memory card	This register stores a free space value in a memory card in 32-bit binary.	S (Backup in operation)	New	QnU (except the QnUDV and QnUDPV) ^{*1}
SD697						
SD696	Free memory card space at backup	Free memory card space at backup (lower bits)	This register stores a free space value in a SD memory card if the free space is insufficient for storing the backup data and resulting in a backup error. (unit: byte) This register is cleared to "0" when backup is completed.	S (Backup in operation)	New	QnUDV QnUDPV LCPU
SD697		Free memory card space at backup (upper bits)				
SD698	Backup data capacity	Backup data size (lower bits)	This register stores backup data size in 32-bit binary.	S (Backup in operation)	New	QnU ^{*1} LCPU
SD699		Backup data size (upper bits)				

- *1 Modules whose serial number (first five digits) is "10102" or later (except the Q00UJCPU, Q00UCPU, and Q01UCPU)
*2 Universal model QCPU except the Q00UJCPU, Q00UCPU, and Q01UCPU
*3 Universal model QCPU except the Q00UJCPU
*4 On the Basic model QCPU, data is set at STOP to RUN or the RESET instruction execution after parameter execution.
*5 Modules whose serial number (first five digits) is "14042" or later
*6 The function can be used with the LCPU only.
*7 The function can be used with the High-speed Universal model QCPU and Universal model Process CPU only.

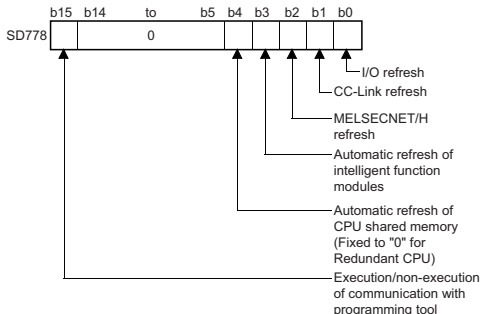
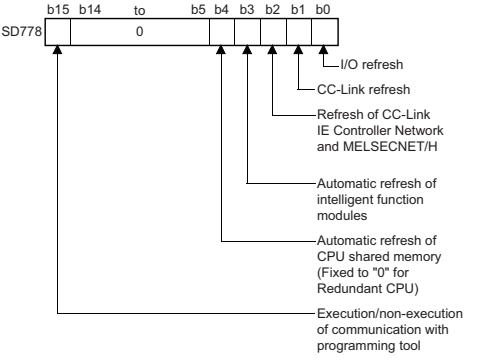
(7) Instruction-related register

Number	Name	Meaning	Explanation	Set by (When Set)	Corresponding ACPU D9□□□	Corresponding CPU																				
SD705	Mask pattern	Mask pattern	Turning SM705 during a block operation enables all data in the block to be processed to masked values according to the mask patterns stored in SD705 (in SD705 and SD706 for double word data).	U	New	Q00J/Q00/Q01 Qn(H) QnPH QnPRH																				
SD706																										
SD710	String addition to data logging file name	b0 to b9 0: Disabled 1: Enabled b10 to b15 Fixed to 0	<ul style="list-style-type: none"> This register stores the status of string addition to data logging file names in the following bit pattern. <table border="1" style="margin-left: auto; margin-right: auto;"> <tr> <td>b9</td><td>b8</td><td>b7</td><td>b6</td><td>b5</td><td>b4</td><td>b3</td><td>b2</td><td>b1</td><td>b0</td> </tr> <tr> <td> </td><td> </td><td> </td><td> </td><td> </td><td> </td><td> </td><td> </td><td> </td><td> </td> </tr> </table> <p>b0: Setting No.1 b1: Setting No.2 to b9: Setting No.10</p> <ul style="list-style-type: none"> At execution of the SP.LOGFILES instruction (Adding a string to data logging file names), when a valid string is specified, a bit corresponding to the relevant setting number turns on. When no character (empty) is specified, a bit corresponding to the relevant setting number turns off. 	b9	b8	b7	b6	b5	b4	b3	b2	b1	b0											S (During execution)	New	QnUDV ⁷ QnUDPV ⁷
b9	b8	b7	b6	b5	b4	b3	b2	b1	b0																	
SD711	Instruction error (Adding a string to data logging file names)	b0 to b9 0: No error 1: Error b10 to b15 Fixed to 0	<ul style="list-style-type: none"> This register stores the error status of the SP.LOGFILES instruction (Adding a string to data logging file names) in the following bit pattern. <table border="1" style="margin-left: auto; margin-right: auto;"> <tr> <td>b9</td><td>b8</td><td>b7</td><td>b6</td><td>b5</td><td>b4</td><td>b3</td><td>b2</td><td>b1</td><td>b0</td> </tr> <tr> <td> </td><td> </td><td> </td><td> </td><td> </td><td> </td><td> </td><td> </td><td> </td><td> </td> </tr> </table> <p>b0: Setting No.1 b1: Setting No.2 to b9: Setting No.10</p> <ul style="list-style-type: none"> When the SP.LOGFILES instruction is executed, a bit corresponding to the relevant setting number turns off. When an error occurs in the instruction, a bit corresponding to the relevant setting number turns on. 	b9	b8	b7	b6	b5	b4	b3	b2	b1	b0											S (During execution/ Status change)	New	QnUDV ⁷ QnUDPV ⁷
b9	b8	b7	b6	b5	b4	b3	b2	b1	b0																	
SD712	Next execution of instruction (Adding a string to data logging file names)	b0 to b9 0: Executable 1: Not executable b10 to b15 Fixed to 0	<ul style="list-style-type: none"> This register stores the next execution status (whether the SP.LOGFILES instruction (Adding a string to data logging file names) is executable or not at the next execution time) in the following bit pattern. <table border="1" style="margin-left: auto; margin-right: auto;"> <tr> <td>b9</td><td>b8</td><td>b7</td><td>b6</td><td>b5</td><td>b4</td><td>b3</td><td>b2</td><td>b1</td><td>b0</td> </tr> <tr> <td> </td><td> </td><td> </td><td> </td><td> </td><td> </td><td> </td><td> </td><td> </td><td> </td> </tr> </table> <p>b0: Setting No.1 b1: Setting No.2 to b9: Setting No.10</p> <ul style="list-style-type: none"> After the SP.LOGFILES instruction is executed, a bit corresponding to the relevant setting number turns on when the system accepts the execution of the instruction. When the first stack file is created and the set string is added to name of the data logging file, a bit corresponding to the relevant setting number turns off. 	b9	b8	b7	b6	b5	b4	b3	b2	b1	b0											S (Status change)	New	QnUDV ⁷ QnUDPV ⁷
b9	b8	b7	b6	b5	b4	b3	b2	b1	b0																	
SD715	IMASK instruction mask pattern	Mask pattern	The mask patterns masked by the IMASK instruction are stored as follows.	S (During execution)	New	QCPU LCPU																				
SD716																										
SD717																										
SD718	Accumulator	Accumulator	For use as replacement for accumulators used in A series programs.	S/U	New	QCPU LCPU																				
SD719																										

A

Appendix 3 List of Special Register Areas

Number	Name	Meaning	Explanation	Set by (When Set)	Corresponding ACPU D9□□□	Corresponding CPU																																																																																																			
SD720	Program No. designation for PLOADP instruction	Program No. designation for PLOADP instruction	This register stores the program number of the program to read it with the PLOADP instruction. (Specified range: 1 to 124)	U	New	Qn(H) QnPH																																																																																																			
SD738 to SD769	Message storage	Message storage	<p>This register stores the message specified by the MSG instruction.</p> <table border="1"> <thead> <tr> <th></th> <th>b15 to b8</th> <th>b7 to b0</th> </tr> </thead> <tbody> <tr><td>SD738</td><td>2nd character</td><td>1st character</td></tr> <tr><td>SD739</td><td>4th character</td><td>3rd character</td></tr> <tr><td>SD740</td><td>6th character</td><td>5th character</td></tr> <tr><td>SD741</td><td>8th character</td><td>7th character</td></tr> <tr><td>SD742</td><td>10th character</td><td>9th character</td></tr> <tr><td>SD743</td><td>12th character</td><td>11th character</td></tr> <tr><td>SD744</td><td>14th character</td><td>13th character</td></tr> <tr><td>SD745</td><td>16th character</td><td>15th character</td></tr> <tr><td>SD746</td><td>18th character</td><td>17th character</td></tr> <tr><td>SD747</td><td>20th character</td><td>19th character</td></tr> <tr><td>SD748</td><td>22nd character</td><td>21st character</td></tr> <tr><td>SD749</td><td>24th character</td><td>23rd character</td></tr> <tr><td>SD750</td><td>26th character</td><td>25th character</td></tr> <tr><td>SD751</td><td>28th character</td><td>27th character</td></tr> <tr><td>SD752</td><td>30th character</td><td>29th character</td></tr> <tr><td>SD753</td><td>32nd character</td><td>31st character</td></tr> <tr><td>SD754</td><td>34th character</td><td>33rd character</td></tr> <tr><td>SD755</td><td>36th character</td><td>35th character</td></tr> <tr><td>SD756</td><td>38th character</td><td>37th character</td></tr> <tr><td>SD757</td><td>40th character</td><td>39th character</td></tr> <tr><td>SD758</td><td>42nd character</td><td>41st character</td></tr> <tr><td>SD759</td><td>44th character</td><td>43rd character</td></tr> <tr><td>SD760</td><td>46th character</td><td>45th character</td></tr> <tr><td>SD761</td><td>48th character</td><td>47th character</td></tr> <tr><td>SD762</td><td>50th character</td><td>49th character</td></tr> <tr><td>SD763</td><td>52nd character</td><td>51st character</td></tr> <tr><td>SD764</td><td>54th character</td><td>53rd character</td></tr> <tr><td>SD765</td><td>56th character</td><td>55th character</td></tr> <tr><td>SD766</td><td>58th character</td><td>57th character</td></tr> <tr><td>SD767</td><td>60th character</td><td>59th character</td></tr> <tr><td>SD768</td><td>62nd character</td><td>61st character</td></tr> <tr><td>SD769</td><td>64th character</td><td>63rd character</td></tr> </tbody> </table>		b15 to b8	b7 to b0	SD738	2nd character	1st character	SD739	4th character	3rd character	SD740	6th character	5th character	SD741	8th character	7th character	SD742	10th character	9th character	SD743	12th character	11th character	SD744	14th character	13th character	SD745	16th character	15th character	SD746	18th character	17th character	SD747	20th character	19th character	SD748	22nd character	21st character	SD749	24th character	23rd character	SD750	26th character	25th character	SD751	28th character	27th character	SD752	30th character	29th character	SD753	32nd character	31st character	SD754	34th character	33rd character	SD755	36th character	35th character	SD756	38th character	37th character	SD757	40th character	39th character	SD758	42nd character	41st character	SD759	44th character	43rd character	SD760	46th character	45th character	SD761	48th character	47th character	SD762	50th character	49th character	SD763	52nd character	51st character	SD764	54th character	53rd character	SD765	56th character	55th character	SD766	58th character	57th character	SD767	60th character	59th character	SD768	62nd character	61st character	SD769	64th character	63rd character	S (During execution)	New	Qn(H)
	b15 to b8	b7 to b0																																																																																																							
SD738	2nd character	1st character																																																																																																							
SD739	4th character	3rd character																																																																																																							
SD740	6th character	5th character																																																																																																							
SD741	8th character	7th character																																																																																																							
SD742	10th character	9th character																																																																																																							
SD743	12th character	11th character																																																																																																							
SD744	14th character	13th character																																																																																																							
SD745	16th character	15th character																																																																																																							
SD746	18th character	17th character																																																																																																							
SD747	20th character	19th character																																																																																																							
SD748	22nd character	21st character																																																																																																							
SD749	24th character	23rd character																																																																																																							
SD750	26th character	25th character																																																																																																							
SD751	28th character	27th character																																																																																																							
SD752	30th character	29th character																																																																																																							
SD753	32nd character	31st character																																																																																																							
SD754	34th character	33rd character																																																																																																							
SD755	36th character	35th character																																																																																																							
SD756	38th character	37th character																																																																																																							
SD757	40th character	39th character																																																																																																							
SD758	42nd character	41st character																																																																																																							
SD759	44th character	43rd character																																																																																																							
SD760	46th character	45th character																																																																																																							
SD761	48th character	47th character																																																																																																							
SD762	50th character	49th character																																																																																																							
SD763	52nd character	51st character																																																																																																							
SD764	54th character	53rd character																																																																																																							
SD765	56th character	55th character																																																																																																							
SD766	58th character	57th character																																																																																																							
SD767	60th character	59th character																																																																																																							
SD768	62nd character	61st character																																																																																																							
SD769	64th character	63rd character																																																																																																							
SD774	PID limit setting (for complete derivative)	0: With limit 1: Without limit	<p>This register stores the limit of each PID loop as shown below.</p> <table border="1"> <thead> <tr> <th></th> <th>b15 to b8</th> <th>b7 to b1</th> <th>b0</th> </tr> </thead> <tbody> <tr> <td>SD774</td> <td>Loop8</td> <td>Loop2</td> <td>Loop1</td> </tr> </tbody> </table>		b15 to b8	b7 to b1	b0	SD774	Loop8	Loop2	Loop1	U	New	Q00J/Q00 /Q01*1																																																																																											
			b15 to b8	b7 to b1	b0																																																																																																				
SD774	Loop8	Loop2	Loop1																																																																																																						
SD774 to SD775	<p>This register stores the limit of each PID loop as shown below.</p> <table border="1"> <thead> <tr> <th></th> <th>b15 to b16</th> <th>b1 to b17</th> <th>b0</th> </tr> </thead> <tbody> <tr> <td>SD774</td> <td>Loop16</td> <td>Loop2</td> <td>Loop1</td> </tr> <tr> <td>SD775</td> <td>Loop32</td> <td>Loop18</td> <td>Loop17</td> </tr> </tbody> </table>		b15 to b16	b1 to b17	b0	SD774	Loop16	Loop2	Loop1	SD775	Loop32	Loop18	Loop17	Qn(H) QnPRH QnU LCPU																																																																																											
	b15 to b16	b1 to b17	b0																																																																																																						
SD774	Loop16	Loop2	Loop1																																																																																																						
SD775	Loop32	Loop18	Loop17																																																																																																						

Number	Name	Meaning	Explanation	Set by (When Set)	Corresponding ACPU D9□□□	Corresponding CPU
	Refresh processing selection when the COM/CCOM instruction is executed	b0 to b14 0: Refresh not performed 1: Refresh performed b15 0: Service processing performed 1: Service processing not performed	<ul style="list-style-type: none"> Selects whether or not the data is refreshed when the COM instruction is executed. Designation of SD778 is made valid when SM775 turns ON.  <ul style="list-style-type: none"> Refresh between multiple CPUs by the COM instruction is performed under the following conditions. Data reception from another CPU: When b4 of SD778 is "1" Data transmission from host CPU: When b15 of SD778 is "0" 	U	New	Q00J/Q00/Q01 ^{*1} Qn(H) ^{*2}
SD778	Refresh processing selection when the COM/CCOM instruction is executed	b0 to b14 0: Refresh not performed 1: Refresh performed b15 0: Service processing performed 1: Service processing not performed	<ul style="list-style-type: none"> Select whether or not each processing is performed when the COM instruction is executed. Designation of SD778 is made valid when SM775 turns ON.  <ul style="list-style-type: none"> Refresh between multiple CPUs by the COM instruction is performed under the following conditions. Data reception from another CPU: When b4 of SD778 is "1" Data transmission from host CPU: When b15 of SD778 is "0" When b2 of SD778 is 1, both CC-Link IE Controller Network and MELSECNET/H perform a refresh. Therefore, when refresh point is large, processing time for the COM instruction is extended. 	U	New	Qn(H) ^{*4} QnPH ^{*3} QnPRH

A

Number	Name	Meaning	Explanation	Set by (When Set)	Corresponding ACPU D9□□□	Corresponding CPU																																																				
		b0 to b6, b13 0: Refresh not performed 1: Refresh performed b15 0: Service processing performed 1: Service processing not performed	<ul style="list-style-type: none"> Select whether to perform each processing or not when the COM/CCOM instruction is executed. The specification in this register is effective when SM775 is on. <table border="1" style="margin-left: auto; margin-right: auto;"> <tr> <td>b15</td><td>b14</td><td>b13</td><td>b12</td><td>...</td><td>b7</td><td>b6</td><td>b5</td><td>b4</td><td>b3</td><td>b2</td><td>b1</td><td>b0</td> </tr> <tr> <td>1/0</td><td>0</td><td>1/0</td><td>0</td><td></td><td>1/0</td><td>1/0</td><td>1/0</td><td>1/0</td><td>1/0</td><td>1/0</td><td>1/0</td><td>1/0</td> </tr> <tr> <td>↑</td><td></td><td>↑</td><td></td><td></td><td>↑</td><td>↑</td><td>↑</td><td>↑</td><td>↑</td><td>↑</td><td>↑</td><td>↑</td> </tr> <tr> <td>(9)</td><td></td><td>(8)</td><td></td><td></td><td>(7)</td><td>(6)</td><td>(5)</td><td>(4)</td><td>(3)</td><td>(2)</td><td>(1)</td><td></td> </tr> </table> <p>(1)I/O refresh (2)CC-Link refresh (3)CC-Link IE Controller Network and MELSECNET/H refresh (4)Intelligent function module refresh (5)Auto refresh using the QCPU standard area and I/O sharing of the multiple CPU system (6)Auto refresh using the multiple CPU high speed transmission area of the multiple CPU system (7)CC-Link IE Field Network refresh (8)CC-Link IE Field Network Basic refresh (9)Service processing (data communications with the programming tool, GOT, or other external devices)</p>	b15	b14	b13	b12	...	b7	b6	b5	b4	b3	b2	b1	b0	1/0	0	1/0	0		1/0	1/0	1/0	1/0	1/0	1/0	1/0	1/0	↑		↑			↑	↑	↑	↑	↑	↑	↑	↑	(9)		(8)			(7)	(6)	(5)	(4)	(3)	(2)	(1)		U	New	QnU
b15	b14	b13	b12	...	b7	b6	b5	b4	b3	b2	b1	b0																																														
1/0	0	1/0	0		1/0	1/0	1/0	1/0	1/0	1/0	1/0	1/0																																														
↑		↑			↑	↑	↑	↑	↑	↑	↑	↑																																														
(9)		(8)			(7)	(6)	(5)	(4)	(3)	(2)	(1)																																															
SD778		b0, b1, b3, b6, b13 (Default: 0) 0: Refresh not performed 1: Refresh performed b14 0: Data communications with the display unit not performed 1: Data communications with the display unit performed b15 0: Service processing performed 1: Service processing not performed	<ul style="list-style-type: none"> Select whether to perform each processing or not when the COM/CCOM instruction is executed. The specification in this register is effective when SM775 is on. <table border="1" style="margin-left: auto; margin-right: auto;"> <tr> <td>b15</td><td>b14</td><td>b13</td><td>b12</td><td>...</td><td>b7</td><td>b6</td><td>b5</td><td>b4</td><td>b3</td><td>b2</td><td>b1</td><td>b0</td> </tr> <tr> <td>1/0</td><td>1/0</td><td>1/0</td><td>0</td><td></td><td>1/0</td><td>0</td><td>0</td><td>1/0</td><td>0</td><td>1/0</td><td>1/0</td><td>1/0</td> </tr> <tr> <td>↑</td><td>↑</td><td>↑</td><td></td><td></td><td>↑</td><td></td><td></td><td>↑</td><td></td><td>↑</td><td>↑</td><td>↑</td> </tr> <tr> <td>(7)</td><td>(6)</td><td>(5)</td><td></td><td></td><td>(4)</td><td></td><td></td><td>(3)</td><td></td><td>(2)</td><td>(1)</td><td></td> </tr> </table> <p>(1)I/O refresh (2)CC-Link refresh (3)Intelligent function module refresh (4)CC-Link IE Field Network refresh (5)CC-Link IE Field Network Basic refresh (6)Data communications with the display unit (7)Service processing (data communications with the programming tool, GOT, or other external devices)</p>	b15	b14	b13	b12	...	b7	b6	b5	b4	b3	b2	b1	b0	1/0	1/0	1/0	0		1/0	0	0	1/0	0	1/0	1/0	1/0	↑	↑	↑			↑			↑		↑	↑	↑	(7)	(6)	(5)			(4)			(3)		(2)	(1)		U	New	LCPU
b15	b14	b13	b12	...	b7	b6	b5	b4	b3	b2	b1	b0																																														
1/0	1/0	1/0	0		1/0	0	0	1/0	0	1/0	1/0	1/0																																														
↑	↑	↑			↑			↑		↑	↑	↑																																														
(7)	(6)	(5)			(4)			(3)		(2)	(1)																																															

Number	Name	Meaning	Explanation	Set by (When Set)	Corresponding ACPU D9□□□	Corresponding CPU																									
SD781 to SD785	Mask pattern of IMASK instruction	Mask pattern	<p>The mask patterns masked by the IMASK instruction are stored as follows.</p> <table border="1"> <tr> <td></td> <td>b15</td> <td></td> <td>b1</td> <td>b0</td> </tr> <tr> <td>SD781</td> <td>I63</td> <td>to</td> <td>I49</td> <td>I48</td> </tr> <tr> <td>SD782</td> <td>I79</td> <td>to</td> <td>I65</td> <td>I64</td> </tr> <tr> <td></td> <td colspan="4" style="text-align: center;">to</td> </tr> <tr> <td>SD785</td> <td>I127</td> <td>to</td> <td>I113</td> <td>I112</td> </tr> </table>		b15		b1	b0	SD781	I63	to	I49	I48	SD782	I79	to	I65	I64		to				SD785	I127	to	I113	I112	S (During execution)	New	Q00J/Q00/Q01
			b15		b1	b0																									
SD781	I63	to	I49	I48																											
SD782	I79	to	I65	I64																											
	to																														
SD785	I127	to	I113	I112																											
SD781 to SD793	<p>The mask patterns masked by the IMASK instruction are stored as follows.*1</p> <table border="1"> <tr> <td></td> <td>b15</td> <td></td> <td>b1</td> <td>b0</td> </tr> <tr> <td>SD781</td> <td>I63</td> <td>to</td> <td>I49</td> <td>I48</td> </tr> <tr> <td>SD782</td> <td>I79</td> <td>to</td> <td>I65</td> <td>I64</td> </tr> <tr> <td></td> <td colspan="4" style="text-align: center;">to</td> </tr> <tr> <td>SD793</td> <td>I255</td> <td>to</td> <td>I241</td> <td>I240</td> </tr> </table> <p>*1: The Q00UJCPU, Q00UCPU, and Q01UCPU cannot use SD786 to SD793.</p>		b15		b1	b0	SD781	I63	to	I49	I48	SD782	I79	to	I65	I64		to				SD793	I255	to	I241	I240	Qn(H) QnPH QnPRH QnU LCPU				
	b15		b1	b0																											
SD781	I63	to	I49	I48																											
SD782	I79	to	I65	I64																											
	to																														
SD793	I255	to	I241	I240																											
SD794	PID limit setting (for incomplete derivative)	0: With limit 1: Without limit	<p>This register stores the limit of each PID loop as shown below.</p> <table border="1"> <tr> <td></td> <td>b15</td> <td>to</td> <td>b8</td> <td>b7</td> <td>to</td> <td>b1</td> <td>b0</td> </tr> <tr> <td>SD794</td> <td colspan="2" style="border: none;">/</td> <td>Loop8</td> <td>to</td> <td>Loop2</td> <td>Loop1</td> <td></td> </tr> </table>		b15	to	b8	b7	to	b1	b0	SD794	/		Loop8	to	Loop2	Loop1		U	New	Q00J/Q00 /Q01*1									
			b15	to	b8	b7	to	b1	b0																						
SD794	/		Loop8	to	Loop2	Loop1																									
SD794 to SD795	<p>This register stores the limit of each PID loop as shown below.</p> <table border="1"> <tr> <td></td> <td>b15</td> <td>to</td> <td>b1</td> <td>b0</td> </tr> <tr> <td>SD794</td> <td>Loop16</td> <td>to</td> <td>Loop2</td> <td>Loop1</td> </tr> <tr> <td>SD795</td> <td>Loop32</td> <td>to</td> <td>Loop18</td> <td>Loop17</td> </tr> </table>		b15	to	b1	b0	SD794	Loop16	to	Loop2	Loop1	SD795	Loop32	to	Loop18	Loop17	Qn(H)*4 QnPRH QnU LCPU														
	b15	to	b1	b0																											
SD794	Loop16	to	Loop2	Loop1																											
SD795	Loop32	to	Loop18	Loop17																											



Number	Name	Meaning	Explanation	Set by (When Set)	Corresponding ACPU D9□□□	Corresponding CPU
SD796	Maximum number of blocks used for the multiple CPU high-speed transmission dedicated instruction (for CPU No.1)	Range of the maximum number of blocks: 1 to 7 (default: 2) If the number out of the range is set, the number 7 is set.*6	Specifies the maximum number of blocks used for the multiple CPU high-speed transmission dedicated instruction (target CPU=CPU No.1). When the multiple CPU high-speed transmission dedicated instruction is executed to the CPU No.1, and the number of empty blocks of the dedicated instruction transmission area is less than the setting value of this register, SM796 is turned ON, which is used as the interlock signal for consecutive execution of the multiple CPU high-speed transmission dedicated instruction.	U (At 1 scan after RUN)	New	QnU*5
SD797	Maximum number of blocks used for the multiple CPU high-speed transmission dedicated instruction (for CPU No.2)		Specifies the maximum number of blocks used for the multiple CPU high-speed transmission dedicated instruction (target CPU=CPU No.2). When the multiple CPU high-speed transmission dedicated instruction is executed to the CPU No.2, and the number of empty blocks of the dedicated instruction transmission area is less than the setting value of this register, SM797 is turned ON, which is used as the interlock signal for consecutive execution of the multiple CPU high-speed transmission dedicated instruction.			
SD798	Maximum number of blocks used for the multiple CPU high-speed transmission dedicated instruction (for CPU No.3)		Specifies the maximum number of blocks used for the multiple CPU high-speed transmission dedicated instruction (target CPU=CPU No.3). When the multiple CPU high-speed transmission dedicated instruction is executed to the CPU No.3, and the number of empty blocks of the dedicated instruction transmission area is less than the setting value of this register, SM798 is turned ON, which is used as the interlock signal for consecutive execution of the multiple CPU high-speed transmission dedicated instruction.			
SD799	Maximum number of blocks used for the multiple CPU high-speed transmission dedicated instruction for CPU No.4)		Specifies the maximum number of blocks used for the multiple CPU high-speed transmission dedicated instruction (target CPU=CPU No.4). When the multiple CPU high-speed transmission dedicated instruction is executed to the CPU No.4, and the number of empty blocks of the dedicated instruction transmission area is less than the setting value of this register, SM799 is turned ON, which is used as the interlock signal for consecutive execution of the multiple CPU high-speed transmission dedicated instruction.			

*1 Modules whose function version B or later

*2 Modules whose serial number (first five digits) is "04012" or later

*3 Modules whose serial number (first five digits) is "07032" or later

*4 Modules whose serial number (first five digits) is "09012" or later

*5 Universal model QCPU except the Q00UJCPU, Q00UCPU, Q01UCPU, and Q02UCPU

*6 The range is 1 to 9 (default: 2) for the Q03UDCPU, Q04UDHCPU, and Q06UDHCPU whose serial number (first five digits) is "10012" or earlier. If the number out of the range is set, the number 9 is set.

*7 Modules whose serial number (first five digits) is "20073" or later

(8) Debugging

Number	Name	Meaning	Explanation	Set by (When Set)	Corresponding ACPU D9□□□□	Corresponding CPU
SD830	Real-time monitor free buffer capacity	Real-time monitor free buffer capacity (K bytes)	The free buffer capacity of realtime monitor is stored in units of K bytes. A smaller value leads to a higher probability of the occurrence of processing overflow.	S (Status change)	New	LCPU ^{*2}
SD840	Debug function usage	Debug function usage	<p>This register indicates the status of the debug function usage as shown below.</p> <p>0: Forced on/off for external I/O 1: Executional conditioned device test 2 to 15: Empty (fixed at 0)</p> <p>(0: Not used, 1: Used)</p>	S (Status change)	New	QnU ^{*1} LCPU

*1 Modules whose serial number (first five digits) is "10042" or later

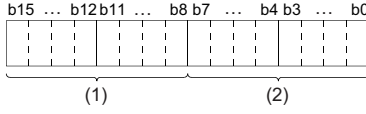
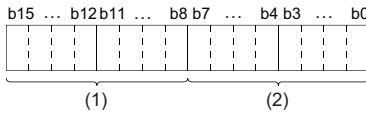
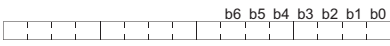
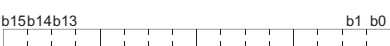
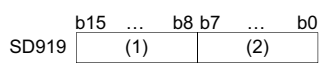
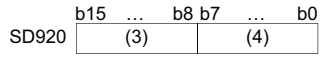
*2 Built-in Ethernet port LCPUs whose serial number (first five digits) is "16072" or later

(9) Latch area

Number	Name	Meaning	Explanation	Set by (When Set)	Corresponding ACPU D9□□□□	Corresponding CPU
SD909	Auto loading target folder number	Auto loading target folder number	<p>This register is used to specify the number of the folder targeted for auto loading.</p> <p>0 (default): "AutoLoad" folder 1 to 99: "AutoLoad**" folder (The folder number can be specified at ** (01 to 99).)</p> <p>The value 0 is stored upon successful completion of auto loading.</p>	S (When auto loading is completed)/ U	New	LCPU ^{*3}
SD910	CPU module data backup/ restoration function (backup function)	Backup function setting	<p>Set the execution timing of automatic backup with bit pattern. (OFF: Invalid, ON: Valid)</p> <p>b0: Automatic backup setting by specification of day and time b1: Automatic backup setting by specification of time and day of the week b5: Upper limit status setting for the number of backup data^{*5} b10: Retry execution for the automatic backup^{*5} b15: Setting for the automatic backup at occurrence of the CPU stop error (Multiple execution timings can be set.)</p>	U	New	QnUDV ^{*4} QnUDPV ^{*4}
SD912		Day and time setting for automatic backup [day]	<p>Set the day when an automatic backup by specification of day and time is operated in BCD.</p> <p>(1) Fixed to 00 (2) Day (1 to 31) Example: On the 15th of each month, SD912 = 0015_H</p>			

A

Appendix 3 List of Special Register Areas

Number	Name	Meaning	Explanation	Set by (When Set)	Corresponding ACPU D9□□□	Corresponding CPU
SD913	CPU module data backup/restoration function (backup function)	Day and time setting for automatic backup [hour and minute]	Set the hour and minute when an automatic backup by specification of the day and time is operated in BCD.  (1) Hour (0 to 23) (2) Minute (0 to 59) Example: For 8:30, SD913 = 0830 _H	U	New	QnUDV ^{*4} QnUDPV ^{*4}
SD914		Time and day of the week setting for automatic backup [hour and minute]	Set the hour and minute when an automatic backup by specification of the time and day of the week is operated in BCD.  (1) Hour (0 to 23) (2) Minute (0 to 59) Example: For 8:30, SD914 = 0830 _H			
SD915		Time and day of the week setting for automatic backup [day of the week]	Set the day of the week when an automatic backup by specification of the time and day of the week is operated in the following bit pattern. (OFF: Invalid, ON: Valid)  b0: Sunday, b1: Monday, b2: Tuesday, b3: Wednesday, b4: Thursday, b5: Friday, b6: Saturday (Multiple setting can be set simultaneously)			
SD916		Cause of error occurred at backup	This register stores the cause of an error that occurred during backup. 0 _H : No error Other than 0 _H : Error code (Page 259, Appendix 1.11) ("0" is stored at start of a backup of the CPU module.)			
SD917	CPU module data backup/restoration function (restoration function)	Restoration target data setting	Set the data to be restored. 0: Whole target data 1: Device data only 2: Whole target data except for device data	U	New	QnUDV ^{*4} QnUDPV ^{*4}
SD918		Restoration function setting	Set the restoration method with bit pattern. (OFF: Invalid, ON: Valid)  b0: Automatic restoration setting b1: Setting for the format at the automatic restoration b13: Restoration setting for the latest data b14: Restoration setting for the special relay and special register b15: Setting for the continuous operation from the state at backup			
SD919		Restoration target folder [year]	Set the date stamp folder to be restored in BCD.  SD919 (1) (2)			
SD920		Restoration target folder [month and day]	 SD920 (3) (4) (1) Year (first two digits) (0 to 99) (2) Year (last two digits) (0 to 99) (3) Month (1 to 12) (4) Day (1 to 31) Example: For the date stamp folder "20150615", SD919 = 2015 _H , SD920 = 0615 _H .			

Number	Name	Meaning	Explanation	Set by (When Set)	Corresponding ACPU D9□□□	Corresponding CPU																																																						
SD921	CPU module data backup/restoration function (restoration function)	Restoration target folder [Number]	Set the target folder to be restored. 1 to 32767: Serial number of the backup folder in the date stamp folder (00001 to 32767)	U	New	QnUDV*4 QnUDPV*4																																																						
SD922		Cause of error occurred during restoration	Store an error code of the error occurred during restoration. 0H: No error Other than 0H: Error code (Page 259, Appendix 1.11) ("0" is stored at start of a restoration of the CPU module.)	S (Error)																																																								
SD923		Upper limit value status for the number backup data	This register stores the value (1 to 100) that is set to SD1928. If bit5 of SD910 is off, 0 is stored.	S (Status change)	New	QnUDV*5 QnUDPV*5																																																						
SD927	Device information during "RAM ERROR" (error code: 1161)	Device name	<p>This register stores the device name that detected device memory data change.</p> <table border="1"> <thead> <tr> <th>Value</th> <th>Device name</th> <th>Value</th> <th>Device name</th> <th>Value</th> <th>Device name</th> </tr> </thead> <tbody> <tr> <td>0</td> <td>undetected</td> <td>8</td> <td>L</td> <td>16</td> <td>C (contact, coil)</td> </tr> <tr> <td>1</td> <td>Device used by system</td> <td>9</td> <td>B</td> <td>17</td> <td>T (current value)</td> </tr> <tr> <td>2</td> <td></td> <td>10</td> <td>F</td> <td>18</td> <td>ST (current value)</td> </tr> <tr> <td>3</td> <td>SM</td> <td>11</td> <td>SB</td> <td>19</td> <td>C (current value)</td> </tr> <tr> <td>4</td> <td>SD</td> <td>12</td> <td>V</td> <td>20</td> <td>D</td> </tr> <tr> <td>5</td> <td>X</td> <td>13</td> <td>S</td> <td>21</td> <td>W</td> </tr> <tr> <td>6</td> <td>Y</td> <td>14</td> <td>T (contact, coil)</td> <td>22</td> <td>SW</td> </tr> <tr> <td>7</td> <td>M</td> <td>15</td> <td>ST (contact, coil)</td> <td>-1</td> <td>unidentified</td> </tr> </tbody> </table>	Value	Device name	Value	Device name	Value	Device name	0	undetected	8	L	16	C (contact, coil)	1	Device used by system	9	B	17	T (current value)	2		10	F	18	ST (current value)	3	SM	11	SB	19	C (current value)	4	SD	12	V	20	D	5	X	13	S	21	W	6	Y	14	T (contact, coil)	22	SW	7	M	15	ST (contact, coil)	-1	unidentified	S (Error)	New	QnU*1 LCPU*2
Value		Device name	Value	Device name	Value	Device name																																																						
0	undetected	8	L	16	C (contact, coil)																																																							
1	Device used by system	9	B	17	T (current value)																																																							
2		10	F	18	ST (current value)																																																							
3	SM	11	SB	19	C (current value)																																																							
4	SD	12	V	20	D																																																							
5	X	13	S	21	W																																																							
6	Y	14	T (contact, coil)	22	SW																																																							
7	M	15	ST (contact, coil)	-1	unidentified																																																							
SD928	Device number	<p>This register stores the device number that detected device memory data change (lower word)</p> <p>1) Word devices (SD, T (current value), ST (current value), C (current value), D, W, SW) The device number that detected an error is stored. Example: When SD927 stores 20 and SD928 stores 10, "RAM ERROR" (error code: 1161) is detected at D10.</p> <p>2) Bit devices (SM, X, Y, M, L, B, F, SB, V, S) The device number that detected an error is stored in units of 16 points. Example: When SD927 stores 9 and SD928 stores 48, "RAM ERROR" (error code: 1161) is detected at any of B30 to B3F.</p> <div style="text-align: center;"> <p>Device number stored in SD928</p> <p>B3F to B30</p> </div> <p>An error is detected at any of them.</p> <p>3) T (contact, coil), ST (contact, coil), C (contact, coil) The device number that detected an error is stored in units of 8 points. Example: When SD927 stores 14 and SD928 stores 48, "RAM ERROR" (error code: 1161) is detected at any of T48 to T55.</p> <div style="text-align: center;"> <p>Device number stored in SD928</p> <p>T55 to T48</p> </div> <p>An error is detected at any of them.</p> <p>4) When the device number cannot be determined "0" (fixed value) is stored.</p>																																																										

*1 Modules whose serial number (first five digits) is "13022" or later
 *2 Modules whose serial number (first five digits) is "13102" or later
 *3 Modules whose serial number (first five digits) is "14042" or later
 *4 Modules whose serial number (first five digits) is "17103" or later
 *5 Modules whose serial number (first five digits) is "18052" or later

A

Appendix 3 List of Special Register Areas

(10) Redundant CPU information (host system CPU information*1)

Number	Name	Meaning	Explanation	Set by (When Set)	Corresponding ACPU D9□□□	Corresponding CPU
SD952	History of memory copy from control system to standby system	Latest status of memory copy from control system to standby system	<p>This register stores a value indicating the completion status of the latest memory data copy from the control system to the standby system.</p> <p>1) The value same as the SD1596 value is stored at completion or abend of the memory data copy from the control system to the standby system.</p> <p>2) Since data have been backed up in case of power failure, this register holds the value indicating the latest memory data copy status from the control system to the standby system.</p> <p>3) This register is cleared to 0 by latch clear.</p>	S (Status change)	New	QnPRH

*1 The information of the host CPU module is stored.

(11) Remote password count

Number	Name	Meaning	Explanation	Set by (When Set)	Corresponding ACPU D9□□□	Corresponding CPU
SD979	Direct MELSOFT connection	Count of unlock processing failures	<p>This register stores the number of mismatched password entries.</p> <p>Range: 0 to 0FFFE_H (0FFFF_H when the range is exceeded)</p>	S (Status change)	New	QnU*1 LCPU*1
SD980 to SD995	Connection 1 to 16					
SD997	MELSOFT connection using UDP port					
SD998	MELSOFT connection using TCP port					
SD999	FTP communication port					

*1 Built-in Ethernet port QCPU and Built-in Ethernet port LCPU

(12) Conversion from A series to Q or L series

The special register (D9000 to D9255) for ACPU corresponds to the special register (SD1000 to SD1255) for QCPU or LCPU after the A to Q/L conversion. (Note that the Basic model QCPU and Redundant CPU do not support the A to Q/L conversion.)

All data in this area of the special register are set by system (cannot be set by user using a program). To set data by user, correct the program using the special register for QCPU or LCPU. The special register (D9200 to D9255), however, includes the areas that can be set by user. For those areas, data can be set by user in the converted special register (SD1200 to SD1255) as well. For details on the special register for ACPU, refer to the following.

User's manual for the CPU module used

Type MELSECNET, MELSECNET/B Data Link System Reference Manual

Point

To use the converted special register in the High Performance model QCPU, Process CPU, Universal model QCPU, or LCPU, check "Use special relay/special register from SM/SD1000" under "A-PLC Compatibility Setting".

Project window ⇒ [Parameter] ⇒ [PLC Parameter] ⇒ [PLC System]

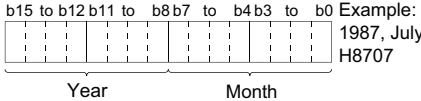
Note that the processing time will increase when the converted special register is used.

[How to read the Special Register for Modification column]

- If the special register number for QCPU or LCPU is provided, correct the program using it.
- means that the converted special register can be used.
- means that the special register cannot be used in QCPU or LCPU.

ACPU special register	Special register after conversion	Special register after modification	Name	Meaning	Explanation	Corresponding CPU																																								
D9000	SD1000	—	Fuse blown	Number of module with blown fuse	<ul style="list-style-type: none"> • If a module with blown fuse is detected, the lowest first I/O number of the module is stored in hexadecimal. (Example: If a fuse blown is occurred in the output module with output number Y50 to Y6F, "50" is stored in hexadecimal.) To monitor the number by a programming tool, monitor in hexadecimal. (This register is cleared when contents in SD1100 to SD1107 are all reset to "0".) • Output modules on remote I/O stations are also checked for blown fuse. 	Qn(H) QnPH QnU ^{*1} LCPU ^{*2}																																								
D9001	SD1001	—	Fuse blown	Number of module with blown fuse	<ul style="list-style-type: none"> • If any fuse is blown, this register stores a number corresponding to each setting switch number or to slot number of the base unit. <table border="1" style="margin-left: 20px;"> <thead> <tr> <th colspan="2">AJ02 I/O module</th> <th colspan="2">Extension base unit</th> </tr> <tr> <th>Setting switch</th> <th>Stored data</th> <th>Base unit slot No.</th> <th>Stored data</th> </tr> </thead> <tbody> <tr><td>0</td><td>0</td><td>0</td><td>4</td></tr> <tr><td>1</td><td>1</td><td>1</td><td>5</td></tr> <tr><td>2</td><td>2</td><td>2</td><td>6</td></tr> <tr><td>3</td><td>3</td><td>3</td><td>7</td></tr> <tr><td>4</td><td>4</td><td></td><td></td></tr> <tr><td>5</td><td>5</td><td></td><td></td></tr> <tr><td>6</td><td>6</td><td></td><td></td></tr> <tr><td>7</td><td>7</td><td></td><td></td></tr> </tbody> </table> <ul style="list-style-type: none"> • For the remote I/O station, the value of (module I/O No./10_H) + 1 is stored. 	AJ02 I/O module		Extension base unit		Setting switch	Stored data	Base unit slot No.	Stored data	0	0	0	4	1	1	1	5	2	2	2	6	3	3	3	7	4	4			5	5			6	6			7	7			Qn(H) QnPH
AJ02 I/O module		Extension base unit																																												
Setting switch	Stored data	Base unit slot No.	Stored data																																											
0	0	0	4																																											
1	1	1	5																																											
2	2	2	6																																											
3	3	3	7																																											
4	4																																													
5	5																																													
6	6																																													
7	7																																													

ACPU special register	Special register after conversion	Special register after modification	Name	Meaning	Explanation	Corresponding CPU
D9002	SD1002	—	I/O module verify error	I/O module verify error module number	<ul style="list-style-type: none"> If the status of the I/O modules changes from that obtained at power-on, the lowest first I/O number of the module is stored in hexadecimal. (Example: If a module verification error is occurred on the output module with output numbers Y50 to Y6F, "50" is stored in hexadecimal.) To monitor the number by a programming tool, monitor in hexadecimal. (This register is cleared when contents in SD1116 to SD1123 are all reset to "0".) I/O module verification is conducted on I/O modules on remote I/O stations. 	Qn(H) QnPH QnU*1 LCPU
D9005	SD1005	-	AC DOWN counter	Number of times for AC DOWN	<ul style="list-style-type: none"> A value stored in this register is incremented by one whenever the input voltage falls to or below 85% (AC power) or 65% (DC power) of the rating during operation of the CPU module. The counter starts the routine: counts up from 0 to 32767, then counts down to -32768 and then again counts up to 0. 	Qn(H) QnPH QnU*1 LCPU
D9008	SD1008	SD0	Self-diagnostic error	Self-diagnostic error number	This register stores the error code of an error detected by self-diagnostics.	
D9009	SD1009	SD62	Annunciator detection	F number at which external failure has occurred	<ul style="list-style-type: none"> When any of F0 to F2047 (default device setting) is turned on by the OUT F or SET F instruction, the F number that has been detected earliest among the F numbers that have turned on is stored in BIN code. SD1009 can be cleared by RST F or LEDR instruction. If another F number has been detected, the clearing of SD1009 causes the next number to be stored in SD1009. 	Qn(H) QnPH QnU*1 LCPU
D9010	SD1010	×	Error step	Step number at which operation error has occurred.	If an operation error occurred during execution of an application instruction, the number of the step having the error is stored. The contents of SD1010 are updated upon every operation error.	Qn(H) QnPH
D9011	SD1011	×		Step number at which operation error has occurred.	If an operation error occurred during execution of an application instruction, the number of the step having the error is stored. Because the step number is stored in SD1011 when SM1011 turns from off to on, the data in SD1011 are not updated unless SM1011 is cleared by a user program	
D9014	SD1014	×	I/O control mode	I/O control mode number	<p>The I/O control mode that has been set is returned in any of the following numbers.</p> <ul style="list-style-type: none"> 0: Both input and output in direct mode 1: Input in refresh mode, output in direct mode 3: Both input and output in refresh mode 	Qn(H) QnPH
D9015	SD1015	SD203	Operating status of CPU	Operating status of CPU	<p>Operation status of a CPU module is stored as shown below.</p> <p>*1 For the High Performance model QCPU and Process CPU, if the CPU module is running and SM1040 is off, the CPU module remains in the RUN status even though it is set to the PAUSE status.</p>	Qn(H) QnPH QnU*1 LCPU

ACPU special register	Special register after conversion	Special register after modification	Name	Meaning	Explanation	Corresponding CPU
D9016	SD1016	×	Program number	0: Main program (ROM) 1: Main program (RAM) 2: Subprogram 1 (RAM) 3: Subprogram 2 (RAM) 4: Subprogram 3 (RAM) 5: Subprogram 1 (ROM) 6: Subprogram 2 (ROM) 7: Subprogram 3 (ROM) 8: Main program (E ² PROM) 9: Subprogram 1 (E ² PROM) A: Subprogram 2 (E ² PROM) B: Subprogram 3 (E ² PROM)	This register stores any of the values from 0 to B, indicating which program is currently running.	Qn(H) QnPH
D9017	SD1017	SD524	Scan time	Minimum scan time (10ms units)	If a scan time value is smaller than the value in SD1017, the SD1017 value is updated in the END processing. Therefore the minimum value of scan time is stored in SD1017.	Qn(H) QnPH QnU ^{*1} LCPU
D9018	SD1018	SD520		Scan time (10ms units)	This register stores a scan time in every END processing.	
D9019	SD1019	SD526		Maximum scan time (10ms units)	If a scan time value is greater than the value in SD1019, the SD1019 value is updated in END processing. Therefore the maximum value of scan time is stored in SD1019.	
D9020	SD1020	×	Constant scan	Constant scan time (User sets in 10ms units)	This register stores an interval value in units of 10ms to run a program at regular intervals. • 0: No constant scan function • 1 to 200: Constant scan function available (executing at an interval of setting value × 10ms)	Qn(H) QnPH
D9021	SD1021	—	Scan time	Scan time (1ms units)	This register stores scan time in every END processing.	Qn(H) QnPH QnU ^{*1} LCPU
D9022	SD1022	SD412	1 second counter	Count in units of 1s.	• The value is incremented by one every second after RUN. • The counter starts the routine: counts up from 0 to 32767, then counts down to -32768 and then again counts up to 0.	Qn(H) QnPH QnU ^{*1} LCPU
D9025	SD1025	—	Clock data	Clock data (year, month)	This register stores the year (last two digits) and month in BCD as shown below. b15 to b12 b11 to b8 b7 to b4 b3 to b0 Example: 1987, July H8707 	Qn(H) QnPH QnU ^{*1} LCPU

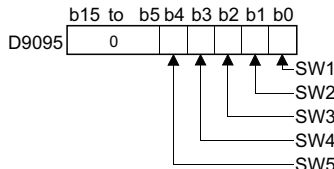
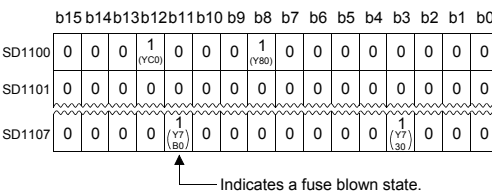
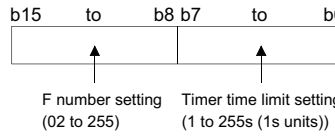
A

Appendix 3 List of Special Register Areas

ACPU special register	Special register after conversion	Special register after modification	Name	Meaning	Explanation	Corresponding CPU																
D9026	SD1026	—	Clock data	Clock data (day, hour)	This register stores the day and hour in BCD as shown below. <div style="display: flex; align-items: center;"> <div style="border: 1px solid black; padding: 2px; margin-right: 5px;">b15 to b12</div> <div style="border: 1px solid black; padding: 2px; margin-right: 5px;">b11 to b8</div> <div style="border: 1px solid black; padding: 2px; margin-right: 5px;">b7 to b4</div> <div style="border: 1px solid black; padding: 2px;">b3 to b0</div> </div> <p style="margin-left: 40px;">Day Hour</p> <p style="margin-left: 40px;">Example: 31st, 10 a.m. H3110</p>	Qn(H) QnPH QnU*1 LCPU																
D9027	SD1027	—	Clock data	Clock data (minute, second)	This register stores the minute and the second in BCD as shown below. <div style="display: flex; align-items: center;"> <div style="border: 1px solid black; padding: 2px; margin-right: 5px;">b15 to b12</div> <div style="border: 1px solid black; padding: 2px; margin-right: 5px;">b11 to b8</div> <div style="border: 1px solid black; padding: 2px; margin-right: 5px;">b7 to b4</div> <div style="border: 1px solid black; padding: 2px;">b3 to b0</div> </div> <p style="margin-left: 40px;">Minute Second</p> <p style="margin-left: 40px;">Example: 35 min, 48 sec. H3548</p>	Qn(H) QnPH QnU*1 LCPU																
D9028	SD1028	—	Clock data	Clock data (day of week)	This register stores the day of the week in BCD as shown below. <div style="display: flex; align-items: center;"> <div style="border: 1px solid black; padding: 2px; margin-right: 5px;">b15 to b12</div> <div style="border: 1px solid black; padding: 2px; margin-right: 5px;">b11 to b8</div> <div style="border: 1px solid black; padding: 2px; margin-right: 5px;">b7 to b4</div> <div style="border: 1px solid black; padding: 2px;">b3 to b0</div> </div> <p style="margin-left: 40px;">Always set "0"</p> <p style="margin-left: 40px;">Example: Friday H0005</p> <table border="1" style="margin-left: 40px; border-collapse: collapse;"> <thead> <tr> <th colspan="2">Day of the week</th> </tr> </thead> <tbody> <tr><td>0</td><td>Sunday</td></tr> <tr><td>1</td><td>Monday</td></tr> <tr><td>2</td><td>Tuesday</td></tr> <tr><td>3</td><td>Wednesday</td></tr> <tr><td>4</td><td>Thursday</td></tr> <tr><td>5</td><td>Friday</td></tr> <tr><td>6</td><td>Saturday</td></tr> </tbody> </table>	Day of the week		0	Sunday	1	Monday	2	Tuesday	3	Wednesday	4	Thursday	5	Friday	6	Saturday	Qn(H) QnPH QnU*1 LCPU
Day of the week																						
0	Sunday																					
1	Monday																					
2	Tuesday																					
3	Wednesday																					
4	Thursday																					
5	Friday																					
6	Saturday																					
D9035	SD1035	SD648	Extension file register	Use block No.	Stores the block No. of the extension file register being used in BCD code.	Qn(H) QnPH QnU*1 LCPU																
D9036	SD1036	×	Extension file register for designation of device number	Device number when individual devices from extension file register are directly accessed	Designate the device number for the extension file register for direct read and write in 2 words at SD1036 and SD1037 in BIN data. Use consecutive numbers beginning with R0 of block No. 1 to designate device numbers. <div style="display: flex; align-items: center;"> <div style="border: 1px solid black; padding: 2px; margin-right: 10px;">Device No. (BIN data)</div> <div style="margin-right: 10px;">→</div> <div style="border: 1px solid black; padding: 2px;"> <table style="border-collapse: collapse;"> <tr> <td style="padding: 2px;">0 to 16383</td> <td style="padding: 2px;">Block No.1 area</td> </tr> <tr> <td style="padding: 2px;">16384 to</td> <td style="padding: 2px;">Block No.2 area</td> </tr> <tr> <td style="padding: 2px;">to</td> <td style="padding: 2px;">to</td> </tr> </table> </div> </div>	0 to 16383	Block No.1 area	16384 to	Block No.2 area	to	to	Qn(H) QnPH										
0 to 16383	Block No.1 area																					
16384 to	Block No.2 area																					
to	to																					
D9037	SD1037	×																				
D9038	SD1038	SD207	LED display priority ranking	Priorities 1 to 4	<ul style="list-style-type: none"> This register stores priority of errors to be indicated by the ERROR LED (on or flashing). Configuration of the priority setting areas is as shown below. <div style="display: flex; align-items: center;"> <div style="border: 1px solid black; padding: 2px; margin-right: 5px;">b15 to b12</div> <div style="border: 1px solid black; padding: 2px; margin-right: 5px;">b11 to b8</div> <div style="border: 1px solid black; padding: 2px; margin-right: 5px;">b7 to b4</div> <div style="border: 1px solid black; padding: 2px;">b3 to b0</div> </div> <table style="margin-left: 40px; border-collapse: collapse;"> <tr> <td style="border: 1px solid black; padding: 2px;">SD207</td> <td style="border: 1px solid black; padding: 2px;">Priority 4</td> <td style="border: 1px solid black; padding: 2px;">Priority 3</td> <td style="border: 1px solid black; padding: 2px;">Priority 2</td> <td style="border: 1px solid black; padding: 2px;">Priority 1</td> </tr> <tr> <td style="border: 1px solid black; padding: 2px;">SD208</td> <td style="border: 1px solid black; padding: 2px;">Priority 7</td> <td style="border: 1px solid black; padding: 2px;">Priority 6</td> <td style="border: 1px solid black; padding: 2px;">Priority 5</td> <td style="border: 1px solid black; padding: 2px;"></td> </tr> </table>	SD207	Priority 4	Priority 3	Priority 2	Priority 1	SD208	Priority 7	Priority 6	Priority 5		Qn(H) QnPH						
SD207	Priority 4	Priority 3		Priority 2		Priority 1																
SD208	Priority 7	Priority 6	Priority 5																			
D9039	SD1039	SD208	Priorities 5 to 7	<ul style="list-style-type: none"> For details, refer to the following. User's manual of the CPU module used Type ACPU/QCPU-A (A Mode) Programming Manual (Fundamentals) 																		
D9044	SD1044	×	For sampling trace	Step or time during sampling trace	To operate the STRA or STRAR instruction of a sampling trace by turning on or off SM803 with a programming tool, use the value stored in SD1044 as the sampling trace condition. <ul style="list-style-type: none"> When "Each scan" is selected: 0 When a timing is specified: setting value (Unit: 10ms) 	Qn(H) QnPH																

ACPU special register	Special register after conversion	Special register after modification	Name	Meaning	Explanation	Corresponding CPU				
D9049	SD1049	×	Work area for SFC	Block number of extension file register	<ul style="list-style-type: none"> This register stores the block No. of the extended file register used as a work area for executing the SFC program. This register stores "0" when SM320 is off and when empty area of 16K bytes or smaller is used (16K byte or less is too small to be used as block No.1 for an extended file register). 	Qn(H) QnPH				
D9050	SD1050	×	SFC program error number	Error code generated by SFC program	<p>This register stores an error code of the error occurred in the SFC program.</p> <ul style="list-style-type: none"> 0: No error 80: SFC program parameter error 81: SFC code error 82: Number of steps of simultaneous execution exceeded 83: Block start error 84: SFC program operation error 	Qn(H) QnPH				
D9051	SD1051	×	Error block	Block number where error occurred	This register stores the number of the block in the SFC program where an error occurred. For error 83, the number of the block where the program was started is stored.	Qn(H) QnPH				
D9052	SD1052	×	Error step	Step number where error occurred	<ul style="list-style-type: none"> This register stores the number of the step in the SFC program where error 83 occurred. For error 80, 81, and 82, "0" is stored. For error 83, the block starting step number is stored. 	Qn(H) QnPH				
D9053	SD1053	×	Error transition	Transition condition number where error occurred	This register stores the number of the transition condition in the SFC program where error code 84 occurred. For error codes 80, 81, 82, and 83, "0" is stored.	Qn(H) QnPH				
D9054	SD1054	×	Error sequence step	Sequence step number where error occurred	This register stores the sequence step number of transfer condition and operation output in the SFC program where error 84 occurred.	Qn(H) QnPH				
D9055	SD1055	SD812	Status latch execution step number	Status latch execution step number	<ul style="list-style-type: none"> This register stores the number of the step where a status latch was executed. When a status latch was executed in a main sequence program, the step No. is stored. When a status latch was executed in a SFC program, the block number and step number are stored. <table border="1" style="margin-left: auto; margin-right: auto;"> <tr> <td style="text-align: center;">Block No. (BIN)</td> <td style="text-align: center;">Step No. (BIN)</td> </tr> <tr> <td style="text-align: center;">← Upper 8 bits →</td> <td style="text-align: center;">← Lower 8 bits →</td> </tr> </table>	Block No. (BIN)	Step No. (BIN)	← Upper 8 bits →	← Lower 8 bits →	Qn(H) QnPH
Block No. (BIN)	Step No. (BIN)									
← Upper 8 bits →	← Lower 8 bits →									
D9072	SD1072	×	PLC communication check	Data check of serial communication module	The serial communication module automatically reads and writes data in a single loopback test to perform communication check.	Qn(H) QnPH				
D9085	SD1085	×	Register for setting time check value	1s to 65535s	<p>Sets the time check time of the data link instructions (ZNRD, ZNWR) for the MELSECNET/10.</p> <ul style="list-style-type: none"> Setting range: 1s to 65535s (1 to 65535) Unit: second Default: 10s (If 0 has been set) 	Qn(H) QnPH				
D9090	SD1090	×	Microcomputer subroutine input data area start device number	Depends on microcomputer package.	For details, refer to the following. Manual for respective microcomputer package	Qn(H) QnPH				
D9091	SD1091	×	Detailed error code	Self-diagnosis detailed error code	This register stores description of the error cause of an instruction error.	Qn(H) QnPH QnU*1 LCPU				

A

ACPU special register	Special register after conversion	Special register after modification	Name	Meaning	Explanation	Corresponding CPU
D9094	SD1094	SD251	Start I/O number of I/O module to be replaced	Start I/O number of I/O module to be replaced	This register stores the first two digits of the start I/O number of an I/O module, which is to be removed and mounted online (with power on). Example) Input module with I/O No. X2F0 → H2F	Qn(H) QnPH
D9095	SD1095	SD200	DIP switch information	DIP switch information	This register stores a status of the DIP switch of the CPU module in the following format. • 0: OFF • 1: ON 	Qn(H) QnPH
D9100	SD1100	—	Fuse blown module	Bit pattern in units of 16 points, indicating the modules whose fuses have blown	<ul style="list-style-type: none"> The number of an output module whose fuse has blown is stored in the following bit pattern (in units of 16 points). (If the module numbers are set by parameter, the parameter-set numbers are stored.)  <ul style="list-style-type: none"> For a module whose number of output points exceeds 16 points, all bits corresponding to output module numbers within the number of output points occupied by the module (in increments of 16 points) turn on. Example: When a 64-point module is mounted on the slot 0, b0 to b3 turn on when the fuse has blown. Output modules on remote I/O stations are also checked for blown fuse. (This register must be cleared by a program because the bit status remains unchanged even after clearing the error.) 	Qn(H) QnPH QnU*1 LCPU*2
D9101	SD1101					
D9102	SD1102					
D9103	SD1103					
D9104	SD1104					
D9105	SD1105					
D9106	SD1106					
D9107	SD1107					
D9108	SD1108	—	Step transfer monitoring timer setting	Timer setting valve and the F number at time out	<ul style="list-style-type: none"> This register stores a value set for step transition monitoring timer and the number of an annunciator (F number) that turns on if the monitoring timer times out.  <ul style="list-style-type: none"> Turning on any of registers SM1108 to SM1114 activates a monitoring timer. If the transition condition for the step is not established before the timeout time, the annunciator (F) turns on. 	Qn(H) QnPH
D9109	SD1109					
D9110	SD1110					
D9111	SD1111					
D9112	SD1112					
D9113	SD1113					
D9114	SD1114					

ACPU special register	Special register after conversion	Special register after modification	Name	Meaning	Explanation	Corresponding CPU																																																																																																							
D9116	SD1116	—	I/O module verification error	Bit pattern, in units of 16 points, indicating the modules with verification errors	<p>• If the status of the I/O module changes from that obtained at power-on, the module No. (unit: 16 points) is stored in the following bit pattern. (When I/O module numbers have been set by the parameter, the parameter-set numbers are stored.)</p> <table border="1"> <tr> <td></td> <td>b15</td><td>b14</td><td>b13</td><td>b12</td><td>b11</td><td>b10</td><td>b9</td><td>b8</td><td>b7</td><td>b6</td><td>b5</td><td>b4</td><td>b3</td><td>b2</td><td>b1</td><td>b0</td> </tr> <tr> <td>SD1116</td> <td>0</td><td>0</td><td>0</td><td>0</td><td>0</td><td>0</td><td>0</td><td>0</td><td>0</td><td>0</td><td>0</td><td>0</td><td>0</td><td>0</td><td>0</td><td>1</td> </tr> <tr> <td>SD1117</td> <td>0</td><td>0</td><td>0</td><td>0</td><td>0</td><td>0</td><td>0</td><td>1</td><td>0</td><td>0</td><td>0</td><td>0</td><td>0</td><td>0</td><td>0</td><td>0</td> </tr> <tr> <td>SD1123</td> <td>0</td><td>0</td><td>0</td><td>0</td><td>0</td><td>0</td><td>0</td><td>1</td><td>0</td><td>0</td><td>0</td><td>0</td><td>0</td><td>0</td><td>0</td><td>0</td> </tr> </table> <p style="text-align: center;">↑ Indicates an I/O module verify error</p> <p>For a module whose number of I/O points exceeds 16 points, all bits corresponding to I/O module numbers within the number of I/O points occupied by the module (in increments of 16 points) turn on. Example: When a 64-point module is mounted on the slot 0, b0 to b3 turn on when an error is detected.</p> <p>• I/O module verification is conducted on I/O modules on remote I/O stations. (If normal status is restored, clear is not performed. Therefore, it is required to perform clear by user program.)</p>		b15	b14	b13	b12	b11	b10	b9	b8	b7	b6	b5	b4	b3	b2	b1	b0	SD1116	0	0	0	0	0	0	0	0	0	0	0	0	0	0	0	1	SD1117	0	0	0	0	0	0	0	1	0	0	0	0	0	0	0	0	SD1123	0	0	0	0	0	0	0	1	0	0	0	0	0	0	0	0	Qn(H) QnPH QnU*1 LCPU																																			
	b15					b14	b13	b12	b11	b10	b9	b8	b7	b6	b5	b4	b3	b2	b1	b0																																																																																									
SD1116	0					0	0	0	0	0	0	0	0	0	0	0	0	0	0	1																																																																																									
SD1117	0					0	0	0	0	0	0	1	0	0	0	0	0	0	0	0																																																																																									
SD1123	0					0	0	0	0	0	0	1	0	0	0	0	0	0	0	0																																																																																									
D9117	SD1117																																																																																																												
D9118	SD1118																																																																																																												
D9119	SD1119																																																																																																												
D9120	SD1120																																																																																																												
D9121	SD1121																																																																																																												
D9122	SD1122																																																																																																												
D9123	SD1123																																																																																																												
D9124	SD1124	SD63	Number of annunciator detections	Number of annunciator detections	When any of F0 to F2047 (default device setting) is turned on by the SET F instruction, a value in SD1124 is incremented by one (up to a maximum of 16). When the RST F or LEDR instruction is executed, it is decremented by one.	Qn(H) QnPH QnU*1 LCPU																																																																																																							
D9125	SD1125	SD64	Annunciator detection number	Annunciator detection number	<p>When any of F0 to F2047 (default device setting) are turned on by the SET F instruction, the annunciator numbers (F numbers) that are turned on are stored in SD1125 to SD1132 in order.</p> <p>The F numbers turned off by the RST F instruction is deleted from this register, and the F numbers stored after the deleted F numbers are shifted to the previous registers. When the LEDR instruction is executed, the contents of SD1125 to SD1132 are shifted upward by 1.</p> <p>When there are eight annunciator detections, the next one is not stored in SD1125 to SD1132.</p> <table border="1"> <tr> <td></td> <td>SET F50</td><td>SET F25</td><td>SET F99</td><td>RST F25</td><td>SET F15</td><td>SET F70</td><td>SET F65</td><td>LEDR</td> <td></td> </tr> <tr> <td>SD1009</td> <td>0</td><td>50</td><td>50</td><td>50</td><td>50</td><td>50</td><td>50</td><td>99</td> <td>... (Number detected)</td> </tr> <tr> <td>SD1124</td> <td>0</td><td>1</td><td>2</td><td>3</td><td>2</td><td>3</td><td>4</td><td>4</td> <td>... (Number of annunciators detected)</td> </tr> <tr> <td>SD1125</td> <td>0</td><td>50</td><td>50</td><td>50</td><td>50</td><td>50</td><td>50</td><td>99</td> <td rowspan="5">} (Number detected)</td> </tr> <tr> <td>SD1126</td> <td>0</td><td>0</td><td>25</td><td>25</td><td>99</td><td>99</td><td>99</td><td>15</td> </tr> <tr> <td>SD1127</td> <td>0</td><td>0</td><td>0</td><td>99</td><td>0</td><td>15</td><td>15</td><td>70</td> </tr> <tr> <td>SD1128</td> <td>0</td><td>0</td><td>0</td><td>0</td><td>0</td><td>0</td><td>70</td><td>65</td> </tr> <tr> <td>SD1129</td> <td>0</td><td>0</td><td>0</td><td>0</td><td>0</td><td>0</td><td>0</td><td>65</td> </tr> <tr> <td>SD1130</td> <td>0</td><td>0</td><td>0</td><td>0</td><td>0</td><td>0</td><td>0</td><td>0</td> </tr> <tr> <td>SD1131</td> <td>0</td><td>0</td><td>0</td><td>0</td><td>0</td><td>0</td><td>0</td><td>0</td> </tr> <tr> <td>SD1132</td> <td>0</td><td>0</td><td>0</td><td>0</td><td>0</td><td>0</td><td>0</td><td>0</td> </tr> </table>		SET F50	SET F25	SET F99	RST F25	SET F15	SET F70	SET F65	LEDR		SD1009	0	50	50	50	50	50	50	99	... (Number detected)	SD1124	0	1	2	3	2	3	4	4	... (Number of annunciators detected)	SD1125	0	50	50	50	50	50	50	99	} (Number detected)	SD1126	0	0	25	25	99	99	99	15	SD1127	0	0	0	99	0	15	15	70	SD1128	0	0	0	0	0	0	70	65	SD1129	0	0	0	0	0	0	0	65	SD1130	0	0	0	0	0	0	0	0	SD1131	0	0	0	0	0	0	0	0	SD1132	0	0	0	0	0	0	0	0	Qn(H) QnPH QnU*1 LCPU
	SET F50	SET F25				SET F99	RST F25	SET F15	SET F70	SET F65	LEDR																																																																																																		
SD1009	0	50				50	50	50	50	50	99	... (Number detected)																																																																																																	
SD1124	0	1				2	3	2	3	4	4	... (Number of annunciators detected)																																																																																																	
SD1125	0	50				50	50	50	50	50	99	} (Number detected)																																																																																																	
SD1126	0	0				25	25	99	99	99	15																																																																																																		
SD1127	0	0				0	99	0	15	15	70																																																																																																		
SD1128	0	0	0	0	0	0	70	65																																																																																																					
SD1129	0	0	0	0	0	0	0	65																																																																																																					
SD1130	0	0	0	0	0	0	0	0																																																																																																					
SD1131	0	0	0	0	0	0	0	0																																																																																																					
SD1132	0	0	0	0	0	0	0	0																																																																																																					
D9126	SD1126	SD65																																																																																																											
D9127	SD1127	SD66																																																																																																											
D9128	SD1128	SD67																																																																																																											
D9129	SD1129	SD68																																																																																																											
D9130	SD1130	SD69																																																																																																											
D9131	SD1131	SD70																																																																																																											
D9132	SD1132	SD71																																																																																																											

*1 The following modules support these areas:

- Universal model QCPU whose serial number (first five digits) is "10102" or later
- Q00UJCPU, Q00UCPU, Q01UCPU

*2 Modules whose serial number (first five digits) is "16112" or later

A

Appendix 3 List of Special Register Areas

(13) Built-in Ethernet port QCPU, built-in Ethernet port LCPU, and built-in Ethernet function

Number	Name	Meaning	Explanation	Set by (When Set)	Corresponding ACPU D9□□□	Corresponding CPU
SD1256	Total number of files to be processed	Total number of files to be processed by the file transfer function	This register stores the total number of files to be processed by the file transfer function (FTP client). The data is stored at the start of the transfer processing.	S (END processing)	New	LCPU*7
SD1257	Number of files processed	Number of files processed by the file transfer function	This register stores the number of files processed by the file transfer function (FTP client). The data is cleared to 0 at the start of the transfer processing. The data is incremented by one every time processing of a file is completed.	S (END processing)	New	LCPU*7
SD1258	MELSOFT connection extended setting network number	Stores network numbers of the built-in Ethernet port	Network numbers of the built-in Ethernet port set in MELSOFT connection extended setting. (Valid when SM1258 is ON) • 0: Not set • 1 to 239: Network numbers	S (Initial)	New	QnUDV*8 QnUDPV*8
SD1259	MELSOFT connection extended setting station number	Stores station numbers of the built-in Ethernet port	Station numbers of the built-in Ethernet port set in MELSOFT connection extended setting. (Valid only when SM1258 is ON) • 0: Not set • 1 to 64: Station numbers	S (Initial)	New	QnUDV*8 QnUDPV*8
SD1260	IP address in-use	IP address (lower digits)	This register stores an IP address of the built-in Ethernet port.	S (Initial)	New	QnU*3 LCPU*6
SD1261		IP address (upper digits)				
SD1262		Subnet mask pattern (lower digits)	• This register stores a subnet mask pattern of the built-in Ethernet port. • When a subnet mask pattern is not set, "0" is stored.			
SD1263		Subnet mask pattern (upper digits)				
SD1264		Default router IP address (lower digits)	• This register stores a default router IP address of the built-in Ethernet port. • When a default router IP address is not stored, "0" is stored.			
SD1265		Default router IP address (upper digits)				
SD1266	MAC address	MAC address (5th and 6th bytes)	This register stores the MAC address of the built-in Ethernet ports.	S (Initial)	New	QnU*5 LCPU*6
SD1267		MAC address (3rd and 4th bytes)				
SD1268		MAC address (1st and 2nd bytes)				

Number	Name	Meaning	Explanation	Set by (When Set)	Corresponding ACPU D9□□□	Corresponding CPU											
SD1270	Time setting function	Operation result	<p>This register stores the operation result of the time setting function.</p> <ul style="list-style-type: none"> • 0: Not executed • 1: Success <p>0FFFF_H: Failure</p>	S (Status change)	New	QnU ^{*1} LCPU ^{*1}											
SD1271		Execution time	<p>This register stores the year (last two digits) and the month that the time setting function was executed in 2-digit BCD.</p> <p>b15 to b12 b11 to b8 b7 to b4 b3 to b0 Example: July, 1993 9307H</p>														
SD1272			<p>This register stores the day and the hour that the time setting function was executed in a 2-digit BCD.</p> <p>b15 to b12 b11 to b8 b7 to b4 b3 to b0 Example: 31st, 10 a.m. 3110H</p>														
SD1273			<p>This register stores the minute and the second that the time setting function was executed in a 2-digit BCD.</p> <p>b15 to b12 b11 to b8 b7 to b4 b3 to b0 Example: 35 min., 48 sec. 3548H</p>														
SD1274			<p>This register stores the year (first two digits) and the day of the week that the time setting was executed in 2-digit BCD.</p> <p>b15 to b12 b11 to b8 b7 to b4 b3 to b0 Example: 1993, Friday 1905H</p> <table border="1" style="margin-left: auto; margin-right: auto;"> <thead> <tr> <th colspan="2">Day of the week</th> </tr> </thead> <tbody> <tr><td>0</td><td>Sunday</td></tr> <tr><td>1</td><td>Monday</td></tr> <tr><td>2</td><td>Tuesday</td></tr> <tr><td>3</td><td>Wednesday</td></tr> <tr><td>4</td><td>Thursday</td></tr> <tr><td>5</td><td>Friday</td></tr> <tr><td>6</td><td>Saturday</td></tr> </tbody> </table>				Day of the week		0	Sunday	1	Monday	2	Tuesday	3	Wednesday	4
Day of the week																	
0	Sunday																
1	Monday																
2	Tuesday																
3	Wednesday																
4	Thursday																
5	Friday																
6	Saturday																
SD1275	Required response time	<p>Stores time required for clock time acquisition.</p> <p>This register stores the time required for a clock value to be set on the CPU after being sent to the SNTP server.</p> <ul style="list-style-type: none"> • Range: A0 to 0FFFE_H (Unit: ms) <p>0FFFF_H when the above limit is exceeded.</p> <p>This register stores a value only when the operation is succeeded. (When failed, a previous value remains.)</p>															



Appendix 3 List of Special Register Areas

Number	Name	Meaning	Explanation	Set by (When Set)	Corresponding ACPU D9□□□	Corresponding CPU
SD1276			This register is specified to forcibly invalidate a connection by a program. After being specified invalid, the connection stops communication and does not respond. (When a remote password is used and frequent unlock processing errors occur on a connection, this register is useful for temporarily disabling access.)			
SD1277	Forced connection invalidation	Specifies forced connection invalidation.	<ul style="list-style-type: none"> • 0: Valid (default) • 1: Disabled 	U	New	QnU*2 LCPU*1
SD1282	Open completion signal	Stores open completion status	<p>This register stores the open completion status of a socket communication or predefined protocol connection ("Open System" parameter: "Socket Communication" or "Predefined Protocol"). Bits for connections other than that of socket communication or predefined protocol are always "0".</p> <ul style="list-style-type: none"> • 0: Open processing is not completed. • 1: Open processing is completed. 	S (Status change)	New	QnU*2 LCPU*1
SD1284	Open request signal	Stores open request status	<p>This register stores the open request status of a socket communication or predefined protocol connection. Bits for connections other than that of socket communication or predefined protocol are always "0".</p> <ul style="list-style-type: none"> • 0: No open request • 1: In open request 	S (Status change)	New	QnU*2 LCPU*1
SD1286	Reception status signal	Stores reception status	<p>This register stores the receive status of a socket communication connection. Bits for connections other than that of socket communication are always "0".</p> <ul style="list-style-type: none"> ■TCP (standard receive mode) <ul style="list-style-type: none"> • 0: Data not received • 1: Data received ■TCP (fixed-length receive mode) <ul style="list-style-type: none"> • 0: Data not received or received data size is not the size of receive buffer. • 1: Received data size reached to the receive buffer size. ■UDP <ul style="list-style-type: none"> • 0: Data not received • 1: Data received 	S (Status change)	New	QnU*2 LCPU*1

Number	Name	Meaning	Explanation	Set by (When Set)	Corresponding ACPU D9□□□	Corresponding CPU
SD1288	Built-in Ethernet port connection status	Stores connection status of built-in Ethernet port	<p>This register stores a connection status of the built-in Ethernet port.</p>	S (Status change)	New	QnU ^{*2} LCPU ^{*1}
SD1289	Ethernet basic time-out time	Basic timeout time setting for Ethernet processing	<p>Specify the basic timeout time to be used for APR Response Wait in Ethernet processing.</p> <ul style="list-style-type: none"> • 0: 500ms (default) • 1 to 65535: 1 to 65535ms 	U	New	QnU ^{*1} LCPU ^{*1}
SD1292	IP address setting	IP address (lower digits)	<ul style="list-style-type: none"> • Specify an IP address to be stored in the IP address storage area (flash ROM). Range: 00000001_H to DFFFFFFE_H (0.0.0.1 to 223.255.255.254) 	S (Status change)/U	New	QnU ^{*3} LCPU ^{*6}
SD1293		IP address (upper digits)	<ul style="list-style-type: none"> • When writing to or clearing the IP address storage area (flash ROM) is completed, the values of the IP address stored in the IP address storage area (flash ROM) are stored. 			
SD1294		Subnet mask pattern (lower digits)	<ul style="list-style-type: none"> • Specify a subnet mask pattern to be stored in the IP address storage area (flash ROM). Range: C0000000_H to FFFFFFFC_H (192.0.0.0 to 255.255.255.252), 00000000_H (blank) 			
SD1295		Subnet mask pattern (upper digits)	<ul style="list-style-type: none"> • When writing to or clearing the IP address storage area (flash ROM) is completed, the values of the subnet mask pattern stored in the IP address storage area (flash ROM) are stored. 			
SD1296		Default router IP address (lower digits)	<ul style="list-style-type: none"> • Specify a default router IP address to be stored in the IP address storage area (flash ROM). Range: 00000001_H to DFFFFFFE_H (0.0.0.1 to 223.255.255.254), 00000000_H (blank) 			
SD1297		Default router IP address (upper digits)	<ul style="list-style-type: none"> • When writing to or clearing the IP address storage area (flash ROM) is completed, the values of the default router IP address stored in the IP address storage area (flash ROM) are stored. 			
SD1298	IP address storage area write error factor	Stores error factor when failing to write to IP address storage area	<p>This register stores an error factor occurred when writing to the IP address storage area (flash ROM). (Links with SM1294.)</p> <ul style="list-style-type: none"> • 0_H: No error • 100_H: The values of SD1292 to SD1297 are out of the setting range. • 200_H: Write error • 300_H: Writing is not available because other function is being executed. • 400_H: Writing is not available because the IP address storage area is being cleared 	S (Status change)	New	QnU ^{*3} LCPU ^{*6}
SD1299	IP address storage area clear error factor	Stores error factor when failing to clear IP address storage area	<p>This register stores an error factor occurred when clearing the IP address storage area (flash ROM). (Links with SM1297.)</p> <ul style="list-style-type: none"> • 0_H: No error • 200_H: Clear error • 300_H: Clearing is not available because other function is being executed. • 400_H: Clearing is not available because the IP address storage area is being written. 	S (Status change)	New	QnU ^{*3} LCPU ^{*6}

A

Appendix 3 List of Special Register Areas

Number	Name	Meaning	Explanation	Set by (When Set)	Corresponding ACPU D9□□□	Corresponding CPU
SD1395	Built-in Ethernet port counter	Number of times that data are not read due to receive buffer full	This register stores the number of times that packet data are not read due to receive buffer full. Range: 0 to 65535 (0000 _H to FFFF _H)	S (Status change)	New	QnU ^{*4}

- *1 Built-in Ethernet port QCPU and Built-in Ethernet port LCPU
- *2 Built-in Ethernet port QCPU whose serial number (first five digits) is "10102" or later
- *3 Built-in Ethernet port QCPU whose serial number (first five digits) is "11082" or later
- *4 Built-in Ethernet port QCPU whose serial number (first five digits) is "12072" or later
- *5 Built-in Ethernet port QCPU whose serial number (first five digits) is "12112" or later
- *6 Built-in Ethernet port LCPU whose serial number (first five digits) is "15102" or later
- *7 Built-in Ethernet port LCPU whose serial number (first five digits) is "16112" or later
- *8 Modules whose serial number (first five digits) is "17052" or later

(14)Predefined protocol function

Number	Name	Meaning	Explanation	Set by (When Set)	Corresponding ACPU D9□□□	Corresponding CPU
SD1337	Predefined protocol setting data error information (for built-in/adapter serial communications)	Stores information for identifying the error location of predefined protocol setting data.	The protocol number where an error has been detected is stored. <ul style="list-style-type: none"> • 0: No error • 1 to 128: Protocol number • 65535: Unidentifiable If the value 65535 is stored, the following reasons are considered. <ul style="list-style-type: none"> • The setting that the current version of LCPU does not support is written. • The protocol setting data is collapsed. 	S (Error)	New	LCPU*1
SD1338			The setting type of the protocol setting data where an error has been detected is stored. (The value will be stored only when the written protocol number is within the range of 1 to 128.) <ul style="list-style-type: none"> • 0: Packet setting or component setting • 1: Protocol detailed setting • 65535: Unidentifiable If the value 65535 is stored, the following reasons are considered. <ul style="list-style-type: none"> • The setting that the current version of LCPU does not support is written. • The protocol setting data is collapsed. 			
SD1339			The packet number where an error has been detected is stored. (The value is stored only when the setting type is 0 (packet setting or component setting).) <ul style="list-style-type: none"> • 0: Transmitted packet • 1 to 16: Received packet number • 65535: Unidentifiable If the value 65535 is stored, the following reasons are considered. <ul style="list-style-type: none"> • The setting that the current version of LCPU does not support is written. • The protocol setting data is collapsed. 			
SD1340			The component number where an error has been detected is stored. (The value is stored only when the setting type is 0 (packet setting or component setting).) <ul style="list-style-type: none"> • 1 to 32: Component number • 65535: Unidentifiable If the value 65535 is stored, the following reasons are considered. <ul style="list-style-type: none"> • The setting that the current version of LCPU does not support is written. • The protocol setting data is collapsed. 			
SD1341	Number of protocols registered (for built-in/adapter serial communications)	Stores the number of protocols in the protocol setting data.	This register stores the number of protocols in the protocol setting data registered through the predefined protocol support function 0: No registration 1 to 128: Number of protocols	S (Status change)	New	LCPU*1

A

Appendix 3 List of Special Register Areas

Number	Name	Meaning	Explanation	Set by (When Set)	Corresponding ACPU D9□□□	Corresponding CPU																														
SD1342 to SD1349	Protocol registration status (for built-in/adapter serial communications)	Stores the protocol registration status.	<p>This register stores the presence or absence of protocols in the protocol setting data registered through the predefined protocol support function.</p> <p style="text-align: center;">No. = Protocol number</p> <table border="1" style="margin-left: auto; margin-right: auto;"> <tr> <td style="width: 20%;"></td> <td style="width: 10%; text-align: center;">b15</td> <td style="width: 10%;"></td> <td style="width: 10%; text-align: center;">b1</td> <td style="width: 10%;"></td> <td style="width: 10%; text-align: center;">b0</td> </tr> <tr> <td>SD1342</td> <td style="text-align: center;">No.16</td> <td style="text-align: center;">to</td> <td style="text-align: center;">No.2</td> <td style="text-align: center;">No.1</td> <td></td> </tr> <tr> <td>SD1343</td> <td style="text-align: center;">No.32</td> <td style="text-align: center;">to</td> <td style="text-align: center;">No.18</td> <td style="text-align: center;">No.17</td> <td></td> </tr> <tr> <td style="text-align: center;">}</td> <td colspan="4" style="text-align: center;">}</td> <td></td> </tr> <tr> <td>SD1349</td> <td style="text-align: center;">No.128</td> <td style="text-align: center;">to</td> <td style="text-align: center;">No.114</td> <td style="text-align: center;">No.113</td> <td></td> </tr> </table> <p>If the check result of protocol setting data is abnormal, 0 is stored in all bits.</p>		b15		b1		b0	SD1342	No.16	to	No.2	No.1		SD1343	No.32	to	No.18	No.17		}	}					SD1349	No.128	to	No.114	No.113		S (Status change)	New	LCPU*1
	b15		b1		b0																															
SD1342	No.16	to	No.2	No.1																																
SD1343	No.32	to	No.18	No.17																																
}	}																																			
SD1349	No.128	to	No.114	No.113																																
SD1351	Predefined protocol function error code (for built-in/adapter serial communications)	Stores the error code of the predefined protocol support function.	<p>This register stores the error code of the predefined protocol support function.</p>	S (Error)	New	LCPU*1																														
SD1359	Predefined protocol setting data error information (for built-in Ethernet communications)	Stores information for identifying the error location of protocol setting data.	<p>The protocol number where an error has been detected is stored.</p> <ul style="list-style-type: none"> • 0: No error • 1 to 128: Protocol number • 65535: Unidentifiable <p>If the value 65535 is stored, the following reasons are considered.</p> <ul style="list-style-type: none"> • The setting that the current version of LCPUC does not support is written. • The protocol setting data is collapsed. 	S (Error)	New	QnUDV*2 QnUDPV*2 LCPU*3																														
SD1360			<p>The setting type of the protocol setting data where an error has been detected is stored. (The value will be stored only when the written protocol number is within the range of 1 to 128.)</p> <ul style="list-style-type: none"> • 0: Packet setting or component setting • 1: Protocol detailed setting • 65535: Unidentifiable <p>If the value 65535 is stored, the following reasons are considered.</p> <ul style="list-style-type: none"> • The setting that the current version of LCPUC does not support is written. • The protocol setting data is collapsed. 																																	
SD1361			<p>The packet number where an error has been detected is stored. (The value is stored only when the setting type is 0 (packet setting or component setting).)</p> <ul style="list-style-type: none"> • 0: Transmitted packet • 1 to 16: Received packet number • 65535: Unidentifiable <p>If the value 65535 is stored, the following reasons are considered.</p> <ul style="list-style-type: none"> • The setting that the current version of LCPUC does not support is written. • The protocol setting data is collapsed. 																																	
SD1362			<p>The component number where an error has been detected is stored. (The value is stored only when the setting type is 0 (packet setting or component setting).)</p> <ul style="list-style-type: none"> • 1 to 32: Component number • 65535: Unidentifiable <p>If the value 65535 is stored, the following reasons are considered.</p> <ul style="list-style-type: none"> • The setting that the current version of LCPUC does not support is written. • The protocol setting data is collapsed. 																																	

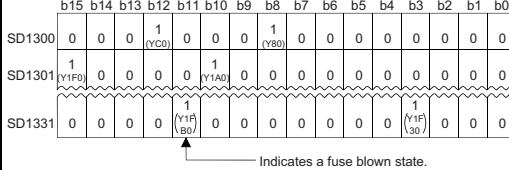
Number	Name	Meaning	Explanation	Set by (When Set)	Corresponding ACPU D9□□□	Corresponding CPU																									
SD1363	Number of protocols registered (for built-in Ethernet communications)	Stores the number of protocols in the protocol setting data.	This register stores the number of protocols in the protocol setting data registered through the predefined protocol support function • 0: No registration • 1 to 128: Number of protocols	S (Initial)	New	QnUDV* ² QnUDPV* ² LCPU* ³																									
SD1365 to SD1372	Protocol registration status (for built-in Ethernet communications)	Stores the protocol registration status.	This register stores the presence or absence of protocols in the protocol setting data registered through the predefined protocol support function. No. = Protocol number <table border="1" style="margin-left: 40px;"> <tr> <td></td> <td style="text-align: center;">b15</td> <td></td> <td style="text-align: center;">b1</td> <td style="text-align: center;">b0</td> </tr> <tr> <td>SD1365</td> <td>No.16</td> <td style="text-align: center;">to</td> <td>No.2</td> <td>No.1</td> </tr> <tr> <td>SD1366</td> <td>No.32</td> <td style="text-align: center;">to</td> <td>No.18</td> <td>No.17</td> </tr> <tr> <td colspan="5" style="text-align: center;">}</td> </tr> <tr> <td>SD1372</td> <td>No.128</td> <td style="text-align: center;">to</td> <td>No.114</td> <td>No.113</td> </tr> </table> If the check result of protocol setting data is abnormal, 0 is stored in all bits.		b15		b1	b0	SD1365	No.16	to	No.2	No.1	SD1366	No.32	to	No.18	No.17	}					SD1372	No.128	to	No.114	No.113	S (Initial)	New	QnUDV* ² QnUDPV* ² LCPU* ³
	b15		b1	b0																											
SD1365	No.16	to	No.2	No.1																											
SD1366	No.32	to	No.18	No.17																											
}																															
SD1372	No.128	to	No.114	No.113																											
SD1381	Predefined protocol function error code (for built-in Ethernet communications)	Stores the error code of the predefined protocol support function.	This register stores the error code of the predefined protocol support function.	S (Error)	New	QnUDV* ² QnUDPV* ² LCPU* ³																									

*1 Modules whose serial number (first five digits) is "15102" or later
 *2 Modules whose serial number (first five digits) is "15103" or later
 *3 Built-in Ethernet port LCPU whose serial number (first five digits) is "15102" or later

A

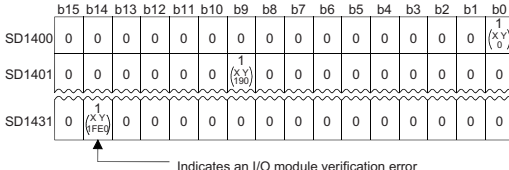
Appendix 3 List of Special Register Areas

(15) Fuse blown module

Number	Name	Meaning	Explanation	Set by (When Set)	Corresponding ACPU D9□□□	Corresponding CPU
SD1300	Fuse blown module	Bit pattern in units of 16 points, indicating the modules whose fuses have blown 0: No blown fuse 1: Blown fuse present	<ul style="list-style-type: none"> The number of an output module whose fuse has blown is stored in the following bit pattern (in units of 16 points). (If the module numbers are set by parameter, the parameter-set numbers are stored.) The status of the blown fuse of an output module on a remote station is also detected.  <p>For a module whose number of output points exceeds 16 points, all bits corresponding to output module numbers within the number of output points occupied by the module (in units of 16 points) turn on. Example: When a 64-point module is mounted on the slot 0, b0 to b3 turn on when the fuse has blown.</p> <ul style="list-style-type: none"> Not cleared even if the blown fuse is replaced with a new one. The storage value is cleared by clearing the error. 	S (Error)	D9100	Qn(H) QnPH QnPRH QnU LCPU*1
SD1301					D9101	
SD1302					D9102	
SD1303					D9103	
SD1304					D9104	
SD1305					D9105	
SD1306					D9106	
SD1307					D9107	
SD1308						
SD1309 to SD1330					New	
SD1331						

*1 Modules whose serial number (first five digits) is "16112" or later

(16) I/O module verification

Number	Name	Meaning	Explanation	Set by (When Set)	Corresponding ACPU D9□□□	Corresponding CPU
SD1400	I/O module verification error	Bit pattern, in units of 16 points, indicating the modules with verify errors. 0: No error 1: Error	<ul style="list-style-type: none"> If the status of the I/O module changes from that obtained at power-on, the module No. is stored in the following bit pattern. (If the I/O module numbers are set by parameter, the parameter-set numbers are stored.) The status of the I/O module on a remote station is also detected.  <p>For a module whose number of I/O points exceeds 16 points, all bits corresponding to I/O module numbers within the number of I/O points occupied by the module (in increments of 16 points) turn on. Example: When a 64-point module is mounted on the slot 0, b0 to b3 turn on when an error is detected.</p> <ul style="list-style-type: none"> Not cleared even if the blown fuse is replaced with a new one. This flag is cleared by error resetting operation. 	S (Error)	D9116	Qn(H) QnPH QnPRH QnU LCPU
SD1401					D9117	
SD1402					D9118	
SD1403					D9119	
SD1404					D9120	
SD1405					D9121	
SD1406					D9122	
SD1407					D9123	
SD1408						
SD1409 to SD1430					New	
SD1431						

(17)iQ Sensor Solution

Number	Name	Meaning	Explanation	Set by (When Set)	Corresponding ACPU D9□□□	Corresponding CPU
SD1435	Use request (iQ Sensor Solution backup/restoration)	Requests the use of the backup/restoration function.	This register is used to acquire a right to use the backup/restoration function before its execution. A four-digit number (other than request number 0000 _H) shall be set. The number is determined according to the request source. 1 ^{***} _H : when requested using a ladder program D ^{***} _H : when requested from MELSOFT Navigator E ^{***} _H : when requested from GOT F ^{***} _H : when requested from GX Works2 • A value is cleared to "0" when the right is lost.	S (Status change)/U	New	QnUDV ^{*1} QnUDPV ^{*1} LCPV ^{*2}
SD1436	Right acquisition status (iQ Sensor Solution backup/restoration)	Stores the request source that has acquired a right to use the backup/restoration function.	This register stores the request source that has acquired a right to use the backup/restoration function. • A value is cleared to "0" when the right is lost.	S (Status change)	New	QnUDV ^{*1} QnUDPV ^{*1} LCPV ^{*2}
SD1437	Target module/execution unit setting (iQ Sensor Solution backup/restoration)	Sets the target module and execution unit for backup/restoration.	This register is used to set the target module and execution unit for backup/restoration. Lower 8 bits (target module) 1 _H : AnyWireASLINK 2 _H : CC-Link 3 _H : Ethernet 4 _H : CC-Link IE Field Network Upper 8 bits (execution unit) [AnyWireASLINK] 1 _H : Module 2 _H : ID [CC-Link, CC-Link IE Field Network] 1 _H : Module 2 _H : Station 3 _H : Station sub-ID [Ethernet] 1 _H : Module 2 _H : IP address	U	New	QnUDV ^{*1} QnUDPV ^{*1} LCPV ^{*2}
SD1438	Folder number setting (iQ Sensor Solution backup/restoration)	Sets the folder number for backup/restoration.	This register is used to set a number of a folder in which backup data is to be stored or a folder that contains data for restoration. 0 to 99: Folder number specification FFFE _H : Automatic specification (folder deletion supported) FFFF _H (default): Automatic specification	U	New	QnUDV ^{*1} QnUDPV ^{*1} LCPV ^{*2}
SD1439	Target module setting (iQ Sensor Solution backup/restoration)	Sets a module targeted for backup/restoration.	This register is used to set a module targeted for backup/restoration. I/O No.: Module (Enter the value obtained by dividing the start I/O number by 16.) 3FF _H : Built-in Ethernet	U	New	QnUDV ^{*1} QnUDPV ^{*1} LCPV ^{*2}
SD1440	Target device 1 setting (iQ Sensor Solution backup/restoration)	Sets devices targeted for backup/restoration.	This register is used to set a device targeted for backup/restoration. [AnyWireASLINK] ID number [CC-Link, CC-Link IE Field Network] Station number [Ethernet] IP address (lower 16 bits) (Example) If the IP address is 192.168.3.40, 3 equals to 3 _H and 40 equals to 28 _H . The stored value will be 0328 _H , that is, 808.	U	New	QnUDV ^{*1} QnUDPV ^{*1} LCPV ^{*2}

A

Appendix 3 List of Special Register Areas

Number	Name	Meaning	Explanation	Set by (When Set)	Corresponding ACPU D9□□□	Corresponding CPU
SD1441	Target device 2 setting (iQ Sensor Solution backup/restoration)	Sets devices targeted for backup/restoration.	This register is used to set a device targeted for backup/restoration. [AnyWireASLINK] 0 (Not used) [CC-Link, CC-Link IE Field Network] Station sub-ID number [Ethernet] IP address (upper 16 bits) (Example) If the IP address is 192.168.3.40, 192 equals to C0 _H and 168 equals to A8 _H . The stored value will be C0A8 _H , that is, 49320.	U	New	QnUDV* ¹ QnUDPV* ¹ LCPU* ²
SD1444	Operation setting (iQ Sensor Solution backup/restoration)	Sets the operation status when a backup/restoration error occurs	This register stores the operation status of the CPU module when a backup/restoration error occurs. 0: Continue 1: Stop	U	New	QnUDV* ¹ QnUDPV* ¹ LCPU* ²
SD1445	Communication timeout time (iQ Sensor Solution backup/restoration)	Specifies the communication timeout time of backup/restoration.	This register is used to specify the communication timeout time of backup/restoration in increments of 100ms. 0: 60000ms (default) 1 to 65535 (×100ms): 100 to 6553500ms	U	New	QnUDV* ¹ QnUDPV* ¹ LCPU* ²
SD1446	Execution status (iQ Sensor Solution backup/restoration)	Stores the backup/restoration execution status.	This register stores the backup/restoration execution status. 0 _H : Not executed 1 _H : In preparation 2 _H : Being executed 3 _H : Completed 10 _H : Wait 11 _H : Cancelled (no error) FE _H : Cancelled (error) FF _H : Error	S (Status change)	New	QnUDV* ¹ QnUDPV* ¹ LCPU* ²
SD1447	Total number of target devices (iQ Sensor Solution backup/restoration)	Stores the total number of devices targeted for backup/restoration.	This register stores the total number of devices targeted for backup/restoration for each execution unit. • A value is cleared to "0" when the right is acquired.	S (Status change)	New	QnUDV* ¹ QnUDPV* ¹ LCPU* ²
SD1448	Number of normally completed devices (iQ Sensor Solution backup/restoration)	Stores the number of devices where data are backed up or restored successfully.	This register stores the number of devices, for each execution unit, where data have been backed up or restored successfully. • A value is cleared to "0" when the right is acquired.	S (Status change)	New	QnUDV* ¹ QnUDPV* ¹ LCPU* ²
SD1449	Number of devices completed with an error (iQ Sensor Solution backup/restoration)	Stores the number of devices where data are not backed up or restored successfully.	This register stores the number of devices, for each execution unit, where data have not been backed up or restored successfully. • A value is cleared to "0" when the right is acquired.	S (Status change)	New	QnUDV* ¹ QnUDPV* ¹ LCPU* ²
SD1450	Progress per device (iQ Sensor Solution backup/restoration)	Stores the progress of the backup/restoration processing per device.	This register stores the progress of the backup/restoration processing per device in percentage (0 to 100%). • A value is cleared to "0" when the right is acquired.	S (Status change)	New	QnUDV* ¹ QnUDPV* ¹ LCPU* ²
SD1451	Folder number (iQ Sensor Solution backup)	Stores the number of a folder in which backup data is stored.	This register stores the number of a folder in which backup data is stored. 0 to 99: Folder number FFFF _H : Backup data not stored • FFFF _H is stored when when the right is acquired.	S (Status change)	New	QnUDV* ¹ QnUDPV* ¹ LCPU* ²

Number	Name	Meaning	Explanation	Set by (When Set)	Corresponding ACPU D9□□□	Corresponding CPU
SD1452	Error cause in a module (iQ Sensor Solution backup/restoration)	Stores the cause of the backup/restoration error detected in a module.	This register stores the cause of the backup/restoration error detected in a module. <ul style="list-style-type: none"> When errors are detected in multiple devices, the error detected first is stored. A value is cleared to "0" when the right is acquired. For details on the cause of the error that is stored, refer to the following. Page 259, Appendix 1.11 User's manual of the module that is targeted for data backup/restoration	S (Error/Status change)	New	QnUDV* ¹ QnUDPV* ¹ LCPV* ²
SD1453	Error cause in a device (iQ Sensor Solution backup/restoration)	Stores the cause of the backup/restoration error detected in a device.	This register stores the cause of the backup/restoration error detected in a device. <ul style="list-style-type: none"> When errors are detected in multiple devices, the error detected first is stored. A value is cleared to "0" when the right is acquired. For details on the cause of the error that is stored, refer to the following. iQ Sensor Solution Reference Manual	S (Error/Status change)	New	QnUDV* ¹ QnUDPV* ¹ LCPV* ²
SD1454	Error module/execution unit information (iQ Sensor Solution backup/restoration)	Stores the module and execution unit information when a backup/restoration error occurs.	This register stores the module and execution unit information when a backup/restoration error occurs. Lower 8 bits (target module) 1 _H : AnyWireASLINK 2 _H : CC-Link 3 _H : Ethernet 4 _H : CC-Link IE Field Network Upper 8 bits (execution unit) 1 _H : AnyWireASLINK 2 _H : CC-Link 3 _H : Ethernet 4 _H : CC-Link IE Field Network [AnyWireASLINK] 1 _H : Module 2 _H : ID [CC-Link, CC-Link IE Field Network] 1 _H : Module 2 _H : Station 3 _H : Station sub-ID [Ethernet] 1 _H : Module 2 _H : IP address <ul style="list-style-type: none"> A value is cleared to "0" when the right is acquired. 	S (Error/Status change)	New	QnUDV* ¹ QnUDPV* ¹ LCPV* ²
SD1455	Error folder number information (iQ Sensor Solution backup/restoration)	Stores the target folder number when a backup/restoration error occurs.	This register stores the target folder number (0 to 99) when a backup/restoration error occurs. <ul style="list-style-type: none"> When the folder number cannot be identified, FFFF_H is stored. A value is cleared to "0" when the right is acquired. 	S (Error/Status change)	New	QnUDV* ¹ QnUDPV* ¹ LCPV* ²
SD1456	Error module information (iQ Sensor Solution backup/restoration)	Stores the information of a module where a backup/restoration error is detected first.	This register stores the information of a module where a backup/restoration error occurs. I/O No.: Module (Enter the value obtained by dividing the start I/O number by 16.) 3FF _H : Built-in Ethernet <ul style="list-style-type: none"> When errors are detected in multiple devices, the information of a module where the error detected first is stored. A value is cleared to "0" when the right is acquired. 	S (Error/Status change)	New	QnUDV* ¹ QnUDPV* ¹ LCPV* ²

Number	Name	Meaning	Explanation	Set by (When Set)	Corresponding ACPU D9□□□	Corresponding CPU
SD1457	Error device Information (device 1) (iQ Sensor Solution backup/restoration)	Stores the information of a device where a backup/restoration error is detected first.	This register stores the information of a device (device 1) where a backup/restoration error occurs. [AnyWireASLINK] ID number [CC-Link, CC-Link IE Field Network] Station number [Ethernet] IP address (lower 16 bits) (Example) If the IP address is 192.168.3.40, 3 equals to 3 _H and 40 equals to 28 _H . The stored value will be 0328 _H , that is, 808. • When errors are detected in multiple devices, the information of a device (device 1) where the error detected first is stored. • A value is cleared to "0" when the right is acquired.	S (Error/Status change)	New	QnUDV* ¹ QnUDPV* ¹ LCPU* ²
SD1458	Error device Information (device 2) (iQ Sensor Solution backup/restoration)		This register stores the target-device (device 2) information for which a backup/restoration error occurs. [AnyWireASLINK] 0 (Not used) [CC-Link, CC-Link IE Field Network] Station sub-ID number [Ethernet] IP address (upper 16 bits) (Example) If the IP address is 192.168.3.40, 192 equals to C0 _H and 168 equals to A8 _H . The stored value will be C0A8 _H , that is, 49320. • When errors are detected in multiple devices, the information of a device (device 2) where the error detected first is stored. • A value is cleared to "0" when the right is acquired.			

*1 The QnUDV CPU whose serial number (first five digits) is "17012" or later supports the backup/restoration function for AnyWireASLINK and CC-Link.
The QnUDP CPU whose serial number (first five digits) is "17052" or later supports the backup/restoration function for CC-Link IE Field Network.
The QnUDV CPU whose serial number (first five digits) is "18072" or later supports the backup/restoration function for built-in Ethernet.

*2 Built-in Ethernet port LCPU whose serial number (first five digits) is "14112" or later

(18)Process control instruction

Number	Name	Meaning	Explanation	Set by (When Set)	Corresponding ACPU D9□□□	Corresponding CPU														
SD1500, SD1501	Basic period	Basic period time	Set the basic period (1 second units) use for the process control instruction using floating point data. Floating points data = <table border="1" style="display: inline-table; vertical-align: middle;"><tr><td>SD1501</td><td>SD1500</td></tr></table>	SD1501	SD1500	U	New	QnPH QnPRH QnUDPV												
SD1501	SD1500																			
SD1502	Process control instruction detail error code	Process control instruction detail error code	This register indicates the details of an error occurred by executing a process control instruction.	S (Error)	New	QnPH QnPRH QnUDPV														
SD1503	Process control instruction generated error location	Process control instruction generated error location	Shows the error process block that occurred in the process control instruction.	S (Error)	New	QnPH QnPRH QnUDPV														
SD1506, SD1507	Dummy device	Dummy device	Used to specify dummy devices by a process control instruction.	U	New	QnPH QnPRH QnUDPV														
SD1508	Function availability selection for process control instruction	b0 Bumpless function availability setting for the S.PIDP instruction 0: Enabled 1: Disabled (Default: 0)	This register stores whether to enable functions for process control instructions. <table border="1" style="display: inline-table; vertical-align: middle;"> <tr> <td>SD1508</td> <td>b15</td> <td>b14</td> <td>to</td> <td>b2</td> <td>b1</td> <td>b0</td> </tr> <tr> <td></td> <td>0</td> <td></td> <td>0</td> <td></td> <td>0</td> <td>1/0</td> </tr> </table> 	SD1508	b15	b14	to	b2	b1	b0		0		0		0	1/0	U	New	QnPH QnPRH QnUDPV
SD1508	b15	b14	to	b2	b1	b0														
	0		0		0	1/0														



(19)Redundant system (host system CPU information *1)

The special register (SD1510 to SD1599) is valid only for redundant systems. All bits are set to "0" for stand-alone systems.

Number	Name	Meaning	Explanation	Set by (When Set)	Corresponding ACPU D9□□□	Corresponding CPU																						
SD1585	Redundant system LED status	4 LED states • BACKUP • CONTROL • SYSTEM A • SYSTEM B	The LED status of BACKUP, CONTROL, SYSTEM A, or SYSTEM B is stored in the following format: <table border="1" style="display: inline-table; vertical-align: middle;"> <tr> <td>b15 to b10</td> <td>b9</td> <td>b8</td> <td>b7</td> <td>b6</td> <td>b5</td> <td>b4</td> <td>b3</td> <td>b2</td> <td>b1</td> <td>b0</td> </tr> <tr> <td>0</td> <td></td> <td></td> <td></td> <td></td> <td></td> <td>0</td> <td></td> <td></td> <td></td> <td></td> </tr> </table> 	b15 to b10	b9	b8	b7	b6	b5	b4	b3	b2	b1	b0	0						0					S (Status change)	New	QnPRH
b15 to b10	b9	b8	b7	b6	b5	b4	b3	b2	b1	b0																		
0						0																						
SD1588	Reason(s) for system switching	Reason(s) for system switching that occurred in host station	The reason(s) for system switching on the host system is stored. The following values are stored corresponding to the methods for system switching: This register is initialized with zero (0) stored when the system is powered on from off or is reset. 0: Initial value (control system has never been switched) 1: Power off, Reset, H/W failure, WDT error 2: CPU stop error (except WDT) 3: System switching request from network module 16: Control system switching instruction 17: System switching request from a programming tool	S (when condition occurs)	○	QnPRH																						

Appendix 3 List of Special Register Areas

Number	Name	Meaning	Explanation	Set by (When Set)	Corresponding ACPU D9□□□	Corresponding CPU
SD1589	Reason(s) for system switching failure conditions	Reason(s) for system switching failure No	<ul style="list-style-type: none"> When a system switching has failed, a value corresponding to the system switching failure cause is stored. 0: System switching complete (default) 1: Tracking cable is not connected, tracking cable failure, or internal circuit failure 2: H/W failure, power-off, reset, watchdog timer error on the standby system 3: H/W failure, power-off, reset, WDT error on the control system 4: Preparing tracking communication 5: Communication timeout 6: Stop error on the standby system (except for watchdog timer error) 7: Operation differs between both systems (detected only in the back up mode) 8: During memory copy from control system to standby system 9: Performing program online change 10: Detecting a failure of network module on the standby system 11: System is being switched <ul style="list-style-type: none"> The value is reset to "0" when host system is powered on. Zero is stored in this register upon completion of system switching. 	S (when system is switched)	○	QnPRH
SD1590	Network module head address, which requested system switching	Network module head address, which requested system switching	<ul style="list-style-type: none"> When system switching is requested from a network module in the host system, the bit corresponding to the module that received the request turns on. <div style="text-align: center;"> </div> <p>b1 to b11: Slot No.1 to slot No.11 (Slot No.0 (b0) is invalid because the CPU module occupies two slots.)</p> <ul style="list-style-type: none"> The system turns off the bit after the error is removed by a user. For the number for modules where system switching is requested from a network module in other system, refer to SD1690. 	S (Error/Status change)	New	QnPRH
SD1595	Memory copy target I/O number	Memory copy target I/O number	<ul style="list-style-type: none"> Before SM1595 is turned from off to on, the I/O No. of the memory copy destination (Standby system CPU module: 3D1_H) is stored. 	U	New	QnPRH
SD1596	Memory copy status	Memory copy status	<ul style="list-style-type: none"> The execution result of the memory copy function is stored. 0: Memory copy is complete 4241_H: Standby system power supply off 4242_H: Tracking cable is disconnected or is damaged 4247_H: Memory copy is being executed 4248_H: Unsupported memory copy destination I/O number 	S (Status change)	New	QnPRH

*1 The information of the host CPU module is stored.

(20)Redundant system (other system CPU information *1)

The special register (SD1600 to SD1650) is valid when the redundant system is in backup mode and is invalid in separate mode. The special register (SD1651 to SD1690) is valid when the redundant system is in backup mode or in separate mode. All bits in SD1600 to SD1690 are set to "0" for stand-alone systems.

Number	Name	Meaning	Explanation	Set by (When Set)	Corresponding host CPU SD□□*2	Corresponding CPU
SD1600	System error information	System error information	<ul style="list-style-type: none"> When an error is detected by the redundant system error check, the bit corresponding to the error turns on. The bit turns off when the error is cleared. <ul style="list-style-type: none"> If any of b0, b1, b2 and b15 is on, the other bits are off. In the debug mode, b0, b1, b2 and b15 are all off. 	S (Every END processing)	—	QnPRH
SD1601	System switching results	System switching results	<p>Reason(s) for system switching is stored.</p> <ul style="list-style-type: none"> When a system is switched, the reason for system switching is stored in SD1601 of both systems. This register is initialized with zero (0) stored when the system is powered on from off or is reset. The following shows the values stored in this register. <p>0: Initial value (control system has never been switched) 1: Power-off, reset, H/W failure, or watchdog timer error *1 2: Stop error (except for watchdog timer error) 3: System switching request from network module 16: Control system switching instruction 17: System switching request from a programming tool</p> <p>*1 When the system is switched upon the power-off or reset of the control system, "1" is not stored in SD1601 of the new standby system.</p>	S (when system is switched)	—	QnPRH
SD1602	System switching dedicated instruction parameter	System switching dedicated instruction parameter	<ul style="list-style-type: none"> When a system is switched by the SP.CONTSW instruction, the argument of the instruction is stored. (The argument is stored in SD1602 of both systems at the system switching.) SD1602 is only valid when "16" is stored in SD1601. SD1602 is updated only when a system is switched by the control system switching instruction. 	S (when system is switched)	—	QnPRH
SD1610	Other system diagnostic error	Diagnostic error code	<ul style="list-style-type: none"> The code of the error occurred in the other system is stored. The value in SD0 of the CPU module on the other system is reflected. 	S (Every END processing)	SD0	QnPRH
SD1611 to SD1613	Other system diagnostic error occurrence time	Diagnostic error occurrence time	<ul style="list-style-type: none"> The date and time of the diagnostics error occurred in the other system are stored. Data format is the same as SD1 to SD3. The values in SD1 to SD03 of the CPU module on the other system are reflected. 	S (Every END processing)	SD1 to SD3	QnPRH

A

Appendix 3 List of Special Register Areas

Number	Name	Meaning	Explanation	Set by (When Set)	Corresponding host CPU SD□□ ²	Corresponding CPU
SD1614	Other system error information category	Error information category code	<ul style="list-style-type: none"> The error information category codes for individual information and common information of the error occurred in the other system are stored. Data format is the same as SD4. The value in SD4 of the CPU module on the other system is reflected. 	S (Every END processing)	SD4	QnPRH
SD1615 to SD1625	Other system error common information	Error common information	<ul style="list-style-type: none"> Stores the common information corresponding to the error code stored in this system CPU. Data composition is the same as SD5 to SD15. The values in SD5 to SD15 of the CPU module on the other system are reflected. 	S (Every END processing)	SD5 to SD15	QnPRH
SD1626 to SD1636	Other system error individual information	Error individual information	<ul style="list-style-type: none"> The individual information of the error occurred in the other system is stored. Data composition is the same as SD16 to SD26. The values in SD16 to SD26 of the CPU module on the other system are reflected. 	S (Every END processing)	SD16 to SD26	QnPRH
SD1649	Standby system error cancel command	Error code of the error to be cleared	<ul style="list-style-type: none"> The code of the error to be cleared by the standby system error cancel command is stored. The standby system error is cleared by turning SM1649 from off to on after storing the error code of the error to clear. The least significant digit (ones place) of the error code in this register is ignored. (The errors corresponding to error codes 4100 to 4109 are cleared by storing 4100 in this register.) 	S (Every END processing)	—	QnPRH
SD1650	Other system operating information	Other system operating information	<p>The operating information of the CPU module on the other system is stored in the following bit pattern. When communications with other systems are disabled or the system is in the debug mode, "00FF_H" is stored.</p> <p>SD1650 bit pattern: b15 to b8: 0; b7 to b4: []; b3 to b0: []</p> <p>Legend 1 (b7 to b4): 0: No error 1: Continue error 2: Stop error F: Communication with other system disabled*1</p> <p>Legend 2 (b3 to b0): 0: RUN 2: STOP 3: PAUSE F: Communication with other system disabled*1</p> <p>*1 Communication with other system disabled, debug mode</p> <p>Note: Communications are disabled in the following states. <ul style="list-style-type: none"> The other system is powered off or is being reset. A hardware failure has occurred on the host or the other system. A watchdog timer error has occurred on the host or the other system. Tracking cable is not connected. Tracking cable is broken or failed. </p>	S (Every END processing)	—	QnPRH

Number	Name	Meaning	Explanation	Set by (When Set)	Corresponding host CPU SD□□*2	Corresponding CPU
SD1690	Network module head address, which requested system switching on host (control) system	Network module head address, which requested system switching on host (control) system	<ul style="list-style-type: none"> When system switching is requested from a network module in the other system, the bit corresponding to the module that received the request turns on. <div style="text-align: center;"> </div> <p>b1 to b11: Slot No.1 to slot No.11 (Slot No.0 (b0) is invalid because the CPU module occupies two slots.)</p> <ul style="list-style-type: none"> The system turns off the bit after the error in the corresponding module is removed by a user. To find the number for the module where system switching is requested from a network module in the host system, refer to SD1590. 	S (Every END processing)	—	QnPRH

*1 Diagnostic information of the CPU module in the other system is stored.

*2 Special register areas (SD□□) for the CPU module in the host system

(21)E-mail send/receive function

Number	Name	Meaning	Explanation	Set by (When Set)	Corresponding ACPU D9□□□□	Corresponding CPU
SD1659	Language information	Language information	This register stores language information of e-mail. <ul style="list-style-type: none"> • 0 or other than below: English/Japanese (default) • 2: Chinese (simplified Chinese characters) 	U	New	LCPU*1
SD1660	MC protocol command error code	Error code when an MC protocol command error is detected	<ul style="list-style-type: none"> • This register stores the error code when an MC protocol command error is detected. The error code is also stored when execution of MC protocol command is disabled in parameter. • A value, 0, is set at execution of the e-mail receive instruction. 	S (Error)	New	LCPU*1

*1 Built-in Ethernet port LCPU whose serial number (first five digits) is "16112" or later

(22)Redundant system (tracking information)

The special register (SD1700 to SD1779) is valid only for redundant systems. All bits are set to "0" for stand-alone systems.

Number	Name	Meaning	Explanation	Set by (When Set)	Corresponding ACPU D9□□□□	Corresponding CPU
SD1700	Tracking error detection count	Tracking error detection count	<ul style="list-style-type: none"> • A value in this register is incremented by one upon tracking error. • The counter starts the routine: counts up from 0 to 32767, then counts down to -32767 and then again counts up to 0. 	S (Error)	New	QnPRH
SD1710	Waiting time for online program change (standby system)	Waiting time for online program change (standby system)	<ul style="list-style-type: none"> • This register stores the waiting time required for starting the online program change in the standby system after completion of that in the control system. The value is specified in units of seconds. • If online program change is not requested even after it is completed in the control system, the CPU modules in both of the system determine that it is a failure of an online program change for redundancy. In this case, both system CPU modules resume the consistency check for the systems that have been on hold during the online program change. Also, the control system is set to accept another request of online program change for redundancy. • When both systems are powered on, 90 seconds are set to SD1710 as the default value. • Set the value within the range 90 to 3600 seconds. When the setting is 0 to 89 seconds, it is regarded as 90 seconds for operation. If the setting is outside the allowed range, it is regarded other than 0 to 3600 seconds for operation. • The waiting time for a start of online program change to the standby system CPU module is checked according to the SD1710 setting during online change of multiple blocks and online change of batch of files for redundancy. 	S (Initial)/U	New	QnPRH

(23)Redundant power supply module information

The special register (SD1780 to SD1789) is valid only for redundant power supply systems.

Number	Name	Meaning	Explanation	Set by (When Set)	Corresponding ACPU D9□□□	Corresponding CPU
SD1780	Power supply off detection status	Power supply off detection status	<ul style="list-style-type: none"> This register stores the status of the redundant power supply module (Q63RP, Q64RPN, or Q64RP) with input power off, in the following bit pattern. <ul style="list-style-type: none"> In a multiple CPU system, the status is stored only to CPU module No.1. 	S (Every END processing)	New	Qn(H) ³ QnPH ³ QnPRH QnU ⁴
SD1781	Power supply failure detection status	Power supply failure detection status	<ul style="list-style-type: none"> This register stores the failure detection status of the redundant power supply module (Q63RP, Q64RPN, or Q64RP) in the following bit pattern. (After a failure is detected, the bit corresponding to the failed module is set to "0" upon powering off the module.) <ul style="list-style-type: none"> In a multiple CPU system, the status is stored only to CPU module No.1. 	S (Every END processing)	New	Qn(H) ³ QnPH ³ QnPRH QnU ⁴
SD1782	Momentary power failure detection counter for power supply 1 ¹	Momentary power failure detection count for power supply 1	<ul style="list-style-type: none"> This register counts the number of times of momentary power failure of the power supply 1/2. This register monitors the status of the power supply 1/2 mounted on the redundant power main base unit (Q38RB) and counts the number of momentary power failures. The status of the power supply 1/2 mounted on the extension base unit for redundant power supply system and the redundant type extension base unit is not monitored. When the CPU module starts, the counter of the power supply 1/2 is cleared to 0. If the input power to one of the redundant power supply modules is turned off, the corresponding counter is cleared to "0". The counter is incremented by one upon momentary power failure on the power supply 1 or 2. (The counter repeats increment and decrement of the value; 0 → 32767 → -32768 → 0. (The value is displayed within the range of 0 to 65535 in the system monitor screen of programming tool.)) When the main base unit is not the redundant power main base unit (Q38RB), "0" is stored. In a multiple CPU system, the status is stored only to CPU module No.1. 	S (Every END processing)	New	Qn(H) ³ QnPH ³ QnPRH QnU ⁴
SD1783	Momentary power failure detection counter for power supply 2 ²	Momentary power failure detection count for power supply 2	<ul style="list-style-type: none"> This register counts the number of times of momentary power failure of the power supply 1/2. This register monitors the status of the power supply 1/2 mounted on the redundant power main base unit (Q38RB) and counts the number of momentary power failures. The status of the power supply 1/2 mounted on the extension base unit for redundant power supply system and the redundant type extension base unit is not monitored. When the CPU module starts, the counter of the power supply 1/2 is cleared to 0. If the input power to one of the redundant power supply modules is turned off, the corresponding counter is cleared to "0". The counter is incremented by one upon momentary power failure on the power supply 1 or 2. (The counter repeats increment and decrement of the value; 0 → 32767 → -32768 → 0. (The value is displayed within the range of 0 to 65535 in the system monitor screen of programming tool.)) When the main base unit is not the redundant power main base unit (Q38RB), "0" is stored. In a multiple CPU system, the status is stored only to CPU module No.1. 	S (Every END processing)	New	Qn(H) ³ QnPH ³ QnPRH QnU ⁴

A

Appendix 3 List of Special Register Areas

- *1 The "power supply 1" indicates the redundant power supply module mounted on the POWER 1 slot of the redundant base unit (Q38RB/68RB/Q65WRB).
- *2 The "power supply 2" indicates the redundant power supply module mounted on the POWER 2 slot of the redundant base unit (Q38RB/68RB/Q65WRB).
- *3 Modules whose serial number (first five digits) is "07032" or later. In a multiple CPU system, the serial number (first five digits) of all the CPU modules must be "07032" or later.
- *4 Modules whose serial number (first five digits) is "10042" or later

(24)CC-Link IE Field Network Basic function

Number	Name	Meaning	Explanation	Set by (When Set)	Corresponding ACPU D9□□□	Corresponding CPU																																																																																																																							
SD1700 to SD1703	Cyclic transmission status of each station	Cyclic transmission status of each station	<p>The cyclic transmission status of each station is stored in the following bit pattern. (Off: Not performed, On: Being performed)</p> <p>■QnUDV, QnUDPV</p> <table border="1" style="font-size: small;"> <tr> <td></td> <td>b15</td><td>b14</td><td>b13</td><td>b12</td><td>b11</td><td>b10</td><td>b9</td><td>b8</td><td>b7</td><td>b6</td><td>b5</td><td>b4</td><td>b3</td><td>b2</td><td>b1</td><td>b0</td> </tr> <tr> <td>SD1700</td> <td>16</td><td>15</td><td>14</td><td>13</td><td>12</td><td>11</td><td>10</td><td>9</td><td>8</td><td>7</td><td>6</td><td>5</td><td>4</td><td>3</td><td>2</td><td>1</td> </tr> <tr> <td>SD1701</td> <td>32</td><td>31</td><td>30</td><td>29</td><td>28</td><td>27</td><td>26</td><td>25</td><td>24</td><td>23</td><td>22</td><td>21</td><td>20</td><td>19</td><td>18</td><td>17</td> </tr> <tr> <td>SD1702</td> <td>48</td><td>47</td><td>46</td><td>45</td><td>44</td><td>43</td><td>42</td><td>41</td><td>40</td><td>39</td><td>38</td><td>37</td><td>36</td><td>35</td><td>34</td><td>33</td> </tr> <tr> <td>SD1703</td> <td>64</td><td>63</td><td>62</td><td>61</td><td>60</td><td>59</td><td>58</td><td>57</td><td>56</td><td>55</td><td>54</td><td>53</td><td>52</td><td>51</td><td>50</td><td>49</td> </tr> </table> <p>■LCPU</p> <table border="1" style="font-size: small;"> <tr> <td></td> <td>b15</td><td>b14</td><td>b13</td><td>b12</td><td>b11</td><td>b10</td><td>b9</td><td>b8</td><td>b7</td><td>b6</td><td>b5</td><td>b4</td><td>b3</td><td>b2</td><td>b1</td><td>b0</td> </tr> <tr> <td>SD1700</td> <td>16</td><td>15</td><td>14</td><td>13</td><td>12</td><td>11</td><td>10</td><td>9</td><td>8</td><td>7</td><td>6</td><td>5</td><td>4</td><td>3</td><td>2</td><td>1</td> </tr> </table> <p>The numbers in the figure indicate station numbers. (Condition)</p> <ul style="list-style-type: none"> • Only the bit of the start station number turns on. • The status is not stored for the reserved stations and the station numbers after the maximum station number. <p>Use this register as an interlock for cyclic transmission. For details on the interlock program, refer to the following. □□CC-Link IE Field Network Basic Reference Manual</p>		b15	b14	b13	b12	b11	b10	b9	b8	b7	b6	b5	b4	b3	b2	b1	b0	SD1700	16	15	14	13	12	11	10	9	8	7	6	5	4	3	2	1	SD1701	32	31	30	29	28	27	26	25	24	23	22	21	20	19	18	17	SD1702	48	47	46	45	44	43	42	41	40	39	38	37	36	35	34	33	SD1703	64	63	62	61	60	59	58	57	56	55	54	53	52	51	50	49		b15	b14	b13	b12	b11	b10	b9	b8	b7	b6	b5	b4	b3	b2	b1	b0	SD1700	16	15	14	13	12	11	10	9	8	7	6	5	4	3	2	1	S (Every END processing)	New	QnUDV*1 QnUDPV*1 LCPU*2
	b15	b14	b13	b12	b11	b10	b9	b8	b7	b6	b5	b4	b3	b2	b1	b0																																																																																																													
SD1700	16	15	14	13	12	11	10	9	8	7	6	5	4	3	2	1																																																																																																													
SD1701	32	31	30	29	28	27	26	25	24	23	22	21	20	19	18	17																																																																																																													
SD1702	48	47	46	45	44	43	42	41	40	39	38	37	36	35	34	33																																																																																																													
SD1703	64	63	62	61	60	59	58	57	56	55	54	53	52	51	50	49																																																																																																													
	b15	b14	b13	b12	b11	b10	b9	b8	b7	b6	b5	b4	b3	b2	b1	b0																																																																																																													
SD1700	16	15	14	13	12	11	10	9	8	7	6	5	4	3	2	1																																																																																																													
SD1704 to SD1707	Data link status of each station	Data link status of each station	<p>The data link status of each station is stored in the following bit pattern. (Off: Normally operating station, On: Faulty station)</p> <p>■QnUDV, QnUDPV</p> <table border="1" style="font-size: small;"> <tr> <td></td> <td>b15</td><td>b14</td><td>b13</td><td>b12</td><td>b11</td><td>b10</td><td>b9</td><td>b8</td><td>b7</td><td>b6</td><td>b5</td><td>b4</td><td>b3</td><td>b2</td><td>b1</td><td>b0</td> </tr> <tr> <td>SD1704</td> <td>16</td><td>15</td><td>14</td><td>13</td><td>12</td><td>11</td><td>10</td><td>9</td><td>8</td><td>7</td><td>6</td><td>5</td><td>4</td><td>3</td><td>2</td><td>1</td> </tr> <tr> <td>SD1705</td> <td>32</td><td>31</td><td>30</td><td>29</td><td>28</td><td>27</td><td>26</td><td>25</td><td>24</td><td>23</td><td>22</td><td>21</td><td>20</td><td>19</td><td>18</td><td>17</td> </tr> <tr> <td>SD1706</td> <td>48</td><td>47</td><td>46</td><td>45</td><td>44</td><td>43</td><td>42</td><td>41</td><td>40</td><td>39</td><td>38</td><td>37</td><td>36</td><td>35</td><td>34</td><td>33</td> </tr> <tr> <td>SD1707</td> <td>64</td><td>63</td><td>62</td><td>61</td><td>60</td><td>59</td><td>58</td><td>57</td><td>56</td><td>55</td><td>54</td><td>53</td><td>52</td><td>51</td><td>50</td><td>49</td> </tr> </table> <p>■LCPU</p> <table border="1" style="font-size: small;"> <tr> <td></td> <td>b15</td><td>b14</td><td>b13</td><td>b12</td><td>b11</td><td>b10</td><td>b9</td><td>b8</td><td>b7</td><td>b6</td><td>b5</td><td>b4</td><td>b3</td><td>b2</td><td>b1</td><td>b0</td> </tr> <tr> <td>SD1704</td> <td>16</td><td>15</td><td>14</td><td>13</td><td>12</td><td>11</td><td>10</td><td>9</td><td>8</td><td>7</td><td>6</td><td>5</td><td>4</td><td>3</td><td>2</td><td>1</td> </tr> </table> <p>The numbers in the figure indicate station numbers. (Condition)</p> <ul style="list-style-type: none"> • Only the bit of the start station number turns on. • The status is not stored for the reserved stations and the station numbers after the maximum station number. <p>This register can be used to monitor errors in slave stations, connected cables, and connected hubs.</p>		b15	b14	b13	b12	b11	b10	b9	b8	b7	b6	b5	b4	b3	b2	b1	b0	SD1704	16	15	14	13	12	11	10	9	8	7	6	5	4	3	2	1	SD1705	32	31	30	29	28	27	26	25	24	23	22	21	20	19	18	17	SD1706	48	47	46	45	44	43	42	41	40	39	38	37	36	35	34	33	SD1707	64	63	62	61	60	59	58	57	56	55	54	53	52	51	50	49		b15	b14	b13	b12	b11	b10	b9	b8	b7	b6	b5	b4	b3	b2	b1	b0	SD1704	16	15	14	13	12	11	10	9	8	7	6	5	4	3	2	1	S (Every END processing)	New	QnUDV*1 QnUDPV*1 LCPU*2
	b15	b14	b13	b12	b11	b10	b9	b8	b7	b6	b5	b4	b3	b2	b1	b0																																																																																																													
SD1704	16	15	14	13	12	11	10	9	8	7	6	5	4	3	2	1																																																																																																													
SD1705	32	31	30	29	28	27	26	25	24	23	22	21	20	19	18	17																																																																																																													
SD1706	48	47	46	45	44	43	42	41	40	39	38	37	36	35	34	33																																																																																																													
SD1707	64	63	62	61	60	59	58	57	56	55	54	53	52	51	50	49																																																																																																													
	b15	b14	b13	b12	b11	b10	b9	b8	b7	b6	b5	b4	b3	b2	b1	b0																																																																																																													
SD1704	16	15	14	13	12	11	10	9	8	7	6	5	4	3	2	1																																																																																																													
SD1716	Total number of connected stations	Total number of connected stations	The total number of connected stations set in parameter is stored.	S (Initial)	New	QnUDV*1 QnUDPV*1 LCPU*2																																																																																																																							

Number	Name	Meaning	Explanation	Set by (When Set)	Corresponding ACPU D9□□□	Corresponding CPU																																																																																																																							
SD1718 to SD1721	Reserved station specification status of each station	Reserved station specification status of each station	<p>The reserved station specification status is stored in the following bit pattern. (Off: Other than the reserved station, On: Reserved station)</p> <p>■QnUDV, QnUDPV</p> <table border="1"> <tr> <td></td><td>b15</td><td>b14</td><td>b13</td><td>b12</td><td>b11</td><td>b10</td><td>b9</td><td>b8</td><td>b7</td><td>b6</td><td>b5</td><td>b4</td><td>b3</td><td>b2</td><td>b1</td><td>b0</td> </tr> <tr> <td>SD1718</td><td>16</td><td>15</td><td>14</td><td>13</td><td>12</td><td>11</td><td>10</td><td>9</td><td>8</td><td>7</td><td>6</td><td>5</td><td>4</td><td>3</td><td>2</td><td>1</td> </tr> <tr> <td>SD1719</td><td>32</td><td>31</td><td>30</td><td>29</td><td>28</td><td>27</td><td>26</td><td>25</td><td>24</td><td>23</td><td>22</td><td>21</td><td>20</td><td>19</td><td>18</td><td>17</td> </tr> <tr> <td>SD1720</td><td>48</td><td>47</td><td>46</td><td>45</td><td>44</td><td>43</td><td>42</td><td>41</td><td>40</td><td>39</td><td>38</td><td>37</td><td>36</td><td>35</td><td>34</td><td>33</td> </tr> <tr> <td>SD1721</td><td>64</td><td>63</td><td>62</td><td>61</td><td>60</td><td>59</td><td>58</td><td>57</td><td>56</td><td>55</td><td>54</td><td>53</td><td>52</td><td>51</td><td>50</td><td>49</td> </tr> </table> <p>■LCPV</p> <table border="1"> <tr> <td></td><td>b15</td><td>b14</td><td>b13</td><td>b12</td><td>b11</td><td>b10</td><td>b9</td><td>b8</td><td>b7</td><td>b6</td><td>b5</td><td>b4</td><td>b3</td><td>b2</td><td>b1</td><td>b0</td> </tr> <tr> <td>SD1718</td><td>16</td><td>15</td><td>14</td><td>13</td><td>12</td><td>11</td><td>10</td><td>9</td><td>8</td><td>7</td><td>6</td><td>5</td><td>4</td><td>3</td><td>2</td><td>1</td> </tr> </table> <p>The numbers in the figure indicate station numbers. (Condition)</p> <ul style="list-style-type: none"> • Only the bit of the start station number turns on. • The status is not stored for the station numbers after the maximum station number. 		b15	b14	b13	b12	b11	b10	b9	b8	b7	b6	b5	b4	b3	b2	b1	b0	SD1718	16	15	14	13	12	11	10	9	8	7	6	5	4	3	2	1	SD1719	32	31	30	29	28	27	26	25	24	23	22	21	20	19	18	17	SD1720	48	47	46	45	44	43	42	41	40	39	38	37	36	35	34	33	SD1721	64	63	62	61	60	59	58	57	56	55	54	53	52	51	50	49		b15	b14	b13	b12	b11	b10	b9	b8	b7	b6	b5	b4	b3	b2	b1	b0	SD1718	16	15	14	13	12	11	10	9	8	7	6	5	4	3	2	1	S (Initial)	New	QnUDV ^{*1} QnUDPV ^{*1} LCPV ^{*2}
	b15	b14	b13	b12	b11	b10	b9	b8	b7	b6	b5	b4	b3	b2	b1	b0																																																																																																													
SD1718	16	15	14	13	12	11	10	9	8	7	6	5	4	3	2	1																																																																																																													
SD1719	32	31	30	29	28	27	26	25	24	23	22	21	20	19	18	17																																																																																																													
SD1720	48	47	46	45	44	43	42	41	40	39	38	37	36	35	34	33																																																																																																													
SD1721	64	63	62	61	60	59	58	57	56	55	54	53	52	51	50	49																																																																																																													
	b15	b14	b13	b12	b11	b10	b9	b8	b7	b6	b5	b4	b3	b2	b1	b0																																																																																																													
SD1718	16	15	14	13	12	11	10	9	8	7	6	5	4	3	2	1																																																																																																													
SD1722	Link scan information	Maximum link scan of group No.1	The maximum link scan time value during cyclic transmission is stored. (Unit: ms)	S (Status change)	New	QnUDV ^{*1} QnUDPV ^{*1} LCPV ^{*2}																																																																																																																							
SD1723		Minimum link scan of group No.1	The minimum link scan time value during cyclic transmission is stored. (Unit: ms)	S (Status change)	New	QnUDV ^{*1} QnUDPV ^{*1} LCPV ^{*2}																																																																																																																							
SD1724		Current link scan of group No.1	The current link scan time value during cyclic transmission is stored. (Unit: ms)	S (Status change)	New	QnUDV ^{*1} QnUDPV ^{*1} LCPV ^{*2}																																																																																																																							
SD1726		Maximum link scan of group No.2	The maximum link scan time value during cyclic transmission is stored. (Unit: ms)	S (Status change)	New	QnUDV ^{*3} QnUDPV ^{*3}																																																																																																																							
SD1727		Minimum link scan of group No.2	The minimum link scan time value during cyclic transmission is stored. (Unit: ms)	S (Status change)	New	QnUDV ^{*3} QnUDPV ^{*3}																																																																																																																							
SD1728		Current link scan of group No.2	The current link scan time value during cyclic transmission is stored. (Unit: ms)	S (Status change)	New	QnUDV ^{*3} QnUDPV ^{*3}																																																																																																																							
SD1730		Maximum link scan of group No.3	The maximum link scan time value during cyclic transmission is stored. (Unit: ms)	S (Status change)	New	QnUDV ^{*3} QnUDPV ^{*3}																																																																																																																							
SD1731		Minimum link scan of group No.3	The minimum link scan time value during cyclic transmission is stored. (Unit: ms)	S (Status change)	New	QnUDV ^{*3} QnUDPV ^{*3}																																																																																																																							
SD1732		Current link scan of group No.3	The current link scan time value during cyclic transmission is stored. (Unit: ms)	S (Status change)	New	QnUDV ^{*3} QnUDPV ^{*3}																																																																																																																							
SD1734		Maximum link scan of group No.4	The maximum link scan time value during cyclic transmission is stored. (Unit: ms)	S (Status change)	New	QnUDV ^{*3} QnUDPV ^{*3}																																																																																																																							
SD1735		Minimum link scan of group No.4	The minimum link scan time value during cyclic transmission is stored. (Unit: ms)	S (Status change)	New	QnUDV ^{*3} QnUDPV ^{*3}																																																																																																																							
SD1736		Current link scan of group No.4	The current link scan time value during cyclic transmission is stored. (Unit: ms)	S (Status change)	New	QnUDV ^{*3} QnUDPV ^{*3}																																																																																																																							

A

Appendix 3 List of Special Register Areas

Number	Name	Meaning	Explanation	Set by (When Set)	Corresponding ACPU D9□□□	Corresponding CPU												
SD1741	Diagnostic request information	Diagnostic request information	<p>The diagnostic information display target slave station is specified.</p> <p>■QnUDV, QnUDPV Range: 1 to 64</p> <ul style="list-style-type: none"> For the High-speed Universal model QCPU and Universal model Process CPU whose serial number (first five digits) is earlier than "19042", the range is 1 to 16. <p>■LCPV Range: 1 to 16</p> <ul style="list-style-type: none"> For the Built-in Ethernet port LCPV whose serial number (first five digits) is earlier than "19042", the range is 1 to 8. 	U	New	QnUDV*1 QnUDPV*1 LCPV*2												
SD1742	Diagnostic information status flag	Diagnostic information status flag	<ul style="list-style-type: none"> After the END instruction in the scan where SM1741 turns on is executed, the status (valid or invalid) of diagnostic information (Diagnostic information 1, Diagnostic information 2) of the slave station specified in SD1741 is stored. If the station number of the slave station specified in SD1741 is the start station number of the occupied stations, 1 is stored in Diagnostic information 1 (b0 to b7) and Diagnostic information 2 (b8 to b15). (If the station is a reserved station, 0 is stored in Diagnostic information 2 (b8 to b15).) If parameters have not been set to the slave station specified in SD1741 or the station number of the slave station specified in SD1741 is not the start station number of the occupied stations, 0 is stored in Diagnostic information 0 (b0 to b7) and Diagnostic information 2 (b8 to b15). <div style="text-align: center;"> <table border="1" style="margin: auto;"> <tr> <td style="padding: 2px;">b15</td> <td style="padding: 2px;">...</td> <td style="padding: 2px;">b8</td> <td style="padding: 2px;">b7</td> <td style="padding: 2px;">...</td> <td style="padding: 2px;">b0</td> </tr> <tr> <td style="width: 20px; height: 15px;"></td> <td style="width: 20px;"></td> <td style="width: 20px;"></td> <td style="width: 20px;"></td> <td style="width: 20px;"></td> <td style="width: 20px;"></td> </tr> </table> </div> <p>b0 to b7: Diagnostic information 1 (0: Invalid, 1: Valid) b8 to b15: Diagnostic information 2 (0: Invalid, 1: Valid)</p> <ul style="list-style-type: none"> When b0 to b7 are 1 (valid), the number of occupied stations, group number, IP address, the accumulated number of timeouts, and the accumulated number of disconnection detections are stored in SD1743 to SD1754. When b0 to b7 are 0 (invalid), 0 is stored in SD1743 to SD1754. When b8 to b15 are 1 (valid), the manufacturer code, model code, device version, module information, error code, and detailed module information are stored in SD1758 to SD1767. When b8 to b15 are 0 (invalid), 0 is stored in SD1758 to SD1767. 	b15	...	b8	b7	...	b0							S (Status change)	New	QnUDV*1 QnUDPV*1 LCPV*2
b15	...	b8	b7	...	b0													

Number	Name	Meaning	Explanation	Set by (When Set)	Corresponding ACPU D9□□□	Corresponding CPU						
SD1743	Diagnostic information 1*4	Number of occupied stations	After the END instruction in the scan where SM1741 turns on is executed, the number of occupied stations of the slave station specified in SD1741 is stored.	S (Status change)	New	QnUDV*1 QnUDPV*1 LCPV*2						
SD1744		Group No.	After the END instruction in the scan where SM1741 turns on is executed, the group number of the slave station specified in SD1741 is stored.									
SD1745		IP address (lower digits)	<ul style="list-style-type: none"> After the END instruction in the scan where SM1741 turns on is executed, the IP address of the slave station specified in SD1741 is stored. When the IP address has not been set in parameter, 0 is stored. 									
SD1746		IP address (upper digits)	<p style="text-align: center;">b15 ... b8 b7 ... b0</p> <table border="1" style="margin-left: auto; margin-right: auto;"> <tr> <td>SD1745</td> <td style="text-align: center;">3</td> <td style="text-align: center;">4</td> </tr> <tr> <td>SD1746</td> <td style="text-align: center;">1</td> <td style="text-align: center;">2</td> </tr> </table> <p>1 to 4: First to fourth bytes</p>				SD1745	3	4	SD1746	1	2
SD1745		3	4									
SD1746		1	2									
SD1753	Accumulated number of timeouts	<ul style="list-style-type: none"> After the END instruction in the scan where SM1741 turns on is executed, the accumulated number of timeouts occurred in the slave station specified in SD1741 is stored. <p>0: No timeouts 1 to 65535: Number of timeouts (When the count exceeds 65535, counting is continued from 1 again.)</p>										
SD1754	Accumulated number of disconnection detections	<ul style="list-style-type: none"> After the END instruction in the scan where SM1741 turns on is executed, the accumulated number of disconnections detected in the slave station specified in SD1741 is stored. <p>0: No disconnections 1 to 65535: Number of disconnection detections (When the count exceeds 65535, counting is continued from 1 again.)</p>										
SD1758	Diagnostic information 2*4	Manufacturer code	After the END instruction in the scan where SM1741 turns on is executed, the manufacturer code of the slave station specified in SD1741 is stored.	S (Status change)	New	QnUDV*1 QnUDPV*1 LCPV*2						
SD1760		Model code (lower)	After the END instruction in the scan where SM1741 turns on is executed, the model code of the slave station specified in SD1741 is stored.									
SD1761		Model code (upper)										
SD1762		Device version	After the END instruction in the scan where SM1741 turns on is executed, the device version of the slave station specified in SD1741 is stored.									
SD1764		Module information	After the END instruction in the scan where SM1741 turns on is executed, the module information of the slave station specified in SD1741 is stored.									
SD1765		Error code	After the END instruction in the scan where SM1741 turns on is executed, the error code of the slave station specified in SD1741 is stored.									
SD1766		Detailed module information (lower)	After the END instruction in the scan where SM1741 turns on is executed, the detailed module information of the slave station specified in SD1741 is stored.									
SD1767		Detailed module information (upper)										

*1 Modules whose serial number (first five digits) is "18112" or later
 *2 Built-in Ethernet port LCPV whose serial number (first five digits) is "18112" or later
 *3 Modules whose serial number (first five digits) is "19042" or later
 *4 If the specified slave station is being disconnected, information immediately before the disconnection is stored.

A

Appendix 3 List of Special Register Areas

(25)CPU module data backup/restoration function

Number	Name	Meaning	Explanation	Set by (When Set)	Corresponding ACPU M9□□□	Corresponding CPU
SD1925	Number of backup/restoration uncompleted files	Stores the number of files which a backup or restoration is uncompleted.*1	The number of files which a backup or restoration is uncompleted is stored. Total number of files is stored at start, and reduced one each time one file is backed up or restored. "0" is stored when a backup or restoration is completed.	S (Status change)	New	QnUDV*2 QnUDPV*2
SD1926	Backup/restoration progression status	Stores the progression status of a backup or restoration.*1	The progression status of a backup or restoration is stored in percentage. (0 to 100%) "0" is stored at start of a backup or restoration.	S (Status change)	New	QnUDV*2 QnUDPV*2
SD1928	Upper limit value setting for the number of backup data	Upper limit value for the number of backup data is set	Set the upper limit value (1 to 100) for the number of backup data with this register. This register set the value of SD923 at the timing when the CPU module is powered off and on or is reset. Bit5 of SD910 is off: 0 Bit5 of SD910 is on: 1 to 100	S (Status change)/U	New	QnUDV*3 QnUDPV*3

*1 Since the registers cannot be monitored while the automatic restoration function is executed, check the operating status of an automatic restoration with LED on the front side of the CPU module.

*2 Modules whose serial number (first five digits) is "17103" or later

*3 Modules whose serial number (first five digits) is "18052" or later

(26)Built-in I/O function

Number	Name	Meaning	Explanation	Set by (When Set)	Corresponding ACPUD9□□□□	Corresponding CPU
SD1830 to SD1833	Functions selected for input signals	Functions selected for input signals	<p>This register stores values indicating functions assigned for input signals. Each signal has 4-bit data.</p> <p>SD1830</p> <pre> b15 b12 b11 b8 b7 b4 b3 b0 ┌───┬───┬───┬───┬───┬───┬───┬───┐ │ │ │ │ │ │ │ │ │ └───┴───┴───┴───┴───┴───┴───┴───┘ ← X3 → ← X2 → ← X1 → ← X0 → </pre> <p>SD1831</p> <pre> b15 b12 b11 b8 b7 b4 b3 b0 ┌───┬───┬───┬───┬───┬───┬───┬───┐ │ │ │ │ │ │ │ │ │ └───┴───┴───┴───┴───┴───┴───┴───┘ ← X7 → ← X6 → ← X5 → ← X4 → </pre> <p>SD1832</p> <pre> b15 b12 b11 b8 b7 b4 b3 b0 ┌───┬───┬───┬───┬───┬───┬───┬───┐ │ │ │ │ │ │ │ │ │ └───┴───┴───┴───┴───┴───┴───┴───┘ ← XB → ← XA → ← X9 → ← X8 → </pre> <p>SD1833</p> <pre> b15 b12 b11 b8 b7 b4 b3 b0 ┌───┬───┬───┬───┬───┬───┬───┬───┐ │ │ │ │ │ │ │ │ │ └───┴───┴───┴───┴───┴───┴───┴───┘ ← XF → ← XE → ← XD → ← XC → </pre> <p>Values are stored according to functions as follows:</p> <ul style="list-style-type: none"> • 0: General-purpose input function • 1: Interrupt input function • 2: Pulse catch function • 3: Positioning function • 4: High-speed counter function 	S (Every END processing)	New	LCPU
SD1834, SD1835	Functions selected for output signals	Functions selected for output signals	<p>This register stores values indicating functions assigned for output signals. Each signal has 4-bit data.</p> <p>SD1834</p> <pre> b15 b12 b11 b8 b7 b4 b3 b0 ┌───┬───┬───┬───┬───┬───┬───┬───┐ │ │ │ │ │ │ │ │ │ └───┴───┴───┴───┴───┴───┴───┴───┘ ← Y3 → ← Y2 → ← Y1 → ← Y0 → </pre> <p>SD1835</p> <pre> b15 b12 b11 b8 b7 b4 b3 b0 ┌───┬───┬───┬───┬───┬───┬───┬───┐ │ │ │ │ │ │ │ │ │ └───┴───┴───┴───┴───┴───┴───┴───┘ ← Y7 → ← Y6 → ← Y5 → ← Y4 → </pre> <p>Values are stored according to functions as follows:</p> <ul style="list-style-type: none"> • 0: General-purpose output function • 3: Positioning function • 4: High-speed counter function 	S (Every END processing)	New	LCPU

Number	Name	Meaning	Explanation	Set by (When Set)	Corresponding ACPUD9□□□	Corresponding CPU
SD1836	Operating status of positioning and high-speed counter functions	Operating status of positioning and high-speed counter functions	<p>This register stores the operating status of the positioning function and high-speed counter function.</p>	S (Every END processing)	New	LCPU
SD1840, SD1841	Axis 1 current feed value	Current feed value	<p>This register stores the current fixed value when the position where OPR control is completed is set as a base point. "0" is stored at power-on or reset of the CPU module. An OP address is stored at the completion of machine OPR control. This register is cleared to "0" when speed control in speed/position switching control is started.</p> <ul style="list-style-type: none"> When the current feed value is changed, the value after current value change is stored. The current position read from a servo amplifier is stored at the completion of absolute position restoration. *1*2 <p>*1 Range: -2147483648 to 2147483647 pulses *2 Since the internal update cycle of the storage value is 1ms, the information of the current feed value may be older than the actual command position by 1ms at maximum depending on the refresh timing at END processing.</p>	S (Every END processing)	New	LCPU
SD1842, SD1843	Axis 1 current speed	Current speed	<p>This register stores the current speed. (Fractions are not stored. If the current speed is slower than 1 pulse/s, "0" may be displayed.) *1*2</p> <p>*1 Range: 0 to 200000 pulses *2 Since the internal update cycle of the storage value is 1ms, the information of the current speed value may be older than the actual command position by 1ms at maximum depending on the refresh timing at END processing.</p>	S (Every END processing)	New	LCPU
SD1844	Axis 1 axis operation status	Axis operation status	<p>This register stores the axis operating status.</p> <ul style="list-style-type: none"> -1: Error occurring 0: Standing by 1: Stopped 2: In JOG operation 3: In OPR 4: In position control 5: In speed-position control (speed) (speed control in speed/position switching control) 6: In speed-position control (position) (position control in speed/position switching control) 7: Decelerating (axis stop ON) 8: Decelerating (JOG start OFF) 9: In high-speed OPR 10: In speed control 11: Analyzing 	S (Every END processing)	New	LCPU



Number	Name	Meaning	Explanation	Set by (When Set)	Corresponding ACPUD9□□□□	Corresponding CPU
SD1845	Axis 1 error code	Error code	<ul style="list-style-type: none"> This register stores the error code of the present axis error. If another error occurs while an axis error occurs, the latest error code is not stored. This register is cleared to "0" by turning on SM1850. 	S (Every END processing)	New	LCPU
SD1846	Axis 1 warning code	Warning code	<ul style="list-style-type: none"> This register stores the warning code of the present axis warning. If another axis warning occurs, the latest warning code is written to this register. This register is cleared to "0" by turning on SM1850. 	S (Every END processing)	New	LCPU
SD1847	Axis 1 external I/O signal	External I/O signals	<ul style="list-style-type: none"> This register stores the on/off status of external I/O signals. When an OPR method with the OPR retry function (Near-point dog method, Count 1, Count 2) is performed, a value indicating the status of the upper limit signal or the lower limit signal is stored to the external command signal.*1 <p> b15 to b6 b5 b4 b3 b2 b1 b0 0 0/1 0/1 0/1 0/1 0/1 0/1 Lower limit signal 0: OFF 1: ON Upper limit signal 0: OFF 1: ON Near-point dog signal 0: OFF 1: ON Drive unit ready signal 0: OFF 1: ON External command signal 0: OFF 1: ON Zero signal 0: OFF 1: ON Fixed to 0. </p> <p>*1 When an OPR method with the OPR retry function is performed even once, a value indicating the status of the upper limit signal or the lower limit signal will be stored until when speed/position switching control is started.</p>	S (Every END processing)	New	LCPU
SD1848, SD1849	Axis 1 movement amount after near-point dog ON	Movement amount after near-point dog ON	<ul style="list-style-type: none"> This register stores "0" when machine OPR control is started. After machine OPR control is started, this register stores a travel distance from the point where the near-point dog signal turns on (The point is set to "0".) to the point where machine OPR control is completed.*1 When an OPR method is set to Stopper 3, this register always stores "0". <p>*1 Range: 0 to 2147483647 pulses</p>	S (Every END processing)	New	LCPU
SD1850	Axis 1 Data No. of positioning being executed	Data No. of positioning being executed	<ul style="list-style-type: none"> This register stores the data No. of positioning being executed. (A storage value will be held until the next control starts.) "0" is stored when JOG operation or machine OPR control is started. "1" is stored when high-speed OPR control is started. "1" is stored when positioning control is started by the IPDSTRT1 or IPDSTRT2 instruction. If an error occurs at the start of positioning control, the previous value will be held. 	S (Every END processing)	New	LCPU

Number	Name	Meaning	Explanation	Set by (When Set)	Corresponding ACPUD9□□□	Corresponding CPU
SD1860, SD1861	Axis 2 current feed value	Current feed value	<p>This register stores the current position value when the position where OPR control is completed is set as a base point.</p> <p>"0" is stored at power-on or reset of the CPU module. An OP address is stored at the completion of machine OPR control.</p> <p>This register is cleared to "0" when speed control in speed/position switching control is started.</p> <ul style="list-style-type: none"> When the current feed value is changed, the value after current value change is stored. The current position read from a servo amplifier is stored at the completion of absolute position restoration.*1*2 <p>*1 Range: -2147483648 to 2147483647 pulses *2 Since the internal update cycle of the storage value is 1ms, the information of the current feed value may be older than the actual command position by 1ms at maximum depending on the refresh timing at END processing.</p>	S (Every END processing)	New	LCPU
SD1862, SD1863	Axis 2 current speed	Current speed	<p>This register stores the current speed. (Fractions are not stored. If the current speed is slower than 1 pulse/s, "0" may be displayed.)*1*2</p> <p>*1 Range: 0 to 200000 pulses *2 Since the internal update cycle of the storage value is 1ms, the information of the current speed value may be older than the actual command position by 1ms at maximum depending on the refresh timing at END processing.</p>	S (Every END processing)	New	LCPU
SD1864	Axis 2 axis operation status	Axis operation status	<p>This register stores the axis operating status.</p> <ul style="list-style-type: none"> -1: Error occurring 0: Standing by 1: Stopped 2: In JOG operation 3: In OPR 4: In position control 5: In speed-position control (speed) (speed control in speed/position switching control) 6: In speed-position control (position) (position control in speed/position switching control) 7: Decelerating (axis stop ON) 8: Decelerating (JOG start OFF) 9: In high-speed OPR 10: In speed control 11: Analyzing 	S (Every END processing)	New	LCPU
SD1865	Axis 2 error code	Error code	<ul style="list-style-type: none"> This register stores the error code of the present axis error. If another error occurs while an axis error occurs, the latest error code is not stored. This register is cleared to "0" by turning on SM1870. 	S (Every END processing)	New	LCPU
SD1866	Axis 2 warning code	Warning code	<ul style="list-style-type: none"> This register stores the warning code of the present axis warning. If another axis warning occurs, the latest warning code is written to this register. This register is cleared to "0" by turning on SM1870. 	S (Every END processing)	New	LCPU



Appendix 3 List of Special Register Areas

Number	Name	Meaning	Explanation	Set by (When Set)	Corresponding ACPUD9□□□□	Corresponding CPU
SD1867	Axis 2 external I/O signals	External I/O signals	<ul style="list-style-type: none"> This register stores the on/off status of external I/O signals. When an OPR method with the OPR retry function (Near-point dog method, Count 1, Count 2) is performed, a value indicating the status of the upper limit signal or the lower limit signal is stored to the external command signal.*1 <p>*1 When an OPR method with the OPR retry function is performed even once, a value indicating the status of the upper limit signal or the lower limit signal will be stored until when speed/position switching control is started.</p>	S (Every END processing)	New	LCPU
SD1868, SD1869	Axis 2 movement amount after near-point dog ON	Movement amount after near-point dog ON	<ul style="list-style-type: none"> This register stores "0" when machine OPR control is started. After machine OPR control is started, this register stores a travel distance from the point where the near-point dog signal turns on (The point is set to "0".) to the point where machine OPR control is completed.*1 When an OPR method is set to Stopper 3, this register always stores "0". <p>*1 Range: 0 to 2147483647 pulses</p>	S (Every END processing)	New	LCPU
SD1870	Axis 2 Data No. of positioning being executed	Data No. of positioning being executed	<ul style="list-style-type: none"> This register stores the data No. of positioning being executed. (A storage value will be held until the next control starts.) "0" is stored when JOG operation or machine OPR control is started. "1" is stored when high-speed OPR control is started. "1" is stored when positioning control is started by the IPDSTRT1 or IPDSTRT2 instruction. If an error occurs at the start of positioning control, the previous value will be held. 	S (Every END processing)	New	LCPU
SD1880, SD1881	CH1 current value	CH1 current value	<ul style="list-style-type: none"> This register stores the current counter value of CH1 at END processing. When the ICCNTRD1 instruction is executed, this register is updated by the current value at that moment. <p>The current value is updated at END processing and by the ICCNTRD1 instruction only when Normal Mode is set for Operation Mode Setting (high-speed counter function parameter). The range of a value that can be read is from -2147483648 to 2147483647.</p>	S (Every END processing/ Instruction execution)	New	LCPU

Number	Name	Meaning	Explanation	Set by (When Set)	Corresponding ACPUD9□□□	Corresponding CPU
SD1882	CH1 status monitor	CH1 status monitor	<p>This register stores each status of CH1.</p>	S (Every END processing)	New	LCPU
SD1883	CH1 external I/O status monitor	CH1 external I/O status monitor	<ul style="list-style-type: none"> This register stores a value indicating the external I/O signal status of CH1. Unused signal status is fixed at off. When Normal Mode is set for Operation Mode Setting (high-speed counter function parameter), a value according to the setting configured for Function Input Logic Setting (high-speed counter function parameter) is stored in the function input status. Therefore, when a voltage is applied to the function input terminal while Negative logic is set for Function input logic setting, this register turns off. When other than A Phase/B Phase is selected for Count Source Selection (high-speed counter function parameter), the phase A input status and phase B input status are fixed at off. 	S (Every END processing)	New	LCPU
SD1884	CH1 operation mode monitor	CH1 operation mode monitor	<p>This register stores a value indicating the operation mode for high-speed counter of CH1 set by the parameter.</p> <ul style="list-style-type: none"> 0: Not used 1: Normal mode 2: Frequency measurement mode 3: Rotation speed measurement mode 4: Pulse measurement mode 5: PWM output mode 	S (Every END processing)	New	LCPU

A

Appendix 3 List of Special Register Areas

Number	Name	Meaning	Explanation	Set by (When Set)	Corresponding ACPUD9□□□	Corresponding CPU
SD1885	CH1 counter type monitor	CH1 counter type monitor	This register stores a value indicating the counter type for high-speed counter of CH1 set by the parameter. Counter selection is disabled (fixed at "0") when a value stored to CH1 operation mode monitor (SD1884) is other than "1" (normal mode). • 0: Linear counter • 1: Ring counter	S (Every END processing)	New	LCPU
SD1886	CH1 selected counter function	CH1 selected counter function	This register stores a value indicating the selected counter function for high-speed counter of CH1 set by the parameter. Counter selection is disabled (fixed at "0") when a value stored to CH1 operation mode monitor (SD1884) is other than "1" (normal mode). • 0: Count disabling function • 1: Latch counter function • 2: Sampling counter function • 3: Count disabling/preset function • 4: Latch counter/preset function	S (Every END processing)	New	LCPU
SD1887	CH1 error code	CH1 error code	This register stores the error code of an error occurred in CH1.	S (Every END processing)	New	LCPU
SD1888	CH1 warning code	CH1 warning code	This register stores the warning code of a warning occurred in CH1.	S (Every END processing)	New	LCPU
SD1900, SD1901	CH2 current value	CH2 current value	• This register stores the current counter value of CH2 at END processing. • When the ICCNTRD2 instruction is executed, this register is updated by the current value at that moment. The current value is updated at END processing and by the ICCNTRD2 instruction only when Normal Mode is set for Operation Mode Setting (high-speed counter function parameter). The range of a value that can be read is from -2147483648 to 2147483647.	S (Every END processing/ Instruction execution)	New	LCPU
SD1902	CH2 status monitor	CH2 status monitor	This register stores each status of CH2. 	S (Every END processing)	New	LCPU

Number	Name	Meaning	Explanation	Set by (When Set)	Corresponding ACPUD9□□□	Corresponding CPU
SD1903	CH2 external I/O status monitor	CH2 external I/O status monitor	<ul style="list-style-type: none"> This register stores a value indicating the external I/O signal status of CH2. Unused signal status is fixed at off. When Normal Mode is set for Operation Mode Setting (high-speed counter function parameter), a value according to the setting configured for Function Input Logic Setting (high-speed counter function parameter) is stored in the function input status. Therefore, when a voltage is applied to the function input terminal while Negative logic is set for Function input logic setting, this register turns off. When other than A Phase/B Phase is selected for Count Source Selection (high-speed counter function parameter), the phase A input status and phase B input status are fixed at off. 	S (Every END processing)	New	LCPU
SD1904	CH2 operation mode monitor	CH2 operation mode monitor	<p>This register stores a value indicating the operation mode for high-speed counter of CH2 set by the parameter.</p> <ul style="list-style-type: none"> 0: Unused 1: Normal mode 2: Frequency measurement mode 3: Rotation speed measurement mode 4: Pulse measurement mode 5: PWM output mode 	S (Every END processing)	New	LCPU
SD1905	CH2 counter type monitor	CH2 counter type monitor	<p>This register stores a value indicating the counter type for high-speed counter of CH2 set by the parameter. Counter selection is disabled (fixed at "0") when a value stored to CH2 operation mode monitor (SD1904) is other than "1" (normal mode).</p> <ul style="list-style-type: none"> 0: Linear counter 1: Ring counter 	S (Every END processing)	New	LCPU
SD1906	CH2 selected counter function	CH2 selected counter function	<p>This register stores a value indicating the selected counter function for high-speed counter of CH2 set by the parameter. Counter selection is disabled (fixed at "0") when a value stored to CH2 operation mode monitor (SD1904) is other than "1" (normal mode).</p> <ul style="list-style-type: none"> 0: Count disabling function 1: Latch counter function 2: Sampling counter function 3: Count disabling/preset function 4: Latch counter/preset function 	S (Every END processing)	New	LCPU
SD1907	CH2 error code	CH2 error code	This register stores the error code of an error occurred in CH2.	S (Every END processing)	New	LCPU
SD1908	CH2 warning code	CH2 warning code	This register stores the warning code of a warning occurred in CH2.	S (Every END processing)	New	LCPU



Appendix 3 List of Special Register Areas

(27)Data logging

Number	Name	Meaning	Explanation	Set by (When Set)	Corresponding ACPU D9□□□	Corresponding CPU
SD1940, SD1941	Data logging setting No.1 Latest file No.	Latest file No.	This register stores the latest file number. This register is cleared to "0" by a stop command from the CPU Module Logging Configuration Tool.	S (Status change)	New	QnUDV QnUDPV LCPU
SD1942, SD1943	Data logging setting No.1 Oldest file No.	Oldest file No.	This register stores the oldest file number. This register is cleared to "0" by a stop command from the CPU Module Logging Configuration Tool.	S (Status change)	New	QnUDV QnUDPV LCPU
SD1944	Data logging setting No.1 Free buffer space	Free buffer space	This register stores free buffer space (unit: 1K byte). If the value is small, processing overflow may occur. For trigger logging, this register stores the buffer size until when data are collected by the number of records after trigger. This register is cleared to "0" by a stop command from the CPU Module Logging Configuration Tool.	S (Status change)	New	QnUDV QnUDPV LCPU
SD1945	Data logging setting No.1 Processing timeout count	Number of times processing overflow occurred	This register stores the number of times that data logging processing overflow occurred. If an overflow occurs, some data may not be collected. When the storage value reaches to 65535, count is resumed from "0". If Stop is specified for Operation occurring when number of saved files is exceeded, processing overflow may occur from when data collection by the number of specified storage files is completed and until when data logging is stopped. This register is cleared to "0" by the registration of the setting or a stop command from CPU Module Logging Configuration Tool.	S (Error)	New	QnUDV QnUDPV LCPU
SD1946	Data logging setting No.1 Data logging error cause	Data logging error cause	This register stores the cause of an error that occurred during data logging. • 0: No error • Other than 0: For values stored at error occurrence, refer to the errors that occurs in data logging described in the following. (□□ QnUDVCPULCPU User's Manual (Data Logging Function)) This register is cleared to "0" by the registration of the setting or a stop command from CPU Module Logging Configuration Tool.	S (Error)	New	QnUDV QnUDPV LCPU
SD1947	Data logging setting No.1 Data logging file transfer function error code	Data logging file transfer function error code	This register stores the error code of the latest error detected during execution of the data logging file transfer function. • 0: No error • Other than 0: For values stored at error occurrence, refer to the errors that occurs in data logging described in the following. (□□ QnUDVCPULCPU User's Manual (Data Logging Function)) This register is cleared to "0" by the data logging start command from the CPU Module Logging Configuration Tool.	S (Error)	New	QnUDV QnUDPV LCPU*1

Number	Name	Meaning	Explanation	Set by (When Set)	Corresponding ACPU D9□□□	Corresponding CPU
SD1950 to SD1957	Data logging setting No.2	Same as in data logging setting No.1	Same as in data logging setting No.1 (SD1940 to SD1947)	Same as in data logging setting No.1	New	QnUDV QnUDPV LCPU* ¹
SD1960 to SD1967	Data logging setting No.3					
SD1970 to SD1977	Data logging setting No.4					
SD1980 to SD1987	Data logging setting No.5					
SD1990 to SD1997	Data logging setting No.6					
SD2000 to SD2007	Data logging setting No.7					
SD2010 to SD2017	Data logging setting No.8					
SD2020 to SD2027	Data logging setting No.9					
SD2030 to SD2037	Data logging setting No.10					


*1 Modules whose serial number (first five digits) is "12112" or later support the data logging file transfer function error code areas.



Appendix 4 Battery Life

Check the life of a battery depending on a CPU module used, battery consumption value, and operating time.

It is recommended to replace a battery on a regular basis although the battery still has its service life left or no alarm has yet occurred.

For battery replacement, refer to  Page 107, Section 16.3.

(1) Precautions for battery life

Note the following precautions for battery life.

- Use a battery within the guaranteed value for battery life. When the battery is expected to be used exceeding the guaranteed value, perform boot operation or back up programs and data.
- When a battery is kept without connecting to a CPU module, its service life is five years.
- When SM52 (Battery low) turns on, immediately replace the battery.

(2) Battery consumption value

Battery consumption value is a value indicating the amount of CPU module battery consumption.

The larger the battery consumption value is, the more battery energy is consumed per hour.

The current battery consumption value can be checked in SD118 (Amount of battery consumption).


(a) Influence factor

A battery consumption value depends on the following factors.

The following shows the combination patterns of factors.

Influence factor			Combination pattern
Battery life-prolonging function *1	Module error collection function *1	Size of file register file in standard RAM (S _R)	
Set	—	—	A
Not set	Not set	No file or $0K < S_R \leq 128K$	B
		$128K < S_R \leq 384K$	C
	Set	No file or $0K < S_R \leq 128K$	D
		$128K < S_R \leq 384K$	E

*1 For each function, refer to the following.

 MELSEC-L CPU Module User's Manual (Function Explanation, Program Fundamentals)

(b) Battery consumption value

The battery consumption value of a CPU module for each pattern is as follows.

CPU module	Combination pattern				
	A	B	C	D	E
L02SCPU, L02SCPU-P, L02CPU, L02CPU-P	1	2	—	2	—
L06CPU, L06CPU-P, L26CPU, L26CPU-P, L26CPU-BT, L26CPU-PBT	1	2	3	2	3

Appendix 4.1 Battery life list

(1) Q6BAT

CPU module	Battery consumption value	Power-on time ratio ^{*1}	Battery life		
			Guaranteed value ^{*2}	Actual service value ^{*3}	After SM52 is turned on ^{*4}
L02SCPU, L02SCPU-P, L02CPU, L02CPU-P	1	0%	43,000hr (4.91 years)	43,800hr (5.00 years)	600hr (25 days)
		30%	43,800hr (5.00 years)	43,800hr (5.00 years)	600hr (25 days)
		50%	43,800hr (5.00 years)	43,800hr (5.00 years)	600hr (25 days)
		70%	43,800hr (5.00 years)	43,800hr (5.00 years)	600hr (25 days)
		100%	43,800hr (5.00 years)	43,800hr (5.00 years)	600hr (25 days)
	2	0%	36,500hr (4.17 years)	43,800hr (5.00 years)	600hr (25 days)
		30%	43,800hr (5.00 years)	43,800hr (5.00 years)	600hr (25 days)
		50%	43,800hr (5.00 years)	43,800hr (5.00 years)	600hr (25 days)
		70%	43,800hr (5.00 years)	43,800hr (5.00 years)	600hr (25 days)
		100%	43,800hr (5.00 years)	43,800hr (5.00 years)	600hr (25 days)
L06CPU, L06CPU-P, L26CPU, L26CPU-P, L26CPU-BT, L26CPU-PBT	1	0%	35,800hr (4.09 years)	43,800hr (5.00 years)	600hr (25 days)
		30%	43,800hr (5.00 years)	43,800hr (5.00 years)	600hr (25 days)
		50%	43,800hr (5.00 years)	43,800hr (5.00 years)	600hr (25 days)
		70%	43,800hr (5.00 years)	43,800hr (5.00 years)	600hr (25 days)
		100%	43,800hr (5.00 years)	43,800hr (5.00 years)	600hr (25 days)
	2	0%	3,900hr (0.45 years)	28,100hr (3.21 years)	288hr (12 days)
		30%	5,600hr (0.64 years)	40,200hr (4.59 years)	288hr (12 days)
		50%	7,800hr (0.89 years)	43,800hr (5.00 years)	288hr (12 days)
		70%	13,000hr (1.48 years)	43,800hr (5.00 years)	288hr (12 days)
		100%	43,800hr (5.00 years)	43,800hr (5.00 years)	288hr (12 days)
	3	0%	2,000hr (0.23 years)	18,600hr (2.12 years)	192hr (8 days)
		30%	2,900hr (0.33 years)	26,600hr (3.04 years)	192hr (8 days)
		50%	4,100hr (0.47 years)	37,300hr (4.26 years)	192hr (8 days)
		70%	6,800hr (0.78 years)	43,800hr (5.00 years)	192hr (8 days)
		100%	43,800hr (5.00 years)	43,800hr (5.00 years)	192hr (8 days)

- *1 The power-on time ratio is the ratio of programmable controller power-on time to one day (24 hours).
(When the total power-on time is 12 hours, the ratio is 50%. When the time is 6 hours, the ratio is 25%.)
- *2 The guaranteed value is a battery life at 70°C, which is calculated based on the characteristics of the manufacturer-supplied memory, when the battery is stored within the ambient temperature range of -25 to 75°C (or used within the ambient temperature range of 0 to 55°C).
- *3 The actual service value is a battery life calculated based on the values measured at storage ambient temperature of 40°C. This value is intended for reference only because it varies depending on the characteristics of the components.
- *4 SM52 turns on even when the battery connector is disconnected or the lead wire of the battery is disconnected. In this case, the battery stops working. The CPU module may lose data when the backup power time (three minutes) is elapsed after power-off.

A

Appendix 4 Battery Life
Appendix 4.1 Battery life list

(2) Q7BATN

CPU module	Battery consumption value	Power-on time ratio *1	Battery life		
			Guaranteed value *2	Actual service value *3	After SM52 is turned on *4
L02SCPU, L02SCPU-P, L02CPU, L02CPU-P	1	0%	43,800hr (5.00 years)	43,800hr (5.00 years)	600hr (25 days)
		30%			
		50%			
		70%			
		100%			
	2	0%	43,800hr (5.00 years)	43,800hr (5.00 years)	600hr (25 days)
		30%			
		50%			
		70%			
		100%			
L06CPU, L06CPU-P, L26CPU, L26CPU-P, L26CPU-BT, L26CPU-PBT	1	0%	43,800hr (5.00 years)	43,800hr (5.00 years)	600hr (25 days)
		30%			
		50%			
		70%			
		100%			
	2	0%	12,190hr (1.39 years)	43,800hr (5.00 years)	600hr (25 days)
		30%	17,414hr (1.99 years)		
		50%	24,379hr (2.78 years)		
		70%	40,632hr (4.64 years)		
		100%	43,800hr (5.00 years)		
	3	0%	6,548hr (0.75 years)	43,800hr (5.00 years)	600hr (25 days)
		30%	9,354hr (1.07 years)		
		50%	13,096hr (1.49 years)		
		70%	21,827hr (2.49 years)		
		100%	43,800hr (5.00 years)		

- *1 The power-on time ratio is the ratio of programmable controller power-on time to one day (24 hours).
(When the total power-on time is 12 hours, the ratio is 50%. When the time is 6 hours, the ratio is 25%.)
- *2 The guaranteed value is a battery life at 70°C, which is calculated based on the characteristics of the manufacturer-supplied memory, when the battery is stored within the ambient temperature range of -25 to 75°C (or used within the ambient temperature range of 0 to 55°C).
- *3 The actual service value is a battery life calculated based on the values measured at storage ambient temperature of 40°C. This value is intended for reference only because it varies depending on the characteristics of the components.
- *4 SM52 turns on even when the battery connector is disconnected or the lead wire of the battery is disconnected. In this case, the battery stops working. The CPU module may lose data when the backup power time (three minutes) is elapsed after power-off.

(3) Q7BAT

CPU module	Battery consumption value	Power-on time ratio *1	Battery life		
			Guaranteed value *2	Actual service value *3	After SM52 is turned on *4
L02SCPU, L02SCPU-P, L02CPU, L02CPU-P	1	0%	43,800hr (5.00 years)	43,800hr (5.00 years)	600hr (25 days)
		30%	43,800hr (5.00 years)	43,800hr (5.00 years)	600hr (25 days)
		50%	43,800hr (5.00 years)	43,800hr (5.00 years)	600hr (25 days)
		70%	43,800hr (5.00 years)	43,800hr (5.00 years)	600hr (25 days)
		100%	43,800hr (5.00 years)	43,800hr (5.00 years)	600hr (25 days)
	2	0%	43,800hr (5.00 years)	43,800hr (5.00 years)	600hr (25 days)
		30%	43,800hr (5.00 years)	43,800hr (5.00 years)	600hr (25 days)
		50%	43,800hr (5.00 years)	43,800hr (5.00 years)	600hr (25 days)
		70%	43,800hr (5.00 years)	43,800hr (5.00 years)	600hr (25 days)
		100%	43,800hr (5.00 years)	43,800hr (5.00 years)	600hr (25 days)
L06CPU, L06CPU-P, L26CPU, L26CPU-P, L26CPU-BT, L26CPU-PBT	1	0%	43,800hr (5.00 years)	43,800hr (5.00 years)	600hr (25 days)
		30%	43,800hr (5.00 years)	43,800hr (5.00 years)	600hr (25 days)
		50%	43,800hr (5.00 years)	43,800hr (5.00 years)	600hr (25 days)
		70%	43,800hr (5.00 years)	43,800hr (5.00 years)	600hr (25 days)
		100%	43,800hr (5.00 years)	43,800hr (5.00 years)	600hr (25 days)
	2	0%	10,000hr (1.14 years)	43,800hr (5.00 years)	600hr (25 days)
		30%	14,300hr (1.63 years)	43,800hr (5.00 years)	600hr (25 days)
		50%	20,000hr (2.28 years)	43,800hr (5.00 years)	600hr (25 days)
		70%	33,400hr (3.81 years)	43,800hr (5.00 years)	600hr (25 days)
		100%	43,800hr (5.00 years)	43,800hr (5.00 years)	600hr (25 days)
	3	0%	5,400hr (0.62 years)	43,800hr (5.00 years)	600hr (25 days)
		30%	7,700hr (0.88 years)	43,800hr (5.00 years)	600hr (25 days)
		50%	10,800hr (1.23 years)	43,800hr (5.00 years)	600hr (25 days)
		70%	18,100hr (2.07 years)	43,800hr (5.00 years)	600hr (25 days)
		100%	43,800hr (5.00 years)	43,800hr (5.00 years)	600hr (25 days)

- *1 The power-on time ratio is the ratio of programmable controller power-on time to one day (24 hours). (When the total power-on time is 12 hours, the ratio is 50%. When the time is 6 hours, the ratio is 25%.)
- *2 The guaranteed value is a battery life at 70°C, which is calculated based on the characteristics of the manufacturer-supplied memory, when the battery is stored within the ambient temperature range of -25 to 75°C (or used within the ambient temperature range of 0 to 55°C).
- *3 The actual service value is a battery life calculated based on the values measured at storage ambient temperature of 40°C. This value is intended for reference only because it varies depending on the characteristics of the components.
- *4 SM52 turns on even when the battery connector is disconnected or the lead wire of the battery is disconnected. In this case, the battery stops working. The CPU module may lose data when the backup power time (three minutes) is elapsed after power-off.

A

Appendix 4 Battery Life
Appendix 4.1 Battery life list

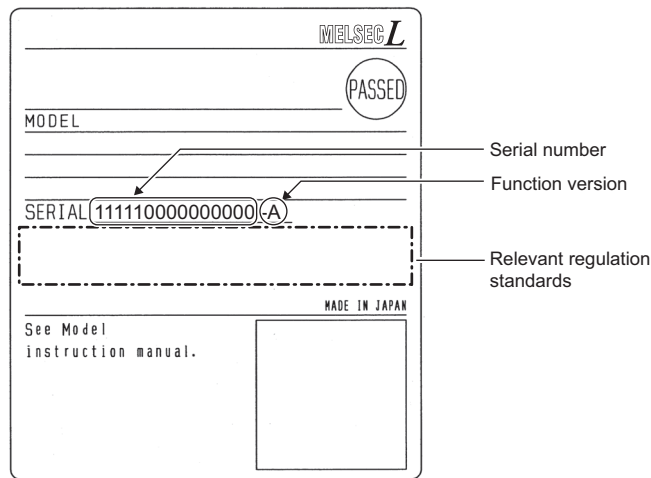
Appendix 5 Checking Serial Number and Function Version

The serial number and function version of the module can be checked any of on:

- the rating plate,
- the front of the module, or
- the System Monitor window in a programming tool.

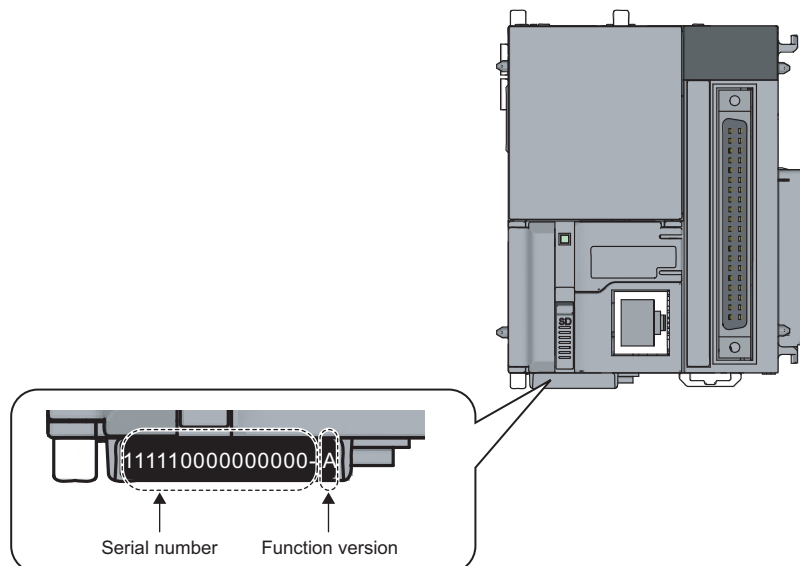
(1) Checking on the rating plate

The rating plate is located on the side of the module.



(2) Checking on the front of the module

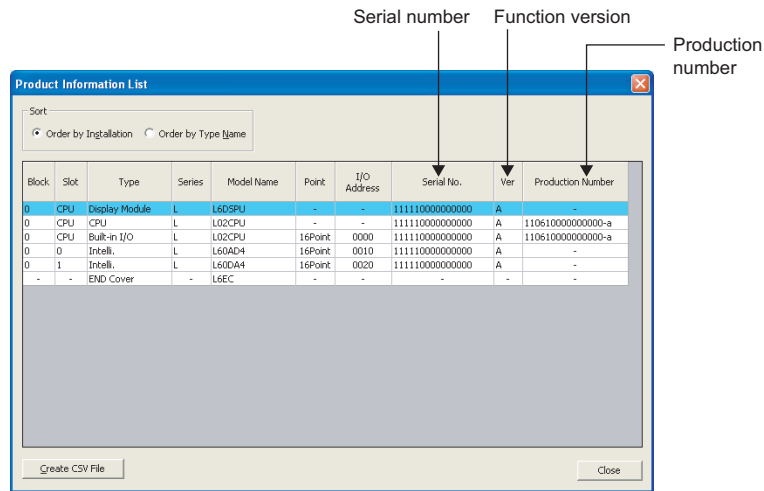
The serial number on the rating plate is printed on the front (at the bottom) of the module.



(3) Checking on the System Monitor window

The serial number and function version can be checked on the "Product Information List" window.

[Diagnostics] ⇒ [System Monitor...] ⇒ [Product Information List]



The serial number of the module is displayed in the "Serial No." column.

The function version of the module is displayed in the "Ver" column.

If the module supports the production number display, the serial number (production number) printed on the rating plate of the module is displayed in the "Production Number" column.

Point

The serial number displayed on the Product Information List window of the programming tool may differ from that on the rating plate or on the front of the module.

- The serial number on the rating plate or on the front of the module indicates the management information of the product.
- The serial number displayed on the Product Information List window indicates the functional information of the product. The functional information of the product will be updated when a function is added.

A

Appendix 5 Checking Serial Number and Function Version

Appendix 6 Added and Changed Functions

Some functions are added to the CPU module and GX Works2. The following table shows serial numbers of the CPU module and software versions of GX Works2 that support those added functions.

Added function	Serial No. (first 5 digits) of CPU module	GX Works2 version	Reference
Parameter-valid drive information	—	1.34L or later	MELSEC-L CPU Module User's Manual (Function Explanation, Program Fundamentals)
Data logging file transfer function* ¹	"12112" or later	1.45X or later	QnUDVCPULCPU User's Manual (Data Logging Function)
CC-Link IE Field Network	"13012" or later	1.53F or later	<ul style="list-style-type: none"> MELSEC-L CPU Module User's Manual (Function Explanation, Program Fundamentals) MELSEC-L CC-Link IE Field Network Master/Local Module User's Manual
Extension of available index register range (Z0 to Z19) when Jn and Un are used in the dedicated instruction		—	Manual of the network module or intelligent function module used
Simple PLC communication function* ¹	"13042" or later	1.62Q or later	MELSEC-L CPU Module User's Manual (Built-in Ethernet Function)
Memory check function (storage of device memory error information and program error location)	"13102" or later	—	Page 353, Appendix 3
Program cache memory auto recovery function			
Monitor condition setting	—	1.73B or later	MELSEC-L CPU Module User's Manual (Function Explanation, Program Fundamentals)
Project data batch save/load function* ¹	"14042" or later	—	
SD memory card operation using a display unit* ¹			
Own station number setting function (CC-Link IE Field Network module)		1.87R or later	MELSEC-L CC-Link IE Field Network Master/Local Module User's Manual
Reading/writing data from/to refresh devices with the specified station number	"14072" or later	—	MELSEC-Q/L Programming Manual (Common Instruction)
Ethernet module support	"14112" or later	1.98C or later	MELSEC-L Ethernet Interface Module User's Manual (Basic)
IP packet transfer function* ¹ * ²			MELSEC-L CPU Module User's Manual (Built-in Ethernet Function)
Serial communication function (RS-232 interface of the CPU module)* ¹		1.492N or later	<ul style="list-style-type: none"> MELSEC-L CPU Module User's Manual (Function Explanation, Program Fundamentals) iQ Sensor Solution Reference Manual
Support of the iQ Sensor Solution function (data backup/restoration only) for AnyWireASLINK and CC-Link* ¹			
Latch clear by using the special relay and special register areas	"15042" or later	—	MELSEC-L CPU Module User's Manual (Function Explanation, Program Fundamentals)

Added function	Serial No. (first 5 digits) of CPU module	GX Works2 version	Reference
Support of the iQ Sensor Solution function (automatic detection of connected device, system configuration check, communication setting reflection, sensor parameter read/write, monitoring) for built-in Ethernet* ¹	"15043" or later	1.492N or later	<ul style="list-style-type: none"> MELSEC-L CPU Module User's Manual (Function Explanation, Program Fundamentals) iQ Sensor Solution Reference Manual
Support of the iQ Sensor Solution function (data backup/restoration only) for built-in Ethernet* ¹	"15072" or later	1.497T or later	iQ Sensor Solution Reference Manual
Predefined protocol function	"15102" or later	1.501X or later	MELSEC-L CPU Module User's Manual (Function Explanation, Program Fundamentals)
Serial communication function (RS-232 adapter, RS-422/485 adapter)* ¹			MELSEC-Q/L/QnA Programming Manual (SFC)
Operation mode setting at double block START (SFC)* ¹			
Increase in the number of steps (SFC)* ¹			
1K point setting for the step relay (S)		—	
Step comment readout instruction (S(P).SFCSCOMR), transition condition comment readout instruction (S(P).SFCTCOMR)* ¹			Page 353, Appendix 3
Online change (inactive blocks) (SFC)* ¹			
Storing MAC address in the special register, setting and storing IP address in the special register* ¹			
RS-422/485 adapter* ¹	1.501X or later	Page 87, CHAPTER 11	
Simple PLC communication function (for MELSEC-F series FX3)* ¹	"16042" or later	1.513K or later	MELSEC-L CPU Module User's Manual (Built-in Ethernet Function)
Pointer points extension compatibility for the Auto assignment device* ¹			<ul style="list-style-type: none"> MELSEC-L CPU Module User's Manual (Function Explanation, Program Fundamentals) MELSEC-L CPU Module User's Manual (Function Explanation, Program Fundamentals) iQ Sensor Solution Reference Manual
Support of the iQ Sensor Solution function (data backup/restoration only) for the CC-Link-AnyWireASLINK bridge module* ¹			
Realtime monitor function* ¹	"16072" or later	*3	<ul style="list-style-type: none"> MELSEC-L CPU Module User's Manual (Function Explanation, Program Fundamentals) GX LogViewer Version 1 Operating Manual
Support of the iQ Sensor Solution function (data backup/restoration only) for the CC-Link IE Field Network module* ¹		—	<ul style="list-style-type: none"> MELSEC-L CPU Module User's Manual (Function Explanation, Program Fundamentals) iQ Sensor Solution Reference Manual
LA1S extension base unit* ¹	"16112" or later	1.525X or later	MELSEC-L LA1S Extension Base Unit User's Manual
File transfer function (FTP client)* ¹			MELSEC-L CPU Module User's Manual (Built-in Ethernet Function)
E-mail send/receive function* ¹			

A

Appendix 6 Added and Changed Functions

Added function	Serial No. (first 5 digits) of CPU module	GX Works2 version	Reference
CC-Link IE Field Network Basic function* ¹	"18112" or later	1.555D or later	CC-Link IE Field Network Basic Reference Manual
SLMP frame send instruction* ¹		—	MELSEC-L CPU Module User's Manual (Built-In Ethernet Function)
Simple PLC communication function (for MELSEC iQ-R series and SLMP-compatible devices (QnA-compatible 3E frame))* ¹	"20042" or later	1.575Z or later	MELSEC-L CPU Module User's Manual (Built-In Ethernet Function)
Simple PLC communication function (for MELSEC iQ-F series)* ¹	"20102" or later	1.580E or later	MELSEC-L CPU Module User's Manual (Built-In Ethernet Function)

—: Function that is not related to serial No. or software version

- *1 Some models do not support these functions. For the availability, refer to the corresponding section or manual of each function.
- *2 For the versions of the intelligent function modules that support the function, refer to the manual for the intelligent function module used.
- *3 GX LogViewer with a software version of 1.37P or later is required.

Appendix 7 Applicable Software Versions

The following table shows applicable software versions used for a system configuration.

Software	Applicable software versions for each CPU module ^{*1}				
	L02CPU, L26CPU-BT	L02CPU-P, L26CPU-PBT	L02SCPU, L26CPU	L06CPU	L02SCPU, L06CPU-P, L26CPU-P
GX Works2	1.20W or later	1.62Q or later	1.98C or later	1.98C or later	1.492N or later
GX Developer	8.88S or later	Not supported	Not supported	Not supported	Not supported
GX Configurator-AD	2.11M or later				
GX Configurator-DA	2.11M or later				
GX Configurator-SC	2.21X or later				
GX Configurator-QP	2.34L or later				
GX Configurator-CT	1.29AF or later				

*1 The applicable software versions differ depending on an intelligent function module to be used.

Appendix 8 Specifications of L1MEM-2GBSD and L1MEM-4GBSD

This sections describes the specifications of the SD memory cards.

Item		L1MEM-2GBSD	L1MEM-4GBSD
Memory card type		SD	SDHC
Memory capacity		2G bytes	4G bytes
Number of writes		100000 times	
External dimensions	H	32mm	
	W	24mm	
	D	2.1mm	
Weight		2g	

For the handling of SD memory cards, refer to Page 98, CHAPTER 14.

Appendix 9 EMC and Low Voltage Directives

In each country, laws and regulations concerning electromagnetic compatibility (EMC) and electrical safety are enacted.

For the products sold in the European countries, compliance with the EU's EMC Directive has been a legal obligation as EMC regulation since 1996, as well as the EU's Low Voltage Directive as electrical safety regulation since 1997. Manufacturers who recognize their products are compliant with the EMC and Low Voltage Directives are required to attach a "CE marking" on their products in European countries.

In some other countries and regions, manufacturers are required to make their products compliant with applicable laws or regulations and attach a certification mark on the products as well (such as UK Conformity Assessed (UKCA) marking in the UK, and Korea Certification (KC) marking in South Korea).

Each country works to make their regulatory requirements consistent across countries based on international standards. When the requirements are consistent, measures to comply with the EMC and electrical safety regulations become common across countries.

The UK and South Korea have enacted EMC regulations whose requirements are consistent with those of the EMC Directive.

The UK has also enacted electrical safety regulations whose requirements are consistent with those of the Low Voltage Directive. In this section, the requirements of the EMC and Low Voltage Directives are described as examples of those of the EMC and electrical safety regulations.

Appendix 9.1 Measures to comply with the EMC Directive

The EMC Directive sets two requirements for compliance: emission (conducted and radiated electromagnetic energy emitted by a product) and immunity (the ability of a product to not be influenced by externally generated electromagnetic energy).

This section summarizes the precautions for machinery constructed with the MELSEC-L series modules to comply with the EMC Directive.

These precautions are based on the requirements of the EMC Directive and the harmonized standards. However, they do not guarantee that the entire machinery constructed according to the descriptions complies with the EMC Directive. The manufacturer of the machinery must determine the testing method for compliance and declare conformity to the EMC Directive.

(1) EMC Directive related standards

(a) Emission requirements

Standard	Test item	Test description	Value specified in standard
EN61131-2: 2007	CISPR16-2-3 Radiated emission*2	The electromagnetic wave which the product emits to the external space is measured.	<ul style="list-style-type: none"> • 30 to 230MHz, QP: 40dBμV/m (measured at 10m distance)*1 • 230 to 1000MHz, QP: 47dBμV/m (measured at 10m distance)
	CISPR16-2-1, CISPR16-1-2 Conducted emission*2	The noise level which the product emits to the power line is measured.	<ul style="list-style-type: none"> • 0.15 to 0.5MHz, QP: 79dB, Mean: 66dB*1 • 0.5 to 30MHz, QP: 73dB, Mean: 60dB

*1 QP: Quasi-Peak value, Mean: Average value

*2 Programmable controller is an open type device (a device designed to be housed in other equipment) and must be installed inside a conductive control panel. The tests were conducted with the programmable controller installed in a control panel, applying the maximum applicable input voltage to the power supply module.

(b) Immunity requirements

Standard	Test item	Test description	Value specified in standard
EN61131-2: 2007	EN61000-4-2 Electrostatic discharge immunity ^{*1}	An electrostatic discharge is applied to the enclosure of the equipment.	<ul style="list-style-type: none"> • 8kV Air discharge • 4kV Contact discharge
	EN61000-4-3 Radiated, radio-frequency, electromagnetic field immunity ^{*1}	An electric field is radiated to the product.	80% AM modulation @1kHz <ul style="list-style-type: none"> • 80M to 1000MHz: 10V/m • 1.4G to 2.0GHz: 3V/m • 2.0G to 2.7GHz: 1V/m
	EN61000-4-4 Fast transient burst immunity ^{*1}	Burst noise is applied to power lines and signal lines.	<ul style="list-style-type: none"> • AC/DC power, I/O power, and AC I/O (unshielded) lines: 2kV • DC I/O, analog, and communication lines: 1kV
	EN61000-4-5 Surge immunity ^{*1}	Lightning surge is applied to power lines and signal lines.	<ul style="list-style-type: none"> • AC power, AC I/O power, and AC I/O (unshielded) lines: 2kV CM, 1kV DM • DC power and DC I/O power lines: 0.5kV CM, 0.5kV DM • DC I/O, AC I/O (shielded), analog^{*2}, and communication lines: 1kV CM
	EN61000-4-6 Conducted RF immunity ^{*1}	High-frequency noise is applied to power lines and signal lines.	0.15 to 80MHz, 80% AM modulation @1kHz, 10Vrms
	EN61000-4-8 Power-frequency magnetic field immunity ^{*1}	The product is immersed in the magnetic field of an induction coil.	50/60Hz, 30A/m
	EN61000-4-11 Voltage dips and interruption immunity ^{*1}	Power voltage is momentarily interrupted.	<ul style="list-style-type: none"> • 0%, 0.5 period, starting at zero-crossing • 0%, 250/300 period (50/60Hz) • 40%, 10/12 period (50/60Hz) • 70%, 25/30 period (50/60Hz)

*1 Programmable controller is an open type device (a device designed to be housed in other equipment) and must be installed inside a conductive control panel. The tests were conducted with the programmable controller installed in a control panel.

*2 The accuracy of an analog-digital converter module may temporarily vary within $\pm 10\%$.

(2) Installation in a control panel

Programmable controller is an open type device and must be installed inside a control panel. *1

This ensures safety as well as effective shielding of programmable controller-emitted electromagnetic noise.

*1 Modules on the remote station in each network must be also installed inside the control panel. However, the waterproof type remote station can be installed outside the control panel.

(a) Control panel

- Use a conductive control panel.
- Mask off the area used for grounding when securing the top or bottom plate to the control panel using bolts.
- To ensure electrical contact between the inner plate and the control panel, mask off the bolt installation areas of an inner plate so that conductivity can be ensured in the largest possible area.
- Ground the control panel with a thick ground cable so that low impedance can be ensured even at high frequencies.
- Keep the diameter of the holes on the control panel to 10cm or less. If the diameter is larger than 10cm, electromagnetic wave may leak. In addition, because electromagnetic wave leaks through a clearance between the control panel and its door, reduce the clearance as much as possible. Use of EMI gaskets (sealing the clearance) can suppress undesired radiated emissions.

The tests were conducted by Mitsubishi Electric Corporation using a control panel having damping characteristics of 37dB (maximum) and 30dB (average) (measured at 3m distance, 30 to 300MHz).

(b) Wiring power cables

- Provide a ground point to the control panel near the power supply module. Ground the LG and FG terminals of the power supply module to the ground point with the thickest and shortest ground cable possible (30cm or shorter).

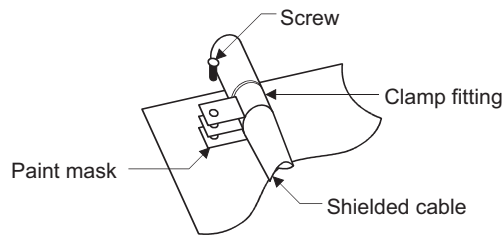
A

(3) Cables

Use a shielded cable for the cable connected to the I/O module and may be extended out of the control panel. If a shielded cable is not used or not grounded correctly, the noise immunity will not meet the required value.

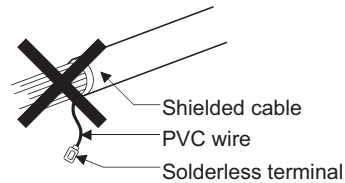
(a) Grounding a shielded cable

- Ground the shield of a shielded cable as close to the module as possible so that the grounded cable will not be affected by electromagnetic induction from ungrounded cables.
- Ground the exposed shield to large area on the control panel. A clamp fitting can be used as shown below. A clamp fitting can be used as shown below. In this case, apply a cover on the painted inner wall surface of the control panel, which comes in contact with the clamp.



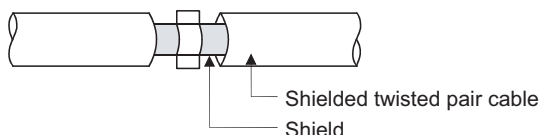
Point

Grounding with a vinyl-coated wire soldered onto the shield of the shielded cable as shown below is not recommended. Doing so will raise the high-frequency impedance, resulting in loss of the shielding effect.



(b) Grounding a twisted pair cable

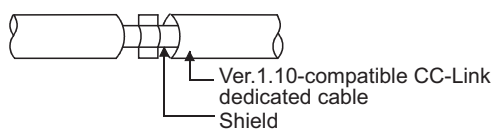
- Use a shielded twisted pair cable for connection to the 10BASE-T or 100BASE-TX connector. Strip a part of the jacket of the shielded twisted pair cable as shown below and ground the exposed shield to the ground as much as possible.



(c) Grounding a Ver.1.10-compatible CC-Link dedicated cable

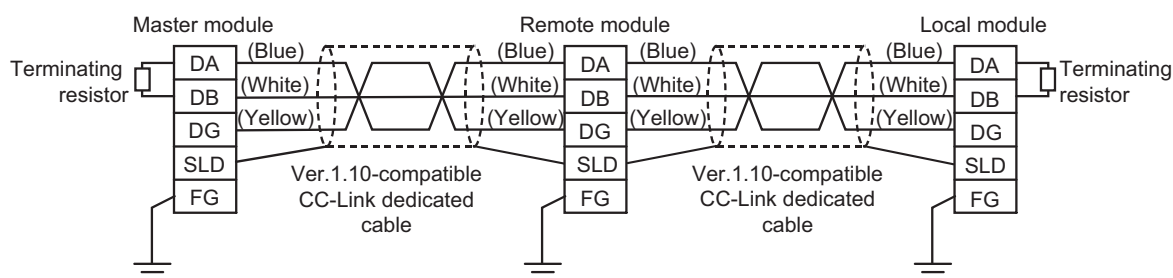
Ground the shield of a cable connected to the CC-Link module or any of the CC-Link stations which is the farthest from the input power inside the control panel within 30cm from the module or station.

Ver.1.10-compatible CC-Link dedicated cable is a shielded cable. Strip a part of the jacket of the cable as shown below and ground the exposed shield to the ground as much as possible.



Use the specified Ver.1.10-compatible CC-Link dedicated cable.

Use the FG terminals of the CC-Link module and CC-Link stations as shown below to connect to the FG line inside the control panel.

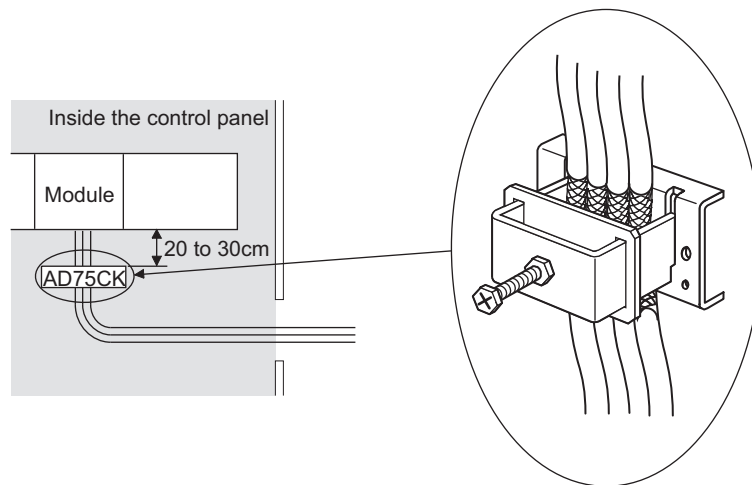


A

Appendix 9 EMC and Low Voltage Directives
Appendix 9.1 Measures to comply with the EMC Directive

(d) Grounding cables with a cable clamp

Use a shielded cable for external wiring and ground the shield of the shielded cable to the control panel with the AD75CK cable clamp (Mitsubishi). (Ground the shield within 20 to 30cm from the module.)



For details on the AD75CK, refer to the following.

 AD75CK-type Cable Clamping Instruction Manual

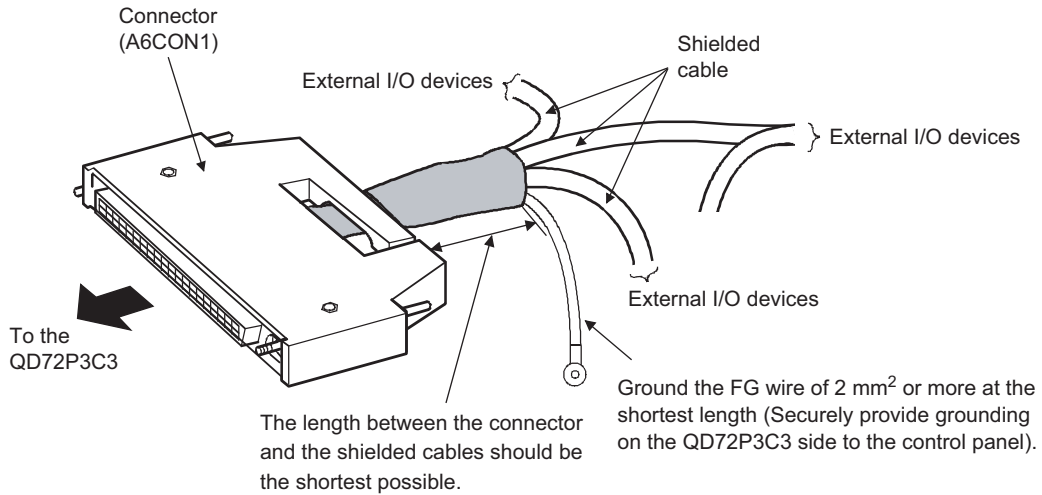
(e) Connectors for external devices

When using connectors for external devices with any of the following modules, take the noise reduction measures described below.

- CPU module
- High-speed counter module
- Positioning module

[Wiring example when using shielded cables]

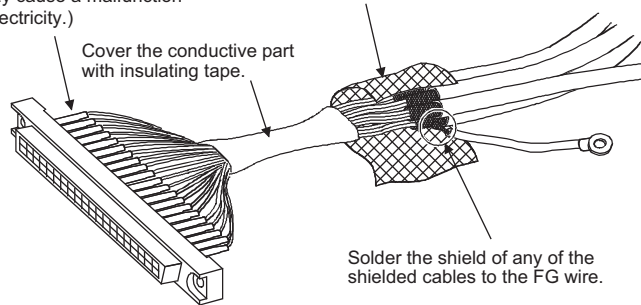
The following figure shows the example of wiring using A6CON1 for noise reduction.



[Example of processing for a shielded cable]

To protect the wires, cover the connector pins with the heat shrinkable insulation tubes. (Exposing the wires may cause a malfunction by the affect of static electricity.)

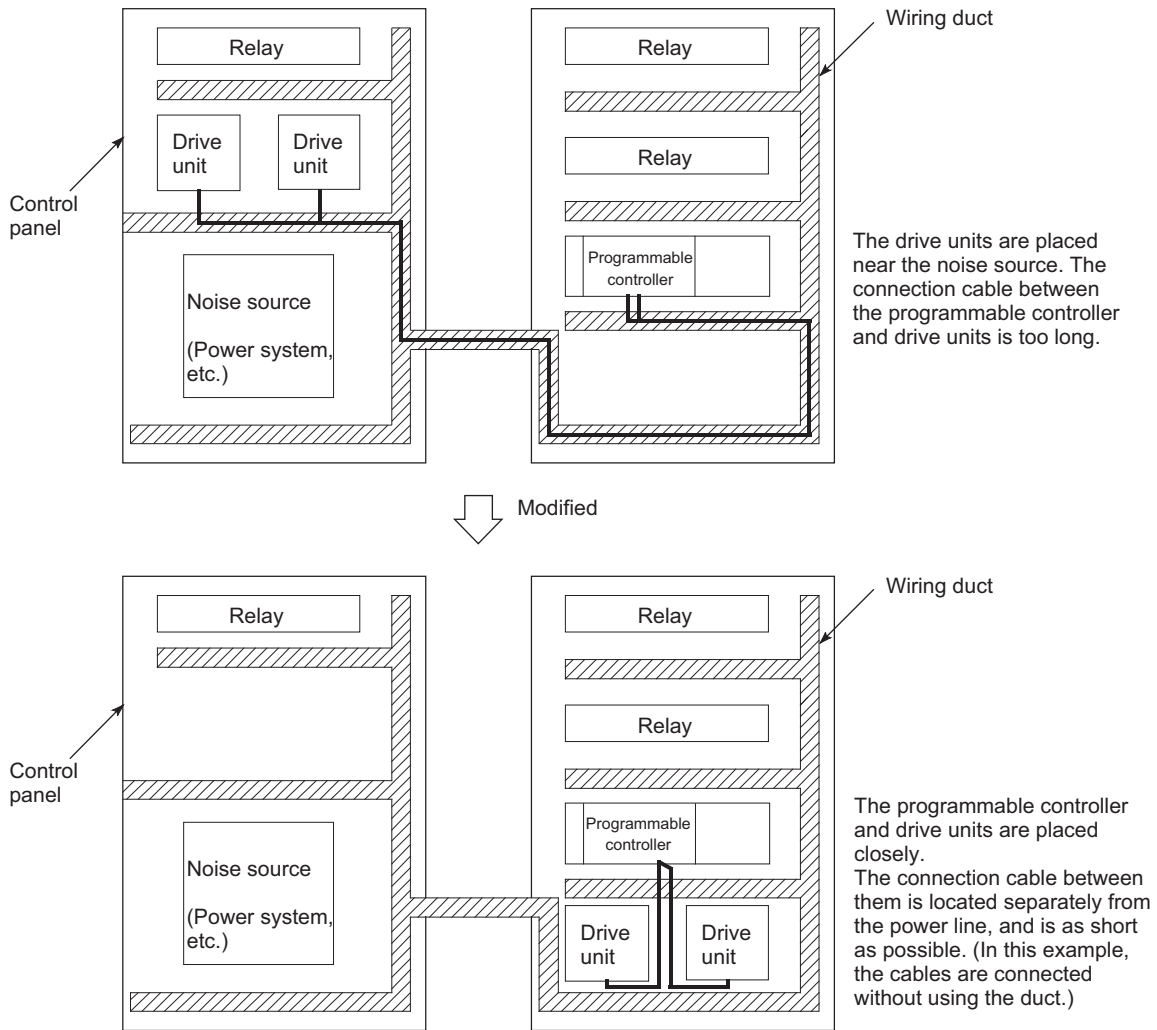
Take off the insulating tube of each shield and electrically connect the shields of the cables with conductive tapes.



A

Appendix 9 EMC and Low Voltage Directives
Appendix 9.1 Measures to comply with the EMC Directive

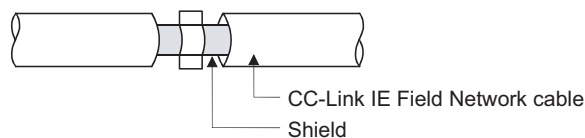
[Wiring example when using a duct (problematic example and modification example)]



(f) CC-Link IE Field Network cable

The precautions for using CC-Link IE Field Network cables are described below.

- For CC-Link IE Field Network module, use CC-Link IE Field Network cables (SC-E5EW-S□M, manufactured by Mitsubishi Electric System & Service Co., Ltd.).
- A CC-Link IE Field Network cable is a shielded cable. Remove a part of the shield as shown below and ground the largest possible exposed section to the ground.



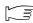
To ground the cables for external wiring, refer to Page 462, Appendix 9.1 (3) (d).

(g) I/O signal cables and other communication cables

As for the following, ground the shield of cables (in the same way as explained in Page 460, Appendix 9.1 (3) (a)) when it is extended out of the control panel.

- I/O signal cable (including common cable)
- RS-232 cable
- RS-422/485 cable

(h) Extension cables

Ground the shield of cables (in the same way as explained in  Page 460, Appendix 9.1 (3) (a)) when it is extended out of the control panel.

(i) Power cables for external power supply terminal

Use a reinforced or double insulated CE-marked external power supply as an external power supply for the following modules. Install the AC-DC power supply in the same control panel where the module is installed. Keep the length of the power cable connected to the external power supply terminal to 30m or less.

- Analog-digital converter module
- Digital-analog converter module
- Analog input/output module
- High-speed counter module
- Positioning module
- Temperature control module

(4) External power supply

Use a reinforced or double insulated CE-marked external power supply, and ground the FG terminal. (External power supply used for the tests conducted by Mitsubishi: TDK-Lambda DLP-120-24-1, IDEC PS5R-SF24)

(5) Power supply module

- Ground the LG and FG terminals after short-circuiting them.
- As an external power supply to supply 24VDC to the L63SP, use a CE-marked power supply with a reinforced insulation or a double insulation.

(6) SD memory card

The SD memory cards manufactured by Mitsubishi (NZ1MEM-□GBSD and L1MEM-□GBSD) conform to IEC 61131-2 when being used in the MELSEC-L series CPU module.

(7) CPU module (Positioning function)

To use the positioning function, the length of the cable to be connected to external devices must be as shown below.

- Positioning pulse output: 2m or less
- General-purpose output: 30m or less

(8) I/O module

- Install an external DC power connected to I/O modules inside the same control panel.
- Use a shielded cable for the DC power when it is extended out of the control panel.
- Keep the DC power cable length to 30m or less.
- Take a surge protective measure, such as installing a surge suppressor, if the relay switches more than four times per minute.

(9) High-speed counter module

- Install an external DC power connected to high-speed counter modules inside the same control panel.
- Use a shielded cable for the DC power when it is extended out of the control panel.
- Keep the length of cables connected to external devices to 30m or less.

(10) Positioning module

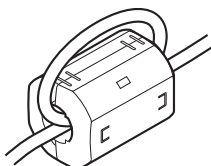
Install an external DC power connected to positioning modules inside the same control panel.

(11) Temperature control module

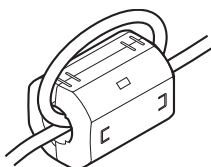
Install an external DC power connected to positioning modules inside the same control panel.

(12) CC-Link module

- To ground the Ver.1.10-compatible CC-Link dedicated cable, Page 461, Appendix 9.1 (3) (c).
- Each power line connecting to the external power supply terminal or module power supply terminal must be 30m or less.
- Install a noise filter to the external power supply. Use the noise filter having an attenuation characteristic, MA1206 (TDKLambda) or equivalent. Note that a noise filter is not required if the module is used in Zone A defined in EN61131-2.
- Keep the length of signal cables connected to the analog input terminals of the following modules to 30m or less. Wire cables connected to the external power supply and module power supply terminal in the control panel where the module is installed.
 - AJ65BT-64RD3
 - AJ65BT-64RD4
 - AJ65BT-68TD
- For the cable connected to the power supply terminal of the AJ65SBT-RPS, AJ65SBT-RPG or AJ65BT-68TD, attach a ferrite core with attenuation characteristic equivalent to that of the ZCAT3035-1330 from TDK Corporation. Twist the cable around the ferrite core by one as shown below.



- To supply the module power supply terminal of the AJ65BTB2-16R/16DR, AJ65SBTB2N-To supply the module power supply terminal of the AJ65BTB2-16R/16DR, AJ65SBTB2N-8A/8R/8S/16A/16R/16S with power using the AC/DC power supply, follow as shown below.
 - Install the AC/DC power supply in the control panel where the module is installed.
 - Use a reinforced or double insulated CE-marked AC/DC power supply, and ground the FG terminal. (The AC/DC power supply used for the tests conducted by Mitsubishi: TDK-Lambda Corporation: DLP-120-24-1)
 - For the cable connected to the AC input terminal and DC output terminals of the AC/DC power supply, attach a ferrite core. Twist the cable around the ferrite core by one as shown below. (Ferrite core used for the tests conducted by Mitsubishi: NEC TOKIN Corporation: ESD-SR-250)



(13)CC-Link/LT module

- Use the module under the installation environment of Zone A*¹. For the specified Zones of the following products, refer to the manual provided with each product:
 - CL1Y4-R1B1
 - CL1Y4-R1B2
 - CL1XY4-DR1B2
 - CL1XY8-DR1B2
 - CL1PSU-2A
- To supply the CL2DA2-B and CL2AD4-B with power using the CL1PAD1, keep the length of the power cable connected from the CL1PAD1 to the external power supply to 30m or less.

*1 Zone defines categories according to industrial environment, specified in the EMC and Low Voltage Directives, EN61131-2.

Zone C:	Factory mains (isolated from public mains by dedicated transformer)
Zone B:	Dedicated power distribution, secondary surge protection (rated voltage: 300V or less)
Zone A:	Local power distribution, protected from dedicated power distribution by AC/DC converter and insulation transformer (rated voltage: 120V or less)

(14)Other measures

(a) Ferrite core

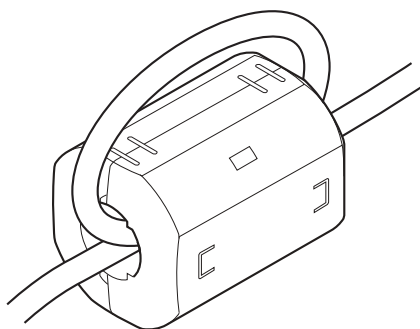
Ferrite core is effective for reducing radiated noise in the 30MHz to 100MHz frequency band.

It is recommended to install a ferrite core if a shield cable extended out of the control panel does not provide sufficient shielding effects.

Install a ferrite core to the cable in the position immediately before the cable is extended out of the control panel. If the installation position is not appropriate, the ferrite core will not produce any effect.

Install a ferrite core to each power cable as shown below. (Ferrite core used for the tests conducted by Mitsubishi: NEC TOKIN Corporation: ESD-SR-250)

Example



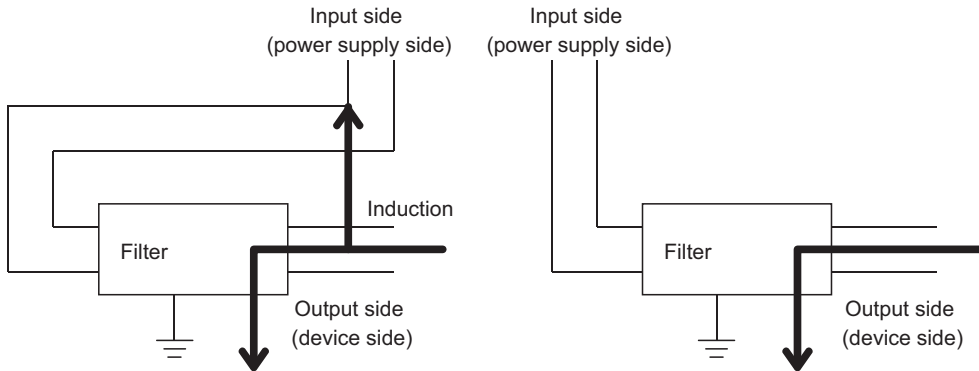
A

(b) Noise filter (power supply line filter)

Noise filter is effective for reducing conducted noise in the 10MHz or less frequency. (Use of a noise filter can suppress noise.)

The installation precautions are described below.

- Do not bundle the cables on the input side and output side of the noise filter. If bundled, the output side noise will be induced into the filtered cable on the input side.



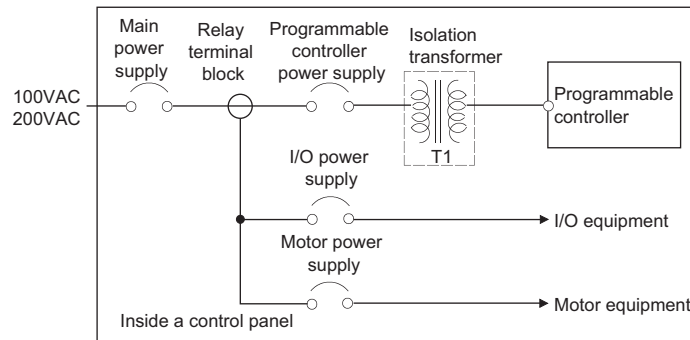
Noise will be induced when the input and output cables are bundled.

Separately install the input and output cables.

- Ground the ground terminal of the noise filter to the ground point of the control panel with the shortest ground wire possible (approximately 10cm).

(c) Insulation transformer

Isolation transformer is effective for reducing conducted noise (especially, lightning surge). Lightning surge may cause malfunction of the programmable controller. As measures against lightning surge, connect an isolation transformer as shown below. Use of an isolation transformer can reduce an impact from lightning.



Appendix 9.2 Measures to comply with the Low Voltage Directive

The Low Voltage Directive requires electrical equipment that is designed or adapted for use between 50 to 1000VAC or 75 to 1500VDC to satisfy the safety requirements.

This section summarizes the precautions for use of the MELSEC-L series modules to comply with the Low Voltage Directive.

These precautions are based on the requirements of the Low Voltage Directive and the harmonized standards. However, they do not guarantee that the entire machinery constructed according to the descriptions complies with the Low Voltage Directive. The manufacture of the machinery must determine the testing method for compliance and declare conformity to the Low Voltage Directive.

(1) Standard applied to MELSEC-L series modules

- EN61010-1 "Safety requirements for electrical equipment for measurement, control and laboratory use"

The MELSEC-L series modules which operate at 50VAC/75VDC or higher rated input voltage are developed in accordance with EN61010-1.

However, the modules which operate at less than 50VAC/75VDC rated input voltage are not targeted for the Low Voltage Directive compliance.

(2) Precautions when selecting MELSEC-L series products

(a) Power supply module

Power supply modules which operate at 100VAC or 200VAC rated input voltage internally have hazardous voltage (peak voltage higher than or equal to 42.4V). Therefore, insulation between the primary and secondary circuits is reinforced for CE-marked power supply modules.

(b) I/O modules

I/O modules which operate at 100VAC or 200VAC rated input voltage internally have hazardous voltage (peak voltage higher than or equal to 42.4V). Therefore, insulation between the primary and secondary circuits is reinforced for CE-marked I/O modules.

I/O modules which operate at 24VDC or less rated input voltage are not targeted for the Low Voltage Directive compliance.

(c) GOT

Use a CE-marked GOT.

(d) Products not subject to the Low Voltage Directive

The following modules are not targeted for the Low Voltage Directive compliance because the circuits in the modules operate at the voltage of 5VDC or less.

- CPU module (including built-in I/O part)
- SD memory card
- Display unit
- RS-232 adapter
- RS-422/485 adapter
- End cover

Intelligent function modules are also not targeted for the Low Voltage Directive compliance because the rated voltage of the modules is 24VDC or less.

(3) Power supply

Power supply modules are designed to meet the overvoltage category II.

Confirm that the power supply to a programmable controller meets the overvoltage category II.

(4) Control panel

(a) Protection against electric shock

The control panel must be handled as shown below to protect a person who does not have adequate knowledge of electrical installation from an electric shock.

- Lock the control panel so that only a person who is trained and has acquired enough knowledge of electrical installation can open the panel.
- Design the control panel so that the power supply is automatically shut off when the panel is opened.
- Use the control panel whose protection degree is IP20 or higher for the purpose of electric shock protection.

(b) Protection from dust and water

The control panel needs to be dustproof and waterproof.

Insufficient dustproof and waterproof lower the dielectric withstand of the control panel, possibly causing dielectric breakdown.

The insulation of Mitsubishi programmable controllers is designed to be used in a pollution degree 2 environment. Use them in an environment of pollution degree 2 or below. The pollution degree 2 environment can be achieved when the programmable controller is installed inside the control panel whose protection degree is IP54 or equivalent.

(5) External wiring

(a) 24VDC external power supply

For the 24VDC I/O modules or the intelligent function modules requiring an external power supply, connect an external power supply of which insulation between the 24VDC circuit section and the hazardous voltage circuit section is reinforced.

(b) External devices

For the external devices connected to the programmable controller, use the one of which insulation between the interface circuit section to the programmable controller and the hazardous voltage circuit section is reinforced (if the device internally has a hazardous voltage circuit section).

(c) Reinforced insulation

Reinforced insulation means an insulation having the following withstand voltage.

Rated voltage of hazardous voltage	Surge withstand voltage (1.2/50 μ s)
150VAC or less	2500V
300VAC or less	4000V

(Overvoltage category II, source: IEC 664)

Appendix 10 General Safety Requirements

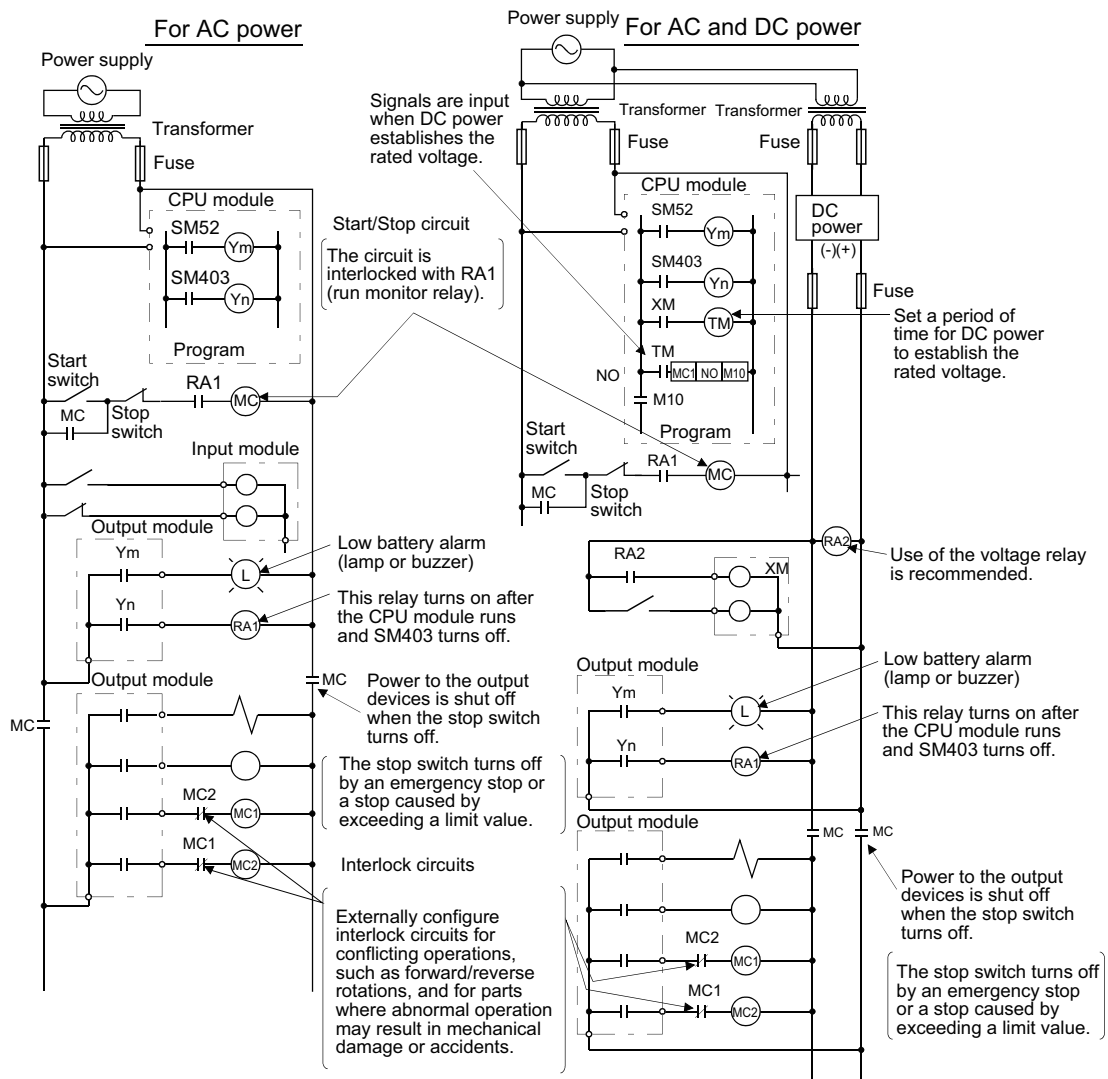
When a programmable controller is powered on or off, normal control outputs may not be performed temporarily. This is because there is a time lag for the power to be turned on between the programmable controller power supply and the external power supply (especially, DC) for the control target.

Normal control outputs also may not be performed when the external power supply or the programmable controller fails.

In terms of fail-safe and to prevent any of these abnormal operations from leading to the entire system failure, configure safety circuits (such as emergency stop circuits, protection circuits, and interlock circuits) external to the programmable controller for the parts where the incorrect output may cause damage to the machines or accidents. This section describes a system design circuit example, considering the points explained above.

(1) System design circuit example

(a) Without END cover with ERR terminal



A

Appendix 10 General Safety Requirements

The power-on procedure is as follows:

- For AC power

[1] Power on the programmable controller.

[2] Set the CPU module to RUN.

[3] Turn on the start switch.

[4] When the electromagnetic contactor (MC) turns on, the output devices will be activated by the program.

- For AC and DC power

[1] Power on the programmable controller.

[2] Set the CPU module to RUN.

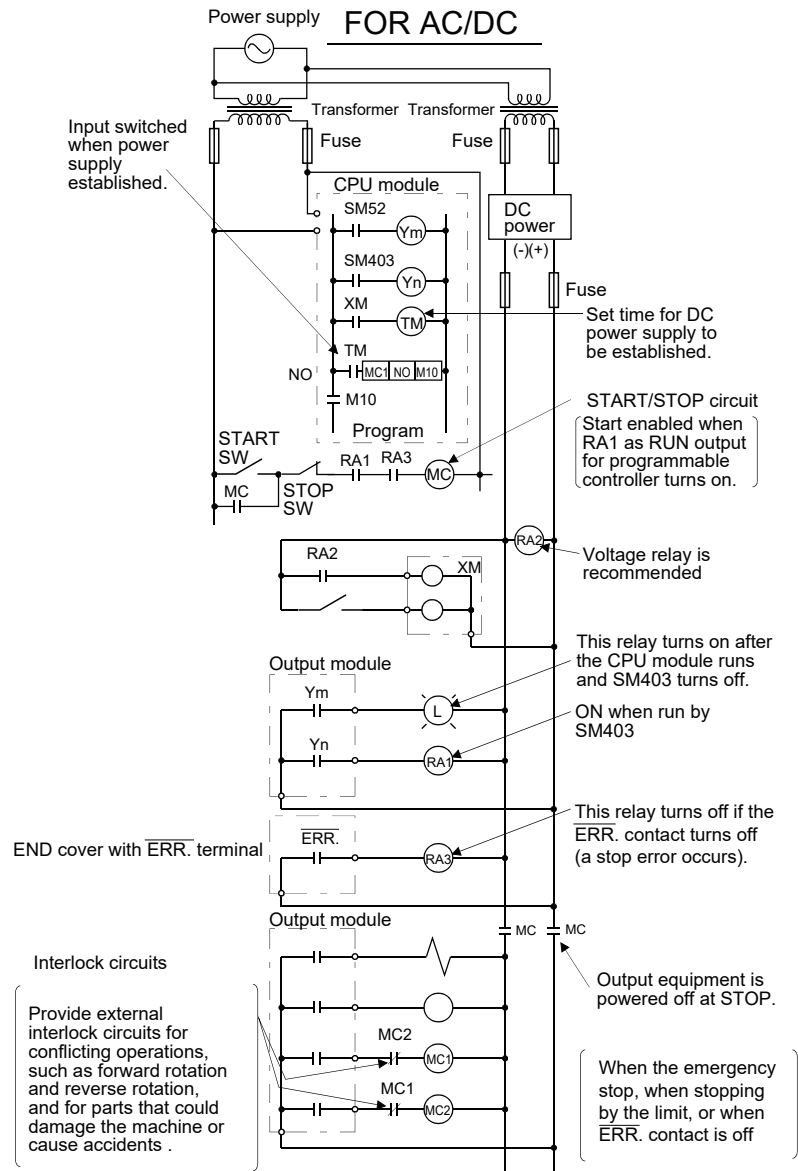
[3] RA2 turns on when DC power is on.

[4] Timer (TM) turns on when DC power establishes the rated voltage. (The timer value is the period of time from when RA2 turns on to when DC power establishes the rated voltage. Set this value to 0.5 seconds.)

[5] Turn on the start switch.

[6] When the electromagnetic contactor (MC) turns on, the output devices will be activated by the program. (If a voltage relay is used at RA2, no timer (TM) is required in the program.)

(b) With END cover with ERR. terminal



The power-on procedure is as follows:

- For AC and DC power

- [1] Power on the programmable controller.
- [2] Set the CPU module to RUN.
- [3] RA2 turns on when DC power is on.
- [4] Timer (TM) turns on when DC power establishes the rated voltage. (The timer value is the period of time from when RA2 turns on to when DC power establishes the rated voltage. Set this value to 0.5 seconds.)
- [5] Turn on the start switch.
- [6] When the electromagnetic contactor (MC) turns on, the output devices will be activated by the program. (If a voltage relay is used at RA2, no timer (TM) is required in the program.)

A

Appendix 10 General Safety Requirements

(2) Fail-safe measures for CPU module failure

A CPU module can detect hardware failures of the CPU module itself and of the SD memory card by the self-diagnostic function. However, failures which occur in a part, such as an I/O control part, may not be detected. In this case, depending on the failure, all input or output points may turn on or off, or normal operation and safety of the control-target device may not be ensured.

Even though Mitsubishi programmable controllers are manufactured under strict quality control, they may fail due to some reasons. Provide fail-safe circuits external to the programmable controller so that no machine is damaged and no accident occurs.

Appendix 11 Calculating Heating Value of Programmable Controller

The ambient temperature inside the control panel where a programmable controller is installed must be 55°C or less. It is necessary to know the average power consumption (heating value) of the equipment and devices installed inside the control panel when designing a heat release structure of the panel.

This section describes the calculation method of the average power consumption of a programmable controller system.

Calculate a rise in ambient temperature inside the control panel according to the power consumption.

Appendix 11.1 Calculating the average power consumption

The total of the power consumption calculated for each block is the power consumption of the entire programmable controller system.

$$W = W_{PW} + W_{5V} + W_{24V} + W_{OUT} + W_{IN} + W_S \text{ (W)}$$

Calculate a heating value and a rise in ambient temperature inside the control panel according to the calculated power consumption (W).

The calculation formula for a rise in ambient temperature inside the control panel is as follows.

$$T = \frac{W}{UA} \text{ [}^\circ\text{C]}$$

W: Power consumption of the entire programmable controller system

A: Surface area inside the control panel [m²]

U (= 6): When the ambient temperature inside the control panel is uniformed using a fan

U (= 4): When the air inside the control panel is not circulated

Point

- If the temperature inside the control panel is expected to exceed the specified range, it is recommended to install a heat exchanger to the panel to lower the temperature.
 - If a general-purpose fan is used, dust will be sucked into the control panel with the external air. This may affect the performance of the programmable controller.
-

The calculation formulas for the power consumption of each block are as follows.

(1) Power consumption of power supply module

The power conversion efficiency of the power supply module is approximately 70% and 30% of the output power is consumed as heat. As a result, 3/7 of the output power will be the power consumption.

The calculation formula is as follows.

$$W_{PW} = \frac{3}{7} \times \{ (I_{5V} \times 5) + (I_{24V} \times 24) \} (W)$$

I_{5V} : Current consumption of 5VDC circuit of each module

I_{24V} : Average current consumption of 24VDC power supply for internal consumption of the output module (power consumption for the output points simultaneously turned on)*1

*1 Not applicable for the power supply module which does not have the 24VDC power output. (Power (24VDC) is externally supplied.)

(2) Power consumption of 5VDC logic circuit sections in all modules (including the CPU module)

The power consumption of the 5VDC output circuit in the power supply module is the power consumption of each module.

$$W_{5V} = I_{5V} \times 5 (W)$$

(3) Total of 24VDC average power consumption of the output modules (power consumption for the output points simultaneously turned on)

The average power of the 24VDC external power supply is the total power consumption of each module.

$$W_{24V} = I_{24V} \times 24 \times \text{Simultaneous on rate} (W)$$

(4) Voltage drop in the output section of the output module (power consumption for the output points simultaneously turned on)

$$W_{OUT} = I_{OUT} \times V_{drop} \times \text{Output points} \times \text{Simultaneous on rate} (W)$$

I_{OUT} : Output current (current in actual use) (A)

V_{drop} : Voltage drop of each output module (V)

(5) Average power consumption of input section in the input module (power consumption for the input points simultaneously turned on)

$$W_{IN} = I_{IN} \times E \times \text{Input points} \times \text{Simultaneous on rate} (W)$$

I_{IN} : Input current (effective value for AC) (A)

E: Input voltage (voltage in actual use) (V)

(6) Power consumption of the external power supply section to the load(s) connected to the intelligent function module

$$W_S = I_{24V} \times 24 (W)$$

Appendix 12 Precautions for Battery Transportation

When transporting lithium batteries, follow the transportation regulations.

(1) Regulated models

The batteries for the CPU module are classified as shown below.

Product name	Model	Supply status	Classification for transportation
Battery	Q7BATN, Q7BAT	Lithium battery	Dangerous goods
	Q7BATN-SET, Q7BAT-SET	Lithium battery with holder	
	Q6BAT	Lithium battery	

(2) Transport guidelines

Products are packed in compliance with the transportation regulations prior to shipment. When repacking any of the unpacked products for transportation, make sure to observe the IATA Dangerous Goods Regulations, IMDG (International Maritime Dangerous Goods) Code, and other local transportation regulations.

For details, consult with the shipping carrier.

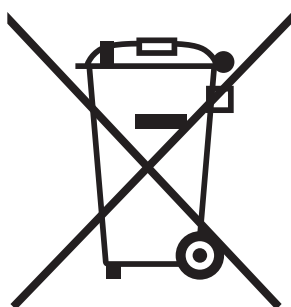
Appendix 13 Handling of Batteries and Devices with Built-In Batteries in EU Member States

This section describes the precautions for disposing of waste batteries in EU member states and exporting batteries and/or devices with built-in batteries to EU member states.

(1) Disposal precautions

In EU member states, there is a separate collection system for waste batteries. Dispose of batteries properly at the local community waste collection/recycling center.

The symbol shown below is printed on the batteries and packaging of batteries and devices with built-in batteries used for Mitsubishi Electric programmable controllers.*1



*1 This symbol is for EU member states only. The symbol is specified in the new EU Battery Directive (2006/66/EC) Article 20 "Information for end-users" and Annex II.

The symbol indicates that batteries need to be disposed of separately from other wastes.

(2) Exportation precautions

The new EU Battery Directive (2006/66/EC) requires the following when marketing or exporting batteries and/or devices with built-in batteries to EU member states.

- To print the symbol on batteries, devices, or their packaging
- To explain the symbol in the manuals of the products

(a) Labelling

To market or export batteries and/or devices with built-in batteries, which have no symbol, to EU member states on September 26, 2008 or later, print the symbol shown in (1) on the batteries, devices, or their packaging.

(b) Explaining the symbol in the manuals

To export devices incorporating Mitsubishi programmable controller to EU member states on September 26, 2008 or later, provide the latest manuals that include the explanation of the symbol.

If no Mitsubishi manuals or any old manuals without the explanation of the symbol are provided, separately attach an explanatory note regarding the symbol to each manual of the devices.

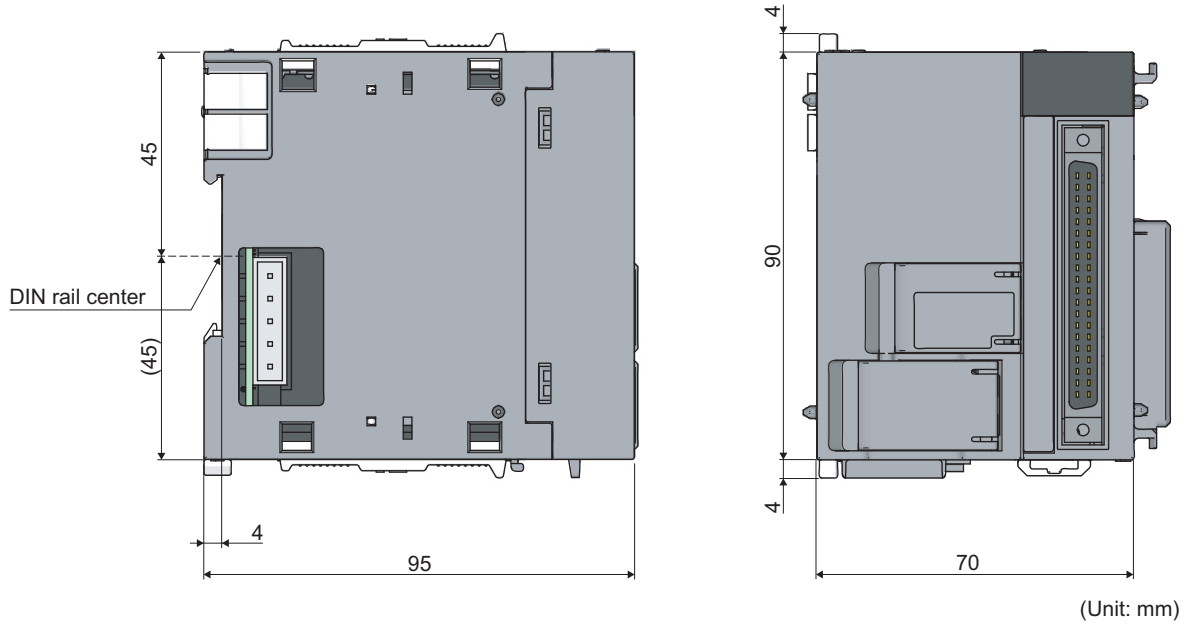


The requirements apply to batteries and/or devices with built-in batteries manufactured before the enforcement date of the new EU Battery Directive(2006/66/EC).

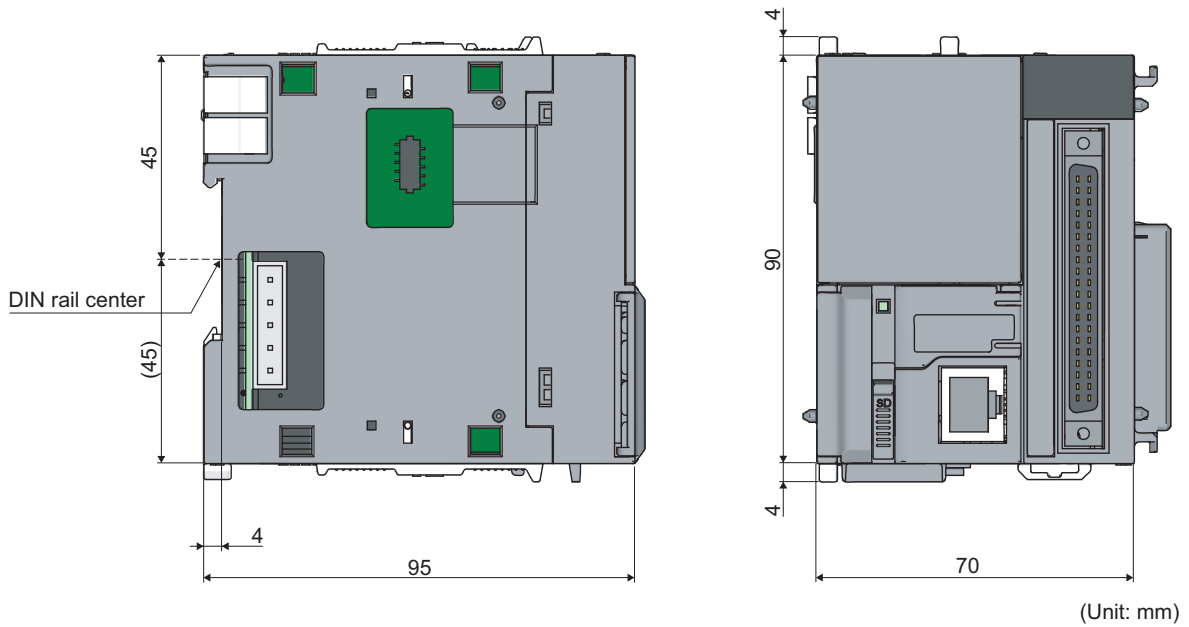
Appendix 14 External Dimensions

Appendix 14.1 CPU module

(1) L02SCPU, L02SCPU-P



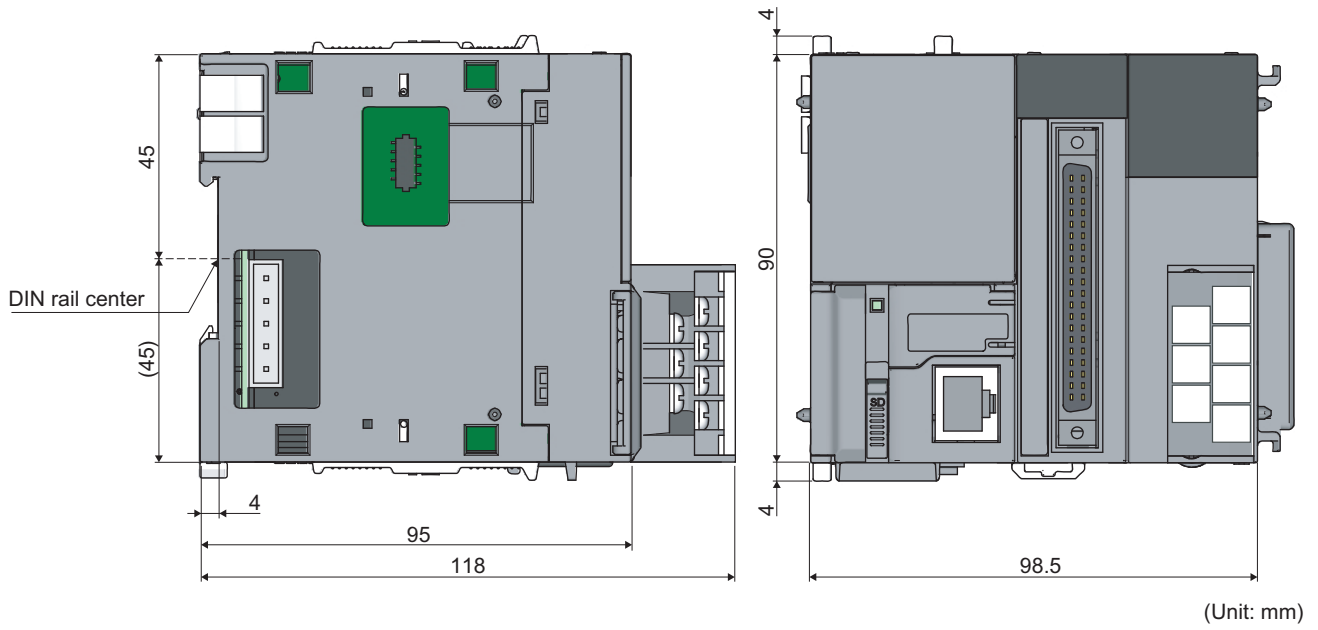
(2) L02CPU, L02CPU-P, L06CPU, L06CPU-P, L26CPU, L26CPU-P



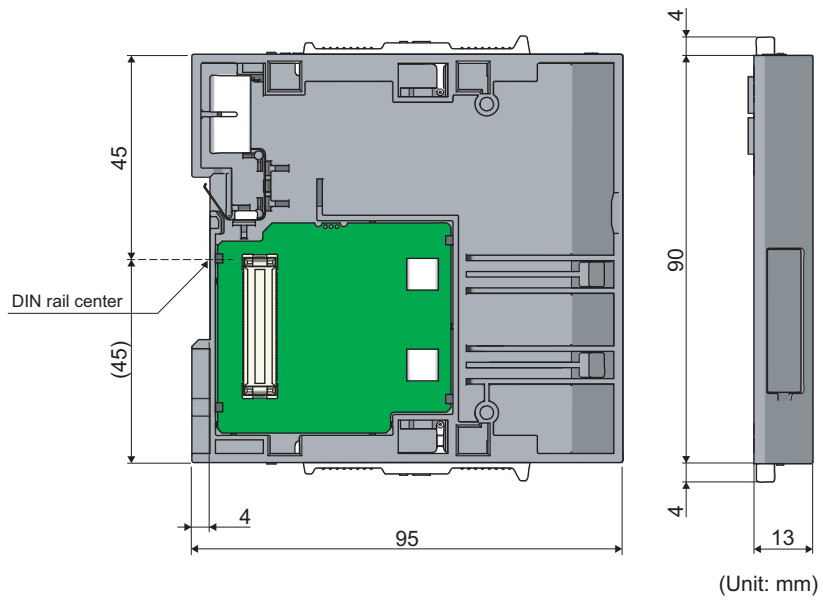
A

Appendix 14 External Dimensions
Appendix 14.1 CPU module

(3) L26CPU-BT, L26CPU-PBT

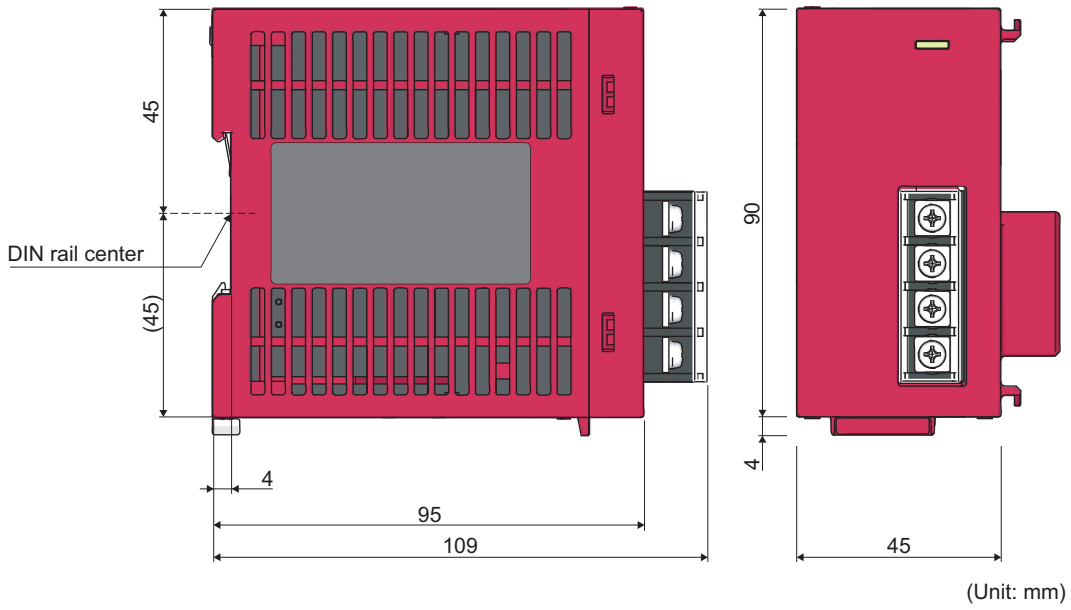


(4) END cover (L6EC)

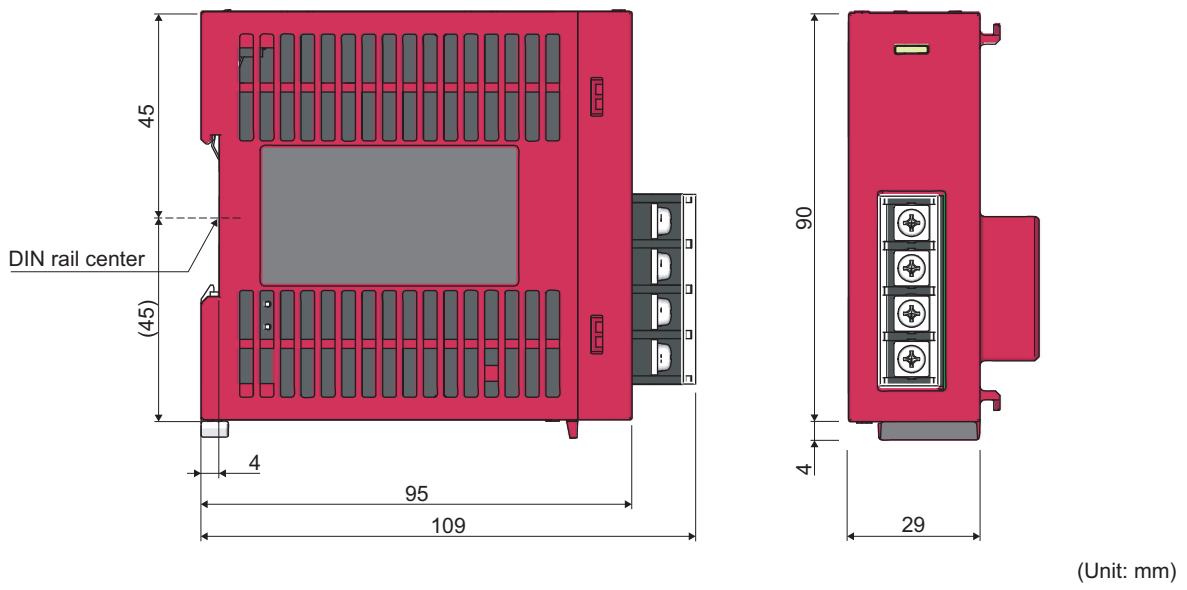


Appendix 14.2 Power supply module

(1) L61P, L63P



(2) L63SP

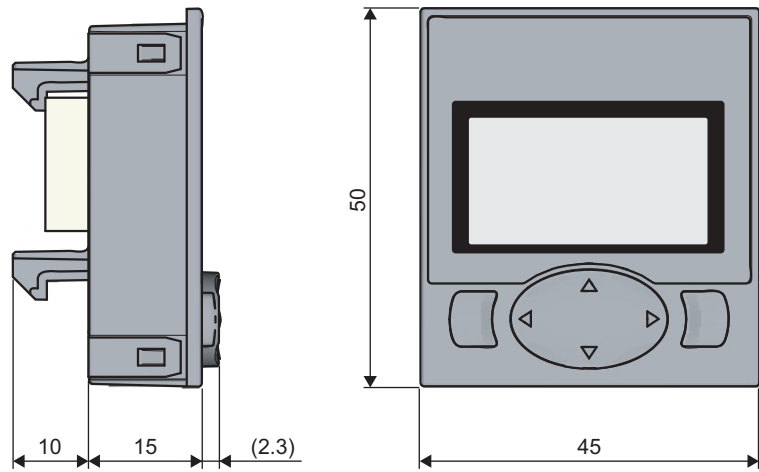


A

Appendix 14 External Dimensions
Appendix 14.2 Power supply module

Appendix 14.3 Display unit

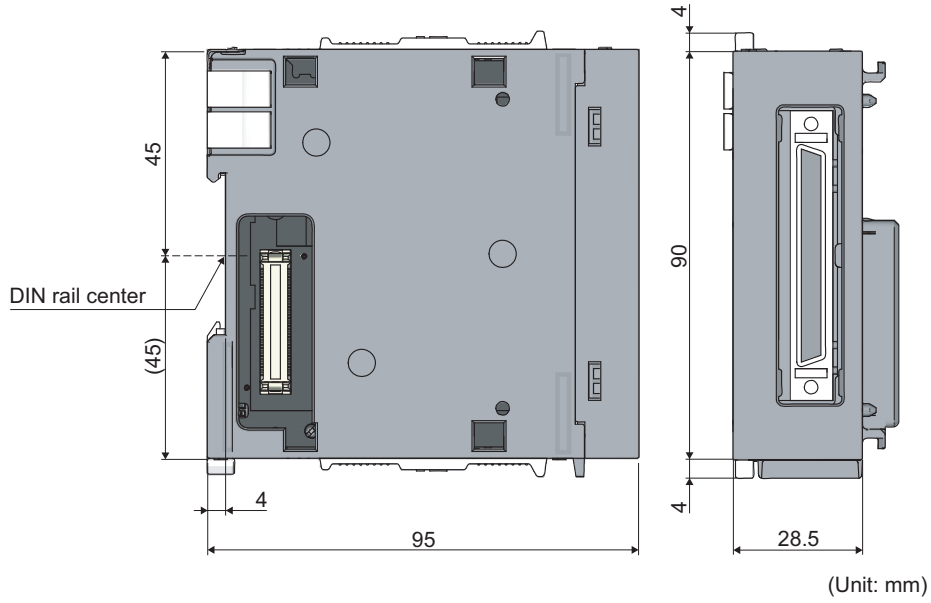
(1) L6DSPU



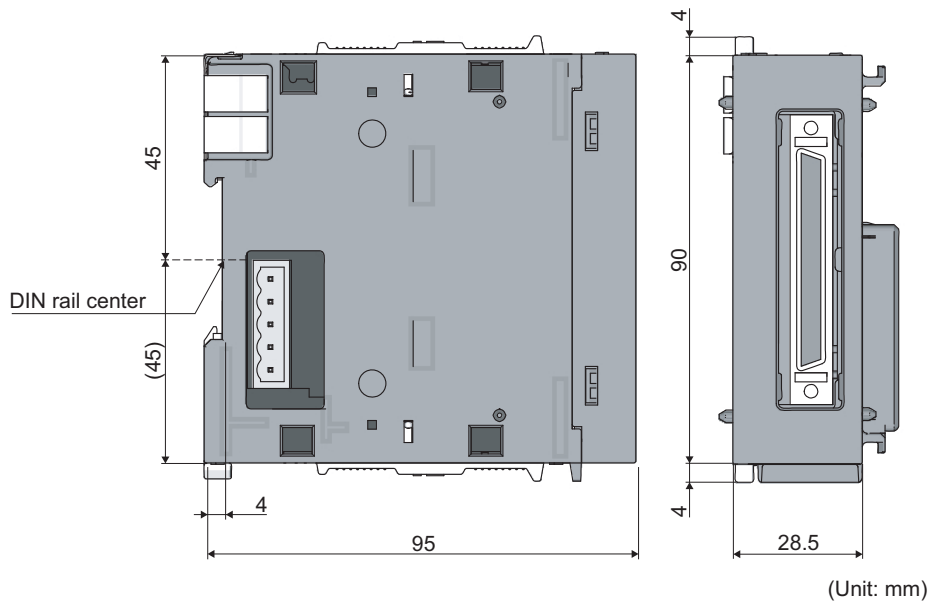
(Unit: mm)

Appendix 14.4 Branch module and extension module

(1) Branch module (L6EXB)



(2) Extension module (L6EXE)

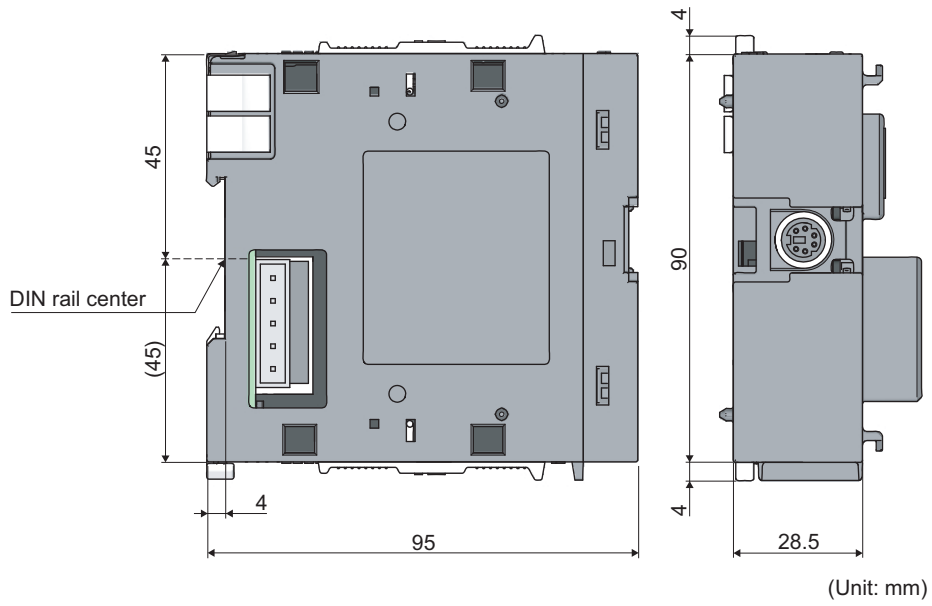


A

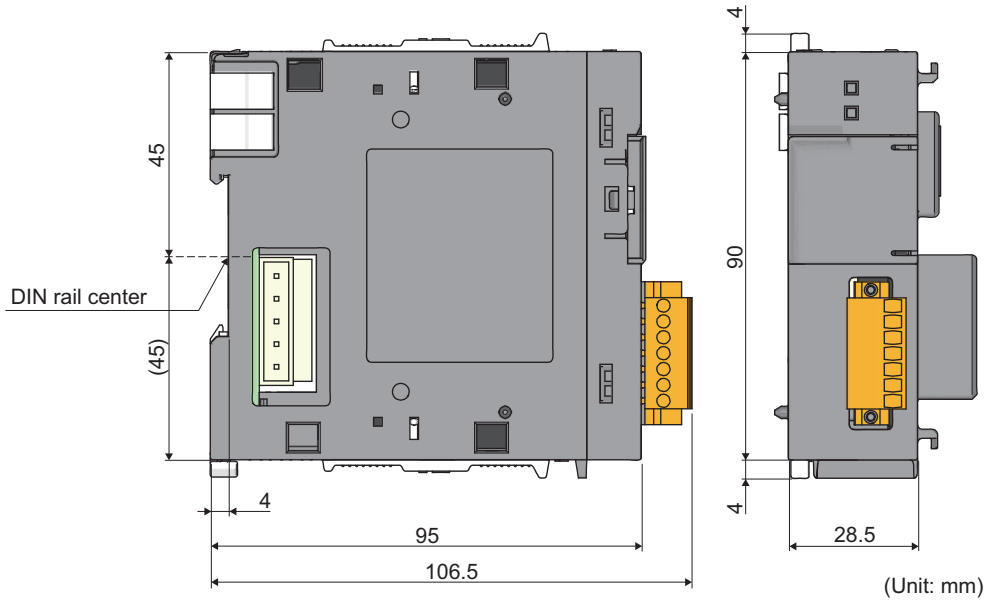
Appendix 14 External Dimensions
Appendix 14.4 Branch module and extension module

Appendix 14.5 Other optional items

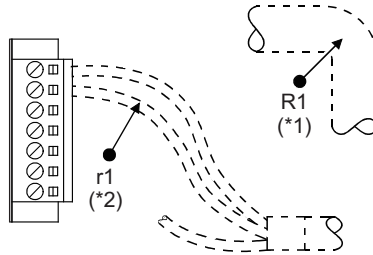
(1) RS-232 adapter (L6ADP-R2)



(2) RS-422/485 adapter (L6ADP-R4)



The cable bending radius is shown below.



- *1 R1 (bending radius around the pluggable terminal block): cable outer diameter × 4
- *2 r1 (bending radius around wire connection): connectable as long as the cable is not bent extremely.

(3) END cover (L6EC)

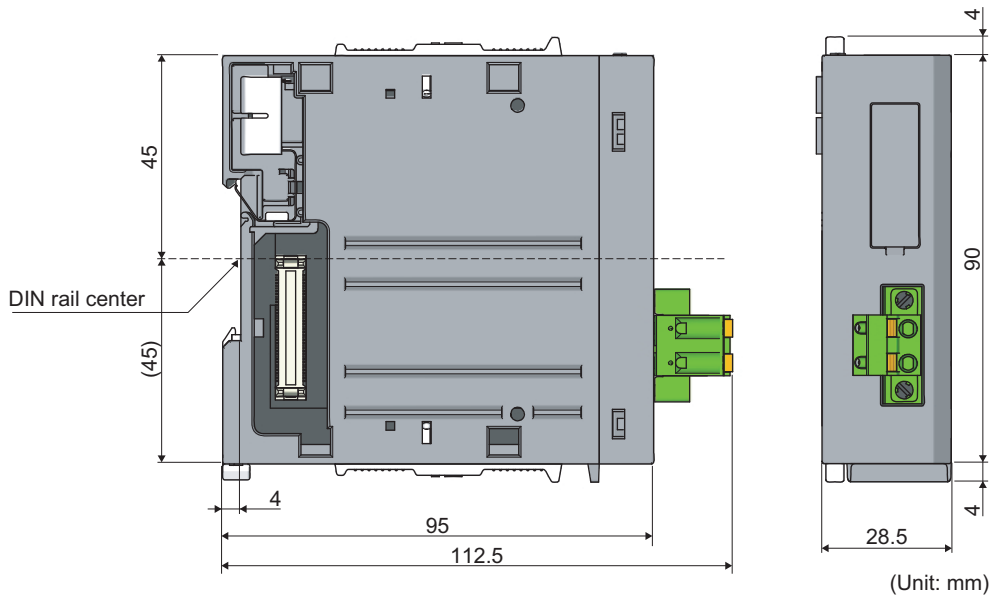
Refer to the following.

☞ Page 480, Appendix 14.1 (4)

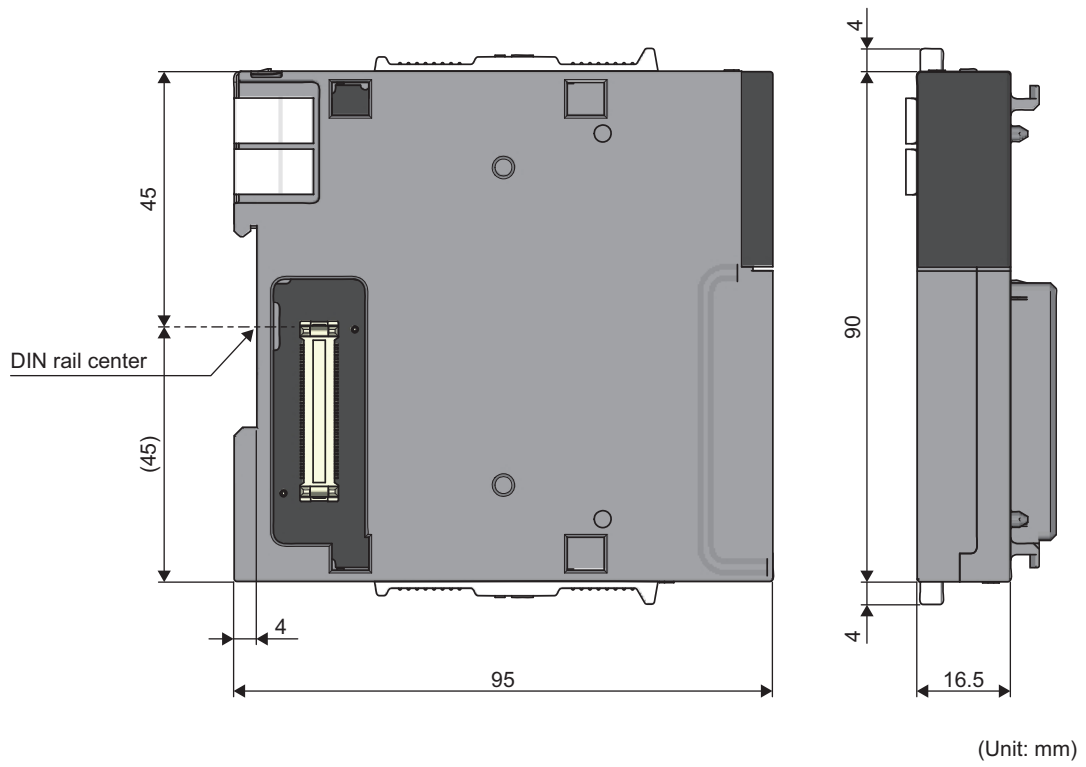
A

Appendix 14 External Dimensions
Appendix 14.5 Other optional items

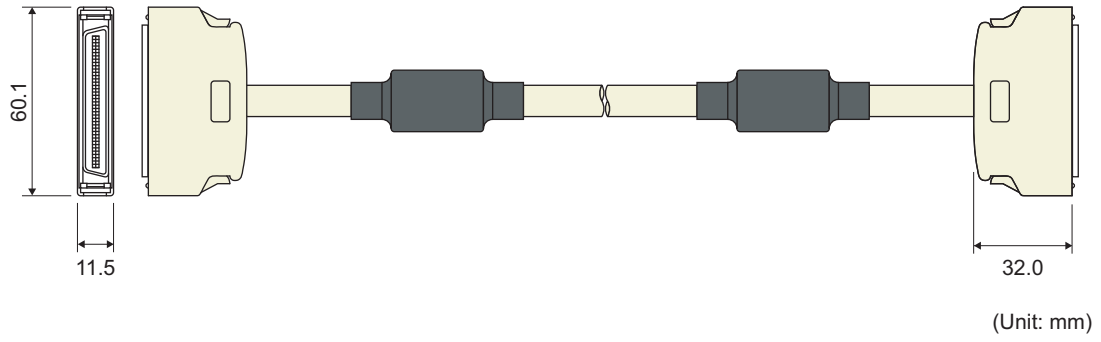
(4) END cover with ERR terminal (L6EC-ET)



(5) Space module (LG69)



(6) Extension cable (LC06E, LC10E, LC30E)



A

Appendix 14 External Dimensions
Appendix 14.5 Other optional items

Memo

INDEX

A

Allowable momentary power failure time 79

B

Battery consumption value 446
Battery replacement 107

C

Cable clamp 462
Calculating heating value 475
CE mark 457
Changing modules 37
Connecting modules 32
CPU module
 Device specifications 72
 Hardware specifications 70

E

EMC Directive 457
Emission 457

F

Fail-safe circuit 471
Ferrite core 467
Function version 450

I

Immunity 458
Inrush current 79
Installation environment 30
Insulation transformer 468
Intelligent function module 17

L

Low Voltage Directive 469

M

MC protocol 17

N

New EU Battery Directive 478
Noise filter 468
Number of connectable modules 23

O

Overcurrent protection 79
Overvoltage protection 79

R

Reinforced insulation 470
Reset operation 76

S

Saving data 148
Serial number 450

W

Wiring
 Grounding 61
 Wiring precautions 44
 Wiring to an 18-point screw terminal block 48
 Wiring to connectors 50
 Wiring to power supply modules 45

Memo

REVISIONS

*The manual number is given on the bottom left of the back cover.

Print date	*Manual number	Revision
January 2010	SH(NA)-080890ENG-A	First edition
April 2010	SH(NA)-080890ENG-B	Descriptions regarding the L6EC-ET is added.
November 2010	SH(NA)-080890ENG-C	Addition of descriptions of EN61131-2:2007
January 2011	SH(NA)-080890ENG-D	Addition of descriptions of the data logging file transfer function
April 2011	SH(NA)-080890ENG-E	Addition of descriptions of CC-Link IE Field
July 2011	SH(NA)-080890ENG-F	Descriptions regarding the L02CPU-P and L26CPU-PBT are added.
September 2011	SH(NA)-080890ENG-G	Descriptions regarding the L6EXB, L6EXE, LC06E, LC10E, and LC30E are added.
October 2011	SH(NA)-080890ENG-H	Descriptions regarding new functions are added.
May 2012	SH(NA)-080890ENG-I	Descriptions regarding new functions are added.
August 2012	SH(NA)-080890ENG-J	Descriptions regarding new functions are added.
December 2012	SH(NA)-080890ENG-K	Descriptions regarding the L02SCPU, L06CPU and L26CPU are added.
April 2013	SH(NA)-080890ENG-L	Descriptions regarding the L02SCPU-P, L06CPU-P, and L26CPU-P are added
July 2013	SH(NA)-080890ENG-M	Descriptions regarding the L63SP is added.
October 2013	SH(NA)-080890ENG-N	Descriptions of iQ Sensor Solution related error codes, special relay areas, and special register areas are added and corrected.
January 2014	SH(NA)-080890ENG-O	Descriptions regarding new functions are added.
June 2014	SH(NA)-080890ENG-P	Descriptions regarding new functions are added. Descriptions regarding the LG69 is added.
October 2014	SH(NA)-080890ENG-Q	Descriptions regarding new functions are added.
December 2014	SH(NA)-080890ENG-R	Descriptions regarding new functions are added.
January 2015	SH(NA)-080890ENG-S	Descriptions regarding the NZ1MEM-2GBSD, NZ1MEM-4GBSD, NZ1MEM-8GBSD, and NZ1MEM-16GBSD are added.
March 2015	SH(NA)-080890ENG-T	Descriptions regarding new functions are added.
October 2015	SH(NA)-080890ENG-U	[Partial correction] Section 4.2.2, App 1.4, 1.11, 2, 3
July 2016	SH(NA)-080890ENG-V	[Partial correction] RELEVANT MANUALS, Section 11.1, 13.1, 16.4, Appendix 1.5, 1.11, 2, 3, 9.1
October 2016	SH(NA)-080890ENG-W	[Partial correction] Appendix 1.4, 1.11, 3, 6, 9, 9.1
January 2017	SH(NA)-080890ENG-X	[Partial correction] RELEVANT MANUALS, Section 17.3, Appendix 1.1, 1.4, 1.5, 1.11, 2, 3, 6
August 2017	SH(NA)-080890ENG-Y	[Partial correction] Appendix 1.5, 2, 3
September 2017	SH(NA)-080890ENG-Z	[Partial correction] Section 15.1, Appendix 3
June 2018	SH(NA)-080890ENG-AA	[Partial correction] Appendix 1.6, 1.11, 2, 6
December 2018	SH(NA)-080890ENG-AB	[Partial correction] Appendix 6
April 2019	SH(NA)-080890ENG-AC	[Partial correction] SAFETY PRECAUTIONS, TERMS, Section 4.1.1, 4.2.1, 4.3.1, 8.2, 15.1, 16.3, Appendix 4.1, 10, 12, 13 [Added part] GENERIC TERMS AND ABBREVIATIONS
July 2020	SH(NA)-080890ENG-AD	[Partial correction] SAFETY PRECAUTIONS, Chapter 3, Section 14.2

Print date	*Manual number	Revision
December 2020	SH(NA)-080890ENG-AE	[Partial correction] CONDITIONS OF USE FOR THE PRODUCT, Section 4.3, Appendix 2, 4
March 2021	SH(NA)-080890ENG-AF	[Partial correction] SAFETY PRECAUTIONS
July 2022	SH(NA)-080890ENG-AG	[Partial correction] SAFETY PRECAUTIONS, Appendix 9

Japanese manual version SH-080874-AG

This manual confers no industrial property rights or any rights of any other kind, nor does it confer any patent licenses. Mitsubishi Electric Corporation cannot be held responsible for any problems involving industrial property rights which may occur as a result of using the contents noted in this manual.

© 2010 MITSUBISHI ELECTRIC CORPORATION

WARRANTY

Please confirm the following product warranty details before using this product.

1. Gratis Warranty Term and Gratis Warranty Range

If any faults or defects (hereinafter "Failure") found to be the responsibility of Mitsubishi occurs during use of the product within the gratis warranty term, the product shall be repaired at no cost via the sales representative or Mitsubishi Service Company.

However, if repairs are required onsite at domestic or overseas location, expenses to send an engineer will be solely at the customer's discretion. Mitsubishi shall not be held responsible for any re-commissioning, maintenance, or testing on-site that involves replacement of the failed module.

[Gratis Warranty Term]

The gratis warranty term of the product shall be for one year after the date of purchase or delivery to a designated place. Note that after manufacture and shipment from Mitsubishi, the maximum distribution period shall be six (6) months, and the longest gratis warranty term after manufacturing shall be eighteen (18) months. The gratis warranty term of repair parts shall not exceed the gratis warranty term before repairs.

[Gratis Warranty Range]

- (1) The range shall be limited to normal use within the usage state, usage methods and usage environment, etc., which follow the conditions and precautions, etc., given in the instruction manual, user's manual and caution labels on the product.
- (2) Even within the gratis warranty term, repairs shall be charged for in the following cases.
 1. Failure occurring from inappropriate storage or handling, carelessness or negligence by the user. Failure caused by the user's hardware or software design.
 2. Failure caused by unapproved modifications, etc., to the product by the user.
 3. When the Mitsubishi product is assembled into a user's device, Failure that could have been avoided if functions or structures, judged as necessary in the legal safety measures the user's device is subject to or as necessary by industry standards, had been provided.
 4. Failure that could have been avoided if consumable parts (battery, backlight, fuse, etc.) designated in the instruction manual had been correctly serviced or replaced.
 5. Failure caused by external irresistible forces such as fires or abnormal voltages, and Failure caused by force majeure such as earthquakes, lightning, wind and water damage.
 6. Failure caused by reasons unpredictable by scientific technology standards at time of shipment from Mitsubishi.
 7. Any other failure found not to be the responsibility of Mitsubishi or that admitted not to be so by the user.

2. Onerous repair term after discontinuation of production

- (1) Mitsubishi shall accept onerous product repairs for seven (7) years after production of the product is discontinued. Discontinuation of production shall be notified with Mitsubishi Technical Bulletins, etc.
- (2) Product supply (including repair parts) is not available after production is discontinued.

3. Overseas service

Overseas, repairs shall be accepted by Mitsubishi's local overseas FA Center. Note that the repair conditions at each FA Center may differ.

4. Exclusion of loss in opportunity and secondary loss from warranty liability

Regardless of the gratis warranty term, Mitsubishi shall not be liable for compensation to:

- (1) Damages caused by any cause found not to be the responsibility of Mitsubishi.
- (2) Loss in opportunity, lost profits incurred to the user by Failures of Mitsubishi products.
- (3) Special damages and secondary damages whether foreseeable or not, compensation for accidents, and compensation for damages to products other than Mitsubishi products.
- (4) Replacement by the user, maintenance of on-site equipment, start-up test run and other tasks.

5. Changes in product specifications

The specifications given in the catalogs, manuals or technical documents are subject to change without prior notice.

TRADEMARKS

The SD and SDHC logos are trademarks of SD-3C, LLC.

The company names, system names and product names mentioned in this manual are either registered trademarks or trademarks of their respective companies.

In some cases, trademark symbols such as [™] or [®] are not specified in this manual.



SH(NA)-080890ENG-AG(2207)MEE

MODEL: LCPU-U-HH-E

MODEL CODE: 13JZ36

MITSUBISHI ELECTRIC CORPORATION

HEAD OFFICE : TOKYO BUILDING, 2-7-3 MARUNOUCHI, CHIYODA-KU, TOKYO 100-8310, JAPAN
NAGOYA WORKS : 1-14, YADA-MINAMI 5-CHOME, HIGASHI-KU, NAGOYA, JAPAN

When exported from Japan, this manual does not require application to the
Ministry of Economy, Trade and Industry for service transaction permission.

Specifications subject to change without notice.