



Programmable Controller MELSEC iQ-F

Japanese English

MELSEC iQ-F FX5-4DA

Hardware Manual

FX5

Manual Number, Revision, Date table

This manual describes the part names, dimensions, installation, and specifications of the product.

Registration The company names, system names and product names mentioned in this manual are either registered trademarks or trademarks of their respective companies.

Effective June 2021 Specifications are subject to change without notice.

© 2017 MITSUBISHI ELECTRIC CORPORATION

Safety Precautions

This manual classifies the safety precautions into two categories:

WARNING and CAUTION

Warning and Caution icons with descriptions

Depending on the circumstances, procedures indicated by CAUTION may also cause severe injury. It is important to follow all precautions for personal safety.

Associated Manual

Table listing associated manuals for MELSEC iQ-F FX5 series

How to obtain manuals

For the necessary product manuals or documents, consult with your local Mitsubishi Electric representative.

Applicable standards

FX5-4DA complies with the EC Directive (EMC Directive) and UL standards (UL, cUL). Further information can be found in the following manual.

MELSEC iQ-F FX5 User's Manual (Analog Control - Intelligent function module) Regarding the standards that relate to the CPU module, please refer to either the product catalog or consult with your local Mitsubishi Electric representative.

Attention

This product is designed for use in industrial applications.

1. Outline

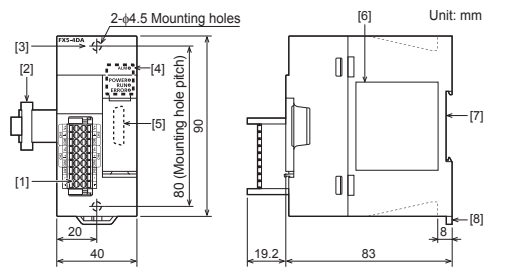
FX5-4DA analog output module (hereinafter called FX5-4DA) can convert 4 points of digital values into analog output values (voltage output and current output).

1.1 Incorporated Items

Check that the following product and items are included in the package:

Product and Included Items table

1.2 External Dimensions, Part Names



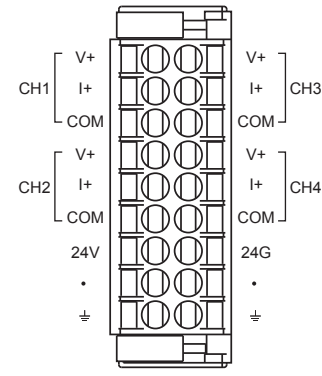
MASS (Weight): Approx. 0.2 kg Outer painting color: Munsell 0.6B7.6/0.2

- 1) Terminal block, 2) Extension cable, 3) Direct mounting hole, 4) Operation status display LEDs, 5) Extension connector, 6) Name plate, 7) DIN rail mounting groove, 8) DIN rail mounting hook, 9) Pullout tab

1.3 Indications of LEDs

LED display table with columns for LED display, LED color, Status, and Indication

1.4 Terminal Layout



For further information on terminal, refer to the following manual. MELSEC iQ-F FX5 User's Manual (Analog Control - Intelligent function module)

2. Installation

INSTALLATION PRECAUTIONS WARNING section with safety instructions

INSTALLATION PRECAUTIONS CAUTION section with safety instructions

For further information on mounting, refer to the following manual. MELSEC iQ-F FX5UJ User's Manual (Hardware) MELSEC iQ-F FX5U User's Manual (Hardware) MELSEC iQ-F FX5UC User's Manual (Hardware)

3. Wiring

WIRING PRECAUTIONS WARNING section with safety instructions

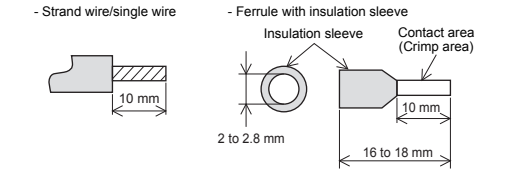
WIRING PRECAUTIONS CAUTION section with safety instructions

3.1 Applicable Cable

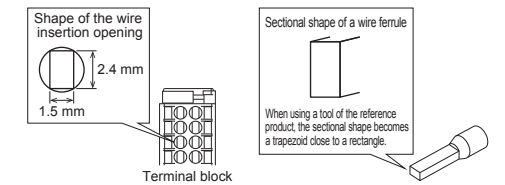
3.1.1 Spring clamp terminal block

Table for Suitable wiring with columns for No. of wire per terminal, Wire size, Ferrules with insulation sleeve, Temperature rating

1) Suitable wiring Strip the cable about 10 mm from the tip to connect a wire ferrule at the stripped area.



Check the shape of the wire insertion opening with the following chart, and use the smaller wire ferrule than the described size. Also, insert the wire with care so that the wire ferrule is in proper orientation.



The following table shows wire ferrules and its associated tools compatible with the terminal block.

Table showing wire ferrules and crimp tools with columns for Manufacturer, Model, Wire size, Crimp tool

3) Connecting a cable

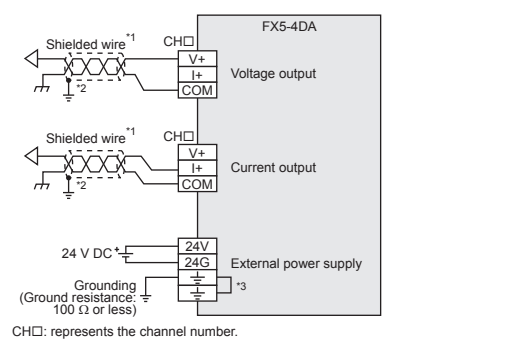
- When ferrules with insulation sleeve are used... When stranded wires and solid wires are used... Then, pull the wire lightly and check that it is clamped securely.

Table showing flathead screwdriver specifications with columns for Manufacturer, Model name

4) Disconnecting a cable

Push the open/close button of the wire to be disconnected with a flathead screwdriver. Pull out the wire with the open/close button pushed.

3.2 Example of Output Wiring

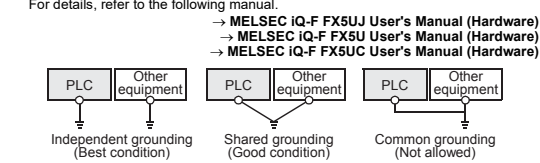


CH1: represents the channel number.

- *1 Use 2-core shielded twisted pair cable for the analog output lines... *2 Ground the shielded wire at one point on the signal receiving side. *3 "+" terminals are internally connected.

3.3 Grounding

- Perform class D grounding. Ground the PLC independently if possible. If the PLC cannot be grounded independently, perform the "Shared grounding" shown below.



- Bring the grounding point close to the PLC as much as possible so that the ground cable can be shortened.

4. Specification

DESIGN PRECAUTIONS WARNING section with safety instructions

DESIGN PRECAUTIONS CAUTION section with safety instructions

STARTUP AND MAINTENANCE PRECAUTIONS CAUTION section with safety instructions

DISPOSAL PRECAUTIONS CAUTION section with safety instructions

TRANSPORTATION PRECAUTIONS CAUTION section with safety instructions

4.1 Applicable CPU module

Table listing applicable CPU modules with columns for Model name, Applicability

*1 FX5-CNV-IFC or FX5-C1PS-5V is necessary to connect FX5-4DA to the FX5UC CPU module.

4.2 General Specifications

The items other than the following are equivalent to those of the CPU module. For the general specification, refer to the following manual. MELSEC iQ-F FX5UJ User's Manual (Hardware) MELSEC iQ-F FX5U User's Manual (Hardware) MELSEC iQ-F FX5UC User's Manual (Hardware)

Table with columns for Items, Specifications

4.3 Power Supply Specifications

Table with columns for Items, Specifications for power supply

4.4 Performance Specifications

Table with columns for Items, Specifications for performance

4.5 Output specifications

Table with columns for Items, Specifications for output

*1 For the output characteristic, refer to the following. MELSEC iQ-F FX5 User's Manual (Analog Control - Intelligent function module)

This manual confers no industrial property rights or any rights of any other kind, nor does it confer any patent licenses.

Warranty Exclusion of loss in opportunity and secondary loss from warranty liability. Mitsubishi Electric Corporation cannot be held responsible for any problems involving industrial property rights which may occur as a result of using the contents noted in this manual.

For safe use section with safety instructions