



Side A JAPANESE
Side B ENGLISH

FX-USB-AW

USER'S MANUAL



Manual Number	JY997D13201
Revision	R
Date	March 2020

This manual describes the part names, dimensions, mounting, and specifications of the product. Before use, read this manual and the manuals of all relevant products fully to acquire proficiency in handling and operating the product. Make sure to learn all the product information, safety information, and precautions. Store this manual in a safe place so that it can be taken out and read whenever necessary. Always forward it to the end user.
Registration: Microsoft, Windows, Windows Vista, and Windows XP are either registered trademarks or trademarks of Microsoft Corporation in the United States and/or other countries. The company names, system names and product names mentioned in this manual are either registered trademarks or trademarks of their respective companies. In some cases, trademark symbols such as "™" or "®" are not specified in this manual.

Effective March 2020
Specifications are subject to change without notice.
© 2004 Mitsubishi Electric Corporation

Safety Precautions (Read these precautions before use.)

This manual classifies the safety precautions into two categories:

⚠WARNING and ⚠CAUTION

	Indicates that incorrect handling may cause hazardous conditions, resulting in death or severe injury.
	Indicates that incorrect handling may cause hazardous conditions, resulting in medium or slight personal injury or physical damage.

Depending on the circumstances, procedures indicated by ⚠CAUTION may also cause severe injury. It is important to follow all precautions for personal safety.

Associated Manuals

Manual name	Manual No.	Description
FX-USB-AW /FX3U-USB-BD User's Manual - USB Driver Installation Edition	JY997D32601	Explains procedures for installing the USB driver software for the FX-USB-AW or FX3U-USB-BD.
FX Series User's Manual - Data Communication Edition	JY997D16901 MODEL CODE: 09R715	Explains N:N network, Parallel Link, Computer Link, Non-Protocol communication by RS and RS2 instructions/FX2N-232IF.

How to obtain manuals

For product manuals or documents, consult with your local Mitsubishi Electric sales representative.

Notification of CE marking

This notification does not guarantee that an entire mechanical module produced in accordance with the contents of the notification comply with the following standards. Compliance to EMC standards of the entire mechanical module should be checked by the user / manufacturer.

Attention

This product is designed for use in industrial applications.

Standards with which this product complies

Type: Programmable Controller (Open Type Equipment)
Models: Products manufactured from August 1st, 2004.

Electromagnetic Compatibility Standards (EMC)	Remark
EN61000-6-4:2007 Generic emission standard industrial environment	Compliance with all relevant aspects of the standard. • Emission-Enclosure port • Emission-Low voltage AC mains port • Emission-Telecommunications/network port
EN61131-2:2007 Programmable controllers - Equipment requirements and tests	Compliance with all relevant aspects of the standard. EMI • Radiated Emission • Conducted Emission EMS • Radiated electromagnetic field • Fast transient burst • Electrostatic discharge • High-energy surge • Voltage drops and interruptions • Conducted RF • Power frequency magnetic field
EN61000-6-2:2005 Generic immunity standard industrial environment	Compliance with all relevant aspects of the standard. • Radio-frequency electromagnetic field. • Amplitude modulated • Fast transients • Electrostatic discharge • Surges • Voltage dips • Voltage interruptions • Radio-frequency common mode • Power-frequency magnetic field

Notes for compliance to EMC regulation.

It is necessary to install the (FX-USB-AW) in a shielded metal control panel. For more details please contact the local Mitsubishi Electric sales site.

1. Outline

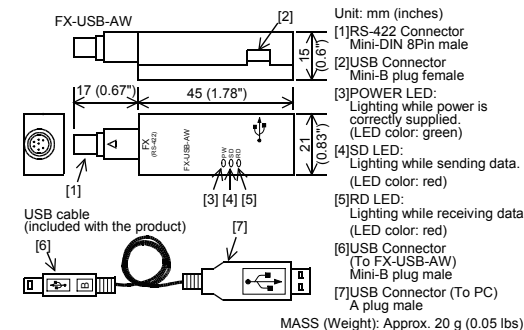
The FX-USB-AW is a RS-422/USB conversion interface unit to connect the FX series PLC to a personal computer with USB ports.

1.1 Incorporated Items

Verify that the following product and items are included in the package:

Product	FX-USB-AW type interface unit
Included items	USB cable (3 m (118.1")) User's Manual (this manual)

1.2 External Dimensions and Part Names



2. Specifications

INSTALLATION PRECAUTIONS

CAUTION

- Use the product within the generic environment specifications described in PLC main unit manual (Hardware Edition). Never use the product in areas with excessive dust, oily smoke, conductive dusts, corrosive gas (salt air, Cl₂, H₂S, SO₂ or NO₂), flammable gas, vibration or impacts, or expose it to high temperature, condensation, or rain and wind. If the product is used in such conditions, electric shock, fire, malfunctions, deterioration or damage may occur.

2.1 General Specifications

The general specifications are equivalent to the PLC main unit. For general specifications, refer to the manual of the PLC main unit.

2.2 Performance Specifications of FX-USB-AW

Current consumption	• 15 mA / 5 V DC (5 V DC power is supplied from the internal power supply of PLC) • 30 mA / 5 V DC (5 V DC power is supplied from the USB connector of personal computer)
Level Conversion	Bidirectional between RS-422 and USB (Between signals are isolated by photocoupler.)
Baud Rate	115200 bps, maximum (The baud rate is different in PLC.)
Transmission standard	USB2.0 (For full speed)
Signal name (Port)	To PLC RS-422 (Mini-DIN 8Pin male) To a cable USB (Mini-B plug female)

2.3 USB Cable Specifications

Signal name (Port)	To FX-USB-AW USB (Mini-B plug male) To PC USB (A plug male)
Length of cable	5 m (196.9") at most (Included cable is 3 m (118.1").)

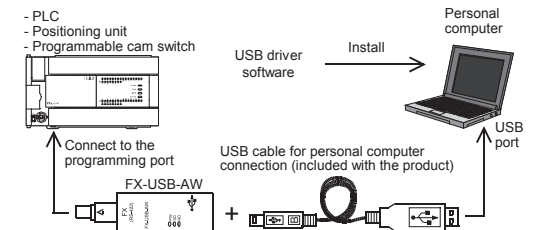
2.4 System Requirements

OS	Microsoft® Windows® 98*1, Windows® 98SE*1 Microsoft® Windows® Millennium Edition (Windows® Me)*1 Microsoft® Windows® 2000*1 Microsoft® Windows® XP*2+3 Microsoft® Windows Vista*2+3 Microsoft® Windows® 7*4 Microsoft® Windows® 8*5 Microsoft® Windows® 8.1*6 Microsoft® Windows® 10*7
Software	GX Works2 (SWDNC-GXW2-J, SWDNC-GXW2-E) GX Developer (SWD5C-GPPW-J, SWD5C-GPPW-E) FX-PCS/WIN*8, FX-PCS/WIN-E*9 FX-PCS-VPS/WIN, FX-PCS-VPS/WIN-E
Programmable controller	FX0, FX0S, FX0N, FX1S, FX1N, FX2N, FX3U, FX1NC*10, FX2NC, FX3UC, FX2N-10GM, FX2N-20GM, FX2N-1RM(E)-SET

- *1 Use the USB driver for Windows® 98, Windows® 98SE, Windows® Millennium Edition and Windows® 2000 included in the USB driver software Ver. 1.70.
- *2 Use the USB driver for Windows® XP and Windows Vista® included in the USB driver software Ver. 1.70.
- *3 Only the 32-bit version of this operating system is supported.
- *4 USB driver Ver. 1.30 or later is applicable to Windows® 7 32-bit version. USB driver Ver. 1.40 or later is applicable to Windows® 7 64-bit version. Use the applicable USB driver for Windows® 7 included in the USB driver software Ver. 1.70.
- *5 Use the USB driver for Windows® 8 included in the USB driver software Ver. 1.70.
- *6 Use the USB driver for Windows® 8.1 included in the USB driver software Ver. 1.70.
- *7 Use the USB driver for Windows® 10 included in the USB driver software Ver. 1.70.
- *8 FX-PCS/WIN for versions earlier than 4.30, the communication port setting can be selected from COM1-COM4. For versions 4.30 or later, the communication port setting can be selected from COM1-COM9.
- *9 FX-PCS/WIN-E for versions earlier than 3.30, the communication port setting can be selected from COM1-COM4. For versions 3.30 or later, the communication port setting can be selected from COM1-COM9.
- *10 FX1NC Series PLC specification details for I/O, wiring, installation, and maintenance can only be found in the Japanese Manual.

3. System Configuration

Connected equipment and connected cable



Connected equipment	Baud rate	Cable for personal computer connection
FX0, FX0S, FX0N, FX1S	9.6 kbps	USB cable of 5 m (196.9") at most (Included cable is 3 m (118.1"))
FX1N, FX1NC*1	19.2 kbps or less	
FX2N (Earlier than Ver. 3.00), FX2NC (Earlier than Ver. 3.00)	9.6 kbps	
FX2N (Ver. 3.00 or later), FX2NC (Ver. 3.00 or later)	19.2 kbps or less	
FX3U, FX3UC	115.2 kbps or less	
Positioning unit	FX2N-10GM, FX2N-20GM	9.6 kbps
Programmable cam switch	FX2N-1RM-E-SET	9.6 kbps

*1 FX1NC Series PLC specification details for I/O, wiring, installation, and maintenance can only be found in the Japanese Manual.
• Please refer to the specific PLC manual for a PLC not mentioned above.

4. Connecting Procedure

- Power off the PLC.
- Connect the USB (Mini-B plug male) connector of the USB cable to the FX-USB-AW.
- Connect the RS-422 (Mini-DIN 8Pin male) connector of the FX-USB-AW to the PLC.
- Connect the USB (A plug male) connector of the USB cable to the personal computer.
- Power ON the PLC.
- Power ON the personal computer.
- Make sure the POWER lamp of the FX-USB-AW is lit. (The POWER lamp of FX-USB-AW lights when power is supplied normally by the personal computer.)

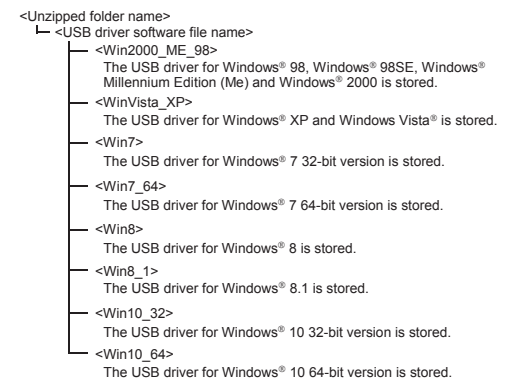
5. Driver Installation

Please connect the USB cable to the personal computer. Install USB driver software. For USB driver software, consult with your local Mitsubishi Electric sales representative.

CAUTION

- Please confirm whether the installation is performed normally after the installation of the driver. Regarding confirmation, refer to Chapter 6.
- The driver is not installed properly when the process is canceled during installation. To complete installation, uninstall the driver, and install again. For the uninstallation procedure of the driver, refer to the following manual.
→ FX-USB-AW/FX3U-USB-BD User's Manual - USB Driver Installation Edition
- This product requires USB Driver Installation for each USB port to be used. To use multiple USB ports, connect this product to each port, and install the driver each time. The driver is not installed properly if the driver of a different version has already been installed. To complete installation, uninstall the driver, and install again. (With Windows Vista®, Windows® 7, Windows® 8/8.1 or Windows® 10, driver installation will occur automatically. In other OS, depending on the PC environment, driver installation may occur automatically, or the location for the file may be required to be specified.)

USB driver software (Ver. 1.70) folder structure



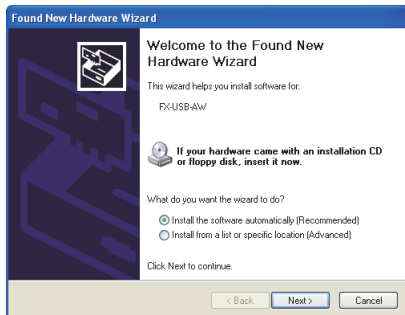
5.1 Windows® 98, Windows® 98SE, Windows® Millennium Edition, Windows® 2000, and Windows® XP

Please install the driver with the following procedure.

The installation procedure is explained when connecting to a personal computer with Windows® XP.

- Installation methods for Windows® 98, Windows® 98SE, Windows® Millennium Edition, and Windows® 2000 will vary.

- When the USB cable is connected to the personal computer, the following screen is displayed.



- Windows® XP
Add a check mark to [Install from a list or specific location (Advanced)] and click [Next >]. The window to select the installation path for the files will appear.
Add a check mark to "Specify search location", and install by specifying the folder of USB driver software.
- Windows® 98, Windows® 98SE, Windows® Millennium Edition, Windows® 2000
Click [Next>] and the window to select the location of the installation files will appear.
Add a check mark to "Specify search location", and install by specifying the folder of USB driver software.

- The following screen is displayed. (Only in Windows® XP)



Click [Continue Anyway].

- The completion screen is displayed.

Click [Finish].

If using Windows® 2000 or Windows® XP, proceed to step 4).

- If Windows® 98, Windows® 98SE or Windows® Millennium Edition is used, installation of the USB Serial Port software begins, and ends automatically. The installation of the USB driver software is completed.
Next, please confirm whether the installation is performed normally. Regarding confirmation, refer to Chapter 6.

- The following screen is displayed.



Follow the same procedure as 1) to install the USB Serial Port software.

- The screen of 2) is displayed. (Only in Windows® XP)

Click [Continue Anyway].

- The completion screen is displayed.

Click [Finish].

The installation of the USB Serial Port software will finish.

Next, please confirm whether the installation is performed normally. Regarding confirmation, refer to Chapter 6.

5.2 Windows Vista®, Windows® 7, Windows® 8/8.1, Windows® 10

For the installation procedure of the driver, refer to the following manual.

→ FX-USB-AW/FX3U-USB-BD User's Manual - USB Driver Installation Edition

6. Installation Confirmation of Driver

Procedure for confirming the installation of the driver is described below.

Please perform the following procedure, where the FX-USB-AW is connected to the personal computer.

Windows® XP example follows.

- In Windows® XP, click [Start] → [Control Panel] → [Performance and Maintenance] → [System] → [Hardware] → [Device Manager] and the window below will be displayed.

Please confirm the COM number to which the driver is allocated (COM and LPT).

- If using Windows® 98, Windows® 98SE, Windows® Millennium Edition or Windows® 2000

A screen that is equivalent to the one below is displayed by clicking [My Computer] → [Control Panel] → [System] → [Device Manager] in the menu of the personal computer.

- If using Windows Vista®

A screen that is equivalent to the one below is displayed by clicking [Start] → [Control Panel] → [Hardware and Sound] → [Device Manager] in the menu of the personal computer.

When user account control is enabled

Only when user account control is enabled will the "user account control" screen be displayed.

Click [Continue], when displayed.

- If using Windows® 7

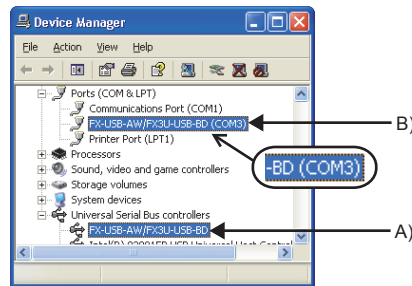
A screen that is equivalent to the one below is displayed by clicking [Start] → [Control Panel] → [System and Security] → [Device Manager] in the menu of the personal computer.

- If using Windows® 8/8.1

A screen that is equivalent to the one below is displayed by clicking [Start] → [All apps] → [Control Panel] → [System and Security] → [Device Manager] in the menu of the personal computer.

- If using Windows® 10

A screen that is equivalent to the one below is displayed by clicking [Start] → [Windows System] → [Control Panel] → [Hardware and Sound] → [Device Manager] in the menu of the personal computer.



Check following:

- "FX-USB-AW/FX3U-USB-BD" is displayed at A), as part of the list of the "Universal Serial Bus controllers".
- "FX-USB-AW/FX3U-USB-BD (COM*)" is displayed at B), as part of the serial port list. * indicates the COM number used in FX-USB-AW.
- ⚠ is not displayed.

Identification result:

- If 1) through 3) are all confirmed, installation is normal. Select the programming software COM number as the COM number currently assigned on the screen above.
- If any one of 1) through 3) is not satisfied, installation is not normal. (If the USB serial port software is not installed or the installation procedure is canceled in process are possible causes)

In this case, please start the installation procedure again from the beginning, after uninstalling the driver. For the installation procedure of the driver, refer to Chapter 5.

For the uninstallation procedure of the driver, refer to the following manual.

→ FX-USB-AW/FX3U-USB-BD User's Manual - USB Driver Installation Edition

7. Uninstalling Driver

For the uninstallation procedure of the driver, refer to the following manual.

→ FX-USB-AW/FX3U-USB-BD User's Manual - USB Driver Installation Edition

8. Caution on Use

STARTUP AND MAINTENANCE PRECAUTIONS	WARNING
<ul style="list-style-type: none"> Before modifying or disrupting the program in operation or running the PLC, carefully read through this manual and the associated manuals and ensure the safety of the operation. An operation error may damage the machinery or cause accidents. 	

STARTUP AND MAINTENANCE PRECAUTIONS	CAUTION
<ul style="list-style-type: none"> Do not disassemble or modify the PLC. Doing so may cause fire, equipment failures, or malfunctions. * For repair, contact your local Mitsubishi Electric representative. Since the FX-USB-AW case is made of resin, do not drop it or exert strong impact to it. Doing so may cause damage. 	

DISPOSAL PRECAUTIONS	CAUTION
<ul style="list-style-type: none"> Please contact a certified electronic waste disposal company for the environmentally safe recycling and disposal of your device. 	

TRANSPORTATION AND STORAGE PRECAUTIONS	CAUTION
<ul style="list-style-type: none"> The product is a precision instrument. During transportation, avoid impacts larger than those specified in the general specifications by using dedicated packaging boxes and shock-absorbing pallets. Failure to do so may cause failures in the product. After transportation, verify operation of the product and check for damage of the mounting part, etc. 	

- FX-USB-AW and a personal computer are connected and the PLC is turned on, and then operations such as write, read, and monitor are tried for the first time using a programming tool, a communication error message may be displayed. In such a case, clear the message and try the operations again.
- If a communication error message appears while operating the programming tool (when executing "Write to PLC", "Read from PLC", or "Monitor"), disconnect the USB cable once (from either the PC or the FX-USB-AW) and connect it again. Then clear the error message and choose Write, Read, or Monitor again.
- The programming tool may not be operated properly due to a contact failure at connectors or wire breakage. Make sure to save the program before transferring or changing it.

9. Troubleshooting

If communication cannot be established between the PLC (as well as a positioning unit or a programmable cam switch) and a PC using the FX-USB-AW, confirm the following status by checking the POWER LED, SD LED, and RD LED in the FX-USB-AW.

State of the POWER LED	Contents
POWER LED is lit	The 5 V DC power supply from the personal computer is normally supplied. In case of no communication, check the status of SD LED and RD LED.
POWER LED is not lit	The 5 V DC power supply from the personal computer is not supplied. Check the items below. <ul style="list-style-type: none"> Confirm that the specified cable is used to connect the FX-USB-AW and the personal computer. Confirm whether the power supply is supplied to personal computer.

The status of the SD LED and RD LED	Contents
Blinking	Communicating correctly
SD OFF	<ul style="list-style-type: none"> Confirm that the power is supplied to the personal computer. Confirm the personal computer and the PLC are connected properly with the specified cable. Confirm that the communication settings, such as the COM number, and connected PLC are correctly set in the software. Refer to the software manual. Please check whether the driver can be installed normally. Regarding confirmation, refer to Chapter 6.

The status of the SD LED and RD LED	Contents
Blinking	Data receiving
RD OFF	<ul style="list-style-type: none"> Confirm that the power is supplied to PLC. The PLC will not operate when a configuration that exceeds the 5 V DC or 24 V DC capacity is used. It will also be impossible to communicate normally. Confirm that the specified cable is used to connect the personal computer and PLC. Confirm that the communication settings, such as the COM number, connected PLC are correctly set in the software. Refer to the software manual. Please check whether the driver can be installed normally. Regarding confirmation, refer to Chapter 6.

- When driver installation is required after already establishing USB communication.
 - This product requires USB Driver Installation for each USB port to be connected. Connect the product to a driver-installed USB port, or install the driver for the current port.
 - The driver is not installed properly if the driver of a different version has already been installed. To complete installation, uninstall the driver, and install again.

「电器电子产品有害物质限制使用标识要求」的表示方式



Note: This symbol mark is for China only.

含有有害6物质的名称, 含有量, 含有部品
本产品中所含有的有害6物质的名称, 含有量, 含有部品如下表所示。

部品名称	有害物质				
	铅 (Pb)	汞 (Hg)	镉 (Cd)	六价铬 (Cr (VI))	多溴联苯 (PBB) / 多溴二苯醚 (PBDE)
可编程控制器	○	○	○	○	○
外壳	○	○	○	○	○
印刷基板	×	○	○	○	○

本表格依据SJ/T 11364的规定编制。

○:表示该有害物质在该部件所有均质材料中的含量均在GB/T 26572规定的限量要求以下。

×:表示该有害物质至少在该部件的某一均质材料中的含量超出GB/T 26572规定的限量要求。

基于中国标准法的参考规格: GB/T15969.2

This manual confers no industrial property rights or any rights of any other kind, nor does it confer any patent licenses. Mitsubishi Electric Corporation cannot be held responsible for any problems involving industrial property rights which may occur as a result of using the contents noted in this manual.

Warranty

Exclusion of loss in opportunity and secondary loss from warranty liability
Regardless of the gratis warranty term, Mitsubishi Electric shall not be liable for compensation to:

- Damages caused by any cause found not to be the responsibility of Mitsubishi.
- Loss in opportunity, lost profits incurred to the user by Failures of Mitsubishi products.
- Special damages and secondary damages whether foreseeable or not, compensation for accidents, and compensation for damages to products other than Mitsubishi products.
- Replacement by the user, maintenance of on-site equipment, start-up test run and other tasks.

For safe use
<ul style="list-style-type: none"> This product has been manufactured as a general-purpose part for general industries, and has not been designed or manufactured to be incorporated in a device or system used in purposes related to human life. Before using the product for special purposes such as nuclear power, electric power, aerospace, medicine or passenger movement vehicles, consult with Mitsubishi Electric. This product has been manufactured under strict quality control. However when installing the product where major accidents or losses could occur if the product fails, install appropriate backup or failsafe functions in the system.

MITSUBISHI ELECTRIC CORPORATION

HEAD OFFICE : TOKYO BUILDING, 2-7-3 MARUNOUCHI, CHIYODA-KU, TOKYO 100-8310, JAPAN



Side A JAPANESE Side B ENGLISH

FX-USB-AW

USER'S MANUAL



Table with Manual Number (JY997D13201), Revision (R), and Date (March 2020)

This manual describes the part names, dimensions, mounting, and specifications of the product. Before use, read this manual and the manuals of all relevant products fully to acquire proficiency in handling and operating the product.

Registration: Microsoft, Windows, Windows Vista, and Windows XP are either registered trademarks or trademarks of Microsoft Corporation in the United States and/or other countries.

Effective March 2020

Specifications are subject to change without notice.

Safety Precautions (Read these precautions before use.)

This manual classifies the safety precautions into two categories:

WARNING and CAUTION

Table with 2 columns: Symbol (Warning/ Caution) and Description of hazard

Depending on the circumstances, procedures indicated by CAUTION may also cause severe injury. It is important to follow all precautions for personal safety.

Associated Manuals

Table with Manual name, Manual No., and Description

How to obtain manuals For product manuals or documents, consult with your local Mitsubishi Electric sales representative.

Notification of CE marking

This notification does not guarantee that an entire mechanical module produced in accordance with the contents of the notification comply with the following standards.

Attention This product is designed for use in industrial applications.

Standards with which this product complies Type: Programmable Controller (Open Type Equipment) Models: Products manufactured from August 1st, 2004.

Table with Electromagnetic Compatibility Standards (EMC) and Remark columns

Notes for compliance to EMC regulation. It is necessary to install the (FX-USB-AW) in a shielded metal control panel.

1. Outline

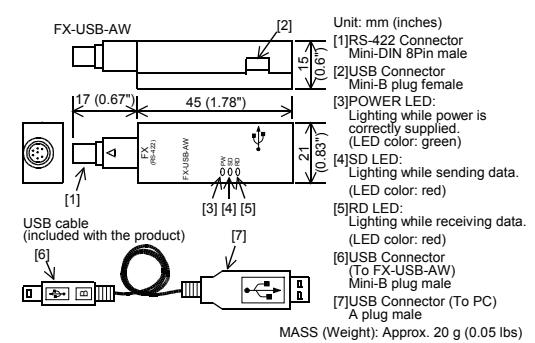
The FX-USB-AW is a RS-422/USB conversion interface unit to connect the FX Series PLC to a personal computer with USB ports.

1.1 Incorporated Items

Verify that the following product and items are included in the package:

Table with Product and Included items

1.2 External Dimensions and Part Names



2. Specifications

Table with Installation Precautions and CAUTION

2.1 General Specifications

The general specifications are equivalent to the PLC main unit. For general specifications, refer to the manual of the PLC main unit.

2.2 Performance Specifications of FX-USB-AW

Table with Current consumption, Level Conversion, Baud Rate, and Transmission standard

2.3 USB Cable Specifications

Table with Signal name (Port) and Length of cable

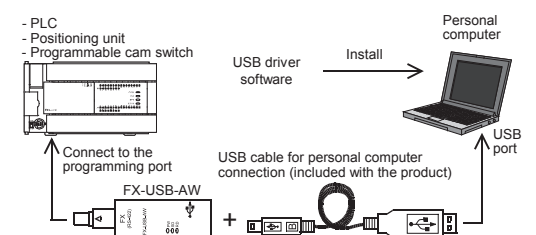
2.4 System Requirements

Table with OS, Software, and Programmable controller

- 1* Use the USB driver for Windows® 98, Windows® 98SE, Windows® Millennium Edition and Windows® 2000 included in the USB driver software Ver. 1.70.

3. System Configuration

Connected equipment and connected cable

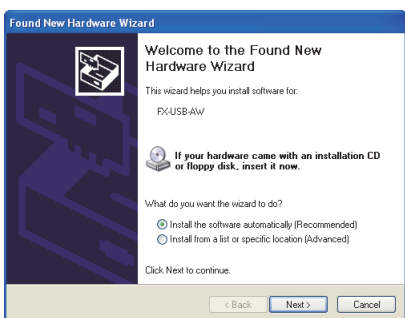


5.1 Windows® 98, Windows® 98SE, Windows® Millennium Edition, Windows® 2000, and Windows® XP

Please install the driver with the following procedure. The installation procedure is explained when connecting to a personal computer with Windows® XP.

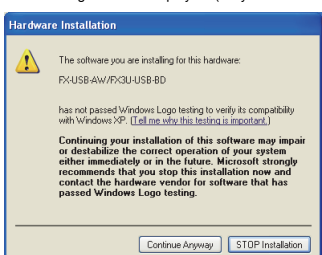
- Installation methods for Windows® 98, Windows® 98SE, Windows® Millennium Edition, and Windows® 2000 will vary.

1) When the USB cable is connected to the personal computer, the following screen is displayed.



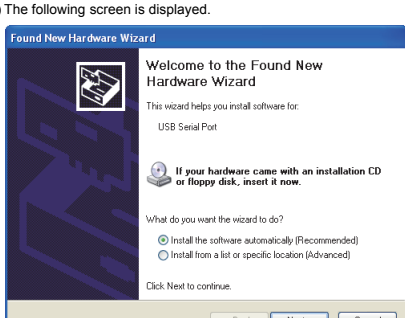
- Windows® XP Add a check mark to [Install from a list or specific location (Advanced)] and click [Next >].

2) The following screen is displayed. (Only in Windows® XP)



3) The completion screen is displayed. Click [Finish].

4) The following screen is displayed.



Follow the same procedure as 1) to install the USB Serial Port software.

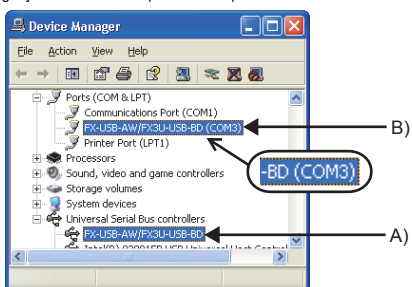
- 5) The screen of 2) is displayed. (Only in Windows® XP) Click [Continue Anyway].

5.2 Windows Vista®, Windows® 7, Windows® 8/8.1, Windows® 10 For the installation procedure of the driver, refer to the following manual.

6. Installation Confirmation of Driver

Procedure for confirming the installation of the driver is described below. Please perform the following procedure, where the FX-USB-AW is connected to the personal computer.

- In Windows® XP, click [Start] -> [Control Panel] -> [Performance and Maintenance] -> [System] -> [Hardware] -> [Device Manager]



- Check following: 1) "FX-USB-AW/FX3U-USB-BD" is displayed at A), as part of the list of the "Universal Serial Bus controllers".

Identification result: If 1) through 3) are all confirmed, installation is normal. Select the programming software COM number as the COM number currently assigned on the screen above.

7. Uninstalling Driver

For the uninstallation procedure of the driver, refer to the following manual. -> FX-USB-AW/FX3U-USB-BD User's Manual - USB Driver Installation Edition

8. Caution on Use

Table with STARTUP AND MAINTENANCE PRECAUTIONS and WARNING

Table with STARTUP AND MAINTENANCE PRECAUTIONS and CAUTION

Table with DISPOSAL PRECAUTIONS and CAUTION

Table with TRANSPORTATION AND STORAGE PRECAUTIONS and CAUTION

- FX-USB-AW and a personal computer are connected and the PLC is turned on, and then operations such as write, read, and monitor are tried for the first time using a programming tool.

9. Troubleshooting

- If communication cannot be established between the PLC (as well as a positioning unit or a programmable cam switch) and a PC using the FX-USB-AW, confirm the following status by checking the POWER LED, SD LED, and RD LED in the FX-USB-AW.

Table with State of the POWER LED and Contents

Table with The status of the SD LED and RD LED and Contents

Table with Connected equipment, Baud rate, and Cable for personal computer connection

*1 FX1NC Series PLC specification details for I/O, wiring, installation, and maintenance can only be found in the Japanese Manual.

4. Connecting Procedure

- 1) Power off the PLC. 2) Connect the USB (Mini-B plug male) connector of the USB cable to the FX-USB-AW.

5. Driver Installation

Please connect the USB cable to the personal computer. Install USB driver software. For USB driver software, consult with your local Mitsubishi Electric sales representative.

- Please confirm whether the installation is performed normally after the installation of the driver. Regarding confirmation, refer to Chapter 6.

This product requires USB Driver Installation for each USB port to be used. To use multiple USB ports, connect this product to each port, and install the driver each time.

USB driver software (Ver. 1.70) folder structure

- <Unzipped folder name> <USB driver software file name> <Win2000_ME_98>

Table with The status of the SD LED and RD LED and Contents

- When driver installation is required after already establishing USB communication. -> This product requires USB Driver Installation for each USB port to be connected.

「电器电子产品有害物质限制使用标识要求」的表示方式

Note: This symbol mark is for China only. 含有有害6物质的名称, 含有量, 含有部品

Table with 有害物質 (Lead, Mercury, Cadmium, Hexavalent Chromium, Polychlorinated Biphenyls, Polybrominated Diphenyl Ethers)

本表格依据SJ/T 11364的规定编制。 0: 表示该有害物质在该部件所有均质材料中的含量均在GB/T 26572规定的限量要求以下。

基于中国标准法的参考规格: GB/T15969.2

This manual confers no industrial property rights or any rights of any other kind, nor does it confer any patent licenses.

Warranty Exclusion of loss in opportunity and secondary loss from warranty liability. Regardless of the gratis warranty term, Mitsubishi shall not be liable for compensation to:

Table with For safe use and safety warnings