

**Hardware Warnings**



To correctly use this product, be sure to read the hardware warnings written in the FX<sub>0N</sub> hardware manual.

## FX<sub>0N</sub>-5SBC-1 Cable Adapter USER'S GUIDE

### Product Outline

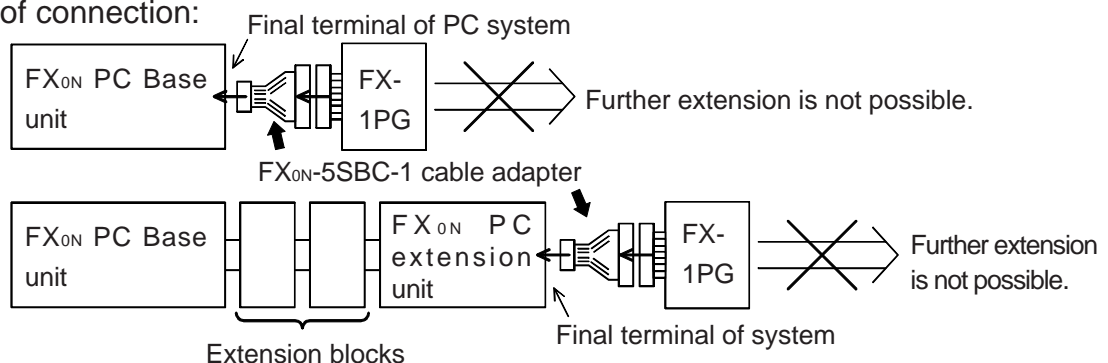
The FX<sub>0N</sub>-5SBC-1 is the special cable adapter that connects the FX<sub>0N</sub> PC to the FX-1PG pulse output block (1 block).


### Connection

Use the FX<sub>0N</sub>-5SBC-1 cable adapter to connect the FX-1PG pulse output block to the final terminal of the FX<sub>0N</sub> PC system.

Before connecting the cable adapter, be sure to turn off the power of all the units. Do not apply extreme force to the lead wire to connect or disconnect the cable adapter. Extreme force applied to the lead wire may cause disconnection.

Example of connection:



- Note:
- The number of FX-1PG blocks connected to the system is limited to only one.
  - The FX-1PG block uses 8 I/O points of the FX<sub>0N</sub> PC. Note that the total number of I/O points used for extension units including the FX-1PG should be limited to "128".
  - The extension cable of the FX<sub>0N</sub>-65EC extension unit cannot be used.
  - When using this cable the system is susceptible to noise. To reduce the risk of errors confirmation of operations is recommended. Suitable for use in a low noise environment only.
- 
- Do not connect any special extension blocks or I/O extension units other than the FX-1PG. Connection of such units may cause damage.
  - The next extension connector incorporated in the FX-1PG block cannot be used. If this extension connector is connected to a unit, no power will be supplied to the unit, therefore operation may be stopped. As a result, the unit may be damaged.