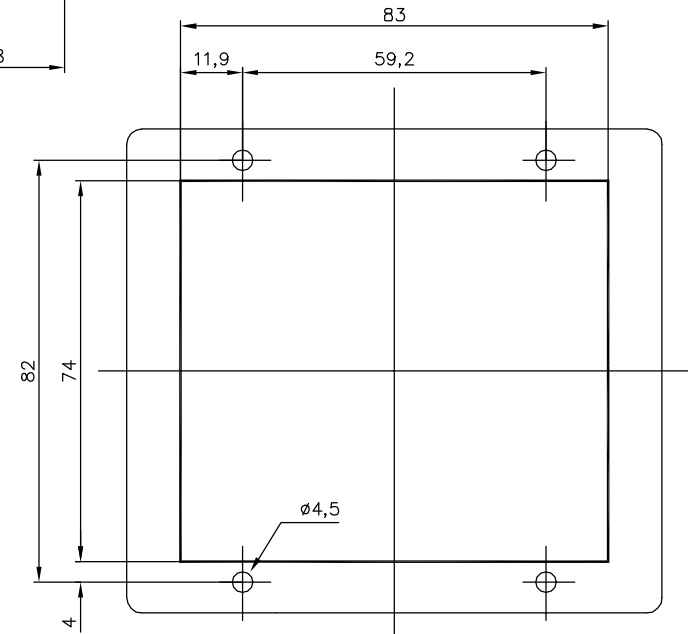
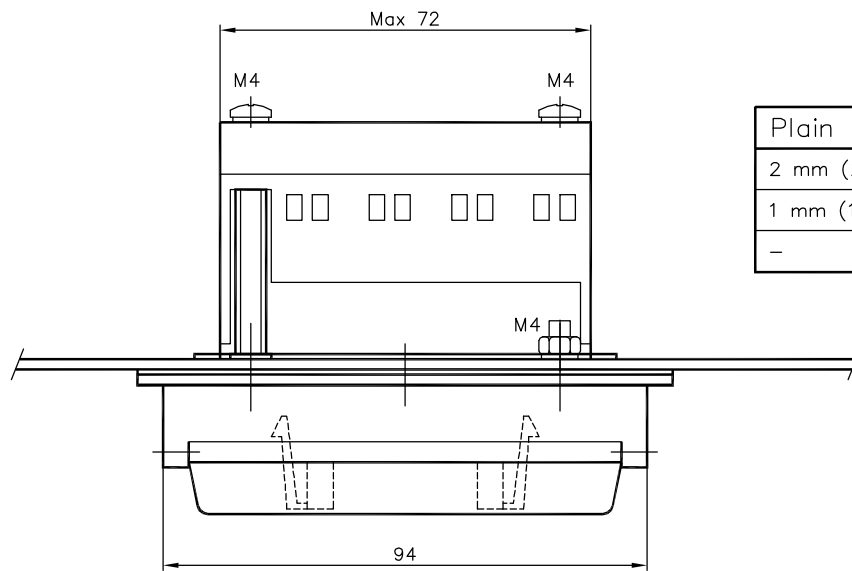


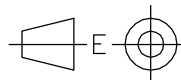
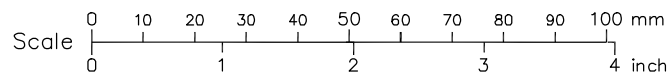
Panel cut out



Plain washer	Panel
2 mm (2 pcs)	1-1,9 mm
1 mm (1 pcs)	2-2,9 mm
-	3-4 mm



Drawn to scale 1:1



A3

AL-FRAME-6/10-IP54		Revision		Page	Next page	Drawing No.
Drawn	Date	App.	Revision date	1	-	S-02988
EAN	2000-05-08		-			