



Safety Guidelines

MI3321G-W
MI3315G-W

Thank you for purchasing MELIPC MI3000.
Prior to use, please read this and MELIPC MI3000 User's Manual thoroughly to fully understand the product.

申請商: 攝陽企業股份有限公司
地址: 新北市24889五股區五工三路105號
電話: (02) 2299-2499

MODEL	MELIPC-MI3000-U-HW
MODEL CODE	_____
IB(NA)-0800622-D(2204)AD	

SAFETY PRECAUTIONS

(Always read these precautions before using this product.)

Before using this product, please read this manual and the relevant manuals introduced in this manual carefully and pay full attention to safety to handle the product correctly.

In this manual, the safety precautions are ranked as "⚠️ WARNING" and "⚠️ CAUTION".

⚠️ WARNING Indicates that incorrect handling may cause hazardous conditions, resulting in death or severe injury.

⚠️ CAUTION Indicates that incorrect handling may cause hazardous conditions, resulting in medium or slight personal injury or physical damage.

Note that the level of ⚠️ CAUTION may lead to a serious accident according to the circumstances.

Always follow the instructions of both levels because they are important to personal safety.

Please save this manual to make it accessible when required and always forward it to the end user.

[DESIGN PRECAUTIONS]

⚠️ WARNING

- Create safety circuits external to the product to ensure that the entire system works safely even if the external power supply or product fails.

Not doing so may cause an accident due to a false output or malfunction.

Create the following circuits external to the product: emergency stop circuits, protection circuits, interlock circuits that prevent an invert operation (such as a forward/reverse rotation), and interlock circuits that prevent a machine breakage (such as positioning at the upper or lower limit).

- Carefully read the manuals of the controllers and ensure safety before operating the product connected to peripheral devices.

- Some failures of the product, extension board, or cables may keep the outputs on or off.

Some failures of a touch panel may cause malfunction of the input objects such as a touch switch.

An external monitoring circuit should be provided to check for output signals which may lead to a serious accident. Not doing so may cause an accident due to a false output or malfunction.

- Do not use the product as the warning device that may cause a serious accident.

An independent and redundant hardware or mechanical interlock is required to configure a device that displays or outputs a serious warning. Not doing so may cause an accident due to a false output or malfunction.

- When the backlight of the product has a failure, no failure can be detected.

Do not touch the touch panel because touch switches can be operated.

Doing so may cause an unintended operation.

⚠️ CAUTION

- Do not run the control line cables and communication cables together with or near the main circuit cables, power line cables, etc. Keep a distance of 100 mm or more between them as a guide. Not doing so may cause a malfunction due to noise.

- When selecting fuses and breakers for external circuits, consider the specification values of fusing, detection characteristics, and inrush current.

- When using an uninterruptible power supply (UPS), do not use the one that outputs square waves.

- Do not press the display section of the product with a pointed material as a pen or driver. Doing so may result in a damage or failure of the display section.

- Turn on the controllers and the network devices to be ready for communication before they communicate with the product.

Not doing so may cause a communication error on the product.

- When the product is exposed to a vibration or shock, or the screen of the product displays a specific color, the screen may flicker.
-

[SECURITY PRECAUTIONS]

⚠️ WARNING

- To maintain the security (confidentiality, integrity, and availability) of this product and the system against unauthorized access, denial-of-service (DoS) attacks, computer viruses, and other cyberattacks from unreliable networks and devices via network, take appropriate measures such as firewalls, virtual private networks (VPNs), and antivirus solutions.
-

[INSTALLATION PRECAUTIONS]

⚠️ WARNING

- Shut off all phases of the external power supply used by the system before installing or removing the product to/from the control panel. Not doing so may cause the product to fail or malfunction.

- Make sure to shut off all phases of the external power supply used by the system before installing or removing the extension board to/from the product.

Not doing so may cause the product and extension board to fail or malfunction.

[INSTALLATION PRECAUTIONS]

CAUTION

- Use the product in the environment that satisfies "General Specifications" in this manual.
Not doing so may cause an electric shock, fire, malfunction, product damage, or deterioration.
- Do not touch the conductive areas and electronic parts of the product.
Doing so may result in a failure or malfunction.
- When mounting the product on the control panel, tighten the mounting screws with the specified torque (0.49 N·m) with a Phillips-head screwdriver No. 2.
Undertightening may cause the product to drop, short circuit or malfunction.
Overtightening may cause a drop, short circuit, or malfunction due to the damage of the screws or the product.
- Tighten the following screws with the specified torque.
 - SSD slot fixing screw: 0.29 N·m
 - SSD fixing screw: 0.2 N·m
 - Power supply connector screw: 0.2 N·m
 - Functional grounding screw: 0.49 N·mUndertightening may cause a drop, failure, or malfunction.
Overtightening may cause a drop, failure, or malfunction due to the damage of the screws or product.
- Operate and store the product in an environment without direct sunlight, high temperature, dust, humidity, and vibrations.
- Do not operate the product with its display section frozen.
The water droplets on the display section may freeze at a low temperature.
Touch switches and other input objects may malfunction if the display section is frozen.
- Do not operate the touch screen when its surface is wet.
Touch switches and other input objects may malfunction.
Before turning on the product, wipe the touch screen dry with a soft cloth.

[WIRING PRECAUTIONS]

WARNING

- Make sure to shut off the external power supply for the system in all phases before installation or wiring.
Not doing so may result in an electric shock, product failure, or malfunction.
- After installation, wiring, or other work, make sure to attach the back cover to the product before turning on the power and starting operation. Not doing so may cause an electrical shock.

CAUTION

- Make sure to ground the FG terminal of the power supply section (ground resistance: 100 Ω or less, cross-sectional area of the ground cable: 2.0 mm² or more).
Not doing so may result in an electric shock or malfunction.
- Securely connect the connector of an external controller to the product. Not doing so may cause a malfunction due to a contact fault.
- Do not run the control line cables and communication cables together with or near the main circuit cables, power line cables, etc. Keep a distance of 100 mm or more between them as a guide. Not doing so may cause a malfunction due to noise.
- The wires and cables connected to the product must be run in ducts or fixed with clamps or nylon bands.
When the wires or cables are not fixed, the malfunction may occur due to the following causes.
 - Cable dangling or swinging
 - Damage to the product or cable due to accidental pulling of cable
 - Poor cable connection
- Check the type of the interface to be connected and connect the cables correctly. Incorrect wiring (connecting the cable to an incorrect interface) may cause a failure of the product or external device.
- Exercise care to avoid foreign matter such as chips and wire offcuts entering the product.
Not doing so may cause a fire, failure, or malfunction.
- When unplugging the cable connected to the product, do not pull the cable portion.
For the cable with a connector, hold the connector part and unplug the cable.
- Wiring must be performed by maintenance personnel with knowledge of protection against electric shock. For the wiring method, refer to this manual.
- Tighten the terminal screws in the power supply section of the product with the specified torque (0.20 N·m).
Undertightening may cause a short circuit or malfunction.
Overtightening may cause a short circuit or malfunction due to the damage of the screws or product.
- For a terminal processing of a wire to the power supply section of the product, connect a stranded wire or a single wire directly, or use the rod terminal with an insulation sleeve.

[STARTUP AND MAINTENANCE PRECAUTIONS]

WARNING

- Do not touch the terminals while power is on. Doing so may cause an electric shock or malfunction.
- Do not charge, disassemble, heat, shortcircuit, or solder the battery. Also, do not expose it to liquid or a strong shock. Doing so will cause the battery to produce heat, explode, ignite, or leak, resulting in injury or fire.
- Shut off all phases of the external power supply used by the system before retightening the terminal screws, connector screws, or module fixing screws or cleaning the product. Not doing so may cause an electrical shock.

[STARTUP AND MAINTENANCE PRECAUTIONS]

CAUTION

- Do not disassemble or modify the product. Doing so may cause a failure, malfunction, injury, or fire.
- Use any radio communication device such as a cellular phone or personal handy-phone system (PHS) more than 25 cm away in all directions from the product. Not doing so may cause a malfunction.
- Do not touch the conductive areas and electronic parts of the product.
Doing so may cause a malfunction or failure of the product.
- Before touching the product, make sure to touch the grounded metal or other conductive material to discharge the static electricity in the body and others. Not doing so may cause the product to fail or malfunction.
- When unplugging the cable connected to the product, do not hold and pull the cable portion.
Doing so may damage the product or cable, or cause a malfunction due to a cable connection fault.
- Do not drop the product or subject it to a strong shock.
Doing so may damage the product.

[TOUCH PANEL PRECAUTIONS]

WARNING

- Noises may cause unstable touch operation or difference between a touched position and the object position.
When any difference between a touched position and the object position occurs, other objects may be activated. This may cause an unexpected operation due to incorrect output or malfunction.
- Since the display section of the product is made of glass, if it is broken, pieces of glass can scatter. Be careful not to get hurt.
- The touch panel exposed to water or any conductive substances may cause incorrect input or position gap.

[PRECAUTIONS FOR POWER SHUT-OFF]

CAUTION

- Shut down Windows before turning off the product.
Do not turn off the product before shutting down Windows, or the SSD data may be corrupted.
- Do not turn off the product immediately after shutting down Windows.
Doing so may cause the data corruption since the SSD is being accessed.
Turn off the product when 15 seconds or longer have passed after the Power LED turns orange.
The access time to the SSD depends on the usage environment.

[PRECAUTIONS WHEN POWERING OFF AND ON]

CAUTION

- Turn off and on the input power supply when 10 seconds or longer have passed after the power supply of the product is shut off.

[PRECAUTIONS WHEN THE DATA STORAGE IS IN USE]

CAUTION

- If the data storage is removed from the product while being accessed, the data storage and files may be damaged.
- When installing a USB device into the USB interface of the product, make sure to insert the device into the interface firmly.
Not doing so may cause a malfunction due to a connection fault.
- Make sure to shut off the external power supply for the system in all phases before installing the extension board or an SSD. Not doing so may result in an electric shock, product damage, or malfunction even when the product is shut down.
- When using the product with the SSD installed, tighten the screws firmly.

[DISPOSAL PRECAUTIONS]

CAUTION

- When disposing of the product, treat it as industrial waste.
- When disposing of batteries, separate them from other wastes according to the local regulations. For details on battery regulations in EU member states, refer to "Handling of Batteries and Devices with Built-In Batteries in EU Member States" in this manual.

[TRANSPORTATION PRECAUTIONS]

CAUTION

- When transporting lithium batteries, follow the transportation regulations. For details on the regulated models, refer to "Precautions for Battery Transportation" in this manual.
- Since the product is a precision device, during transportation, make sure that the product is not exposed to a shock exceeding the shock resistance described in the general specifications of the user's manual of the product.
Not doing so may cause the product to fail.
Check if the product operates correctly after transportation.
- When halogenated substances (such as fluorine, chlorine, bromine, and iodine) contained in fumigants, which are used as disinfectants or insecticides for wooden packing materials, enter our products, they may cause a malfunction.
Make sure that the remaining fumigant does not enter our products, or treat the packaging by the method other than fumigation (heat treatment or others).
Additionally, disinfect and protect wood from insects before packing products.

Precautions regarding Warranty

This product was jointly developed and manufactured by Mitsubishi Electric Corporation and Advantech Co., Ltd.
For the warranty, pay attention to the following remarks.

Warranty

Item	MI3321G-W MI3315G-W
Gratis warranty term	18 months after delivery or 24 months from manufacture
Repair term after discontinuation of production	5 years

- For repairs during the gratis warranty term, refer to "Warranty" in this manual.
- If replacement parts become unavailable, some specifications may change or the product may not be repaired even within the repair term.
- It may take some time to respond to the problem or repair the product depending on the condition and timing.

Precautions for Use

Precautions for Microsoft Corporation products

The product is equipped with the Windows 10 IoT Enterprise operating system manufactured by Microsoft Corporation in the United States. For the use of the product, Mitsubishi Electric Corporation shall have no responsibility or liability for any problem or damage caused by the product of Microsoft Corporation in the United States.

For problems and specifications of products of Microsoft Corporation in the United States, refer to the manuals of them or contact Microsoft Corporation.

Contact Microsoft Corporation from the following web address.

Microsoft Corporation: support.microsoft.com/en-us/contactus/

Precautions When Repairing

The following describes precautions when repairing this product.

- When repairing the product, the customer may delete software or data installed to the product and initialize the product to default status.

For the data stored in the memory, Mitsubishi shall have no responsibility for any loss or damage caused by a failure, malfunction, theft during transportation, or any other reasons.

- Back up data by yourself prior to ordering repair service.

The product returned to Mitsubishi is considered that all data are backed up.

- Before ordering overseas repairs, delete software or data shown below by yourself.
 - Software subject to export control rules (encryption software, etc.)
 - Software or data related to customer's trade secrets
- Mitsubishi will delete or break data stored in memory that is removed for repair by our responsibility. Note that Mitsubishi will not return the removed memory and will not issue the deletion/destruction certificate.

Precautions for Setup

Do not shut down or restart Windows, or do not turn off the MI3000 until the setup is complete.

Otherwise, Windows may not be set up properly. *1

*1 Excluding when the system restarts automatically.

CONTENTS

SAFETY PRECAUTIONS	1
Precautions regarding Warranty	4
Precautions for Use	4
Precautions When Repairing	4
Precautions for Setup	4
RELEVANT MANUALS	6
1 INTRODUCTION	7
1.1 Product Application	7
1.2 Before Using this Product	7
1.3 Packing List	7
2 PARTS NAMES	8
3 SPECIFICATIONS	9
3.1 General Specifications	9
3.2 Performance specifications	9
3.3 Power supply specifications	9
3.4 External Dimensions	10
4 EMC DIRECTIVE	11
4.1 Requirements for Compliance with the EMC Directive	11
4.2 EMC Directive Related Standards	11
4.3 Installation to Control Panel	11
4.4 Noise Filter (Power Supply Line Filter)	12
5 INSTALLATION	13
5.1 Control Panel Inside Dimensions for Installation	13
5.2 Panel Cutting Dimensions	13
5.3 Installation Position	13
6 BATTERIES IN EU MEMBER STATES	15
7 PRECAUTIONS FOR BATTERY TRANSPORTATION	16
7.1 Perchlorate Regulation in the State of California, USA	16
8 APPENDICES	17
8.1 Labelling Based on Taiwan RoHS (Restriction of Hazardous Substances)	17
8.2 Labelling Based on Standardization Law of the People's Republic of China	17
REVISIONS	18
WARRANTY	19
LABELLING BASED ON LOCAL ELECTROMAGNETIC INTERFERENCE LAWS	20
Intellectual Property Rights	20

RELEVANT MANUALS

This manual describes precautions for safety use of this product.

The details of the product are described in the following manuals.

Fully understand the functions and performance of the product for correct use.

Manual name	Manual No.	File format
MELIPC MI3000 User's Manual	SH-082062 SH-082063ENG	PDF/e-Manual
GT SoftGOT2000 Version1 Operating Manual	SH-081201 SH-081209ENG	PDF/e-Manual

The latest manual is also available on the MITSUBISHI ELECTRIC FA Global Website (www.mitsubishielectric.com/fa).

1 INTRODUCTION

1.1 Product Application

In using the Mitsubishi Electric Corporation industrial personal computer (MELIPC), the usage conditions shall be that the application will not lead to a major accident even if any problem or fault should occur in the MELIPC, and that backup and fail-safe functions are systematically provided outside the MELIPC for any problem or fault.

MELIPC is designed and manufactured for applications in general industries and others.

Thus, the following special applications shall be excluded from the MELIPC applications.

Mitsubishi Electric Corporation shall have no responsibility or liability (including, but not limited to any and all responsibility or liability based on contract, warranty, quality assurance, tort, and product liability) for any damage of any kind caused by use of the MELIPC in any application unintended or excluded.

- Nuclear power plants and any other power plants operated by power companies, and applications in which the public could be affected
- Railway companies, public service, and applications in which establishment of a special quality assurance system is required
- Aircraft, medical, railway applications, incineration and fuel devices, manned transportation equipment, recreation and amusement devices, safety devices, and applications in which human life or property could be greatly affected

Mitsubishi Electric shall have no responsibility or liability for any problems involving MELIPC trouble and system trouble by unauthorized access, denial-of-service (DoS) attacks, computer viruses, and other cyberattacks.

1.2 Before Using this Product

For the details of the product specifications, installation method, wiring, maintenance and inspection, checking methods for the conforming standards, and others, refer to the MELIPC MI3000 User's Manual.

1.3 Packing List

The following are included in this product.

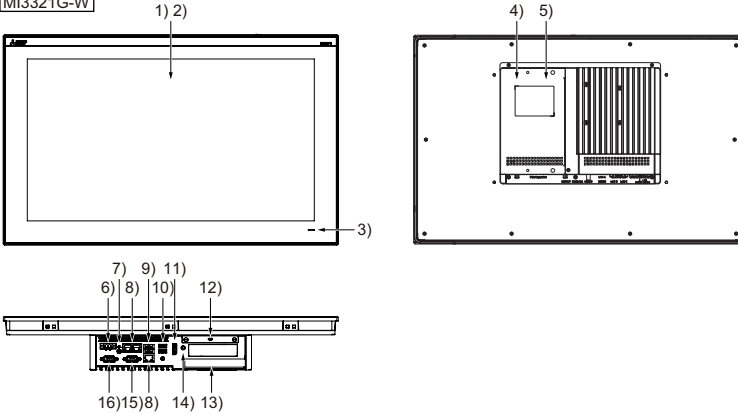
Make sure to check that all the following parts are included before using the product.

Product name	Quantity	
	MI3321G-W	MI3315G-W
MELIPC	1	1
FG cable	1	1
Power connector	1	1
Mounting bracket	12	10
Spare screw (M3 × 4L)	4	4
Safety Guidelines (this manual)	1	1
SLMP data collector license agreement	1	1
CC-Link IE TSN Communication Software License Application Instructions	1	1
Edgecross license agreement	1	1
End-user software license agreement (SLMP Data Collector, CC-Link IE TSN Communication Software)	1	1
Declaration for China restriction of hazardous substances	1	1

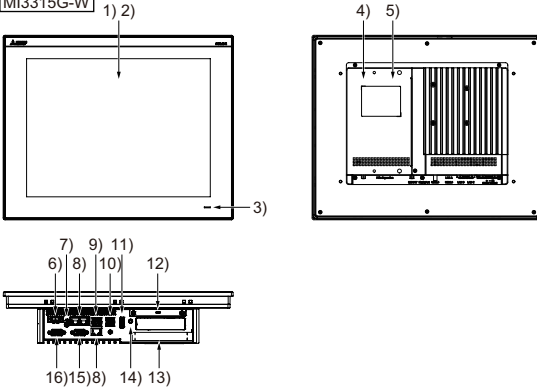
2 PARTS NAMES

The following shows the parts names of MI3321G-W and MI3315G-W.

MI3321G-W



MI3315G-W



No.	Name	Description
1)	Display section	For the screen display
2)	Touch panel	For the screen touch operation
3)	POWER LED	Lit in blue: Power is properly supplied Lit in orange: Standby Not lit: Power is not supplied
4)	M.2(2280) SATA interface	For M.2(2280) SATA installation
5)	mini PCI Express interface	For expansion board installation mini PCI Express (full size)
6)	Power supply terminal	Power supply input terminal, FG terminal
7)	Ground terminal	For grounding
8)	Ethernet interface (LAN A, LAN B, LAN C)	Connector shape: RJ45 (modular jack)
9)	USB interface	USB version: USB 2.0 Connector shape: Type-A
10)	USB interface	USB version: USB 3.0 Connector shape: Type-A
11)	DisplayPort interface	For external monitor output
12)	SATA interface	For the 2.5 inch SSD (occupied)
13)	PCI Express interface	For expansion board installation PCI Express (half size)
14)	Sound output interface	For sound output (Ø3.5 mini jack (3-prong))
15)	RS-232 interface	Connector shape: D-sub 9-pin (male)
16)	RS-232/RS-422/RS-485 interface	Connector shape: D-sub 9-pin (male) Specify a connection type with the BIOS.

3 SPECIFICATIONS

3.1 General Specifications

Item		Specifications	
		MI3321G-W	MI3315G-W
Operating ambient temperature <i>Température ambiante de fonctionnement</i>		0 to 55°C 0 à 55 °C	
Storage ambient temperature		-20 to 60°C	
Operating ambient humidity		10% RH to 90% RH, non-condensing	
Storage ambient humidity		10% RH to 90% RH, non-condensing	
Vibration resistance	Random vibration	IEC 60068-2-64 5 to 500 Hz, 1 hour per axis (X, Y, and Z)	
		3Grms	
Shock resistant		IEC 60068-2-27 10 G, half-sine wave, 11 msec	
Operating atmosphere		Neither greasy fumes, corrosive gas, flammable gas, excessive conductive dust, nor direct sunlight (as well as at storage)	
Overvoltage category ^{*1}		II or less	
Pollution level ^{*2}		2 or less	
Cooling method		Self-cooling	
Grounding		Grounding (ground resistance: 100 Ω or less, cross-sectional area of the ground cable: 2.0 mm ² or more)	

*1 This indicates the power distribution section to which the product is assumed to be connected, between the public power grid and the machinery within the premises.

Category II applies to equipment that is supplied with power from fixed facilities.

The withstand surge voltage is 2500 V for the equipment with the rated voltage up to 300 V.

*2 This indicates the extent to which conductive substances are found in the operating environment of the product.

Pollution level 2 indicates an environment in which normally only nonconductive pollution occurs and the temporary conductivity caused by condensation is to be expected.

3.2 Performance specifications

Item		Specifications	
		MI3321G-W	MI3315G-W
External dimensions		349.8(13.77)(H) × 558.4(21.98)(W) × 88.8(3.50)(D) mm(inch)	307.3(12.10) (H) × 383.2(15.09)(W) × 86(3.39)(D) mm(inch)
Panel cutting dimensions		341.8(13.46)(H) × 550.3(21.67)(W) mm(inch)	
Weight		9.8(21.6) kg(lb)	7.0(15.4) kg(lb)

For the performance specifications other than those mentioned above, refer to the MELIPC MI3000 User's Manual.

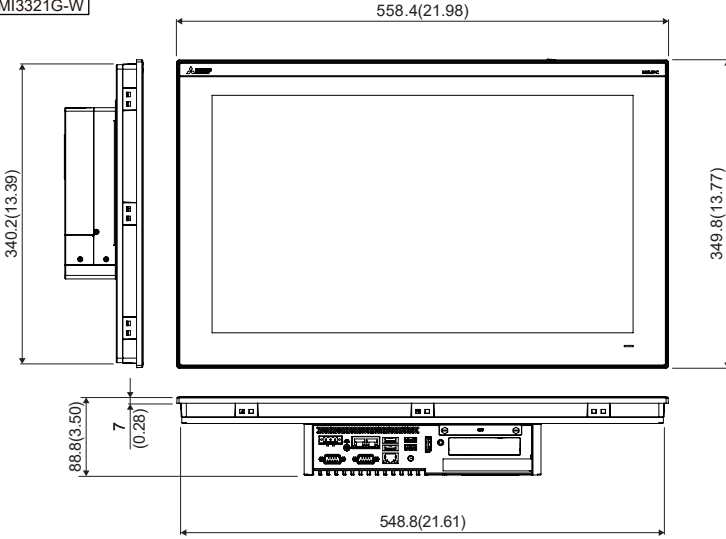
3.3 Power supply specifications

The following shows the power supply specifications of this product.

Item		Specifications	
		MI3321G-W	MI3315G-W
Rated input voltage		24 V DC	
Input voltage variable range		19.2 to 28.8 V DC	
Power consumption	Under the maximum load	90 W	
	Stand alone	27 W	
Applicable wire size		Single wiring (single wire, stranded wire): 0.2 to 2.5 mm ² (AWG24 to AWG14) Rod terminal with an insulation sleeve: 0.25 to 2.5 mm ² (AWG22 to AWG14) Double wiring (single wire, stranded wire): 0.2 to 1.5 mm ² (AWG24 to AWG16)	
Applicable solderless terminal		DN00508D (AWG20), DN00708D (AWG18), DN01508D (AWG16) (manufactured by DINKLE) Crimp tool: DNT13-0101 (manufactured by DINKLE)	
Applicable tightening torque (for terminal block terminal screws)		0.20 N·m (M2.5)	

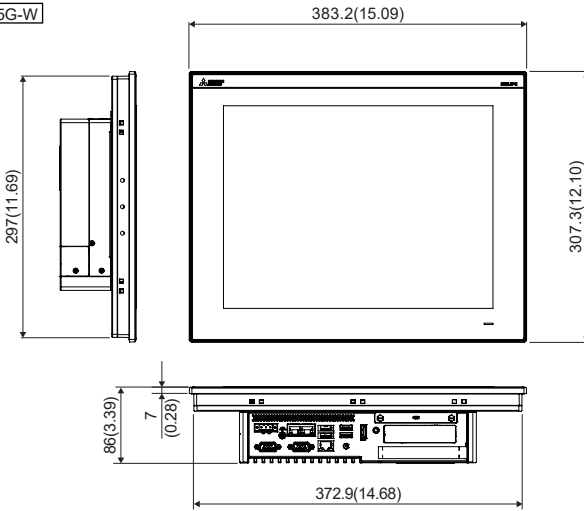
3.4 External Dimensions

MI3321G-W



Unit : mm (inch)

MI3315G-W



Unit : mm (inch)

4 EMC DIRECTIVE

For the products to be sold in European countries, conformance to the EMC Directive, which is one of the European Directives, has been mandatory as the EMC standards since 1996.

In European countries, if a product meets the requirements of the EMC Directive, the manufacturer of the product must declare conformity of the product and affix the "CE mark" to the product.

In some countries or regions other than European countries, the product's manufacturer also must declare conformity of the product and affix a designated mark to the product (example: UKCA mark in the UK).

The authorized representative in the EU and the UK is shown below.

Company: Mitsubishi Electric Europe B.V.

Address: Mitsubishi-Electric-Platz 1, 40882 Ratingen, Germany

This section describes the EMC Directive as an example for conformance to EMC standards. EMC standards in each country are stipulated to be consistent with the corresponding international standards. When the requirements are consistent, common measures are taken to conform to the standards in different countries.

For the EMC Directive, regulatory compliance with equivalent EMC standards is required for example in the UK and Korea.

4.1 Requirements for Compliance with the EMC Directive

The EMC Directive sets requirements for emission (conducted and radiated electromagnetic interference emitted by a product) and immunity (the ability of a product not to be influenced by externally generated electromagnetic interference).

This product complies with the EMC Directive related standards as follows.

The manufacturer of the machinery must determine the testing method for compliance and declare conformity to the EMC Directive.

4.2 EMC Directive Related Standards

Item	Standards
Emission	EN55011:2016 +A1:2017 Group 1, Class A EN55032:2015 +AC:2016 Class A CISPR32:2015 +C1:2016 Class A EN61000-6-4:2007 +A1:2011
Immunity	EN55024:2010 +A1:2015 EN IEC 61000-6-2:2019 EN55035:2017 +A11:2020

4.3 Installation to Control Panel

This product is an open type device (device built into another device) and must be installed in the control panel. It not only assure the safety but also has a large effect to shut down the noise generated from the product, on the control panel.

Control panel

- The control panel must be conductive.
- When fixing a top or bottom plate of the control panel with bolts, do not coat the plate and bolt surfaces so that they will come into contact. And connect the door and box using a thick grounding cable in order to ensure the low impedance under high frequency.
- When using an inner plate to ensure electric conductivity with the control panel, do not coat the fixing bolt area to ensure conductivity in the largest area as possible.
- Ground the control panel using a thick grounding cable in order to ensure the low impedance under high frequency.
- The diameter of cable holes in the control panel must be 10 cm (3.94 inch) or less.

Otherwise, radio waves may leak.

Since the radio waves leak through the space between the control panel and its door, reduce as much as space as possible.

By pasting the EMI gasket directly on the painted surface to seal the space, leak of radio waves can be suppressed.

A test has been carried out by Mitsubishi on a panel having the damping characteristics of 52 dB max. and 37 dB mean (measured by 3 m method with 30 to 300 MHz).

Connection of power and ground cables

- Provide a grounding point near the product. Short-circuit the FG terminal of the product (FG: frame ground) and ground it with the thickest and shortest cable possible. (The cable length must be 30 cm (11.81 inch) or shorter.) As the FG terminal transmits the noise generated in the product to the ground, ensure the lowest impedance possible accordingly.
As the wires are used to relieve the noise, the wire itself carries a large noise content and thus short wiring means that the wire is prevented from acting as an antenna.
Note) A long conductor will become a more efficient antenna that emits noise.
- Twist the ground cable led from the ground point with the power cable.
Doing so can relieve the noise issued through the power cable to the ground widely.

4.4 Noise Filter (Power Supply Line Filter)

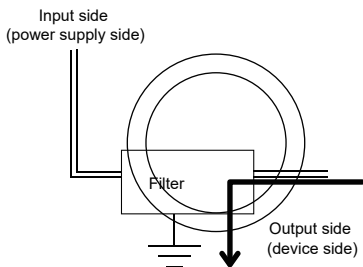
A noise filter is a component which has an effect on conducted noise. Although installing a noise filter on the power supply cable is not mandatory, doing so can suppress a larger amount of noise. (The noise filter is generally effective for reducing conducted noise in the band of 10 MHz or less.) Use the filters equivalent to the following filters.

Model name	RSMN-2006	NBH-06-432
Manufacturer	TDK-Lambda	COSEL
Rated current	6 A	
Rated voltage	250 V	

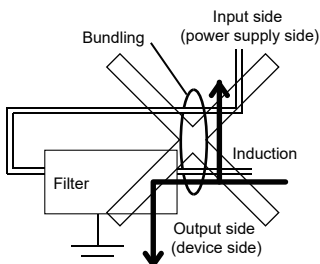
The precautions when attaching a noise filter are described below.

- Do not run the input and output cables of the noise filter together. Doing so inducts the output side noise into the input side cable where noise has been eliminated by the noise filter.

Wire the input and output cables separately.



Bundling the input and output cables inducts noise.



- Connect the ground terminal of the noise filter to the control panel with the shortest cable as possible (approx. 10 cm (3.94 inch.)).

5 INSTALLATION

5.1 Control Panel Inside Dimensions for Installation

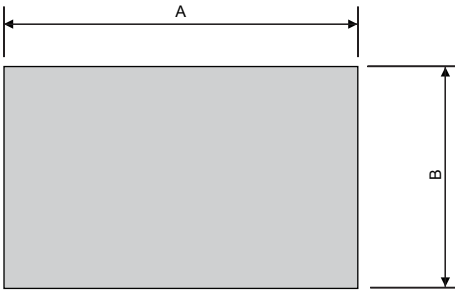
Install this product with consideration of the control panel inside dimensions and installation prohibited area.

Point

Connection cable

Some cables used for the product require the distance more than the described dimensions. Install the product with consideration of the connector dimensions and the cable bend radius.

5.2 Panel Cutting Dimensions



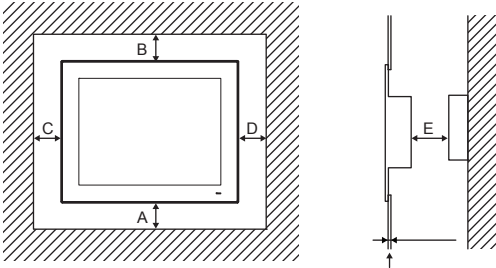
*Panel thickness:
2 to 6 mm (0.08 to 0.24 inch)

Unit: mm (inch)

MELIPC	A	B
MI3321G-W	550.3(21.67) (+0.75(0.03), -0.75(0.03))	341.8(13.46) (+0(0), -0.8(0.03))
MI3315G-W	374.5(14.74) (+0.75(0.03), -0.75(0.03))	298.5(11.75) (+0(0), -0.8(0.03))

5.3 Installation Position

For the installation, the product requires the distance from the structure or other devices as shown below.



Panel thickness:
2 to 6 mm (0.08 to 0.24 inch)

Unit: mm (inch)

Item	MI3321G-W	MI3315G-W
A	20(0.79)	
B	20(0.79)	
C	20(0.79)	
D	20(0.79)	
E	3(0.12)	

5 INSTALLATION

5.1 Dimensions intérieures du tableau de commande pour l'installation

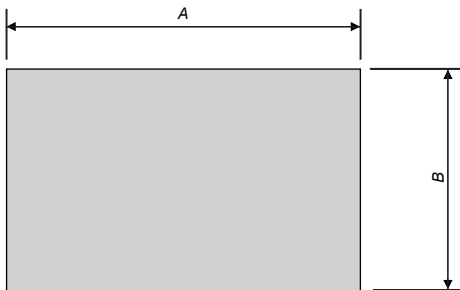
Installez le produit en concernant les dimensions intérieures du tableau de commande et les zones où l'installation est interdite. N'installez pas le produit dans des zones où l'installation est interdite.

Point

Câble applicable

Certains câbles peuvent être plus longs que les dimensions spécifiées lors de la connexion au produit. Par conséquent, prenez également en compte les dimensions du connecteur et le rayon de courbure du câble pour l'installation.

5.2 Cotes de découpe du panneau



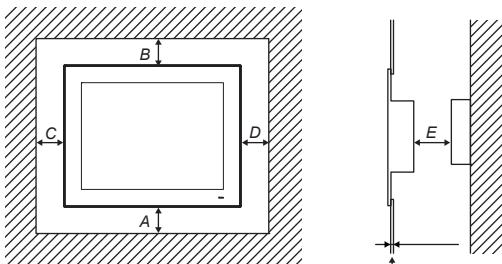
*Épaisseur du panneau :
2 à 6 mm (0,08 à 0,24 pouce)

Unité : mm (pouce)

MELIPC	A	B
MI3321G-W	550.3(21.67) (+0.75(0.03), -0.75(0.03))	341.8(13.46) (+0(0), -0.8(0.03))
MI3315G-W	374.5(14.74) (+0.75(0.03), -0.75(0.03))	298.5(11.75) (+0(0), -0.8(0.03))

5.3 Position de l'installation

Lors de l'installation du produit, laissez les espaces suivants pour les autres structures et dispositifs.



Épaisseur du panneau :
2 à 6 mm (0,08 à 0,24 pouce)

Unité : mm (pouce)

Article	MI3321G-W	MI3315G-W
A	20(0.79)	
B	20(0.79)	
C	20(0.79)	
D	20(0.79)	
E	3(0.12)	

6 BATTERIES IN EU MEMBER STATES

This chapter explains the precautions for disposing of waste batteries in EU member states and for exporting batteries and devices with built-in batteries to EU member states.

Disposal precautions

EU member states have a separate collection system for waste batteries. Dispose of batteries properly at the local community waste collection/recycling center.

The following symbol is printed on batteries and packaging of devices with built-in batteries.

This symbol indicates that batteries need to be disposed of separately from other wastes.



The symbol is valid in the EU member states only. The symbol is specified in Article 20 "Information for end-users" and ANNEX II of the new EU Battery Directive (2006/66/EC).

Transportation precautions

The new EU Battery Directive (2006/66/EC) requires the following when batteries and/or devices with built-in batteries are sold and exported to EU member states.

- To print the symbol on batteries, devices, or their packaging
- To explain the symbol in the manuals of the products

■ Labelling the symbol

To market or export batteries and/or devices with built-in batteries, which have no symbol, to EU member states, print the symbol as shown above on the device or its packaging.

■ Attaching explanatory note to the manual

To export devices incorporating this product to EU member states, provide the latest manuals of this product (Safety Guidelines, MELIPC MI3000 User's Manual) that include the explanation of the symbol mark.

If manuals of this product (Safety Guidelines, MELIPC MI3000 User's Manual) are not provided, separately attach an explanatory note regarding the symbol mark to each manual of the devices.

7 PRECAUTIONS FOR BATTERY TRANSPORTATION

When transporting lithium batteries, follow the transportation regulations.
For details on the regulations, refer to the following Mitsubishi Technical News.
Precautions for transportation regulations on lithium batteries (FA-A-0259)

Regulated models

The battery for this product is classified as shown below.

Model	Product type	Lithium content	Battery weight	Classification for transportation
BR2032	Lithium metal battery	0.06 g	2.5 g	Non-dangerous goods

Transport guidelines

Products are packed in compliance with the transportation regulations prior to shipment. When repacking any of the unpacked products for transportation, make sure to observe the IATA Dangerous Goods Regulations, IMDG (International Maritime Dangerous Goods) Code, and other local transportation regulations.

For details, please consult the shipping carrier used.

7.1 Perchlorate Regulation in the State of California, USA

California law requires that warning text be displayed on packaging for products incorporating lithium primary batteries containing more than 6 ppb of perchlorate. However, the battery for this product does not contain perchlorate.

Therefore, the customer will not be required for any special measure.

8 APPENDICES

8.1 Labelling Based on Taiwan RoHS (Restriction of Hazardous Substances)

限用物質含有情況標示聲明書

Declaration of the Presence Condition of the Restricted Substances Marking

設備名稱: 電腦 Equipment name	型號(型式): MI3321G-W · MI3315G-W(系列型號參見說明書) Type designation(Type)					
單元 Unit	限用物質及其化學符號 Restricted substances and its chemical symbols					
	鉛 Lead (Pb)	汞 Mercury (Hg)	鎘 Cadmium (Cd)	六價鉻 Hexavalent chromium (Cr ⁺⁶)	多溴聯苯 Polybrominated biphenyls (PBB)	多溴二苯醚 Polybrominated diphenyl ethers (PBDE)
電路板	-	○	○	○	○	○
面板	-	○	○	○	○	○
內外殼 (外殼、內部框架...等)	-	○	○	○	○	○
其它固定組件 (螺絲、夾具、卡榫)	-	○	○	○	○	○
配件(線材)	-	○	○	○	○	○
記憶卡	-	○	○	○	○	○

備考1: "超出0.1wt%"及"超出0.01wt%"係指限用物質之百分比含量超出百分比含量基準值。

Note 1: "Exceeding 0.1 wt%" and "exceeding 0.01 wt%" indicate that the percentage content of the restricted substance exceeds the reference percentage value of presence condition.

備考2: "○"係指該項限用物質之百分比含量未超出百分比含量基準值。

Note 2: "○" indicates that the percentage content of the restricted substance does not exceed the percentage of reference value of presence.

備考3: "-"係指該項限用物質為排除項目。

Note 3: The "-" indicates that the restricted substance corresponds to the exemption.

8.2 Labelling Based on Standardization Law of the People's Republic of China

基于中国标准法的参考规格: GB4943.1

REVISIONS

*The manual number is given on the bottom left of the front cover.

Revision date	Manual number	Description
Jan. 2019	IB(NA)-0800622-A	First edition
Aug. 2020	IB(NA)-0800622-B	Partial corrections
Oct. 2020	IB(NA)-0800622-C	Corrected: External dimension drawings.
Apr. 2022	IB(NA)-0800622-D	<ul style="list-style-type: none">• Added: CC-Link IE TSN Communication Software License Application Instructions to packing list• Partial corrections

This manual confers no industrial property rights of any other kind, nor does it confer any patent licenses. Mitsubishi Electric Corporation cannot be held responsible for any problems involving industrial property rights which may occur as a result of using the contents noted in this manual.

© 2019 MITSUBISHI ELECTRIC CORPORATION

WARRANTY

Please confirm the following product warranty details before using this product.

1. Gratis Warranty Term and Gratis Warranty Range

If any faults or defects (hereinafter "Failure") found to be the responsibility of Mitsubishi Electric occurs during use of the product within the gratis warranty term, the product shall be repaired at no cost via the sales representative or Mitsubishi Electric Service Company. However, if repairs are required onsite at domestic or overseas location, expenses to send an engineer will be solely at the customer's discretion. Mitsubishi Electric shall not be held responsible for any re-commissioning, maintenance, or testing on-site that involves replacement of the failed module.

[Gratis Warranty Term]

The gratis warranty term of the product shall be for eighteen (18) months after the date of purchase or delivery to a designated place.

Note that after manufacture and shipment from Mitsubishi Electric, the maximum distribution period shall be six (6) months, and the longest gratis warranty term after manufacturing shall be twenty-four (24) months. The gratis warranty term of repair parts shall not exceed the gratis warranty term before repairs.

[Gratis Warranty Range]

- (1) The customer shall be responsible for the primary failure diagnosis unless otherwise specified.
If requested by the customer, Mitsubishi Electric Corporation or its representative firm may carry out the primary failure diagnosis at the customer's expense.
The primary failure diagnosis will, however, be free of charge should the cause of failure be attributable to Mitsubishi Electric Corporation.
- (2) The range shall be limited to normal use within the usage state, usage methods, and usage environment, etc., which follow the conditions and precautions, etc., given in the instruction manual, user's manual and caution labels on the product.
- (3) Even within the gratis warranty term, repairs shall be charged in the following cases.
 1. Failure occurring from inappropriate storage or handling, carelessness or negligence by the user. Failure caused by the user's hardware or software design.
 2. Failure caused by unapproved modifications, etc., to the product by the user.
 3. When the Mitsubishi Electric product is assembled into a user's device, Failure that could have been avoided if functions or structures, judged as necessary in the legal safety measures the user's device is subject to or as necessary by industry standards, had been provided.
 4. Failure that could have been avoided if consumable parts designated in the instruction manual had been correctly serviced or replaced.
 5. Replacing consumable parts such as a battery, relay, and fuse.
 6. Failure caused by external irresistible forces such as fires or abnormal voltages, and Failure caused by force majeure such as earthquakes, lightning, wind and water damage.
 7. Failure caused by reasons that could not be predicted by scientific technology standards at the time of shipment from Mitsubishi Electric.
 8. Any other failure found not to be the responsibility of Mitsubishi Electric or that admitted not to be so by the user.

2. Onerous repair term after discontinuation of production

- (1) Mitsubishi Electric shall accept onerous product repairs for five (5) years after production of the product is discontinued. Discontinuation of production shall be notified with Mitsubishi Electric Technical Bulletins, etc.
- (2) Mitsubishi Electric shall not accept a request for product supply (including spare parts) after production is discontinued.

3. Overseas service

Overseas, repairs shall be accepted by Mitsubishi Electric's local overseas FA Center.

Note that the repair conditions at each FA Center may differ.

4. Exclusion of loss in opportunity and secondary loss from warranty liability

Regardless of the gratis warranty term, Mitsubishi Electric shall not be liable for compensation to:

- (1) Damages caused by any cause found not to be the responsibility of Mitsubishi Electric.
- (2) Loss in opportunity, lost profits incurred to the user by Failures of Mitsubishi Electric products.
- (3) Special damages and secondary damages whether foreseeable or not, compensation for accidents, and compensation for damages to products other than Mitsubishi Electric products.
- (4) Replacement by the user, maintenance of on-site equipment, start-up test run and other tasks.

5. Changes in product specifications

The specifications given in the catalogs, manuals or technical documents are subject to change without prior notice.

LABELLING BASED ON LOCAL ELECTROMAGNETIC INTERFERENCE LAWS

Federal Communications Commission (FCC) Statement

This equipment has been tested and complies with the limits for a Class A digital device, pursuant to Part 15 of the FCC Rules. These limits are designed to provide reasonable protection against harmful interference when the equipment is operated in a commercial environment. This equipment generates, uses, and can radiate radio frequency energy and, if not installed and used in accordance with the instruction manual, may cause harmful interference to radio communications.

Operation of this equipment in a residential area is likely to cause harmful interference, in which case the user will be required to correct the interference at his own expense.

CE Statement

This is a Class A product. In domestic environment this product may cause radio interference in which case the user may be required to take adequate measures.

CCC Statement / CCC认证 警告

此为A级产品，在生活环境中，该产品可能会造成无线电干扰。
在这种情况下，可能需要用户对干扰采取切实可行的措施。

BSMI Statement / BSMI警告

這是甲類的資訊產品，在居住的環境中使用時，可能會造成射頻干擾，在這種情況下，使用者會被要求採取某些適當的對策。

KC Statement

기종별	사용자안내문
A 급 기기	이 기기는 업무용(A 급)으로 전자파적합등록을 한 기기이오니 판매자 또는 사용자는 이 점을 주의하시기 바라며, 가정외의 지역에서 사용하는 것을 목적으로 합니다.

Intellectual Property Rights

■Trademarks

Microsoft and Windows are registered trademarks or trademarks of Microsoft Corporation in the United States and other countries.

Intel and Intel Core are trademarks or registered trademarks of Intel Corporation in the United States and other countries.

DisplayPort is a trademark or registered trademark of Video Electronics Standards Association in the United States and other countries.

PCI Express is a registered trademark of PCI-SIG.

Names mentioned herein, such as company, system, and product names, are registered trademarks or trademarks of their respective companies.

■Copyrights

The screens (screenshots) are used in accordance with the Microsoft Corporation guideline.

Country/ Region	Sales office/ Tel	Country/ Region	Sales office/ Tel
USA	Mitsubishi Electric Automation, Inc. 500 Corporate Woods Parkway, Vernon Hills, IL 60061, U.S.A. Tel: +1-847-478-2100	South Africa	Adroit Technologies 20 Waterford Office Park, 189 Witkoppen Road, Fourways, South Africa Tel: +27-11-658-8100
Brazil	Mitsubishi Electric do Brasil Comercio e Servicos Ltda. Avenida Adelino Cardana, 293, 21 andar, Bethaville, Barueri SP, Brazil Tel: +55-11-4689-3000	China	Mitsubishi Electric Automation (China) Ltd. Mitsubishi Electric Automation Center, No.1386 Hongqiao Road, Shanghai, China Tel: +86-21-2322-3030
Mexico	Mitsubishi Electric Automation, Inc. Mexico Branch Boulevard Miguel de Cervantes Saavedra 301, Torre Norte Piso 5, Ampliacion Granada, Miguel Hidalgo, Ciudad de Mexico, Mexico, C.P.11520 Tel: +52-55-3067-7512	Taiwan	SETSUYO ENTERPRISE CO., LTD. 6F, No.105, Wugong 3rd Road, Wugu District, New Taipei City 24889, Taiwan Tel: +886-2-2299-2499
Germany	Mitsubishi Electric Europe B.V. German Branch Mitsubishi-Electric-Platz 1, 40882 Ratingen, Germany Tel: +49-2102-486-0	Korea	Mitsubishi Electric Automation Korea Co., Ltd. 7F, No.105, Gangseo 3rd Road, Xi-tower A, 401, Yangcheon-ro, Gangseo-Gu, Seoul 07528, Korea Tel: +82-2-3660-9569
UK	Mitsubishi Electric Europe B.V. UK Branch Travellers Lane, UK-Hatfield, Hertfordshire, AL10 8XB, U.K. Tel: +44-1707-28-8780	Singapore	Mitsubishi Electric Asia Pte. Ltd. 307 Alexandra Road, Mitsubishi Electric Building, Singapore 159943 Tel: +65-6473-2308
Italy	Mitsubishi Electric Europe B.V. Italian Branch Centro Direzionale Colleoni - Palazzo Sirio, Viale Colleoni 7, 20864 Agrate Brianza (MB), Italy Tel: +39-039-60531	Thailand	Mitsubishi Electric Factory Automation (Thailand) Co., Ltd. 12th Floor, SV.City Building, Office Tower 1, No. 896/19 and 20 Rama 3 Road, Kwaeng Bangpompang, Khet Yannawa, Bangkok 10120, Thailand Tel: +66-2682-6522 to 31
Spain	Mitsubishi Electric Europe B.V. Spanish Branch Carretera de Rubi, 76-80-Appdo. 420, E-08190 Sant Cugat del Valles (Barcelona), Spain Tel: +34-935-65-3131	Indonesia	PT. Mitsubishi Electric Indonesia Gedung Jaya 8th Floor, JL. MH. Thamrin No.12, Jakarta Pusat 10340, Indonesia Tel: +62-21 3192-6461
France	Mitsubishi Electric Europe B.V. French Branch 25, Boulevard des Bouvets, 92741 Nanterre Cedex, France Tel: +33-1-55-68-55-68	Vietnam	Mitsubishi Electric Vietnam Company Limited 11th & 12th Floor, Viettel Tower B, 285 Cach Mang Thang 8 Street, Ward 12, District 10, Ho Chi Minh City, Vietnam. Tel: +84-28-3910-5945
Czech	Mitsubishi Electric Europe B.V. Czech Branch Pekarska 621/7, 155 00 Praha 5, Czech Republic Tel: +420-255 719 200	India	Mitsubishi Electric India Pvt. Ltd. Pune Branch Emerald House, EL-3, J Block, M.I.D.C., Bhosari, Pune - 411026, Maharashtra, India Tel: +91-20-2710-2000
Turkey	Mitsubishi Electric Turkey A.S. Umraniye Branch Serifali Mahallesi Nutuk Sokak No:5, TR-34775 Umraniye / Istanbul, Turkey Tel: +90-216-526-3990	Australia	MITSUBISHI ELECTRIC AUSTRALIA PTY. LTD. 348 Victoria Road, P.O. Box 11, Rydalmere, N.S.W 2116, Australia Tel: +61-2-9684-7777
Poland	Mitsubishi Electric Europe B.V. Polish Branch ul. Krakowska 48, 32-083 Balice, Poland Tel: +48-12-347-65-00		
Russia	Mitsubishi Electric (Russia) LLC St. Petersburg Branch Piskarevsky pr. 2, bld 2, lit "Sch", BC "Benua", office 720; 195027 St. Petersburg, Russia Tel: +7-812-633-3497		

MITSUBISHI ELECTRIC CORPORATION

HEAD OFFICE : TOKYO BUILDING, 2-7-3 MARUNOUCHI, CHIYODA-KU, TOKYO 100-8310, JAPAN
NAGOYA WORKS : 1-14, YADA-MINAMI 5-CHOME, HIGASHI-KU, NAGOYA, JAPAN

When exported from Japan, this manual does not require application to the Ministry of Economy,
Trade and Industry for service transaction permission.

Specifications subject to change without notice.
Printed in Japan, April 2022.