

GOT2000 Series Special Fitting for Compliance with ATEX Directive and KCs Regulation User's Manual

**GT25-12FIT-EXS
GT25-10FIT-EXS**

Thank you for purchasing Mitsubishi Electric Graphic Operation Terminal.

Prior to use, please read both this manual and detailed manual thoroughly to fully understand the product.

MODEL	GT25-FITEXS-U-JE
MODEL CODE	1D7MR1
IB(NA)-0800559-D(2307)MEE	

GRAPHIC OPERATION TERMINAL
GOT2000

© 2016 MITSUBISHI ELECTRIC CORPORATION

SAFETY PRECAUTIONS

(Always read these precautions before using this equipment.)

Before using this product, please read this manual and the relevant manuals introduced in this manual carefully and pay full attention to safety to handle the product correctly.

The precautions given in this manual are concerned with this product. In this manual, the safety precautions are ranked as "WARNING" and "CAUTION".

WARNING Indicates that incorrect handling may cause hazardous conditions, resulting in death or severe injury.

CAUTION Indicates that incorrect handling may cause hazardous conditions, resulting in medium or slight personal injury or physical damage.

Note that the CAUTION level may lead to a serious accident according to the circumstances.

Always follow the precautions of both levels because they are important to personal safety.

Please save this manual to make it accessible when required and always forward it to the end user.

INSTALLATION PRECAUTIONS

CAUTION

- Be sure to shut off all phases of the external power supply used by the system before mounting or removing the GOT main unit from the panel. Not doing so can cause the unit to fail or malfunction.

CAUTION

- When mounting the GOT on the control panel, use a Phillips-head screwdriver No. 2 to tighten mounting screws within the specified torque range as shown below.
 - For standard fittings : 0.36 N·m to 0.48 N·m
 - For special fittings A and B : 0.42 N·m to 0.48 N·m
- Under-tightening can cause the GOT to drop, short circuit or malfunction. Over-tightening can cause a drop, short circuit or malfunction due to the damage of the screws or the GOT.

DISPOSAL PRECAUTIONS

CAUTION

- Dispose of this product as industrial waste.

TRANSPORTATION PRECAUTIONS

CAUTION

- When fumigants that contain halogen materials such as fluorine, chlorine, bromine, and iodine are used for disinfecting and protecting wooden packaging from insects, they cause malfunction when entering our products. Please take necessary precautions to ensure that remaining materials from fumigant do not enter our products, or treat packaging with methods other than fumigation (heat method). Additionally, disinfect and protect wood from insects before packing products.

Manual

The following shows the manual relevant to this product.

Manual name	Manual number (Model code)
GOT2000 Series User's Manual (Hardware) (Sold separately)	SH-081194ENG (1D7MJ5)

For the latest e-Manuals and PDF manuals, consult your local sales office.

Referenced Standard: GB/T15969.2
(Requirement of Chinese standardized law)

Packing List

After unpacking the box, check that the following products are included.

Model	Product	Quantity
GT25-12FIT-EXS	Special fitting A (BD808D084)	3
	Special fitting B (BD808D191)	1
GT25-10FIT-EXS	GOT2000 Series Special Fitting for Compliance with ATEX Directive and KCs Regulation User's Manual (This manual)	1
	Special fitting A (BD808D084)	2
GT25-10FIT-EXS	GOT2000 Series Special Fitting for Compliance with ATEX Directive and KCs Regulation User's Manual (This manual)	1
	Special fitting A (BD808D084)	1

Four standard fittings are included with the GOT.

1. OVERVIEW

This user's manual describes the special fittings used for the GOT to comply with the ATEX directive and KCs regulation.

The following shows the special fitting models and applicable GOTs.

Model	Screen sizes	Applicable GOTs
GT25-12FIT-EXS	12.1"	GT2712-STWD
GT25-10FIT-EXS	10.4"	GT2710-VTWD, GT2510-VTWD

The special fittings are used together with the standard fittings to fix the GOT.

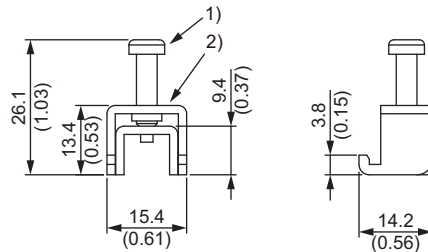
2. PECIFICATIONS

The following shows the performance specifications of the special fittings. The general specifications of the special fittings are the same as those of the GOT. For the general specifications of the GOT, refer to the GOT2000 Series User's Manual (Hardware).

Item	Description	
Material	SPHC-P t2.0	
Mounting screw size	For special fitting A	M4 × 17
	For special fitting B	M4 × 15
Weight	GT25-12FIT-EXS	0.04kg
	GT25-10FIT-EXS	0.02kg

3. EXTERNAL DIMENSIONS

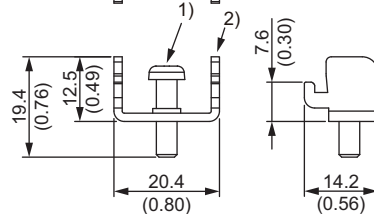
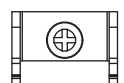
3.1 Special Fitting A



Unit : mm (inch)

No.	Name	Description
1)	Mounting screw	For fixing the GOT to the control panel
2)	Fitting	For fixing the GOT to the control panel

3.2 Special Fitting B



Unit : mm (inch)

No.	Name	Description
1)	Mounting screw	For fixing the GOT to the control panel
2)	Fitting	For fixing the GOT to the control panel

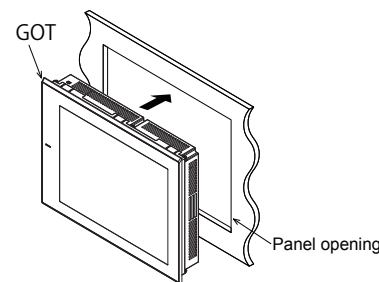
4. INSTALLATION AND REMOVAL PROCEDURE

4.1 Installing the Special Fitting

Install the GOT in the following procedure. For the panel cutting dimensions, refer to the GOT2000 Series User's Manual (Hardware).

The following shows an installation example for the horizontal direction. For the vertical installation, install the GOT so that the vertical installation arrow printed on the GOT rear face points upward.

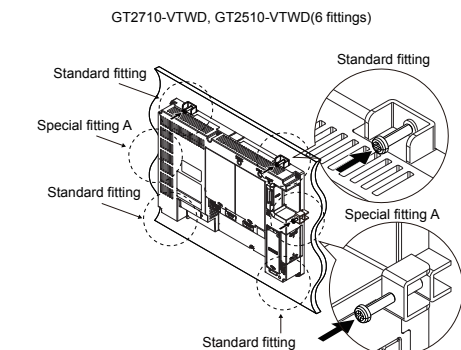
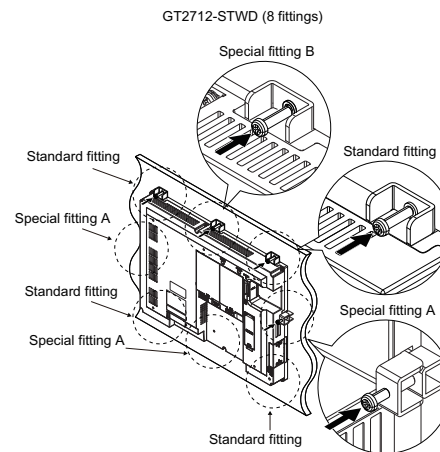
- 1) Insert the GOT into the panel opening.



- 2) Align the fittings with the installation holes on the GOT, and install the fittings. Fasten the fittings in the following order.
 - GT2712-STWD
 - Standard fitting → special fitting A → special fitting B
 - GT2710-VTWD, GT2510-VTWD
 - Standard fitting → special fitting A

Use a Phillips-head screwdriver No. 2 to tighten the mounting screws within the specified torque range as shown below.

- For standard fittings : 0.36 N·m to 0.48 N·m
 - For special fittings A and B : 0.42 N·m to 0.48 N·m
- Over-tightening may cause the GOT front panel to deform, resulting in the protective sheet wrinkles.



4.2 Removing the Special Fitting

Remove the special fittings in the reverse of the installation procedure.

Warranty

Mitsubishi Electric will not be held liable for damage caused by factors found not to be the cause of Mitsubishi Electric; machine damage or lost profits caused by faults in the Mitsubishi Electric products; damage, secondary damage, accident compensation caused by special factors unpredictable by Mitsubishi Electric; damages to products other than Mitsubishi Electric products; and to other duties.

For safe use

- This product has been manufactured as a general-purpose part for general industries, and has not been designed or manufactured to be incorporated in a device or system used in purposes related to human life.
- Before using the product for special purposes such as nuclear power, electric power, aerospace, medicine or passenger movement vehicles, consult with Mitsubishi Electric.
- This product has been manufactured under strict quality control. However, when installing the product where major accidents or losses could occur if the product fails, install appropriate backup or failsafe functions in the system.

Sales office/Tel

Americas
Mitsubishi Electric Automation, Inc. 500 Corporate Woods Parkway, Vernon Hills, IL 60061, U.S.A. Tel: +1-847-478-2100
Mitsubishi Electric do Brasil Comercio e Servicos Ltda. Avenida Adolmo Cardano, 293, 21 andar, Bethaville, Barueri SP, Brazil Tel: +55-11-4689-3000
Mitsubishi Electric Automation, Inc. Mexico Branch Boulevard Miguel de Cervantes Saavedra 301, Torre Norte Piso 5, Ampliacion Granada, Miguel Hidalgo, Ciudad de Mexico, Mexico, C.P.11520 Tel: +52-55-3067-7512
Europe
Mitsubishi Electric Europe B.V. German Branch Mitsubishi-Electric-Platz 1, 40882 Ratingen, Germany Tel: +49-2102-486-0
Mitsubishi Electric Europe B.V. UK Branch Travellers Lane, UK-Hatfield, Hertfordshire, AL10 8XB, U.K. Tel: +44-1707-28-8780
Mitsubishi Electric Europe B.V. Italian Branch Centro Direzionale Colleoni - Palazzo Sirio, Viale Colleoni 7, 20864 Agrate Brianza (MB), Italy Tel: +39-039-80531
Mitsubishi Electric Europe B.V. Spanish Branch Carretera de Rubi, 76-80-Appdo. 420, E-08190 Sant Cugat del Valles (Barcelona), Spain Tel: +34-935-65-3131
Mitsubishi Electric Europe B.V. French Branch 25, Boulevard des Bouvets, 92741 Nanterre Cedex, France Tel: +33-1-55-68-55-68
Mitsubishi Electric Europe B.V. Czech Branch Pakarska 62/17, 155 00 Praha 5, Czech Republic Tel: +420-255 719 200
Mitsubishi Electric Turkey A.S. Umranliye Branch Serifali Mahallesi Nutuk Sokak No.5, TR-34775 Umranliye / Istanbul, Turkey Tel: +90-216-526-3990
Mitsubishi Electric Europe B.V. Polish Branch ul. Krakowska 48, 32-063 Balice, Poland Tel: +48-12-347-65-00
Africa
Adroit Technologies 20 Waterford Office Park, 189 Witkoppen Road, Fourways, South Africa Tel: +27-11-658-8100
Asia-Pacific
Mitsubishi Electric Automation (China) Ltd. Mitsubishi Electric Automation Center, No.1386 Hongqiao Road, Shanghai, China Tel: +86-21-2322-3030
SETSUYO ENTERPRISE CO., LTD. 6F, No.105, Wugong 3rd Road, Wugu District, New Taipei City 24889, Taiwan Tel: +886-2-2299-2499
Mitsubishi Electric Automation Korea Co., Ltd. 7F to 9F, Gangseo Hangang Xi-tower A, 401, Yangcheon-ro, Gangseo-Gu, Seoul 07528, Korea Tel: +82-2-3650-9569
Mitsubishi Electric Asia Pte. Ltd. 307 Alexandra Road, Mitsubishi Electric Building, Singapore 159943 Tel: +65-6473-2308
Mitsubishi Electric Factory Automation (Thailand) Co., Ltd. 12th Floor, SV City Building, Office Tower 1, No. 896/19 and 20 Rama 3 Road, Kwaeng Bangpoo, Khet Yannawa, Bangkok 10120, Thailand Tel: +66-2682-6522 to 31
PT. Mitsubishi Electric Indonesia Gejantung Jaya 8th Floor, Jl. MH. Thamrin No.12, Jakarta Pusat 10340, Indonesia Tel: +62-21-3192-8461
Mitsubishi Electric Vietnam Company Limited 11th & 12th Floor, Viettel Tower B, 285 Cach Mang Thang 8 Street, Ward 12, District 10, Ho Chi Minh City, Vietnam. Tel: +84-28-3910-5945
Mitsubishi Electric India Pvt. Ltd. Pune Branch Emerald House, EL-3, J Block, M.I.D.C., Bhosari, Pune - 411026, Maharashtra, India Tel: +91-20-2710-2000
MITSUBISHI ELECTRIC AUSTRALIA PTY. LTD. 348 Victoria Road, P.O. Box 11, Rydalmere, N.S.W 2116, Australia Tel: +61-2-9684-7777

MITSUBISHI ELECTRIC CORPORATION

HEAD OFFICE: TOKYO BLDG. 2-7-3, MARUNOUCHI, CHIYODA-KU, TOKYO 100-8310, JAPAN
NAGOYA WORKS: 1-14, YADA-MINAMI 5-CHOME, HIGASHI-KU, NAGOYA 461-8670, JAPAN

When exported from Japan, this manual does not require application to the Ministry of Economy, Trade and Industry for service transaction permission.

Specifications subject to change without notice.
Printed in Japan, July 2023.