

MITSUBISHI ELECTRIC

GOT2000 Series
Environmental Protection Sheet for
GT25 Open Frame Model

User's Manual

GT25F-12ESGS
GT25F-10ESGS
GT25F-08ESGS

Thank you for choosing Mitsubishi Electric Graphic Operation Terminal (GOT).

Prior to use, please read both this manual and detailed manual thoroughly to fully understand the product.

MODEL	GT25F-ES-U-JE
MODEL CODE	1D7MQ6
IB(NA)-0800555-C(2307)MEE	

© 2015 MITSUBISHI ELECTRIC CORPORATION

●SAFETY PRECAUTIONS●

(Always read these precautions before using this equipment.)

Before using this product, please read this manual and the relevant manuals introduced in this manual carefully and pay full attention to safety to handle the product correctly.

The precautions given in this manual are concerned with this product. In this manual, the safety precautions are ranked as "WARNING" and "CAUTION".

WARNING Indicates that incorrect handling may cause hazardous conditions, resulting in death or severe injury.

CAUTION Indicates that incorrect handling may cause hazardous conditions, resulting in medium or slight personal injury or physical damage.

Note that the CAUTION level may lead to a serious accident according to the circumstances. Always follow the precautions of both levels because they are important to personal safety. Please save this manual to make it accessible when required and always forward it to the end user.

Please save this manual to make it accessible when required and always forward it to the end user.

[INSTALLATION PRECAUTIONS]

WARNING

- Correctly attach the environmental protection sheet on the display section of the GT25 open frame model by using the procedure in this manual.
- Make sure to fit the environmental protection sheet on the GOT display section closely without leaving any air between them. Incorrect attachment makes the GOT non-waterproof, resulting in a failure or malfunction.

[INSTALLATION PRECAUTIONS]

CAUTION

- Power off the GOT before attaching or removing the environmental protection sheet. Not doing so may cause an accident due to a false output or malfunction.

[STARTUP AND MAINTENANCE PRECAUTIONS]

CAUTION

- Visually check the environmental protection sheet every day. If you find extreme dirt, scratches, or peeling, immediately replace the sheet with a new one. Not doing so may decrease visibility, resulting in a failure or malfunction.

[PRECAUTIONS FOR USE]

CAUTION

- The environmental protection sheet is a consumable. If you find scratches, damage, peeling, extreme dirt, or others in a periodic check, replace the sheet with a new one.
- Do not push the environmental protection sheet with a sharp-pointed tool, such as a mechanical pencil or screwdriver. Doing so may cause scratches or damage.
- Do not clean the environmental protection sheet using a bleach, thinner, organic solvent, caustic chemical, or others. Doing so may cause a change in shape or color.
- Do not expose the environmental protection sheet to direct sunlight. If the sheet gets dust, wipe the sheet with a damp cloth.

[DISPOSAL PRECAUTIONS]

CAUTION

- Dispose of this product as industrial waste.

[TRANSPORTATION PRECAUTIONS]

CAUTION

- When fumigants that contain halogen materials such as fluorine, chlorine, bromine, and iodine are used for disinfecting and protecting wooden packaging from insects, they cause malfunction when entering our products. Please take necessary precautions to ensure that remaining materials from fumigant do not enter our products, or treat packaging with methods other than fumigation (heat method). Additionally, disinfect and protect wood from insects before packing products.

Manuals

The following shows manuals relevant to this product.

Manual name	Manual number (Model code)
GOT2000 Series User's Manual (Hardware) (Sold separately)	SH-081194ENG (1D7MJ5)

For the latest e-Manuals and PDF manuals, consult your local sales office.

Referenced Standard: GB/T15969.2 (Requirement of Chinese standardized law)

Packing List

After unpacking the box, check that the following products are included.

Product	Quantity
GOT2000 Series Environmental Protection Sheet for GT25 Open Frame Model	1
Stencil (with product and manufacturing information)	1
GOT2000 Series Environmental Protection Sheet for GT25 Open Frame Model User's Manual (This manual)	1

1. OVERVIEW

This user's manual describes the GOT2000 series environmental protection sheet dedicated to GT25 open frame models (hereinafter referred to as the environmental protection sheet). Attaching the environmental protection sheet on the display section of the GT25 open frame model makes the GOT compliant with IP67. The environmental protection sheet protects the GOT display section from scratches and dirt when you operate touch keys.

The following shows the environmental protection sheets and the applicable GOT screen sizes.

Model	Applicable GOT screen size
GT25F-12ESGS	12.1"
GT25F-10ESGS	10.4"
GT25F-08ESGS	8.4"

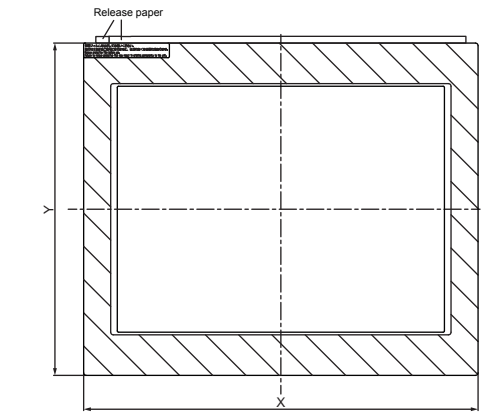
2. SPECIFICATIONS

The following shows the performance specifications of the environmental protection sheet. The general specifications of the environmental protection sheet are the same as those of the GOT. For the general specifications of the GOT, refer to the GOT2000 Series User's Manual (Hardware).

Product	Model	Description
Protective sheet	GT25F-12ESGS	For 12.1" For conforming to IP67 ^{*1} Antiglare type Silver
	GT25F-10ESGS	For 10.4" For conforming to IP67 ^{*1} Antiglare type Silver
	GT25F-08ESGS	For 8.4" For conforming to IP67 ^{*1} Antiglare type Silver

*1: To conform to IP67 attach the environmental protection sheet. Note that the structure does not guarantee protection in all users' environments. The GOT may not be used in an environment where the GOT is exposed to oil or chemicals for a long time, or where oil mist fills the air.

3. EXTERNAL DIMENSIONS



Item	X	Y	Thickness
GT25F-12ESGS	299(11.77) ±0.2(0.008)	252(9.92) ±0.2(0.008)	0.32(0.013)
GT25F-10ESGS	264(10.39) ±0.2(0.008)	225(8.86) ±0.2(0.008)	
GT25F-08ESGS	225(8.86) ±0.2(0.008)	196(7.72) ±0.2(0.008)	

Unit: mm (inch)

4. ATTACHMENT

The following table shows the material and surface treatment of the control panel recommended for attaching the environmental protection sheet.

Item	Description
Material	Stainless ¹ , aluminum ¹ , steel ²
Surface roughness	Ra0.2 to 0.5 (µm)

*1: When you coat the environmental protection sheet, use melamine resins or acrylic resins.
 *2: The environmental protection sheet must be coated with melamine resins or acrylic resins.

Check that no dirt or damage is on the control panel on which the environmental protection sheet will be attached.

Since the environmental protection sheet cannot be reattached, make sure to check the attachment method and attach the sheet carefully.

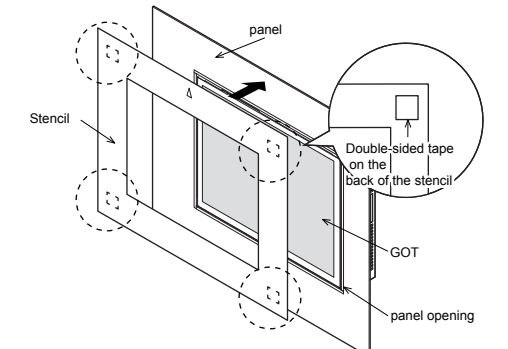
Check that the GT25 open frame model is installed properly, and then remove the protective film from the GOT.

Do not conduct this work in a dusty place, or foreign substances may adhere to the display section.

If an old environmental protection sheet is attached on the GOT, remove the sheet. For the removal method, refer to "5. REMOVAL".

The following shows the procedure for attaching the environmental protection sheet on GT2512F-S as an example.

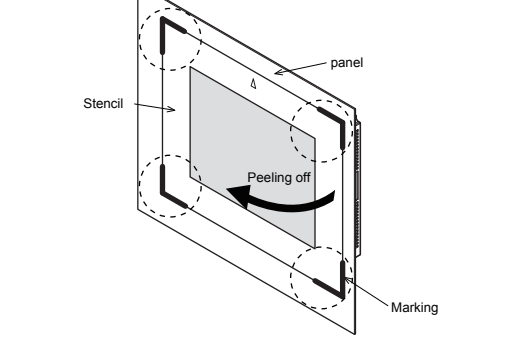
- Remove the inner part of the supplied stencil.
 Position the stencil on the panel opening, and attach the stencil using backside double-sided tape in four places.



Check that the arrow on the stencil points in the direction as shown below.

For the horizontally-oriented GOT, the arrow on the stencil must point upward. For the vertically-oriented GOT, the arrow on the stencil must point leftward.

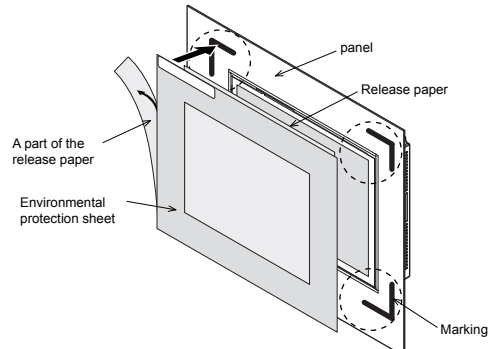
- Mark the four corners of the stencil on the control panel with a pencil or others. Remove the stencil.



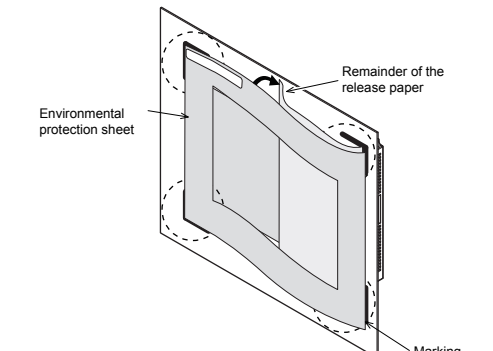
- Remove the protective film from the GOT, and make sure that no dust or other substances adhere to the display section.

- Peel off a part of the release paper on the back of the environmental protection sheet. Do not touch the adhesive part of the sheet where the release paper is peeled off.

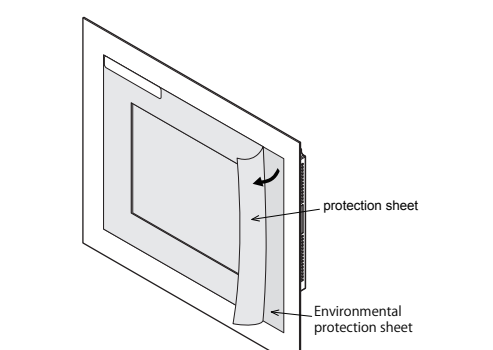
Do not remove the protective film from the environmental protection sheet. Align the sheet with the four markings on the control panel, and attach the peeled off part of the sheet to the control panel.



- Peel off the remainder of the release paper, and attach the whole environmental protection sheet to the control panel. Make sure to attach the sheet from the attached part in 4), and fit the sheet onto the control panel without leaving any air between them.

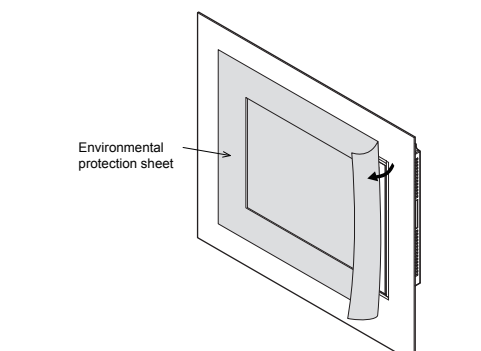


- Erase the markings.
- Apply enough pressure to the adhesive part of the environmental protection sheet. (Roll a roller back and forth two times with a load of 2 kg.) To ensure adequate adhesive strength, you are recommended to use the GOT about 24 hours later after the environmental protection sheet is attached. Check that the environmental protection sheet has no wrinkle, dirt, or others, and then remove the protective film from the sheet.



5. REMOVAL

Remove the environmental protection sheet gradually. If the sheet is difficult to remove, warm the sheet with a dryer or others.



Warranty

Mitsubishi Electric will not be held liable for damage caused by factors found not to be the cause of Mitsubishi Electric; machine damage or lost profits caused by faults in the Mitsubishi Electric products; damage, secondary damage, accident compensation caused by special factors unpredictable by Mitsubishi Electric; damages to products other than Mitsubishi Electric products; and to other duties.

For the details of the warranty, refer to the following.

- GOT2000 Series User's Manual (Hardware)
- For safe use**
 - This product has been manufactured as a general-purpose part for general industries, and has not been designed or manufactured to be incorporated in a device or system used in purposes related to human life.
 - Before using the product for special purposes such as nuclear power, electric power, aerospace, medicine or passenger movement vehicles, consult with Mitsubishi Electric.
 - This product has been manufactured under strict quality control. However, when installing the product where major accidents or losses could occur if the product fails, install appropriate backup or failsafe functions in the system.

Sales office/Tel
Americas Mitsubishi Electric Automation, Inc. 500 Corporate Woods Parkway, Vernon Hills, IL 60061, U.S.A. Tel: +1-847-478-2100 Mitsubishi Electric do Brasil Comercio e Servicos Ltda. Avenida Adelino Cartana, 293, 21 andar, Bethesda, Banerji SP, Brazil Tel: +55-11-4689-3000 Mitsubishi Electric Automation, Inc. Mexico Branch Boulevard Miguel de Cervantes Saavedra 301, Torre Norte Piso 5, Ampliacion Granada, Miguel Hidalgo, Ciudad de Mexico, Mexico, C.P.11520 Tel: +52-55-3067-7512
Europe Mitsubishi Electric Europe B.V. German Branch Mitsubishi-Electric-Platz 1, 40882 Ratingen, Germany Tel: +49-2102-486-0 Mitsubishi Electric Europe B.V. UK Branch Travellers Lane, UK-Hatfield, Hertfordshire, AL10 8XB, U.K. Tel: +44-1707-28-8780 Mitsubishi Electric Europe B.V. Italian Branch Centro Direzionale Collei - Palazzo Sirio, Viale Collei 7, 20864 Agrate Brianza (MB), Italy Tel: +39-039-80531 Mitsubishi Electric Europe B.V. Spanish Branch Carretera de Rubi, 78-80-Appdo. 420, E-08190 Sant Cugat del Valles (Barcelona), Spain Tel: +34-935-65-3131 Mitsubishi Electric Europe B.V. French Branch 25, Boulevard des Bouvets, 92741 Nanterre Cedex, France Tel: +33-1-55-68-55-68 Mitsubishi Electric Europe B.V. Czech Branch Pekarska 62/17, 155 00 Praha 5, Czech Republic Tel: +420-255 719 200 Mitsubishi Electric Turkey A.S. Umranliye Branch Serifali Mahallesi Nutuk Sokak No.5, TR-34775 Umranliye / Istanbul, Turkey Tel: +90-216-526-3990 Mitsubishi Electric Europe B.V. Polish Branch ul. Krakowska 48, 32-063 Balice, Poland Tel: +48-12-347-65-00
Africa Adroit Technologies 20 Waterford Office Park, 189 Witkoppen Road, Fourways, South Africa Tel: +27-11-658-8100
Asia-Pacific Mitsubishi Electric Automation (China) Ltd. Mitsubishi Electric Automation Center, No. 1386 Hongqiao Road, Shanghai, China Tel: +86-21-2322-3030 SETSUYO ENTERPRISE CO., LTD. 6F, No. 105, Wugong 3rd Road, Wugu District, New Taipei City 24889, Taiwan Tel: +886-2-2299-2499 Mitsubishi Electric Automation Korea Co., Ltd. 7F to 9F, Gangseo Hangang Xi-tower A, 401, Yangcheon-ro, Gangseo-Gu, Seoul 07528, Korea Tel: +82-2-3650-9669 Mitsubishi Electric Asia Pte. Ltd. 307 Alexandra Road, Mitsubishi Electric Building, Singapore 159943 Tel: +65-6473-2308 Mitsubishi Electric Factory Automation (Thailand) Co., Ltd. 12th Floor, SV City Building, Office Tower 1, No. 89/19 and 20 Rama 3 Road, Kwaeng Bangpongngang, Khet Yannawa, Bangkok 10120, Thailand Tel: +66-2682-6522 to 31 PT. Mitsubishi Electric Indonesia Gedung Jaya 8th Floor, Jl. MH. Thamrin No. 12, Jakarta Pusat 10340, Indonesia Tel: +62-21 3192-6461 Mitsubishi Electric Vietnam Company Limited 11th & 12th Floor, Viettel Tower B, 285 Cach Mang Thang 8 Street, Ward 12, District 10, Ho Chi Minh City, Vietnam. Tel: +84-28-3910-6945 Mitsubishi Electric India Pvt. Ltd. Pune Branch Emerald House, EL-3, J Block, M.I.D.C., Bhosari, Pune - 411026, Maharashtra, India Tel: +91-20-2710-2000 MITSUBISHI ELECTRIC AUSTRALIA PTY. LTD. 348 Victoria Road, P.O. Box 11, Rydalmere, N.S.W 2116, Australia Tel: +61-2-9684-7777

MITSUBISHI ELECTRIC CORPORATION

HEAD OFFICE: TOKYO BLDG., 2-7-3, MARUNOUCHI, CHIYODA-KU, TOKYO 100-8310, JAPAN
 NAGOYA WORKS: 1-14, YADA-MINAMI 5-CHOME, HIGASHI-KU, NAGOYA 461-8670, JAPAN

When exported from Japan, this manual does not require application to the Ministry of Economy, Trade and Industry for service transaction permission.

Specifications subject to change without notice.
 Printed in Japan, July 2023.