

**MITSUBISHI ELECTRIC**

# GOT2000/GOT1000 Series Sound Output Unit

## User's Manual

### GT15-SOUT

Thank you for choosing Mitsubishi Electric Graphic Operation Terminal (GOT).

**Prior to use, please read both this manual and detailed manual thoroughly to fully understand the product.**

MODEL	GT15-SOUT-U
MODEL CODE	1D7M68
IB(NA)-0800383-M(2307)MEE	

© 2007 MITSUBISHI ELECTRIC CORPORATION

**SAFETY PRECAUTIONS**

(Always read these precautions before using this equipment.)

Before using this product, please read this manual and the relevant manuals introduced in this manual carefully and pay full attention to safety to handle the product correctly. The precautions given in this manual are concerned with this product. In this manual, the safety precautions are ranked as "WARNING" and "CAUTION".

**WARNING** Indicates that incorrect handling may cause hazardous conditions, resulting in death or severe injury.

**CAUTION** Indicates that incorrect handling may cause hazardous conditions, resulting in medium or slight personal injury or physical damage.

Note that the CAUTION level may lead to a serious accident according to the circumstances. Always follow the precautions of both levels because they are important to personal safety. Please save this manual to make it accessible when required and always forward it to the end user.

**[DESIGN PRECAUTIONS]**

**CAUTION**

- Do not bundle the control and communication cables with main circuit, power or other wiring. Run the above cables separately from such wiring and keep them a minimum of 100mm apart. Not doing so may cause a malfunction.

**[MOUNTING PRECAUTIONS]**

**WARNING**

- Be sure to shut off all phases of the external power supply used by the system before mounting or removing this unit to/from the GOT. Not doing so can cause a unit failure or malfunction.
- Before connecting the Bus connection cable to this unit, always shut off GOT power and PLC CPU power externally in all phases. Not doing so can cause a malfunction.

**CAUTION**

- Use this unit in the environment that satisfies the general specifications described in the User's Manual for the GOT used. Not doing so can cause an electric shock, fire, malfunction or product damage or deterioration.
- When installing this unit to the GOT, fit it to the connection interface of the GOT and tighten the mounting screws in the specified torque range (0.36N·m to 0.48N·m) with a Phillips-head screwdriver No. 2. Undertightening can cause a drop, failure or malfunction. Overtightening can cause a drop, failure or malfunction due to screw or unit damage.

**[WIRING PRECAUTIONS]**

**WARNING**

- Be sure to shut off all phases of the external power supply used by the system before wiring. Failure to do so may result in an electric shock, product damage or malfunctions.

**CAUTION**

- Exercise care to avoid foreign matter such as chips and wire offcuts entering the unit. Not doing so can cause a fire, failure or malfunction.

**[STARTUP AND MAINTENANCE PRECAUTIONS]**

**WARNING**

- Before starting cleaning or mounting screw retightening, always shut off GOT power externally in all phases. Not doing so can cause a unit failure or malfunction. Tighten the mounting screws in the specified torque range (0.36N·m to 0.48N·m) with a Phillips-head screwdriver No. 2. Undertightening can cause the GOT to drop, short circuit or malfunction. Overtightening can cause a drop, short circuit or malfunction due to the damage of the screws or unit.

**CAUTION**

- Do not disassemble or modify the unit. Doing so can cause a failure, malfunction, injury or fire.
- Do not touch the conductive and electronic parts of this unit directly. Doing so can cause a unit malfunction or failure.
- The cables connected to the unit must be run in ducts or clamped. Not doing so can cause the unit or cable to be damaged due to the dangling, motion or accidental pulling of the cables or can cause a malfunction due to a cable connection fault.

**CAUTION**

- When unplugging the cable connected to the unit, do not hold and pull from the cable portion. Doing so can cause the unit or cable to be damaged or can cause a malfunction due to a cableconnection fault.
- Do not drop the module or subject it to strong shock. A module damage may result.
- Before touching the unit, always touch grounded metals, etc. to discharge static electricity from human body, etc. Not doing so can cause the unit to failure or malfunction.

**[DISPOSAL PRECAUTIONS]**

**CAUTION**

- When disposing of this product, treat it as industrial waste.

**[TRANSPORTATION PRECAUTIONS]**

**CAUTION**

- Make sure to transport the GOT main unit and/or relevant unit(s) in the manner they will not be exposed to the impact exceeding the impact resistance described in the general specifications of the User's Manual for the GOT used, as they are precision devices. Failure to do so may cause the unit to fail. Check if the unit operates correctly after transportation.
- When fumigants that contain halogen materials such as fluorine, chlorine, bromine, and iodine are used for disinfecting and protecting wooden packaging from insects, they cause malfunction when entering our products. Please take necessary precautions to ensure that remaining materials from fumigant do not enter our products, or treat packaging with methods other than fumigation (heat method). Additionally, disinfect and protect wood from insects before packing products.

**Manual**

The following shows manuals relevant to this product.

Manual name	Manual number (Model code)
GOT2000 Series User's Manual(Hardware) (Sold separately)	SH-081194ENG (1D7MJ5)
GOT2000 Series Connection Manual (Microcomputer,MODBUS/Fieldbus Products,Peripherals)	SH-081200ENG
GT16 User's Manual (Hardware)	SH-080928ENG
GT15 User's Manual	SH-080528ENG
GOT1000 Series Connection Manual (Microcomputer,MODBUS Products, Peripherals) for GT Works3	SH-080871ENG

For the latest e-Manuals and PDF manuals, consult your local sales office.

**Compliance with the new China RoHS directive**

GOT 相关的基于“电器电子产品有害物质限制使用管理办法”要求的表示方法

Note: This symbol mark is for China only.

含有有害6物质的名称、含有量、含有部件  
本产品中所含有的有害6物质的名称、含有量、含有部件如下表所示。  
产品中含有有害物质的名称及含量

部件名称	有害物质					
	铅 (Pb)	汞 (Hg)	镉 (Cd)	六价铬 (Cr(VI))	多溴联苯 (PBB)	多溴二苯醚 (PBDE)
电路板组件	×	○	○	○	○	○
树脂壳体、电缆、膜材	○	○	○	○	○	○
取金部件、螺丝等金属部件	○	○	○	○	○	○

本表格依据 SJ/T11364 的规定编制。  
○ : 表示该有害物质在该部件所有均质材料中的含量均在 GB/T26572 规定的限量要求以下；  
× : 表示该有害物质至少在该部件的某一均质材料中的含量超出 GB/T26572 规定的限量要求。

**Referenced Standard: GB/T15969.2 (Requirement of Chinese standardized law)**

**Packing List**

The following items are included.

Model name	Product name	Quantity
GT15-SOUT	Sound output unit	1
	Mounting screw set (2 pieces of screw, 2 pieces of label)	1
	Cable clamp set	1
	GOT2000/GOT1000 Series Sound Output Unit User's Manual (This manual)	1

**1. OVERVIEW**

This user's manual describes the GOT2000/GOT1000 series sound output unit (hereinafter referred to as the sound output unit). With installing the sound output unit, the GOT can be connected to a speaker with amplifier (hereinafter referred to as external speaker). When using the sound output unit, set the Communication Settings. For the setting, refer to the User's Manual for the GOT used.

**2. SPECIFICATIONS**

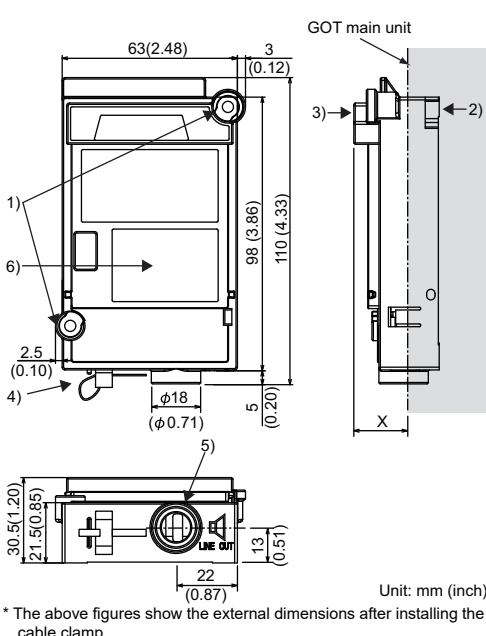
The performance specifications of the sound output unit are indicated below. The general specifications of the sound output unit are the same as those of the GOT. Refer to the User's Manual for the GOT used for the general specifications of the printer unit.

Item	Specification
Sound output terminal	For connecting external L/R speakers, 1 channel for each speaker (2Vp-p, 0.4mW (for rated load 10k Ω))
Applicable jack	φ 3.5 stereo mini jack, straight type
Playable file	GOT1000 Series: Windows WAV format 8.000KHz, 16 bits, mono (8 seconds/sound file) GOT2000 Series: Windows WAV format 16.000KHz/8.000KHz, 16 bits, mono (30 seconds/sound file)
Internal consumed current (DC5V)	0.08A
Weight	0.07kg (0.154lb) (Including cable clamp)

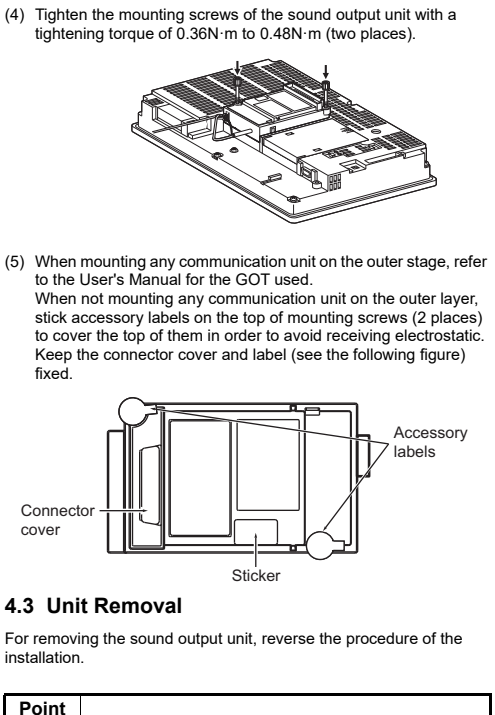
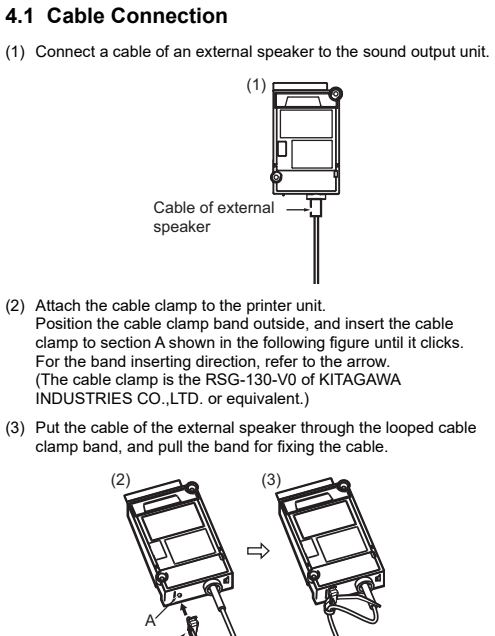
**Compliance with the EMC and Low Voltage Directives**

To configure a system meeting the requirements of the EMC and Low Voltage Directives when incorporating the Mitsubishi GOT (EMC and Low Voltage Directives compliant) into other machinery or equipment, refer to "EMC AND LOW VOLTAGE DIRECTIVES" of the General Description included with the GOT used. The CE mark, indicating compliance with the EMC and Low Voltage Directives, is printed on the rating plate of the GOT.

### 3. PART NAMES AND EXTERNAL DIMENSIONS



### 4. INSTALLATION AND REMOVAL PROCEDURE



**Warranty**

Mitsubishi Electric will not be held liable for damage caused by factors found not to be the cause of Mitsubishi Electric; machine damage or lost profits caused by faults in the Mitsubishi Electric products; damage, secondary damage, accident compensation caused by special factors unpredictable by Mitsubishi Electric; damages to products other than Mitsubishi Electric products; and to other duties.

**For safe use**

- This product has been manufactured as a general-purpose part for general industries, and has not been designed or manufactured to be incorporated in a device or system used in purposes related to human life.
- Before using the product for special purposes such as nuclear power, electric power, aerospace, medicine or passenger movement vehicles, consult with Mitsubishi Electric.
- This product has been manufactured under strict quality control. However, when installing the product where major accidents or losses could occur if the product fails, install appropriate backup or failsafe functions in the system.

**Sales office/Tel**

**Americas**

Mitsubishi Electric Automation, Inc.  
500 Corporate Woods Parkway, Vernon Hills, IL 60061, U.S.A.  
Tel: +1-847-478-2100

Mitsubishi Electric do Brasil Comercio e Servicos Ltda.  
Avenida Adelfino Cardana, 293, 21 andar, Bethaville, Barueri SP, Brazil  
Tel: +55-11-4689-3000

Mitsubishi Electric Automation, Inc. Mexico Branch  
Boulevard Miguel de Cervantes Saavedra 301, Torre Norte Piso 5, Ampliacion Granada, Miguel Hidalgo, Ciudad de Mexico, Mexico, C.P.11520  
Tel: +52-55-3067-7512

**Europe**

Mitsubishi Electric Europe B.V. German Branch  
Mitsubishi-Electric-Platz 1, 40882 Ratingen, Germany  
Tel: +49-2102-486-0

Mitsubishi Electric Europe B.V. UK Branch  
Travelers Lane, UK-Hatfield, Hertfordshire, AL10 8XB, U.K.  
Tel: +44-1707-28-8780

Mitsubishi Electric Europe B.V. Italian Branch  
Centro Direzionale Coleoni - Palazzo Sino, Viale Colleoni 7, 20864 Agrate Brianza (MB), Italy  
Tel: +39-039-60531

Mitsubishi Electric Europe B.V. Spanish Branch  
Carretera de Rubi, 76-80-Appdo. 420, E-08190 Sant Cugat del Valles (Barcelona), Spain  
Tel: +34-935-95-3131

Mitsubishi Electric Europe B.V. French Branch  
25, Boulevard des Bouvets, 92741 Nanterre Cedex, France  
Tel: +33-1-55-88-55-68

Mitsubishi Electric Europe B.V. Czech Branch  
Pekarska 62/17, 155 00 Praha 5, Czech Republic  
Tel: +420-255 719 200

Mitsubishi Electric Turkey A.S. Umraniye Branch  
Serif Mahallesi Nispetiye Sokak No:5, TR-34775 Umraniye / Istanbul, Turkey  
Tel: +90-216-526-3900

Mitsubishi Electric Europe B.V. Polish Branch  
ul. Krakowska 48, 32-063 Balice, Poland  
Tel: +48-12-347-65-00

**Africa**

Adroit Technologies  
20 Waterford Office Park, 189 Witkoppen Road, Fourways, South Africa  
Tel: +27-11-658-8100

**Asia-Pacific**

Mitsubishi Electric Automation (China) Ltd.  
Mitsubishi Electric Automation Center, No.1386 Hongqiao Road, Shanghai, China  
Tel: +86-21-2322-3030

SETSUYO ENTERPRISE CO., LTD.  
8F, No.105, Wugong 3rd Road, Wugu District, New Taipei City 24889, Taiwan  
Tel: +886-2-2299-2499

Mitsubishi Electric Automation Korea Co., Ltd.  
7F to 9F, Gangseo Hangang Xi-tower A, 401, Yangcheon-ro, Gangseo-Gu, Seoul 07528, Korea  
Tel: +82-2-3690-9559

Mitsubishi Electric Asia Pte. Ltd.  
307 Alexandra Road, Mitsubishi Electric Building, Singapore 159943  
Tel: +65-6473-2308

Mitsubishi Electric Factory Automation (Thailand) Co., Ltd.  
12th Floor, SV City Building, Office Tower 1, No. 58919 and 20 Rama 3 Road, Kwang Bangpangpang, Khet Yannawa, Bangkok 10120, Thailand  
Tel: +66-2682-6522 to 31

PT. Mitsubishi Electric Indonesia  
Gedung Jaya 8th Floor, Jl. MH. Thamrin No. 12, Jakarta Pusat 10340, Indonesia  
Tel: +62-21 3192-6461

Mitsubishi Electric Vietnam Company Limited  
11th & 12th Floor, Viettel Tower B, 285 Cach Mang Thang 8 Street, Ward 12, District 10, Ho Chi Minh City, Vietnam.  
Tel: +84-28-3910-5945

Mitsubishi Electric India Pvt. Ltd. Pune Branch  
Emerald House, EL-3, J Block, M.I.D.C., Bhosari, Pune - 411026, Maharashtra, India  
Tel: +91-20-2710-2000

MITSUBISHI ELECTRIC AUSTRALIA PTY. LTD.  
348 Victoria Road, P.O. Box 11, Rydalmere, N.S.W 2116, Australia  
Tel: +61-2-9684-7777

**MITSUBISHI ELECTRIC CORPORATION**

HEAD OFFICE: TOKYO BLDG., 2-7-3, MARUNOUCHI, CHIYODA-KU, TOKYO 100-8310, JAPAN  
NAGOYA WORKS: 1-14, YADA-MINAMI 5-CHOME, HIGASHI-KU, NAGOYA 461-8670, JAPAN

When exported from Japan, this manual does not require application to the Ministry of Economy, Trade and Industry for service transaction permission.

Specifications subject to change without notice.  
Printed in Japan, July 2023.