

MITSUBISHI ELECTRIC logo and GT25 Open Frame Model General Description. Includes model codes like GT2512F-STNA, GT2512F-STND, etc. and contact info for Mitsubishi Electric Corporation.

SAFETY PRECAUTIONS. Always read these precautions before using this equipment. Before using this product, please read this manual and the relevant manuals introduced in this manual carefully and pay full attention to safety to handle the product correctly.

In this manual, the safety precautions are ranked as "WARNING" and "CAUTION".

- Indicates that incorrect handling may cause hazardous conditions, resulting in death or severe injury.
Indicates that incorrect handling may cause hazardous conditions, resulting in medium or slight personal injury or physical damage.

Note that the CAUTION level may lead to a serious accident according to the circumstances. Always follow the instructions of both levels because they are important to personal safety. Please save this manual to make it accessible when required and always forward it to the end user.

- Some failures of the GOT, communication unit or cable may keep the outputs on or off.
Some failures of a touch panel may cause malfunction of the input objects such as a touch switch.
An external monitoring circuit should be provided to check for output signals which may lead to a serious accident.

- WARNING: Products with the CI, DIV2 mark on the rating plate are suitable for use in Class I, Division 2, Groups A, B, C and D hazardous locations, or nonhazardous locations only.
This mark indicates that the product is certified for use in the Class I, Division2 environment where flammable gases, vapors, or liquids are not likely to exist under normal conditions.

- CAUTION: Do not bundle the control and communication cables with main-circuit, power or other wiring.
Run the above cables separately from such wiring and keep them a minimum of 100mm apart.
Do not do so can cause a malfunction.

- WARNING: Be sure to shut off all phases of the external power supply used by the system before mounting or removing the GOT main unit to/from the panel.
Do not do so can cause the unit to fail or malfunction.

- CAUTION: Use the GOT in the environment that satisfies the general specifications described in this manual. Do not do so can cause an electric shock, fire, malfunction or product damage or deterioration.
When mounting a unit on the GOT, tighten the mounting screws in the following specified torque range.

- WARNING: Be sure to shut off all phases of the external power supply used by the system before wiring.
Failure to do so may result in an electric shock, product damage or malfunctions.
CAUTION: Make sure to ground the FG terminal and LG terminal of the GOT power supply section to the terminal screw.
Do not do so can cause a fire or failure.

- TEST OPERATION PRECAUTIONS: Before testing the operation of a user-created monitor screen (such as turning on or off a bit device, changing the current value of a word device, changing the set value or current value of a timer or counter, and changing the current value of a buffer memory), thoroughly read the manual to fully understand the operating procedure.

- WARNING: When power is on, do not touch the terminals.
Doing so can cause an electric shock.
Correctly connect the battery connector.

- CAUTION: Do not disassemble or modify the unit.
Doing so can cause a failure, malfunction, injury or fire.
Do not touch the conductive and electronic parts of the unit directly.

- TOUCH PANEL PRECAUTIONS: CAUTION: For the analog-resistive film type touch panels, normally the adjustment is not required.
However, the difference between a touched position and the object position may occur as the period of use elapses.

- CAUTION: When any difference between a touched position and the object position occurs, other object may be activated.
This may cause an unexpected operation due to incorrect output or malfunction.
PRECAUTIONS WHEN THE DATA STORAGE IS IN USE: CAUTION: If the SD card is removed from drive A of the GOT while being accessed by the GOT, the GOT may stop processing data for about 20 seconds.

- CAUTION: Do not touch the outer edge of the actual display area repeatedly.
Doing so may result in a failure.
Do not turn off the GOT while data is being written to the storage memory (ROM) or SD card.

- WARNING: Remote control is available through a network by using GOT functions, including the SoftGOT-GOT link function, the remote personal computer operation function, the VNC server function, and the GOT Mobile function.
If these functions are used to perform remote control of control equipment, the field operator may not notice the remote control, possibly leading to an accident.

- WARNING: Make sure to fully understand the GOT network interaction function before using this function to control the authorization among pieces of equipment to prevent simultaneous operations.
The exclusive authorization control of the GOT network interaction function can be enabled or disabled for each screen.

- CAUTION: When disposing of this product, treat it as industrial waste.
When disposing of batteries, separate them from other wastes according to the local regulations.

- CAUTION: When transporting lithium batteries, make sure to treat them based on the transport regulations.
(Refer to the GOT2000 Series User's Manual (Hardware) for details of the regulated models.)

Manuals table showing Manual name and Manual number (Model code) for various GOT2000 series manuals.

For detailed manuals and relevant manuals, refer to the e-Manual or PDF manuals stored in the DVD-ROM for the screen design software used.

Compliance with the new China RoHS directive. 电器电子产品有害物质限制使用管理办法. Note: This symbol mark is for China only.

Table with columns for substance names (Lead, Mercury, Cadmium, Hexavalent Chromium, Polybrominated Biphenyls, Polybrominated Diphenyl Ethers) and presence indicators (X, O).

Referenced Standard: GB/T15969.2 (Requirement of Chinese standardized law). Before using the GOT. Connect the connector of the GOT to the connector of the battery.

Packing List table for the GOT product package. Includes items like Battery, Fitting, Screw, Nut, and Manual with their respective quantities.

To mount the GOT, studs are necessary on the control panel. You are required to prepare the studs. Align the studs with the installation holes of the fittings, and install the studs.

- 1. FEATURES: Abundant standard equipment. Variety of connection with FA devices. SD card interface compatible with the SDHC card having a large capacity and allowing high-speed communication.

- 2. PARTS NAMES AND SETTINGS: Diagrams showing the physical layout of the GOT with numbered callouts (1-22) identifying various components like the display screen, touch panel, unit installation fitting, reset switch, installation switch, SD card access LED, SD card interface, SD card cover, battery holder, POWER LED, side interface, USB interface, and cable clamp.

2. PARTS NAMES AND SETTINGS

The following shows the parts names for GT2512F-S, GT2510F-V and GT2508F-V.

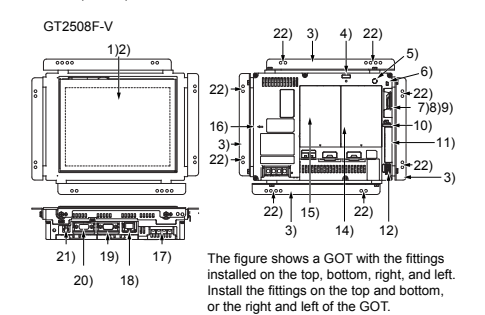
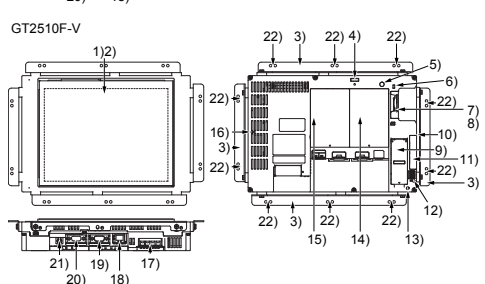
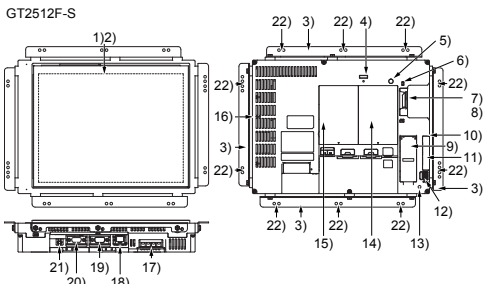


Table with columns No., Name, and Description for the parts identified in the diagrams. Descriptions include 'Display screen', 'Touch Panel', 'Unit installation fitting', 'Reset switch', 'Installation switch', etc.

WIRING PRECAUTIONS

- WARNING: Be sure to shut off all phases of the external power supply used by the system before wiring.
Failure to do so may result in an electric shock, product damage or malfunctions.
CAUTION: Make sure to ground the FG terminal and LG terminal of the GOT power supply section to the terminal screw.

- TEST OPERATION PRECAUTIONS: Before testing the operation of a user-created monitor screen (such as turning on or off a bit device, changing the current value of a word device, changing the set value or current value of a timer or counter, and changing the current value of a buffer memory), thoroughly read the manual to fully understand the operating procedure.

STARTUP/MAINTENANCE PRECAUTIONS

- WARNING: When power is on, do not touch the terminals.
Doing so can cause an electric shock.
Correctly connect the battery connector.

- CAUTION: Do not disassemble or modify the unit.
Doing so can cause a failure, malfunction, injury or fire.
Do not touch the conductive and electronic parts of the unit directly.

TOUCH PANEL PRECAUTIONS

- CAUTION: For the analog-resistive film type touch panels, normally the adjustment is not required.
However, the difference between a touched position and the object position may occur as the period of use elapses.

3.2 Power Supply Specifications

The following indicates the power supply specifications for GT25.

Note table regarding power supply specifications. Operation at momentary failure. If an instantaneous power failure occurs in the power supply and continues for more than the permissible period, the GOT will be reset.

3.2.1 For GOTs powered from the 100 to 240VAC power supply

Table showing power supply specifications for 100-240VAC. Columns: Item, Specifications, and values for different models (GT2512F-STNA, GT2510F-VTNA, GT2508F-VTNA).

3.2.2 For GOTs powered from the 24VDC power supply

Table showing power supply specifications for 24VDC. Columns: Item, Specifications, and values for different models (GT2512F-STND, GT2510F-VTND, GT2508F-VTND).

3.3 External Dimensions

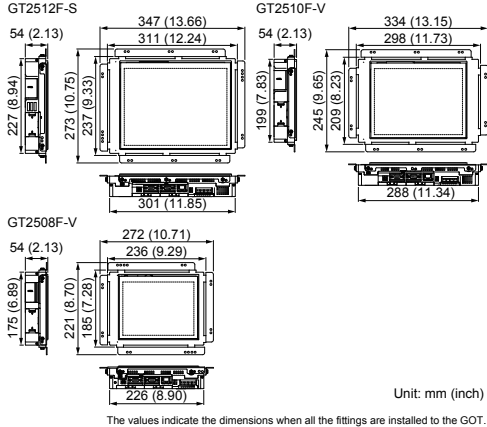


Table with columns No., Name, and Description for terminal and interface specifications. Includes Termination resistor, Extension interface, Vertical installation, Power terminal, Ethernet interface, RS-232 interface, RS-422/485 interface, and USB interface.

3. SPECIFICATIONS

3.1 General Specifications

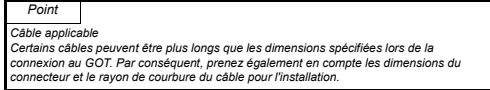
Table of general specifications including Operating ambient temperature, Storage ambient temperature, Operating ambient humidity, Vibration resistance, Shock resistance, Operating atmosphere, Operating altitude, Installation location, Overvoltage category, Pollution degree, Cooling method, and Grounding.

1. The operating ambient temperature includes the temperature inside the enclosure of the control panel to which the GOT is installed.
2. When mounting a MELSECNET/H communication unit (GT15-J71LP23-25, GT15-J1BR13), or CC-Link communication unit (GT15-J61BT13), the operating ambient temperature must be reduced 5°C against the maximum values described in general specifications.

5. INSTALLATION

5.1 Dimensions intérieures du tableau de commande pour le montage du GOT

Installez le GOT sur le tableau de commande en laissant de l'espace pour le dispositif à l'intérieur du tableau de commande. N'installez pas le GOT et le module dans des zones où l'installation est interdite.



5.2 Cotes de découpe du panneau

Ouvrez un orifice d'installation sur le tableau de commande avec les cotes indiquées ci-dessous.

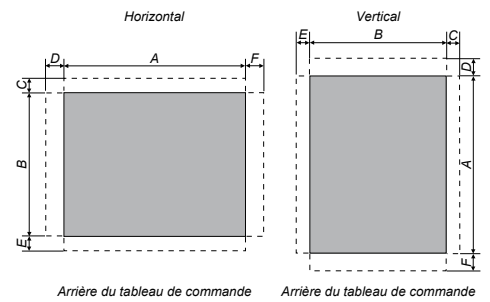


Table with columns for Model, Position d'installation du raccord, and dimensions A through F and épaisseur du panneau. Includes data for GT2512F-S, GT2510F-V, and GT2508F-V.

Les cotes C à F indiquent les mesures d'installation des raccords sur le tableau de commande. De plus, installez les goujons sur le tableau de commande. Pour plus d'informations sur l'installation des goujons, voir ce qui suit.

5.3 Goujon

5.3.1 Spécifications des goujons

Utilisez les goujons qui répondent aux spécifications suivantes.

Table with columns Diamètre and Longueur. M4, 10 mm (0.39 pouce) ou plus.

Les goujons sur le tableau de commande doivent avoir une résistance suffisante pour supporter un couple de serrage de 0,9 N·m ou plus. Assurez-vous qu'aucune matière étrangère, comme des déchets de soudure, ne se colle sur la base des goujons.

5.3.2 Distance entre les goujons

Pour monter le GOT sur le tableau de commande, des goujons sont nécessaires. Alignez les goujons avec les orifices d'installation des raccords, et installez les goujons.

Les raccords doivent être installés au-dessus et en dessous, ou à droite et à gauche du GOT. Pour GT2512F, il vous est conseillé d'installer les raccords sur les côtés longs du GOT.

(1) Mesures basées sur le centre de l'écran

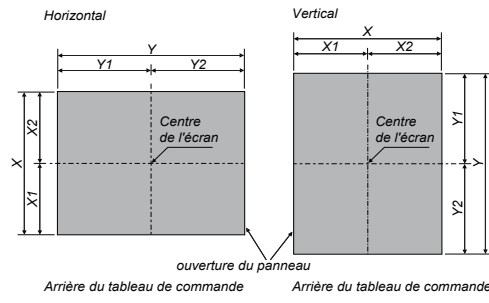


Table with columns for Model, X, X1, X2, Y, Y1, Y2. Includes data for GT2512F-S, GT2510F-V, and GT2508F-V.

(2) Mesures pour le GOT à l'horizontale avec les raccords au-dessus et en dessous

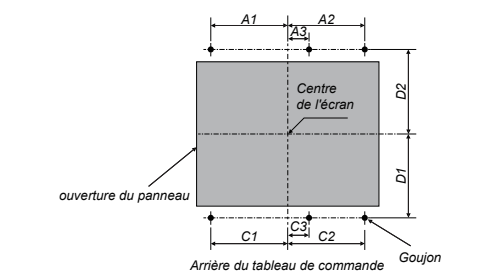


Table with columns for Model, A1, A2, A3, C1, C2, C3, D1, D2. Includes data for GT2512F-S, GT2510F-V, and GT2508F-V.

(3) Mesures pour le GOT à l'horizontale avec les raccords à droite et à gauche

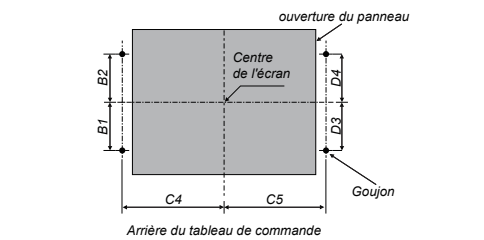


Table with columns for Model, B1, B2, C4, C5, D3, D4. Includes data for GT2512F-S, GT2510F-V, and GT2508F-V.

(4) Mesures pour le GOT à la verticale avec les raccords au-dessus et en dessous

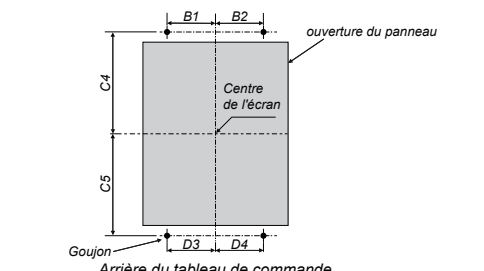


Table with columns for Model, B1, B2, C4, C5, D3, D4. Includes data for GT2512F-S, GT2510F-V, and GT2508F-V.

(5) Mesures pour le GOT à la verticale avec les raccords à droite et à gauche

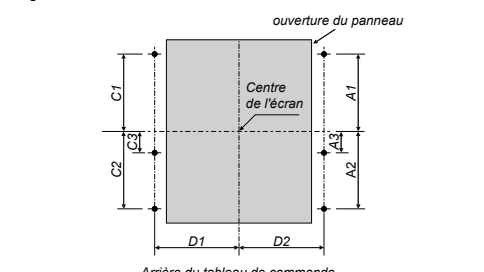
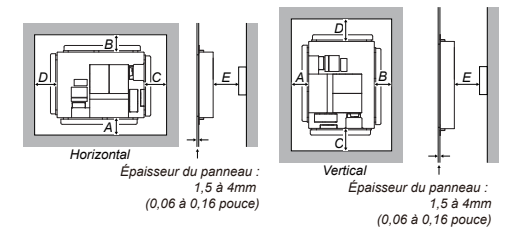


Table with columns for Model, A1, A2, A3, C1, C2, C3, D1, D2. Includes data for GT2512F-S, GT2510F-V, and GT2508F-V.

5.4 Position de montage

Lors du montage du GOT, laissez les espaces suivants pour les autres structures et dispositifs. Certains câbles peuvent être plus longs que les dimensions spécifiées lors de la connexion au GOT.



Laissez les espaces entre le GOT et les autres dispositifs en fonction des dimensions contenues dans le tableau suivant. Les valeurs entre parenthèses s'appliquent au cas où aucun dispositif générant des émissions sonores (comme un contacteur) ou de la chaleur n'est installé près du GOT.

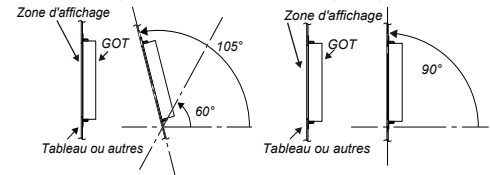
Table showing clearance requirements for various components like communication units, bus units, and modules. Columns include Article, GT2512F-S, GT2510F-V, and GT2508F-V.

*1: Cette valeur est utilisée pour le câble coaxial 3C-2V (JIS C 3501). Pour connaître les spécifications du câble, référez-vous au manuel GOT2000 Series Connection Manual pour un contrôleur used. *2: Cette valeur diffère selon le câble utilisé. *3: Pour ouvrir ou fermer le couvercle de la batterie : 72 (2.83) ou plus.

5.5 Température intérieure et angle d'installation du tableau de commande

Lors de l'installation du GOT sur un panneau, réglez la zone d'affichage comme indiqué ci-dessous. Si l'angle d'installation est différent de celui indiqué, le GOT se détériore plus tôt.

Installation du GOT à l'horizontale: Lors de l'installation du GOT avec un angle d'installation compris entre 60° et 105°, la température à l'intérieur du tableau de commande doit être d'environ 55°C. Installation du GOT à la verticale: Lors de l'installation du GOT avec un angle de 90°, la température à l'intérieur du panneau de commande ne doit pas dépasser 55°C.



5.6 Installation du GOT

Pour serrer les raccords sur le tableau de commande, des goujons sont nécessaires. 1) Installez les raccords fournis sur le GOT avec des vis. 2) Alignez les orifices d'installation des raccords avec les goujons, et insérez les goujons dans les orifices.

6. MAINTENANCE AND INSPECTION

Refer to the GOT2000 Series User's Manual (Hardware) for maintenance and inspection for the GOT.

Warranty: Mitsubishi Electric will not be held liable for damage caused by factors found not to be the cause of Mitsubishi Electric; machine damage or lost profits caused by faults in the Mitsubishi Electric products; damage, secondary damage, accident compensation caused by special factors unpredictable by Mitsubishi Electric; damages to products other than Mitsubishi Electric products; and to other duties.

Table listing regional sales offices worldwide, including USA, Brazil, Mexico, Germany, UK, Italy, Spain, France, Czech, Turkey, Poland, Russia, South Africa, China, Taiwan, Korea, Singapore, Thailand, Indonesia, Vietnam, India, and Australia.

MITSUBISHI ELECTRIC CORPORATION HEAD OFFICE: TOKYO BUILDING, 2-7-3 MARUNOUCHI, CHYODA-KU, TOKYO 100-8310, JAPAN

When exported from Japan, this manual does not require application to the Ministry of Economy, Trade and Industry for service transaction permission. Specifications subject to change without notice. Printed in Japan, December 2022.