

Motion Controller

MELSEC **Q** series

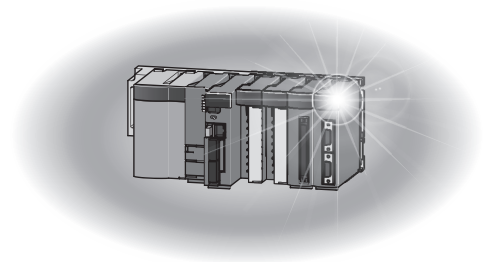
Drive Safety Integrated

Q173D(S)CPU/Q172D(S)CPU

Motion Controller

Programming Manual (Safety Observation)

-Q172DCPU-S1
-Q173DCPU-S1
-Q172DSCPU
-Q173DSCPU



● SAFETY PRECAUTIONS ●

(Please read these instructions before using this equipment.)

Before using this product, please read this manual and the relevant manuals introduced in this manual carefully and pay full attention to safety to handle the product correctly.

These precautions apply only to this product. Refer to the Q173D(S)CPU/Q172D(S)CPU Users manual for a description of the Motion controller safety precautions.


In this manual, the safety instructions are ranked as "DANGER" and "CAUTION".

 **DANGER**

Indicates that incorrect handling may cause hazardous conditions, resulting in death or severe injury.

 **CAUTION**

Indicates that incorrect handling may cause hazardous conditions, resulting in medium or slight personal injury or physical damage.

Depending on circumstances, procedures indicated by  CAUTION may also be linked to serious results.

In any case, it is important to follow the directions for usage.

Please save this manual to make it accessible when required and always forward it to the end user.

For Safe Operations

1. Prevention of electric shocks

DANGER

- Never open the front case or terminal covers while the power is ON or the unit is running, as this may lead to electric shocks.
- Never run the unit with the front case or terminal cover removed. The high voltage terminal and charged sections will be exposed and may lead to electric shocks.
- Never open the front case or terminal cover at times other than wiring work or periodic inspections even if the power is OFF. The insides of the Motion controller and servo amplifier are charged and may lead to electric shocks.
- Completely turn off the externally supplied power used in the system before mounting or removing the module, performing wiring work, or inspections. Failing to do so may lead to electric shocks.
- When performing wiring work or inspections, turn the power OFF, wait at least ten minutes, and then check the voltage with a tester, etc. Failing to do so may lead to electric shocks.
- Be sure to ground the Motion controller, servo amplifier and servo motor. (Ground resistance : 100 Ω or less) Do not ground commonly with other devices.
- The wiring work and inspections must be done by a qualified technician.
- Wire the units after installing the Motion controller, servo amplifier and servo motor. Failing to do so may lead to electric shocks or damage.
- Never operate the switches with wet hands, as this may lead to electric shocks.
- Do not damage, apply excessive stress, place heavy things on or sandwich the cables, as this may lead to electric shocks.
- Do not touch the Motion controller, servo amplifier or servo motor terminal blocks while the power is ON, as this may lead to electric shocks.
- Do not touch the built-in power supply, built-in grounding or signal wires of the Motion controller and servo amplifier, as this may lead to electric shocks.

2. For fire prevention

CAUTION

- Install the Motion controller, servo amplifier, servo motor and regenerative resistor on incombustible. Installing them directly or close to combustibles will lead to fire.
- If a fault occurs in the Motion controller or servo amplifier, shut the power OFF at the servo amplifier's power source. If a large current continues to flow, fire may occur.
- When using a regenerative resistor, shut the power OFF with an error signal. The regenerative resistor may abnormally overheat due to a fault in the regenerative transistor, etc., and may lead to fire.
- Always take heat measures such as flame proofing for the inside of the control panel where the servo amplifier or regenerative resistor is installed and for the wires used. Failing to do so may lead to fire.
- Do not damage, apply excessive stress, place heavy things on or sandwich the cables, as this may lead to fire.

3. For injury prevention

CAUTION

- Do not apply a voltage other than that specified in the instruction manual on any terminal. Doing so may lead to destruction or damage.
- Do not mistake the terminal connections, as this may lead to destruction or damage.
- Do not mistake the polarity (+ / -), as this may lead to destruction or damage.
- Do not touch the heat radiating fins of controller or servo amplifier, regenerative resistor and servo motor, etc., while the power is ON and for a short time after the power is turned OFF. In this timing, these parts become very hot and may lead to burns.
- Always turn the power OFF before touching the servo motor shaft or coupled machines, as these parts may lead to injuries.
- Do not go near the machine during test operations or during operations such as teaching. Doing so may lead to injuries.

4. Various precautions

Strictly observe the following precautions.

Mistaken handling of the unit may lead to faults, injuries or electric shocks.

(1) System structure

CAUTION

- Always install a leakage breaker on the Motion controller and servo amplifier power source.
- If installation of an electromagnetic contactor for power shut off during an error, etc., is specified in the instruction manual for the servo amplifier, etc., always install the electromagnetic contactor.
- Install the emergency stop circuit externally so that the operation can be stopped immediately and the power shut off.
- Use the Motion controller, servo amplifier, servo motor and regenerative resistor with the correct combinations listed in the instruction manual. Other combinations may lead to fire or faults.
- Use the Motion controller, base unit and motion module with the correct combinations listed in the instruction manual. Other combinations may lead to faults.
- If safety standards (ex., robot safety rules, etc.,) apply to the system using the Motion controller, servo amplifier and servo motor, make sure that the safety standards are satisfied.
- Construct a safety circuit externally of the Motion controller or servo amplifier if the abnormal operation of the Motion controller or servo amplifier differ from the safety directive operation in the system.
- In systems where coasting of the servo motor will be a problem during the forced stop, emergency stop, servo OFF or power supply OFF, use dynamic brakes.
- Make sure that the system considers the coasting amount even when using dynamic brakes.
- In systems where perpendicular shaft dropping may be a problem during the forced stop, emergency stop, servo OFF or power supply OFF, use both dynamic brakes and electromagnetic brakes.

CAUTION

- The dynamic brakes must be used only on errors that cause the forced stop, emergency stop, or servo OFF. These brakes must not be used for normal braking.
- The brakes (electromagnetic brakes) assembled into the servo motor are for holding applications, and must not be used for normal braking.
- The system must have a mechanical allowance so that the machine itself can stop even if the stroke limits switch is passed through at the max. speed.
- Use wires and cables that have a wire diameter, heat resistance and bending resistance compatible with the system.
- Use wires and cables within the length of the range described in the instruction manual.
- The ratings and characteristics of the parts (other than Motion controller, servo amplifier and servo motor) used in a system must be compatible with the Motion controller, servo amplifier and servo motor.
- Install a cover on the shaft so that the rotary parts of the servo motor are not touched during operation.
- There may be some cases where holding by the electromagnetic brakes is not possible due to the life or mechanical structure (when the ball screw and servo motor are connected with a timing belt, etc.). Install a stopping device to ensure safety on the machine side.

(2) Security

CAUTION

- To maintain the security (confidentiality, integrity, and availability) of the programmable controller and the system against unauthorized access, denial-of-service (DoS) attacks, computer viruses, and other cyberattacks from external devices via the network, take appropriate measures such as firewalls, virtual private networks (VPNs), and antivirus solutions.

(3) Parameter settings and programming

CAUTION

- Set the parameter values to those that are compatible with the Motion controller, servo amplifier, servo motor and regenerative resistor model and the system application. The protective functions may not function if the settings are incorrect.
- The regenerative resistor model and capacity parameters must be set to values that conform to the operation mode, servo amplifier and servo power supply module. The protective functions may not function if the settings are incorrect.
- Set the mechanical brake output and dynamic brake output validity parameters to values that are compatible with the system application. The protective functions may not function if the settings are incorrect.
- Set the stroke limit input validity parameter to a value that is compatible with the system application. The protective functions may not function if the setting is incorrect.

CAUTION

- Set the servo motor encoder type (increment, absolute position type, etc.) parameter to a value that is compatible with the system application. The protective functions may not function if the setting is incorrect.
- Set the servo motor capacity and type (standard, low-inertia, flat, etc.) parameter to values that are compatible with the system application. The protective functions may not function if the settings are incorrect.
- Set the servo amplifier capacity and type parameters to values that are compatible with the system application. The protective functions may not function if the settings are incorrect.
- Use the program commands for the program with the conditions specified in the instruction manual.
- Set the sequence function program capacity setting, device capacity, latch validity range, I/O assignment setting, and validity of continuous operation during error detection to values that are compatible with the system application. The protective functions may not function if the settings are incorrect.
- Some devices used in the program have fixed applications, so use these with the conditions specified in the instruction manual.
- The input devices and data registers assigned to the link will hold the data previous to when communication is terminated by an error, etc. Thus, an error correspondence interlock program specified in the instruction manual must be used.
- Use the interlock program specified in the intelligent function module's instruction manual for the program corresponding to the intelligent function module.

(4) Transportation and installation

CAUTION

- Transport the product with the correct method according to the mass.
- Use the servo motor suspension bolts only for the transportation of the servo motor. Do not transport the servo motor with machine installed on it.
- Do not stack products past the limit.
- When transporting the Motion controller or servo amplifier, never hold the connected wires or cables.
- When transporting the servo motor, never hold the cables, shaft or detector.
- When transporting the Motion controller or servo amplifier, never hold the front case as it may fall off.
- When transporting, installing or removing the Motion controller or servo amplifier, never hold the edges.
- Install the unit according to the instruction manual in a place where the mass can be withstood.
- Do not get on or place heavy objects on the product.
- Always observe the installation direction.
- Keep the designated clearance between the Motion controller or servo amplifier and control panel inner surface or the Motion controller and servo amplifier, Motion controller or servo amplifier and other devices.

⚠ CAUTION

- Do not install or operate Motion controller, servo amplifiers or servo motors that are damaged or that have missing parts.
- Do not block the intake/outtake ports of the Motion controller, servo amplifier and servo motor with cooling fan.
- Do not allow conductive matter such as screw or cutting chips or combustible matter such as oil enter the Motion controller, servo amplifier or servo motor.
- The Motion controller, servo amplifier and servo motor are precision machines, so do not drop or apply strong impacts on them.
- Securely fix the Motion controller, servo amplifier and servo motor to the machine according to the instruction manual. If the fixing is insufficient, these may come off during operation.
- Always install the servo motor with reduction gears in the designated direction. Failing to do so may lead to oil leaks.
- Store and use the unit in the following environmental conditions.

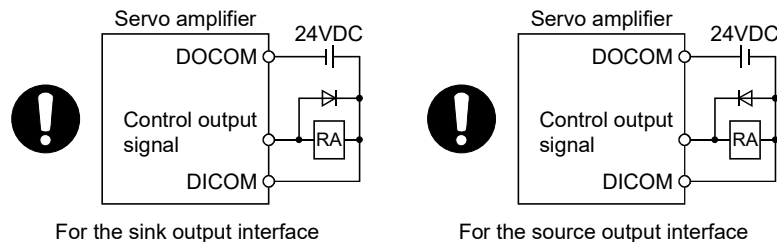
Environment	Conditions	
	Motion controller/Servo amplifier	Servo motor
Ambient temperature	According to each instruction manual.	0°C to +40°C (With no freezing) (32°F to +104°F)
Ambient humidity	According to each instruction manual.	80% RH or less (With no dew condensation)
Storage temperature	According to each instruction manual.	-20°C to +65°C (-4°F to +149°F)
Atmosphere	Indoors (where not subject to direct sunlight). No corrosive gases, flammable gases, oil mist or dust must exist	
Altitude	According to each instruction manual	
Vibration	According to each instruction manual	

- When coupling with the synchronous encoder or servo motor shaft end, do not apply impact such as by hitting with a hammer. Doing so may lead to detector damage.
- Do not apply a load larger than the tolerable load onto the synchronous encoder and servo motor shaft. Doing so may lead to shaft breakage.
- When not using the module for a long time, disconnect the power line from the Motion controller or servo amplifier.
- Place the Motion controller and servo amplifier in static electricity preventing vinyl bags and store.
- When storing for a long time, please contact with our sales representative.
Also, execute a trial operation.
- When fumigants that contain halogen materials such as fluorine, chlorine, bromine, and iodine are used for disinfecting and protecting wooden packaging from insects, they cause malfunction when entering our products.
Please take necessary precautions to ensure that remaining materials from fumigant do not enter our products, or treat packaging with methods other than fumigation (heat method).
Additionally, disinfect and protect wood from insects before packing products.

(5) Wiring

⚠ CAUTION

- Correctly and securely wire the wires. Reconfirm the connections for mistakes and the terminal screws for tightness after wiring. Failing to do so may lead to run away of the servo motor.
- After wiring, install the protective covers such as the terminal covers to the original positions.
- Do not install a phase advancing capacitor, surge absorber or radio noise filter (option FR-BIF) on the output side of the servo amplifier.
- Correctly connect the output side (terminal U, V, W) and ground. Incorrect connections will lead the servo motor to operate abnormally.
- Do not connect a commercial power supply to the servo motor, as this may lead to trouble.
- Do not mistake the direction of the surge absorbing diode installed on the DC relay for the control signal output of brake signals, etc. Incorrect installation may lead to signals not being output when trouble occurs or the protective functions not functioning.



- Do not connect or disconnect the connection cables between each unit, the encoder cable or PLC expansion cable while the power is ON.
- Securely tighten the cable connector fixing screws and fixing mechanisms. Insufficient fixing may lead to the cables coming off during operation.
- Do not bundle the power line or cables.

(6) Trial operation and adjustment

⚠ CAUTION

- Confirm and adjust the program and each parameter before operation. Unpredictable movements may occur depending on the machine.
- Extreme adjustments and changes may lead to unstable operation, so never make them.
- When using the absolute position system function, on starting up, and when the Motion controller or absolute position motor has been replaced, always perform a home position return.
- Before starting test operation, set the parameter speed limit value to the slowest value, and make sure that operation can be stopped immediately by the forced stop, etc. if a hazardous state occurs.

(7) Usage methods

⚠ CAUTION

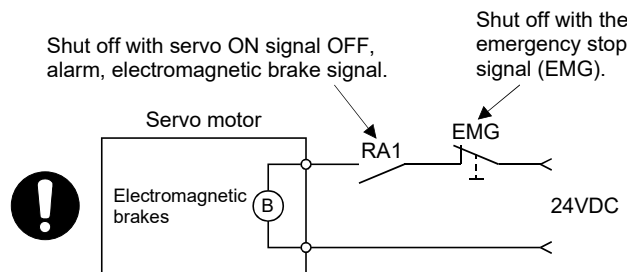
- Immediately turn OFF the power if smoke, abnormal sounds or odors are emitted from the Motion controller, servo amplifier or servo motor.
- Always execute a test operation before starting actual operations after the program or parameters have been changed or after maintenance and inspection.
- Do not attempt to disassemble and repair the units excluding a qualified technician whom our company recognized.
- Do not make any modifications to the unit.
- Keep the effect or electromagnetic obstacles to a minimum by installing a noise filter or by using wire shields, etc. Electromagnetic obstacles may affect the electronic devices used near the Motion controller or servo amplifier.
- When using the CE Mark-compliant equipment, refer to the User's manual for the Motion controllers and refer to the corresponding EMC guideline information for the servo amplifiers, inverters and other equipment.
- Use the units with the following conditions.

Item	Conditions
Input power	According to each instruction manual.
Input frequency	According to each instruction manual.
Tolerable momentary power failure	According to each instruction manual.

(8) Corrective actions for errors

⚠ CAUTION

- If an error occurs in the self diagnosis of the Motion controller or servo amplifier, confirm the check details according to the instruction manual, and restore the operation.
- If a dangerous state is predicted in case of a power failure or product failure, use a servo motor with electromagnetic brakes or install a brake mechanism externally.
- Use a double circuit construction so that the electromagnetic brake operation circuit can be operated by emergency stop signals set externally.



- If an error occurs, remove the cause, secure the safety and then resume operation after alarm release.
- The unit may suddenly resume operation after a power failure is restored, so do not go near the machine. (Design the machine so that personal safety can be ensured even if the machine restarts suddenly.)

(9) Maintenance, inspection and part replacement

CAUTION

- Perform the daily and periodic inspections according to the instruction manual.
- Perform maintenance and inspection after backing up the program and parameters for the Motion controller and servo amplifier.
- Do not place fingers or hands in the clearance when opening or closing any opening.
- Periodically replace consumable parts such as batteries according to the instruction manual.
- Do not touch the lead sections such as ICs or the connector contacts.
- Before touching the module, always touch grounded metal, etc. to discharge static electricity from human body. Failure to do so may cause the module to fail or malfunction.
- Do not directly touch the module's conductive parts and electronic components. Touching them could cause an operation failure or give damage to the module.
- Do not place the Motion controller or servo amplifier on metal that may cause a power leakage or wood, plastic or vinyl that may cause static electricity buildup.
- Do not perform a megger test (insulation resistance measurement) during inspection.
- When replacing the Motion controller or servo amplifier, always set the new module settings correctly.
- When the Motion controller or absolute value motor has been replaced, carry out a home position return operation using one of the following methods, otherwise position displacement could occur.
 - 1) After writing the servo data to the Motion controller using programming software, switch on the power again, then perform a home position return operation.
 - 2) Using the backup function of the programming software, load the data backed up before replacement.
- After maintenance and inspections are completed, confirm that the position detection of the absolute position detector function is correct.
- Do not drop or impact the battery installed to the module. Doing so may damage the battery, causing battery liquid to leak in the battery. Do not use the dropped or impacted battery, but dispose of it.
- Do not short circuit, charge, overheat, incinerate or disassemble the batteries.
- The electrolytic capacitor will generate gas during a fault, so do not place your face near the Motion controller or servo amplifier.
- The electrolytic capacitor and fan will deteriorate. Periodically replace these to prevent secondary damage from faults. Replacements can be made by our sales representative.
- Lock the control panel and prevent access to those who are not certified to handle or install electric equipment.
- Do not burn or break a module and servo amplifier. Doing so may cause a toxic gas.

(10) About processing of waste

When you discard Motion controller, servo amplifier, a battery (primary battery) and other option articles, please follow the law of each country (area).

CAUTION

- This product is not designed or manufactured to be used in equipment or systems in situations that can affect or endanger human life.
- When considering this product for operation in special applications such as machinery or systems used in passenger transportation, medical, aerospace, atomic power, electric power, or submarine repeating applications, please contact your nearest Mitsubishi Electric sales representative.
- Although this product was manufactured under conditions of strict quality control, you are strongly advised to install safety devices to forestall serious accidents when it is used in facilities where a breakdown in the product is likely to cause a serious accident.

(11) General cautions

- All drawings provided in the instruction manual show the state with the covers and safety partitions removed to explain detailed sections. When operating the product, always return the covers and partitions to the designated positions, and operate according to the instruction manual.

REVISIONS

* The manual number is given on the bottom left of the back cover.

Print Date	* Manual Number	Revision
May., 2012	IB(NA)-0300183-A	First edition
Jan., 2015	IB(NA)-0300183-B	Revisions regarding the addition of safety communication function and safety encoder [Additional correction/partial correction] Chapter 1, section 1.1, section 1.2, section 1.3, section 1.4.2, section 1.4.5, section 1.5, section 1.6, section 2.1, section 2.2, section 2.4.1, section 2.7.1, section 3.4.1, section 3.4.2, section 3.5.1, section 4.1, section 4.2, section 4.3.2, section 6.1, section 6.2, section 6.4 [Additional] Section 1.4.7, section 2.9, section 2.9.1, section 2.9.2, section 2.9.3, section 2.9.4, section 2.9.5, section 2.9.6, section 2.11, section 4.3.5, section 4.3.6
Nov., 2022	IB(NA)-0300183-C	[Additional correction/partial correction] SAFETY PRECAUTIONS, Section 1.1, WARRANTY

Japanese Manual Number IB(NA)-0300182

This manual confers no industrial property rights or any rights of any other kind, nor does it confer any patent licenses. Mitsubishi Electric Corporation cannot be held responsible for any problems involving industrial property rights which may occur as a result of using the contents noted in this manual.

INTRODUCTION

Thank you for choosing the Mitsubishi Motion controller Q173D(S)CPU/Q172D(S)CPU.
Before using the equipment, please read this manual carefully to develop full familiarity with the functions and performance of the Motion controller you have purchased, so as to ensure correct use.

CONTENTS

Safety Precautions	A- 1
Revisions	A-11
Contents	A-12
About Manuals	A-16
Manual Page Organization	A-18

1. OVERVIEW	1- 1 to 1-20
--------------------	---------------------

1.1 Functional Overview	1- 3
1.2 System Configuration.....	1- 5
1.2.1 Q173DSXY Safety signal module.....	1- 8
1.3 Applicable Standard	1- 9
1.4 Risk Assessment.....	1-10
1.4.1 Safety signal comparison.....	1-11
1.4.2 Speed monitoring function (SLS).....	1-11
1.4.3 Safe speed monitor (SSM).....	1-12
1.4.4 Shut-off function (STO, SS1)	1-13
1.4.5 Standstill monitoring (SOS, SS2)	1-14
1.4.6 Safe break control (SBC)	1-14
1.4.7 Safety communication function.....	1-15
1.5 Restrictions.....	1-16
1.6 Equipment Configuration of Safety Observation Function Compatible Motion Controller	1-18

2. SAFETY OBSERVATION FUNCTION	2- 1 to 2-46
---------------------------------------	---------------------

2.1 Configuration of Safety Observation Function	2- 1
2.2 Sequence Programs for Safety Observation on PLC CPU	2- 3
2.2.1 Activity check in sequence programs for safety observation.....	2- 6
2.3 Safety Signals Comparison	2- 7
2.3.1 Re-start after error.....	2- 7
2.4 Speed Monitoring Function (SLS)	2- 8
2.4.1 System configuration of speed monitoring function	2- 8
2.4.2 Timing of speed monitoring function.....	2-12
2.4.3 Example of speed monitoring start operation.....	2-13
2.4.4 Parameter consistency check.....	2-14
2.4.5 Comparison of speed monitoring parameter.....	2-14
2.4.6 Speed command observation	2-14
2.4.7 Feedback speed observation.....	2-15
2.4.8 Position feedback monitoring.....	2-15
2.4.9 Speed deviation monitoring	2-16
2.4.10 External auxiliary pulse input observation	2-17
2.4.11 Continuous standstill during speed monitoring	2-17

2.4.12 Speed error detection check.....	2-17
2.5 Safe Speed Monitor (SSM).....	2-18
2.6 Shut-off Function (STO/SS1).....	2-19
2.6.1 Sequence program example for shut-off function (STO/SS1 (Stop category 1))	2-19
2.7 Standstill Monitoring (SOS, SS2)	2-21
2.7.1 Encoder consistency check by small oscillation during standstill monitoring	2-21
2.7.2 Sequence program example for standstill monitoring (SOS, SS2 (Stop category 2)).....	2-23
2.7.3 Sequence program example for small oscillation during standstill monitoring	2-24
2.8 Safe Break Control (SBC).....	2-26
2.8.1 Sequence program example for safe break control (SBC).....	2-26
2.9 Safety Communication.....	2-27
2.9.1 Functional safety signal.....	2-30
2.9.2 Sequence program example for shut-off function (STO, SS1 (Stop category 1))	2-33
2.9.3 Sequence program example for standstill monitoring (SOS, SS2 (Stop category 2)).....	2-35
2.9.4 Sequence program example for speed monitoring (SLS1 to SLS4).....	2-37
2.9.5 Checking the connection status of safety communication.....	2-39
2.9.6 SSCNET ^{III} communication condition monitor	2-40
2.10 Self-diagnosis Function	2-41
2.10.1 Safety signal output check function	2-41
2.10.2 Memory Check Function	2-43
2.10.3 Internal processing check of Safety observation function	2-43
2.10.4 Scan time check.....	2-44
2.10.5 Voltage monitoring of Motion CPU circuit	2-44
2.10.6 Temperature monitoring of Motion CPU module	2-44
2.11 Speed Monitoring Function Omitting External Auxiliary Pulse Input.....	2-45

3. START-UP PROCEDURES	3- 1 to 3-30
-------------------------------	---------------------

3.1 Start-up Procedures Flow Chart.....	3- 1
3.2 Communication between GX Works2/GX Developer and Motion CPU.....	3- 3
3.3 PLC Memory Formatting.....	3- 4
3.4 Parameters Setting	3- 5
3.4.1 Parameter setting of Motion CPU.....	3- 5
3.4.2 Parameter settings for PLC CPU.....	3-11
3.5 Creating User Safety Sequence Program.....	3-17
3.5.1 Creating PLC CPU side user safety sequence program	3-17
3.5.2 Creating Motion CPU side user safety sequence program	3-19
3.6 Validation of Parameter or Program.....	3-29
3.6.1 How to validate parameter	3-29
3.6.2 How to validate user safety sequence program.....	3-30

4. DEDICATED DEVICES	4- 1 to 4-28
-----------------------------	---------------------

4.1 Special Relay/Special Register for Safety Observation Function	4- 1
4.2 Device Used in Sequence Programs for Safety Observation on PLC CPU Side.....	4- 3
4.3 Multiple CPU Shared Device for Safety Observation Functions	4- 4
4.3.1 Shared device list for safety signal comparison.....	4- 5
4.3.2 Detailed description of shared device for safety signal comparison	4- 6
4.3.3 Shared device list for speed monitoring	4-13
4.3.4 Detailed description of shared device for speed monitoring.....	4-14

4.3.5 Shared device list for safety communication	4-21
4.3.6 Detailed description of shared device for safety communication	4-22

5. SEQUENCE INSTRUCTIONS FOR MOTION CPU	5- 1 to 5-78
--	---------------------

5.1 Description of the Device for the Sequence Program	5- 1
5.1.1 Input/output (X, Y)	5- 1
5.1.2 Internal relays (M, F)	5- 2
5.1.3 Special relays (SM)	5- 3
5.1.4 Timer (T)	5- 3
5.1.5 Counter (C)	5- 5
5.1.6 Data register (D)	5- 5
5.1.7 Link register (W)	5- 6
5.1.8 Index registers (Z)	5- 6
5.1.9 Nesting (N)	5- 7
5.1.10 Pointer (P)	5- 8
5.1.11 Special register (SD)	5- 8
5.1.12 Decimal constant (K)	5- 9
5.1.13 Hexadecimal constant (H)	5- 9
5.2 Configuration of Instructions	5-10
5.2.1 How to read the instruction table	5-10
5.2.2 Number of steps	5-11
5.2.3 END instruction	5-12
5.2.4 Index ornament	5-12
5.2.5 Digit designation	5-13
5.3 Basic Instructions	5-16
5.3.1 Operation start, series connection, parallel connection: LD, LDI, AND, ANI, OR, ORI	5-16
5.3.2 Ladder block series connection and parallel connection: ANB, ORB	5-17
5.3.3 Out instruction: OUT (excluding timers, counters)	5-18
5.3.4 Timers: OUT T	5-19
5.3.5 Counter: OUT C	5-21
5.3.6 Setting and resetting devices: SET, RST	5-22
5.3.7 Setting and resetting the master control: MC, MCR	5-23
5.3.8 Leading edge and trailing edge outputs: PLS, PLF	5-25
5.3.9 Bit device shifts: SFT	5-26
5.3.10 Operation results push, read, pop: MPS, MRD, MPP	5-27
5.4 Function Instructions	5-28
5.4.1 16-bit data comparisons: =, <, >	5-28
5.4.2 32-bit data comparisons: D=, D<, D>	5-29
5.4.3 BIN 16-bit addition and subtraction operations: +, -	5-30
5.4.4 BIN 32-bit addition and subtraction operations: D+, D-	5-32
5.4.5 BIN 16-bit multiplication and division operations: *, /	5-34
5.4.6 BIN 32-bit multiplication and division operations: D*, D/	5-36
5.4.7 Incrementing and decrementing 16-bit BIN data: INC, DEC	5-38
5.4.8 Incrementing and decrementing 32-bit BIN data: DINC, DDEC	5-39
5.4.9 Conversion from BIN to BCD (16 bits, 32bits): BCD, DBCD	5-40
5.4.10 Conversion from BCD to BIN (16 bits, 32bits): BIN, DBIN	5-42
5.4.11 16-bit and 32-bit data transfers: MOV, DMOV	5-44
5.4.12 16-bit and 32-bit data exchanges: XCH, DXCH	5-45

5.4.13 Block 16-bit data transfers: BMOV	5-46
5.4.14 Identical 16-bit data block transfers: FMOV	5-47
5.4.15 Pointer branch instructions: CJ	5-48
5.4.16 End main routine program: FEND	5-50
5.4.17 Call/return of subroutine program: CALL, RET	5-51
5.4.18 Logical products with 16-bit data: WAND.....	5-52
5.4.19 Logical product with 32-bit data: DAND	5-53
5.4.20 Logical sums with 16-bit data: WOR	5-54
5.4.21 Logical sum with 32-bit data: DOR.....	5-55
5.4.22 16-bit exclusive OR operation: WXOR.....	5-56
5.4.23 32-bit exclusive OR operation: DXOR.....	5-57
5.4.24 Complement of 2 of BIN 16-bit data: NEG	5-58
5.4.25 Right rotation of 16-bit data: ROR, RCR.....	5-59
5.4.26 Right rotation of 32-bit data: DROR, DRCR.....	5-61
5.4.27 Left rotation of 16-bit data: ROL, RCL.....	5-63
5.4.28 Left rotation of 32-bit data: DROL, DRCL	5-65
5.4.29 n-bit shift to right or left of 16-bit data: SFR, SFL.....	5-67
5.4.30 1-word shift to right or left of n-word data: DSFR, DSFL.....	5-69
5.4.31 16-bit data searches: SER.....	5-71
5.4.32 16-bit data checks: SUM.....	5-72
5.4.33 Decoding from 8 to 256 bits: DECO	5-73
5.4.34 7-segment decode: SEG	5-75
5.4.35 Calculation of average value: S.AVE	5-77

6. TROUBLESHOOTING	6- 1 to 6-14
---------------------------	---------------------

6.1 Safety Observation Error List.....	6- 1
6.2 Safety Observation Warning List.....	6- 8
6.3 How to Correct Errors of Motion CPU Side Sequence Program.....	6-10
6.4 Troubleshooting when the Error "CAN'T EXE. PRG" Occurs in a PLC CPU	6-13

APPENDICES	App- 1 to App-14
-------------------	-------------------------

APPENDIX 1 Functions of GX Works2/GX Developer available for Motion CPU.....	App- 1
APPENDIX 1.1 GX Works2 features support.....	App- 1
APPENDIX 1.2 GX Developer features support	App- 8
APPENDIX 2 Example of Checklist for User Documentation	App-14

About Manuals

The following manuals are also related to this product.

In necessary, order them by quoting the details in the tables below.

Related Manuals

(1) Motion controller

Manual Name	Manual Number (Model Code)
Q173D(S)CPU/Q172D(S)CPU Motion controller User's Manual This manual explains specifications of the Motion CPU modules, Q172DLX Servo external signal interface module, Q172DEX Synchronous encoder interface module, Q173DPX Manual pulse generator interface module, Power supply modules, Servo amplifiers, SSCNETIII cables and Synchronous encoder, and the maintenance/inspection for the system, trouble shooting and others.	IB-0300133 (1XB927)
Q173D(S)CPU/Q172D(S)CPU Motion controller Programming Manual (COMMON) This manual explains the Multiple CPU system configuration, performance specifications, common parameters, auxiliary/applied functions, error lists and others.	IB-0300134 (1XB928)
Q173D(S)CPU/Q172D(S)CPU Motion controller (SV13/SV22) Programming Manual (Motion SFC) This manual explains the functions, programming, debugging, error lists for Motion SFC and others.	IB-0300135 (1XB929)
Q173D(S)CPU/Q172D(S)CPU Motion controller (SV13/SV22) Programming Manual (REAL MODE) This manual explains the servo parameters, positioning instructions, device lists, error lists and others.	IB-0300136 (1XB930)
Q173D(S)CPU/Q172D(S)CPU Motion controller (SV22) Programming Manual (VIRTUAL MODE) This manual explains the dedicated instructions to use the synchronous control by virtual main shaft, mechanical system program create mechanical module, servo parameters, positioning instructions, device lists, error lists and others.	IB-0300137 (1XB931)
Q173DSCPU/Q172DSCPU Motion controller (SV22) Programming Manual (Advanced Synchronous Control) This manual explains the dedicated instructions to use the synchronous control by synchronous control parameters, device lists, error lists and others.	IB-0300198 (1XB953)
Q173D(S)CPU/Q172D(S)CPU Motion controller Programming Manual (Safety Observation) This manual explains the details, safety parameters, safety sequence program instructions, device lists and error lists and others for safety observation function by Motion controller.	IB-0300183 (1XB945)
Motion controller Setup Guidance (MT Developer2 Version1) This manual explains the items related to the setup of the Motion controller programming software MT Developer2.	IB-0300142 (—)

(2) PLC



Manual Name	Manual Number (Model Code)
<p>QCPU User's Manual (Hardware Design, Maintenance and Inspection)</p> <p>This manual explains the specifications of the QCPU modules, power supply modules, base units, extension cables, memory card battery, and the maintenance/inspection for the system, trouble shooting, error codes and others.</p>	SH-080483ENG (13JR73)
<p>QnUCPU User's Manual (Function Explanation, Program Fundamentals)</p> <p>This manual explains the functions, programming methods and devices and others to create programs with the QCPU.</p>	SH-080807ENG (13JZ27)
<p>QCPU User's Manual (Multiple CPU System)</p> <p>This manual explains the Multiple CPU system overview, system configuration, I/O modules, communication between CPU modules and communication with the I/O modules or intelligent function modules.</p>	SH-080485ENG (13JR75)
<p>QnUCPU User's Manual (Communication via Built-in Ethernet Port)</p> <p>This manual explains functions for the communication via built-in Ethernet port of the CPU module.</p>	SH-080811ENG (13JZ29)
<p>MELSEC-Q/L Programming Manual (Common Instruction)</p> <p>This manual explains how to use the sequence instructions, basic instructions, application instructions and micro computer program.</p>	SH-080809ENG (13JW10)
<p>MELSEC-Q/L/QnA Programming Manual (PID Control Instructions)</p> <p>This manual explains the dedicated instructions used to exercise PID control.</p>	SH-080040 (13JF59)
<p>MELSEC-Q/L/QnA Programming Manual (SFC)</p> <p>This manual explains the system configuration, performance specifications, functions, programming, debugging, error codes and others of MELSAP3.</p>	SH-080041 (13JF60)
<p>I/O Module Type Building Block User's Manual</p> <p>This manual explains the specifications of the I/O modules, connector, connector/terminal block conversion modules and others.</p>	SH-080042 (13JL99)
<p>MELSEC-L SSCNETⅢ/H Head Module User's Manual</p> <p>This manual explains specifications of the head module, procedures before operation, system configuration, installation, wiring, settings, and troubleshooting.</p>	SH-081152ENG (13JZ78)

(3) Servo amplifier

Manual Name	Manual Number (Model Code)
SSCNETⅢ/H interface AC Servo MR-J4_B(-RJ)/MR-J4_B4(-RJ)/MR-J4_B1(-RJ) Servo amplifier Instruction Manual This manual explains the I/O signals, parts names, parameters, start-up procedure and others for AC Servo MR-J4_B(-RJ)/MR-J4_B4(-RJ)/MR-J4_B1(-RJ) MR-J4-□B Servo amplifier.	SH-030106 (1CW805)
SSCNETⅢ/H interface Multi-axis AC Servo MR-J4W2-_B/MR-J4W3-_B Servo amplifier Instruction Manual This manual explains the I/O signals, parts names, parameters, start-up procedure and others for Multi-axis AC Servo MR-J4W2-_B/MR-J4W3-_B Servo amplifier.	SH-030105 (1CW806)
Functional safety unit MR-D30 Instruction Manual This manual explains the I/O signals, parts names, parameters, start-up procedure and others for functional safety unit MR-D30.	SH-030132 (1CW817)
SSCNETⅢ interface MR-J3-□B Servo amplifier Instruction Manual This manual explains the I/O signals, parts names, parameters, start-up procedure and others for MR-J3-□B Servo amplifier.	SH-030051 (1CW202)
SSCNETⅢ Compatible Linear Servo MR-J3-□B-RJ004U□ Instruction Manual This manual explains the I/O signals, parts names, parameters, start-up procedure and others for Linear Servo MR-J3-□B-RJ004U□ Servo amplifier.	SH-030054 (1CW943)
SSCNETⅢ Compatible Fully Closed Loop Control MR-J3-□B-RJ006 Servo amplifier Instruction Manual This manual explains the I/O signals, parts names, parameters, start-up procedure and others for Fully Closed Loop Control MR-J3-□B-RJ006 Servo amplifier.	SH-030056 (1CW304)
SSCNETⅢ interface 2-axis AC Servo Amplifier MR-J3W-0303BN6/MR-J3W-□B Servo amplifier Instruction Manual This manual explains the I/O signals, parts names, parameters, start-up procedure and others for 2-axis AC Servo Amplifier MR-J3W-0303BN6/MR-J3W-□B Servo amplifier.	SH-030073 (1CW604)
SSCNETⅢ Interface Direct Drive Servo MR-J3-□B-RJ080W Servo amplifier Instruction Manual This manual explains the I/O signals, parts names, parameters, start-up procedure and others for Direct Drive Servo MR-J3-□B-RJ080W Servo amplifier.	SH-030079 (1CW601)
SSCNETⅢ interface Drive Safety integrated MR-J3-□B Safety Servo amplifier Instruction Manual This manual explains the I/O signals, parts names, parameters, start-up procedure and others for safety integrated MR-J3-□B Safety Servo amplifier.	SH-030084 (1CW205)

Manual Page Organization

The symbols used in this manual are shown below.

Symbol	Description
	Symbol that indicates correspondence to only Q173DSCPU/Q172DSCPU.
	Symbol that indicates correspondence to only Q173DCPU-S1/Q172DCPU-S1.

1. OVERVIEW

This manual describes the safety observation function and start-up procedure in Motion controller, and the devices and instructions for creating a sequence program for the safety circuit.

In this manual, the following abbreviations are used.

Generic term/Abbreviation	Description
Motion CPU built-in safety observation (module) or Motion CPU (module)	Q173DSCPU/Q172DSCPU/Q173DCPU-S1/Q172DCPU-S1 Motion CPU module
Safety signal module	Q173DSXY Safety signal module
AMP or Servo amplifier	General name for "Servo amplifier model MR-J4-□B/MR-J4W-□B MR-J3-□B/MR-J3W-□B"
QCPU, PLC CPU or PLC CPU module	QnUD(E)(H)CPU
Multiple CPU system or Motion system	Abbreviation for "Multiple PLC system of the Q series"
Operating system software	General name for "SW8DNC-SV13Q□/SW8DNC-SV22Q□"
Programming software package	General name for MT Developer2/GX Works2/GX Developer/MR Configurator□
MELSOFT MT Works2	Abbreviation for "Motion controller engineering environment MELSOFT MT Works2"
MT Developer2 (Note-1)	Abbreviation for "Motion controller programming software MT Developer2 (Version 1.34L or later)"
GX Works2	Abbreviation for "Programmable controller engineering software MELSOFT GX Works2 (Version 1.15R or later)"
GX Developer	Abbreviation for "MELSEC PLC programming software package GX Developer (Version 8.48A or later)"
SSCNETⅢ/H (Note-2)	High speed synchronous network between Motion controller and servo amplifier
SSCNETⅢ (Note-2)	
SSCNETⅢ(H) (Note-2)	General name for SSCNETⅢ/H, SSCNETⅢ
Multiple CPU high speed transmission	Dedicated bus communication between PLC CPU and Motion CPU
Bus transmission	Communication between PLC CPU and safety signal module via base unit
RIO transmission	Serial communication between Motion CPU and Safety signal module
Safety signal	I/O signal in the safety circuit such as such safety door signal and light curtain
User safety sequence program	User sequence program for I/O control of the safety signal
User program	General name for user sequence program or Motion control program
Safety signal comparison sequence program	Program for PLC CPU to compare safety signal (Automatically created by Motion CPU.)
Speed monitoring sequence program	Program for PLC CPU to execute the speed monitoring (Automatically created by Motion CPU.)
Sequence programs for safety observation	General name for "Safety signal comparison sequence program" and "Speed monitoring sequence program"
SLS (Note-3)	Abbreviation for Safely-limited Speed.
SSM (Note-3)	Abbreviation for Safe Speed Monitor.
STO (Note-3)	Abbreviation for Safe torque off that shuts off servo amplifier main circuit power (primary contactor), or electronically shuts off power the servo motor within the servo amplifier
Shut-off	
SS1 (Note-3)	Abbreviation for Safe stop 1
SOS (Note-3)	Abbreviation for Safe operating stop
SS2 (Note-3)	Abbreviation for Safe stop 2
SBC (Note-3)	Abbreviation for Safe brake control

1 OVERVIEW

Generic term/Abbreviation	Description
External auxiliary pulse input	Safety signal input pulse for double feedback during speed monitoring
Small oscillation	Diagnostic function to check the consistency between the encoder feedback value and auxiliary pulse
Safety communication	Function for communicating safety data between safety stations on the same network.
Safety encoder	Encoder that is installed in a safety standard compatible motor.

(Note-1): This software is included in Motion controller engineering environment "MELSOFT MT Works2".

(Note-2): SSCNET: Servo System Controller NETwork

(Note-3): Function that are defined in IEC 61800-5-2

REMARK

For information about each module, design method for program and parameter, refer to the following manuals relevant to each module.

Item	Reference Manual	
Motion CPU module/Motion unit	Q173D(S)CPU/Q172D(S)CPU Motion controller User's Manual	
PLC CPU, peripheral devices for sequence program design, I/O modules and intelligent function module	Manual relevant to each module	
Operation method for MT Developer2	Help of each software	
SV13/SV22	<ul style="list-style-type: none"> Multiple CPU system configuration Performance specification Design method for common parameter Auxiliary and applied functions (common) 	Q173D(S)CPU/Q172D(S)CPU Motion controller Programming Manual (COMMON)
	<ul style="list-style-type: none"> Design method for Motion SFC program Design method for Motion SFC parameter Motion dedicated PLC instruction 	Q173D(S)CPU/Q172D(S)CPU Motion controller (SV13/SV22) Programming Manual (Motion SFC)
	<ul style="list-style-type: none"> Design method for positioning control program in the real mode Design method for positioning control parameter 	Q173D(S)CPU/Q172D(S)CPU Motion controller (SV13/SV22) Programming Manual (REAL MODE)
SV22 (Virtual mode)	<ul style="list-style-type: none"> Design method for mechanical system program 	Q173D(S)CPU/Q172D(S)CPU Motion controller (SV22) Programming Manual (VIRTUAL MODE)
SV22 (Advanced synchronous control)	<ul style="list-style-type: none"> Design method for synchronous control parameter 	Q173DSCPU/Q172DSCPU Motion controller (SV22) Programming Manual (Advanced Synchronous Control)

1.1 Functional Overview

Motion controller has safety observation functions such as safety signal comparison, speed monitoring function, safe speed monitor, shut-off function, standstill monitoring, and safe brake control in addition to the general purpose Motion control functions. Furthermore, for Motion CPUs that support safety communication function, a safety communication compatible servo amplifier and safety encoder may be included in the system.

All the safety of human lives and properties are not guaranteed by these functions. Execute risk assessment by user and reduce the level of risk until the residual risk is less than the tolerable risk.

- Safety signal comparison

A safety signal is input/output to/from PLC CPU and Motion CPU. The CPUs compare the safety signals. The power will be shut off if error occurs.

- Speed monitoring function (SLS)

PLC CPU and Motion CPU monitor if the motor speed does not exceed the safety speed. The power will be shut off if error occurs.

- Safe speed monitor (SSM)

SSM outputs the safety signal indicating the motor speed is safety speed or lower.

- Shut-off function (STO, SS1)

This function is composed of SS1 and STO. SS1 function initiates the motor deceleration and initiates the STO function after an application specific time delay. STO function shuts power to the motor.

- Standstill monitoring (SOS, SS2)

This function is composed of SOS and SS2. SS2 function initiates the motor deceleration and initiates the STO function after an application specific time delay. SOS function monitors if the motor stand still while power is being supplied.

- Safe brake control (SBC)

Two control signals for holding the motor by brake are output.

- Safety communication function 

Communicates safety information with the servo amplifier by using the safety communication function in a system compatible with safety communication.

Also checks the operation and status of safety observation functions in the servo amplifier with the safety sequence program of the user.

Speed monitoring function and standstill monitoring can be performed using a safety encoder.

- (1) Correspondence table for function name of EN standards and safety observation function in a Motion system.

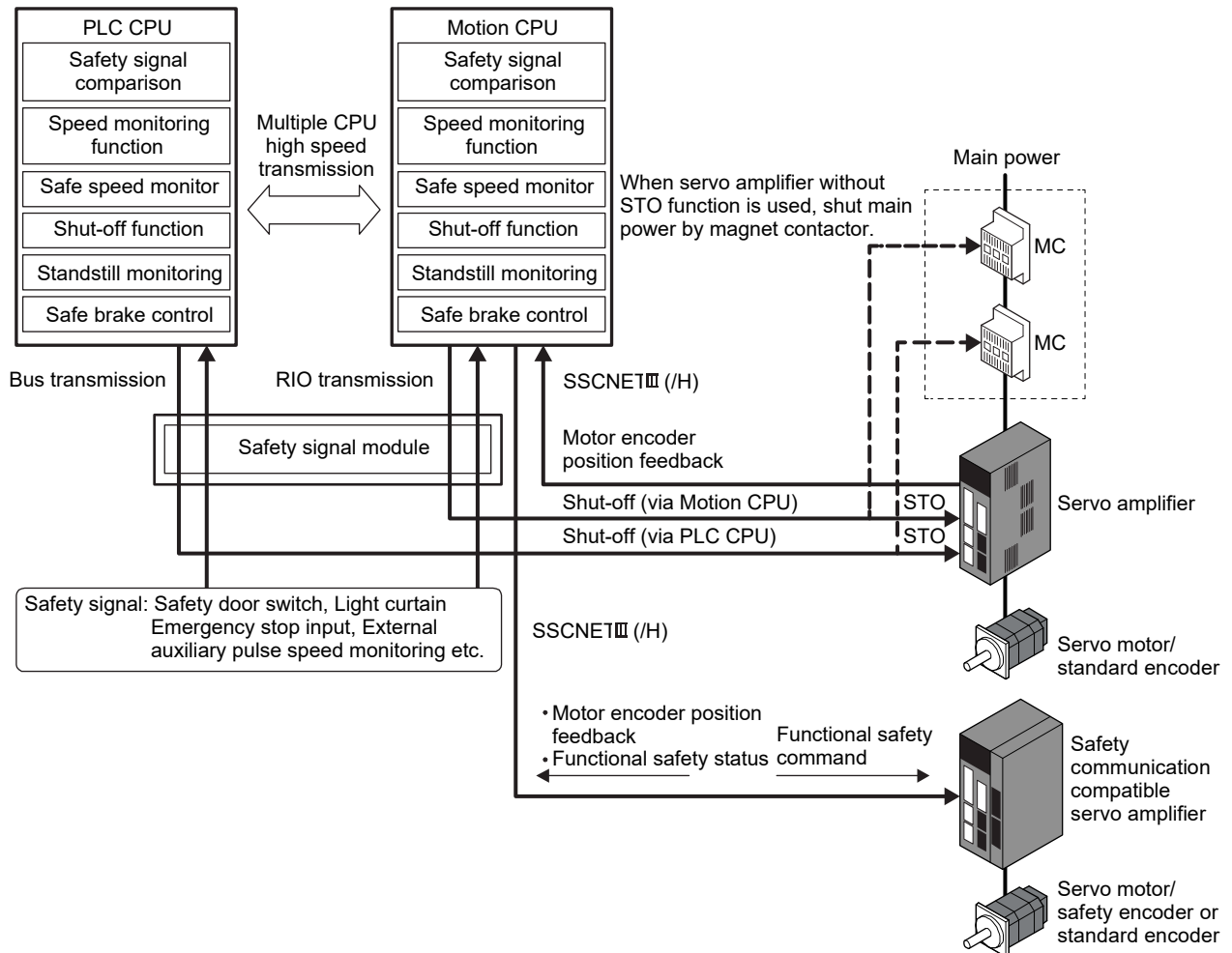
Abbreviation	Function name	
	EN 61800-5-2	Motion system
SLS	Safely-limited Speed	Speed monitoring function
SSM	Safe Speed Monitor	Safe speed monitor
STO	Safe Torque Off	Shut-off function
SS1	Safe Stop 1	
SOS	Safe Operating Stop	Standstill monitoring
SS2	Safe Stop 2	
SBC	Safe Brake Control	Safe brake control

1 OVERVIEW

(2) Safety specification

Item	Specification
Category	Category3 (EN ISO13849-1)
Safety Integrity Level	SIL CL2 (EN62061)
Performance Level	PL d (EN ISO13849-1)
MTTFd	169 years or longer
DC	Low
PFH	$2.17 \times 10^{-8} \text{ hr}^{-1}$
Safety observation functions	Safety signal comparison, safety communication (IEC61784-3:2010), STO, SS1, SS2, SOS, SLS, SBC, SSM (IEC61800-5-2:2007)

(Note): Only processing block is included in the scope of safety specifications. Input block (including sensor) and output block (contactor and safety servo STO function) are not included.



1.2 System Configuration

Safety observation function is configured by Motion CPU built-in safety observation (Q17□DSCPU/Q17□DCPU-S1), PLC CPU and safety signal module (Q173DSXY). Wire two signals to the safety signal module for PLC CPU and Motion CPU. The safety observation is executed in the Motion CPU and PLC CPU individually.

The speed monitoring function monitors both the command speed and feedback speed. It also uses external auxiliary pulses to ensure safety when the motor is stopped.

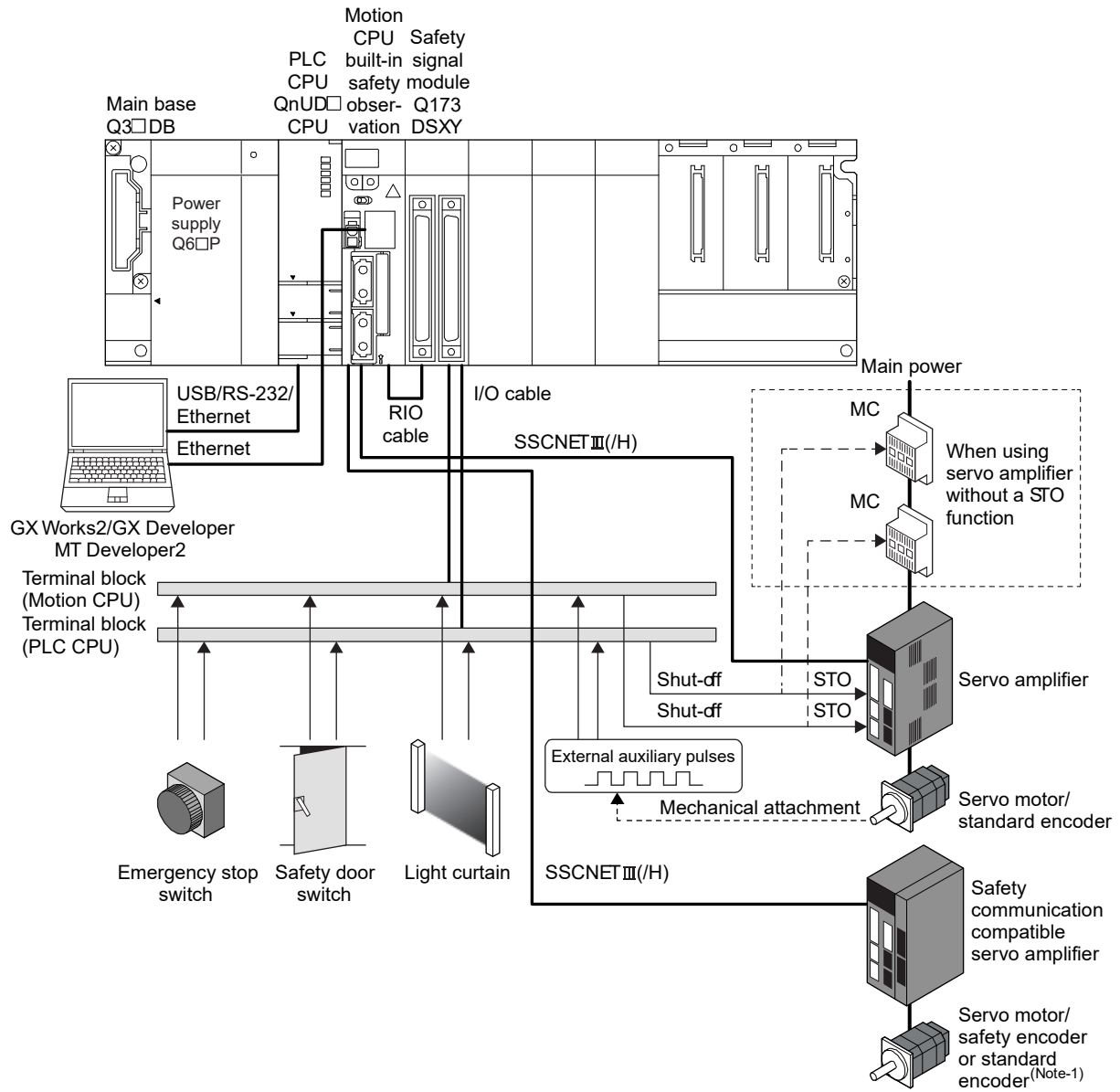
When performing speed monitoring function with a safety encoder compatible Motion CPU and safety encoder compatible servo amplifier, external auxiliary pulse input is not necessary.

Refer to "Functional safety unit MR-D30 Instruction Manual" for details of safety communication function compatible servo amplifiers and safety encoder compatible servo amplifiers.

Only one PLC CPU (CPU No.1) and one Motion CPU (CPU No.2) execute safety observation. The other CPUs (CPU No.3 or later) cannot execute safety observation.

1 OVERVIEW

The diagram below shows the system configuration for safety observation function.



(Note-1): When performing standstill monitoring, an external auxiliary pulse generator is required.

1 OVERVIEW

System combinations that support safety observation function, and the safety observation functions that can be applied by the Motion CPU are shown below.

Motion CPU	Servo amplifier	Encoder	Safety observation function						
			STO	SS1	SS2	SOS	SLS	SBC	SSM
Not safety encoder compatible (Note-1)	Not safety encoder compatible	Standard encoder	○	○	×	×	○	○	○
		Standard encoder and external auxiliary pulse	○	○	○	○	○	○	○
		Safety encoder (Note-2)	○	○	×	×	○	○	○
	Safety encoder compatible	Standard encoder	○	○	×	×	○	○	○
		Standard encoder and external auxiliary pulse	○	○	○	○	○	○	○
		Safety encoder	○	○	×	×	○	○	○
Safety encoder compatible	Not safety encoder compatible (Note-1)	Standard encoder	○	○	×	×	○	○	○
		Standard encoder and external auxiliary pulse	○	○	○	○	○	○	○
		Safety encoder (Note-2)	○	○	×	×	○	○	○
	Safety encoder compatible	Standard encoder	○	○	×	×	○	○	○
		Standard encoder and external auxiliary pulse	○	○	○	○	○	○	○
		Safety encoder	○	○	○	○	○	○	○

○: Can be applied

×: Cannot be applied

(Note-1): Assumed as safety communication function compatible.

(Note-2): When a safety encoder is connected to a servo amplifier not compatible with safety encoders, the safety encoder functions as a standard encoder.

1 OVERVIEW

1.2.1 Q173DSXY Safety signal module

The safety signal module is the I/O combined module that has 20 input points ×2 lines and 12 output points ×2 lines. (Number of occupied I/O points: 32 points per slot)

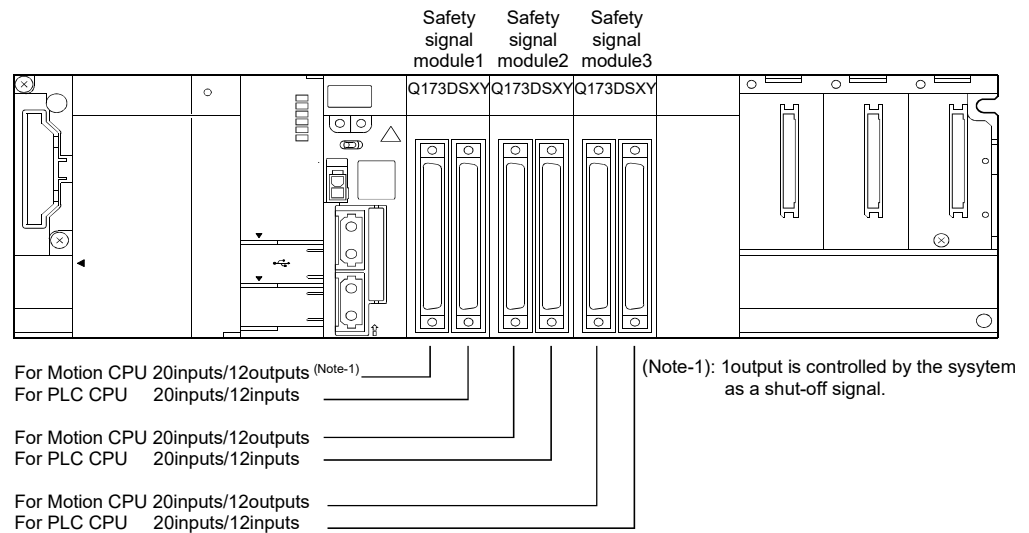
Up to three safety signal modules can be used. The safety signal module cannot be used on the extension base unit.

One output point is controlled by the system as a shut-off signal. (Safety observation is normal: ON, abnormal: OFF)

Communication method is the following:

- Bus communication between safety signal module and PLC CPU
- Remote I/O communication between safety signal module and Motion CPU

Refer to the "Q173D(S)CPU/Q172D(S)CPU Motion controller User's Manual" for details of I/O specifications and installation.




	I/O device No. (Note-1)		Application
Safety signal module 1	Input	X□+00 to X□+09 X□+10 to X□+19	For safety signal input
		X□+0A to X□+0F X□+1A to X□+1F	Return signal (Y□+0A to Y□+0F) Return signal (Y□+1A to Y□+1F)
	Output	Y□+0A	Shut-off signal (Controlled by system)
		Y□+0B to Y□+0F Y□+1A to Y□+1F	For safety signal output
Safety signal module 2	Input	X□+00 to X□+09 X□+10 to X□+19	For safety signal input
		X□+0A to X□+0F X□+1A to X□+1F	Return signal (Y□+0A to Y□+0F) Return signal (Y□+1A to Y□+1F)
	Output	Y□+0A to Y□+0F Y□+1A to Y□+1F	For safety signal output
Safety signal module 3	Input	X□+00 to X□+09 X□+10 to X□+19	For safety signal input
		X□+0A to X□+0F X□+1A to X□+1F	Return signal (Y□+0A to Y□+0F) Return signal (Y□+1A to Y□+1F)
	Output	Y□+0A to Y□+0F Y□+1A to Y□+1F	For safety signal output

(Note-1): □ is the setting value of start device number for safety signal comparison parameter. (for each module)

1 OVERVIEW

1.3 Applicable Standard

Motion controller complies with a safety standard, but this fact does not guarantee that Product will be free from any malfunction or failure. The user of this Product shall comply with any and all applicable safety standard, regulation or law and take appropriate safety measures for the system in which the Product is installed or used and shall take the second or third safety measures other than the Product. MELCO is not liable for damages that could have been prevented by compliance with any applicable safety standard, regulation or law.

	Safety observation function	Certification standards				
1	Safety signal comparison	<table border="1"><tr><td>1</td><td>EN ISO13849-1: Category3 PLd</td></tr><tr><td>2</td><td>EN 62061 (SIL CL 2)</td></tr></table>	1	EN ISO13849-1: Category3 PLd	2	EN 62061 (SIL CL 2)
1	EN ISO13849-1: Category3 PLd					
2	EN 62061 (SIL CL 2)					
2	Speed monitoring function (SLS)					
3	Safe speed monitor (SSM)					
4	Shut-off function (STO, SS1)					
5	Standstill monitoring (SS2, SOS)					
6	Safe brake control (SBC)					
7	Safety communication function 					

For Declaration of Conformity (DoC), MITSUBISHI ELECTRIC EUROPE B.V., declares that the Motion controllers are in compliance with the necessary requirements and standards (2006/42/EC, 2004/108/EC and 2006/95/EC). You can obtain the copy of Declaration of Conformity from our website.

1.4 Risk Assessment

Define all risk assessments and residual risks for the whole machine to ensure safety. The company and/or individuals who constructed the system take responsibility for everything in terms of safety system installation and commission. In addition, to correspond to EC Machinery Directive, the safety standard needs to be certified as the whole system.

Execute all risk assessment and safe level verification for the equipment and the whole system. It is recommended to use third-party certifier as a final certifier of the system.

The residual risk in safety observation function of this product is shown below.

- This function does not detect errors among the parameters and programs that are set by you. Therefore, safety of machines cannot be secured unless the safety operation test is performed on the machines.
- At the shipment to end-users, confirm the safety related setting by monitoring status and displayed details of the programming tools and displays. Also, record and save the setting data of safety-related information and programming tools by using check sheet, etc.
- Safety cannot be secured unless assembling, installation, wiring and adjustment of the machine are completed. For the installation, wiring and adjustment, follow the instructions in the user's manual of each module.
- Only qualified personnel are authorized to install, start-up, repair or service the machines in which components are installed. Only trained engineers should install and operate the equipment. (ISO 13849-1 Table F.1 No.5)
- Separate the wiring for safety observation function from other signal wirings. (ISO 13849-1 Table F.1 No.1)
- Protect the cables with appropriate ways (routing them in a cabinet, using a cable guard, etc.)
- To use the switch, relay and sensor which complies with the safety standards is recommended. In case of using the switch, relay and sensor which does not comply with the safety standard, please apply them for the certifications.
- Keep the required clearance/creepage distance depending on voltage.
- Time to detect the safety observation error depend on the process cycle of safety observation of each CPU.

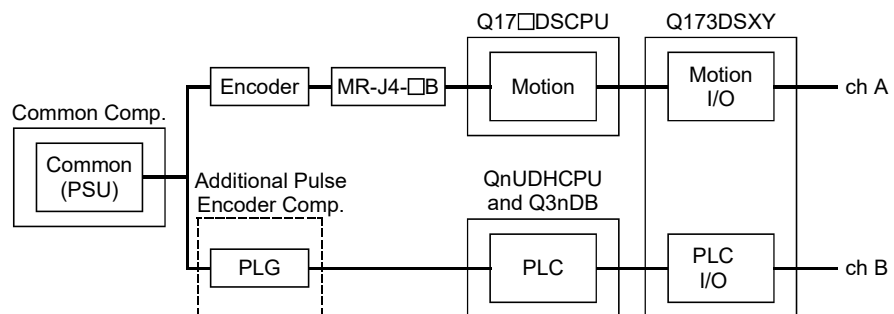
The residual risk in each function of safety observation function is shown below.

1.4.1 Safety signal comparison

- (1) Make sure that the mounting location of the safety signal module, MT Developer2 number head device, and GX Works2/GX Developer I/O assignments are correctly set.
- (2) When a signal error occurs, make sure that safety is secured within the signal mismatch permissible time that is set by a parameter.
- (3) Even when a signal error occurs, the servo motor does not stop automatically. Give a (forced) stop command and execute a forced stop processing.
- (4) Make sure that the ladder name to be written to a PLC CPU is not the same as that of sequence programs for safety observation.
- (5) Make sure that the safety signal is properly input via two different paths.
- (6) Make sure that the screws will not get loose after fixing the connector on the safety signal module.
- (7) Make sure that all the modules are firmly inserted into the main base unit or extension base unit.
- (8) Scan time processing must be within 100ms so that PLC CPU performs the comparison function within a certain process time. Make sure that the program contents can be handled less than 100ms. If the scan time is 100ms or longer, PLC CPU should be added for safety to distribute the load of the safety process.

1.4.2 Speed monitoring function (SLS)

- (1) Under the condition that the failure rate of the additional pulse encoder components does not exceed 195FIT/395FIT the resulting PFD/PFH will be less than 195FIT/395FIT. (See below diagram.)



- (2) Avoid the continuous use (about 8 hours) of the same Speed Monitor parameter block to prevent the accumulation of errors.

- (3) Safely-limited Speed function guarantees the motor control (the motor rotation speed), but it does not guarantee the actual machine safety speed. Make sure to set parameters so that the safety speed of the machine is the same as the safety speed of the motor.
- (4) When using Safely-limited Speed function when there is no speed command from the Motion controller or the command speed is 0, using an external encoder (external auxiliary input pulses), or a safety encoder and switching to Safe Operating Stop (SOS) is required.
- (5) The accuracy of safety speed observation depends on the performance of the external auxiliary pulses, or the safety encoder. Therefore, when using external auxiliary pulses, the number of the external input pulses for safety speed must be determined considering the external auxiliary pulses resolution and the allowance input pulse frequency.
- (6) Check if the rotation speed of the monitored servo axis is the same as the actual speed by using a tachometer, etc. considering the speed includes an error caused by the encoder resolution of the external auxiliary input pulses.
- (7) The defect of the mechanical section such as slid of shaft and wanting of a timing belt, etc is not covered. Be sure to eliminate the risk of mechanical section before operation.
- (8) Speed monitoring error detection time is set in the unit of 10ms, but the time resolution in the actual operation is 25ms. Error in shorter than this time are not detected.
- (9) Create sequence program so that Scan time is within 25ms to make sure that PLC CPU performs the safety observation function within a certain process time. If scan time is 25ms or longer, PLC CPU should be added to distribute the load of the process.
- (10) Safety observation error (shutdown signal OFF) does not occur during the time set by the safety observation parameters after speed is over the limit. Make sure that safety can be ensured during this period.
- (11) The error occurs when detected speed is different between the motor encoder and the external auxiliary input pulse, and the time required to detect the error depends on the frequency of the external auxiliary pulse. Determine the number of external input pulse considering the error detection risk.

1.4.3 Safe speed monitor (SSM)

- (1) If the safety output condition of SSM is used as a restart trigger, incidental start-up cannot be prevented. A restart interlock must comply with EN60204-1. However, using it as the operation ready signal is possible.

1.4.4 Shut-off function (STO, SS1)

- (1) STO function disables energy supply to the servo motor by electrical shut-off. The function does not mechanically disconnect electricity from the motor. Therefore, it cannot prevent exposure to electric shock, install a magnet contactor or a molded case circuit breaker to the main circuit power supply (L1, L2, and L3) of the servo amplifier.
- (2) STO function can disable the energy to servo motor by the electrical shutoff. This function does not guarantee the procedure of stopping the servo motor and deceleration control.
- (3) SS1 function only guarantees the delay time before STO becomes effective.
- (4) If SS1 delay time is shorter than servo motor deceleration time, or forced stop function has an error, STO becomes effective during motor rotation, dynamic brake stop or free-run stop is activated.
- (5) Even if STO function becomes effective with a STO switch, voltage may be left in the servo motor due to the inherent delay of the equipment.
- (6) When the servo amplifier is replaced, make sure that new one is the same type as the old one. After installation, make sure to check the performance of safety observation function before operating the system.
- (7) Check the safety at a certain cycle, or with machinery which is defined by the safety standard to prevent the accumulation of failures. Check the safety at least once a day regardless of system safety level.
- (8) If a power module of a servo amplifier shorted at the upper and lower positions, the servo motor axis rotates half at maximum. For a linear servo motor, the primary side will move a distance of pole pitch.
- (9) Make sure to supply STO input signals (STO1, STO2) from one power supply. Otherwise, the STO function may not function properly due to a sneak current, failing to bring the STO shut-off state.
- (10) For the STO I/O signals of the STO function, supply power by using a safety extra low voltage (SELV) power supply with the reinforced insulation.

1.4.5 Standstill monitoring (SOS, SS2)

- (1) The position dependent safety observation function (SOS) is based on two independent safety-related sensors. One of them is part of the motor, which has a built-in encoder (for functional motion control); the other must be provided by the customer's application (e.g. an external sensor, PLG).
For standstill monitoring when using a safety encoder, an external auxiliary pulse signal is not necessary.
- (2) During Safe Operating Stop, make sure that monitoring status is enabled by small oscillation before a certain period of time (about one hour) elapses in the stop status. However, an error cannot be detected in the check interval. (The derivation of failure until next check cannot be detected.) If stop time becomes long, use Safe Brake Control (SBC) as mechanical lock or perform Safe Torque Off (STO).
- (3) Avoid the continuous use of Safe Operating Stop (SOS) for eight hours or more to prevent the accumulation of failure. If stop time becomes long, use Safe Brake Control (SBC) as mechanical lock or perform Safe Torque Off (STO).
- (4) Encoder position feedback data does not guarantee the range out of the small oscillation. Therefore, make sure that motor encoder feedback position can operate normally in the machine mobile region. At least, the performance check of motor mobile region is required.
- (5) The position assurance of the motor with SOS is 1.75 pulses, and 1 pulse with safety encoder with the external auxiliary input pulse conversion.

1.4.6 Safe brake control (SBC)

- (1) This function guarantees only that power to mechanic brake is properly supplied. Abrasion of the brake cannot be detected. Make sure regularly that the mechanic brake operates.

1.4.7 Safety communication function

- (1) The safety communication function cannot detect an incorrect servo amplifier station number setting. Check that the station number setting for the Motion control program and the axis select rotary switch setting of servo amplifier match.
- (2) For servo amplifiers that support the safety communication function, check that safety communication is connected. Refer to Section 2.9.5 for details.
- (3) To ensure that PLC CPU executes the safety communication function within the safety communication cycle (refer to Section 3.4.1 (4) (c)), make a sequence program with the maximum scan time less than or equal to the value below. If the scan time of the sequence program exceeds the value below, add more PLC CPUs and distribute the processes.

$\text{Maximum scan time} \leq (\text{safety communication cycle} - 3.555[\text{ms}])$
--

- (4) Safety communication function can only be used with SSCNET III/H communication. Safety communication function cannot be used with SSCNET III communication.

1.5 Restrictions

There are following restrictions to use this function.

- (1) Install Q173DSXY into the main base unit.
It cannot be used on the extension base unit.
- (2) Q173DSXY is controlled by PLC CPU.
Q173DSXY can be connected to only Motion CPU (CPU No.2) in the Multiple CPU system. Do not connect Q173DSXY to Motion CPU (CPU No.3 or No.4). The safety observation functions cannot be executed in Motion CPU (CPU No.3 or No.4).
- (3) Some devices are used for safety observation process in the system. These devices cannot be used in user programs.
- (4) When a sequence program for safety observation is not stored in PLC CPU at the initial start-up, the sequence programs for safety observation is transferred from Motion CPU to PLC CPU. If PLC CPU starts running before completion of transfer, an error will occur in PLC CPU. Turn the power ON again or reset the PLC CPU.
- (5) Communication between Motion CPU and GX Developer/GX Works2 can be executed when the safety observation function parameters are set in the Motion CPU and the rotary switch (SW2) at the front side of CPU is changed to "1". Make sure to set the safety observation function parameters in the Motion CPU before communication.
- (6) MT Developer2 is required for safety observation settings in Motion CPU.
MT Developer cannot be used.
- (7) Instructions, device range and program capacity of sequence programs in Motion CPU differ from those of Q series PLC CPU. Confirm the instructions, device range and program capacity before creating the program.
- (8) Available functions in GX Developer/GX Works2 when sequence programs are created in Motion CPU differ from those of Q series PLC CPU. Confirm the available functions before creating the program.
- (9) A safety encoder, or external auxiliary pulse input is required for monitoring when the motor is stopped. The external auxiliary pulse input must be defined according to the input specification of the safety signal module (Q173DSXY).
- (10) Speed monitoring (SLS) and Standstill monitoring (SOS) cannot be executed in amplifier-less operation. Safety observation error will occur because there is no motor encoder feedback and external auxiliary pulse input.

- (11) It is recommended that operation cycle of Motion CPU is set to 0.8ms or more for safety observation function. If the operation cycle is set to shorter than 0.8ms, an operation cycle over will occur.
- (12) When safety observation function is enabled, the self-diagnostics of CPU module is executed after power supply ON. Therefore, the time until CPU module becomes RUN state is about 15 seconds longer than time without safety observation function.
- (13) Safety observation functions cannot be used in combination with the high-speed universal model QnUDVCPULC CPU module.

1 OVERVIEW

1.6 Equipment Configuration of Safety Observation Function Compatible Motion Controller

(1) Module list (safety observation function compatible product)

Part name	Model name	Description
PLC CPU module (Note-1)	Q03UDCPU	Program capacity 30k steps, LD instruction processing speed 0.02μs
	Q04UDHCPU	Program capacity 40k steps, LD instruction processing speed 0.0095μs
	Q06UDHCPU	Program capacity 60k steps, LD instruction processing speed 0.0095μs
	Q10UDHCPU	Program capacity 100k steps, LD instruction processing speed 0.0095μs
	Q13UDHCPU	Program capacity 130k steps, LD instruction processing speed 0.0095μs
	Q20UDHCPU	Program capacity 200k steps, LD instruction processing speed 0.0095μs
	Q26UDHCPU	Program capacity 260k steps, LD instruction processing speed 0.0095μs
	Q03UDECPU	Program capacity 30k steps, LD instruction processing speed 0.02μs,Built-in Ethernet port
	Q04UDEHCPU	Program capacity 40k steps, LD instruction processing speed 0.0095μs,Built-in Ethernet port
	Q06UDEHCPU	Program capacity 60k steps, LD instruction processing speed 0.0095μs,Built-in Ethernet port
	Q10UDEHCPU	Program capacity 100k steps, LD instruction processing speed 0.0095μs,Built-in Ethernet port
	Q13UDEHCPU	Program capacity 130k steps, LD instruction processing speed 0.0095μs,Built-in Ethernet port
	Q20UDEHCPU	Program capacity 200k steps, LD instruction processing speed 0.0095μs,Built-in Ethernet port
	Q26UDEHCPU	Program capacity 260k steps, LD instruction processing speed 0.0095μs,Built-in Ethernet port
Q50UDEHCPU	Program capacity 500k steps, LD instruction processing speed 0.0095μs,Built-in Ethernet port	
Q100UDEHCPU	Program capacity 1000k steps, LD instruction processing speed 0.0095μs, Built-in Ethernet port	
Motion CPU module	Q173DSCPU	Safety observation function compatible (Max. 32 axes control)
	Q172DSCPU	Safety observation function compatible (Max. 16 axes control)
	Q173DCPU-S1	Safety observation function compatible (Max. 32 axes control)
	Q172DCPU-S1	Safety observation function compatible (Max. 8 axes control)
Safety signal module	Q173DSXY	Input: 20 points (2 lines), Output: 12 points (2 lines)
Main base unit	Q35DB	Multiple CPU high speed bus (4 slots), Number of I/O modules: 5 slots
	Q38DB	Multiple CPU high speed bus (4 slots), Number of I/O modules: 8 slots
	Q312DB	Multiple CPU high speed bus (4 slots), Number of I/O modules: 12 slots

(Note-1): Use PLC CPU module which the first five digits of the serial number are "10102" or later.

(2) Servo amplifiers (safety observation function compatible product)

Part name	Model name	Description	Supported version
Servo amplifier (Note-2)	MR-J4-□B-□RJ	Safety observation function compatible	"B3" or later (Note-3) "B5" or later (Note-4)
Functional safety unit (Note-2)	MR-D30	Safety observation function compatible	"A0" or later (Note-3) "A1" or later (Note-4)

(Note-2): Required when using safety communication function

(Note-3): When using safety communication function (safety encoder not used)

(Note-4): When using safety communication function and safety encoder

1 OVERVIEW

(3) Software package list

Product name	Model name	Description	Supported version
Operating system software package	SW8DNC-SV13QJ	Conveyor assembly use (SV13), compatible with Q173DSCPU	"00A" or later (Note-3)
	SW8DNC-SV13QL	Conveyor assembly use (SV13), compatible with Q172DSCPU	"00E" or later (Note-4)
	SW8DNC-SV22QJ	Automatic machinery use (SV22), compatible with Q173DSCPU	"00G" or later (Note-5)
	SW8DNC-SV22QL	Automatic machinery use (SV22), compatible with Q172DSCPU	
	SW8DNC-SV13QB	Conveyor assembly use (SV13), compatible with Q173DCPU-S1	"00N" or later (Note-2)
	SW8DNC-SV13QD	Conveyor assembly use (SV13), compatible with Q172DCPU-S1	"00S" or later (Note-3)
	SW8DNC-SV22QA	Automatic machinery use (SV22), compatible with Q173DCPU-S1	
	SW8DNC-SV22QC	Automatic machinery use (SV22), compatible with Q172DCPU-S1	
MELSOFT MT Works2 (MT Developer2 (Note-1))	SW1DNC-MTW2-E	Motion controller engineering environment	"1.03D" or later (Note-2) "1.39R" or later (Note-3) "1.100E" or later (Note-4) "1.110Q" or later (Note-5)
GX Works2	SW1DNC-GXW2-E	Programmable controller engineering software	"1.15R" or later
GX Developer	SW8D5C-GPPW-E	MELSEC PLC programming software package	"8.68W" or later

(Note-1): This software is included in Motion controller engineering environment "MELSOFT MT Works2".

(Note-2): In the case of using only safety signal comparison function.

(Note-3): In the case of using both safety signal comparison function and speed monitoring function.

(Note-4): In the case of using safety observation functions with safety signal comparison function, speed monitoring function, and safety communication function.

(Note-5): In the case of using safety observation functions with safety signal comparison function, speed monitoring function, safety communication function, and safety encoder.

Refer to the "Q173D(S)CPU/Q172D(S)CPU Motion controller User's Manual" for "Installation and wiring" and "Inspection and maintenance" of safety observation function compatible Motion controller.

2. SAFETY OBSERVATION FUNCTION

This chapter describes the safety observation function performed by safety observation function compatible Motion CPU.

2.1 Configuration of Safety Observation Function

The safety observation function is structured by the following:

- Safety signal comparison which monitors the signal mismatch status with input/output signals on both CPUs side.
- Speed monitoring which monitors if the motor speed exceeds the safety speed or not.
- User safety sequence program which controls safety signal output.
- Safety communication with safety communication compatible servo amplifiers.

Motion CPU and PLC CPU execute the safety observation function.

(1) Safety signal comparison, Speed monitoring function

Motion CPU executes safety signal comparison and speed monitoring function as internal processing. And, PLC CPU executes these functions in the sequence program created automatically by Motion CPU. (Refer to Section 2.2 (1).)

(2) User safety sequence program

The safety circuit is configured as a software program instead of hard-wired safety relay logic.

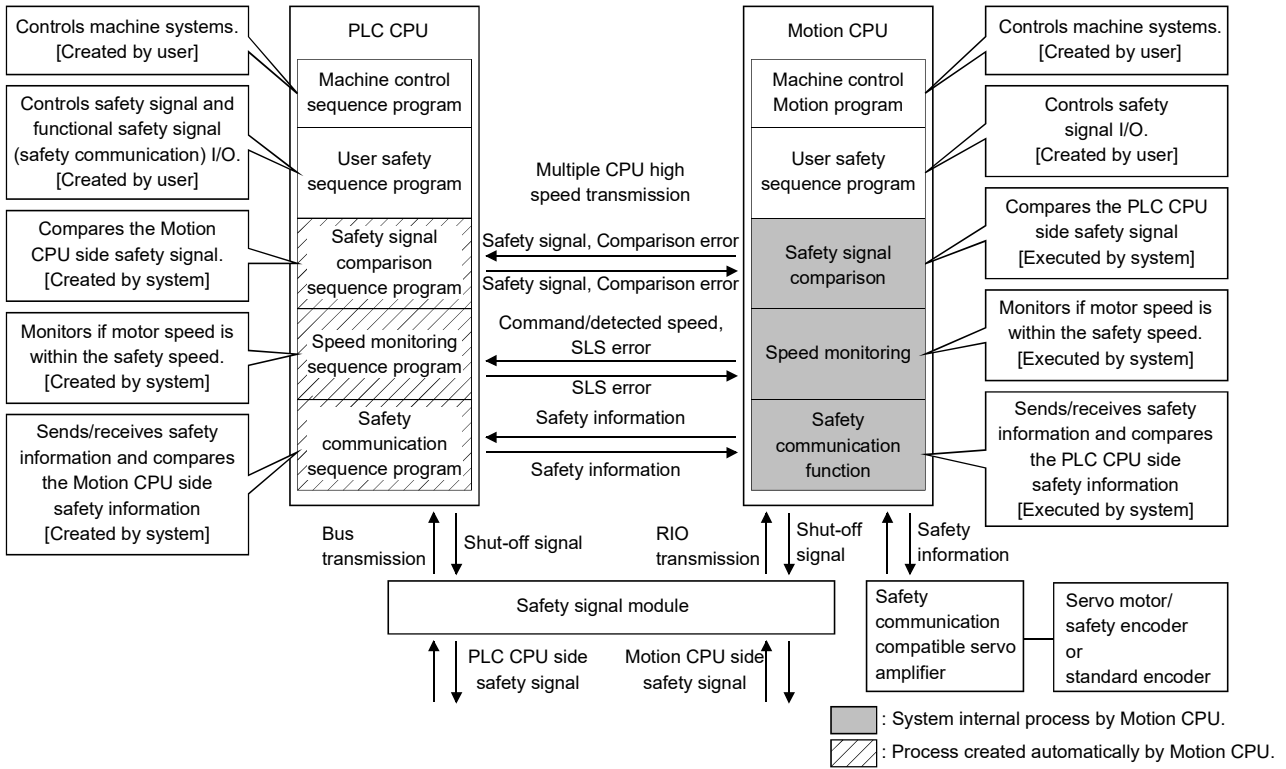
Store the same logic program to each of the CPUs. The CPUs check the processing of the program.

2 SAFETY OBSERVATION FUNCTION

(3) Safety communication function

Communicates safety information with the servo amplifier by using the safety communication in a system compatible with safety communication.

Also checks the operation and status of safety observation functions in the servo amplifier with the safety sequence program of the user.



2 SAFETY OBSERVATION FUNCTION

2.2 Sequence Programs for Safety Observation on PLC CPU

This section describes the procedure that the Motion CPU transfers the sequence programs for safety observation to PLC CPU and executes the comparison.

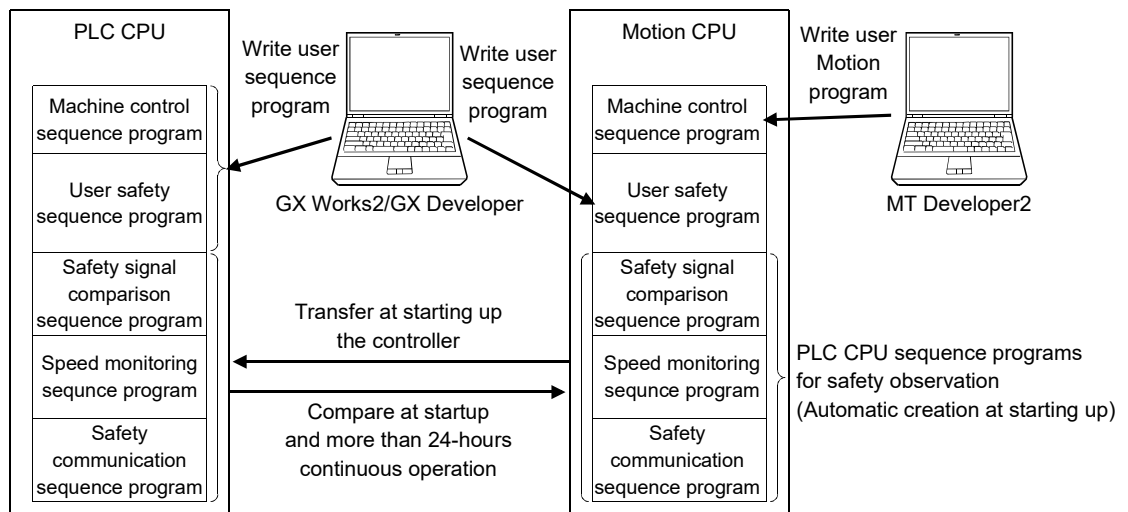
(1) Transfer of sequence programs for safety observation

The sequence programs for safety observation is embedded in Motion CPU system. The Motion CPU transfers the program to PLC CPU at the Multiple CPU system start.

The program is structured by the safety signal comparison sequence program (Program name: SSU_CMP), speed monitoring sequence program (Program name: SLS_CMP), and safety communication sequence program (Program name: SNT_CMP).

If the speed monitoring function is not to be used, the sequence program will not be transferred.

If the safety communication function is not to be used, the sequence program will not be transferred.



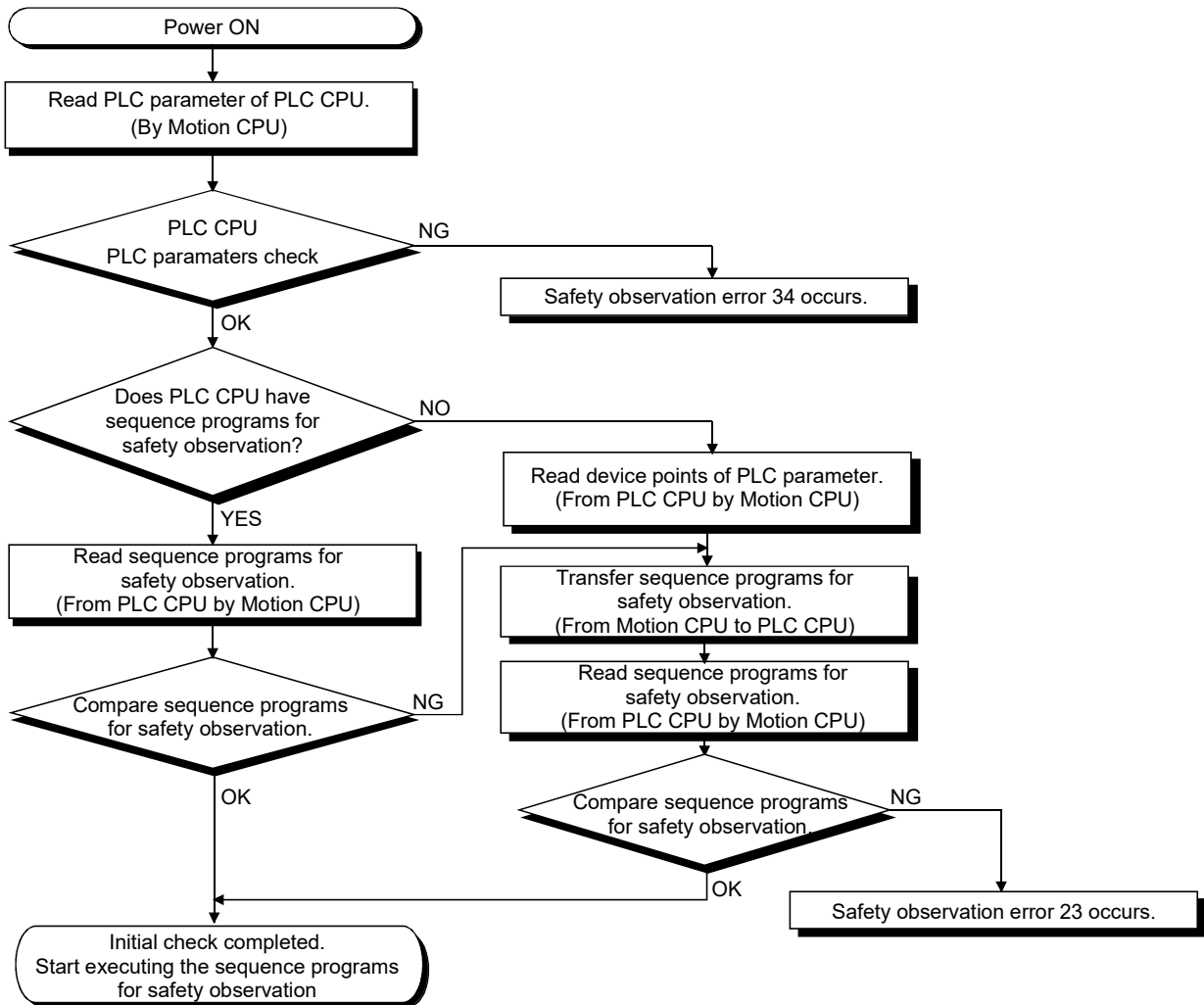
(2) Comparison of sequence programs for safety observation

After the sequence program is transferred to PLC CPU, the Motion CPU reads the sequence program from PLC CPU and compares the program with the original program to check if the sequence programs for safety observation has been transferred correctly. This check is executed every 24 hours (in case of 24-hours continuous operation) and at the start.

The shutoff signal will not be turned ON until the sequence programs for safety observation is confirmed as normal after the power ON.

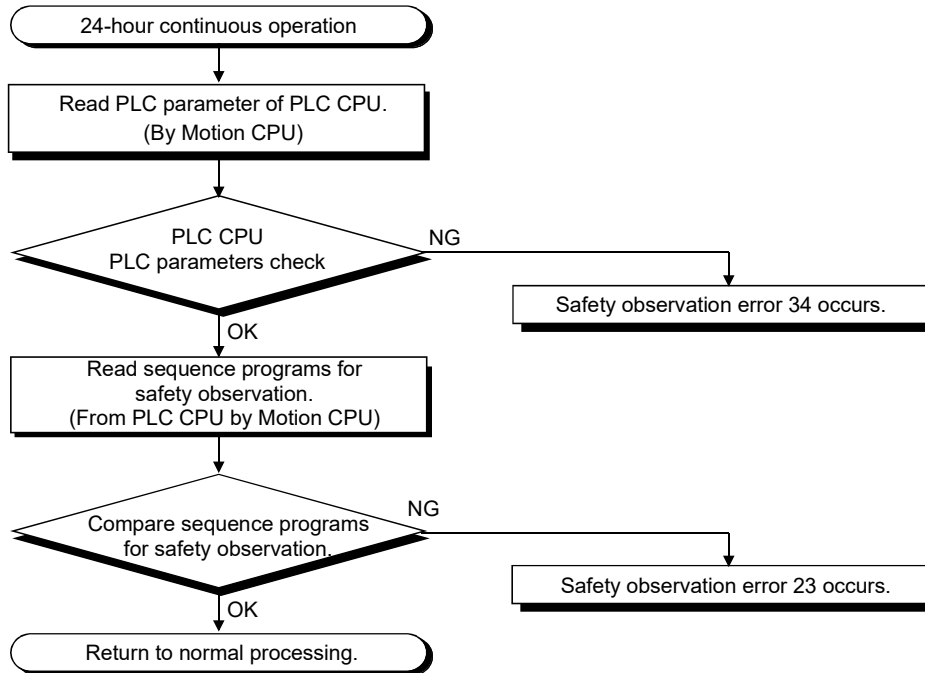
2 SAFETY OBSERVATION FUNCTION

(a) Comparison procedure of sequence programs for safety observation at power ON



2 SAFETY OBSERVATION FUNCTION

(b) Comparison procedure of sequence programs for safety observation in 24-hour continuous operation



POINTS

- (1) Do not erase or change the sequence programs for safety observation (Program name: SSU_CMP, SLS_CMP, SNT_CMP) of PLC CPU. If erased or changed, "Safety observation error (error code: 23)" will occur in case of 24-hours continuous power ON status.
- (2) When the sequence programs for safety observation (Program name: SSU_CMP, SLS_CMP, SNT_CMP) is incorrect, turn the power supply OFF to ON again. Safety is secured by reading the sequence programs for safety observation from Motion CPU again.

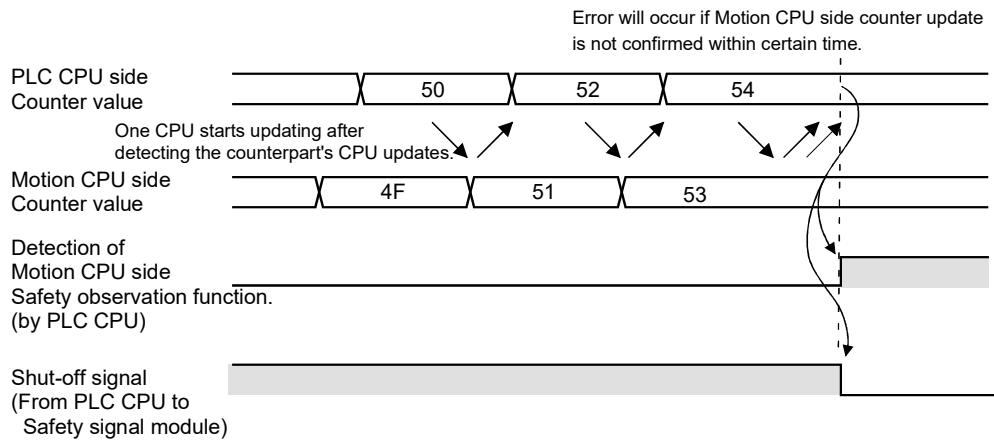
2 SAFETY OBSERVATION FUNCTION

2.2.1 Activity check in sequence programs for safety observation

PLC CPU and Motion CPU execute an activity check to ensure that both CPUs execute the safety observation function correctly.

One CPU checks if the counter of the other CPU is updated. If the counter is not updated within a certain period of time, an error will occur. The time to detect error is automatically determined depending on the PLC CPU scan time.

When the Motion CPU detects that the PLC CPU's safety signal comparison is not operated, "Safety observation error 24" will occur. When the PLC CPU detects that the Motion CPU's safety signal comparison is not operated, "Safety observation error 25" will occur. In both case, the shut-off signal will be turned OFF.

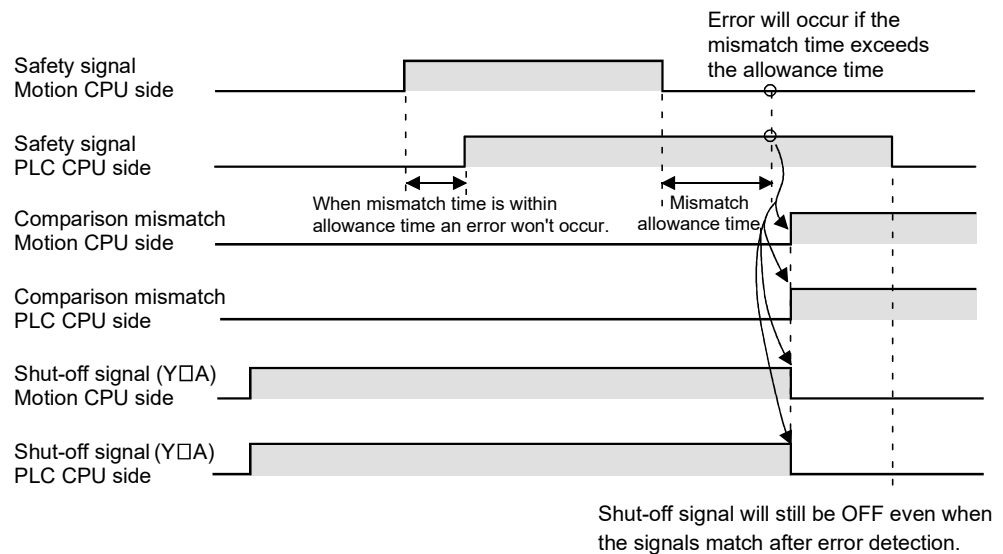


2 SAFETY OBSERVATION FUNCTION

2.3 Safety Signals Comparison

The input/output signals on Motion CPU side and PLC CPU side are compared. If the mismatch status of input/output signal exceeds the setting allowance time, "Safety observation error (error code: 20)" occurs, and the shut-off signal is turned OFF.

When each CPU detects a signal comparison error, the shut-off signal is turned OFF and the mismatch status is reported to the other CPU at the same time. Set the mismatch allowance time in consideration of the time lag of signal input and signal reading for each CPU.

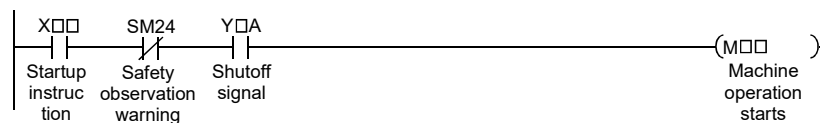


2.3.1 Re-start after error

When a signal comparison error occurs, turn ON the system's power supply after checking the wiring where the input error occurred and eliminating the error cause. Safety observation warning (SM24) is turned ON and "Safety comparison warning (error code: 11)" occurs after power ON. Turn ON/OFF the error signal during signal comparison. Release the warning by the reset operation (PLC ready flag (M2000) OFF to ON or Motion error detection flag ((M2039) ON to OFF) after confirming the signal input.

POINTS

- (1) Continuous operation with "Safety observation warning (error code: 11)" may damage the safety observation function due to accumulated errors. Safety observation warning (SM24) should be OFF when starting the machine operation after power ON.



- (2) When "Safety observation warning (error code: 11)" occurs, make sure to confirm that the signal is input properly by turning the error signal ON/OFF during the signal comparison. And, inform that this signal confirmation is required through a man-machine I/F such as the indicator.

2.4 Speed Monitoring Function (SLS)

2.4.1 System configuration of speed monitoring function

(1) Functions

Motion CPU and PLC CPU execute the following monitoring function.

- Command speed monitoring
: Command speed does not exceed the safety speed.
- Feedback speed monitoring
: Motor speed does not exceed the safety motor speed.
- Position deviation monitoring
: Difference between command position and feedback position does not exceed the allowance value.
- Speed deviation monitoring
: Difference between command speed and feedback speed does not exceed the allowance value
- External auxiliary pulse input monitoring
: Difference between accumulation of external auxiliary pulse input and feedback position does not exceed the allowance value

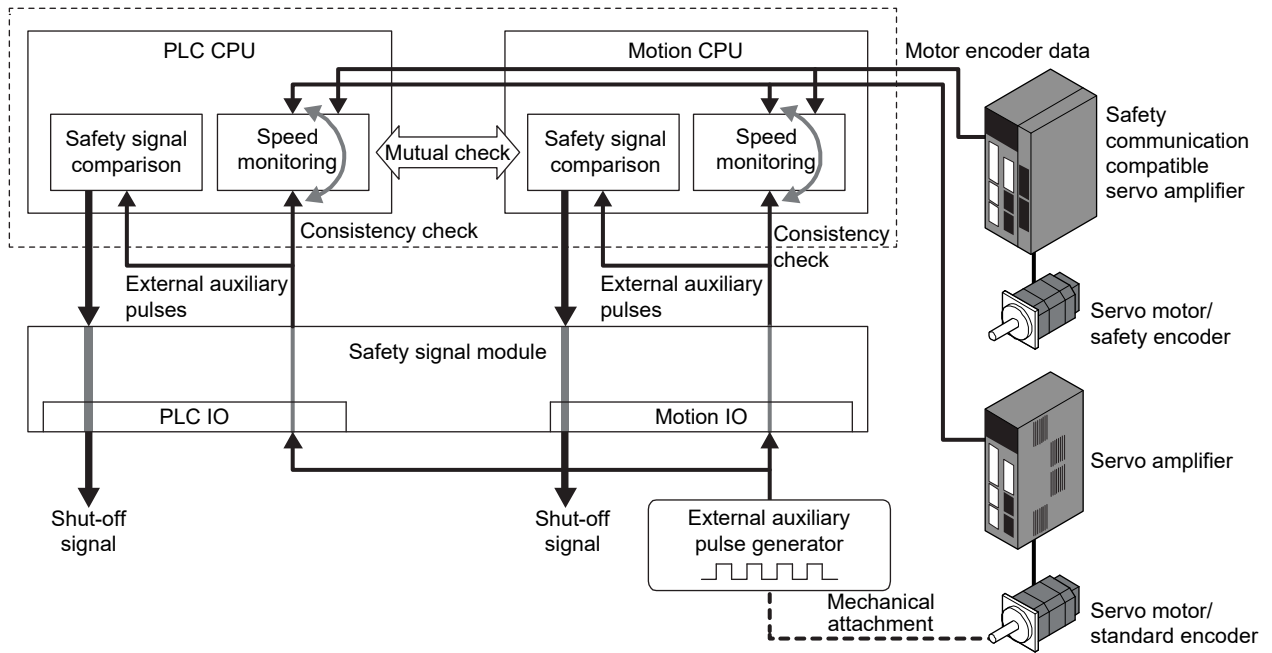
If the above speed and difference exceed the allowance value, the Safety observation error occurs and the shut-off signal is turned OFF. The response time (response time for input/output signal is excluded) of speed monitoring function is within 50 [ms].

The external auxiliary pulses are used as safety signals to confirm the validation of motor encoder. The external auxiliary pulse signal is input via safety signal module, and diagnosed by the safety signal comparison function. The validation of pulse signal is guaranteed by this diagnosis, so the special devices are not required.

When performing speed monitoring function with a safety encoder compatible servo amplifier and a safety encoder, external auxiliary pulse is not necessary. The safety response time of a system that uses a safety communication compatible servo amplifier is up to 250ms. The response time includes the maximum response time of the controlling section (PLC CPU and Motion CPU), communication delay, communication timeout, and the maximum time to start the STO of the servo amplifier. Take the above response time into account when shutting off power supply by the STO function in safety communication.

2 SAFETY OBSERVATION FUNCTION

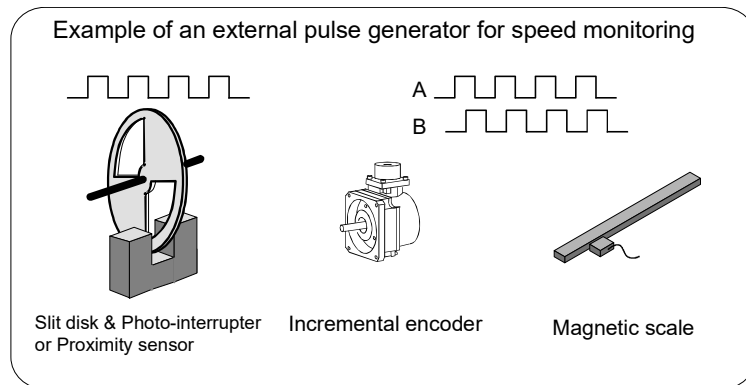
The system configuration for speed monitoring function is shown below.



2 SAFETY OBSERVATION FUNCTION

(2) External auxiliary pulse input

- (a) PLC CPU counts the number of leading edge of external auxiliary pulse during speed monitoring, and check the consistency between the motor feedback position from Motion CPU and the leading edge. Refer to the "Q173D(S)CPU/Q172D(S)CPU Motion controller User's manual" for input specification of external auxiliary pulse signal. It is recommended to use the pulse generator achieves the safety performance level required for system. Contact the manufacture for the safety reliability data of pulse generator



- (b) The input mode of external auxiliary pulse is the following. Input mode and count timing are shown below.

Pulse input mode	Count timing	
1-phase mode	A-phase	Up count by A-phase leading edge.
A-phase/B-phase mode (2-phase multiple of 1).	A-phase B-phase	Up count by A-phase leading edge when B-phase is OFF.
	A-phase B-phase	Down count by A-phase trailing edge, when B-phase is OFF.

POINTS

- (1) Be sure to use A-phase/B-phase mode during standstill monitoring so that rotation information is acquired.
- (2) In the case of 1-phase mode, internal counter counts up regardless of rotating direction. In the case of an operation pattern where the inverse rotation for motor rotating direction is repeated in a short time, a speed monitoring error may occur because an internal counter miscounts by input pulse chattering. Use A-phase/B-phase mode to prevent the miscount.

2 SAFETY OBSERVATION FUNCTION

- (c) The safety speed depends on the number of external auxiliary pulse per revolution and PLC CPU scan time. One pulse (ON to OFF, OFF to ON) must be longer than one scan time. If there are two or more pulse edges (OFF to ON, ON to OFF) in one scan, the count cannot be executed properly.

Calculate the detectable maximum speed (pulse frequency) from the longer time, the PLC CPU scan time or input response time.

Example)

Number of pulses per revolution of external pulse: 8 [pulse/rev]

PLC CPU scan time: 25 [ms] (In the case of maximum allowable scan time for speed monitoring function)

Input response time: 10 [ms]

- Maximum input frequency

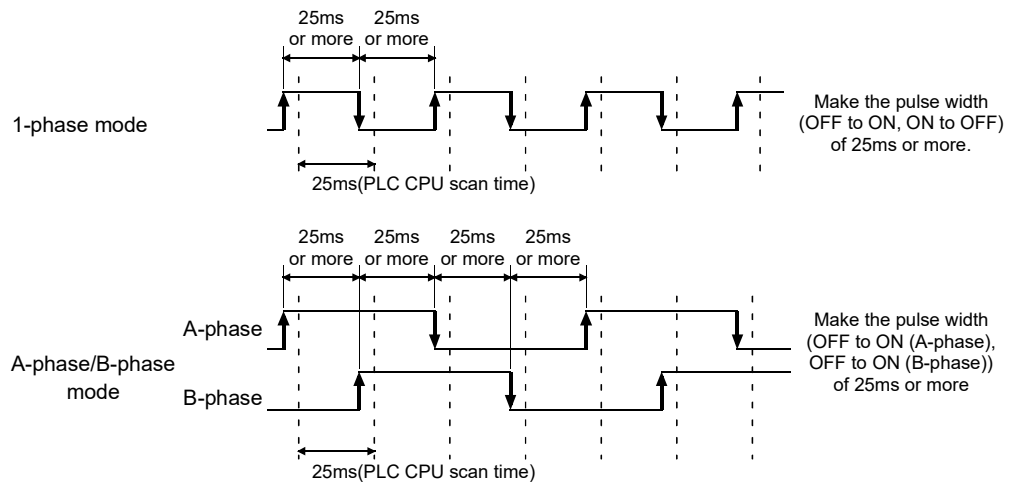
$$\frac{1}{25[\text{ms}] \times 10^{-3} \times 2 \text{ (Note-1)}} = 20 \text{ [Hz]} \text{ (20 [pulse/s])}$$

(Note-1): Two scans are required to detect the pulse input of OFF to ON.

- Detectable maximum speed

$$\frac{20[\text{Hz}] \times 60[\text{s/min}]}{8[\text{pulse/rev}]} = 150[\text{r/min}]$$

Set "150 [r/min] or less" as the safety speed of the external auxiliary pulse generation mechanism part.



2 SAFETY OBSERVATION FUNCTION

2.4.2 Timing of speed monitoring function

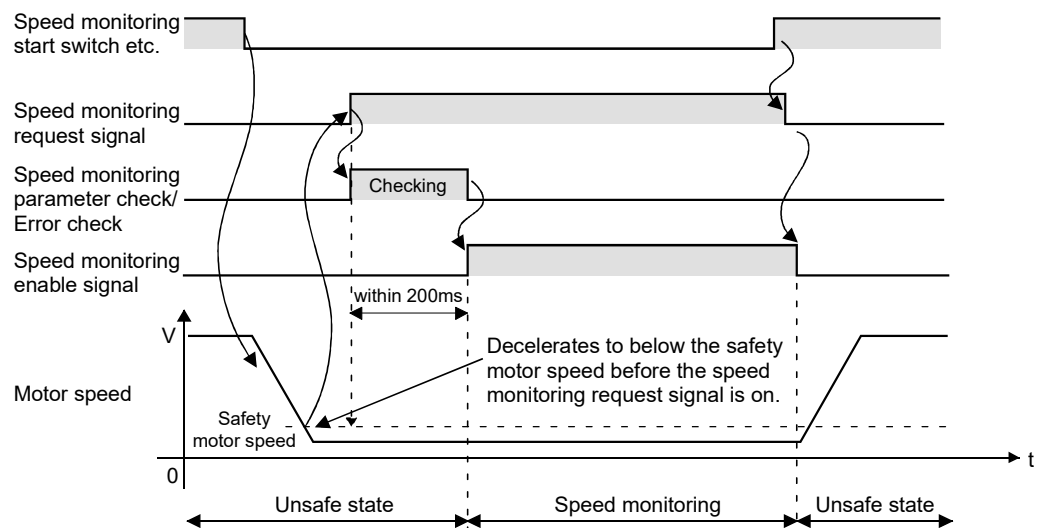
The speed monitoring function is started by the speed monitoring request signal. Turn on the speed monitoring request signal after the motor is decelerated to the safety motor speed or lower by the speed change instruction (CHGV) etc. in user program. If the speed monitoring request signal is turned ON when the motor speed exceeds the safety speed, "safety observation error (error code: 110)" occurs after speed monitoring error detection time, and the shut-off signal turns OFF. When the speed monitoring request signal is accepted within the safety speed, the following checks are executed.

- Safety observation error is not occurred.
- Parameter check (Refer to Section 2.4.4, 2.4.5) is completed correctly.
- Speed error detection check (Refer to Section 2.4.12) is completed correctly.

After the check is completed successfully, Motion CPU and PLC CPU start the speed monitoring, and the speed monitoring enable signal is turned ON. If any error occurs, the shut-off signal is turned OFF and the speed monitoring does not start.

If the speed monitoring request signal is turned ON when the safety observation error occurs, "Safety observation warning (error code: 210)" occurs and the speed monitoring does not start.

The speed monitoring is ended by turning OFF the speed monitoring request signal. Turn OFF the speed monitoring request signal after ensuring the safety in user program. When the speed monitoring is completed, the speed monitoring enabling signal is turned OFF, and the normal operation becomes available. In addition, the speed monitoring enable signal is not turned OFF even if the safety observation error is detected during speed monitoring.

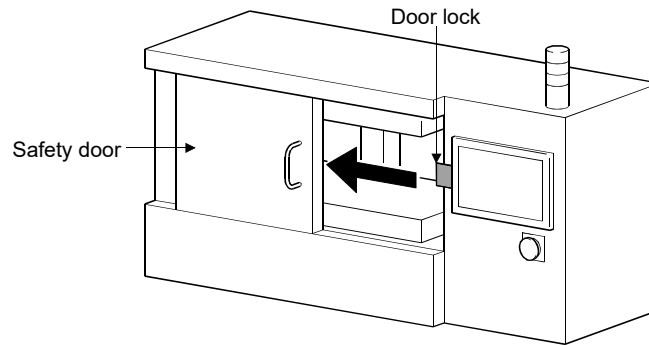


2 SAFETY OBSERVATION FUNCTION

2.4.3 Example of speed monitoring start operation

Safety door lock can be released only when the power is shut OFF for safety. However, in case that the door lock needs to be released without power shut-off such as in maintenance and preparation, speed monitoring function is required so that the device operate safely.

The operation example of speed monitoring start is shown below.



	Operator	User program	Motion CPU and PLC CPU process
Operation for door opening	1. Turns ON the start switch of speed monitoring function.	2. Decelerates the command speed to the safety speed or lower. 3. Turns ON "speed monitoring request signal".	4. Checks the parameter. 5. Starts speed monitoring.
	7. Confirms that the "speed monitoring enable signal" ON.	6. Turns ON "speed monitoring enable signal".	
	9. Opens the door	8. Releases the door lock.	
----- Safe status (during speed monitoring) -----			
Operation for door closing	10. Closes the door.	11. Confirms that the door is closed. 12. Locks the door.	
		13. Turns OFF "Speed monitoring request signal".	14. Ends the speed monitoring. 15. Turns OFF "Speed monitoring enable signal".

2 SAFETY OBSERVATION FUNCTION

2.4.4 Parameter consistency check

The monitoring speed is set by the speed monitoring parameter (for each parameter block). Set the following two parameters that have different type of unit to prevent the mis-setting.

- Safety speed : Load-side safety (limit) speed
[mm/min, inch/min, pulse/s, degree/min]
- Safety motor speed: Load-side safety (maximum) speed [r/min]
(The unit is [mm/s] when using linear motor.)

If the setting value is inconsistent, the "Safety observation error (error code: 101)" occurs, and the shut-off signal is turned OFF.

2.4.5 Comparison of speed monitoring parameter

The speed monitoring parameter used by Motion CPU and PLC CPU are compared at the speed monitoring process start or parameter reading. If the parameters are mismatched, "Safety observation error (error code: 101)" occurs and the shut-off signal is turned OFF.

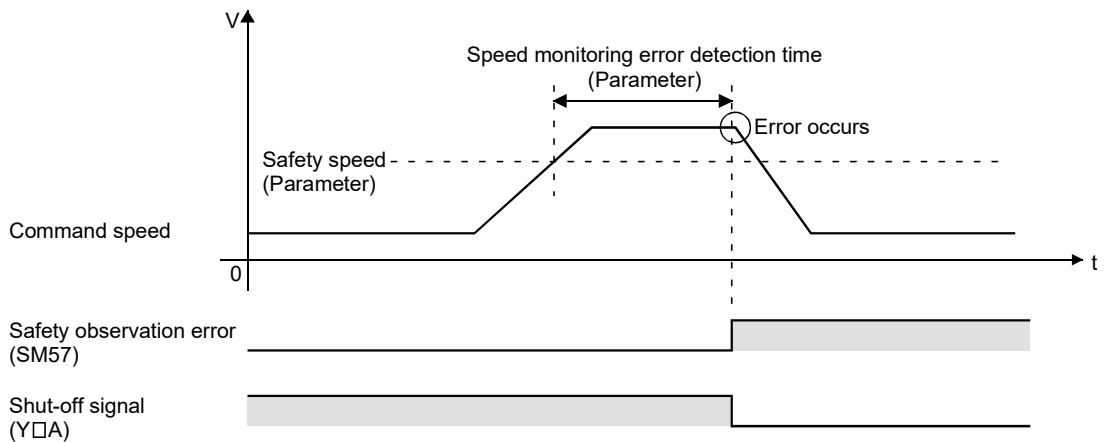
2.4.6 Speed command observation

Both Motion CPU and PLC CPU monitor if the absolute value of command speed (^{Note-1}) by Motion CPU does not exceed the safety speed during speed monitoring.

If the command speed continues to exceed the safety speed over "speed monitoring error detection time", "Safety observation error (error code: 110)" occurs and the shut-off signal is turned OFF.

Set the safety speed and speed monitoring error detection time by parameters.

(Note-1): Value calculated from the time derivative of command position from servo amplifier to Motion CPU.



2 SAFETY OBSERVATION FUNCTION

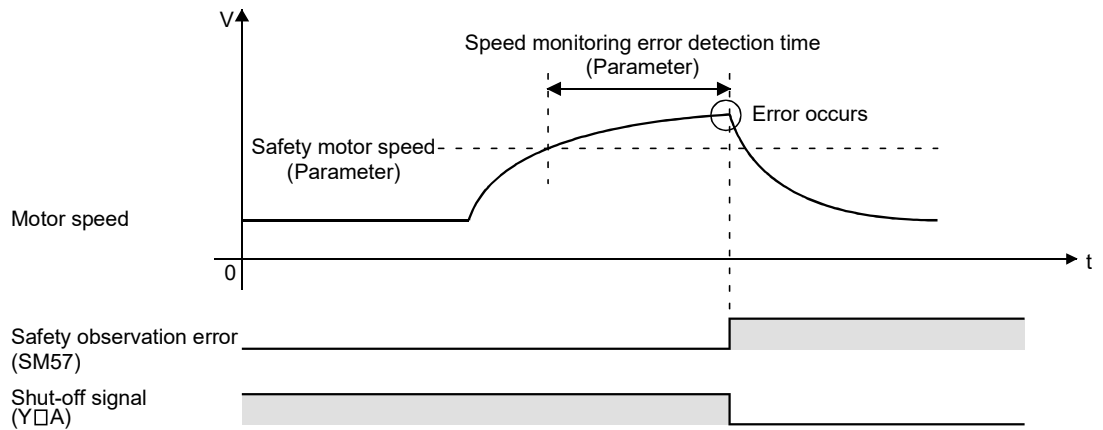
2.4.7 Feedback speed observation

Both Motion CPU and PLC CPU monitor if the motor speed ^(Note-1) does not exceed the safety motor speed during speed monitoring.

If the motor speed ^(Note-1) continues to exceed the safety motor speed over "speed monitoring error detection time", "Safety observation error (error code: 111)" occurs and the shut-off signal is turned OFF.

Set the safety motor speed and speed monitoring error detection time by parameter.

(Note-1): Value calculated from the time derivative of command position from servo amplifier to Motion CPU.



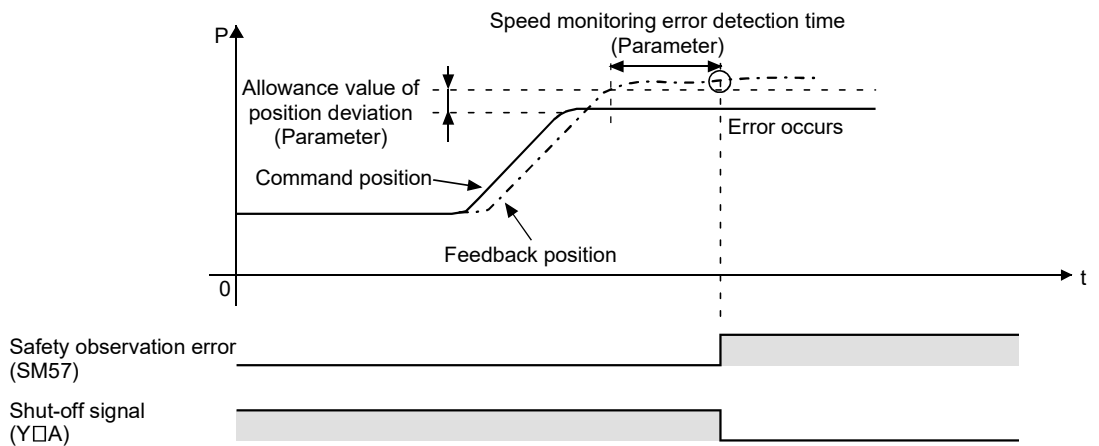
2.4.8 Position feedback monitoring

Both Motion CPU and PLC CPU monitor if the difference between the feedback position and command position of Motion CPU does not exceed the allowance value of position deviation during speed monitoring.

If the difference continues to exceed the allowance value over "speed monitoring error detection time", "Safety observation error (error code: 112)" occurs and the shut-off signal is turned OFF.

Set the allowance value of position deviation and speed monitoring error detection time by parameter.

Position deviation depends on the amplifier parameter (position gain, etc.). Set the allowance value of position deviation in consideration of the amplifier parameter.



2 SAFETY OBSERVATION FUNCTION

2.4.9 Speed deviation monitoring

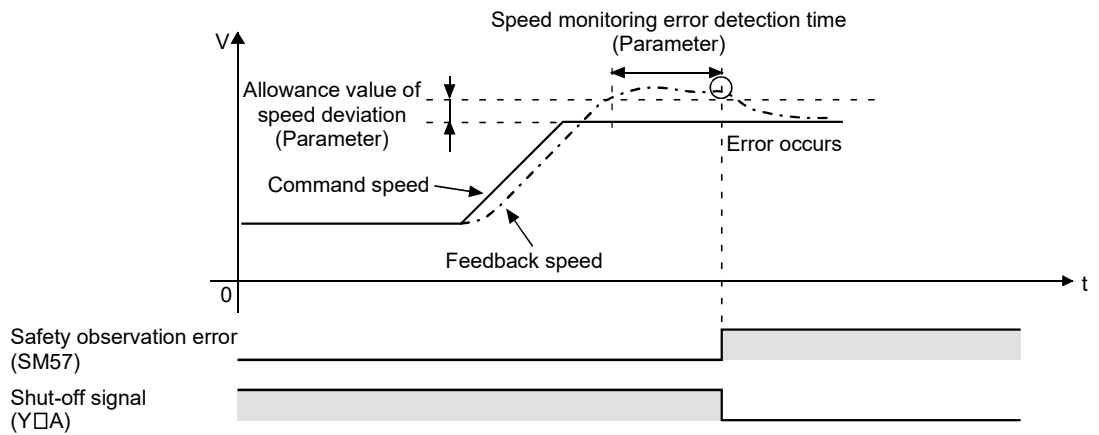
Both Motion CPU and PLC CPU monitor if the difference between the feedback speed (Note-1) and command speed (Note-2) of Motion CPU does not exceed the allowance value of speed deviation during speed monitoring.

If the difference continues to exceed the allowance value over "speed monitoring error detection time", "Safety observation error (error code: 113)" occurs and the shut-off signal is turned OFF.

Set the allowance value of speed deviation and speed monitoring error detection time by parameters.

(Note-1): Value calculated from the time derivative of command position from servo amplifier to Motion CPU.

(Note-2): Value calculated from the time derivative of command position from servo amplifier to Motion CPU.



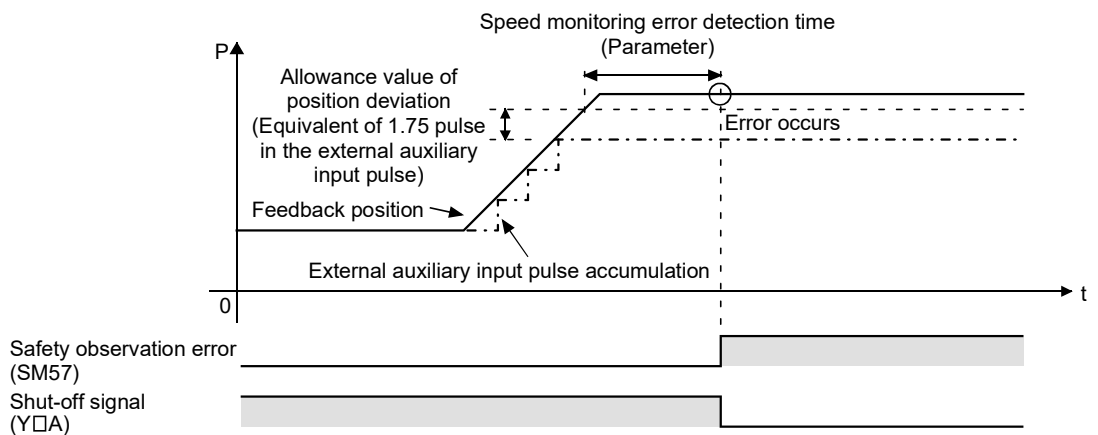
2 SAFETY OBSERVATION FUNCTION

2.4.10 External auxiliary pulse input observation

Both Motion CPU and PLC CPU monitor if the difference between the feedback position and cumulative position of external auxiliary input pulses, or safety encoder exceeds the allowance value of position deviation or not during speed monitoring. If the difference between the feedback position and cumulative position of external auxiliary input pulses, or safety encoder continues to exceed the allowance value over "speed monitoring error detection time", "Safety observation error (error code: 114)" occurs and the shut-off signal is turned OFF.

Set the speed monitoring error detection time by parameter.

The position deviation allowance value is 1.75 pulses of external auxiliary pulse input, or 1 pulse of safety encoder.



2.4.11 Continuous standstill during speed monitoring

Switch the speed monitoring to the standstill monitoring (Refer to Section 2.7.) when the command speed or motor speed continues the state of during stop (speed 0).

2.4.12 Speed error detection check

Before starting the speed monitoring, set the safety speed for test (50% of command speed. -1 when command speed is 0) internally lower than the command speed when the speed monitoring request is ON, and confirm to detect the following status.

"Command speed > Safety speed for test"

"Feedback speed > Safety motor speed for test"

If the over speed status is not detected within 200ms after the speed monitoring request flag is turned ON, "Safety observation error (error code: 115)" occurs and the shut-off signal is turned OFF.

2 SAFETY OBSERVATION FUNCTION

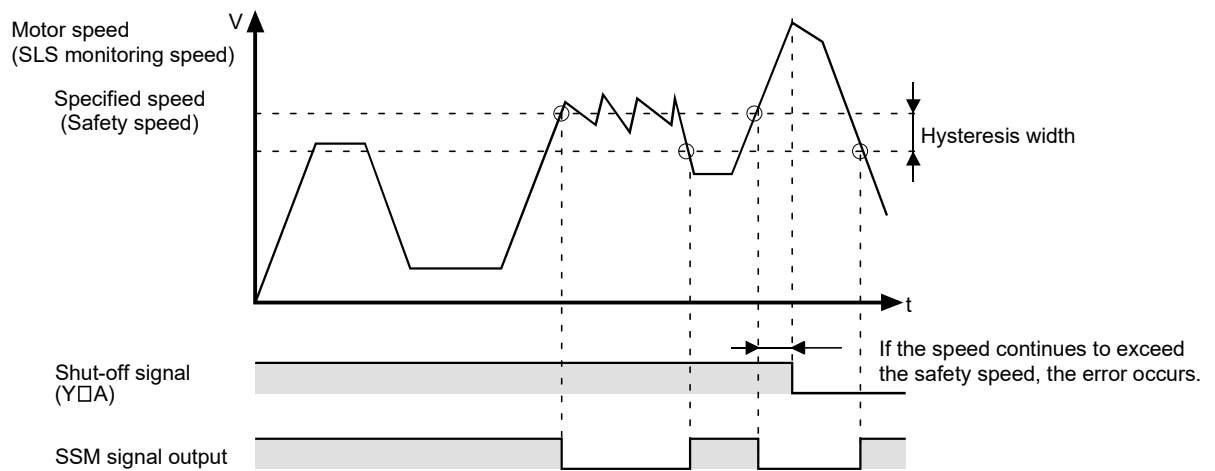
2.5 Safe Speed Monitor (SSM)

The safe speed monitor signal (SSM signal) is turned ON if both the command speed and feedback speed are the safety speed or lower during speed monitoring. The output signals of safety signal module are used as SSM signal.

If the command speed or feedback speed exceeds the safety speed, SSM signal output is turned ON to OFF regardless of the speed monitoring error detection time.

If both command speed and feedback speed become smaller than the hysteresis width from safety speed, SSM signal output is turned OFF to ON again. The SSM signal chattering can be prevented by setting hysteresis width when the motor speed fluctuates around the safety speed.

Set the device number of SSM signal output and hysteresis width by parameter.



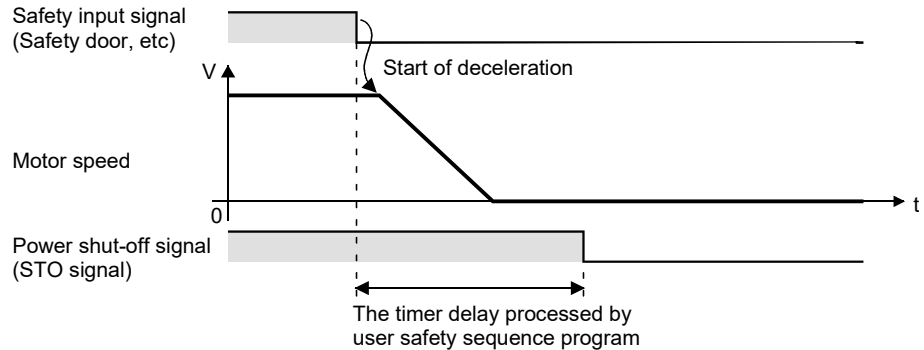
SSM signal output is constantly updated regardless of the safety observation error while the speed monitoring enabled signal is ON. SSM output is OFF when the speed monitoring enabled signal is OFF.

2 SAFETY OBSERVATION FUNCTION

2.6 Shut-off Function (STO/SS1)

The power shut-off is required after timer delay processing for motor deceleration in user sequence program to correspond to the safe stop category 1 defined by IEC 60204-1.

Execute the ON/OFF control of shutoff signal (STO signal: output signal of safety signal module) and timer delay processing for motor deceleration time (SS1) using safety signal comparison process in user safety sequence program.



2.6.1 Sequence program example for shut-off function (STO/SS1 (Stop category 1))

The user safety sequence program example (Motion CPU side) for corresponding to STO/SS1 (stop category 1) is shown below. Create the user safety sequence program of PLC CPU side in the same logic as Motion CPU.

(1) Devices

- X100 (General signal) : Start switch input
- X200^(Note-1) (Safety signal) : Safety switch input
- X20A^(Note-1) (Safety signal) : Shutoff signal feedback input
- Y20A^(Note-1) (Safety signal) : Shutoff signal (control by system).
- Y20B^(Note-1) (Safety signal) : STO signal
- M0 : Trailing edge detection flag of start switch input
- M1 : Start enable signal
- M3 : Stop request flag^(Note-2)
- T16 (100ms timer) : SS1 delay time 1.0s^(Note-3)

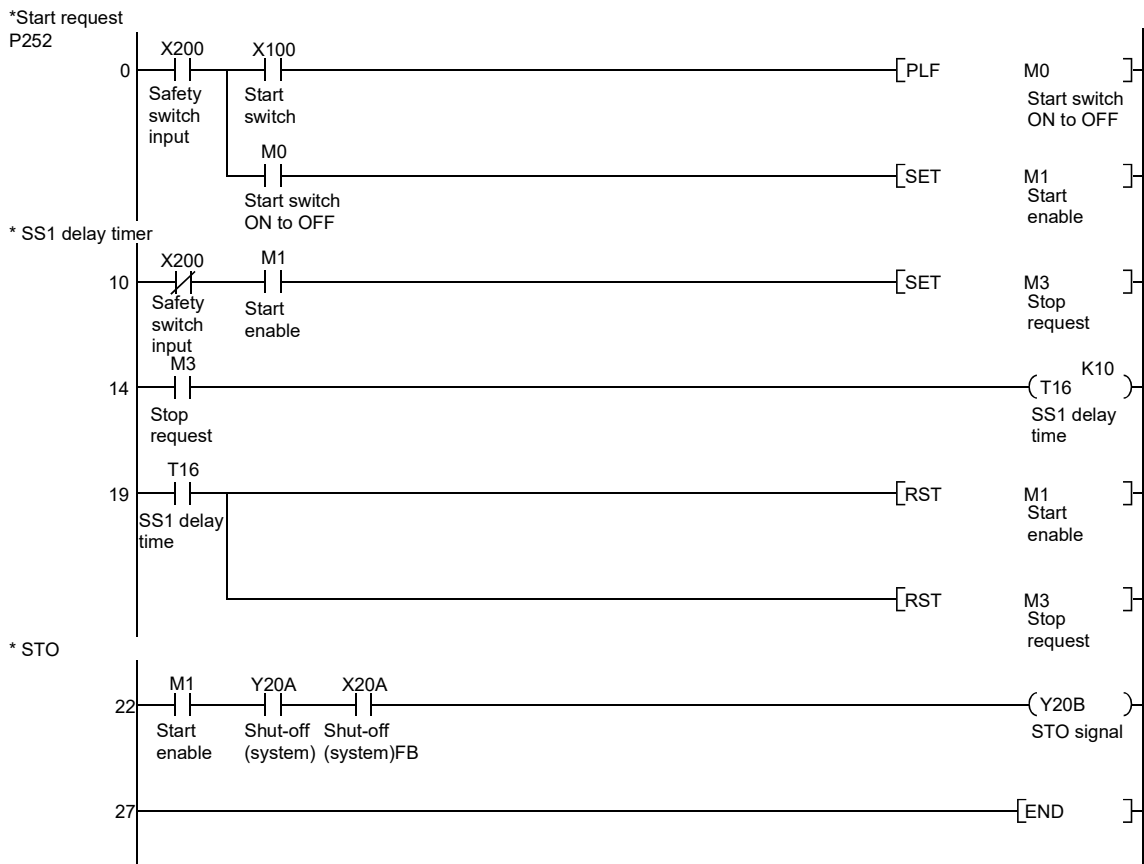
(Note-1): When the start device number of safety signal module is set to 200.

(Note-2): Create the Motion SFC program etc. to stop the positioning with stop request flag (M3) ON (Not required to embed it in a user safety sequence program.)

(Note-3): Set the deceleration time and SS1 delay time so that a motor completes the deceleration within SS1 delay time.

2 SAFETY OBSERVATION FUNCTION

(2) Program example



(3) Operation outline

- When the start switch (X100) is pushed after confirming safety (safety switch input (X200) is ON.), the STO signal (Y20B) is output.
- Create the program so that the start switch is enabled only when the switch is turned OFF to ON, preventing accidental start when the start switch is shorted or welded.
- When the safety switch input is turned OFF, the STO signal is turned OFF after SS1 delay time (T16) elapses.
- When the safety observation error is detected during operation, the shut-off signal (Y20A/X20A) is turned OFF, and the STO signal is immediately turned OFF.

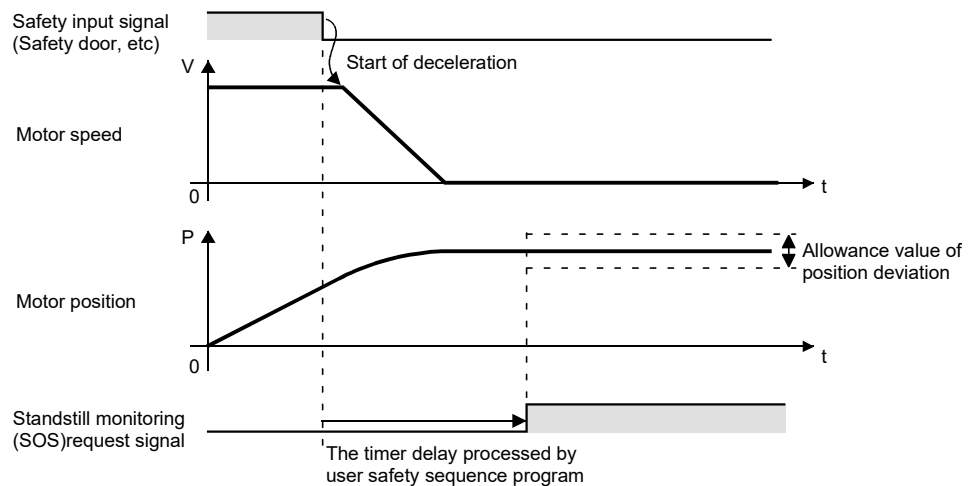
2 SAFETY OBSERVATION FUNCTION

2.7 Standstill Monitoring (SOS, SS2)

SOS function is executed by setting the safety speed, safety motor speed and allowance value of position deviation to approximately "0".

Execute the ON/OFF control of speed monitoring request signal and timer delay processing for motor deceleration time (SS2) using safety signal in user safety sequence program.

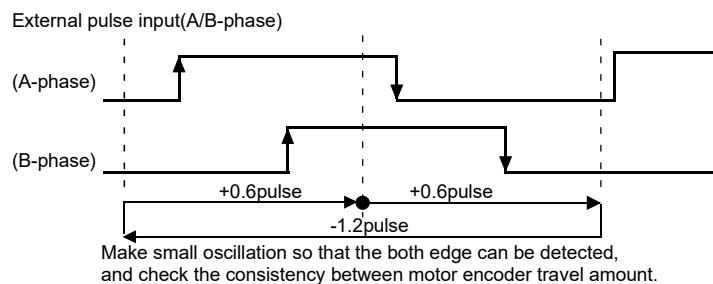
The command position is also monitored in addition to the speed monitoring for safety speed "0" during standstill. The load-side machine position is guaranteed to be within the allowance value of position deviation by feedback position monitoring (Refer to Section 2.4.8.) and external auxiliary pulse input monitoring (Refer to Section 2.4.10.).



2.7.1 Encoder consistency check by small oscillation during standstill monitoring

The feedback position validity from the motor encoder (the memory shall not be internally changed and fixed) must be checked during standstill monitoring which uses external auxiliary pulse input. Make small oscillation within the allowance range. If the small oscillation request flag signal does not turn ON after the standstill status continues for certain time (about one hour), "Safety observation error (error code: 120)" occurs and the shut-off signal is turned OFF.

The small oscillation executing flag turns ON when the small oscillation request flag is turned ON, and move the motor so that the external auxiliary pulse both edges are detected. ("Movement amount: +0.6pulse \rightarrow -1.2pulse \rightarrow +0.6pulse", "Command speed: 1pulse/s" Both are the conversion value of external auxiliary pulse input) Both edges of external auxiliary pulse input must be defined according to user system. During standstill monitoring which uses a safety encoder, encoder consistency check by small oscillation is not necessary.



2 SAFETY OBSERVATION FUNCTION

If the difference between value of motor encoder and external auxiliary pulse input occurs, "Safety observation error (error code: 121)" occurs, and the shut-off signal is turned OFF.

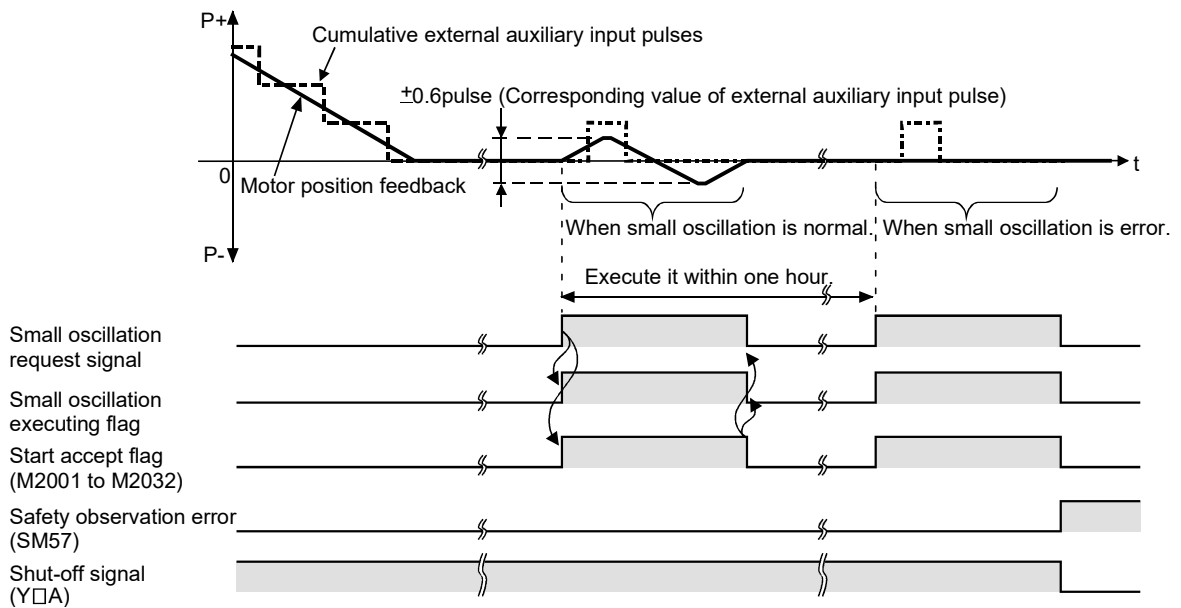
The positioning cannot be executed during small oscillation. If the positioning (JOG, servo program) is started during small oscillation, "Safety observation warning (error code: 201)" occurs, and the positioning does not start. Also, when small oscillation request signal is turned ON for an axis which is in the middle of positioning or synchronous control, "Safety observation warning (error code: 203)" occurs and the small oscillation does not start.

In the case that the small oscillation request signal is turned ON in the virtual mode, set clutches for the target output axes and turn OFF the all connected clutches. If the small oscillation request signal is turned ON at the clutches being ON, "Safety observation warning (error code: 202)" occurs and the small oscillation does not start.

If the small oscillation cannot be completed within five seconds, "Safety observation warning (error code: 203)" is output.

Confirm that servo error does not occur during motor operation, and the time until in-position signal is turned ON is not too long after the motor operation.

After the confirmation, execute the small oscillation again.



POINTS

During the small oscillation, the speed monitoring continues to execute using the safety speed where the external auxiliary pulse is 1 [pulse/s], not using the user specified safety speed. Chattering might occur during small oscillation because the safe speed monitor signal (SSM signal) is output for the safety speed.

2 SAFETY OBSERVATION FUNCTION

2.7.2 Sequence program example for standstill monitoring (SOS, SS2 (Stop category 2))

The user safety sequence program example (Motion CPU side) for corresponding to SOS/SS2 (stop category 2) is shown below.

(1) Devices

X101 (Normal signal)	: Reset switch input
X200 (Note-1) (Safety signal)	: Safety switch input
Y300 (Note-2)	: SOS request signal
M3 (Note-3)	: Stop request flag
M11	: Trailing edge detection flag of reset switch input
T17 (100ms timer)	: SS2 delay time 1.0s (Note-4)

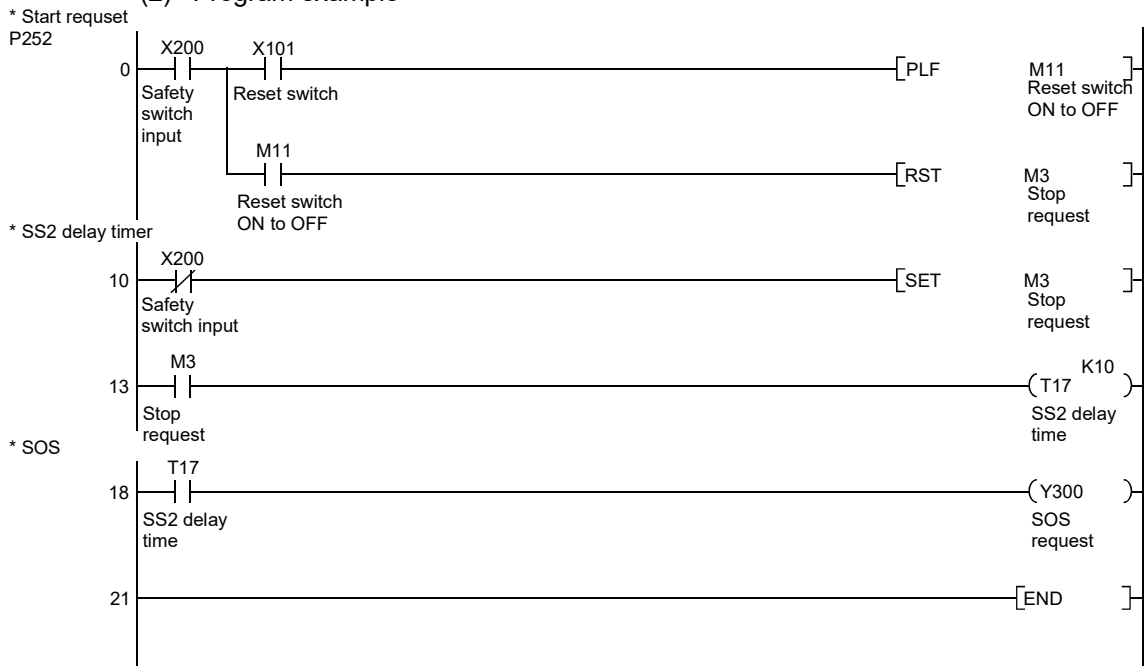
(Note-1): When the start device number of safety signal module is set to 200.

(Note-2): When the speed monitoring I/O device No. is set to 300.

(Note-3): Create the Motion SFC program etc. to stop the positioning with stop request flag (M3) ON (Not required to embed it in a user safety sequence program.)

(Note-4): Set the deceleration time and SS2 delay time so that a motor completes the deceleration within SS2 delay time.

(2) Program example



2 SAFETY OBSERVATION FUNCTION

- (3) Operation outline
- (a) When the safety switch input (X200) is turned OFF, the speed monitor request signal (SOS request signal) is turned ON after SS2 delay time (T17) elapse.
 - (b) When SOS starts or the safety observation error is detected during SOS, the shut-off signal (Y20A/X20A) is turned OFF. Create the separate sequence program where the shut-off (such as STO) is executed by the shut-off signal as interlock.
 - (c) SOS is released by reset switch input (X101). Create the program so that the reset switch is enabled only when the switch is turned OFF to ON, which prevents accidental start when the reset switch input (X101) is shorted or welded.

POINTS
The operation of SOS request signal is not required in user sequence program of PLC CPU side. However, create the separate sequence program of both Motion CPU side and PLC CPU side when the output signal (Y) is controlled (such as door lock release) by status of SOS. Use the speed monitoring executing bits (Refer to Section 4.3.3.) of corresponding block No. of shared device as interlock.

2.7.3 Sequence program example for small oscillation during standstill monitoring

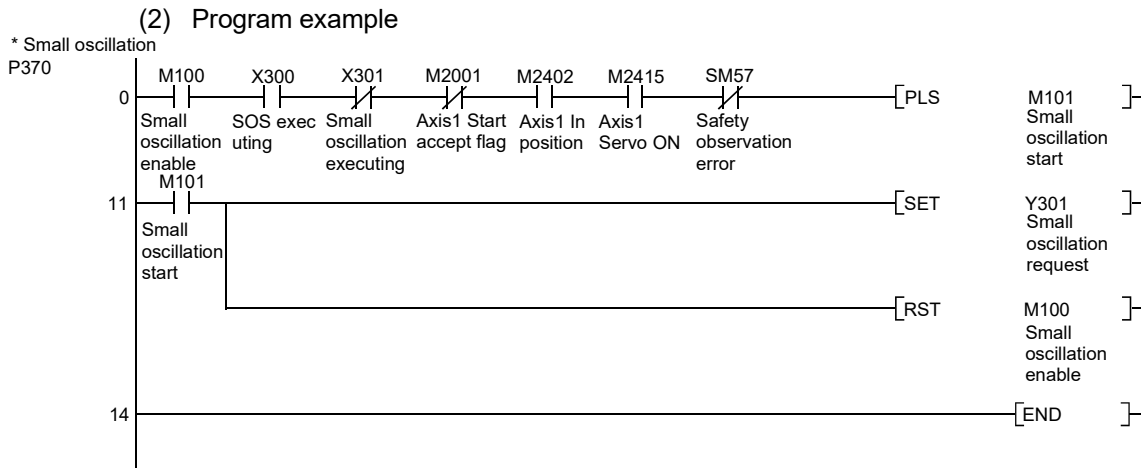
Sequence program example (Motion CPU side) for small oscillation during standstill monitoring is shown below. The user safety sequence program for small oscillation on PLC CPU side is not required.

- (1) Devices
- | | |
|---------------|--|
| X300 (Note-1) | : Standstill monitoring executing flag |
| X301 (Note-1) | : Small oscillation executing flag |
| Y301 (Note-1) | : Small oscillation request signal |
| M100 (Note-2) | : Small oscillation enable flag |
| M101 | : Small oscillation start flag |
| M2001 | : Axis1 start accept flag |
| M2402 | : Axis1 in-position flag |
| M2415 | : Axis1 servo ON flag |
| SM57 | : Safety observation error flag |

(Note-1): When the speed monitoring I/O device No. is set to 300.

(Note-2): Turn it on by the user program at intervals within one hour during the standstill monitoring.

2 SAFETY OBSERVATION FUNCTION



(3) Operation outline

- (a) When M100 is turned ON program during standstill monitoring, small oscillation request signal (Y301) is turned ON.
At this time, confirm that the target axis (axis 1) for the small oscillation is:
 - Not during positioning
 - In the state of servo ON and in-positioning
- (b) When the small oscillation is completed, Y301 is automatically turned OFF.

2 SAFETY OBSERVATION FUNCTION

2.8 Safe Brake Control (SBC)

Control the external brake ON/OFF by output signals for external brake control (output signal of safety signal module) of both CPUs in the user safety sequence program. Connect the relay for the brake to each of the output signals of Motion CPU and PLC CPU.

2.8.1 Sequence program example for safe brake control (SBC)

The user safety sequence program example (Motion CPU side) for corresponding to SBC is shown below. Create the user safety sequence program of PLC CPU side in the same logic as Motion CPU.

(1) Devices

X20A ^(Note-1) (Safety signal): Shutoff signal feedback input

Y20A ^(Note-1) (Safety signal): Shutoff signal (controlled by system).

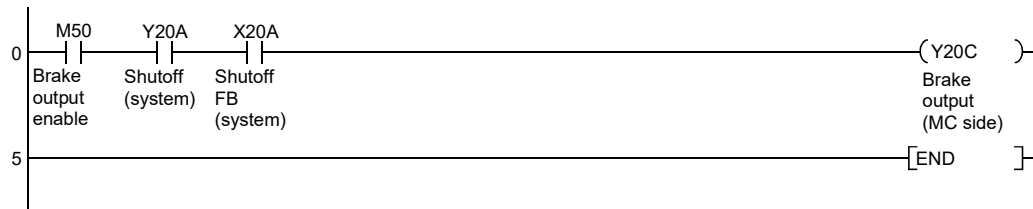
Y20C ^(Note-1) (Safety signal): Brake output

M50 : Brake output enabling signal (Create the control sequence program additionally.)

(Note-1): When the start device number of safety signal module is set to 200.

(2) Program example

P252

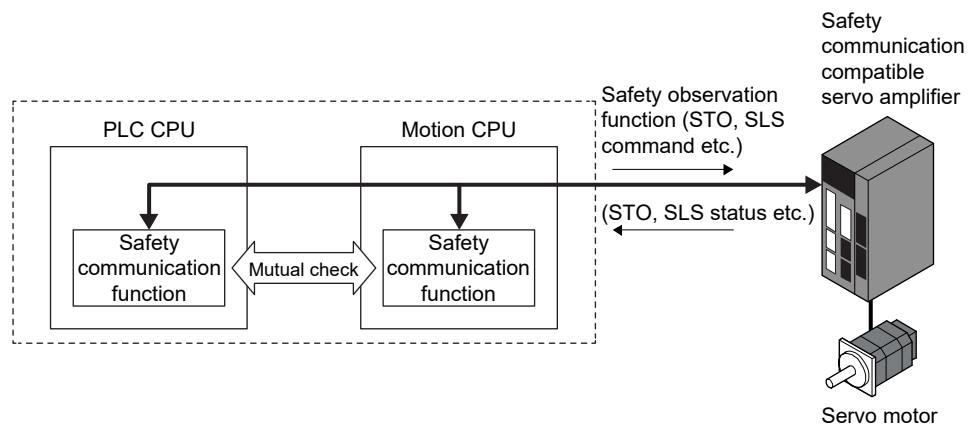


(3) Operation outline

- (a) When the brake output enable signal (M50) is ON, the brake output is turned ON.
- (b) When the safety observation error is detected during control, the shut-off signal (Y20A/X20A) is turned OFF and then brake output is also turned OFF. Create the separate sequence program where the shut-off (such as STO) is executed by the shut-off signal as interlock.

2 SAFETY OBSERVATION FUNCTION

2.9 Safety Communication



Safety information is communicated by SSCNETⅢ/H between a Motion CPU and servo amplifier that support safety communication. Data is created and compared by the Motion CPU and PLC CPU. Safety communication function can only be used with SSCNETⅢ/H communication. Safety communication function cannot be used with SSCNETⅡ communication.

If using a safety encoder, safe position feedback from the safety encoder is included in the safety information. This position feedback utilized in the speed/standstill monitoring function, thus external auxiliary pulses are not necessary when performing speed monitoring function with a safety encoder and a Motion CPU and servo amplifier which support a safety encoder.

When using a safety encoder, external auxiliary pulses cannot be used in speed/standstill monitoring.

Also, with safety communication, the safety observation functions of the servo amplifier can be used by sending and receiving the safety observation status signals and command signals in the servo amplifier.

The system configurations that execute safety observation functions are determined by the combinations shown below.

Motion CPU (Note-1)	Servo amplifier (Note-1)	Motor encoder	Speed/standstill monitoring method
Not safety encoder compatible	Not safety encoder compatible	Standard encoder	Monitor external auxiliary pulses with the controller
		Safety encoder (Note-2)	
	Safety encoder compatible	Standard encoder	Monitor the safety encoder data with the servo amplifier
		Safety encoder	
Safety encoder compatible	Not safety encoder compatible	Standard encoder	Monitor external auxiliary pulses with the controller
		Safety encoder (Note-2)	
	Safety encoder compatible	Standard encoder	Monitor the safety encoder data with the controller or servo amplifier
		Safety encoder	

(Note-1): Refer for Section 1.6 for details for supported versions.

(Note-2): When a safety encoder is connected to a servo amplifier not compatible with safety encoders, the safety encoder functions as a standard encoder.

The servo amplifier and encoder combination is set by parameter. When the parameter settings differ from the actual mounting status, a safety observation error occurs, and safety observation function is not executed.

2 SAFETY OBSERVATION FUNCTION

The communication cycle of safety communication is set by parameter. When the processing time of safety communication exceeds the set communication cycle, a safety observation error occurs, and safety observation function is not executed. Review the PLC CPU processes and shorten the scan time, or change the communication cycle to a larger value.

When an error related to safety observation function occurs when safety communication function is enabled, the following operations occur depending on the location of the error and the error type.

Error location	Error type	Shut-off signal	Safety communication	Status of servo amplifier
Controller	Restorable error (Note-1)	OFF	Communication with all axes maintained	STO by user program (Note-3)
	Non-restorable error (Note-2)		All axes disconnected (Note-4)	All axes in STO
Servo amplifier	Restorable error (Note-1)		Error axis disconnected (Note-4)	Error axis in STO Other axes in STO by user program (Note-3)
	Non-restorable error (Note-2)		Communication with other axes maintained	
Network	—			

(Note-1): Error due to an external factor (speed monitoring error, safety signal comparison error etc.)

(Note-2): Error due to an internal factor (memory error etc.)

(Note-3): The transition to STO is executed by the user safety sequence program.

(The user safety sequence program does not stop.)

(Note-4): Communication with SSCNET III/H is maintained.

[Restrictions]

- (1) When operation cycle is 0.22ms, a safety observation error occurs, and safety observation function cannot be used.
- (2) There is a restriction on the number of servo amplifier axes per line for SSCNET III/H communication where safety communication can be used, depending on the connection configuration of the servo amplifiers and SSCNET III/H head module.
The number of axes per line for SSCNET III/H communication where safety communication can be used is shown below.

Table 2.1 Number of servo amplifier axes where safety communication can be used

Number of SSCNET III/H head module stations	Number of connected axes per SSCNET III/H communication line (Note-1)			
	16	15	14	13
4	7	8	10	11
3	9	10	12	13
2	11	12	14	
1	13	14		
0	15	15		

(Note-1): When the number of connected axes per SSCNET III/H communication line for is 12 or less, safety communication is possible for all axes, regardless of the number of head module stations.

The servo amplifiers to use safety communication are set by parameter. When the number of servo amplifier axes to use safety communication set in the parameter exceeds the above restrictions, a safety observation error occurs, and safety communication cannot be used.

2 SAFETY OBSERVATION FUNCTION

- (3) The safety observation function parameters of the servo amplifier are not controlled by the Motion CPU. Refer to "Functional safety unit MR-D30 Instruction Manual" for details of safety observation function parameters and safety observation functions of the servo amplifier.
- (4) When the operating status of the PLC CPU is STOP, safety communication cannot be continued. When changing the operating status of the PLC CPU to STOP, use the connect/disconnect function to disconnect SSCNET III/H communication before changing the operating status of the PLC CPU to STOP. To restart safety communication, use the SSCNET III connect/disconnect function to reconnect after changing the operating status of the PLC CPU to RUN. Refer to "Q173D(S)CPU/Q172D(S)CPU Motion controller Programming Manual (COMMON)" for connect/disconnect function of SSCNET communication.
- (5) The response time (processing time) in a system using safety communication function is no more than 250ms total from the Motion CPU to the servo amplifier. If using the STO function (shut-off) with safety communication, design the system with consideration to the response time.

2 SAFETY OBSERVATION FUNCTION

2.9.1 Functional safety signal

For the functional safety signal, the status signal from the servo amplifier (functional safety status) and command signal to the servo amplifier (functional safety command) is used.

When safety communication with the servo amplifier is established, the operation of the safety observation functions (SLS, STO, SS1, SS2, SOS, SBC etc.) in the servo amplifier can be controlled with the Y device (functional safety command) on the user safety sequence program. Also, the status of the safety observation functions (SLS, STO, SS1, SS2, SOS, SBC etc.) in the servo amplifier can be checked with the X device (functional safety status) on the user safety sequence program.

Refer to "Functional safety unit MR-D30 Instruction Manual" for details of safety observation function of the servo amplifier.

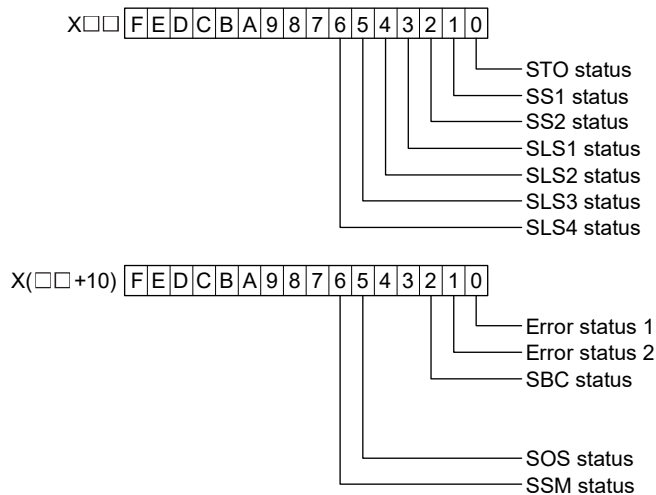
The device number of the functional safety signal is set with the functional safety signal start device number (refer to Section 3.4.1 (4)) of the safety communication parameter. Use the same device number for the X device (functional safety status) and Y device (functional safety command), and allocate 32 points each for the X device and Y device from the set start device number. Set device numbers for both the PLC CPU and Motion CPU.

Create the user safety sequence program used for the functional safety signal with the same logic for both the PLC CPU and Motion CPU.

When safety communication is disconnected, all functional safety statuses turn OFF.

When a safety observation error is detected in the servo amplifier, safety communication is disconnected, therefore all functional safety statuses turn OFF.

(1) Functional safety statuses



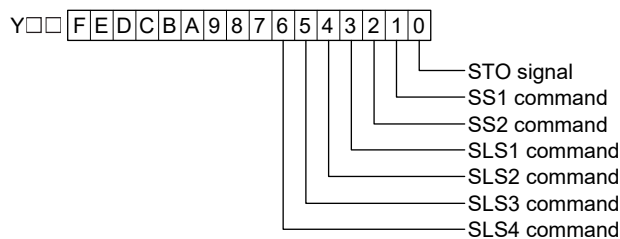
(Note): □□ = Functional safety signal start device number

- STO status : Turns OFF when the STO function of the servo amplifier is operating and power supply is shut-off. Other than the above, the STO status is ON.
- SS1 status : Turns ON when the SS1 function of the servo amplifier is operating. Other than the above, the SS1 status is OFF.
- SS2 status : Turns ON when the SS2 function of the servo amplifier is operating. Other than the above, the SS2 status is OFF.

2 SAFETY OBSERVATION FUNCTION

- SLS1 to SLS4 status : Turns ON when operating the SLS function of the servo amplifier with SLS1 to SLS4 command. Other than the above, SLS1 to SLS4 status is OFF.
- Error status1 : Turns ON when an error relating to safety communication occurs in the servo amplifier. Other than the above, Error status1 is OFF.
- Error status2 : Turns ON when a command signal for a safety observation function which cannot be used is input in the servo amplifier parameter settings. Other than the above, Error status2 is OFF.
- SBC status : Status signal for motor holding brake. Turns OFF when the STO function of the servo amplifier is operating and power supply to the brake is shut-off. Other than the above, SBC status is ON.
- SOS status : Turns ON when the SOS function of the servo amplifier is operating with the SS2 function of the servo amplifier. Other than the above, the SOS status is OFF.
- SSM status : Turns ON when the motor speed is less than or equal to the SSM speed set at the servo amplifier. SSM status is OFF when SSM function is disabled.

(2) Functional safety commands ^(Note-1)



(Note): □□ = Functional safety signal start device number.

- STO signal : When the STO signal is turned OFF, the STO function of the servo amplifier operates and power supply is shut-off.
- SS1 command ^(Note-2) : When the SS1 command is turned ON, the SS1 function of the servo amplifier operates.
- SS2 command ^(Note-2) : When the SS2 command is turned ON, the SS2 function of the servo amplifier operates.
- SLS1 to SLS4 command ^(Note-2) : When the SLS1 to SLS4 command is turned ON, the SLS function of the servo amplifier operates.

(Note-1): The second half (16 points) of the 32 points allocated to the Y device (Y□□ + 10h to Y□□ + 1Fh(□□ = Functional safety signal start device number)) are not used.

(Note-2): The bits are in reverse to the bits of the command signals for safety observation function of the servo amplifier.

2 SAFETY OBSERVATION FUNCTION

In the user safety sequence ladder program created in either the PLC CPU or Motion CPU, the functional safety command starts the safety observation function of the servo amplifier when the safety observation function changes to an operating status.

Functional safety command	Functional safety command bit status		Operating status of safety observation function of servo amplifier
	PLC CPU side	Motion CPU side	
STO	OFF	OFF	STO function is operating (power supply shut-off)
	OFF	ON	
	ON	OFF	
	ON	ON	STO function is stopped (power supply in ON)
SS1, SS2, SLS1 to SLS4	OFF	OFF	Safety observation function is stopped
	OFF	ON	Safety observation function is operating
	ON	OFF	
	ON	ON	

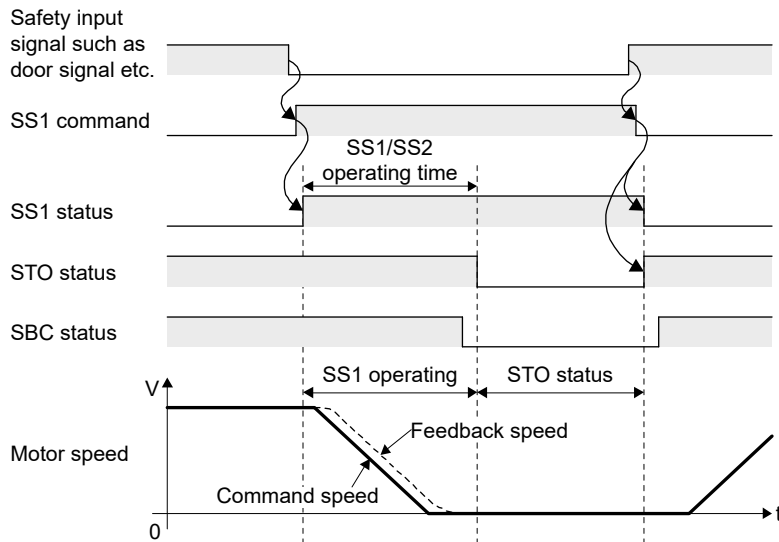
2 SAFETY OBSERVATION FUNCTION

(3) Operation outline

- (a) When the start switch (X100) is pushed after confirming safety (safety switch input (X200) is ON.), the STO signal (Y300) is output.
- (b) Create the program so that the start switch is enabled only when the switch is turned ON to OFF, preventing accidental start when the start switch is shorted or welded.
- (c) When the safety switch is turned OFF, the SS1 command (Y301) is turned ON.
- (d) When the safety observation error is detected in the controller or servo amplifier during operation, the shut-off signal (Y20A/X20A) is turned OFF, and the STO signal is immediately turned OFF.
- (e) During SS1 operation, commands from the Motion CPU are ignored and operation is at the command speed of the servo amplifier. Because the commands from the Motion CPU are ignored, the command speed changes when SS1 stops, and a safety observation error may occur when speed monitoring function is being executed by the Motion CPU.
- (f) When this function is used during synchronous control, axis positions of synchronized axes can no longer be synchronized. To maintain synchronization between axes turn the SS1 command ON after stopping the axes.

(4) Timing chart

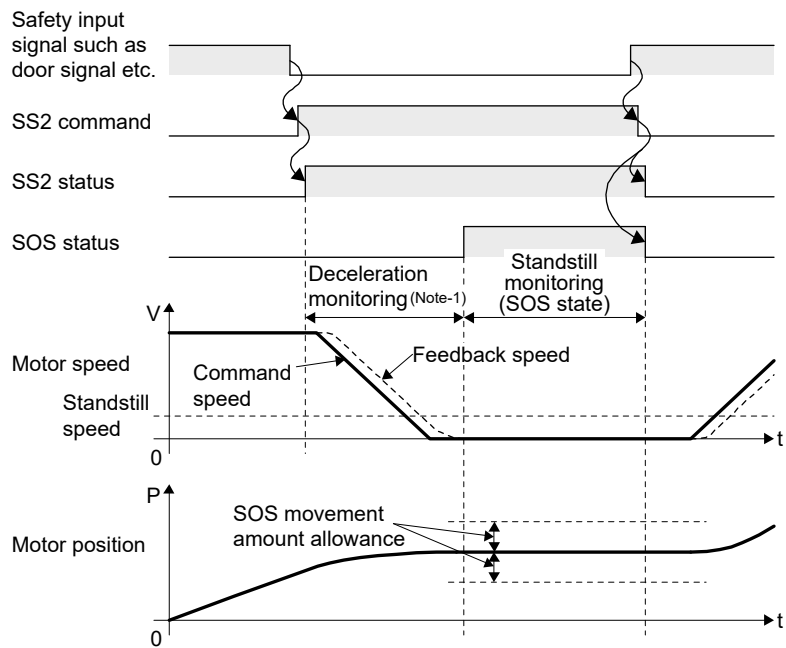
The timing chart for this function is shown below.



2 SAFETY OBSERVATION FUNCTION

(4) Timing chart

The timing chart for this function is shown below.



(Note-1): The SS1/SS2 operation time, or the time until motor stop is detected

2 SAFETY OBSERVATION FUNCTION

2.9.4 Sequence program example for speed monitoring (SLS1 to SLS4)

The following is an example of a user safety sequence program (Motion CPU side) for supporting the SLS1 to SLS4 of the servo amplifier. Create the user safety sequence program on the PLC CPU side with the same logic.

(1) Devices

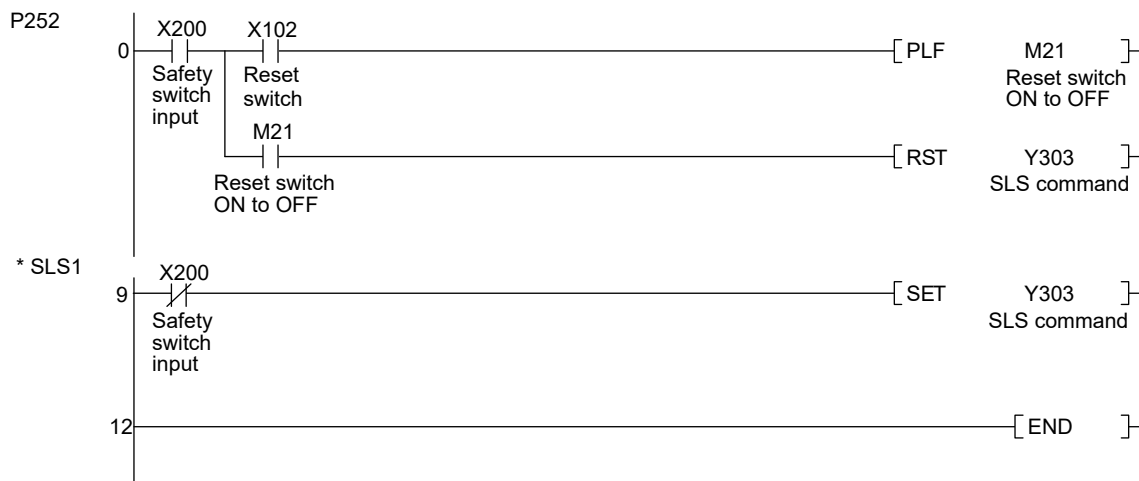
X102 (General signal)	: Reset switch input
X200 (Note-1) (Safety signal)	: Safety switch input
Y303 (Note-2), (Note-3) (Functional safety command)	: SLS1 command
M21	: Trailing edge detection flag of reset switch input

(Note-1): When the start device number of safety signal module is set to 200.

(Note-2): When the start device number of functional safety signal is set to 300.

(Note-3): When using SLS2 to SLS4, change to Y304 to Y306.

(2) Program example



(3) Operation outline

- When the safety switch (X200) is turned OFF, the SLS1 command (Y303) is turned ON.
- When the safety observation error is detected in the controller or servo amplifier while executing SLS function at the servo amplifier, the shut-off signal (Y20A/X20A) is turned OFF, and the STO signal is immediately turned OFF.
- The SLS of the servo amplifier is disabled with the reset switch (X102). Create the program so that SLS is disabled only when the switch is turned ON to OFF, preventing accidental start when the reset switch is shorted or welded.

2 SAFETY OBSERVATION FUNCTION

(4) Timing chart

The timing chart for this function is shown below.

Safety input

signal such as
door signal etc.

SLS1 command

SLS1 status

Motor speed

SLS speed 1

V

0

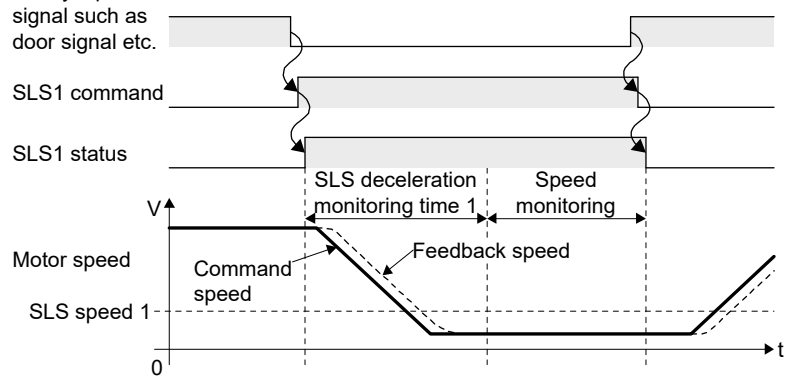
Command speed

Feedback speed

SLS deceleration
monitoring time 1

Speed
monitoring

t



2 SAFETY OBSERVATION FUNCTION

2.9.5 Checking the connection status of safety communication

For a servo amplifier that supports the safety communication function, a safety observation error does not occur when safety communication is disconnected. Check that safety communication is connected with the safety communication connection information special register (refer to Section 4.1), or the safety communication enabled bit in the shared device for safety communication (refer to Section 4.3.6 (7)). When incorporating the connection status as an interlock to the user safety sequence program, use the safety communication enabled bit for the user safety sequence program on the PLC CPU side. For the user safety sequence program on the Motion CPU side, use the safety communication connection information.

(1) Safety communication connection information

Signal name	Device No.	Description
Safety communication connection information	SD42, SD43	Checks the connection status of safety communication (Communicating: 1/Disconnected: 0), and stores the result as bit data. SD42: b0 to b15 (Axis 1 to 16) SD43: b0 to b15 (Axis 17 to 32)

(2) Safety communication enabled bit

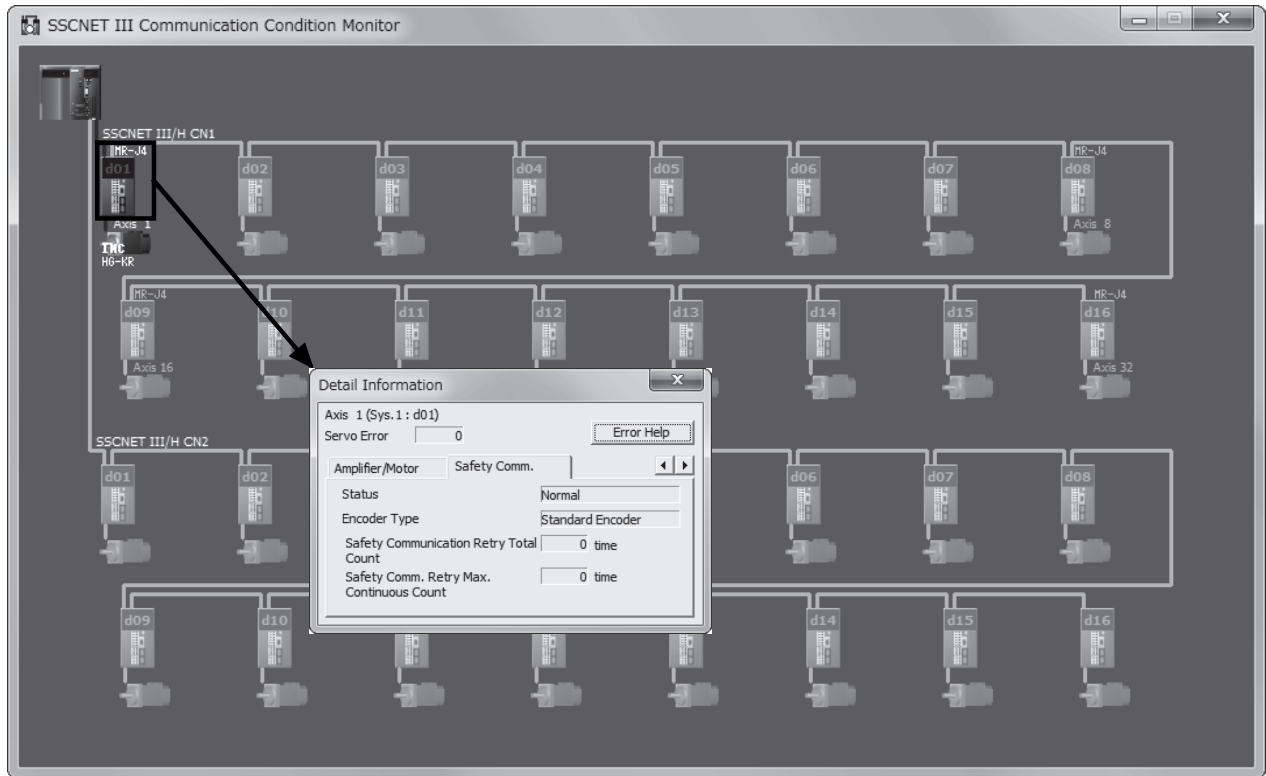
Signal name	Device No. (Note-1)		Description
	PLC CPU side	Motion CPU side	
Safety communication enabled bit	—	U3E1\G□+76, U3E1\G□+77	Shows the status of the safety communication function. When safety communication is enabled, the bit of the corresponding axis turns ON. U3E1\G□+76: b0 to b15 (axis 1 to 16) U3E1\G□+77: b0 to b15 (axis 17 to 32)

(Note-1): □ is Multiple CPU shared device start address of safety communication parameter.

2 SAFETY OBSERVATION FUNCTION

2.9.6 SSCNET III communication condition monitor

When communicating by safety communication function, the status of safety communication can be checked on the MT Developer2 SSCNET III communication condition monitor screen.



<Screen: MT Developer2>

2 SAFETY OBSERVATION FUNCTION

2.10 Self-diagnosis Function

2.10.1 Safety signal output check function

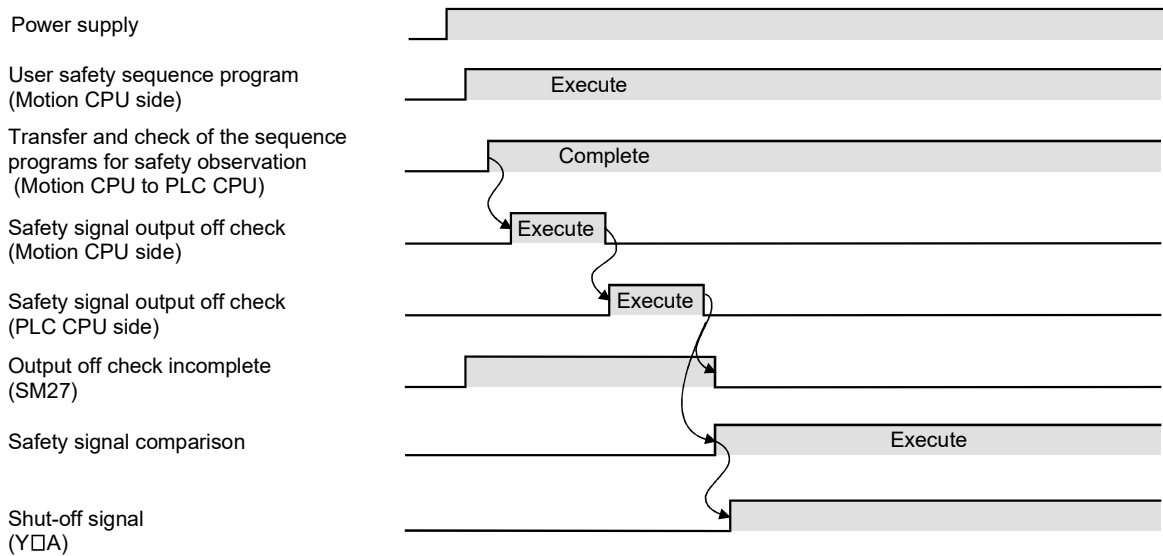
The safety signal cannot be controlled correctly in case of the transistor malfunction of the safety signal module. Ensure the safety by checking the output signal using the output off check function at power ON and output off check function every 24 hours.

(1) Output off check function at power ON.

Confirm that all output signals from the safety signal module are turned OFF normally before turning ON the shut-off signal after the power ON. Execute the output off check of PLC CPU side after the output off check of Motion CPU side is completed.

If an error is detected during PLC CPU side output check, "Safety observation error (error code: 48)" occurs, and "Safety observation error (error code: 49)" occurs during the check of the Motion CPU side.

When the safety signal comparison starts after the check, the shut-off signal is turned ON.



⚠ CAUTION

- All output signals are turned OFF instantaneously by this function if the output signal of the safety signal module is turned ON by the user safety sequence program after the power ON and before the shut-off signal is turned ON. Design the machine so that any dangerous status is occurred even when all output signal when all outputs signal points are turned OFF instantaneously.

2 SAFETY OBSERVATION FUNCTION

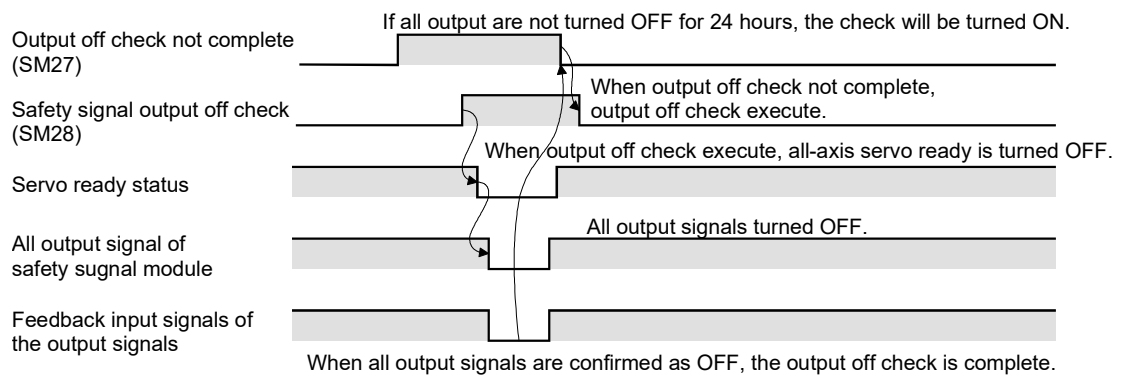
(2) Output off check function every 24 hours

When all output signals have not stayed OFF for 24 hours, output off check incomplete signal is turned ON. Turn ON output off check signal in user program.

When "Output off check signal" is turned ON, the following will be carried out.

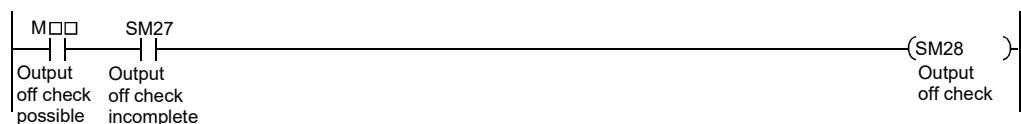
- (a) The Motion CPU is in emergency stop status and all-axis servo ready are turned OFF only when the forced stop is assigned to the M flag.
- (b) All output signals from the safety signal module are turned OFF.
- (c) Confirm that the feedback signals are turned OFF within a certain period of time.
- (d) Return the output to the original status.

When the output off check is completed, "Output off check incomplete signal" is turned OFF. "Safety observation error" occurs if output off signals are not confirmed. If an error is detected during the PLC CPU side output check, "Safety observation error (error code: 50)" occurs. For Motion CPU side, "Safety observation error (error code: 51)" occurs.



When "Output off check incomplete signal" is output, make sure to execute the output off check using the output off check function.

The sequence program below is additionally required to execute the output off check automatically when output off check incomplete signal is turned ON. Output off check enable signal below is a signal that indicates the machine remains safe even when all outputs are turned OFF.



Create the user safety sequence program so that an operator cannot touch the moving parts when "Output off check not complete signal" is ON (e.g., Disable the door lock, shut the power down, etc.). During the output off check, the sequence scan time becomes longer (not an error).

2 SAFETY OBSERVATION FUNCTION

CAUTION

- Without output off check, safety cannot be secured because a transistor failure of safety signal module cannot be detected, and safety signals may not be turned OFF.
- When the output off check is executed, all output signal points of safety signal module are turned OFF. Make sure to create the sequence so that the machine safety can be ensured even when all the output signals are OFF.

2.10.2 Memory Check Function

Execute the memory check of PLC CPU device memory and Motion CPU internal memory for safety observation process constantly after power supply ON. If an error is detected during PLC CPU side memory check, "Safety observation error (error code: 46)" occurs, and "Safety observation error (error code: 47)" occurs during the check of the Motion CPU side.

No particular precaution is given for parameter setting and the program creation of this function.

2.10.3 Internal processing check of Safety observation function

Execute the following check to ensure that the software of Motion CPU and PLC CPU executing safety observation function operates correctly.

When error is detected, "Safety observation error (error code: 132)" occurs, and the shut-off signal is turned OFF.

- Multiple CPU high speed transmission memory check for safety observation function ^(Note-1)
- PLC CPU internal clock check
- Motion CPU internal clock check
- Motion CPU internal work memory consistency check
- Stuck check for Motion CPU internal processing
- Transmission memory access check for safety signal module
- Motion CPU internal processing watchdog timer check
- Motion CPU internal processing code CRC check
- Motion CPU internal processing execution sequence check
- Continuity check for Motion CPU internal processing

(Note-1): Execute only when the speed monitoring function is used. Not need to execute at safety signal comparison only.

No particular precaution is given for parameter setting and the program creation of this function.

2 SAFETY OBSERVATION FUNCTION

2.10.4 Scan time check

Execute the scan time check to guarantee that the PLC CPU and Motion CPU execute the observation function within a certain process time during the safety observation function. Both Motion CPU and PLC CPU execute the scan time check.

"Safety observation error" occurs if the scan time is the following case.

Scan time with only safety signal comparison: 100[ms]

Scan time with safety signal comparison and speed monitoring function: 25[ms]

Error CPU	Detect CPU	Error code
PLC CPU scan time error	PLC CPU	140
	Motion CPU	25
Motion CPU scan time error	PLC CPU	24
	Motion CPU	141

When the error occurred, please reduce the number of steps of sequence programs, and shorten the scan time.

2.10.5 Voltage monitoring of Motion CPU circuit

The safety observation function constantly monitors that the normal and stable DC voltage is supplied to Motion CPU internal main electric parts (CPU, system LSI, etc.). If the internal voltage has failure status (voltage rise, voltage drop), "Safety observation error (error code: 150)" will occur and the shut-off signal will turn OFF.

No particular precaution is given for the parameter setting and program creation of this function.

2.10.6 Temperature monitoring of Motion CPU module

The safety observation function constantly monitors if the Motion CPU internal main electric parts (CPU, system LSI, etc.) executes within the permissible temperature. If the temperature is abnormal (overheated), "Safety observation error (error code: 151)" will occur and the shut-off signal will turn OFF. When the error occurred, be sure that the Motion CPU ambient temperature is below 55°C, and take measure for heat release.

No particular precaution is given for the parameter setting and program creation of this function.

2 SAFETY OBSERVATION FUNCTION

2.11 Speed Monitoring Function Omitting External Auxiliary Pulse Input

The speed monitoring function conducts a double observation by monitoring the command speed and motor feedback speed with two CPUs. In order to maintain safety when stopped (command speed or motor feedback speed is 0), the motor rotation pulse generated from an external sensor is input and checked for consistency with the motor feedback position.

When speed monitoring parameter "External sensor input X device number" is set to "1FFF", and "Number of pulses per external sensor rotation" and "Movement amount per external sensor rotation" is set to "2147483647", this consistency check is disabled, and speed monitoring can be conducted without external auxiliary pulse input.

CAUTION

- When not using external auxiliary pulse input, the safety performance level in a stopped state during speed monitoring (command speed or motor feedback speed is 0) is PL d/category 2. If stopping for a long period, stop with a mechanical lock such as a brake (SBC), or shut-off operation (STO).
- When not using external auxiliary pulse input, the longest time a motor stopped status (command speed or motor feedback speed is 0) can be maintained is one hour. Without external auxiliary pulse input, the encoder cannot diagnose small oscillation, and so after one hour in the stopped status "Safety observation error (error code: 120)" occurs, and the shut-off signal turns OFF.
- Do not turn ON the small oscillation request signal when set to not use external auxiliary pulse input. "Safety observation error (error code: 121)", or "Safety observation warning (error code: 203)" occurs, and small oscillation does not complete correctly.
- Standstill monitoring (SOS) function cannot be used when set to not use external auxiliary pulse input. At power supply ON "Safety observation error (error code: 27, detail code H□□61)" occurs, and shut-off signal does not turn ON.

2 SAFETY OBSERVATION FUNCTION

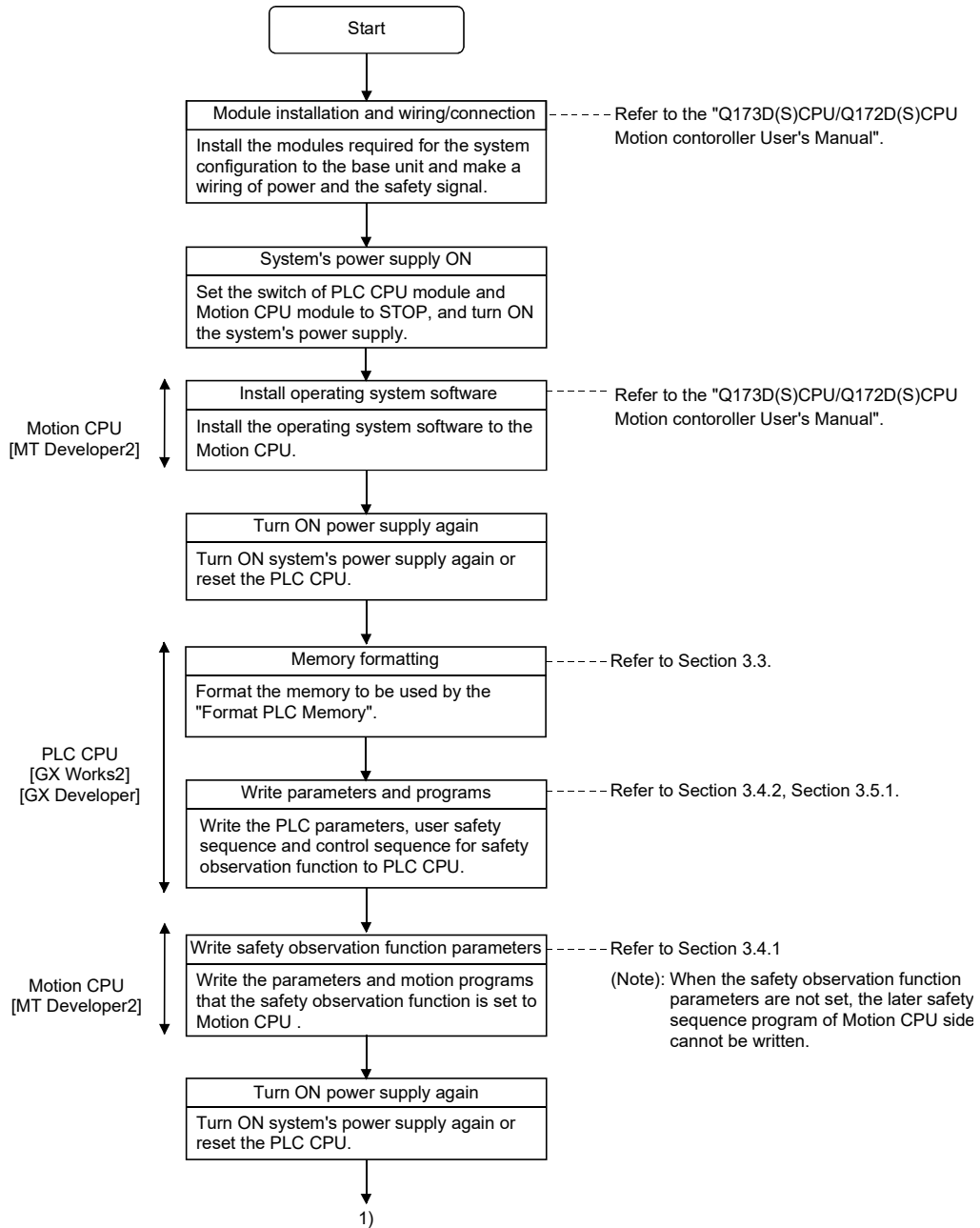
(1) Speed monitoring parameter

Item	Description	Setting range																				
External sensor input X device No.	<p>Set the input (X) device No. on the PLC CPU side (occupies two points) of the safety signal module which inputs pulses of the pulse output system connected mechanically to the servo axis performing speed monitor.</p> <p>In the Motion CPU side, the input (X) device number corresponding to the input (X) device number set on the PLC CPU side is assigned. Make sure to set the A-phase/B-phase mode to use the standstill monitoring (SOS).</p> <p>[Setting device number is an even number. (A-phase/B-phase mode)]</p> <ul style="list-style-type: none"> • External auxiliary pulse input A-phase: X (setting device No.) • External auxiliary pulse input B-phase: X (setting device No. + 1) <p>[Setting device number is an odd number. (1-phase mode)]</p> <ul style="list-style-type: none"> • External auxiliary pulse input: X (Setting device No.) <p>("Setting device number -1" can be used as a general input.)</p> <p>[Setting example]</p> <table border="1" data-bbox="456 768 1066 837"> <thead> <tr> <th>Block No.</th> <th>No.1</th> <th>No.2</th> <th>No.3</th> </tr> </thead> <tbody> <tr> <td>External sensor input X device number</td> <td>0201</td> <td>0202</td> <td>0205</td> </tr> </tbody> </table> <p>Input device allocation</p> <table border="1" data-bbox="456 871 1066 1075"> <tbody> <tr> <td>X200</td> <td>Unused (Usable as a general input.)</td> </tr> <tr> <td>X201</td> <td>Sensor input for block No.1 (1-phase)</td> </tr> <tr> <td>X202</td> <td>Sensor input for block No.2 (A-phase)</td> </tr> <tr> <td>X203</td> <td>Sensor input for block No.2 (B-phase)</td> </tr> <tr> <td>X204</td> <td>Unused (Usable as a general input.)</td> </tr> <tr> <td>X205</td> <td>Sensor input for block No.3 (1-phase)</td> </tr> </tbody> </table> <p>When 1FFF is set, external auxiliary pulse input is disabled only if "Number of pulses per external sensor rotation" and "Movement amount per external sensor rotation" are 2147483647.</p>	Block No.	No.1	No.2	No.3	External sensor input X device number	0201	0202	0205	X200	Unused (Usable as a general input.)	X201	Sensor input for block No.1 (1-phase)	X202	Sensor input for block No.2 (A-phase)	X203	Sensor input for block No.2 (B-phase)	X204	Unused (Usable as a general input.)	X205	Sensor input for block No.3 (1-phase)	<p>0000 to 1FFF (The actual maximum IO number is 0FFFh. If a number more than or equal to 1000h is set, it cannot be used.)</p>
Block No.	No.1	No.2	No.3																			
External sensor input X device number	0201	0202	0205																			
X200	Unused (Usable as a general input.)																					
X201	Sensor input for block No.1 (1-phase)																					
X202	Sensor input for block No.2 (A-phase)																					
X203	Sensor input for block No.2 (B-phase)																					
X204	Unused (Usable as a general input.)																					
X205	Sensor input for block No.3 (1-phase)																					

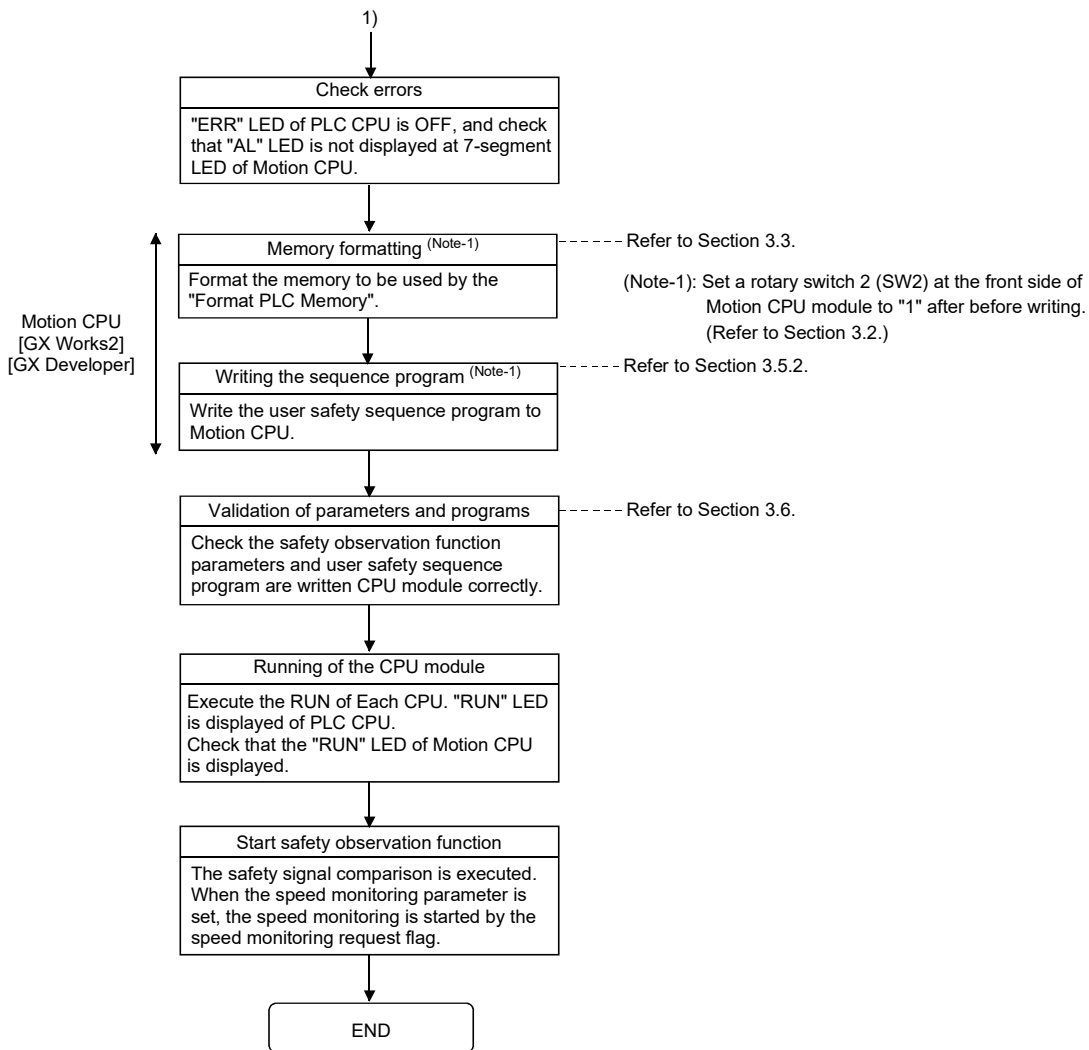
3. START-UP PROCEDURES

3.1 Start-up Procedures Flow Chart

The start-up procedure of safety observation function is shown below.



3 START-UP PROCEDURES



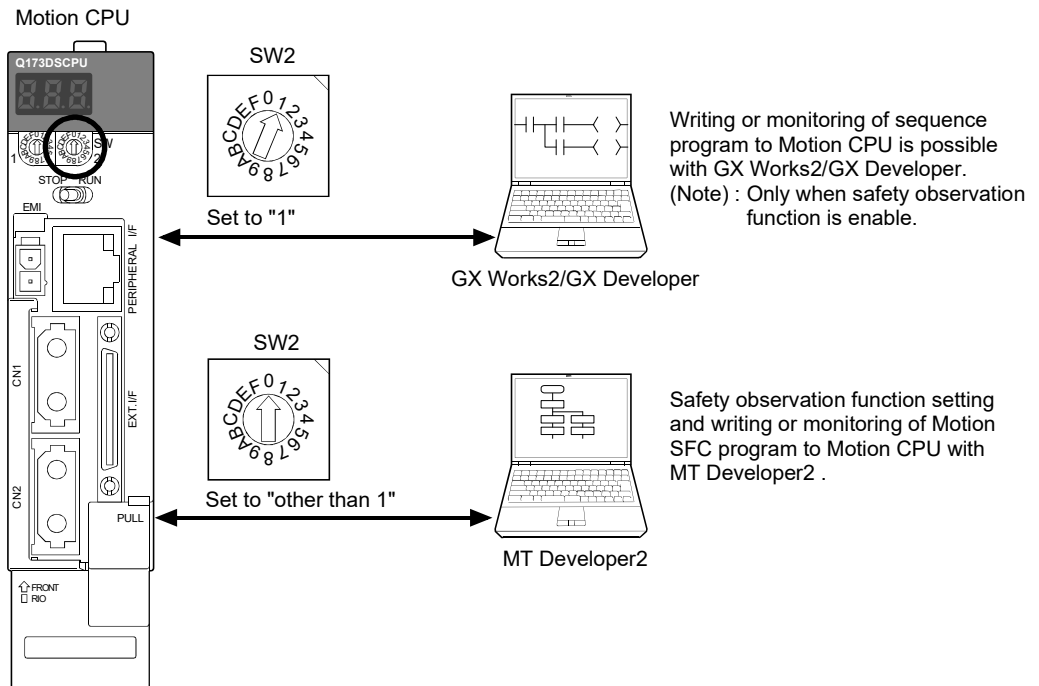
POINT
(1) Format the PLC memory before writing a user safety sequence program to Motion CPU first. Not doing so cause an error message "Error in specified drive" and the program cannot be written.
(2) Do not change PLC parameter of Motion CPU side from default setting. In addition, do not write PLC parameter when writing the user safety sequence program to Motion CPU. The safety observation function may not operate properly. In addition, if PLC parameter is selected as a writing target file, an error message "Application has turned unstable" will display.
(3) The online change of sequence program cannot be executed in Motion CPU. If the online change is executed, an error message "The executed function is not supported" will be displayed. Write the sequence program after setting the remote STOP switch or RUN/STOP switch to STOP position.

3 START-UP PROCEDURES

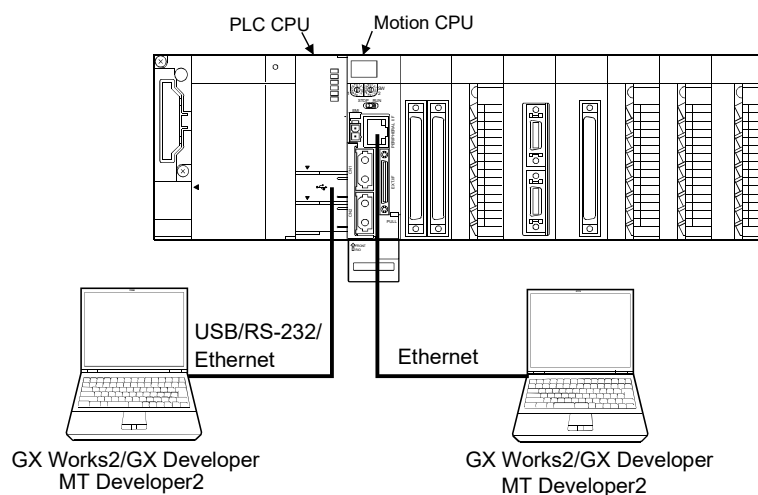
3.2 Communication between GX Works2/GX Developer and Motion CPU

Change the rotary switch setting at the front side of Motion CPU as the figure below to communicate with GX Works2/GX Developer for writing or monitoring of the user safety sequence program in Motion CPU.

Change the rotary switch setting depending on the programming software to communicate. Turning ON the system's power supply ON again is not required at the rotary switch change.



The connection destination can be selected from the PLC CPU or Motion CPU by Transfer Setup of programming software.

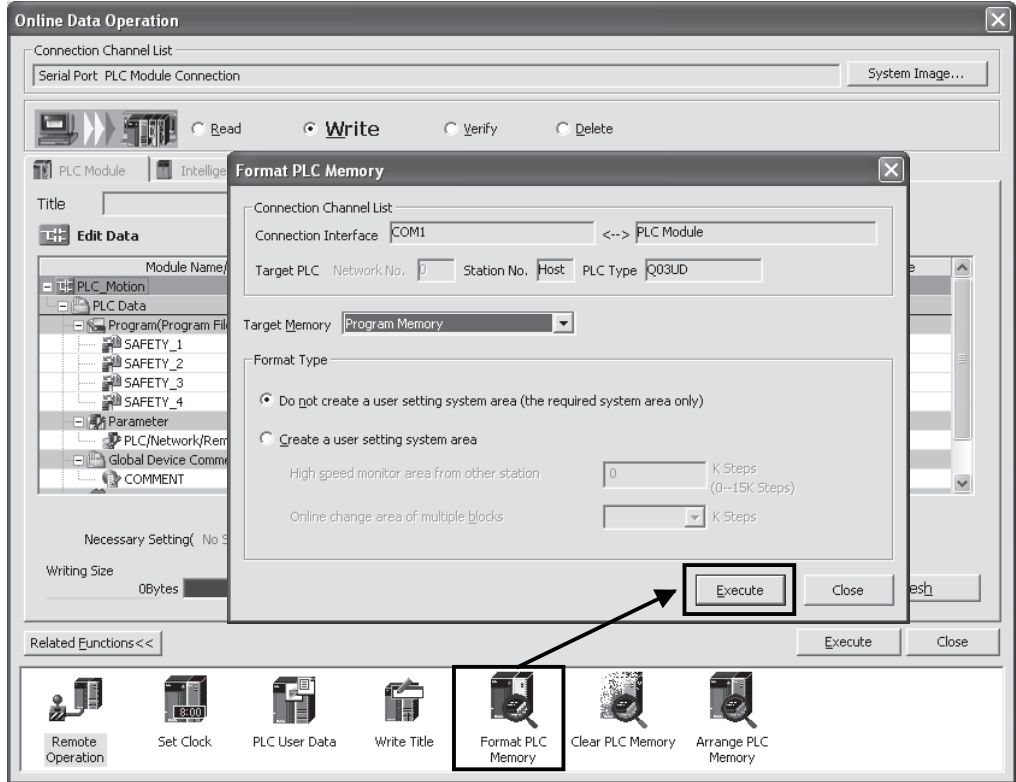


3 START-UP PROCEDURES

3.3 PLC Memory Formatting

Format the PLC memory of PLC CPU and Motion CPU with GX Works2/GX Developer at the first start.

If the PLC memory format is not executed in Motion CPU, the user safety sequence program cannot be written.



<Screen: GX Works2>

3 START-UP PROCEDURES

3.4 Parameters Setting

3.4.1 Parameter setting of Motion CPU

(1) System configuration setting

There are no items setting as the safety observation function. Do not set a safety signal module in the system configuration of Motion CPU because the safety signal module is set as PLC CPU control module (No.1).

(2) SSCNET configuration setting

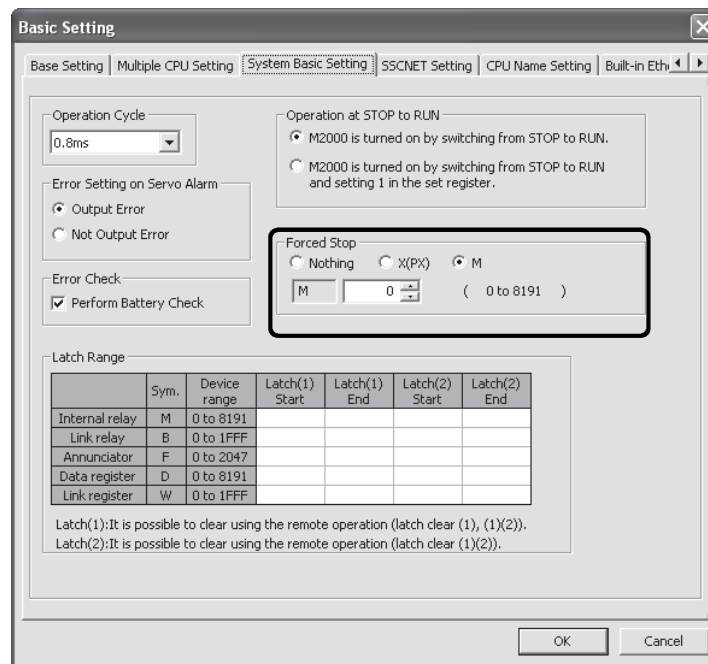
Make sure to set one or more servo amplifier axis regardless of connecting or non-connecting. An error will occur when writing the parameter to Motion CPU, and the system setting cannot be written.

(3) Forced stop input setting

Follow the procedure below to put all axes into forced stop status (servo OFF) when the safety observation function detects an error:

Select [System Setting] - [Basic Setting] - [System Basic Setting]. Assign an internal relay (M) in "Forced Stop" and turn this signal from ON to OFF in the user safety sequence program.

(ON: Forced stop cancel, OFF: Forced stop status)



<Screen: MT Developer2>

3 START-UP PROCEDURES

(4) Parameters for safety observation function

(a) Safety signal comparison parameter

Set the parameter for safety signal.

Item	Description	Setting range
The Number of Safety Signal Module	Set the number of safety signal modules to be installed. When "0" is set, the safety signal comparison function is not executed.	0 to 3
Safety Signal Unmatch Allowance Time	Set the allowance time for absorbing signal input time difference and signal reading time difference for each CPU. When "0" is set, a mismatch allowance time is 0.1[s].	0 to 50 [×0.1s]
Start Device No.	Set the start device number of safety signal module to the both of PLC CPU and Motion CPU. <ul style="list-style-type: none"> Match the start device number to I/O assignment by PLC parameter in PLC CPU. Set the start device number using different I/O number of the other Motion control modules and output device of limit output data in Motion CPU. 	PLC CPU side: 0000 to 1FE0 Motion CPU side: 0000 to 0AE0
Station No.	Match the station number setting ^(Note-1) of safety signal module with this station number.	1 to 3 (Automatically assignment)
Multiple CPU Shared Device	This shared device area is used to exchange information for the safety observation between the PLC CPU and Motion CPU. Set this device within the range of a user setting area in each multiple CPU high-speed transmission area. <Number of occupied points> <ul style="list-style-type: none"> Only safety signal comparison function use. PLC CPU side : 50 points Motion CPU side : 50 points Safety signal comparison function and speed monitoring function use. PLC CPU side : 200 points, Motion CPU side : 1400 points 	10000 to (End address of user setting area - Number of occupied points)

(Note-1): Refer to the "Q173D(S)CPU/Q172D(S)CPU Motion controller User's Manual" for the station number setting of safety signal module.

3 START-UP PROCEDURES

(b) Speed monitoring parameter

Set the even number as the Multiple CPU shared device start address of safety signal comparison parameter setting to use the speed monitoring function. If the odd number is set, "Safety observation error (error code: 27)" will occur.

The following 16 types of parameters can be registered as one-parameter block and up to 32 blocks.

When the multiple parameter blocks are enabled for the same axis, the monitoring process is executed with the lowest safety speed for the same axis.

Item	Description	Setting range
Speed Monitoring Axis No.	Set the axis No. which performs the speed monitor. When "0" is set, the corresponding block is unused.	0 to 32
Speed Monitoring Error Detection Time	Set the detection time to detect that the motor speed during the speed monitoring (while the speed monitoring is permitted) exceeds the safe rotation speed.	0 to 200 [$\times 10\text{ms}$] (Note-1)
Axis Unit Setting (Note-2), (Note-3)	Select the unit of the axis which performs the speed monitor. This setting should be as the servo data setting.	0: mm 1: inch 2: degree 3: degree ($\times 10$) 4: pulse
Number of Pulses per Motor Revolution (Note-2), (Note-3)	Set the feedback pulse per motor rotation which is determined by machine systems of the axis which performs the speed monitor. This setting should be the same as the servo data setting value.	1 to 2147483647 [pulse]
Movement Amount per Motor Revolution (Note-2), (Note-3)	Set the machine travel value per motor rotation which is determined by machine systems of the axis which performs the speed monitor. This setting should be the same as the servo data setting value.	(Note-4)
Motor Encoder Resolution (Note-2)	Set the number of pulses per rotation of an encoder used in the axis which performs the speed monitor.	1 to 2147483647 [pulse]
Number of Pulses per External Sensor Rotation (Note-2)	Set the number of pulses per rotation by an input of auxiliary pulse mechanically connected to the axis which performs the speed monitor. This cannot be set when the speed monitor axis uses a safety encoder and safety communication function. The setting value is fixed (512[pulse]).	1 to 2147483647 [pulse]
Travel Value per External Sensor Rotation (Note-2)	Set the travel value corresponding to one rotation by an input of auxiliary pulse mechanically connected to the axis which performs the speed monitor. This cannot be set when the speed monitor axis uses a safety encoder and safety communication function. The setting value is fixed (the same value as travel value per motor rotation).	(Note-4)
Safety Speed	Set the safety speed (upper limit speed while the speed monitor is permitted) of the axis which performs the speed monitor as the speed converted to the machine system.	(Note-5)
Safety Motor Speed	Set the safety speed (upper limit speed while the speed monitor is permitted) of the axis which performs the speed monitor as the motor speed.	0 to 214748364.7 [r/min] (Note-6)
Allowance Value of Position Deviation (Note-7)	Set the allowance value for the difference between the position command value and the feedback position (position deviation value) while the speed monitor of the axis which performs the speed monitor is permitted.	0 to 214748364.7 [μm] 0 to 21474.83647 [inch] 0 to 21474.83647 [degree] 0 to 2147483647 [pulse]

3 START-UP PROCEDURES

Item	Description	Setting range																				
Allowance Value of Speed Deviation	Set the allowance value for the difference between the speed command value and the feedback speed (speed deviation value) while the speed monitor of the axis which performs the speed monitor is permitted. As a general guideline, set allowance speed deviation value to 90% of safety speed,	(Note-5)																				
SSM Hysteresis Width	Set the hysteresis width (speed width) for outputting safe speed monitor signals (SSM signals) when Speed monitoring function is performed.																					
SSM Output Y Device No.	Set the PLC CPU side device number of the safety signal module which assigns safe speed monitor signals (SSM signals) when Speed monitoring function is performed. When SSM signals are not required, set FFFF. As for the device number on Motion CPU side, the number that corresponds to the set device number on PLC CPU side is assigned.	0000 to 1FFF, FFFF																				
External Sensor Input X Device No. (Note-2)	<p>Set the input (X) device No. on the PLC CPU side (occupies two points) of the safety signal module which inputs pulses of the pulse output system connected mechanically to the servo axis which performs the speed monitor.</p> <p>In the Motion CPU side, the input (X) device number corresponding to PLC CPU side is assigned. Make sure to set the A-phase/B-phase mode to use the standstill monitoring (SOS).</p> <p>[Setting device number is an even number. (A-phase/B-phase mode)]</p> <ul style="list-style-type: none"> • External auxiliary pulse input A-phase: X (setting device No.) • External auxiliary pulse input B-phase: X (setting device No. + 1) <p>[Setting device number is an odd number. (1-phase mode)]</p> <ul style="list-style-type: none"> • External auxiliary pulse input: X (Setting device No.) <p>("Setting device number -1" can be used as a general input.)</p> <p>[Setting example]</p> <table border="1" data-bbox="454 1081 1062 1151"> <thead> <tr> <th>Block No.</th> <th>No.1</th> <th>No.2</th> <th>No.3</th> </tr> </thead> <tbody> <tr> <td>External sensor input X device number</td> <td>0201</td> <td>0202</td> <td>0205</td> </tr> </tbody> </table> <p>Input device allocation</p> <table border="1" data-bbox="454 1187 1062 1391"> <tbody> <tr> <td>X200</td> <td>Unused (Usable as a general input.)</td> </tr> <tr> <td>X201</td> <td>Sensor input for block No.1 (1-phase)</td> </tr> <tr> <td>X202</td> <td>Sensor input for block No.2 (A-phase)</td> </tr> <tr> <td>X203</td> <td>Sensor input for block No.2 (B-phase)</td> </tr> <tr> <td>X204</td> <td>Unused (Usable as a general input.)</td> </tr> <tr> <td>X205</td> <td>Sensor input for block No.3 (1-phase)</td> </tr> </tbody> </table> <p>When the speed monitor axis uses a safety encoder and safety communication function, this setting is disabled.</p>	Block No.	No.1	No.2	No.3	External sensor input X device number	0201	0202	0205	X200	Unused (Usable as a general input.)	X201	Sensor input for block No.1 (1-phase)	X202	Sensor input for block No.2 (A-phase)	X203	Sensor input for block No.2 (B-phase)	X204	Unused (Usable as a general input.)	X205	Sensor input for block No.3 (1-phase)	0000 to 1FFF
Block No.	No.1	No.2	No.3																			
External sensor input X device number	0201	0202	0205																			
X200	Unused (Usable as a general input.)																					
X201	Sensor input for block No.1 (1-phase)																					
X202	Sensor input for block No.2 (A-phase)																					
X203	Sensor input for block No.2 (B-phase)																					
X204	Unused (Usable as a general input.)																					
X205	Sensor input for block No.3 (1-phase)																					

3 START-UP PROCEDURES

Item	Description	Setting range
Speed Monitoring I/O Device No.	<p>Set Motion CPU side device number of the flags (occupies two points for each X/Y) about the speed monitoring function.</p> <p>X device and Y device of the set Numbers are the device Numbers of the following flags.</p> <p>These devices cannot specify the actual devices of the safety signal module.</p> <ul style="list-style-type: none"> • Speed monitoring function request signal : Y (set device number) • Speed monitoring function enable signal : X (set device number) • Small oscillation request signal : Y (set device number + 1) • Small oscillation execute signal : X (set device number + 1) <p>When the speed monitor axis uses a safety encoder and safety communication function, the small oscillation request signal and small oscillation execute flag are not used.</p>	0000 to 1FFE

(Note-1): Speed monitoring error detection time by speed monitoring is set in unit of 10ms, but the time resolution in the actual operation is 25ms. Error occurred in shorter than this time are not detected.

(Note-2): The consistency check is executed for each parameter block (refer to section 2.4.4). Therefore, input the same setting respectively to set the multiple parameter blocks for one axis.

(Note-3): Set the same setting as the fixed parameters of servo data.

(Note-4): Range of position setting by axis unit setting.

mm	inch	degree	degree (10×)	pulse
0.1 to 214748364.7 [μm]	0.00001 to 21474.83647 [inch]	0.00001 to 21474.83647 [degree]		1 to 2147483647 [pulse]

(Note-5): Range of speed setting by axis unit setting.

mm	inch	degree	degree (10×)	pulse
0.00 to 6000000.00 [mm/min]	0.000 to 600000.000 [inch/min]	0.000 to 2147483.647 [degree/min]	0.00 to 21474836.47 [degree/min]	0 to 2147483647 [pulse/sec]

(Note-6): Linear motor use [mm/s]

(Note-7): Set the allowance value of position deviation on the basis of model control gain (PG1) set to the servo amplifier.

$$\text{Droop pulse (pulse)} = \frac{\text{Speed command pulse frequency [pulse/s]}}{\text{PG1}}$$

Since the droop pulse is calculated in theory by the formula above, set the allowance value of position deviation based on the set travel distance per motor rotation.

3 START-UP PROCEDURES

(c) Safety communication parameter

Set the parameter for safety communication function. Setting is only possible when the amplifier model in system settings is "MR-J4-(W)B(-RJ)".

Item	Description	Setting range
Servo Amplifier Function Safety Module ^(Note-1)	Set whether to use the servo amplifier functional safety unit or not. When using the functional safety unit with the servo amplifier set "1: Use".	0: Not use 1: Use
Encoder Type ^(Note-1)	Set the type of encoder to be connected.	0: Standard Encoder 1: Safety Encoder
Function Safety Signal Start Device No.	<p>Set the start device number (occupies 32 points each for the X, Y device) of the signal of safety observation functions for safety communication function. Set device numbers in units of 16 points. These devices cannot be assigned to actual devices on the safety signal module. Make sure the device numbers of the functional safety signal do not overlap with other axis settings. Set device numbers on the PLC CPU side and Motion CPU side.</p> <p>[Functional safety status]</p> <p>X□□ F E D C B A 9 8 7 6 5 4 3 2 1 0</p> <p>X(□□+10) F E D C B A 9 8 7 6 5 4 3 2 1 0</p> <p>(Note): □□ = Functional safety signal start device number</p> <p>[Functional safety command]</p> <p>Y□□ F E D C B A 9 8 7 6 5 4 3 2 1 0</p> <p>(Note): □□ = Functional safety signal start device number. Y□□ + 10 to Y□□ + 1F is not used.</p>	<p>PLC CPU side: 0000 to 1FE0 Motion CPU side: 0000 to 1FE0</p>
First No. of Multi. CPU Shared Dev. for Safety Comm.	<p>The shared device area is used to exchange information for safety communication between the PLC CPU and Motion CPU. Set this device within the range of a user setting area in each multiple CPU high-speed transmission area.</p> <p>• PLC CPU side: 1000 points, Motion CPU side: 1000 points</p>	10000 to (End address of user setting area - Number of occupied points)
Safety Communication Cycle ^(Note-2)	Set the communication cycle when communicating safety data.	14.2ms/28.4ms

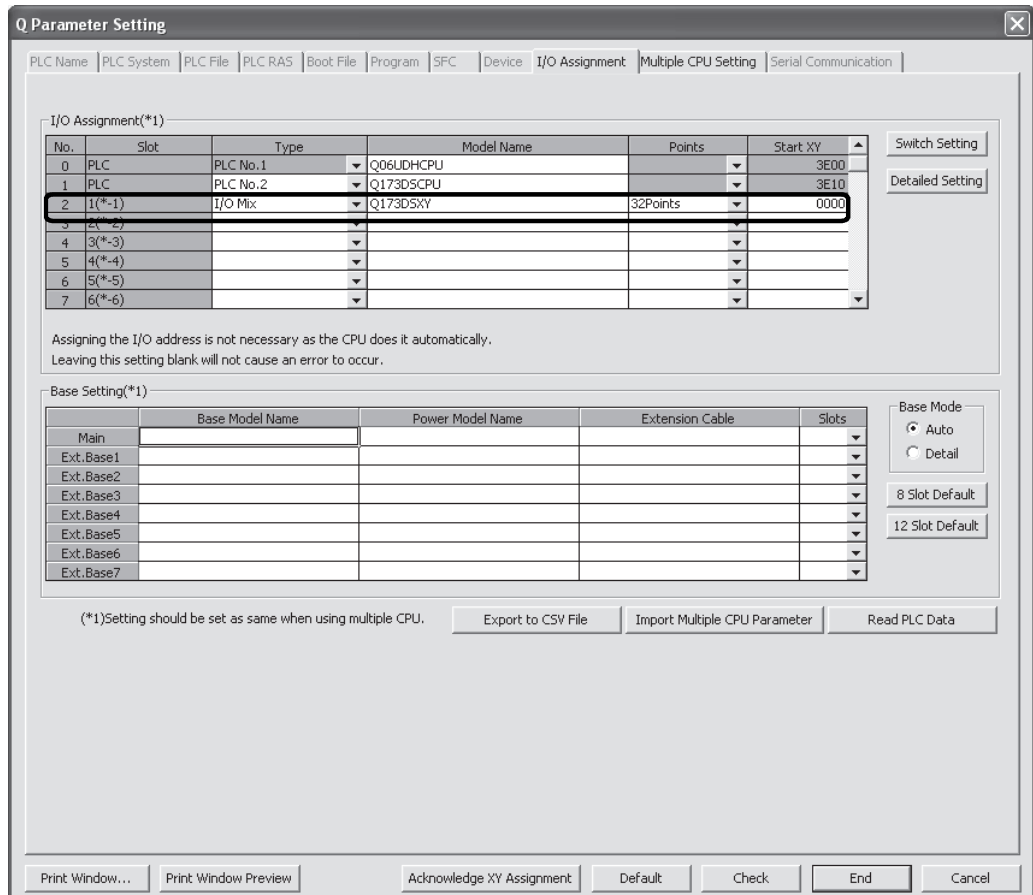
(Note-1): When the parameter settings differ from the actual mounting status, a safety observation error occurs, and safety observation function is not executed.

(Note-2): When the processing time of safety communication exceeds the set communication cycle, a safety observation error occurs, and safety observation function is not executed. Review the PLC CPU processes and shorten the scan time, or change the communication cycle to a larger value. Set the same settings as the safety communication cycle of the servo amplifier. When the communication cycle differs to the safety communication cycle settings of the servo amplifier, a safety observation error occurs, and safety observation function is not executed.

3 START-UP PROCEDURES

3.4.2 Parameter settings for PLC CPU

- (1) I/O assignment setting
 - (a) Select "I/O Mix" of 32 points as the safety signal module type, and set the start device number of safety signal module.



<Screen: GX Works2>

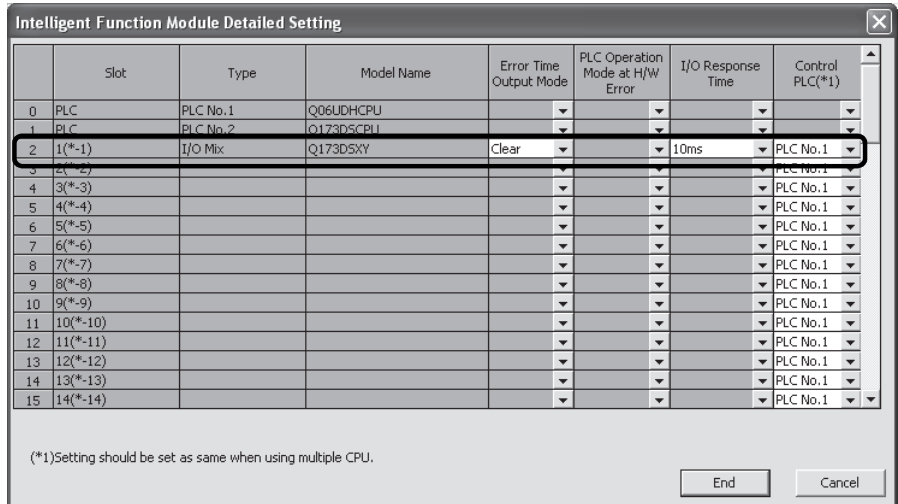
POINT

If the start device number of safety signal module is different from the safety observation function parameter of Motion CPU, "Safety observation error (error code: 34)" will occur at the system's power supply ON or after 24-hour continuous operation.

3 START-UP PROCEDURES

(b) Following settings in safety signal module is Intelligent Function Module Detailed Setting.

- Error Time Output Mode : "Clear"
- I/O Response Time : "10ms"
- Control PLC : "PLC No.1"



<Screen: GX Works2>

POINT

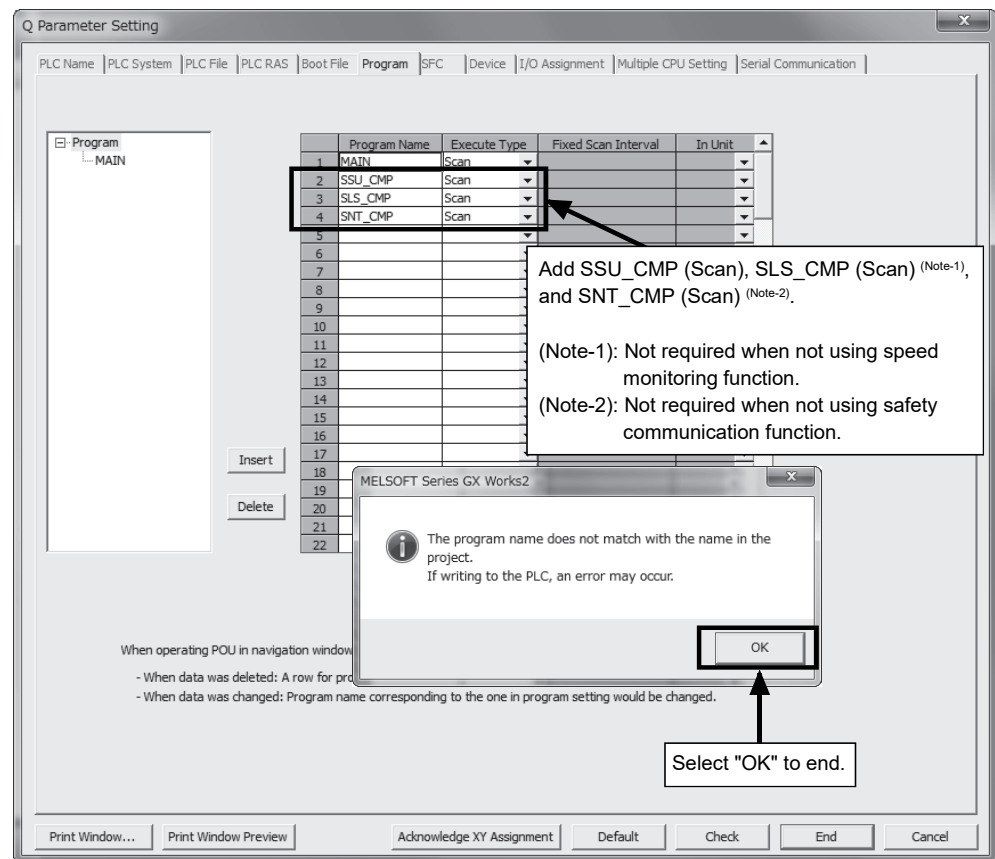
If the Error Time Output Mode of safety signal module is not set to "Clear", "Safety observation error (error code: 34)" will occur at the system's power supply ON or after 24-hour continuous operation.

3 START-UP PROCEDURES

(2) Safety observation sequence program setting

Make sure to add the program name of sequence programs for safety observation (SSU_CMP: Safety signal comparison sequence program, SLS_CMP: Speed monitoring sequence program, SNT_CMP: Safety communication sequence program) to "Program setting" of PLC CPU to execute the safety observation function. These programs are automatically created by Motion CPU system.

Message "The program name does not match with the name in the project." is displayed in order to specify a program name that does not exist in the project. However, an error will not occur by transferring the setting program from Motion CPU. Select "OK" to end the parameter setting.



<Screen: GX Works2>

POINT

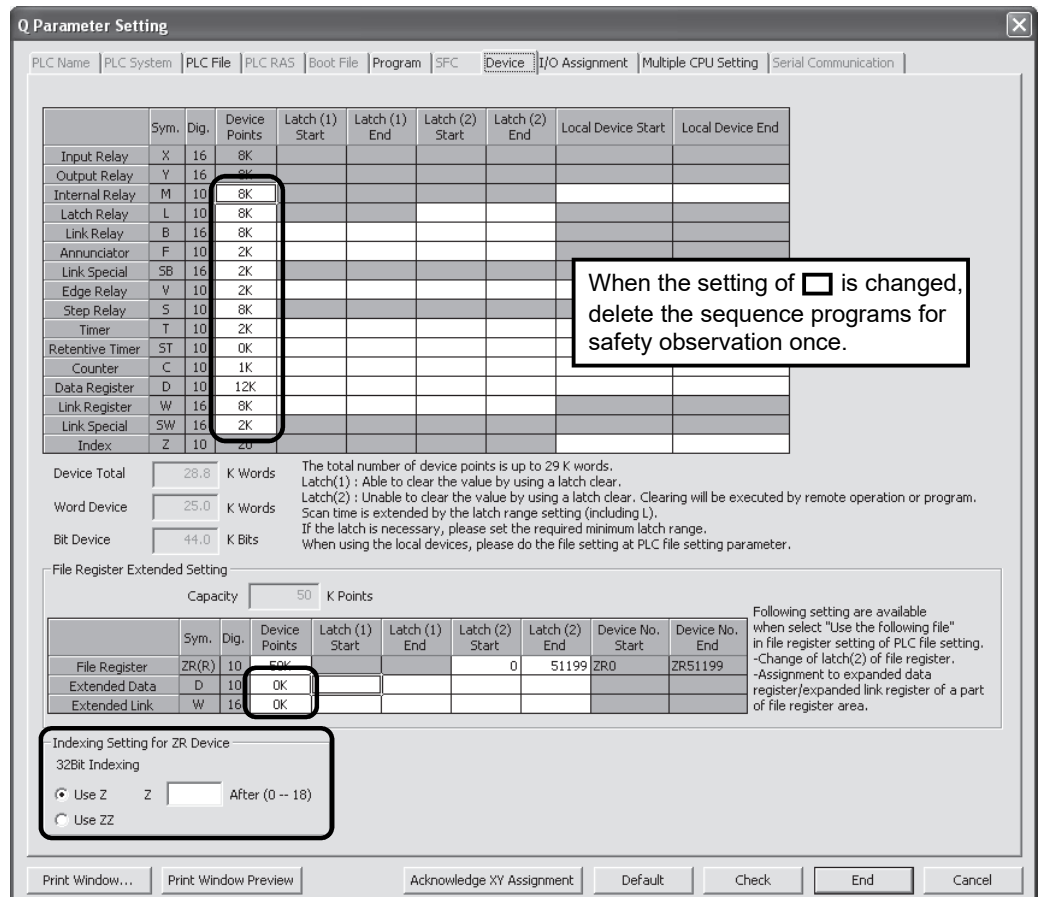
- (1) If the program name (SSU_CMP, SLS_CMP) is not set, "Safety observation error (error code: 24)" will occur.
- (2) If the program name (SNT_CMP) is not set, "Safety observation error (error code: 226)" will occur.
- (3) SSU_CMP, SLS_CMP and SNT_CMP cannot be used as the program name of user sequence program. Set another program name.
- (4) When the speed monitoring function is not used, addition of SLS_CMP is not necessary. For this case, a safety observation error does not occur.
- (5) When the safety observation function is not used, addition of SNT_CMP is not necessary. For this case, a safety observation error does not occur.

3 START-UP PROCEDURES

(3) Device setting

Assign the device range (Refer to Section 4.2.) used in the sequence programs for safety observation in case of changing the device points setting.

No restriction in the latch setting.



<Screen: GX Works2>

POINT

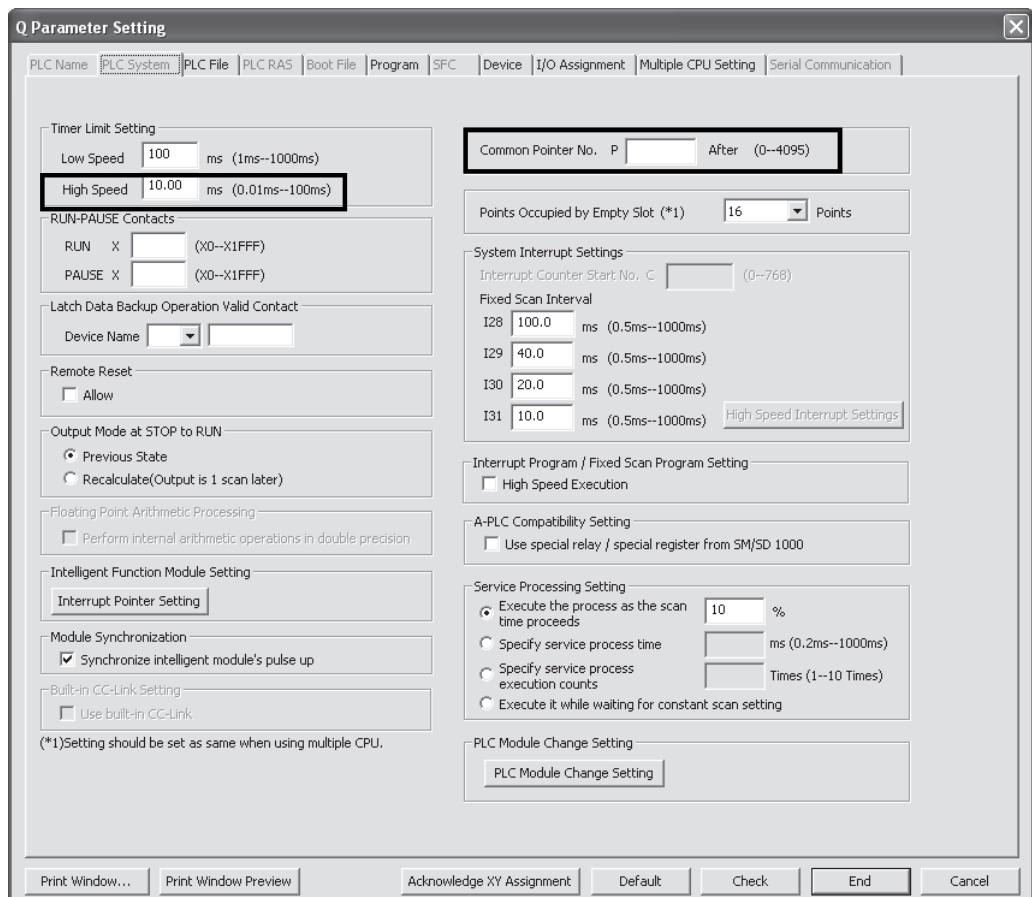
- (1) When the device points setting of PLC CPU is changed, turn OFF and ON the controller after deleting the sequence programs for safety observation (SSU_CMP, SLS_CMP, SNT_CMP) once. The write-inhibited password is set for the sequence programs for safety observation (SSU_CMP, SLS_CMP, SNT_CMP). Input "sFTy" to delete the password.
- (2) If "self-diagnostic error (error code: 2500)" in the PLC CPU or "Safety observation error (error code: 34)" in the Motion CPU will occur at the system's power supply ON or after 24-hour continuous operation, check the following items.
 - 1) The device range (Refer to Section 4.2.) used in the sequence programs for safety observation is included in the device point setting D (excluding extended D)/M/T.
 - 2) When the device points setting or "Indexing setting of ZR device" is changed, the sequence programs for safety observation is delete once.
- (3) Be sure to check that the devices shown in Section 4.2 are not used in the user program before shipment.

3 START-UP PROCEDURES

(4) PLC system setting

Check that the value of High speed set in Timer limit setting is "10.00" (default value).

P0 to P19 are used as local pointers in the safety observation sequence program. Use P20 or later as common pointers. If a common pointer No. is set to be a smaller number than P20, the "self-diagnostic error (error code: 4021) occurs in the PLC CPU, the PLC CPU will stop when the pointer is used.



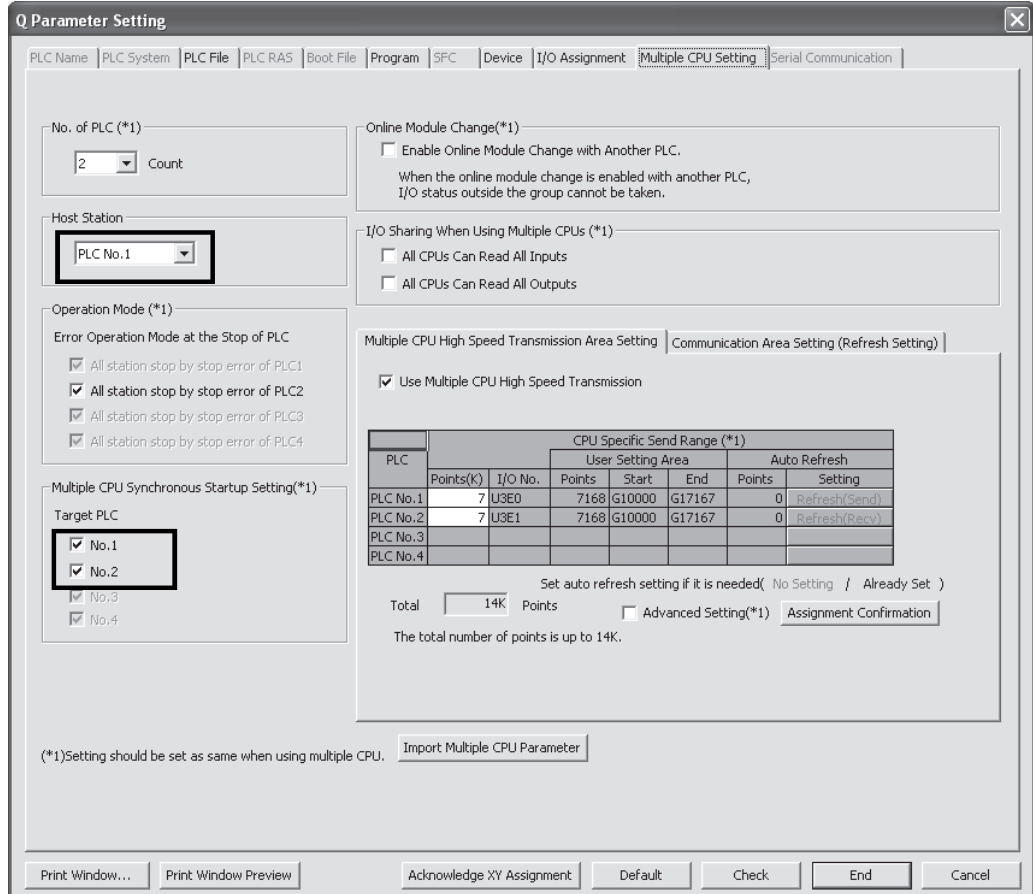
<Screen: GX Works2>

POINT

Do not change the value of High speed set in Timer limit setting from "10.00". "Safety observation error (error code: 34)" will occur at the system's power supply ON or after 24-hour continuous operation.

(5) Multiple CPU setting

Select "PLC No.1" in "Host station". And, select the "No.1 (PLC CPU)" and "No.2 (Motion CPU)" in Target PLC of the Multiple CPU synchronous startup setting.



<Screen: GX Works2>

3 START-UP PROCEDURES

3.5 Creating User Safety Sequence Program

Write the user safety sequence program to the both of Motion CPU and PLC CPU to operate a safety circuit.

By writing the same-logic sequence program to the both CPUs, even when one CPU failure occurs, the other CPU can be controlled the input/output signals safely.

CAUTION

- Always use safety signal module's signals as the input/output signals to/from safety sequence program. If you use input signals of a general-purpose I/O module instead, safety can't be ensured in case of Base unit's breakdown. This is because those signals don't have double-line system.
- As the comparison is performed for all safety signals, signal output status must be the same on both PLC CPU and Motion CPU sides. So, always create sequence program having the same logic on both sides even if only either output signal is used.

3.5.1 Creating PLC CPU side user safety sequence program

Read this section to create the user program and write it to the PLC CPU.

The PLC CPU side user safety sequence program judges the safety signal inputs of the PLC CPU to control the safety signal output of the PLC CPU.

CAUTION

- User safety sequence program controls output of safety signals. The safety cannot be ensured with incorrect sequence program. Make sure to check the safety signal control logic.

(1) Devices to use

Create the PLC CPU side user safety sequence program using the I/O device of safety signal module. Other devices as temporary memory, timer, counter, etc. will follow the QnU series PLC CPU's specification. However, as the PLC CPU side sequence programs for safety observation uses the devices shown in Section 4.2, they cannot be used for the user program.

(2) User program name

Do not use user program name "SSU_CMP", "SLS_CMP", and "SNT_CMP". These are the name of sequence programs for safety observation used in the system.

(3) User program size

The following size is necessary for the sequence programs for safety observation.

Secure the following area by the user program as an empty area.

- Only safety signal comparison use: 17kbyte (approx. 4300 steps)
- Both safety signal comparison and speed monitoring
: 27kbyte (approx. 7000 steps)
- Both safety signal comparison and safety communication function
: 39kbyte (approx. 10000 steps)
- Safety signal comparison, speed monitoring, and safety communication function
: 50kbyte (approx. 13000 steps)

If the sequence programs for safety observation cannot be written because the program size is insufficient, "Safety observation error (error code: 21)" will occur.

3.5.2 Creating Motion CPU side user safety sequence program

Read this section to create a Motion CPU side user safety sequence program. The Motion CPU side user safety sequence program judges the safety signal inputs of Motion CPU to control the safety signal output of Motion CPU.

Create a sequence program to release the forced stop when the operation setup conditions are satisfied from the safety signal status. Assigned the forced stop input setting in the system basic setting (Refer to Section 3.4.1 (3)). When the corresponding assigned device is OFF, the Motion CPU becomes in the forced stop status and all servo motors are OFF and do not drive.

⚠ CAUTION

- User safety sequence program controls output of safety signals. The safety cannot be ensured with incorrect sequence program. Make sure to check the safety signal control logic.

(1) PLC type/program type

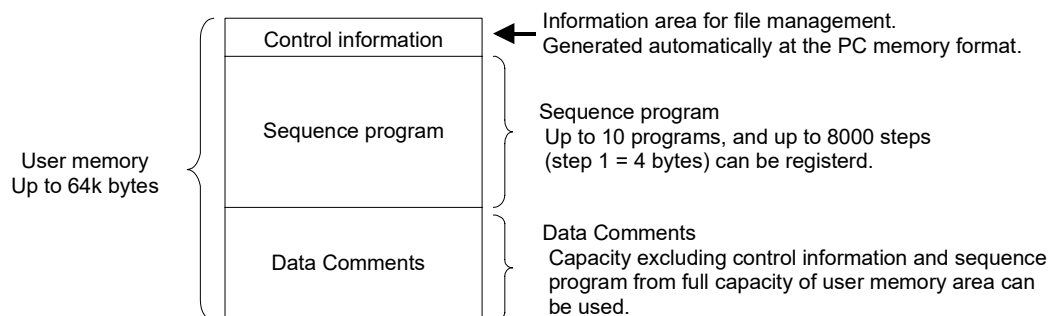
Select "Q03UD" as a PLC type for the project of a user safety sequence program of Motion CPU side. In addition, select "Ladder" for a programming language.

The sequence program processing function of Motion CPU is not equivalent with Q03UDCPU. The program size, the used device and the sequence instruction, etc. are limited. Create the program according to the following contents.

(2) User safety sequence program size

The size of Motion CPU side user safety sequence program can be registered up to 8k steps (32k byte). However, a large size sequence program may affect the Motion operation cycle. Create a program of around 1k steps.

The following figure shows the overall configuration of a user memory area for storing a sequence program of Motion CPU.



(3) Handling of user memory for sequence program

The user memory area is stored in the built-in backup memory.

The following operations are possible with MT Developer2.

- ROM operation by "Export to ROM Format" function
- Data clear by "Clear CPU Memory" function
- Backup and load of data by "CPU Backup" function

Refer to the "Q173D(S)CPU/Q172D(S)CPU Motion controller Programming Manual (COMMON)" or help of MT Developer2 for details of each function.

3 START-UP PROCEDURES

(4) Available devices

The following devices can be used. Refer to Chapter 5 for details.

The local devices cannot be used. Status of each device is shared in all sequence programs. X/Y/M/F/SM/SD/D/W is also shared with the general control (positioning dedicated signal, Motion SFC etc.) of Motion CPU.

Device	Device range	Unit	Description	
X	X0000 to 0AFF	2816 points	1 bit	Input signal in sequence program
	X200 to X21F (Note-1)	32 points	1 bit	Motion CPU side input signal from safety signal module 1 (Return of output signal, including X20A to X20F and X21A to X21F)
	X220 to X23F (Note-1)	32 points	1 bit	Motion CPU side input signal from safety signal module 2 (Return of output signal, including X22A to X22F and X23A to X23F)
	X240 to X25F (Note-1)	32 points	1 bit	Motion CPU side input signal from safety signal module 3 (Return of output signal, including X24A to X24F and X25A to X25F)
Y	Y0000 to 0E7F	3712 points	1 bit	Output signal in sequence program
	Y20A (Note-1)	1 points	1 bit	Shut-off signal (Controlled by system. Only monitoring possible)
	Y20B to Y20F (Note-1) Y21A to Y21F (Note-1)	11 points	1 bit	Motion CPU side output signal from safety signal module 1
	Y22A to Y22F (Note-1) Y23A to Y23F (Note-1)	12 points	1 bit	Motion CPU side output signal from safety signal module 2
	Y24A to Y24F (Note-1) Y25A to Y25F (Note-1)	12 points	1 bit	Motion CPU side output signal from safety signal module 3
	M (Note-2)	M0 to M8191	8192 points	1 bit
F	F0 to F127	128 points	1 bit	Internal relays
D (Note-2)	D0 to D8191	8192 points	16 bits	Data register
W	W0 to W1FFF	8192 points	16 bits	Data register
SM (Note-2)	SM0 to SM127	128 points	1 bit	Special relays
SD (Note-2)	SD0 to SD127	128 points	16bits	Special register
T (Note-3)	T0 to T15, T104 to T143	56 points	1 bit/16 bits	10ms increment timer
	T16 to T95, T144 to T239	176 points	1 bit/16 bits	100ms increment timer
	T96 to T103, T240 to T255	24 points	1 bit/16 bits	100ms retentive timer
C (Note-3)	C0 to C127	128 points	1 bit/16 bits	Counter
Z (Note-3)	Z0, Z1	2 points	16 bits	Address index register
N (Note-3)	N0 to N7	8 points	—	Nesting level
P (Note-3)	P0 to P249	261 points	—	Program label
	P252, P255, P370 to P378			(P252: user safety sequence program label)
K	K-32768 to K32767	—	—	Decimal constant for 16 bit instruction
	K-2147483648 to K2147483647	—	—	Decimal constant for 32 bit instruction
H	H0 to HFFFF	—	—	Hexadecimal constant for 16 bit instruction
	H0 to HFFFFFFFF	—	—	Hexadecimal constant for 32 bit instruction

(Note-1): Examples for case when the safety signal module I/O assignments as Module 1: 200, Module2: 220 and Module 3: 240.

(Note-2): The devices used in the system by Motion CPU such as positioning dedicated signals are included.

Refer to the "Q173D(S)CPU/Q172D(S)CPU Motion controller (SV13/SV22) Programming Manual (REAL MODE)" for details.

(Note-3): These devices are added for the Motion CPU sequence program processing, and cannot be used by Motion SFC program etc.

3 START-UP PROCEDURES

(5) Available sequence instructions

The following sequence instructions can be used in the user safety sequence programs of Motion CPU side.

The following pulse generation instructions ($\square P$) cannot be used. If used, they are always processed in the same way as execution instructions.

SFTP → SFT, BINP/DBINP → BIN/DBIN, MOV P/DMOV P → MOV/DMOV, BMOV P → BMOV, FMOV P → FMOV, XCHP/DXCHP → XCH/DXCH, WANDP/WORP/WXORP → WAND/WOR/WXOR, RORP/RCRP/ROL P/RCLP → ROR/RCR/ROL/RCL, DRORP/DRCRP/DROL P/DRCLP → DROR/DRCR/DROL/DRCL, SFRP/SFLP → SFR/SFL, SUMP → SUM, SEGP → SEG, CALLP → CALL

(a) Basic instruction

Category	Instruction Symbol	Symbol	Processing Details	Steps
Contact	LD		Starts logic operation (Starts a contact logic operation)	1
	LDI		Starts logical NOT operation (Starts b contact logic operation)	1
	AND		Logical product (a contact series connection)	1
	ANI		Logical product NOT (b contact series connection)	1
	OR		Logical sum (a contact parallel connection)	1
	ORI		Logical sum NOT (b contact parallel connection)	1
Connection	ANB		AND between logical blocks (Series connection between logical blocks)	1
	ORB		OR between logical blocks (Series connection between logical blocks)	1
	MPS		Memory storage of operation results	1
	MRD		Read of operation results stored with MPS instruction	1
	MPP		Read and reset of operation results stored with MPS instruction	1
Output	OUT		Device output	1 to 3
	SET		Sets device	1
	RST		Resets device	1 to 2
	PLS		Generates 1 cycle program pulse at leading edge of input signal.	2
	PLF		Generates 1 cycle program pulse at trailing edge of input signal.	2
Shift	SFT		1-bit shift of device	4
Master control	MC		Starts master control	2
	MCR		Resets master control	1

3 START-UP PROCEDURES

(b) Comparison instruction

Category	Instruction Symbol	Symbol	Processing Details	Steps
BIN 16-bit data comparisons	LD=		Conductive status when (S1) = (S2) Non-Conductive status when (S1) ≠ (S2)	3
	AND=			3
	OR=			3
	LD>		Conductive status when (S1) > (S2) Non-Conductive status when (S1) ≤ (S2)	3
	AND>			3
	OR>			3
	LD<		Conductive status when (S1) < (S2) Non-Conductive status when (S1) ≥ (S2)	3
	AND<			3
	OR<			3
BIN 32-bit data comparisons	LDD=		Conductive status when (S1+1, S1) = (S2+1, S2) Non-Conductive status when (S1+1, S1) ≠ (S2+1, S2)	3 to 4
	ANDD=			3 to 4
	ORD=			3 to 4
	LDD>		Conductive status when (S1+1, S1) > (S2+1, S2) Non-Conductive status when (S1+1, S1) ≤ (S2+1, S2)	3 to 4
	ANDD>			3 to 4
	ORD>			3 to 4
	LDD<		Conductive status when (S1+1, S1) < (S2+1, S2) Non-Conductive status when (S1+1, S1) ≥ (S2+1, S2)	3 to 4
	ANDD<			3 to 4
	ORD<			3 to 4

(c) Arithmetic operation instruction

Category	Instruction Symbol	Symbol	Processing Details	Steps
BIN 16-bit addition and subtraction operations	+		(S1)+(S2) → (D)	4
	-		(S1)-(S2) → (D)	4
BIN 32-bit addition and subtraction operations	D+		(S1+1, S1) + (S2+1, S2) → (D+1, D)	4 to 5
	D-		(S1+1, S1) - (S2+1, S2) → (D+1, D)	4 to 5
BIN 16-bit multiplication and division operations	*		(S1) × (S2) → (D+1, D)	4
	/		(S1) / (S2) → Quotient (D), Remainder (D+1)	5
BIN 32-bit multiplication and division operations	D*		(S1+1, S1) × (S2+1, S2) → (D+3, D+2, D+1, D)	5 to 6
	D/		(S1+1, S1) / (S2+1, S2) → Quotient (D+1, D), Remainder (D+3, D+2)	5 to 6
BIN data increment and decrement	INC		(D)+1 → (D)	2
	DINC		(D+1, D)+1 → (D+1, D)	2
	DEC		(D)-1 → (D)	2
	DDEC		(D+1, D)-1 → (D+1, D)	2

3 START-UP PROCEDURES

(d) BCD ↔ BIN conversion instruction

Category	Instruction Symbol	Symbol	Processing Details	Steps
BCD conversions	BCD		(S) $\xrightarrow{\text{BCD conversions}}$ (D) BIN(0 to 9999)	3
	DBCDC		(S+1,S) $\xrightarrow{\text{BCD conversions}}$ (D+1,D) BIN(0 to 99999999)	4
BIN conversions	BIN		(S) $\xrightarrow{\text{BIN conversions}}$ (D) BCD(0 to 9999)	3
	DBIN		(S+1,S) $\xrightarrow{\text{BIN conversions}}$ (D+1,D) BCD(0 to 99999999)	4

(e) Data transfer instruction

Category	Instruction Symbol	Symbol	Processing Details	Steps
16-bit data transfer	MOV		(S) → (D)	3
32-bit data transfer	DMOV		(S+1, S) → (D+1, D)	3 to 4
16-bit data exchange	XCH		(D1) ↔ (D2)	4
32-bit data exchange	DXCH		(D1+1, D1) ↔ (D2+1, D2)	4
Block transfer	BMOV			5
Identical 16-bit data block transfers	FMOV			5

(f) Program branch instruction

Category	Instruction Symbol	Symbol	Processing Details	Steps
Jump	CJ		Jumps to Pn when input conditions are met.	2
Termination	FEND		Termination of main program	1
Subroutine program calls	CALL		Executes subroutine program Pn when input condition is met.	2
	RET		Returns from subroutine program	1

3 START-UP PROCEDURES

(g) Logical operation instruction

Category	Instruction Symbol	Symbol	Processing Details	Steps
Logical product	WAND		$(S1) \wedge (S2) \rightarrow (D)$	4
	DAND		$(D+1, D) \wedge (S+1, S) \rightarrow (D+1, D)$	3 to 4
Logical sum	WOR		$(S1) \vee (S2) \rightarrow (D)$	4
	DOR		$(D+1, D) \vee (S+1, S) \rightarrow (D+1, D)$	3 to 4
Exclusive OR	WXOR		$(S1) \nabla (S2) \rightarrow (D)$	4
	DXOR		$(D+1, D) \nabla (S+1, S) \rightarrow (D+1, D)$	3 to 4
Complement to 2	NEG		$(D)+1 \rightarrow (D)$	2

(h) Rotation instruction

Category	Instruction Symbol	Symbol	Processing Details	Steps
Right rotation (16-bit data)	ROR			3
	RCR			3
Right rotation (32-bit data)	DROR			3
	DRCR			3
Left rotation (16-bit data)	ROL			3
	RCL			3
Left rotation (32-bit data)	DROL			3
	DRCL			3
n-bit shift of 16-bit data	SFR			3
	SFL			3
1-word shift of n-words data	DSFR			4
	DSFL			4

3 START-UP PROCEDURES

(i) Data processing instruction

Category	Instruction Symbol	Symbol	Processing Details	Steps
Data searches	SER		<p>(S1) \rightarrow (S2) \rightarrow (D): Match No. (D+1): Number of matches</p>	6
Bit checks	SUM		<p>b15 (S) b0 \rightarrow (D): Number of 1s</p>	4
Decode	DECO		<p>Decode form 8 to 256</p> <p>(S) $\xrightarrow{\text{Decode}}$ (D) 2^n bits</p>	5
7-segment decode	SEG		<p>(S) b3 b0 \rightarrow 7SEG (D)</p>	3
Calculation of averages	S.AVE		<p>Calculates the mean of n-point devices (in 16-bit units) starting from the device specified by (S), and then stores the result into the device specified by (D).</p>	5

3 START-UP PROCEDURES

(6) Statement/note/comment

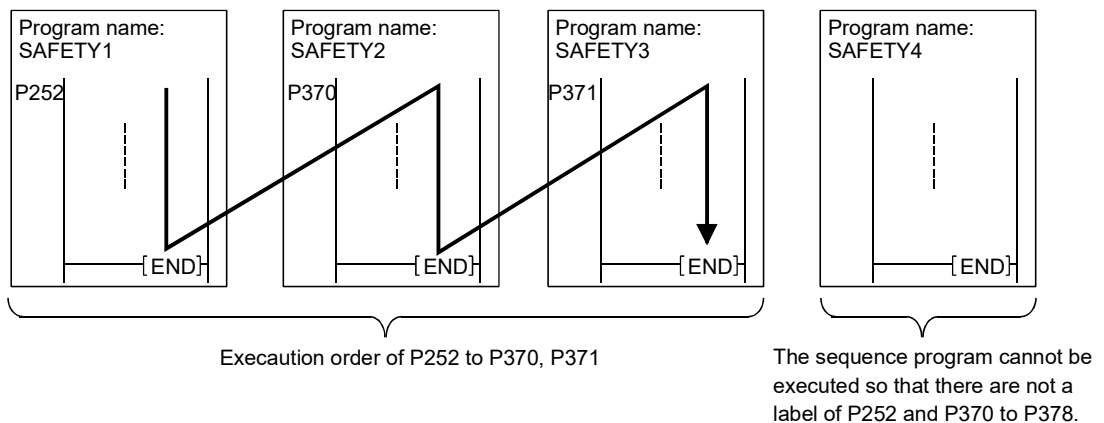
Line space statement and note can be used only in "Peripheral" type. If they are used in "PLC" type, the sequence programs cannot be executed correctly and "Safety observation error (error code: 10) (Sequence program error)" will occur. In addition, a device comment of each program cannot be held in Motion CPU. Use only "Global Device Comments" (GX Works2)/"Common Comments" (GX Developer) as device comments.

(7) Execution order of sequence programs

Up to 10 user safety sequence programs can be registered in Motion CPU and executed in series. The execution order of more than one programs depends on the label No. which is described on the head of each program.

Label No.	Execution priority
P252	First (must be set even when there is only one main program.)
P370 to P378	Second to tenth (has higher priority as the number becomes smaller.)

The following shows an execution example of more than one sequence programs.



POINT

- (1) Make sure to set a program label P252 and P370 to P378 on the start of each program. If the label is not set, sequence programs are not executed.
- (2) Do not use program labels P252 and P370 to P378 during a program or as jump destinations of CJ instruction or CALL instruction.
- (3) Label number is common in all registered programs. If the label No. is used redundantly, the program label which is written later has priority.

3 START-UP PROCEDURES

(8) Refresh timing of input/output signal

Execute the refresh of input (X) and output (Y) of the user safety sequence program of Motion CPU as the following timing. Direct refresh is unavailable.

Target module	Refresh Timing
Safety signal module	Input (X) : Before execution of the sequence program that P252 label was set Output (Y) : At the END processing of the sequence program which is the last to be executed ^(Note-1)
I/O module controlled by Motion CPU other than safety signal module	Main cycle of the Motion CPU

(Note-1): Refer to this section (7) for the execution order of sequence programs.

(9) Execution level and operation of sequence program processing

The execution levels of sequence programs for Motion CPU and contents of each motion processing are shown below.

Process	Contents	Priority
Sequence program execution processing	Safety signal monitoring processing, Execution of user safety sequence program	1 (high)
Motion operation processing	Servo amplifier operating processing, Servo amplifier communication processing, Motion SFC event task processing, etc.	2
Motion main processing	Communication processing with peripheral equipment, Automatic refresh device processing, Motion SFC normal task processing, etc.	3 (low)

(10) Sequence program check

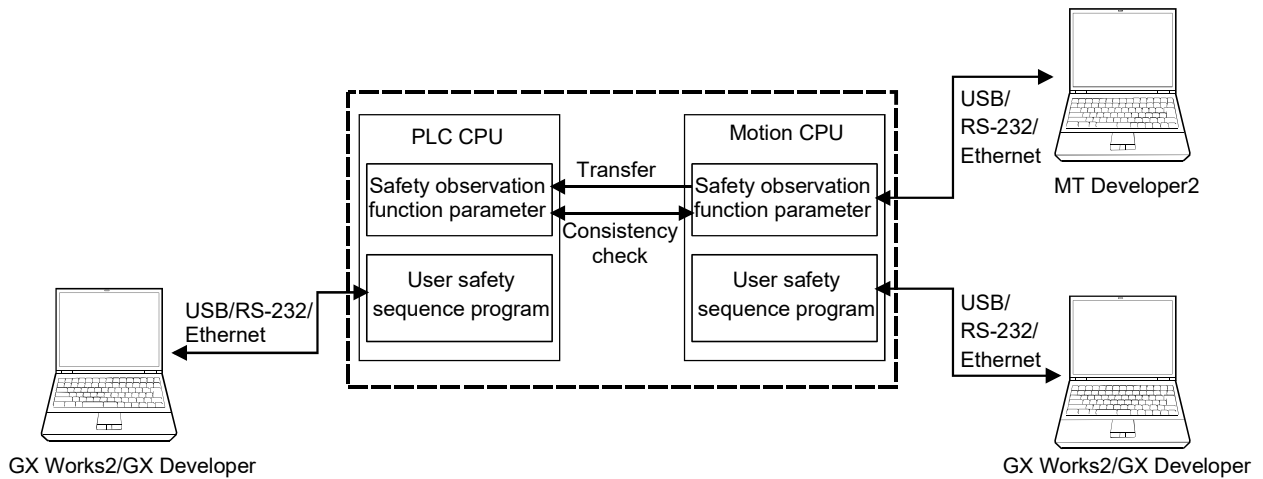
When the PLC READY flag (M2000) of Motion CPU turns from OFF to ON, check of the sequence program (detection of unavailable instructions, device range check, etc.) is executed.

If any error is detected, "Safety observation error (error code: 10)" occurs, and the Motion CPU cannot run the program. Confirm a detailed error code (SD33), remove the cause of the error, and turn M2000 from OFF to ON. Refer to chapter 6 for the contents of error codes and how to handle them.

3 START-UP PROCEDURES

3.6 Validation of Parameter or Program

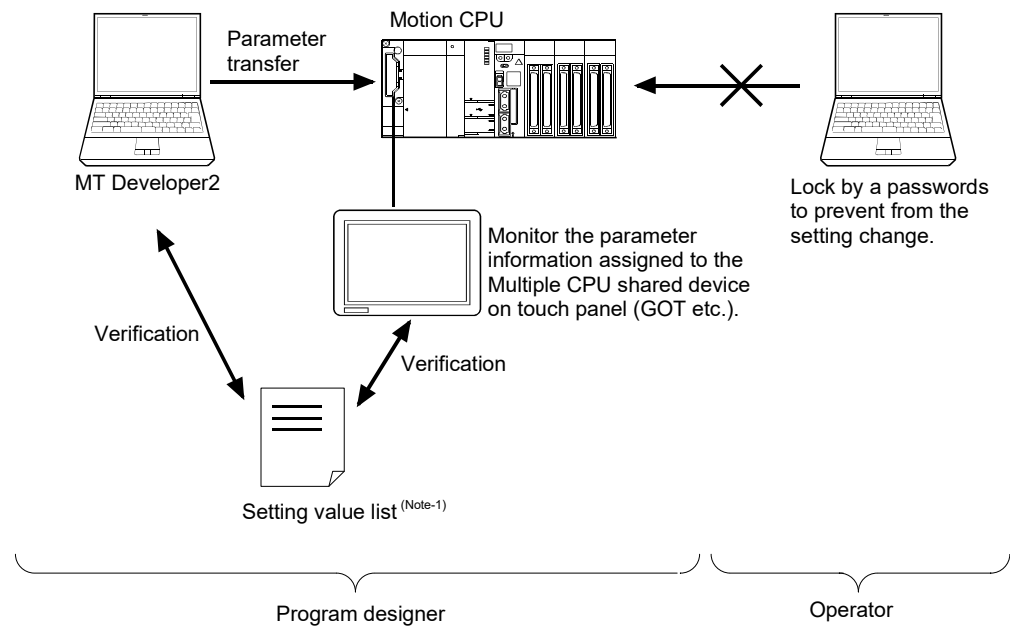
The following shows how to transfer safety observation function parameters and user safety sequence programs created by programming software to CPU modules.



3.6.1 How to validate parameter

Check the safety parameters transferred from MT Developer2 to Motion CPU on screen of MT Developer2 or touch panel (GOT etc.) connected to CPU module by monitoring the parameter information assigned to the Multiple CPU shared device. Make sure to confirm the parameters by comparing them to parameters written in the setting value list (Note-1).

Lock safety parameters by passwords to prevent from changing the setting.

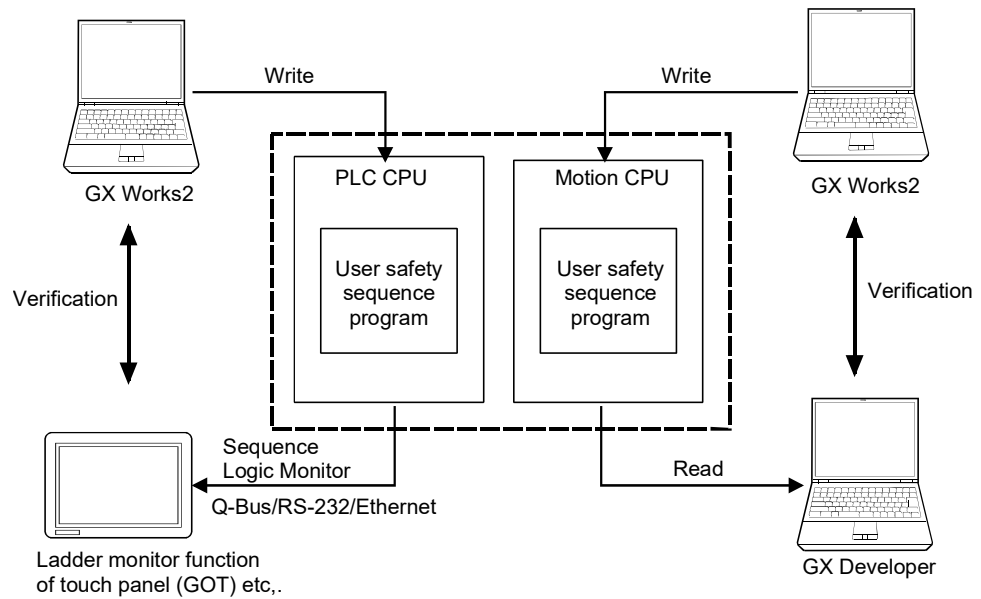


(Note-1): List of safety observation function parameter printed by print function of MT Developer2.

3 START-UP PROCEDURES

3.6.2 How to validate user safety sequence program

Check the user safety sequence programs created by programming software and user safety sequence programs written in the CPU module by using different tools (one of GX Developer/GX Works2/GOT Ladder monitor function) in writing or reading each. Lock user safety sequence programs by passwords to prevent from changing the setting.



4. DEDICATED DEVICES

4.1 Special Relay/Special Register for Safety Observation Function

Special relays and registers listed below are available in user safety sequence programs on Motion CPU side or Motion SFC programs while the safety observation function is activated.

Type	Device No. (Note-1)	Name	Description	PLC side (Note-2)
Special relay	SM12	Carry flag	Carry flag used in application instruction	SM700
	SM23	Sequence function STOP	Turns ON when user safety sequence program on PLC CPU side is in STOP status.	—
	SM24	Safety observation warning	Turns ON when the error (warning) occurs because the shut-off signal is not turned OFF by safety observation function.	—
	SM27	Safety signal output off check incomplete	Turns ON when output signals from safety signal module continue to be ON for more than 24 hours.	—
	SM28 (Note-3)	Safety signal output off check request	ON: output off check of safety signal module will start.	—
	SM32	Always ON	Normally is ON	SM400
	SM33	Always OFF	Normally is OFF	SM401
	SM34	ON only at one scan after RUN	After RUN, ON for 1 scan only.	SM402
	SM35	OFF only at one scan after RUN	After RUN, OFF for 1 scan only.	SM403
	SM36	0.1 seconds clock	Repeat the ON and OFF every 0.05 seconds.	SM410
	SM37	0.2 seconds clock	Repeat the ON and OFF every 0.1 seconds.	SM411
	SM38	1 second clock	Repeat the ON and OFF every 0.5 seconds.	SM412
	SM39	2 seconds clock	Repeat the ON and OFF every 1 second.	SM413
	SM40	2n seconds clock	This relay alternates between ON and OFF at intervals of the time (unit: s) specified in SD40.	SM414
	SM57	Safety observation error	Turns ON when the error that turns OFF the shut-off signal occurs.	—
	SM810 (Note-3), (Note-4)	Safety observation error reset enable	ON: Speed monitoring error reset is enabled by switching remote STOP to RUN with MT Developer2.	—
Special register	SD32	Safety signal observation error (Error code)	Stores the safety observation error code	—
	SD33	Safety signal observation error (Detail code)	Stores the safety observation error detail code	—
	SD34	1 second counter	Following CPU RUN, 1 is added each second Count repeats from 0 to 32767 to -32768 to 0	SD412
	SD35	Scan counter	Following CPU RUN, 1 is added each scan Count repeats from 0 to 32767 to -32768 to 0	SD420
	SD37	Current scan time (ms)	The current scan time is stored	SD520
	SD38	Minimum scan time (ms)	Stores the minimum value of the scan time	SD524
	SD39	Maximum scan time (ms)	Stores the maximum value of the scan time	SD526
	SD40 (Note-3)	2n seconds clock setting	Store the setting value of 2n seconds clock (SM40)	SD414

(Note-1): The ranges of SM0 to 127 and SD0 to 127 which are not on this list are also available. Refer to "Q173D(S)CPU/Q172D(S)CPU Motion controller Programming Manual (COMMON)" for details.

(Note-2): Device number on PLC CPU side for the same function.

(Note-3): Command (Setting) device.

(Note-4): This device cannot be used in the user safety sequence program.

4 DEDICATED DEVICES

Type	Device No. (Note-1)	Name	Description	PLC side (Note-2)
Special register	SD42 SD43	Safety communication connection information	Checks the connection status of safety communication (Communicating: 1/Disconnected: 0), and stores the result as bit data. SD42: b0 to b15 (Axis 1 to 16) SD43: b0 to b15 (Axis 17 to 32)	—
	SD980 (Note-5)	PLC device allocation change	Changes device area used by sequence programs for safety observation of PLC CPU. 0: fixed area 1: the end of usable area	—

(Note-5): Refer to section 4.2 for details.

4 DEDICATED DEVICES

4.2 Device Used in Sequence Programs for Safety Observation on PLC CPU Side.

The sequence programs for safety observation use the devices shown below.
Do not use the devices in the list for user program of PLC CPU.

Table 4.1 devices for safety observation (when SD980 is 0)

Device type	Device range			
	Used only for the safety signal comparison	Used for the safety signal comparison and the speed monitoring function	Used for the safety signal comparison and the safety communication function	Used for the safety signal comparison, the speed monitoring function, and the safety communication function
D	D8000 to D8192	D8000 to D9499	D5700 to D8191	D5700 to D9499
M	M7000 to M8191		M6700 to M8191	
T	T1900 to T2047	T1850 to T2047	T1900 to T2047	T1850 to T2047
Z	Z15 to Z19		Z13 to Z19	
P (Note-1)	P0 to P19			

(Note-1): Uses the pointer P is used as a local pointer.

The device range (D/M/T) used by the sequence program for safety observation can be changed to end device by setting "1" to SD980 of Motion CPU. Change SD980 before turning on the power again after the safety observation function parameter is written in Motion CPU.

Table 4.2 devices for safety observation (When SD980 is 1)

Device type	Device range			
	Used only for the safety signal comparison	Used for the safety signal comparison and the speed monitoring function	Used for the safety signal comparison and the safety communication function	Used for the safety signal comparison, the speed monitoring function, and the safety communication function
D	192 points of end of device area	1500 points of end of device area	2492 points of end of device area	3800 points of end of device area
M	1192 points of end of device area		1492 points of end of device area	
T	148 points of end of device area	198 points of end of device area	148 points of end of device area	198 points of end of device area
Z	Z15 to Z19		Z13 to Z19	
P (Note-1)	P0 to P19			

(Note-1): Uses the pointer P is used as a local pointer.

POINT

Even after power turns OFF, the setting value of SD980 is not erased because SD980 is the latch device. However, this device is not included in ROM operating data. When using SD980 in ROM operation, create the Motion SFC program that sets the value of SD980.

4.3 Multiple CPU Shared Device for Safety Observation Functions

PLC CPU and Motion CPU exchange information about the safety observation each other by using the high-speed transmission area among multiple CPUs. Monitoring this area by using the sampling trace function of GX Works2/GX Developer or digital oscilloscope function of MT Developer2 can be a help to perform the troubleshooting.

CAUTION

- The device in this section is a device only for the monitor. Do not change the value of the device by the user program. If the value is changed by mistake, safety cannot be secured. The safety observation error also may occur, and the shut-off signal may be turned off.

4 DEDICATED DEVICES

4.3.1 Shared device list for safety signal comparison

Table 4.3 Shared device list for safety signal comparison

Signal types		Device No.			
		PLC CPU side		Motion CPU side	
		I/O device (Note-1)	Multiple CPU shared device (Note-2)	I/O device (Note-1)	Multiple CPU shared device (Note-2)
1	Safety signal module1 input status	X□+00 to X□+0F X□+10 to X□+1F	U3E0\G□+00 U3E0\G□+01	X□+00 to X□+0F X□+10 to X□+1F	U3E1\G□+00 U3E1\G□+01
	Safety signal module2 input status	X□+00 to X□+0F X□+10 to X□+1F	U3E0\G□+02 U3E0\G□+03	X□+00 to X□+0F X□+10 to X□+1F	U3E1\G□+02 U3E1\G□+03
	Safety signal module3 input status	X□+00 to X□+0F X□+10 to X□+1F	U3E0\G□+04 U3E0\G□+05	X□+00 to X□+0F X□+10 to X□+1F	U3E1\G□+04 U3E1\G□+05
2	Safety signal module1 input error	—	U3E0\G□+10 U3E0\G□+11	—	U3E1\G□+10 U3E1\G□+11
	Safety signal module2 input error	—	U3E0\G□+12 U3E0\G□+13	—	U3E1\G□+12 U3E1\G□+13
	Safety signal module3 input error	—	U3E0\G□+14 U3E0\G□+15	—	U3E1\G□+14 U3E1\G□+15
3	Safety signal module1 output status	Y□+0A to Y□+0F Y□+1A to Y□+1F	U3E0\G□+20	Y□+0A to Y□+0F Y□+1A to Y□+1F	U3E1\G□+20
	Safety signal module2 output status	Y□+0A to Y□+0F Y□+1A to Y□+1F	U3E0\G□+21	Y□+0A to Y□+0F Y□+1A to Y□+1F	U3E1\G□+21
	Safety signal module3 output status	Y□+0A to Y□+0F Y□+1A to Y□+1F	U3E0\G□+22	Y□+0A to Y□+0F Y□+1A to Y□+1F	U3E1\G□+22
4	Safety signal module1 output error	—	U3E0\G□+24	—	U3E1\G□+24
	Safety signal module2 output error	—	U3E0\G□+25	—	U3E1\G□+25
	Safety signal module3 output error	—	U3E0\G□+26	—	U3E1\G□+26
5	Safety signal comparison status 2	—	U3E0\G□+29	—	U3E1\G□+29
6	Safety signal comparison activity check information	—	U3E0\G□+30	—	U3E1\G□+30
7	Safety signal comparison status	—	U3E0\G□+31	—	U3E1\G□+31
8	Multiple CPU shared device address for safety observation	—	U3E0\G□+32	—	U3E1\G□+32
9	Safety signal mismatch allowance time	—	U3E0\G□+33	—	U3E1\G□+33
10	PLC CPU side safety signal module1 start device No.	—	U3E0\G□+34	—	U3E1\G□+34
	PLC CPU side safety signal module2 start device No.	—	U3E0\G□+35	—	U3E1\G□+35
	PLC CPU side safety signal module3 start device No.	—	U3E0\G□+36	—	U3E1\G□+36
11	The number of safety signal module	—	U3E0\G□+38	—	U3E1\G□+38

(Note-1): □ is the setting value of start device number for safety signal comparison parameter. (for each module)

(Note-2): □ is Multiple CPU shared device start address of safety signal comparison parameter.

Device numbers are for when PLC CPU is CPU No.1, and Motion CPU is CPU No.2

4 DEDICATED DEVICES

4.3.2 Detailed description of shared device for safety signal comparison

(1) Safety signal input status

Signal name	Device No. (Note-1)	
	PLC CPU side	Motion CPU side
Safety signal module1 input status	U3E0\G□+00, U3E0\G□+01	U3E1\G□+00, U3E1\G□+01
Safety signal module2 input status	U3E0\G□+02, U3E0\G□+03	U3E1\G□+02, U3E1\G□+03
Safety signal module3 input status	U3E0\G□+04, U3E0\G□+05	U3E1\G□+04, U3E1\G□+05

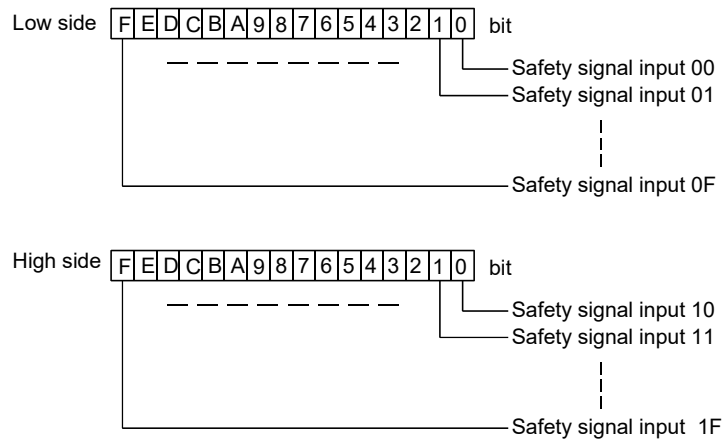
(Note-1): □ is Multiple CPU shared device start address of safety signal comparison parameter.

[Function]

Safety signal input status of the safety signal module 1 to 3 is stored.

[Operation]

Each bit corresponds to the following signals. If a signal is ON, the corresponding bit will be turned ON.



(2) Safety signal input error

Signal name	Device No. (Note-1)	
	PLC CPU side	Motion CPU side
Safety signal module1 input error	U3E0\G□+10, U3E0\G□+11	U3E1\G□+10, U3E1\G□+11
Safety signal module2 input error	U3E0\G□+12, U3E0\G□+13	U3E1\G□+12, U3E1\G□+13
Safety signal module3 input error	U3E0\G□+14, U3E0\G□+15	U3E1\G□+14, U3E1\G□+15

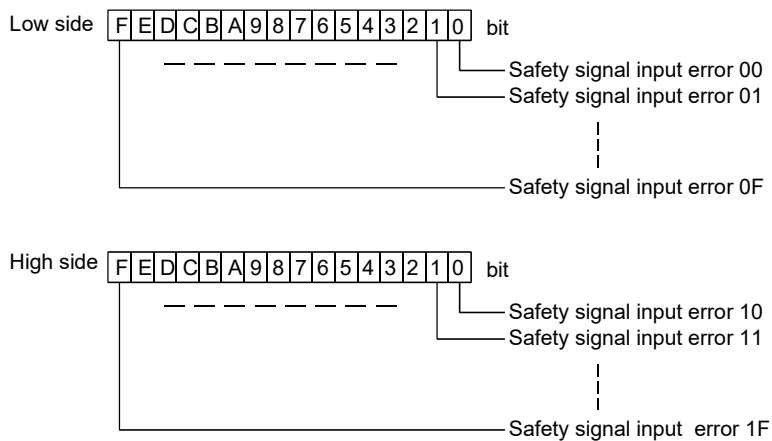
(Note-1): □ is Multiple CPU shared device start address of safety signal comparison parameter.

[Function]

The comparison status between the safety signal input to Motion CPU side and PLC CPU side from safety signal module 1 to 3 is stored. Once the signal is turned ON, the signal status will not change until the power is turned ON again or is reset.

[Operation]

Each bit corresponds to the following signals. If safety signal comparison error, a corresponding signal bit will be turned ON.



(3) Safety signal output status

Signal name	Device No. (Note-1)	
	PLC CPU side	Motion CPU side
Safety signal module1 output status	U3E0\G□+20	U3E1\G□+20
Safety signal module2 output status	U3E0\G□+21	U3E1\G□+21
Safety signal module3 output status	U3E0\G□+22	U3E1\G□+22

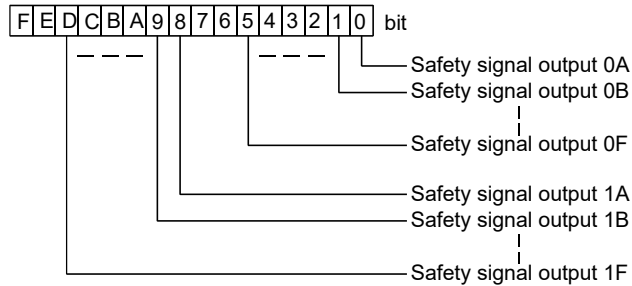
(Note-1): □ is Multiple CPU shared device start address of safety signal comparison parameter.

[Function]

The output status of safety signal from the safety signal module 1 to 3 is stored.

[Operation]

Each bit corresponds to the following signals. If a signal is ON, the corresponding signal bit will be turned ON.



(4) Safety signal output feedback comparison error

Signal name	Device No. (Note-1)	
	PLC CPU side	Motion CPU side
Safety signal module1 output error	U3E0\G□+24	U3E1\G□+24
Safety signal module2 output error	U3E0\G□+25	U3E1\G□+25
Safety signal module3 output error	U3E0\G□+26	U3E1\G□+26

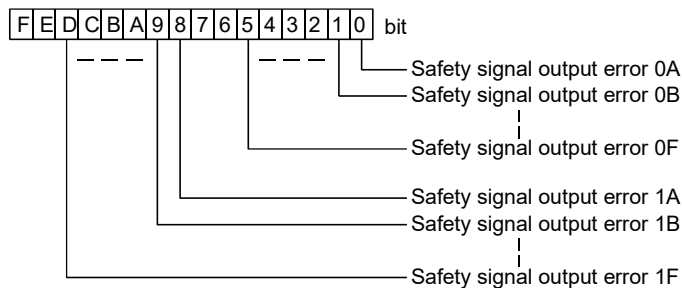
(Note-1): □ is Multiple CPU shared device start address of safety signal comparison parameter.

[Function]

The comparison status between safety signal output from safety signal module 1 to 3 and its return input signal is stored. Once the signal turns ON, the signal status will not be changed until the controller power is turned ON again.

[Operation]

Each bit corresponds to the following signal. If signal comparison error occurs, the corresponding bit will be turned ON.



(5) Safety signal comparison status 2

Signal name	Device No. (Note-1)	
	PLC CPU side	Motion CPU side
Safety signal comparison status 2	U3E0\G□+29	U3E1\G□+29

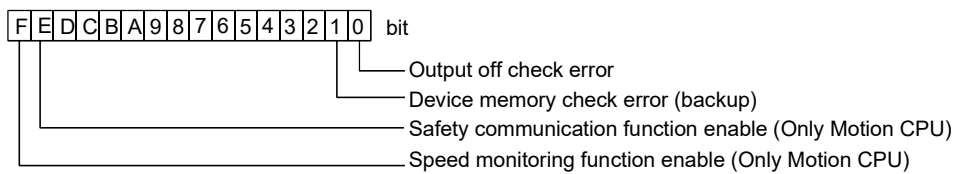
(Note-1): □ is Multiple CPU shared device start address of safety signal comparison parameter.

[Function]

The safety signal comparison status is stored.

[Operation]

Each bit corresponds to the following signals.



- Bit 0: Output off check error

This signal is turned ON when an error is detected in output signal by output off check.

This is the inverted signal of bit F of "safety signal comparison status"

- Bit 1: Device memory check error (backup)

This signal is turned ON when the CPU detects device memory check error.

This is the same signal as bit 7 of "safety signal comparison status".

- Bit E: Safety communication function enable (Only Motion CPU)

This signal is turned ON when the safety communication parameter is set.

- Bit F: Speed monitoring function enable (Only Motion CPU)

This signal is turned ON when the speed monitoring parameter is set.

(6) Safety signal comparison activity check information

Signal name	Device No. (Note-1)	
	PLC CPU side	Motion CPU side
Safety signal comparison activity check information	U3E0\G□+30	U3E1\G□+30

(Note-1): □ is Multiple CPU shared device start address of safety signal comparison parameter.

[Function]

The counter value of safety signal comparison activity check is stored.

[Operation]

To confirm that the safety signal comparison is properly executed by the Motion CPU and PLC CPU, the CPUs perform activity check each other.

(7) Safety signal comparison status

Signal name	Device No. (Note-1)	
	PLC CPU side	Motion CPU side
Safety signal comparison status	U3E0\G□+31	U3E1\G□+31

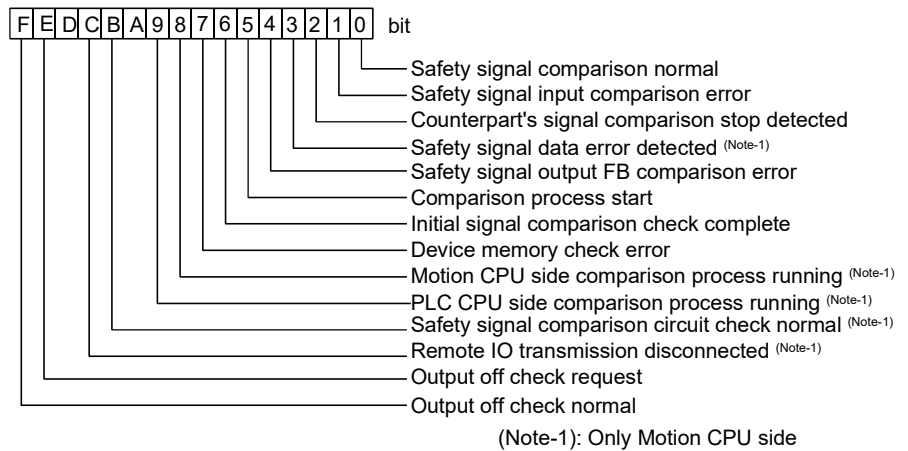
(Note-1): □ is Multiple CPU shared device start address of safety signal comparison parameter.

[Function]

The safety signal comparison status is stored.

[Operation]

Each bit corresponds to the following signals.



- Bit 0: Safety signal comparison normal
This signal is turned ON when no error relating to signal comparison and sequence check is occurring, and the safety signal comparison is properly being performed on Motion CPU or PLC CPU side
- Bit 1: Safety signal input comparison error
This signal is turned ON when mismatch status is detected by input signal comparison on Motion CPU or PLC CPU side.
- Bit 2: Counterpart's signal comparison stop detected
This signal is turned ON when Motion CPU or PLC CPU side detect that the safety signal comparison process (sequence program) on counterpart's CPU is not executed correctly.
- Bit 3: Safety signal data error detected (only Motion CPU side)
This signal is turned ON when data transmission from the Motion CPU to PLC CPU is not executed correctly. (The data is to be transferred from the Motion CPU to PLC CPU so that the PLC CPU executes the safety signal comparison sequence program.)
- Bit 4: Safety signal output FB comparison error
This signal is turned ON when the output signal and its return input signal do not match on Motion CPU or PLC CPU side.
- Bit 5: Comparison process start
This signal is turned ON when the safety signal comparison processing (sequence program) is being executed on Motion CPU or PLC CPU side.

- Bit 6: Initial signal comparison check complete
This signal is turned ON when detects that both the Motion CPU and PLC CPU start to execute the safety signal comparison process (sequence program), and the signal status match at start-up.
- Bit 7: Device memory check error
This signal is turned ON when detects device memory check error.
- Bit 8: Comparison process running (only Motion CPU side)
This signal is turned ON when the Motion CPU is running the sequence program.
- Bit 9: PLC CPU side comparison process running (only Motion CPU side)
This signal is turned ON when the Motion CPU detects that the PLC CPU is running the sequence program.
- Bit B: Safety signal comparison circuit check normal (only Motion CPU side)
This signal is turned ON when the Motion CPU reads and compares the PLC CPU's safety signal comparison sequence program, and detects that no error is occurring.
- Bit C: Remote I/O transmission disconnected (only Motion CPU side)
This signal is turned ON when disconnection of cable between the Motion CPU and the safety signal module is detected.
- Bit E: Output off check request (Motion CPU side)
This signal is turned ON when the output off check is requested. It is linked with the output off check request flag (SM28)
Output off check complete (PLC CPU side)
After completing the output off check, this signal stays ON until the Motion CPU side check request flag is dropped.
- Bit F: Output off check normal
This signal is turned ON when the result of first time output off check is normal at power up. After the first time check, the signal will be turned OFF if the output off check by user request detects an error.

(8) Multiple CPU shared device address for safety observation

Signal name	Device No. (Note-1)	
	PLC CPU side	Motion CPU side
Multiple CPU shared device address for safety observation	U3E0\G□+32	U3E1\G□+32

(Note-1): □ is Multiple CPU shared device start address of safety signal comparison parameter.

[Function]

Start number of the multiple CPU shared device address for safety observation is stored.

[Operation]

The value set in the safety signal comparison parameter "multiple CPU area device address setting" is always stored.

(9) Safety signal mismatch allowance time

Signal name	Device No. (Note-1)	
	PLC CPU side	Motion CPU side
Safety signal mismatch allowance time	U3E0\G□+33	U3E1\G□+33

(Note-1): □ is Multiple CPU shared device start address of safety signal comparison parameter.

[Function]

The safety signal comparison mismatch allowance time of the safety signal module is stored. Whether the set data is transmitted correctly from Motion CPU to PLC CPU is confirmed.

[Operation]

The set value of "Safety signal mismatch allowance time" in the safety observation function parameter is always stored.

(10) PLC CPU side safety signal module start device No.

Signal name	Device No. (Note-1)	
	PLC CPU side	Motion CPU side
Safety signal module1 start device No.	U3E0\G□+34	U3E1\G□+34
Safety signal module2 start device No.	U3E0\G□+35	U3E1\G□+35
Safety signal module3 start device No.	U3E0\G□+36	U3E1\G□+36

(Note-1): □ is Multiple CPU shared device start address of safety signal comparison parameter.

[Function]

The safety signal start device No. of PLC CPU side of the safety signal module 1 to 3 is stored. Whether the set data is transmitted correctly from Motion CPU to PLC CPU is confirmed.

[Operation]

The set value of "Safety signal start device No. (PLC CPU side)" in the safety observation function parameter is always stored.

(11) The number of safety signal module

Signal name	Device No. (Note-1)	
	PLC CPU side	Motion CPU side
The number of safety signal module	U3E0\G□+38	U3E1\G□+38

(Note-1): □ is Multiple CPU shared device start address of safety signal comparison parameter.

[Function]

The number of safety signal modules is stored. Whether the set data was correctly transmitted from Motion CPU to PLC CPU is confirmed.

[Operation]

The set value of "The number of safety signal modules" in the safety observation function parameter is always stored.

4 DEDICATED DEVICES

4.3.3 Shared device list for speed monitoring

Table 4.4 Shared device list for speed monitoring

Signal types		Device No. (Note-1)	
		PLC CPU side	Motion CPU side
1	Speed monitoring enabled flag	U3E0\G□+50, U3E0\G□+51	U3E1\G□+50, U3E1\G□+51
2	Speed monitoring executing flag	U3E0\G□+52, U3E0\G□+53	U3E1\G□+52, U3E1\G□+53
3	Speed monitoring parameter consistency check flag	U3E0\G□+54, U3E0\G□+55	U3E1\G□+54, U3E1\G□+55
	Unusable	U3E0\G□+56 to U3E0\G□+59	U3E1\G□+56 to U3E1\G□+59
4	Speed monitoring error status Parameter block 1 to 32	U3E0\G□+60 to U3E0\G□+91	U3E1\G□+60 to U3E1\G□+91
5	Cumulative external input pulses Parameter block 1 to 32	U3E0\G□+92 to U3E0\G□+123	U3E1\G□+92 to U3E1\G□+123
6	Travel value per motor encoder rotation Parameter block 1 to 32	U3E0\G□+124 to U3E0\G□+187 (2 words / block)	U3E1\G□+124 to U3E1\G□+187 (2 words / block)
7	Speed monitoring parameter Parameter block 1 to 32	—	U3E1\G□+188 to U3E1\G□+1019 (26 words / block)
8	Speed monitoring function control status Axis 1 to 32	—	U3E1\G□+1020 to U3E1\G□+1339 (10 words / axis)
	Unusable	—	U3E1\G□+1340 to U3E1\G□+1341

(Note-1): □ is Multiple CPU shared device start address of safety signal comparison parameter.
Device numbers are for when PLC CPU is CPU No.1, and Motion CPU is CPU No.2

4 DEDICATED DEVICES

4.3.4 Detailed description of shared device for speed monitoring

(1) Speed monitoring enabled flag

Signal name	Device No. (Note-1)	
	PLC CPU side	Motion CPU side
Speed monitoring enabled flag	U3E0\G□+50, U3E0\G□+51	U3E1\G□+50, U3E1\G□+51

(Note-1): □ is Multiple CPU shared device start address of safety signal comparison parameter.

[Function]

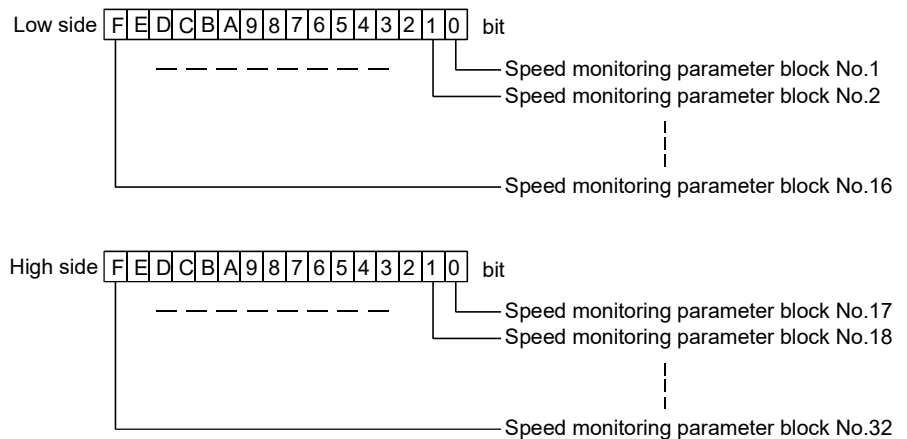
Status of execution enable of the speed monitoring (SLS) function is stored.

[Operation]

After speed monitoring request signal is turned ON, and speed monitoring parameter consistency check is completed normally, the bits of the corresponding parameter block will be turned ON.

This signal does not show the executing state of the speed monitoring.

Confirm the executing status by “Speed monitoring executing flag”.



(2) Speed monitoring executing flag

Signal name	Device No. (Note-1)	
	PLC CPU side	Motion CPU side
Speed monitoring executing flag	U3E0\G□+52, U3E0\G□+53	U3E1\G□+52, U3E1\G□+53

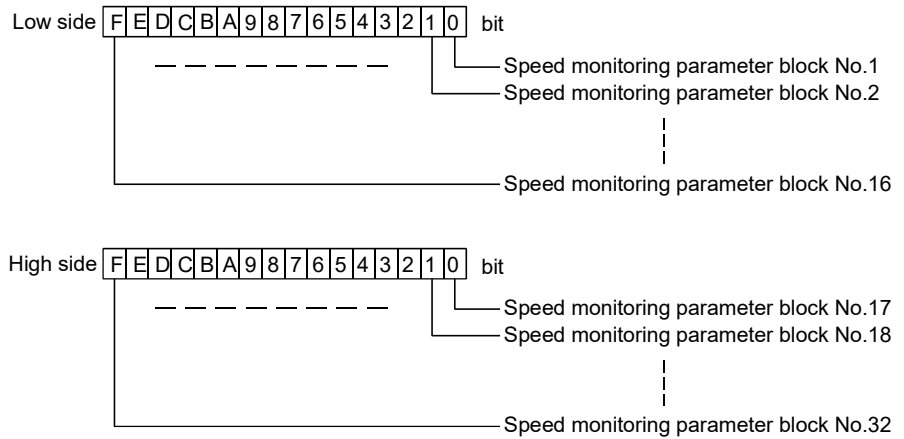
(Note-1): □ is Multiple CPU shared device start address of safety signal comparison parameter.

[Function]

The monitoring status of monitoring of the speed monitoring (SLS) function is stored.

[Operation]

This flag shows the executing status of the speed monitoring function. When the speed monitoring is processing, the bit of the corresponding parameter block No. will be turned on.



(3) Speed monitoring parameter consistency check flag

Signal name	Device No. (Note-1)	
	PLC CPU side	Motion CPU side
Speed monitoring parameter consistency check flag	U3E0\G□+54, U3E0\G□+55	U3E1\G□+54, U3E1\G□+55

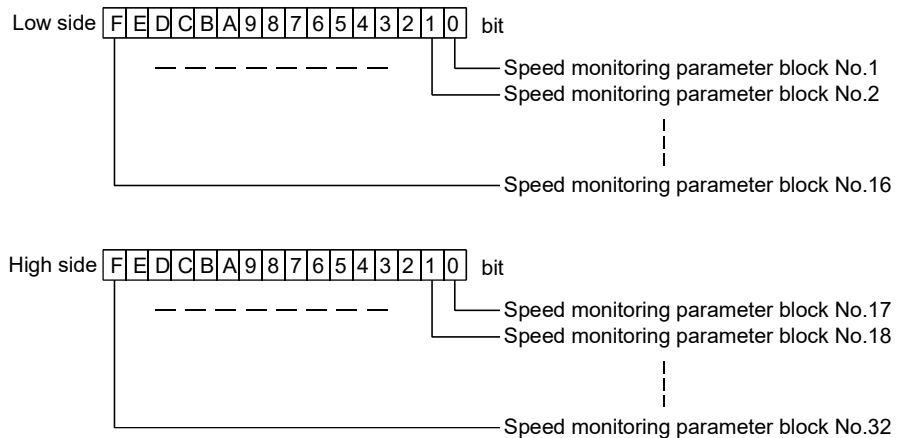
(Note-1): □ is Multiple CPU shared device start address of safety signal comparison parameter.

[Function]

The consistency check and comparison status of speed monitoring parameter is stored.

[Operation]

The execution status of the consistency check (Refer to section 2.4.4) in the speed monitoring parameter is stored. If the speed monitoring or the small oscillation starts, the bits of the corresponding parameter No. will be turned ON.



(4) Speed monitoring error status

Signal name	Device No. (Note-1)	
	PLC CPU side	Motion CPU side
Speed monitoring error status	U3E0\G□+60 to U3E0\G□+91	U3E1\G□+60 to U3E1\G□+91

(Note-1): □ is Multiple CPU shared device start address of safety signal comparison parameter.

[Function]

The error status detected by speed monitoring function is stored.

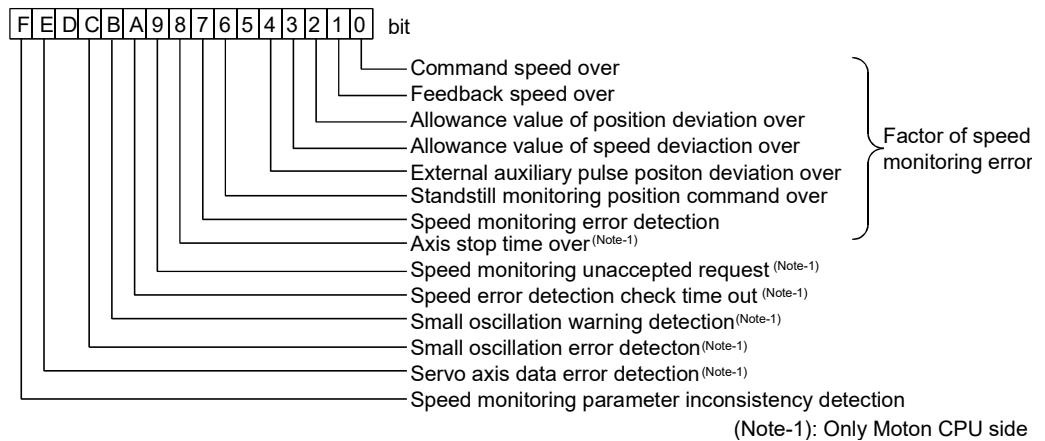
[Operation]

The error factor detected by speed monitoring is stored in the corresponding device of each speed monitoring parameter block. Each bit corresponds to the signals below. If the error factor is ON, the bit of the corresponding signal will be turned ON.

Bit 0 to 6 reflect the monitoring result of the corresponding signal in real time. If one of the bits 0 to 6 continues to be ON over speed monitoring error detection time, bit 7 will be turned ON and safety observation error will occur. Within the detection time, the all bits corresponding to the detected error factor is turned ON.

PLC CPU : U3E0\G□+60 (Parameter block No.1) to U3E0\G□+91 (Parameter block No.32)

Motion CPU : U3E1\G□+60 (Parameter block No.1) to U3E1\G□+91 (Parameter block No.32)



- Bit 0: Command speed over
If the command speed exceeds the safety speed (factor of "Safety observation error (error code: 110)"), this bit will be turned ON.
- Bit 1: Feedback speed over
If the feedback speed exceeds the safety speed (factor of "Safety observation error (error code: 111)"), this bit will be turned ON.
- Bit 2: Allowance value of position deviation over
If the position deviation exceeds the allowance value of position deviation (factor of "Safety observation error (error code: 112)"), this bit will be turned ON.

- Bit 3: Allowance value of speed deviation over
If the speed deviation exceeds the allowance value of speed deviation (factor of "Safety observation error (error code: 113)"), this bit will be turned ON.
- Bit 4: External auxiliary pulse position deviation over
If the difference between cumulative external auxiliary input pulse, or safety encoder and motor encoder value exceeds the allowance value (factor of "Safety observation error (error code: 114)"), this bit will be turned ON.
Allowance value is equivalent of 1.75 pulse in the external input pulse, or 1 pulse of safety encoder.
- Bit 6: Standstill monitoring position command over
If the command position has changed during standstill monitoring (factor of "Safety observation error (error code: 115)"), this bit will be turned ON
- Bit 7: Speed monitoring error detection
If one of the bits 0 to 6 continues to be ON over the speed monitoring error detection time, this bit will be turned ON.
- Bit 8: Axis stop time over (Motion CPU only)
During speed monitoring, if the axis is in standstill status without the small oscillation for one hour or more ("Safety observation error (error code: 120)"), this bit will be turned ON.
- Bit 9: Speed monitoring unaccepted request (Motion CPU only)
If the speed monitoring starts with the safety observation error ("Safety observation warning (error code: 210)"), this bit will be turned ON
- Bit A: Speed error detection check time out (Motion CPU only)
If a prior diagnosis is not completed normally at speed monitoring start-up ("Safety observation error (error code: 116)"), this bit will be turned ON
- Bit B: Small oscillation warning detection (Motion CPU only)
If the safety observation warning related to the small oscillation is occurred ("Safety observation warning (error code: 20□)"), this bit will be turned ON
- Bit C: Small oscillation error detection (Motion CPU only)
If the safety observation error related to the small oscillation is occurred ("Safety observation error (error code: 121)"), this bit will be turned ON
- Bit E: Servo axis data error detection (Motion CPU only)
If the inconsistency between the number of pulse per motor revolution, the movement amount per motor revolution, and the motor encoder resolution is detected, in the safety observation function parameter ("Safety observation error (error code: 102)"), this bit will be turned ON.
- Bit F: Speed monitoring parameter inconsistency detection
If the inconsistency between safety speed, the safety motor speed, and the movement amount per motor revolution is detected ("Safety observation error (error code: 101)"), this bit will be turned ON.

(5) Cumulative external input pulses

Signal name	Device No. (Note-1)	
	PLC CPU side	Motion CPU side
Cumulative external input pulses Parameter block 1 to 32	U3E0\G□+92 to U3E0\G□+123	U3E1\G□+92 to U3E1\G□+123

(Note-1): □ is Multiple CPU shared device start address of safety signal comparison parameter.

[Function]

The cumulative pulse value (BIN 16 bit data) of external auxiliary input pulse, or safety encoder is stored.

[Operation]

The external input pulse is counted by 1 multiplication, and the number of cumulative pulses is stored in the corresponding device for each parameter block. When a safety encoder is used, the number of cumulative pulses of the safety encoder is stored. After the power is turned ON, the number of cumulative pulses is counted during the speed monitoring enable status.

PLC CPU : U3E0\G□+92 (Parameter block No.1) to
U3E0\G□+123 (Parameter block No.32)

Motion CPU : U3E1\G□+92 (Parameter block No.1) to
U3E1\G□+123 (Parameter block No.32)

(6) Travel value per motor encoder rotation

Signal name	Device No. (Note-1)	
	PLC CPU side	Motion CPU side
Travel value per motor encoder rotation Parameter block 1 to 32	U3E0\G□+124 to U3E0\G□+187	U3E1\G□+123 to U3E1\G□+187

(Note-1): □ is Multiple CPU shared device start address of safety signal comparison parameter.

[Function]

The travel value per motor encoder rotation calculated with each CPU is stored.

[Operation]

The travel value per motor encoder rotation was calculated from the "number of pulse per motor rotation", "travel value per motor rotation", and the "motor encoder resolution", of speed monitoring parameter. The travel value per motor encoder rotation is stored in corresponding device by single-precision floating point data (32 bit) at every the parameter block.

PLC CPU : U3E0\G□+124 (Parameter block No.1) to
U3E0\G□+187 (Parameter block No.32)

Motion CPU : U3E1\G□+124 (Parameter block No.1) to
U3E1\G□+187 (Parameter block No.32)

(7) Speed monitoring parameter (Total 26 words per block)

Signal name	Device No. (Note-1)	
	PLC CPU side	Motion CPU side
Speed monitoring parameter	—	U3E1\G□+188 to U3E1\G□+1019

(Note-1): □ is Multiple CPU shared device start address of safety signal comparison parameter.

[Function]

The setting data in the speed monitoring parameter is stored. (Only Motion CPU side)

POINT

Compare this device value and the setting value list, and confirm the parameter is transferred to CPU unit correctly. (Refer to section 3.6.1)

[Operation]

The setting data is stored in each parameter block.

Block No.	Device No. (Note-1)	Signal name																																												
1	U3E1\G□+188 to U3E1\G□+213	<table border="1"> <thead> <tr> <th></th> <th>Signal name</th> </tr> </thead> <tbody> <tr><td>0</td><td>Speed monitoring axis number</td></tr> <tr><td>1</td><td>Speed monitoring error allowance time</td></tr> <tr><td>2</td><td>Axis unit setting</td></tr> <tr><td>3</td><td>Unusable</td></tr> <tr><td>4</td><td rowspan="2">Number of pulses per motor rotation</td></tr> <tr><td>5</td></tr> <tr><td>6</td><td rowspan="2">Travel value per motor rotation</td></tr> <tr><td>7</td></tr> <tr><td>8</td><td rowspan="2">Motor encoder resolution</td></tr> <tr><td>9</td></tr> <tr><td>10</td><td rowspan="2">Number of pulses per external sensor rotation</td></tr> <tr><td>11</td></tr> <tr><td>12</td><td rowspan="2">Movement amount per external sensor rotation</td></tr> <tr><td>13</td></tr> <tr><td>14</td><td rowspan="2">Safety speed</td></tr> <tr><td>15</td></tr> <tr><td>16</td><td rowspan="2">Safety motor speed</td></tr> <tr><td>17</td></tr> <tr><td>18</td><td rowspan="2">Allowance position deviation value</td></tr> <tr><td>19</td></tr> <tr><td>20</td><td rowspan="2">Allowance speed deviation value</td></tr> <tr><td>21</td></tr> <tr><td>22</td><td rowspan="2">SSM hysteresis width</td></tr> <tr><td>23</td></tr> <tr><td>24</td><td>SSM output Y device number</td></tr> <tr><td>25</td><td>External sensor input X device number</td></tr> </tbody> </table>		Signal name	0	Speed monitoring axis number	1	Speed monitoring error allowance time	2	Axis unit setting	3	Unusable	4	Number of pulses per motor rotation	5	6	Travel value per motor rotation	7	8	Motor encoder resolution	9	10	Number of pulses per external sensor rotation	11	12	Movement amount per external sensor rotation	13	14	Safety speed	15	16	Safety motor speed	17	18	Allowance position deviation value	19	20	Allowance speed deviation value	21	22	SSM hysteresis width	23	24	SSM output Y device number	25	External sensor input X device number
	Signal name																																													
0	Speed monitoring axis number																																													
1	Speed monitoring error allowance time																																													
2	Axis unit setting																																													
3	Unusable																																													
4	Number of pulses per motor rotation																																													
5																																														
6	Travel value per motor rotation																																													
7																																														
8	Motor encoder resolution																																													
9																																														
10	Number of pulses per external sensor rotation																																													
11																																														
12	Movement amount per external sensor rotation																																													
13																																														
14	Safety speed																																													
15																																														
16	Safety motor speed																																													
17																																														
18	Allowance position deviation value																																													
19																																														
20	Allowance speed deviation value																																													
21																																														
22	SSM hysteresis width																																													
23																																														
24	SSM output Y device number																																													
25	External sensor input X device number																																													
2	U3E1\G□+214 to U3E1\G□+239																																													
3	U3E1\G□+240 to U3E1\G□+265																																													
4	U3E1\G□+266 to U3E1\G□+291																																													
5	U3E1\G□+292 to U3E1\G□+317																																													
6	U3E1\G□+318 to U3E1\G□+343																																													
7	U3E1\G□+344 to U3E1\G□+369																																													
8	U3E1\G□+370 to U3E1\G□+395																																													
9	U3E1\G□+396 to U3E1\G□+421																																													
10	U3E1\G□+422 to U3E1\G□+447																																													
11	U3E1\G□+448 to U3E1\G□+473																																													
12	U3E1\G□+474 to U3E1\G□+499																																													
13	U3E1\G□+500 to U3E1\G□+525																																													
14	U3E1\G□+526 to U3E1\G□+551																																													
15	U3E1\G□+552 to U3E1\G□+577																																													
16	U3E1\G□+578 to U3E1\G□+603																																													
17	U3E1\G□+604 to U3E1\G□+629																																													
18	U3E1\G□+630 to U3E1\G□+655																																													
19	U3E1\G□+656 to U3E1\G□+681																																													
20	U3E1\G□+682 to U3E1\G□+707																																													
21	U3E1\G□+708 to U3E1\G□+733																																													
22	U3E1\G□+734 to U3E1\G□+759																																													
23	U3E1\G□+760 to U3E1\G□+785																																													
24	U3E1\G□+786 to U3E1\G□+811																																													
25	U3E1\G□+812 to U3E1\G□+837																																													
26	U3E1\G□+838 to U3E1\G□+863																																													
27	U3E1\G□+864 to U3E1\G□+889																																													
28	U3E1\G□+890 to U3E1\G□+915																																													
29	U3E1\G□+916 to U3E1\G□+941																																													
30	U3E1\G□+942 to U3E1\G□+967																																													
31	U3E1\G□+968 to U3E1\G□+993																																													
32	U3E1\G□+994 to U3E1\G□+1019																																													

(Note-1): □ is Multiple CPU shared device start address of safety signal comparison parameter.

4 DEDICATED DEVICES

4.3.5 Shared device list for safety communication

Table 4.5 Shared devices for safety observation

Signal types		Device No. (Note-1)	
		PLC CPU side	Motion CPU side
1	Servo amplifier functional safety unit setting bit	—	U3E1\G□+0, U3E1\G□+1
2	Encoder setting bit	—	U3E1\G□+2, U3E1\G□+3
3	Functional safety signal start device number	—	U3E1\G□+4 to U3E1\G□+67
4	Safety communication Multiple CPU shared device (PLC side)	—	U3E1\G□+68
5	Safety communication Multiple CPU shared device (Motion side)	—	U3E1\G□+69
6	Safety communication cycle	—	U3E1\G□+70
	Unusable	U3E0\G□+71 to U3E0\G□+75	U3E1\G□+71 to U3E1\G□+75
7	Safety communication enabled bit	—	U3E1\G□+76, U3E1\G□+77
	Unusable	U3E0\G□+78 to U3E0\G□+661	U3E1\G□+78 to U3E1\G□+661
8	Functional safety command	U3E0\G□+662 to U3E0\G□+725	U3E1\G□+662 to U3E1\G□+725
9	Unusable	U3E0\G□+726 to U3E0\G□+999	U3E1\G□+726 to U3E1\G□+999

(Note-1): □ is Multiple CPU shared device start address of safety communication parameter.
Device numbers are for when PLC CPU is CPU No.1 and Motion CPU is CPU No.2.

4.3.6 Detailed description of shared device for safety communication

(1) Servo amplifier functional safety unit setting bit

Signal name	Device No. (Note-1)	
	PLC CPU side	Motion CPU side
Servo amplifier functional safety unit setting bit	—	U3E1\G□+0, U3E1\G□+1

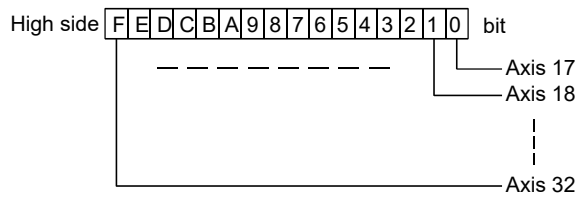
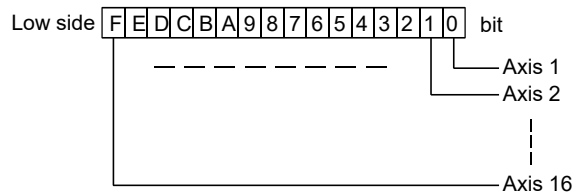
(Note-1): □ is Multiple CPU shared device start address of safety communication parameter.

[Function]

Whether the servo amplifier functional safety unit is used or not is stored.

[Operation]

When the servo amplifier functional safety unit is used, the bits of the corresponding axis No. will be turned ON.



(2) Encoder setting bit

Signal name	Device No. (Note-1)	
	PLC CPU side	Motion CPU side
Encoder setting bit	—	U3E1\G□+2, U3E1\G□+3

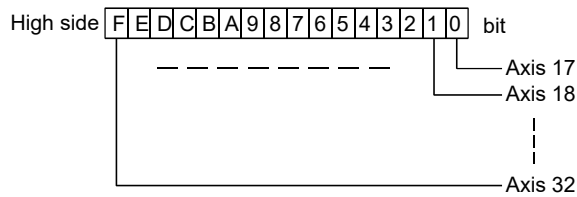
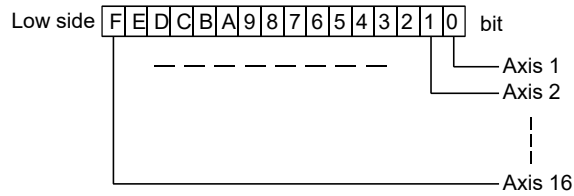
(Note-1): □ is Multiple CPU shared device start address of safety communication parameter.

[Function]

The encoder setting of the axis that conducts safety communication is stored.

[Operation]

When the safety encoder is used, the bits of the corresponding axis No. will be turned ON, and when the standard encoder is used, the bits of the corresponding axis No. will be turned OFF



4 DEDICATED DEVICES

(3) Functional safety signal start device number

Signal name	Device No. (Note-1)	
	PLC CPU side	Motion CPU side
Functional safety signal start device number	—	U3E1\G□+4 to U3E1\G□+67

(Note-1): □ is Multiple CPU shared device start address of safety communication parameter.

[Function]

The functional safety signal start device number of the PLC CPU side and Motion CPU side for each axis is stored.

[Operation]

The functional safety signal start device number of the PLC CPU side and Motion CPU side for each axis is stored.

Axis No.	Device No. (Note-1)	Signal name						
1	U3E1\G□+4 to U3E1\G□+5	<table border="1"> <thead> <tr> <th></th> <th>Signal name</th> </tr> </thead> <tbody> <tr> <td>0</td> <td>Functional safety signal start device number (PLC side)</td> </tr> <tr> <td>1</td> <td>Functional safety signal start device number (Motion side)</td> </tr> </tbody> </table>		Signal name	0	Functional safety signal start device number (PLC side)	1	Functional safety signal start device number (Motion side)
	Signal name							
0	Functional safety signal start device number (PLC side)							
1	Functional safety signal start device number (Motion side)							
2	U3E1\G□+6 to U3E1\G□+7							
3	U3E1\G□+8 to U3E1\G□+9							
4	U3E1\G□+10 to U3E1\G□+11							
5	U3E1\G□+12 to U3E1\G□+13							
6	U3E1\G□+14 to U3E1\G□+15							
7	U3E1\G□+16 to U3E1\G□+17							
8	U3E1\G□+18 to U3E1\G□+19							
9	U3E1\G□+20 to U3E1\G□+21							
10	U3E1\G□+22 to U3E1\G□+23							
11	U3E1\G□+24 to U3E1\G□+25							
12	U3E1\G□+26 to U3E1\G□+27							
13	U3E1\G□+28 to U3E1\G□+29							
14	U3E1\G□+30 to U3E1\G□+31							
15	U3E1\G□+32 to U3E1\G□+33							
16	U3E1\G□+34 to U3E1\G□+35							
17	U3E1\G□+36 to U3E1\G□+37							
18	U3E1\G□+38 to U3E1\G□+39							
19	U3E1\G□+40 to U3E1\G□+41							
20	U3E1\G□+42 to U3E1\G□+43							
21	U3E1\G□+44 to U3E1\G□+45							
22	U3E1\G□+46 to U3E1\G□+47							
23	U3E1\G□+48 to U3E1\G□+49							
24	U3E1\G□+50 to U3E1\G□+51							
25	U3E1\G□+52 to U3E1\G□+53							
26	U3E1\G□+54 to U3E1\G□+55							
27	U3E1\G□+56 to U3E1\G□+57							
28	U3E1\G□+58 to U3E1\G□+59							
29	U3E1\G□+60 to U3E1\G□+61							
30	U3E1\G□+62 to U3E1\G□+63							
31	U3E1\G□+64 to U3E1\G□+65							
32	U3E1\G□+66 to U3E1\G□+67							

(Note-1): □ is Multiple CPU shared device start address of safety communication parameter.

(4) Safety communication Multiple CPU shared device (PLC side)

Signal name	Device No. (Note-1)	
	PLC CPU side	Motion CPU side
Safety communication Multiple CPU shared device (PLC side)	—	U3E1\G□+68

(Note-1): □ is Multiple CPU shared device start address of safety communication parameter.

[Function]

The safety communication Multiple CPU shared device start number (PLC side) is stored.

[Operation]

The value set in the "safety communication Multiple CPU shared device" of the safety communication parameter on the PLC CPU side is set at all times.

(5) Safety communication Multiple CPU shared device (Motion side)

Signal name	Device No. (Note-1)	
	PLC CPU side	Motion CPU side
Safety communication Multiple CPU shared device (Motion side)	—	U3E1\G□+69

(Note-1): □ is Multiple CPU shared device start address of safety communication parameter.

[Function]

The safety communication Multiple CPU shared device start number (Motion side) is stored.

[Operation]

The value set in the "safety communication Multiple CPU shared device" of the safety communication parameter on the Motion CPU side is set at all times.

(6) Safety communication cycle

Signal name	Device No. (Note-1)	
	PLC CPU side	Motion CPU side
Safety communication cycle	—	U3E1\G□+70

(Note-1): □ is Multiple CPU shared device start address of safety communication parameter.

[Function]

The safety communication cycle is stored.

[Operation]

The value set in the "safety communication cycle" of the safety communication parameter is set at all times.

(7) Safety communication enabled bit

Signal name	Device No. (Note-1)	
	PLC CPU side	Motion CPU side
Safety communication enabled bit	—	U3E1\G□+76, U3E1\G□+77

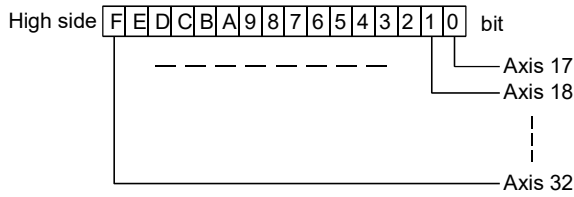
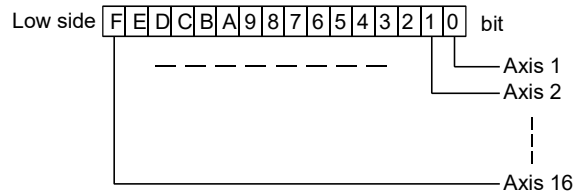
(Note-1): □ is Multiple CPU shared device start address of safety communication parameter.

[Function]

The status of the safety communication function is stored.

[Operation]

Shows the status of the safety communication function. When safety communication function is enabled, the bits of the corresponding axis No. will be turned ON.



(8) Functional safety command (Note-1)

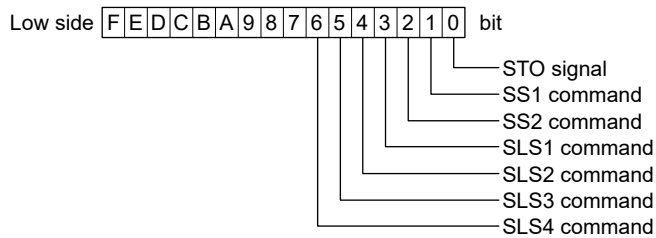
Signal name	Device No. (Note)	
	PLC CPU side	Motion CPU side
Functional safety command	U3E0\G□+662 to U3E0\G□+725	U3E1\G□+662 to U3E1\G□+725

(Note): □ is Multiple CPU shared device start address of safety communication parameter.

[Function]

The status of the functional safety command of each axis is stored.

[Operation]



- Bit 0 : STO signal
When the STO signal is turned OFF, the STO function of the servo amplifier operates and power supply is shut-off.
- Bit 1 (Note-2) : SS1 command
When the SS1 command is turned ON, the SS1 function of the servo amplifier operates.
- Bit 2 : SS2 command
When the SS2 command is turned ON, the SS2 function of the servo amplifier operates.
- Bit 3 to 6 (Note-2) : SLS1 to SLS4 command
When the SLS1 to SLS4 command is turned ON, the SLS function of the servo amplifier operates.

(Note-1): The high side devices (16 bits) allocated to the functional safety command are not be used.

(Note-2): The bits are in reverse to the bits of the command signals for safety observation function of the servo amplifier.

4 DEDICATED DEVICES

Axis No.	Device No. (Note-1)	Signal name					
1	U3E■\G□+662, U3E■\G□+663	<table border="1"> <tr> <td></td> <td>Signal name</td> </tr> <tr> <td>0</td> <td rowspan="2">Functional safety command</td> </tr> <tr> <td>1</td> </tr> </table>		Signal name	0	Functional safety command	1
	Signal name						
0	Functional safety command						
1							
2	U3E■\G□+664, U3E■\G□+665						
3	U3E■\G□+666, U3E■\G□+667						
4	U3E■\G□+668, U3E■\G□+669						
5	U3E■\G□+670, U3E■\G□+671						
6	U3E■\G□+672, U3E■\G□+673						
7	U3E■\G□+674, U3E■\G□+675						
8	U3E■\G□+676, U3E■\G□+677						
9	U3E■\G□+678, U3E■\G□+679						
10	U3E■\G□+680, U3E■\G□+681						
11	U3E■\G□+682, U3E■\G□+683						
12	U3E■\G□+684, U3E■\G□+685						
13	U3E■\G□+686, U3E■\G□+687						
14	U3E■\G□+688, U3E■\G□+689						
15	U3E■\G□+690, U3E■\G□+691						
16	U3E■\G□+692, U3E■\G□+693						
17	U3E■\G□+694, U3E■\G□+695						
18	U3E■\G□+696, U3E■\G□+697						
19	U3E■\G□+698, U3E■\G□+699						
20	U3E■\G□+700, U3E■\G□+701						
21	U3E■\G□+702, U3E■\G□+703						
22	U3E■\G□+704, U3E■\G□+705						
23	U3E■\G□+706, U3E■\G□+707						
24	U3E■\G□+708, U3E■\G□+709						
25	U3E■\G□+710, U3E■\G□+711						
26	U3E■\G□+712, U3E■\G□+713						
27	U3E■\G□+714, U3E■\G□+715						
28	U3E■\G□+716, U3E■\G□+717						
29	U3E■\G□+718, U3E■\G□+719						
30	U3E■\G□+720, U3E■\G□+721						
31	U3E■\G□+722, U3E■\G□+723						
32	U3E■\G□+724, U3E■\G□+725						

(Note-1): ■ is 0: PLC CPU side, ■ is 1: Motion CPU side

□ is Multiple CPU shared device start address of safety communication parameter.

5. SEQUENCE INSTRUCTIONS FOR MOTION CPU

This chapter describes the devices and instructions used to create a sequence program for Motion CPU.

5.1 Description of the Device for the Sequence Program

This section describes the devices available for the user safety sequence program of the Motion CPU. For the available device range, refer to Section 3.5.2.

POINTS

Not available the bit specification for the word device. If it is used sequence program will be error.

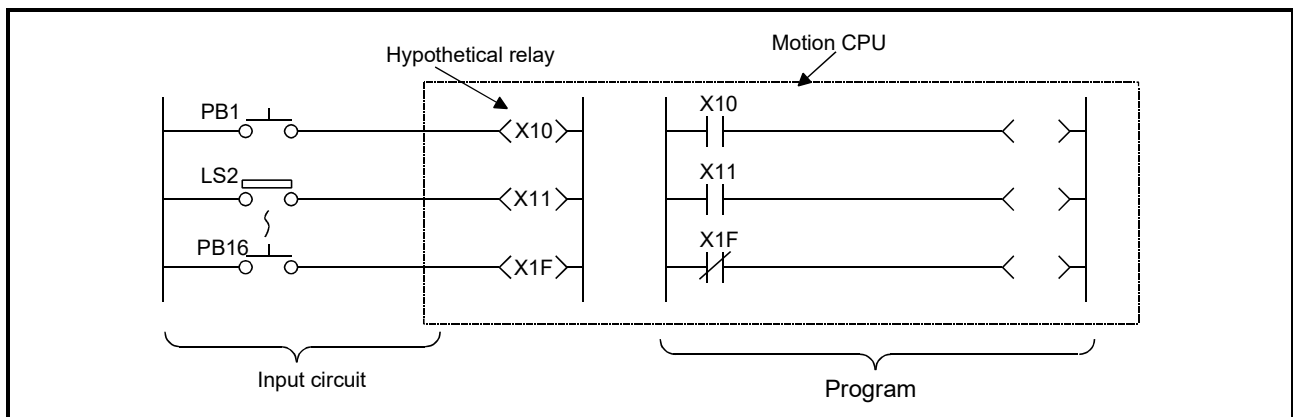
Safety observation errors (SM57) are turned ON and error code (SD32): 10, detail code (SD33): 2700H are stored.

5.1.1 Input/output (X, Y)

Input/output X and Y are used to transfer data between the sequence program and I/O module (safety signal module).

(1) Input (X)

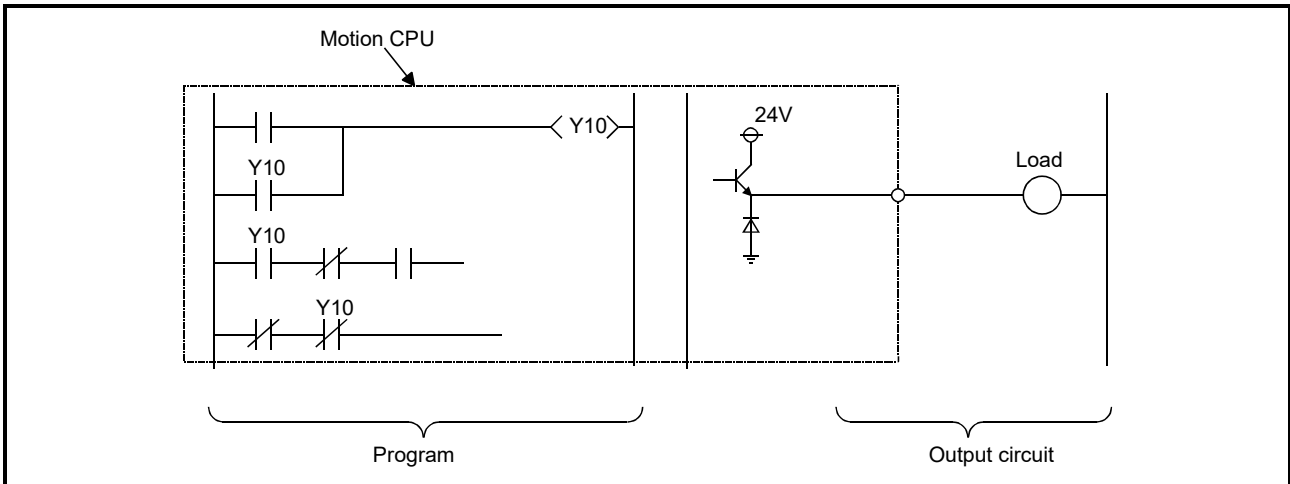
- (a) This issued commands or data from an external device such as a safety door, safety curtain, EMG buttons to the Motion CPU.
- (b) Assuming that there is a hypothetical relay Xn built-in the Motion CPU per input point, the program uses the "A" contact and "B" contact of that Xn.
- (c) There is no limit to the number of "A" contacts and "B" contacts of the input Xn that can be used in the program.
- (d) The input number is expressed with a hexadecimal.



5 SEQUENCE INSTRUCTIONS FOR MOTION CPU

(2) Output (Y)

- (a) This outputs the results of the program control to the solenoid, magnetic switch, signal lamp or digital indicator, etc.
- (b) The output (Y) can be retrieved with the equivalent of one "A" contact.
- (c) There is no limit to the number of "A" contacts and "B" contacts of the output Yn that can be used in the program.
- (d) The output number is expressed with a hexadecimal.



5.1.2 Internal relays (M, F)

The internal relays are auxiliary relays in the Motion CPU that cannot directly output to an external source. The F device does not provide the function as the annunciator (fault detection).

- (1) The relay is cleared when the power is turned OFF.
Latch setting can be applied to the system setting.
- (2) There is no limit to the number of "A" contacts and "B" contacts of the internal relays that can be used in the program.
- (3) The internal relay number is expressed with a decimal.
- (4) Part of the internal relay (M) is used in the system of the Motion CPU for the positioning dedicated signal, etc. The use of that is restricted. Refer to the "Q173D(S)CPU/Q172D(S)CPU Motion controller (SV13/SV22) Programming Manual (REAL MODE)" or "Q173D(S)CPU/Q172D(S)CPU Motion controller (SV22) Programming Manual (VIRTUAL MODE)" for details.

5 SEQUENCE INSTRUCTIONS FOR MOTION CPU

5.1.3 Special relays (SM)

Special relay has predetermined applications in the system. Do not use the special relay as a temporary memory like an internal relay.

- (1) This relay is cleared when the power is turned OFF.
- (2) There is no limit to the number of "A" contacts and "B" contacts of the special relays that can be used in the program.
- (3) The special relay number is expressed with a decimal.

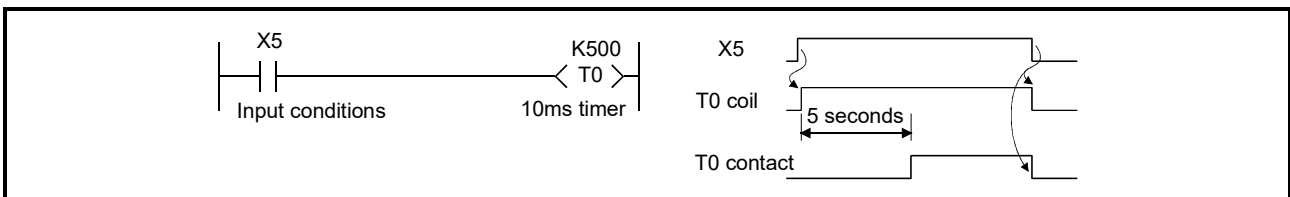
5.1.4 Timer (T)

The 100ms timer, 10ms timer and 100ms retentive timer are available for this count-up type timer

- With the device T, the contact/coil is handled as bit device, and the current value is handled as word device. In the function instructions described after, the word device T indicates the current value even if there is no description about it.
- Turning the power OFF clears this device (current value = 0).
- The timer number is expressed as a decimal.

(1) 10ms timer (T0 to T15, T104 to T143)

- (a) When the input conditions are set, the count starts. When the set value is counted, that timer contact will turn ON.
- (b) If the input conditions are turned OFF, the 10ms timer count value will be set to 0, and the contact will turn OFF.
- (c) The value is set with a decimal (Kn), and can be designated from 1 to 32767 ($\times 0.01[s]$). The data register (D) data can also be used as the setting value.



5 SEQUENCE INSTRUCTIONS FOR MOTION CPU

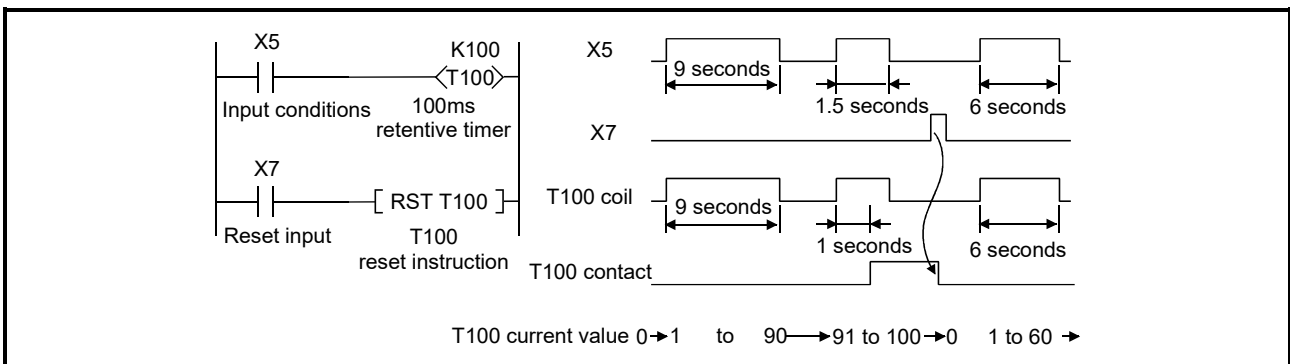
(2) 100ms timer (T16 to T95, T144 to T239)

- (a) When the input conditions are set, the count starts. When the set value is counted, that timer contact will turn ON.
- (b) If the input conditions are turned OFF, the 100ms timer count value will be set to 0, and the contact will turn OFF.
- (c) The value is set with a decimal (Kn), and can be designated from 1 to 32767 ($\times 0.1[s]$). The data register (D) data can also be used as the setting value.



(3) 100ms retentive timer (T96 to T103, T240 to T255)

- (a) When the input conditions are set, the count starts. When the set value is counted, that timer contact will turn ON.
- (b) Even the input conditions are turned OFF, the 100ms retentive timer current value (count value) will be held, and the contact state will not change.
- (c) The 100ms retentive timer count value will be set to 0 and the contact will turn OFF when the RST instruction is executed.
- (d) The value is set with a decimal (Kn), and can be designated from 1 to 32767 ($\times 0.1[s]$). The data register (D) data can also be used as the setting value.
- (e) Current value (counter value) of the 100ms retentive timer at power is 0.



5 SEQUENCE INSTRUCTIONS FOR MOTION CPU

5.1.5 Counter (C)

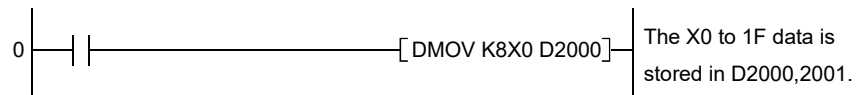
The counter counts up and detects the rising edge of the input conditions. Thus, the count will not take place when the input conditions are ON.

- (1) The value is set with a decimal, and can be designated from 1 to 32767. The data register (D) data can also be used as the setting value.
- (2) The counter count value will not be cleared even if the input conditions turn OFF. The counter count value must be cleared with the RST instruction.
- (3) With the device C, the contact • coil is handled as bit device, and the current value (counter value) is handled as word device. In the function instructions described after, the word device C indicates the current value (counter value) even if there is no description about it.
- (4) Turning the power OFF clears this device (current value = 0).
- (5) The counter number is expressed as a decimal.

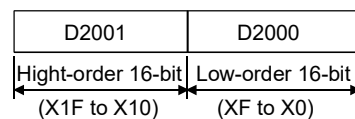
5.1.6 Data register (D)

The data register is the memory that stores the data in the Motion CPU. The data register has a 1-point 16-bit configuration, and can be read and written in 16-bit units.

- (1) To handle 32-bit data, two points must be used. The data register number designated with the 32-bit instruction will be the low-order 16-bit, and the designated data register number +1 will be the high-order 16-bit.
 - (a) The following is an example of the circuits using the DMOV instruction.



- (b) Data storage.



- (2) Turning the power OFF clears this device. (Latch setting can be applied with the system setting.)
 - (3) The data register number is expressed as a decimal.
 - (4) Part of D is used in the system of the Motion CPU for the positioning dedicated signal etc. The use of that is restricted.
Refer to the "Q173D(S)CPU/Q172D(S)CPU Motion controller (SV13/SV22) Programming Manual (REAL MODE)" or "Q173D(S)CPU/Q172D(S)CPU Motion controller (SV22) Programming Manual (VIRTUAL MODE)" for details.

5 SEQUENCE INSTRUCTIONS FOR MOTION CPU

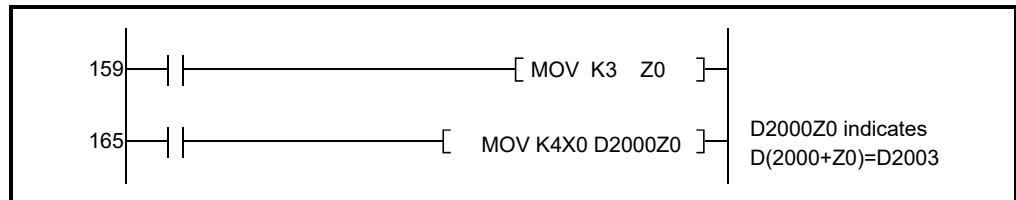
5.1.7 Link register (W)

Link register (W) can be used in the same way as data register (D).

- (1) Turning the power OFF clears this device. (Latch setting can be applied with the system setting.)
- (2) The link register number is expressed as a hexadecimal.

5.1.8 Index registers (Z)

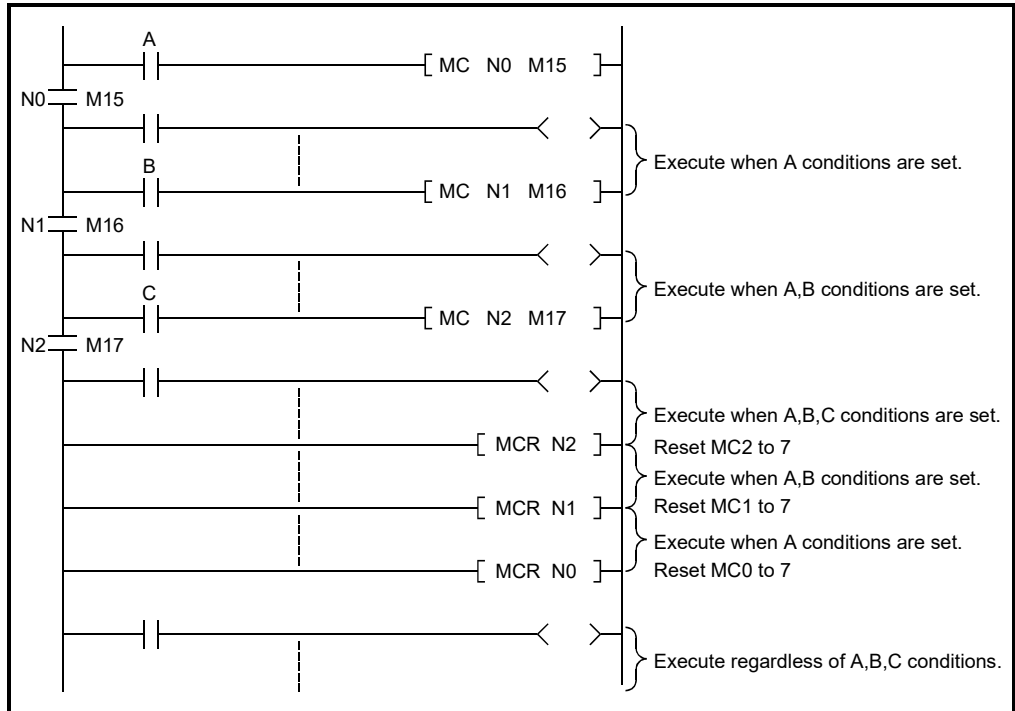
The index registers are used as ornaments for the device (T, C, D, W).
Refer to Section 5.2.4.



- (1) The index register has a 1-point 16-bit configuration, and can be read and written in 16-bit units.
- (2) The data stored in the index register is cleared when the power is turned OFF.
- (3) Values that can be stored.
 - Decimal -32768 to 32767
 - Hexadecimal 0000h to FFFFh (BIN16 bit signed data)

5.1.9 Nesting (N)

- (1) This indicates the master control nesting structure.
- (2) The master control nesting (N) is used in order from smallest number.

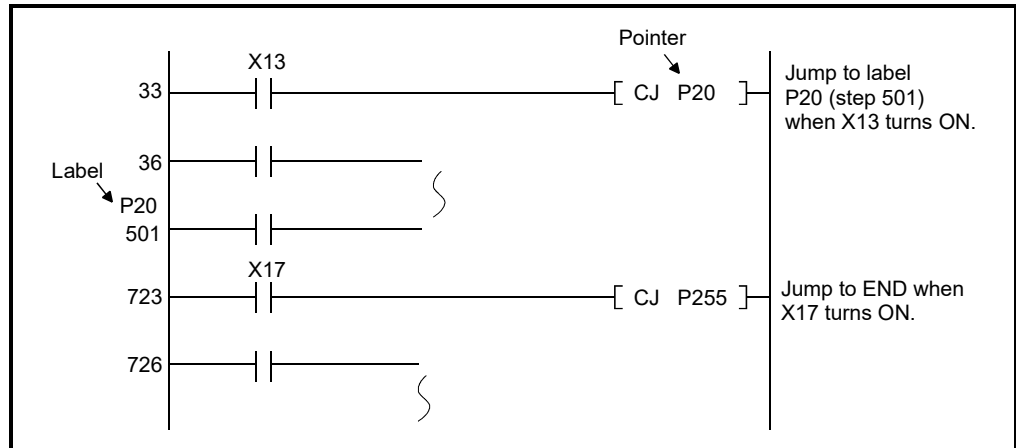


- (a) The conditions for each master control to turn ON are as follow.
 - MC N0 M15: ON when condition A is ON
 - MC N1 M16: ON when conditions A, B are ON
 - MC N2 M17: ON when conditions A, B, C are ON
- (b) The timer and counter when the master control is OFF is as follows.
 - 100ms timer, 10ms timer : The count value is set to 0.
 - 100ms integrated timer : The current count value is retained.
 - Counter : The current counter value is retained.
 - OUT instruction : All turn OFF.

5 SEQUENCE INSTRUCTIONS FOR MOTION CPU

5.1.10 Pointer (P)

The pointer indicates the branch instruction (CJ, CALL) jump destination.
The pointer number assigned at the jump destination head is called the label.



- (1) For pointer, P0 to P249 can be used without restriction.
- (2) P255 always indicates END. It can be used as a jump destination of a CJ instruction. It cannot be used as a jump destination of a single label or CALL instruction.
- (3) P252 and P370 to P378 are labels for start which indicate the head of the program. Do not use them as a device of CJ instruction or CALL instruction. Even for only a main program, do not omit P252. (refer to section 3.5.2)

5.1.11 Special register (SD)

As the same as special relay (SM), special register is a 16bit register which has predetermined applications in the system. Do not use special register for temporary memory.

- (1) Turning the power OFF initializes this device.
- (2) The special register number is expressed as a decimal.

5.1.12 Decimal constant (K)

The decimal constant can be used in the following ways.

- (1) Timer counter setting value: Designate in the range of 1 to 32767.
- (2) Bit device digit designation: 1 to 8
- (3) Basic instruction, function instruction, value setting
 - 16-bit instruction: -32768 to 32767
 - 32-bit instruction: -2147483648 to 2147483647

5.1.13 Hexadecimal constant (H)

The hexadecimal constant can be used in the following ways.

- (1) Basic instruction, function instruction, value setting
 - 16-bit instruction: 0000h to FFFFh
 - 32-bit instruction: 00000000h to FFFFFFFFh

5 SEQUENCE INSTRUCTIONS FOR MOTION CPU

5.2 Configuration of Instructions

The section describes configuration for sequence program instruction to be executed in the Motion CPU. For a list of available instructions, refer to Section 3.5.2.

5.2.1 How to read the instruction table

The basic instruction and function instruction explanations are shown below.
 Example of BIN 32-bit addition and subtraction instruction

Instructions overview

Section number → 5.4.4 BIN 32-bit addition and subtraction operations: D+, D-

Instruction code →

The instructions that can use an index (Z) are circled. The only instructions in this manual that use index (Z) are the MOV, DMOV instructions.

A circle is indicated if digit designation of the bit device is possible.

Setting data	Usable device															Digit designation	Index		
	Bit device							Word device					Constant	Pointer	Level				
	X	Y	M	SM	F	T	C	D	W	T	C	SD	Z	K	H			P	N
(S1)								○	○	○	○	○							
(S2)								○	○	○	○	○		○	○				
(D)								○	○	○	○	○							

○: Usable

(Note-1): Cannot specify the same device in (S1) and (D), or (S2) and (D).

The devices that can be used with the D+, D- instruction are circled.

[Instruction]

D+ Command ———— D+ (S1) (S2) (D)

D- Command ———— D- (S1) (S2) (D)

The D+,D- instruction circuit display format is indicated.

[Setting data]

Setting data	Description
(S1)	Number of the devices where the data to be added to/subtracted from is stored (BIN 32 bits)
(S2)	Data for adding/subtracting or number of the devices where the data for adding/subtracting is stored (BIN 32 bits)
(D)	Number of the devices where the addition/subtraction operation result will be stored (BIN 32 bits)

Indicates the data set for each instruction and the data type.

5 SEQUENCE INSTRUCTIONS FOR MOTION CPU

5.2.2 Number of steps

The basic number of steps in the sequence instruction includes step 1 to step 6.
Main examples of each step are shown below.

Basic No. of steps	Instruction (mnemonic)	Circuit display
Step 1	LD, ANI, ANB, ORB, FEND, RET, P**	
Step 2	INC, DEC, PLS, PLF, CJ, CALL	
Step 3	MOV, =, BCD, OUT T	
Step 4	DMOV, +, -, XCH	
Step 5	D+, D-	
Step 6	D*, D/	

The instruction code, source and destination in basic number of steps for the instruction are equivalent to one step each. Only some of the instruction codes and the 32-bit instruction constant K or H use two steps.

Note) Number of steps described above is the number of internal steps when executing the sequence program in Motion CPU. The number of steps that appear in GX Works2/GX Developer may be different

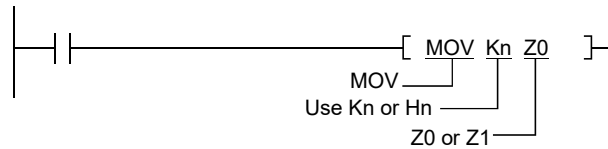
5 SEQUENCE INSTRUCTIONS FOR MOTION CPU

5.2.3 END instruction

With the END instruction, both the circuit mode and the list mode are automatically created, so programming is not necessary.

5.2.4 Index ornament

- (1) The index ornament is used to add an index (Z0, Z1) to a device, add the details of the directly designated device number and index register, and designate the device number.
- (2) The index (Z0, Z1) can be set between -32768 to 32767 with a sign added.
- (3) The index ornament is used only for the MOV instruction.
- (4) The usable instruction format is shown below.
 - (a) Transmission of data to Z0, Z1



- (b) Possible device combinations of MOV instruction with index ornament

	S (source)	D (destination)	Program example
MOV	Constant Kn or Hn Example) K100	Word device ^(Note-1) + Zn Example) D2000Z0	MOV K100 D2000Z0
	Word device ^(Note-1) Example) D2000	Word device ^(Note-1) + Zn Example) D2100Z1	MOV D2000 D2100Z1
	Word device ^(Note-1) + Zn Example) D2000Z0	Word device ^(Note-1) + Zn Example) D2001Z0	MOV D2000Z0 D2001Z0
	Word device ^(Note-1) + Zn Example) D2000Z0	Bit designation Example) K2Y20	MOV D2000Z0 K2Y20
	Bit designation Example) K2M0	Word device ^(Note-1) + Zn Example) D2000Z0	MOV K2M0 D2000Z0

(Note-1): The word device refers to T, C, D and W.

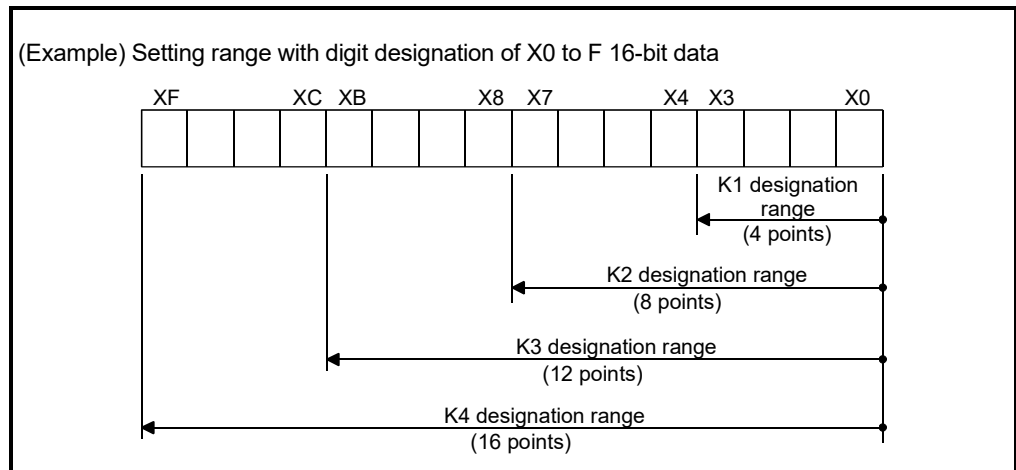
5 SEQUENCE INSTRUCTIONS FOR MOTION CPU

5.2.5 Digit designation

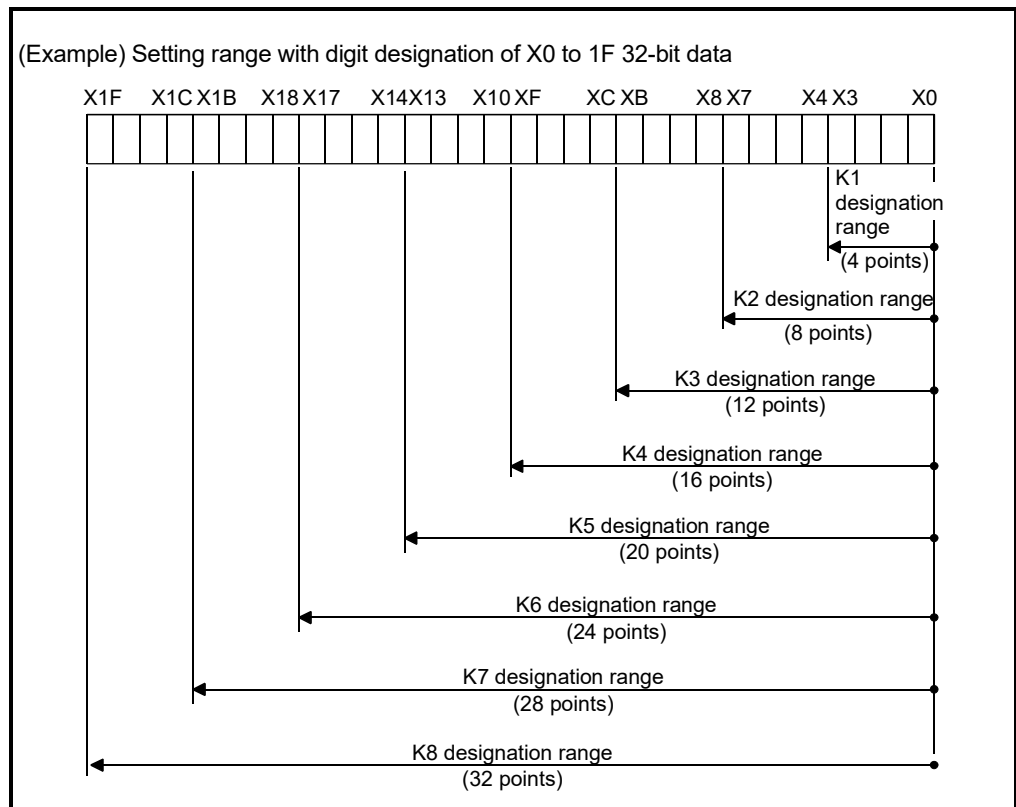
A digit may need to be designated for the bit device (X, Y, M, SM, F).

How many points of 4-point unit bit devices are to be used with the 16-bit or 32-bit instruction is selected with this digit designation. Use device K when designating the digit. The designation range is as shown below. A random bit device can be set for the bit device.

(1) 16-bit instruction: K1 to 4 (4 to 16 points)



(2) 32-bit instruction: K1 to 8 (4 to 32 points)



5 SEQUENCE INSTRUCTIONS FOR MOTION CPU

- (3) When a digit is designated on the source (S) side
 The values that can be handled as source data will be as shown below.

Table 5.1 Table of digit designations and values that can be handled

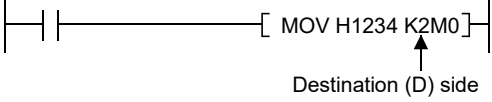
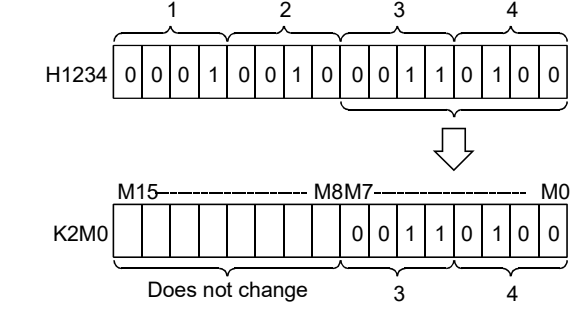
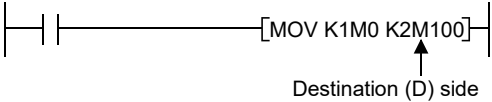
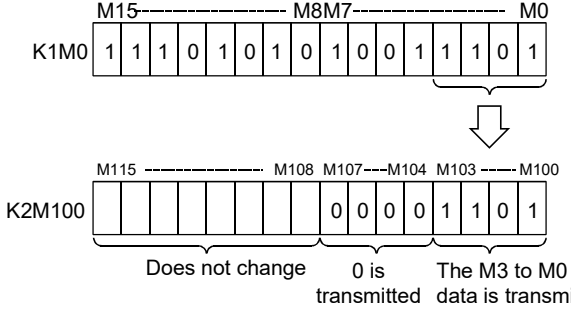
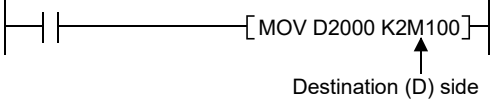
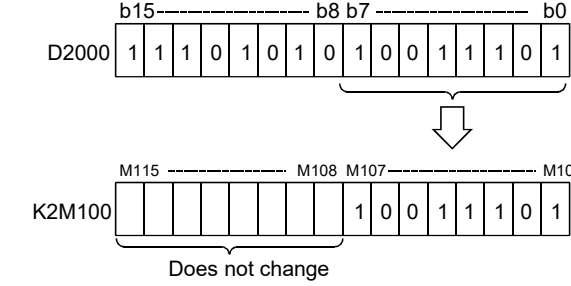
	For 16-bit instruction	For 32-bit instruction
K1 (4 points)	0 to 15	0 to 15
K2 (8 points)	0 to 255	0 to 255
K3 (12 points)	0 to 4095	0 to 4095
K4 (16 points)	-32768 to 32767	0 to 65535
K5 (20 points)	—	0 to 1048575
K6 (24 points)	—	0 to 167772165
K7 (28 points)	—	0 to 268435455
K8 (32 points)	—	-2147483648 to 2147483647

	Program example	Process
For 16-bit instruction		
For 32-bit instruction		

5 SEQUENCE INSTRUCTIONS FOR MOTION CPU

(4) When a digit is designated on the destination (D) side

Number of points designated by the digit will be the target of the destination side.

Source data (S)	Program example	Process
Value	 <p style="text-align: center;">Destination (D) side</p>	 <p style="text-align: center;">Does not change 3 4</p>
Bit device	 <p style="text-align: center;">Destination (D) side</p>	 <p style="text-align: center;">Does not change 0 is The M3 to M0 transmitted data is transmitted</p>
Word device	 <p style="text-align: center;">Destination (D) side</p>	 <p style="text-align: center;">Does not change</p>

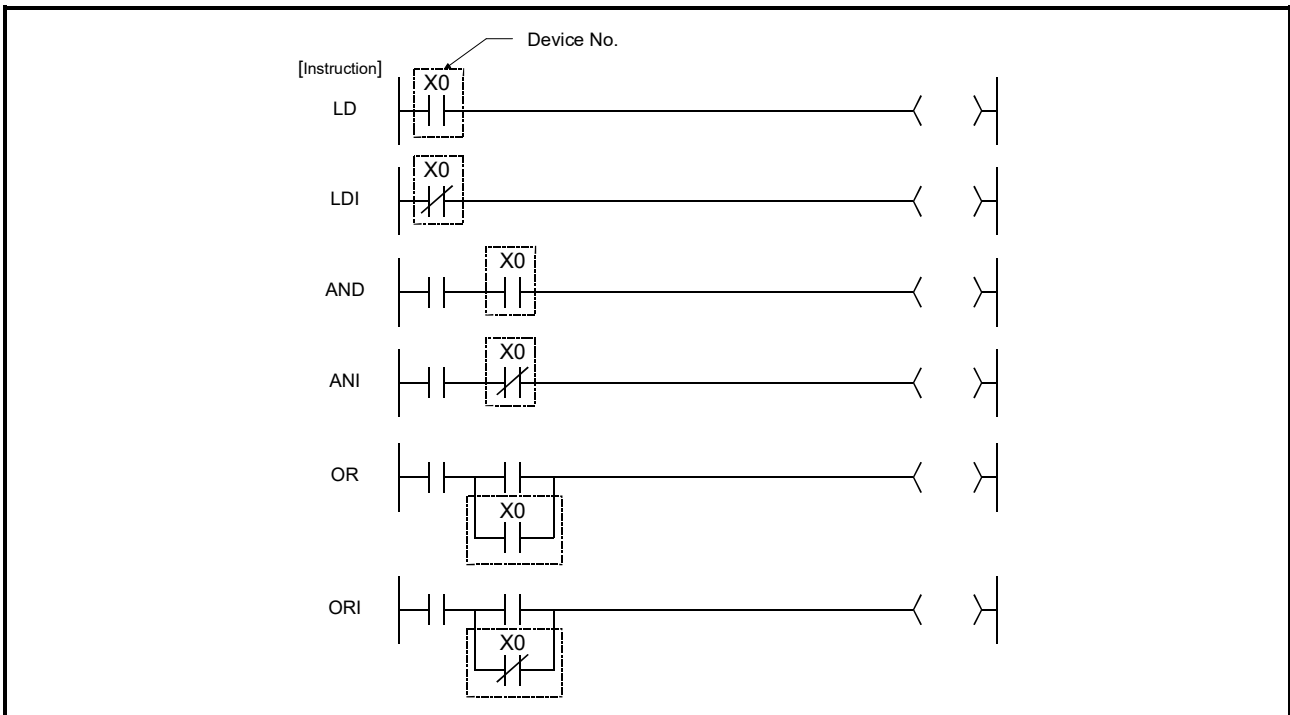
5 SEQUENCE INSTRUCTIONS FOR MOTION CPU

5.3 Basic Instructions

5.3.1 Operation start, series connection, parallel connection: LD, LDI, AND, ANI, OR, ORI

Setting data	Usable device																Digit designation	Index
	Bit device							Word device					Constant	Pointer	Level			
	X	Y	M	SM	F	T	C	D	W	T	C	SD	Z	K	H	P		
—	○	○	○	○	○	○	○											

○: Usable



[Function]

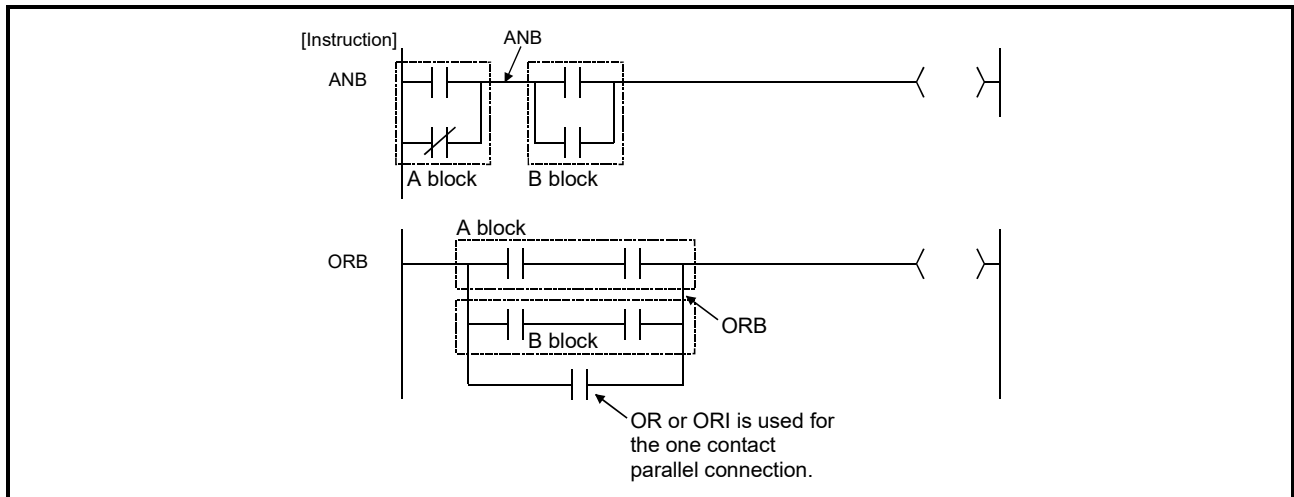
- (1) Operation start (LD, LDI)
 - LD is the A contact operation start instruction, and LDI is the B contact operation start instruction. They read ON/OFF information from the designated device, and use that as an operation result.
- (2) Series connection (AND, ANI)
 - AND is the A contact series connection instruction, and ANI is the B contact series connection instruction. They read the ON/OFF data of the designated bit device, perform an AND operation on that data and the operation result to that point, and take this value as the operation result. (AND and ANI can be series connection up to 240.)
- (3) Parallel connection (OR, ORI)
 - OR is the A contact single parallel connection instruction, and ORI is the B contact single parallel connection instruction. They read ON/OFF information from the designated device, and perform an OR operation with the operation results to that point, and use the resulting value as the operation result. (OR and ORI can be parallel connection up to 23.)

5 SEQUENCE INSTRUCTIONS FOR MOTION CPU

5.3.2 Ladder block series connection and parallel connection: ANB, ORB

Setting data	Usable device																Digit designation	Index	
	Bit device								Word device						Constant	Pointer			Level
	X	Y	M	SM	F	T	C	D	W	T	C	SD	Z	K	H	P			N
—	○	○	○	○	○	○	○												

○: Usable



[Function]

(1) Ladder block series connection (ANB)

- Performs an AND operation on block A and block B, and takes the resulting value as the operation result.
- The symbol for ANB is not the contact symbol, but rather is the connection symbol.
- Up to 7 ANB instructions (8 blocks) can be written consecutively. If consecutive instructions are 8 or higher, The Motion CPU will not be capable of performing correct operations.

(2) Ladder block parallel connection (ORB)

- Conducts an OR operation on Block A and Block B, and takes the resulting value as the operation result.
- ORB is used to perform parallel connections for ladder blocks with two or more contacts. For ladder blocks with only one contact, use OR or ORI; there is no need for ORB in such cases.
- The ORB symbol is not the contact symbol, but rather is the connection symbol.
- Up to 7 ORB instructions (8 blocks) can be written consecutively. If consecutive instructions are 8 or higher, The Motion CPU will not be capable of performing correct operations.

5 SEQUENCE INSTRUCTIONS FOR MOTION CPU

5.3.3 Out instruction: OUT (excluding timers, counters)

Setting data	Usable device																Digit designation	Index
	Bit device						Word device						Constant	Pointer	Level			
	X	Y	M	SM	F	T	C	D	W	T	C	SD	Z	K	H	P		
—		○	○	○	○													

○: Usable



[Function]

- (1) Operation results up to the OUT instruction are output to the designated device.

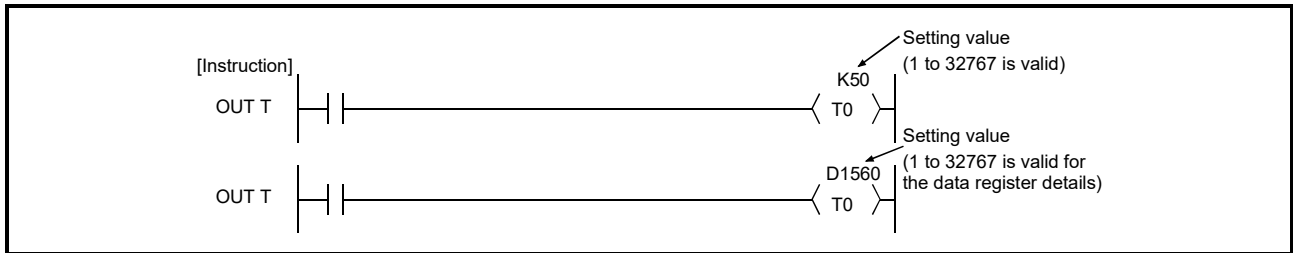
Operation Results	OUT instruction		
	Coil	Contact	
		A Contact	B Contact
OFF	OFF	Non-continuity	Continuity
ON	ON	Continuity	Non-continuity

5 SEQUENCE INSTRUCTIONS FOR MOTION CPU

5.3.4 Timers: OUT T

Setting data	Usable device																Digit designation	Index
	Bit device							Word device						Constant	Pointer	Level		
	X	Y	M	SM	F	T	C	D	W	T	C	SD	Z	K	H	P		
Device						○												
Setting Value							○	○						○				

○: Usable



[Function]

- (1) When the operation results up to the OUT instruction are ON, the timer coil goes ON and the timer counts up to the value that has been set; when the time up status (total numeric value is equal to or greater than the setting value), the contact responds as follows:

A Contact	Continuity
B Contact	Non-continuity

- (2) The contact responds as follows when the operation result up to the OUT instruction is a change from ON to OFF:

Type of Timer	Timer Coil	Present Value of Timer	Prior to Time Up		After Time Up	
			A Contact	B Contact	A Contact	B Contact
100ms timer	OFF	0	Non-continuity	Continuity	Continuity	Non-continuity
10ms timer					Continuity	Non-continuity
100ms retentive Timer	OFF	Maintains the present value	Non-continuity	Continuity	Continuity	Non-continuity

- (3) To clear the present value of a retentive timer and turn the contact OFF after time up, use the RST instruction.
- (4) A negative number (-32768 to -1) cannot be set as the setting value for the timer. If the setting value is 0, the timer will time out when the time the OUT instruction is executed.

- (5) The following processing is conducted when the OUT instruction is executed:
- OUT T coil turned ON or OFF
 - OUT T contact turned ON or OFF
 - OUT T present value updated

In cases where a JMP instruction or the like is used to jump to an OUT T instruction while the OUT T instruction is ON, no present value update or contact ON/OFF operation is conducted. Also, if the same OUT T instruction is conducted two or more times during the same scan, the current value is may be changed in the same scan.

5 SEQUENCE INSTRUCTIONS FOR MOTION CPU

5.3.5 Counter: OUT C

Setting data	Usable device																Digit designation	Index	
	Bit device							Word device					Constant	Pointer	Level				
	X	Y	M	SM	F	T	C	D	W	T	C	SD	Z	K	H	P			N
Device							○												
Setting Value								○	○					○					

○: Usable



[Function]

- (1) When the operation results up to the OUT instruction change from OFF to ON, 1 is added to the present value (count value) and the count up status (present value \geq set value), and the contacts respond as follows:

A Contact	Continuity
B Contact	Non-continuity

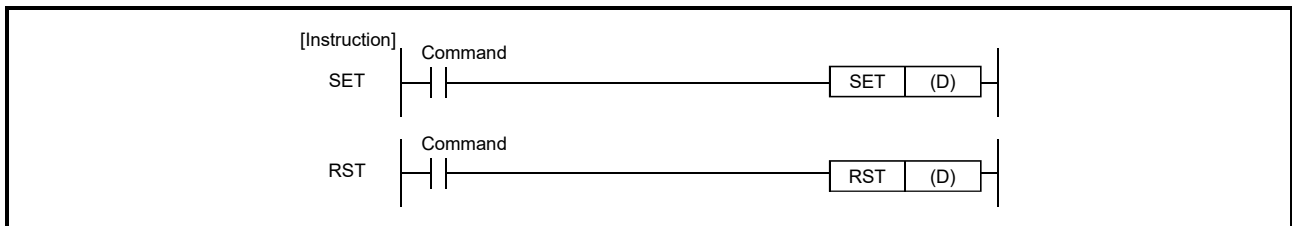
- (2) No count is conducted with the operation results at ON. (There is no need to perform pulse conversion on count input.)
- (3) If the operation results change from OFF to ON after the count up status (present value \geq set value), the contact will remain unchanged and the current value will be increment.
(-32768 \rightarrow \rightarrow 0 \rightarrow 1 \rightarrow \rightarrow 32767 \rightarrow -32768)
- (4) A negative number (-32768 to -1) cannot be set as the setting value for the timer. If the set value is 0, the processing is identical to that which takes place for 1.

5 SEQUENCE INSTRUCTIONS FOR MOTION CPU

5.3.6 Setting and resetting devices: SET, RST

Setting data	Usable device																Digit designation	Index
	Bit device							Word device						Constant	Pointer	Level		
	X	Y	M	SM	F	T	C	D	W	T	C	SD	Z	K	H	P		
(D)		○	○	○		△ (Note-1)	△ (Note-1)											

○: Usable △:Usable partly
(Note-1): Only RST instruction



[Setting data]

Setting data	Description
(D)	Device number to be set or reset

[Function]

(1) Setting devices (SET)

- The designated device turns ON when the execution command turns ON.
- Devices turned ON by the instruction remain ON when the same command is turned OFF.
Devices turned ON by the SET instruction can be turned OFF by the RST instruction.
- When the execution command is OFF, the status of devices does not change.

(2) Resetting devices (RST)

- When the execution command is turned ON, the status of the designated devices becomes as shown below:

Device	Status
Bit device	Turns coils and contacts OFF
Timers and counters	Sets the present value to 0, and turns coils and contacts OFF

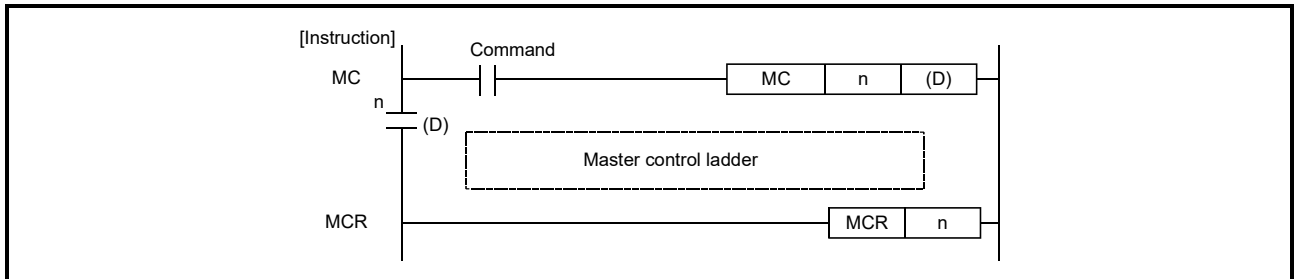
- When the execution command is OFF, the status of devices does not change.

5 SEQUENCE INSTRUCTIONS FOR MOTION CPU

5.3.7 Setting and resetting the master control: MC, MCR

Setting data	Usable device																Digit designation	Index	
	Bit device						Word device						Constant	Pointer	Level				
	X	Y	M	SM	F	T	C	D	W	T	C	SD	Z	K	H	P			N
(n)																	○		
(D)		○	○	○	○														

○: Usable



[Setting data]

Setting data	Description
n	Nesting (N0 to N7)
(D)	Device number to be turned ON

[Function]

(1) Setting the master control (MC)

- If the execution command of the MC instruction is ON when master control is started, the result of the operation from the MC instruction to the MCR instruction will be exactly as the instruction (ladder) shows.
- If the execution command of the MC instruction is OFF, the result of the operation from the MC instruction to the MCR instruction will be as shown below:

Device	Device status
100ms timer, 10ms timer	Count value goes to 0, coils and contacts all go OFF.
100ms retentive timer, Counter	Coils go OFF, but counter values and contacts all maintain current status.
Devices in OUT instruction	All turned OFF
SET/RST, SFT devices in the following instructions	Maintain current status

- Nesting can be used up to 8 times (N0 to N7).
When using nesting, nests should be inserted from the lower to higher nesting number (N) with the MC instruction, and from the higher to the lower order with the MCR instruction.

- By changing the device designated by (D), the MC instruction can use the same nesting (N) number as often as desired.
- Coils from devices designated by (D) are turned ON when the MC instruction is ON.

Further, using these same devices with the OUT instruction or other instructions will cause them to become double coils, so devices designated by (D) should not be used within other instructions.

(2) Resetting the master control (MCR)

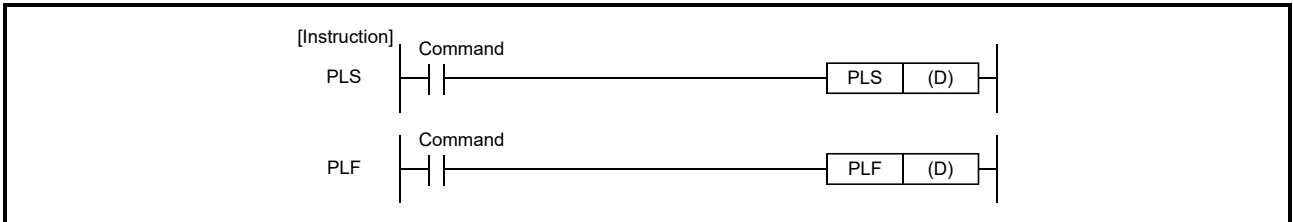
- This is the instruction for recovery from the master control, and indicates the end of the master control range of operation.
- Do not place contact instructions before the MCR instruction.

5 SEQUENCE INSTRUCTIONS FOR MOTION CPU

5.3.8 Leading edge and trailing edge outputs: PLS, PLF

Setting data	Usable device																	Digit designation	Index
	Bit device							Word device						Constant		Pointer	Level		
	X	Y	M	SM	F	T	C	D	W	T	C	SD	Z	K	H	P	N		
(D)		○	○	○	○														

○: Usable



[Setting data]

Setting data	Description
(D)	Pulse conversion device (bits)

[Function]

(1) Leading edge output (PLS)

- Turns ON the designated device when the execution command is turned OFF→ON, and turns OFF the device in any other case the execution command is turned OFF→ON (i.e., at ON→ON, ON→OFF or OFF→OFF of the execution command).
- If the RUN/STOP key switch is changed from RUN to STOP after the execution of the PLS instruction, the PLS instruction will not be executed again even if the switch is set back to RUN.
- When designating a latch device for the execution command and turning the power supply OFF to ON with the latch device ON, the execution command turns OFF to ON at the first scan, executing the PLS instruction and turning ON the designated device.
The device turned ON at the first scan after power-ON turns OFF at the next PLS instruction.

(2) Trailing edge output (PLF)

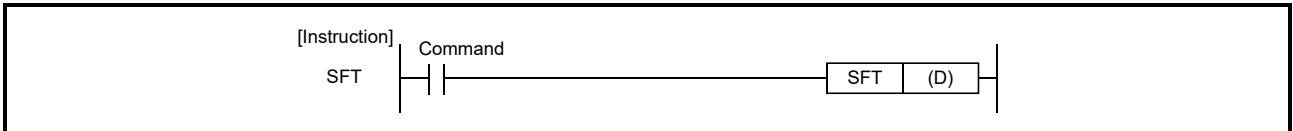
- Turns ON the designated device when the execution command is turned ON→OFF, and turns OFF the device in any other case the execution command is turned ON→OFF (i.e., at OFF→OFF, OFF→ON or ON→ON of the execution command).
- If the RUN/STOP key switch is changed from RUN to STOP after the execution of the PLF instruction, the PLF instruction will not be executed again even if the switch is set back to RUN.

5 SEQUENCE INSTRUCTIONS FOR MOTION CPU

5.3.9 Bit device shifts: SFT

Setting data	Usable device																	Digit designation	Index
	Bit device							Word device					Constant	Pointer	Level				
	X	Y	M	SM	F	T	C	D	W	T	C	SD	Z	K	H	P	N		
(D)		○	○	○	○														

○: Usable



[Setting data]

Setting data	Description
(D)	Device number to shift (bits)

[Function]

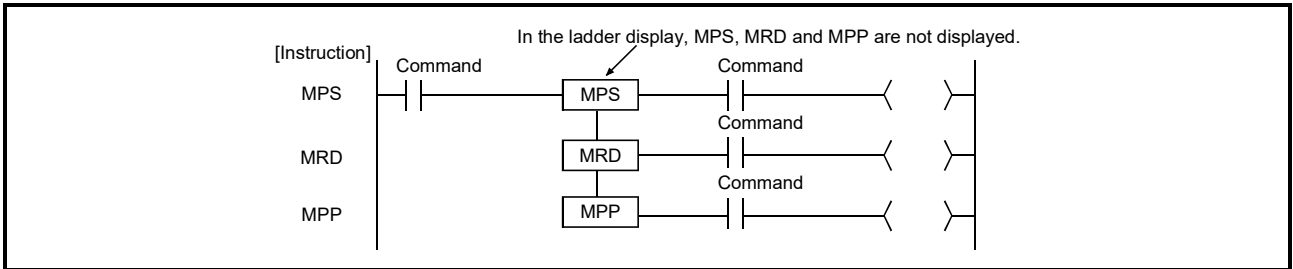
- (1) Shifts to a device designated by (D) the ON/OFF status of the device immediately prior to the one designated by (D), and turns the prior device OFF.
- (2) Turn the first device to be shifted ON with the SET instruction.
- (3) When the SFT are to be used consecutively, the program starts from the device with the larger number.
- (4) If the device number specified by (D) is 0, the instruction is not processed.

5 SEQUENCE INSTRUCTIONS FOR MOTION CPU

5.3.10 Operation results push, read, pop: MPS, MRD, MPP

Setting data	Usable device																	Digit designation	Index
	Bit device							Word device						Constant		Pointer	Level		
	X	Y	M	SM	F	T	C	D	W	T	C	SD	Z	K	H	P	N		
—																			

○: Usable



[Function]

(1) Operation result push (MPS)

- Stores the memory of the operation result (ON or OFF) immediately prior to the MPS instruction.
- Up to 4 MPS instructions can be used successively.
If the MPP instruction is used during this process, the number of uses calculated for the MPS instruction will be decremented by one.

(2) Operation result read (MRD)

- Reads the operation result stored for the MPS instruction, and uses that result to perform the operation in the next step.

(3) Operation result pop (MPP)

- Reads the operation result stored for the MPS instruction, and uses that result to perform the operation in the next step.
- Clears the operation results stored by the MPS instruction.
- Subtracts 1 from the number of MPS instruction times of use.

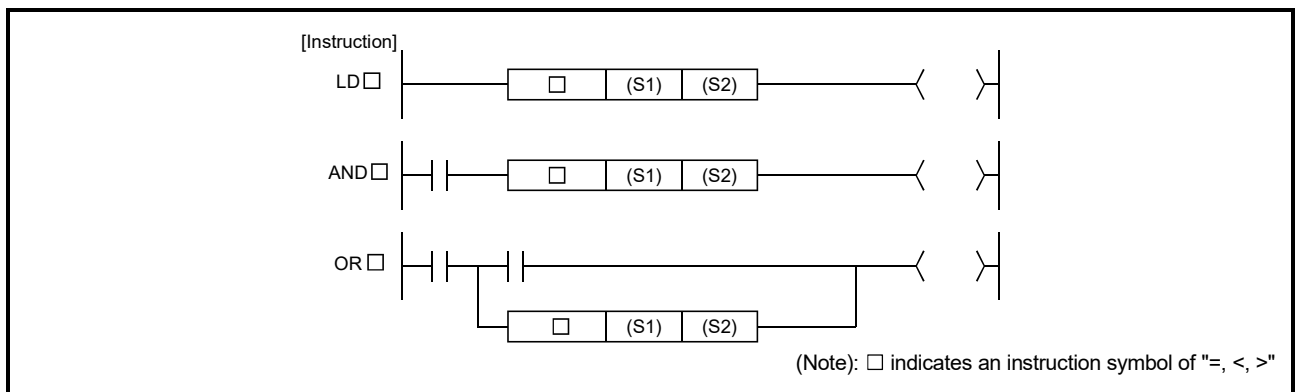
5 SEQUENCE INSTRUCTIONS FOR MOTION CPU

5.4 Function Instructions

5.4.1 16-bit data comparisons: =, <, >

Setting data	Usable device																	Digit designation	Index	
	Bit device							Word device							Constant		Pointer			Level
	X	Y	M	SM	F	T	C	D	W	T	C	SD	Z	K	H	P	N			
(S1)	○	○	○	○	○			○	○	○	○	○		○	○			○		
(S2)	○	○	○	○	○			○	○	○	○	○		○	○			○		

○: Usable



[Setting data]

Setting data	Description
(S1)	Data for comparison or head number of the devices where the data for comparison is stored (BIN 16 bits)
(S2)	

[Function]

- (1) Treats BIN 16-bit data from device designated by (S1) and BIN 16-bit data from device designated by (S2) as an a normally-open contact, and performs comparison operation.
- (2) The results of the comparison operations for the individual instructions are as follows:

Instruction symbol	Condition	Comparison operation result	Instruction symbol	Condition	Comparison operation result
=	(S1) = (S2)	Continuity	=	(S1) ≠ (S2)	Non-continuity
<	(S1) < (S2)		<	(S1) ≥ (S2)	
>	(S1) > (S2)		>	(S1) ≤ (S2)	

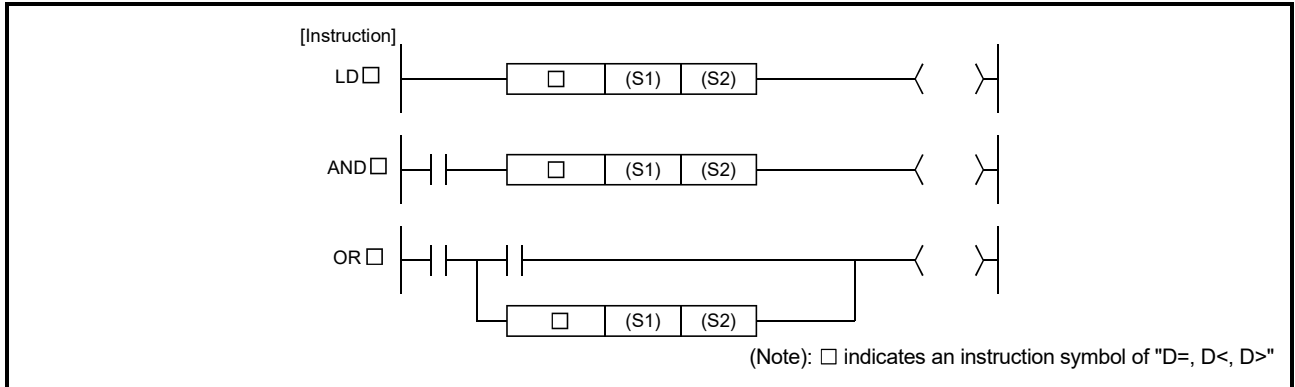
- (3) When and (S1) are (S2) assigned by a hexadecimal constant and the numerical value (8 to F) whose most significant bit (b15) is "1" is designated as a constant, the value is considered as a negative BIN value in comparison operation.

5 SEQUENCE INSTRUCTIONS FOR MOTION CPU

5.4.2 32-bit data comparisons: D=, D<, D>

Setting data	Usable device																	Digit designation	Index
	Bit device							Word device					Constant		Pointer	Level			
	X	Y	M	SM	F	T	C	D	W	T	C	SD	Z	K	H	P	N		
(S1)	○	○	○	○	○			○	○	○	○	○		○	○			○	
(S2)	○	○	○	○	○			○	○	○	○	○		○	○			○	

○: Usable



[Setting data]

Setting data	Description
(S1)	Data for comparison or head number of the devices where the data for comparison is stored (BIN 32 bits)
(S2)	

[Function]

- (1) Treats BIN 32-bit data from device designated by (S1) and BIN 32-bit data from device designated by (S2) as a normally-open contact, and performs comparison operation.
- (2) The results of the comparison operations for the individual instructions are as follows:

Instruction symbol	Condition	Comparison operation result	Instruction symbol	Condition	Comparison operation result
D=	(S1) = (S2)	Continuity	D=	(S1) ≠ (S2)	Non-continuity
D<	(S1) < (S2)		D<	(S1) ≥ (S2)	
D>	(S1) > (S2)		D>	(S1) ≤ (S2)	

- (3) When (S1) and (S2) are assigned by a hexadecimal constant and the numerical value (8 to F) whose most significant bit (b31) is "1" is designated as a constant, the value is considered as a negative BIN value in comparison operation.
- (4) Data used for comparison should be designated by a 32-bit instruction (DMOV instruction, etc.). If designation is made with a 16-bit instruction (MOV instruction, etc.), comparisons of large and small values cannot be performed correctly

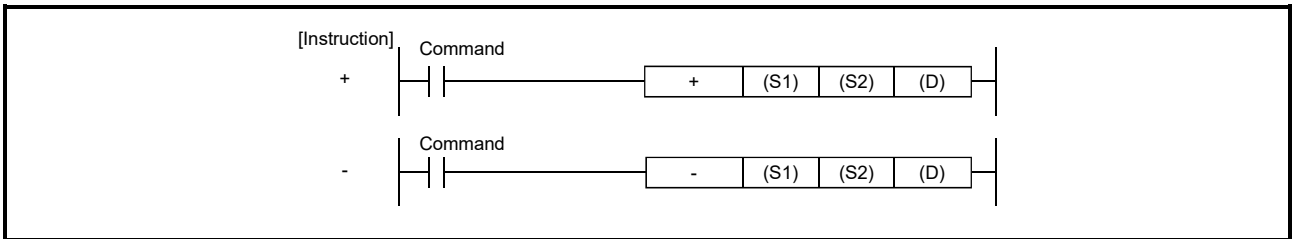
5 SEQUENCE INSTRUCTIONS FOR MOTION CPU

5.4.3 BIN 16-bit addition and subtraction operations: +, -

Setting data (Note-1)	Usable device																Digit designation	Index					
	Bit device							Word device					Constant		Pointer	Level							
	X	Y	M	SM	F	T	C	D	W	T	C	SD	Z	K	H	P			N				
(S1)								<input type="radio"/>	<input type="radio"/>	<input type="radio"/>	<input type="radio"/>	<input type="radio"/>											
(S2)								<input type="radio"/>	<input type="radio"/>	<input type="radio"/>	<input type="radio"/>	<input type="radio"/>		<input type="radio"/>	<input type="radio"/>								
(D)								<input type="radio"/>	<input type="radio"/>	<input type="radio"/>	<input type="radio"/>	<input type="radio"/>											

○: Usable

(Note-1): Cannot specify the same device in (S1) and (D), or (S2) and (D).



[Setting data]

Setting data	Description
(S1)	Number of the devices where the data to be added to/subtracted from is stored (BIN 16 bits)
(S2)	Data for adding/subtracting or number of the devices where the data for adding/subtracting is stored (BIN 16 bits)
(D)	Number of the devices where the addition/subtraction operation result will be stored (BIN 16 bits)

[Function]

(1) BIN 16-bit addition operation (+)

- Adds 16-bit BIN data designated by (S1) to 16-bit BIN data designated by (S2) and stores the result of the addition at the device designated by (D).
- Values for (S1), (S2) (D) and can be designated between (D) -32768 and 32767 (BIN, 16 bits).
- The judgment of whether data is positive or negative is made by the most significant bit (b15).
0: Positive
1: Negative
- The following will happen when an underflow or overflow is generated in an operation result: The carry flag in this case does not go ON.

$$\begin{array}{r} K32767 \\ (7FFFH) \end{array} + K2 \quad \rightarrow \quad \begin{array}{r} K-32767 \\ (8001H) \end{array} \dots\dots \text{Since bit 15 value is "1",} \\ \text{result of operation takes a negative value.}$$

$$\begin{array}{r} K-32768 \\ (8000H) \end{array} + K-2 \quad \rightarrow \quad \begin{array}{r} K32766 \\ (7FFE H) \end{array} \dots\dots \text{Since bit 15 value is "0",} \\ \text{result of operation takes a positive value.}$$

(2) BIN 16-bit subtraction operation (-)

- Subtracts 16-bit BIN data designated by (S1) from 16-bit BIN data designated by (S2) and stores the result of the subtraction at the device designated by (D).
- Values for (S1), (S2) and (D) can be designated between -32768 and 32767 (BIN, 16 bits).
- The judgment of whether data is positive or negative is made by the most significant bit (b15).
0: Positive
1: Negative
- The following will happen when an underflow or overflow is generated in an operation result: The carry flag in this case does not go ON.
K-32768 - K2 → K32766 Since bit 15 value is "0",
(8000H) (0002H) (7FFE H) result of operation takes a positive value.
K32767 - K-2 → K-32767 Since bit 15 value is "1",
(7FFFH) (FFFE H) (8001H) result of operation takes a negative value.

[Error]

When the same device is specified in (S1) and (d) or (S2) and (d), a sequence program error occurs, the safety observation errors (SM57) are turned ON and error code (SD32): 10, detail code (SD33): 2700H are stored.

(2) BIN 32-bit subtraction operation (D-)

- Subtracts 32-bit BIN data designated by (S1) from 32-bit BIN data designated by (S2) and stores the result of the subtraction at the device designated by (D).
- Values for (S1), (S2) and (D) can be designated between -2147483648 and 2147483647 (BIN 32 bits).
- The judgment of whether data is positive or negative is made by the most significant bit (b31).

0: Positive

1: Negative

- The following will happen when an underflow or overflow is generated in an operation result: The carry flag in this case does not go ON.

K-2147483648 - K2 → K2147483646 Since bit 31 value is "0",
 (80000000H) (00000002H) (7FFFFFFEH) result of operation takes a
 positive value.

K2147483647 - K-2 → K-2147483647 Since bit 31 value is "1",
 (80000000H) (FFFFFFEH) (80000001H) result of operation takes a
 negative value.

[Error]

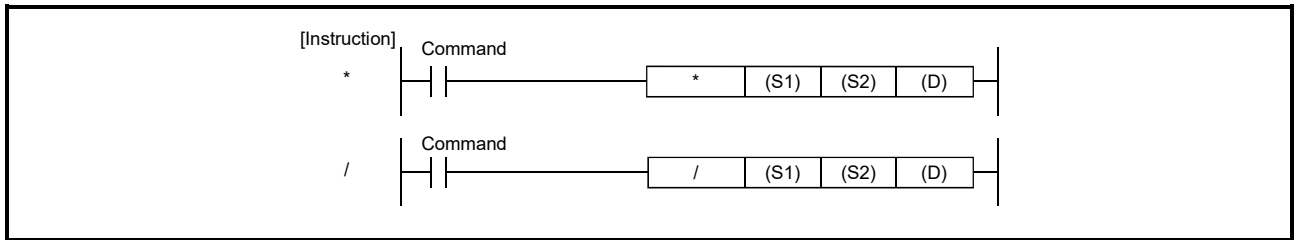
When the same device is specified in (S1) and (d) or (S2) and (d), a sequence program error occurs, the safety observation errors (SM57) are turned ON and error code (SD32): 10, detail code (SD33): 2700H are stored.

5 SEQUENCE INSTRUCTIONS FOR MOTION CPU

5.4.5 BIN 16-bit multiplication and division operations: *, /

Setting data	Usable device																Digit designation	Index			
	Bit device							Word device					Constant		Pointer	Level					
	X	Y	M	SM	F	T	C	D	W	T	C	SD	Z	K	H	P			N		
(S1)								<input type="radio"/>	<input type="radio"/>	<input type="radio"/>	<input type="radio"/>	<input type="radio"/>									
(S2)								<input type="radio"/>	<input type="radio"/>	<input type="radio"/>	<input type="radio"/>	<input type="radio"/>		<input type="radio"/>	<input type="radio"/>						
(D)								<input type="radio"/>	<input type="radio"/>	<input type="radio"/>	<input type="radio"/>	<input type="radio"/>									

○: Usable



[Setting data]

Setting data	Description
(S1)	Number of the devices where the data to be multiplied/divided is stored (BIN 16 bits)
(S2)	Data for multiplying/dividing or head number of the devices where the data for multiplying/dividing is stored (BIN 16 bits)
(D)	Head number of the devices where the multiplication/division operation result will be stored (BIN 32 bits)

[Function]

(1) BIN 16-bit multiplication operation (*)

- Multiplies BIN 16-bit data designated by (S1) and BIN 16-bit data designated by (S2), and stores the result in the device designated by (D), (D)+1 (As BIN 32 bits).
- Values for (S1), (S2) can be designated between -32768 and 32767 (BIN, 16 bits).
- Judgments whether (S1), (S2), and (D) are positive or negative are made on the basis of the most significant bit (b15 for (S1), and (S2), for (D) and b31).
0: Positive
1: Negative

(2) BIN 16-bit division operation (/)

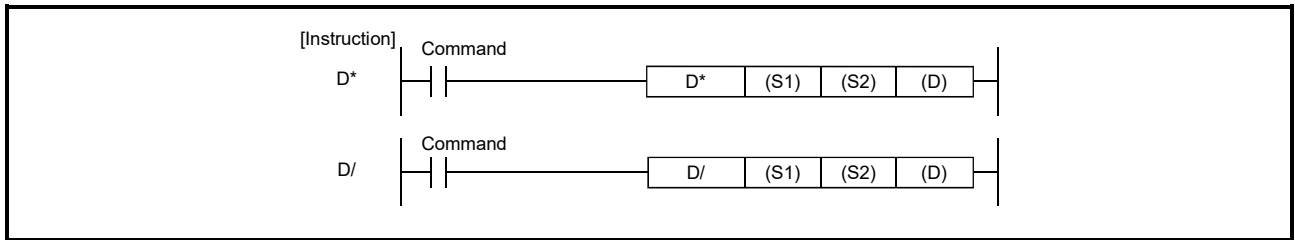
- Divides BIN 16-bit data designated by (S1) and BIN 16-bit data designated by (S2), and stores the result in the device designated by (D), (D) +1.
- Result of the division operation is stored as 32 bits, and both the quotient and remainder are stored;
Quotient.....Stored at the (D) lower 16 bits
RemainderStored at the ((D)+ 1) upper 16 bits
- Values for (S1) and (S2) can be designated between -32768 and 32767 (BIN 16 bits).
- Judgment whether values for (S1), (S2), (D) and (D)+1 are positive or negative is made on the basis of the most significant bit (b15).
(Sign is attached to both the quotient and remainder.)
0: Positive
1: Negative

5 SEQUENCE INSTRUCTIONS FOR MOTION CPU

5.4.6 BIN 32-bit multiplication and division operations: D*, D/

Setting data	Usable device																Digit designation	Index	
	Bit device							Word device						Constant		Pointer			Level
	X	Y	M	SM	F	T	C	D	W	T	C	SD	Z	K	H	P			N
(S1)								<input type="radio"/>	<input type="radio"/>	<input type="radio"/>	<input type="radio"/>	<input type="radio"/>							
(S2)								<input type="radio"/>	<input type="radio"/>	<input type="radio"/>	<input type="radio"/>	<input type="radio"/>		<input type="radio"/>	<input type="radio"/>				
(D)								<input type="radio"/>	<input type="radio"/>	<input type="radio"/>	<input type="radio"/>	<input type="radio"/>							

○: Usable



[Setting data]

Setting data	Description
(S1)	Head number of the devices where the data to be multiplied/divided is stored (BIN 32 bits)
(S2)	Data for multiplying/dividing or head number of the devices where the data for multiplying/dividing is stored (BIN 32 bits)
(D)	Head number of the devices where the multiplication/division operation result will be stored (BIN 64 bits)

[Function]

(1) BIN 32-bit multiplication operation (D*)

- Multiplies BIN 32-bit data designated by (S1) and BIN 32-bit data designated by (S2), and stores the result in the device designated by (D), (D)+1, (D)+2, (D)+3 (As BIN 64 bits).
- Values for (S1), (S2) can be designated between -2147483648 and 2147483647 (BIN 32 bits).
- Judgments whether (S1), (S2), and (D) are positive or negative are made on the basis of the most significant bit (b31 for (S1) and (S2), b63 for (D)).
0: Positive
1: Negative

(2) BIN 32-bit division operation (D/)

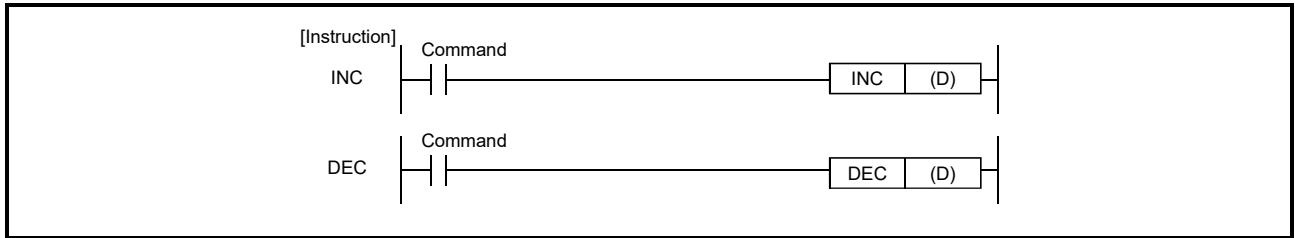
- Divides BIN 32-bit data designated by (S1) and BIN 32-bit data designated by (S2), and stores the result in the device designated by (D), (D)+1, (D)+2, (D)+3.
- The division operation result is stored in 64 bits and both the quotient and remainder are stored.
Quotient.....Stored at the lower 32 bits ((D), (D)+1).
RemainderStored at the upper 32 bits ((D)+2, (D)+3).
- Values for and can be designated at between 2147483648 and 2147483647 (BIN 32 bits).
- Judgment whether values for (S1), (S2), (D) and (D)+2 are positive or negative is made on the basis of the most significant bit (b31).
(Sign is attached to both the quotient and remainder.)
0: Positive
1: Negative

5 SEQUENCE INSTRUCTIONS FOR MOTION CPU

5.4.7 Incrementing and decrementing 16-bit BIN data: INC, DEC

Setting data	Usable device																Digit designation	Index	
	Bit device							Word device					Constant		Pointer	Level			
	X	Y	M	SM	F	T	C	D	W	T	C	SD	Z	K	H	P			N
(D)								○	○	○	○								

○: Usable



[Setting data]

Setting data	Description
(D)	Number of devices for INC (+1)/DEC (-1) operation (BIN 16 bits)

[Function]

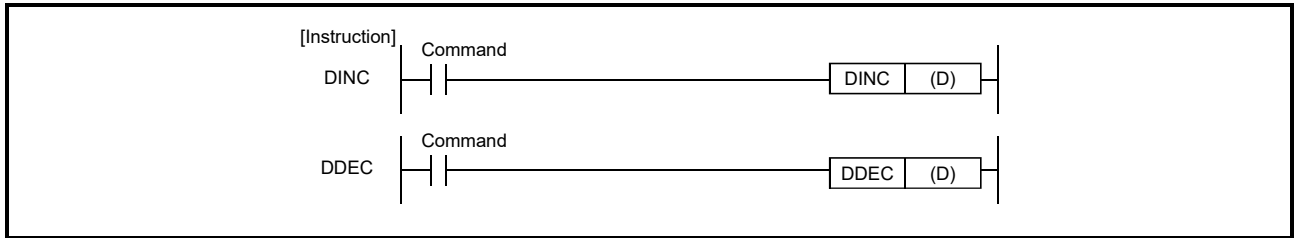
- (1) Incrementing 16-bit BIN data (INC)
 - Adds 1 to the device designated by (D) (16-bit data).
 - When INC operation is executed for the device designated by (D), whose content is 32767, the value -32768 is stored at the device designated by (D).
- (2) Decrementing 16-bit BIN data (DEC)
 - Subtracts 1 from the device designated by (16-bit data).
 - When DEC operation is executed for the device designated by (D), whose content is -32768, the value 32767 is stored at the device designated by (D).

5 SEQUENCE INSTRUCTIONS FOR MOTION CPU

5.4.8 Incrementing and decrementing 32-bit BIN data: DINC, DDEC

Setting data	Usable device																Digit designation	Index	
	Bit device							Word device						Constant		Pointer			Level
	X	Y	M	SM	F	T	C	D	W	T	C	SD	Z	K	H	P			N
(D)								○	○	○	○								

○: Usable



[Setting data]

Setting data	Description
(D)	Head number of devices for DINC(+1) or DDEC(-1) operation (BIN 32 bits)

[Function]

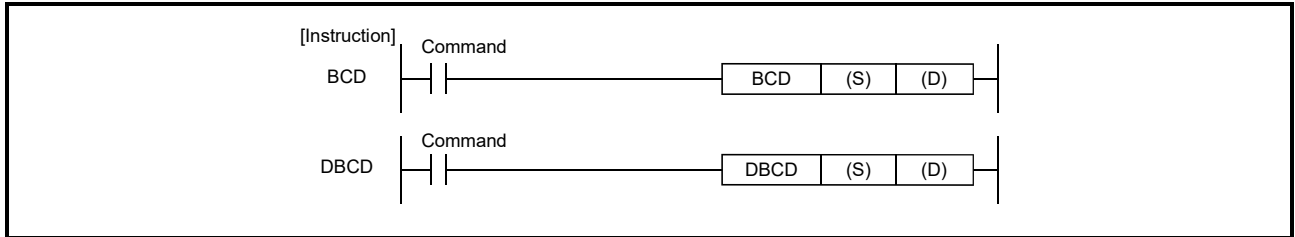
- (1) Incrementing 32-bit BIN data (DINC)
 - Adds 1 to the device designated by (D) (32-bit data).
 - When DINC operation is executed for the device designated by (D), whose content is 2147483647, the value -2147483648 is stored at the device designated by (D).
- (2) Decrementing 32-bit BIN data (DDEC)
 - Subtracts 1 from the device designated by (D) (32-bit data).
 - When DDEC operation is executed for the device designated by (D), whose content is -2147483648, the value 2147483647 is stored at the device designated by (D).

5 SEQUENCE INSTRUCTIONS FOR MOTION CPU

5.4.9 Conversion from BIN to BCD (16 bits, 32bits): BCD, DBCD

Setting data	Usable device																Digit designation	Index	
	Bit device							Word device					Constant	Pointer	Level				
	X	Y	M	SM	F	T	C	D	W	T	C	SD	Z	K	H	P			N
(S)	○	○	○	○	○			○	○	○	○	○						○	
(D)		△	△	△	△			○	○	○	○	○						△	

○: Usable △: Only BCD instruction (16 bits)



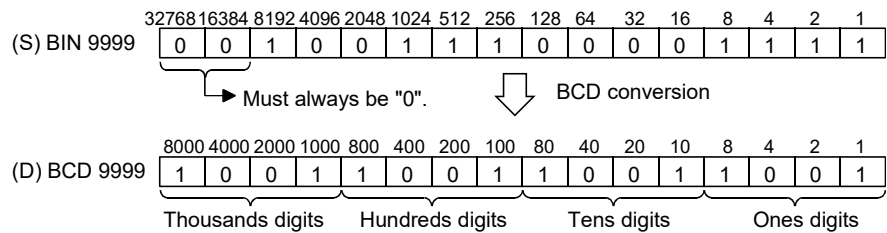
[Setting data]

Setting data	Description
(S)	Head number of the devices where the BIN data is stored (BIN 16/32 bits)
(D)	Head number of the devices where BCD data will be stored (BCD 4/8 digits)

[Function]

(1) Conversion from BIN to BCD (16 bits) (BCD)

- Converts BIN data (0 to 9999) at the device designated by (S) to BCD data, and stores it at the device designated by (D).

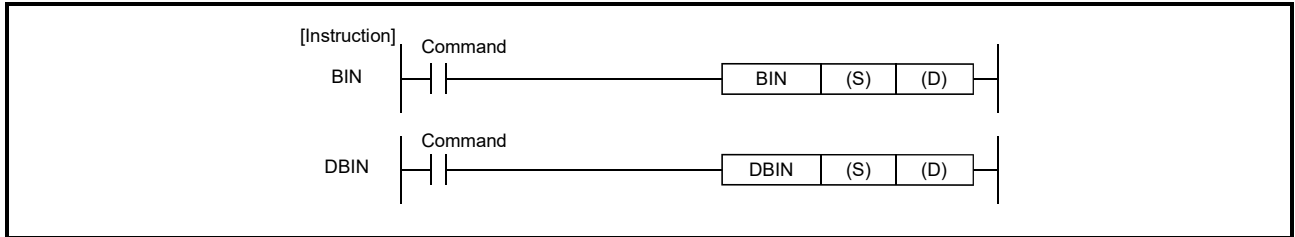


5 SEQUENCE INSTRUCTIONS FOR MOTION CPU

5.4.10 Conversion from BCD to BIN (16 bits, 32bits): BIN, DBIN

Setting data	Usable device																Digit designation	Index				
	Bit device						Word device						Constant	Pointer	Level							
	X	Y	M	SM	F	T	C	D	W	T	C	SD	Z	K	H	P			N			
(S)	○	○	○	○	○			○	○	○	○	○									○	
(D)		△	△	△	△			○	○	○	○	○									△	

○: Usable △: Only BIN instruction (16 bits)



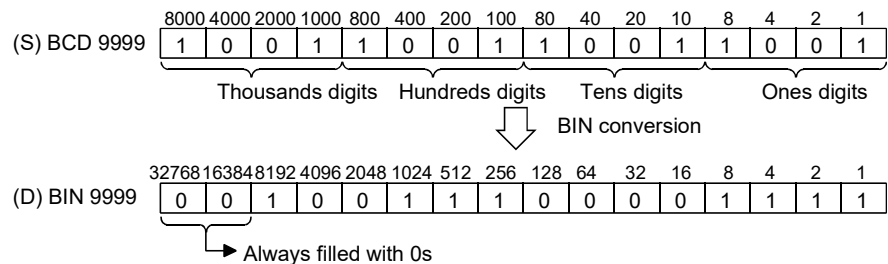
[Setting data]

Setting data	Description
(S)	Head number of the devices where the BCD data is stored (BCD 4/8 digits)
(D)	Head number of the devices where BIN data will be stored (BIN 16/32 bits)

[Function]

(1) Conversion from BCD to BIN (16 bits) (BIN)

- Converts BCD data (0 to 9999) at device designated by (S) to BIN data, and stores at the device designated by (D).



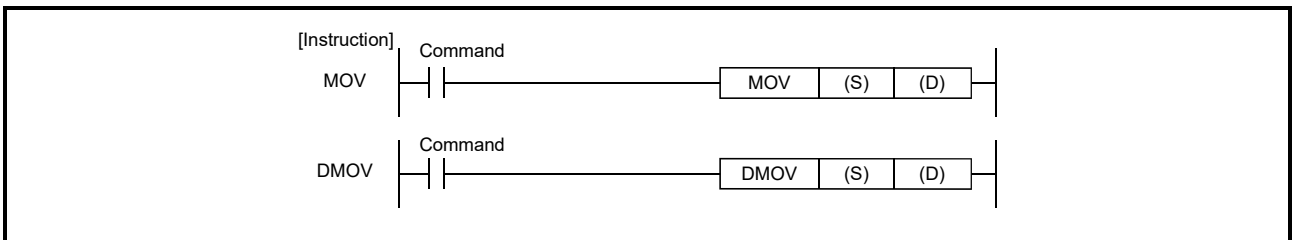
5 SEQUENCE INSTRUCTIONS FOR MOTION CPU

5.4.11 16-bit and 32-bit data transfers: MOV, DMOV

Setting data	Usable device																	Digit designation	Index
	Bit device							Word device						Constant		Pointer	Level		
	X	Y	M	SM	F	T	C	D	W	T	C	SD	Z	K	H	P	N		
(S)	○	○	○	○	○			○	○	○	○	○	△	○	○			○	△
(D)	○	○	○	○	○			○	○	○	○	○	△					○	△

○: Usable △:Usable partly (Note-1)

(Note-1): Alone Z can not be use for (S). Only when the index is modified to the word device, it is possible to use it by (S). Refer to Section 5.2.4 for details.



[Setting data]

Setting data	Description
(S)	Data to be transferred or the number of the device where the data to be transferred is stored (BIN 16/32 bits)
(D)	Number of the device where the data will be transferred (BIN 16/32 bits)

[Function]

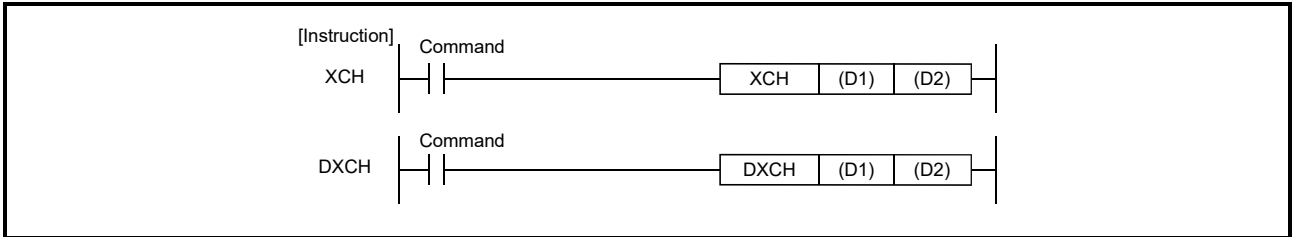
- (1) 16-bit data transfer (MOV)
 - Transfers the 16-bit data from the device designated by (S) to the device designated by (D).
- (2) 32-bit data transfer (DMOV)
 - Transfers 32-bit data at the device designated by (S) to the device designated by (D).

5 SEQUENCE INSTRUCTIONS FOR MOTION CPU

5.4.12 16-bit and 32-bit data exchanges: XCH, DXCH

Setting data	Usable device																Digit designation	Index	
	Bit device							Word device					Constant		Pointer	Level			
	X	Y	M	SM	F	T	C	D	W	T	C	SD	Z	K	H	P			N
(S)		○	○	○	○			○	○	○	○	○						○	
(D)								○	○	○	○	○							

○: Usable



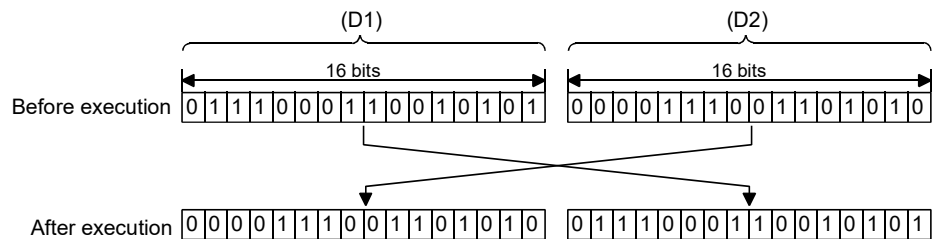
[Setting data]

Setting data	Description
(D1)	Head number of the devices where the data to be exchanged is stored (BIN 16/32 bits)
(D2)	

[Function]

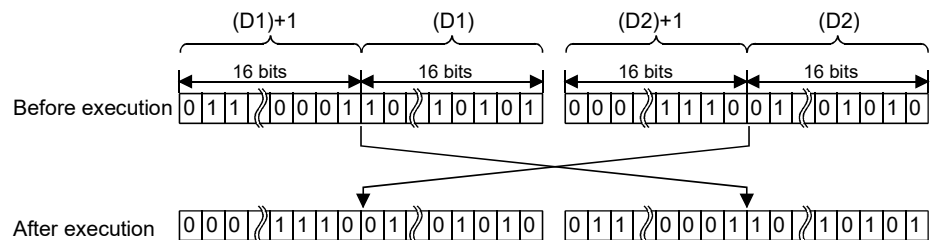
(1) 16-bit data exchange (XCH)

- Conducts 16-bit data exchange between (D1) and (D2).



(2) 32-bit data exchange (DXCH)

- Conducts 32-bit data exchange between (D1)+1, (D1) and (D2)+1, (D2).

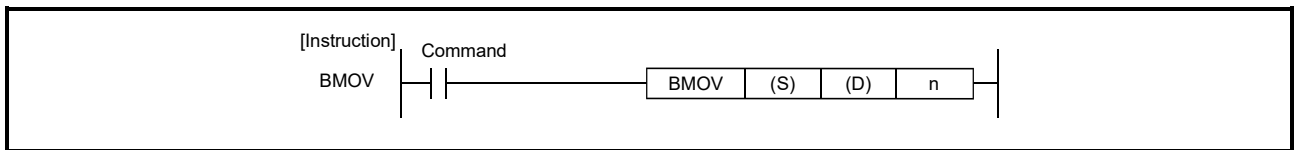


5 SEQUENCE INSTRUCTIONS FOR MOTION CPU

5.4.13 Block 16-bit data transfers: BMOV

Setting data	Usable device																Digit designation	Index	
	Bit device							Word device						Constant	Pointer	Level			
	X	Y	M	SM	F	T	C	D	W	T	C	SD	Z	K	H	P			N
(S)								○	○	○	○	○							
(D)								○	○	○	○	○							
n														○	○				

○: Usable

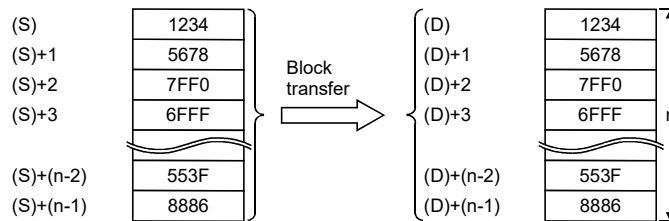


[Setting data]

Setting data	Description
(S)	Head number of the devices where the data to be transferred is stored (BIN 16 bits)
(D)	Head number of the devices of transfer destination (BIN 16 bits)
n	Number of transfers (BIN 16 bits)

[Function]

- (1) Transfers in batch 16-bit data of n points from the device designated by (S) to location n points from the device designated by (D).



- (2) Transfers can be accomplished even in cases where there is an overlap between the source and destination device.
 In the case of transmission to the smaller device number, transmission is from (S);
 for transmission to the larger device number, transmission is from (S)+ (n-1).

[Error]

The points specified in n exceed those of the corresponding device specified in (S) or (D), sequence program error occurs.

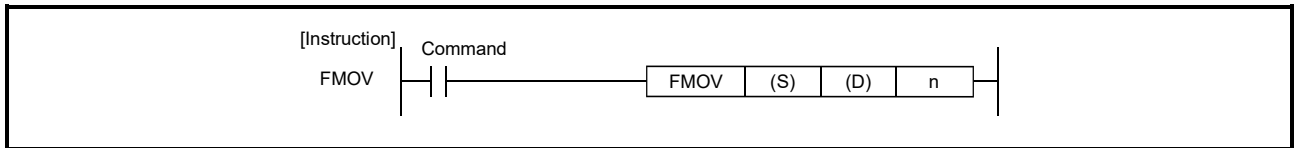
Safety observation warnings (SM24) are turned ON and error code (SD32): 10, detail code (SD33): 8010H are stored.

5 SEQUENCE INSTRUCTIONS FOR MOTION CPU

5.4.14 Identical 16-bit data block transfers: FMOV

Setting data	Usable device																	Digit designation	Index
	Bit device							Word device						Constant		Pointer	Level		
	X	Y	M	SM	F	T	C	D	W	T	C	SD	Z	K	H	P	N		
(S)								○	○	○	○	○		○	○				
(D)								○	○	○	○	○							
n														○	○				

○: Usable

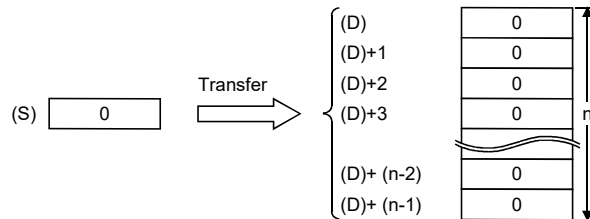


[Setting data]

Setting data	Description
(S)	Data to be transferred or the head number of the devices where the data to be transferred is stored (BIN 16 bits)
(D)	Head number of the devices of transfer destination (BIN 16 bits)
n	Number of transfers (BIN 16 bits)

[Function]

- (1) Transfers 16-bit data at the device designated by (S) to n points of devices starting from the one designated by (D).



[Error]

The points specified in n exceed those of the corresponding device specified in (D), sequence program error occurs.

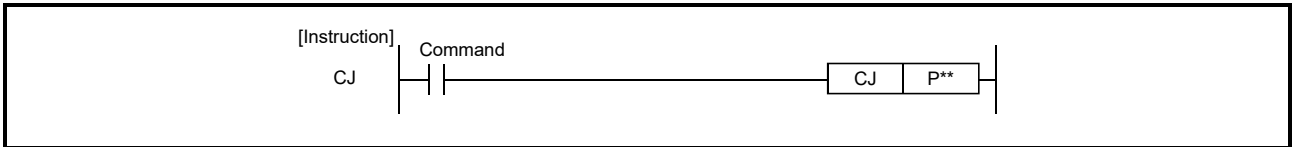
Safety observation warnings (SM24) are turned ON and error code (SD32): 10, detail code (SD33): 8010H are stored.

5 SEQUENCE INSTRUCTIONS FOR MOTION CPU

5.4.15 Pointer branch instructions: CJ

Setting data	Usable device																Digit designation	Index	
	Bit device							Word device					Constant		Pointer	Level			
	X	Y	M	SM	F	T	C	D	W	T	C	SD	Z	K	H	P			N
(S)																○			

○: Usable



[Setting data]

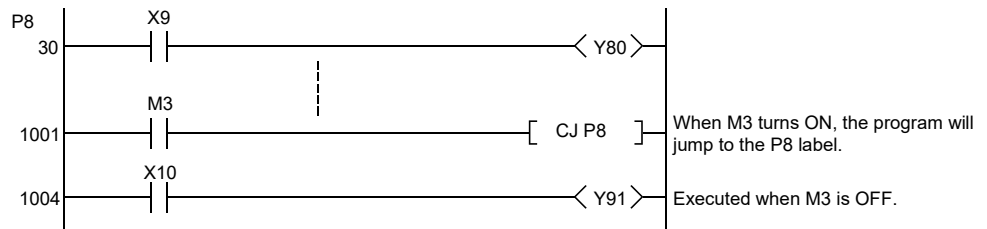
Setting data	Description
P**	Pointer number of jump destination (P0 to P249)

[Function]

- (1) Executes the program specified by the pointer number within the same program file or the other program file, when the execution command is ON.
- (2) When the execution command is OFF, the program at the next step is executed.

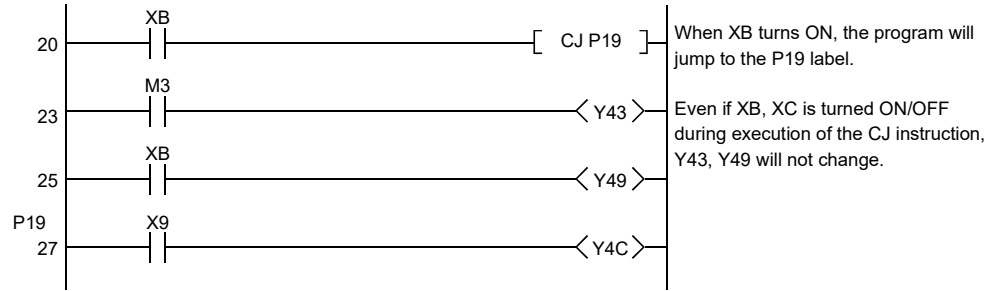
[Point]

- (1) Note the following points when using the jump instruction.
 - After the timer coil has gone ON, accurate measurements cannot be made if there is an attempt to jump the timer of a coil that has been turned ON using the CJ instructions.
 - Scan time is shortened if the CJ instruction is used to force a jump to the rear.
 - The CJ instructions can be used to jump to a step prior to the step currently being executed. However, it is necessary to consider methods to get out of the loop so that the scan time error in the process.

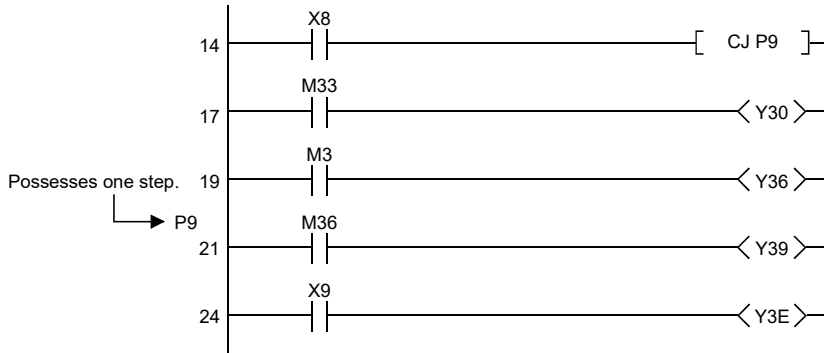


5 SEQUENCE INSTRUCTIONS FOR MOTION CPU

- The devices skipped with CJ will not change.



- Label (P**) possesses one step.



[Error]

In any of the following cases, sequence program error occurs.

Safety observation errors (SM57) are turned ON and error code (SD32): 10, detail code (SD33): 0400H are stored.

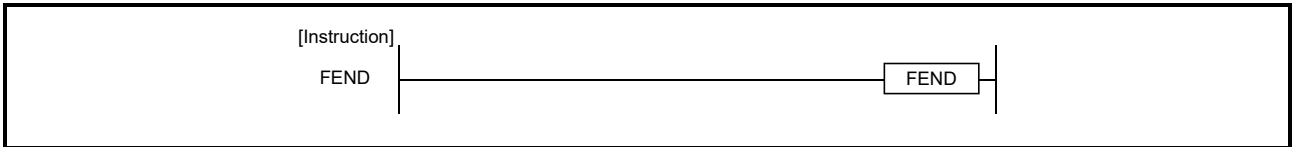
- The specified pointer number is not set before the END instruction.
- A pointer number which is not in use as a label in the same program has been specified.

5 SEQUENCE INSTRUCTIONS FOR MOTION CPU

5.4.16 End main routine program: FEND

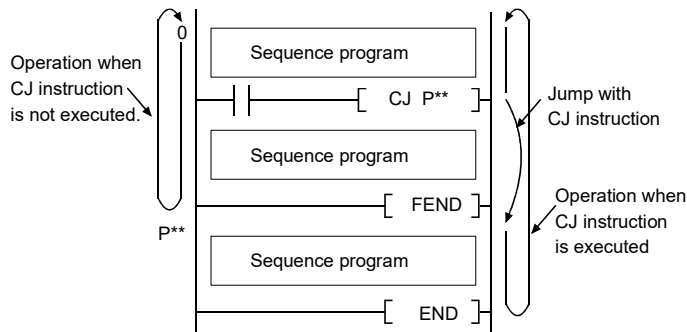
Setting data	Usable device																Digit designation	Index	
	Bit device							Word device						Constant		Pointer			Level
	X	Y	M	SM	F	T	C	D	W	T	C	SD	Z	K	H	P			N
—																			

○: Usable

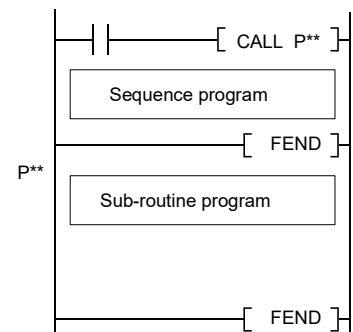


[Function]

- (1) The FEND instruction is used in cases where the CJ instruction or other instructions are used to cause a branch in the sequence program operations, and in cases where the main routine program is to be split from a subroutine program or an interrupt program.
- (2) Execution of the FEND instruction will cause the Motion CPU to terminate the program it was executing.
- (3) Even sequence programs following the FEND instruction can be displayed in ladder display at a peripheral device.
(Peripheral devices continue to display ladders until encountering the END instruction.)



(a) When CJ instruction is used



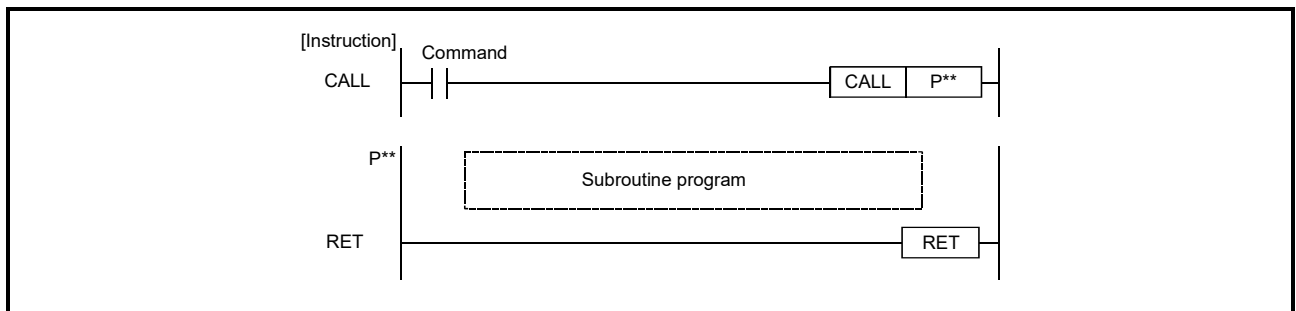
(b) When a subroutine program is used

5 SEQUENCE INSTRUCTIONS FOR MOTION CPU

5.4.17 Call/return of subroutine program: CALL, RET

Setting data	Usable device																Digit designation	Index
	Bit device							Word device					Constant		Pointer	Level		
	X	Y	M	SM	F	T	C	D	W	T	C	SD	Z	K	H	P		
P																○		

○: Usable



[Setting data]

Setting data	Description
P**	Head pointer number of a subroutine program (P0 to P249)

[Function]

- (1) Subroutine program calls (CALL)
 - When the CALL (P) instruction is executed, executes the subroutine program of the program specified by P**.
- (2) Return from subroutine programs (RET)
 - Indicates end of subroutine program
 - When the RET instruction is executed, returns to the step following the CALL instruction which called the subroutine program.

[Error]

In any of the following cases, sequence program abnormal warning occurs.
 Safety observation errors (SM57) are turned ON and error code (SD32): 10, detail code (SD33): 0400H are stored.

- There is no subroutine program for the pointer specified in the CALL instruction.
- The CALL instruction was executed on subroutine program (Nesting is not possible.).

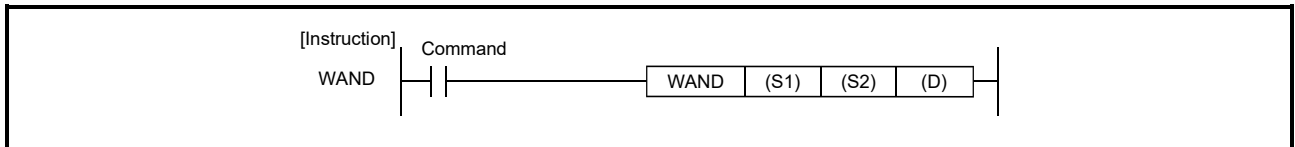
5 SEQUENCE INSTRUCTIONS FOR MOTION CPU

5.4.18 Logical products with 16-bit data: WAND

Setting data (Note-1)	Usable device																	Digit designation	Index
	Bit device							Word device						Constant		Pointer	Level		
	X	Y	M	SM	F	T	C	D	W	T	C	SD	Z	K	H	P	N		
(S1)	<input type="checkbox"/>	<input type="checkbox"/>	<input type="checkbox"/>	<input type="checkbox"/>	<input type="checkbox"/>			<input type="checkbox"/>	<input type="checkbox"/>	<input type="checkbox"/>	<input type="checkbox"/>	<input type="checkbox"/>		<input type="checkbox"/>	<input type="checkbox"/>			<input type="checkbox"/>	
(S2)	<input type="checkbox"/>	<input type="checkbox"/>	<input type="checkbox"/>	<input type="checkbox"/>	<input type="checkbox"/>			<input type="checkbox"/>	<input type="checkbox"/>	<input type="checkbox"/>	<input type="checkbox"/>	<input type="checkbox"/>		<input type="checkbox"/>	<input type="checkbox"/>			<input type="checkbox"/>	
(D)		<input type="checkbox"/>	<input type="checkbox"/>	<input type="checkbox"/>	<input type="checkbox"/>			<input type="checkbox"/>	<input type="checkbox"/>	<input type="checkbox"/>	<input type="checkbox"/>	<input type="checkbox"/>						<input type="checkbox"/>	

○: Usable

(Note-1): Cannot specify the same device in (S1) and (D), or (S2) and (D).



[Setting data]

Setting data	Description
(S1)	Data for a logical product operation or the head number of the devices where the data is stored (BIN 16 bits)
(S2)	
(D)	Head number of the devices where the logical product operation result will be stored (BIN 16 bits)

[Function]

- (1) A logical product operation is conducted for each bit of the 16-bit data of the device designated at (S1) and the 16-bit data of the device designated at (S2), and the results are stored in the device designated at (D).
- (2) For bit devices, the bit devices after the points designated by digit specification are regarded as "0" in the operation.

[Error]

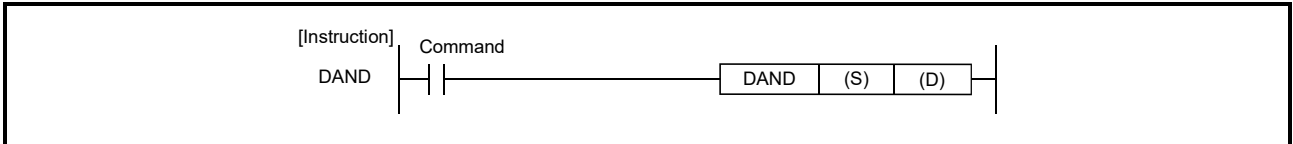
When the same device is specified in (S1) and (D) or (S2) and (D), a sequence program error occurs, the safety observation errors (SM57) are turned ON and error code (SD32): 10, detail code (SD33): 2700H are stored.

5 SEQUENCE INSTRUCTIONS FOR MOTION CPU

5.4.19 Logical product with 32-bit data: DAND

Setting data	Usable device																	Digit designation	Index
	Bit device							Word device						Constant		Pointer	Level		
	X	Y	M	SM	F	T	C	D	W	T	C	SD	Z	K	H	P	N		
(S)	<input type="checkbox"/>	<input type="checkbox"/>	<input type="checkbox"/>	<input type="checkbox"/>	<input type="checkbox"/>			<input type="checkbox"/>	<input type="checkbox"/>	<input type="checkbox"/>	<input type="checkbox"/>	<input type="checkbox"/>		<input type="checkbox"/>	<input type="checkbox"/>			<input type="checkbox"/>	
(D)		<input type="checkbox"/>	<input type="checkbox"/>	<input type="checkbox"/>	<input type="checkbox"/>			<input type="checkbox"/>	<input type="checkbox"/>	<input type="checkbox"/>	<input type="checkbox"/>	<input type="checkbox"/>							

○: Usable



[Setting data]

Setting data	Description
(S)	<ul style="list-style-type: none"> Data to be logical product or head number of device where data is stored. The logical product results are stored in (D) device. (BIN 32 bits)
(D)	

[Function]

- (1) Conducts a logical product operation on each bit of the 32-bit data for the device designated by (D) and the 32-bit data for the device designated by (S), and stores the results at the device designated by (D).
- (2) For bit devices, the bit devices after the points designated by digit specification are regarded as "0" in the operation.

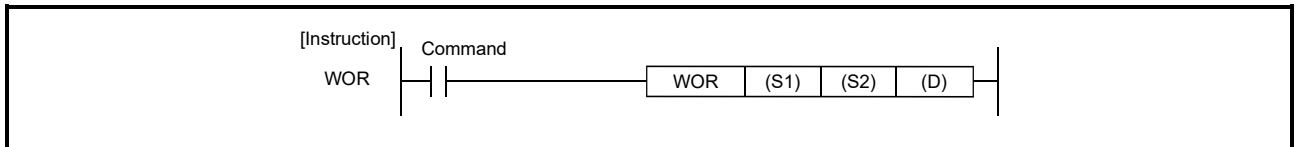
5 SEQUENCE INSTRUCTIONS FOR MOTION CPU

5.4.20 Logical sums with 16-bit data: WOR

Setting data (Note-1)	Usable device																	Digit designation	Index
	Bit device							Word device						Constant		Pointer	Level		
	X	Y	M	SM	F	T	C	D	W	T	C	SD	Z	K	H	P	N		
(S1)	○	○	○	○	○			○	○	○	○	○		○	○			○	
(S2)	○	○	○	○	○			○	○	○	○	○		○	○			○	
(D)		○	○	○	○			○	○	○	○	○						○	

○: Usable

(Note-1): Cannot specify the same device in (S1) and (D), or (S2) and (D).



[Setting data]

Setting data	Description
(S1)	Data for a logical sum operation or the head number of the devices where the data is stored (BIN 16 bits)
(S2)	
(D)	Head number of the devices where the logical sum operation result will be stored (BIN 16 bits)

[Function]

- (1) Conducts a logical sum operation on each bit of the 16-bit data of the device designated by (S1) and the 16-bit data of the device designated by (S2), and stores the results at the device designated by (D).
- (2) For bit devices, the bit devices after the points designated by digit specification are regarded as "0" in the operation.

[Error]

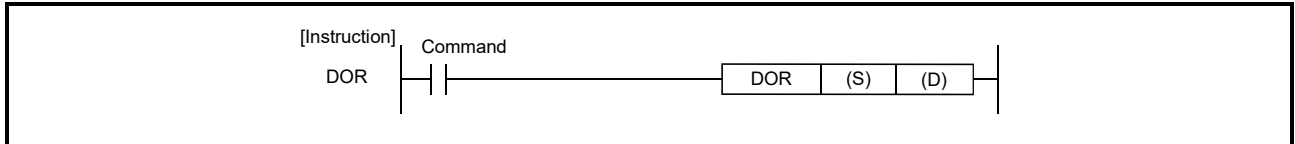
When the same device is specified in (S1) and (D) or (S2) and (D), a sequence program error occurs, the safety observation errors (SM57) are turned ON and error code (SD32): 10, detail code (SD33): 2700H are stored.

5 SEQUENCE INSTRUCTIONS FOR MOTION CPU

5.4.21 Logical sum with 32-bit data: DOR

Setting data	Usable device																	Digit designation	Index
	Bit device							Word device						Constant		Pointer	Level		
	X	Y	M	SM	F	T	C	D	W	T	C	SD	Z	K	H	P	N		
(S)	○	○	○	○	○			○	○	○	○	○		○	○			○	
(D)		○	○	○	○			○	○	○	○	○						○	

○: Usable



[Setting data]

Setting data	Description
(S)	<ul style="list-style-type: none"> Data to be logical sum or head number of device where data is stored. The logical sum results are stored in (D) device. (BIN 32 bits)
(D)	

[Function]

- Conducts a logical sum operation on each bit of the 32-bit data for the device designated by (D) and the 32-bit data for the device designated by (S), and stores the results at the device designated by (D).
- For bit devices, the bit devices after the points designated by digit specification are regarded as "0" in the operation.

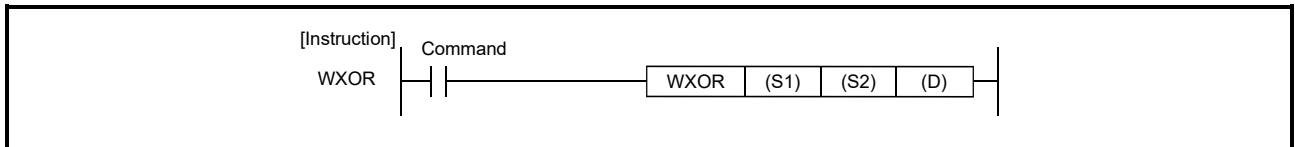
5 SEQUENCE INSTRUCTIONS FOR MOTION CPU

5.4.22 16-bit exclusive OR operation: WXOR

Setting data (Note-1)	Usable device																	Digit designation	Index
	Bit device							Word device						Constant		Pointer	Level		
	X	Y	M	SM	F	T	C	D	W	T	C	SD	Z	K	H	P	N		
(S1)	○	○	○	○	○			○	○	○	○	○		○	○			○	
(S2)	○	○	○	○	○			○	○	○	○	○		○	○			○	
(D)		○	○	○	○			○	○	○	○	○						○	

○: Usable

(Note-1): Cannot specify the same device in (S1) and (D), or (S2) and (D).



[Setting data]

Setting data	Description
(S1)	Data for a exclusive OR operation or the head number of the devices where the data is stored (BIN 16 bits)
(S2)	
(D)	Head number of the devices where the exclusive OR operation result will be stored (BIN 16 bits)

[Function]

- (1) Conducts a exclusive OR operation on each bit of the 16-bit data of the device designated by (S1) and the 16-bit data of the device designated by (S2), and stores the results at the device designated by (D).
- (2) For bit devices, the bit devices after the points designated by digit specification are regarded as "0" in the operation.

[Error]

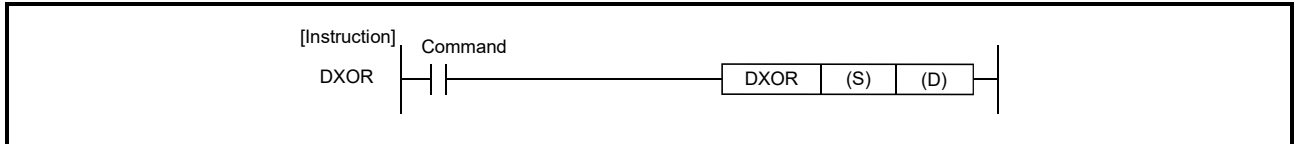
When the same device is specified in (S1) and (D) or (S2) and (D), a sequence program error occurs, the safety observation errors (SM57) are turned ON and error code (SD32): 10, detail code (SD33): 2700H are stored.

5 SEQUENCE INSTRUCTIONS FOR MOTION CPU

5.4.23 32-bit exclusive OR operation: DXOR

Setting data	Usable device																	Digit designation	Index
	Bit device							Word device						Constant		Pointer	Level		
	X	Y	M	SM	F	T	C	D	W	T	C	SD	Z	K	H	P	N		
(S)	○	○	○	○	○			○	○	○	○	○		○	○			○	
(D)		○	○	○	○			○	○	○	○	○						○	

○: Usable



[Setting data]

Setting data	Description
(S)	• Data to be exclusive OR or head number of device where data is stored.
(D)	• The logical sum results are stored in (D) device. (BIN 32 bits)

[Function]

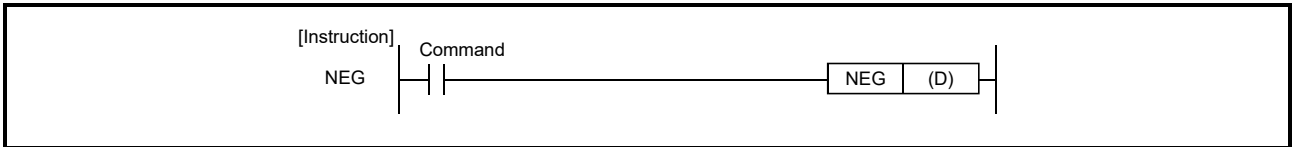
- (1) Conducts a exclusive OR operation on each bit of the 32-bit data for the device designated by (D) and the 32-bit data for the device designated by (S), and stores the results at the device designated by (D).
- (2) For bit devices, the bit devices after the points designated by digit specification are regarded as "0" in the operation.

5 SEQUENCE INSTRUCTIONS FOR MOTION CPU

5.4.24 Complement of 2 of BIN 16-bit data: NEG

Setting data	Usable device																Digit designation	Index	
	Bit device							Word device						Constant	Pointer	Level			
	X	Y	M	SM	F	T	C	D	W	T	C	SD	Z	K	H	P			N
(D)								○	○	○	○	○							

○: Usable



[Setting data]

Setting data	Description
(D)	Head number of the devices where the data for which complement of 2 is performed is stored (BIN 16 bits)

[Function]

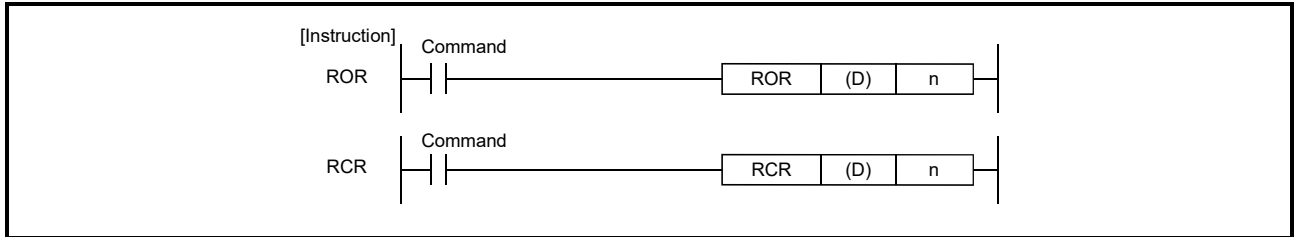
- (1) Reverses the sign of the 16-bit device designated by (D) and stores at the device designated by (D).
- (2) Used when reversing positive and negative signs.

5 SEQUENCE INSTRUCTIONS FOR MOTION CPU

5.4.25 Right rotation of 16-bit data: ROR, RCR

Setting data	Usable device																Digit designation	Index	
	Bit device							Word device					Constant		Pointer	Level			
	X	Y	M	SM	F	T	C	D	W	T	C	SD	Z	K	H	P			N
(D)								○	○	○	○	○							
n														○	○				

○: Usable



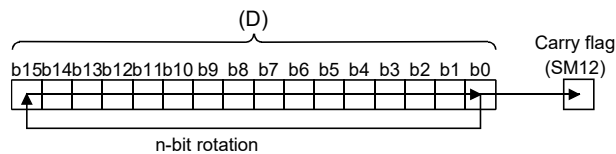
[Setting data]

Setting data	Description
(D)	Number of device where right rotation data is stored. (BIN 16 bits)
n	Times (0 to 15)

[Function]

(1) Right rotation of 16-bit data (Not include the carry flag) (ROR)

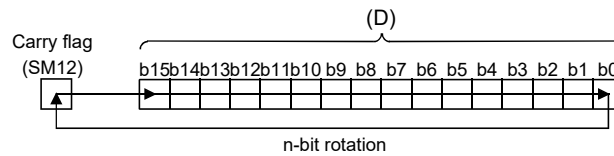
- Rotates 16-bit data of the device designated by (D), not including the carry flag, n-bits to the right. The carry flag is ON or OFF depending on the status prior to the execution of the ROR instruction.



- Specify any of 0 to 15 as n. If the value specified as n is out of range, the remainder of $n / 16$ is used for rotation. (As n is BIN 16 bits unsigned value.) For example, when $n=18$, the contents are rotated two bits to the right since the remainder of $18 / 16 = 1$ is "2".

(2) Right rotation of 16-bit data (Include the carry flag) (RCR)

- Rotates 16-bit data of the device designated by (D), including the carry flag, n-bits to the right. The carry flag is ON or OFF depending on the status prior to the execution of the RCR instruction.



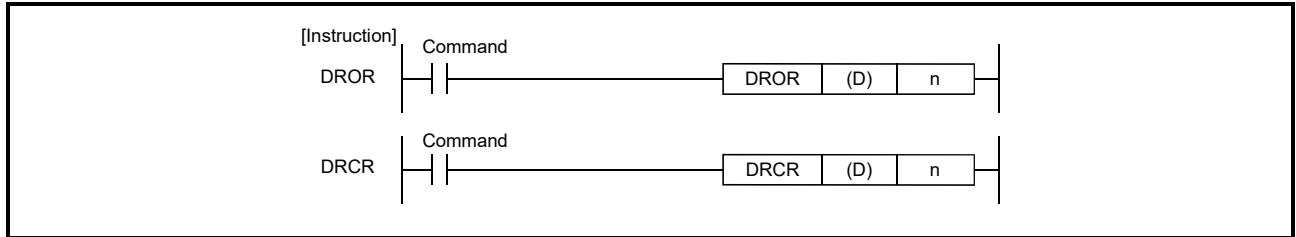
- Specify any of 0 to 15 as n. If the value specified as n is out of range, the remainder of $n / 16$ is used for rotation. (As n is BIN 16 bits unsigned value.) For example, when $n=18$, the contents are rotated two bits to the right since the remainder of $18 / 16 = 1$ is "2".

5 SEQUENCE INSTRUCTIONS FOR MOTION CPU

5.4.26 Right rotation of 32-bit data: DROR, DRCR

Setting data	Usable device																Digit designation	Index	
	Bit device							Word device					Constant		Pointer	Level			
	X	Y	M	SM	F	T	C	D	W	T	C	SD	Z	K	H	P			N
(D)								○	○	○	○	○							
n														○	○				

○: Usable



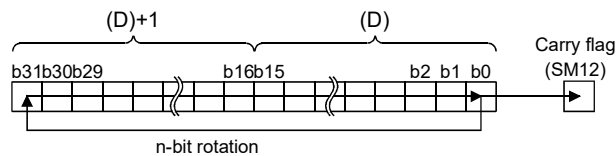
[Setting data]

Setting data	Description
(D)	Number of device where right rotation data is stored. (BIN 32 bits)
n	Times (0 to 31)

[Function]

(1) Right rotation of 32-bit data (Not include the carry flag) (DROR)

- The 32-bit data of the device designated at (D), not including the carry flag, is rotated n-bits to the right. The carry flag turns ON or OFF depending on its status prior to the execution of the DROR instruction.

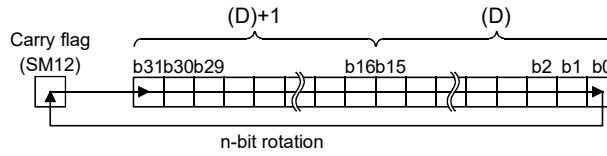


- Specify any of 0 to 31 as n. If the value specified as n is out of range, the remainder of $n / 32$ is used for rotation. (As n is BIN 16 bits unsigned value.) For example, when $n=34$, the contents are rotated two bits to the right since the remainder of $34 / 32 = 1$ is "2".

(2) Right rotation of 32-bit data (Include the carry flag) (DRCR)

- Rotates 32-bit data, including carry flag, at device designated by (D) n bits to the right.

The carry flag goes ON or OFF depending on its status prior to the execution of the DRCR instruction.



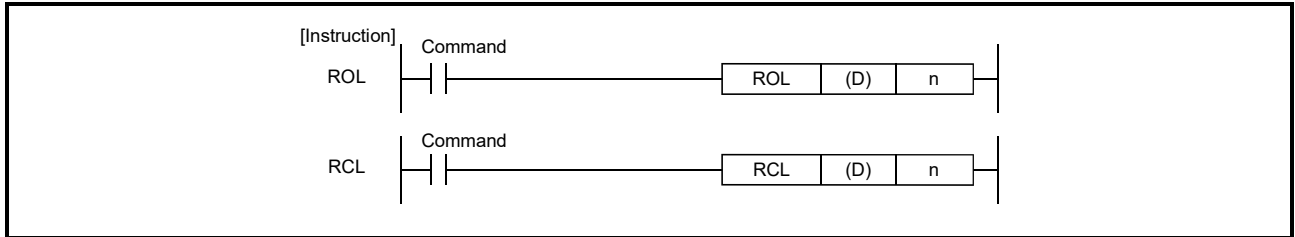
- Specify any of 0 to 31 as n. If the value specified as n is out of range, the remainder of $n / 32$ is used for rotation. (As n is BIN 16 bits unsigned value.) For example, when $n=34$, the contents are rotated two bits to the right since the remainder of $34 / 32 = 1$ is "2".

5 SEQUENCE INSTRUCTIONS FOR MOTION CPU

5.4.27 Left rotation of 16-bit data: ROL, RCL

Setting data	Usable device																Digit designation	Index	
	Bit device							Word device					Constant		Pointer	Level			
	X	Y	M	SM	F	T	C	D	W	T	C	SD	Z	K	H	P			N
(D)								○	○	○	○	○							
n														○	○				

○: Usable



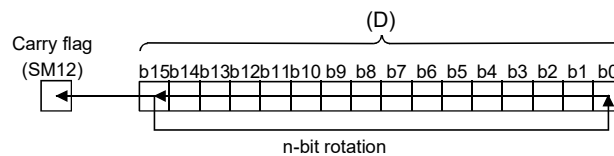
[Setting data]

Setting data	Description
(D)	Number of device where left rotation data is stored. (BIN 16 bits)
n	Times (0 to 15)

[Function]

(1) Left rotation of 16-bit data (Not include the carry flag) (ROL)

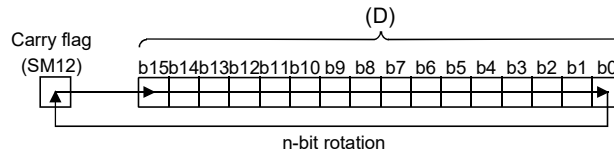
- Rotates 16-bit data of the device designated by (D), not including the carry flag, n-bits to the left. The carry flag is ON or OFF depending on the status prior to the execution of the ROL instruction.



- Specify any of 0 to 15 as n. If the value specified as n is out of range, the remainder of n/16 is used for rotation. (As n is BIN 16 bits unsigned value.) For example, when n=18, the contents are rotated two bits to the left since the remainder of $18 / 16 = 1$ is "2".

(2) Left rotation of 16-bit data (Include the carry flag) (RCL)

- Rotates 16-bit data of the device designated by (D), including the carry flag, n-bits to the left. The carry flag is ON or OFF depending on the status prior to the execution of the RCL instruction.



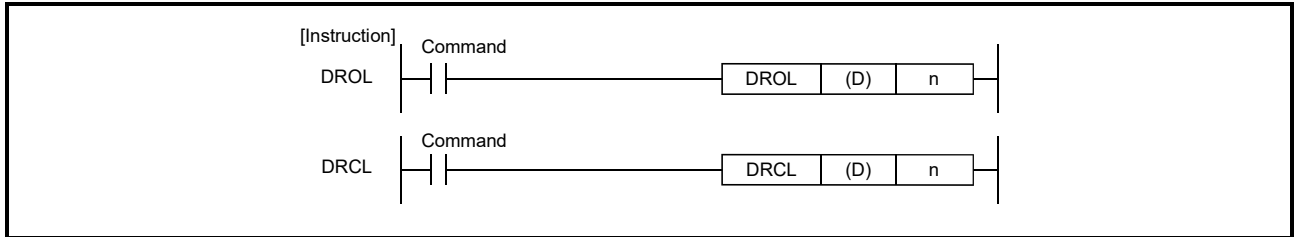
- Specify any of 0 to 15 as n. If the value specified as n is out of range, the remainder of $n / 16$ is used for rotation. (As n is BIN 16 bits unsigned value.) For example, when $n=18$, the contents are rotated two bits to the left since the remainder of $18 / 16 = 1$ is "2".

5 SEQUENCE INSTRUCTIONS FOR MOTION CPU

5.4.28 Left rotation of 32-bit data: DROL, DRCL

Setting data	Usable device																Digit designation	Index	
	Bit device							Word device					Constant		Pointer	Level			
	X	Y	M	SM	F	T	C	D	W	T	C	SD	Z	K	H	P			N
(D)								○	○	○	○	○							
n														○	○				

○: Usable



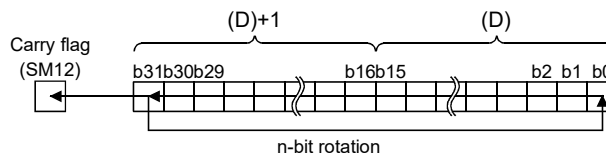
[Setting data]

Setting data	Description
(D)	Number of device where left rotation data is stored. (BIN 32 bits)
n	Times (0 to 31)

[Function]

(1) Left rotation of 32-bit data (Not include the carry flag) (DROL)

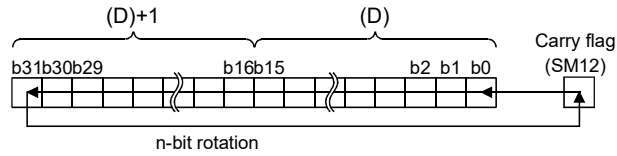
- The 32-bit data of the device designated at (D), not including the carry flag, is rotated n-bits to the left. The carry flag turns ON or OFF depending on its status prior to the execution of the DROL instruction.



- Specify any of 0 to 31 as n. If the value specified as n is out of range, the remainder of n / 32 is used for rotation. (As n is BIN 16 bits unsigned value.) For example, when n=34, the contents are rotated two bits to the left since the remainder of $34 / 32 = 1$ is "2".

(2) Left rotation of 32-bit data (Include the carry flag) (DRCL)

- Rotates 32-bit data of the device designated by (D), including the carry flag, n-bits to the left. The carry flag turns ON or OFF depending on its status prior to the execution of the DRCL instruction.



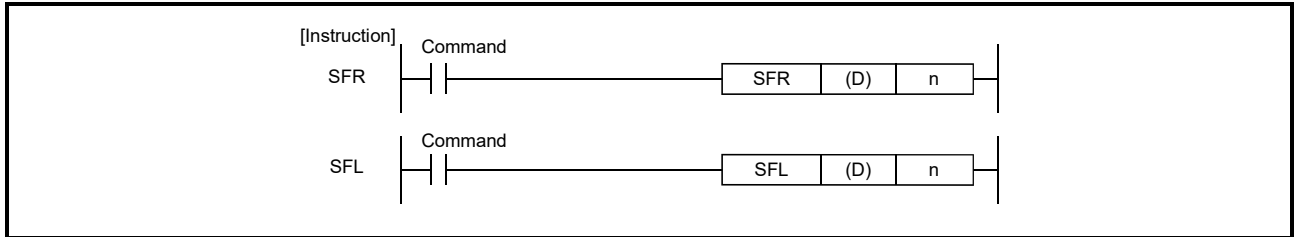
- Specify any of 0 to 31 as n. If the value specified as n is out of range, the remainder of $n / 32$ is used for rotation. (As n is BIN 16 bits unsigned value.) For example, when $n=34$, the contents are rotated two bits to the left since the remainder of $34 / 32 = 1$ is "2".

5 SEQUENCE INSTRUCTIONS FOR MOTION CPU

5.4.29 n-bit shift to right or left of 16-bit data: SFR, SFL

Setting data	Usable device																Digit designation	Index	
	Bit device							Word device					Constant		Pointer	Level			
	X	Y	M	SM	F	T	C	D	W	T	C	SD	Z	K	H	P			N
(D)								○	○	○	○	○							
n														○	○				

○: Usable



[Setting data]

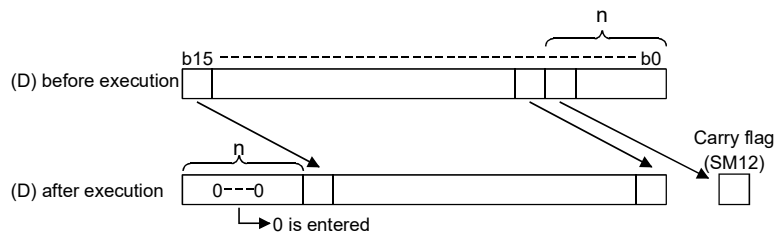
Setting data	Description
(D)	Number of the devices where shift data is stored (BIN 16 bits)
n	Number of shifts (0 to 15)

[Function]

(1) n-bit shift to right of 16-bit data (SFR)

- Causes a shift to the right by n bits of the 16-bit data from the device designated at (D).

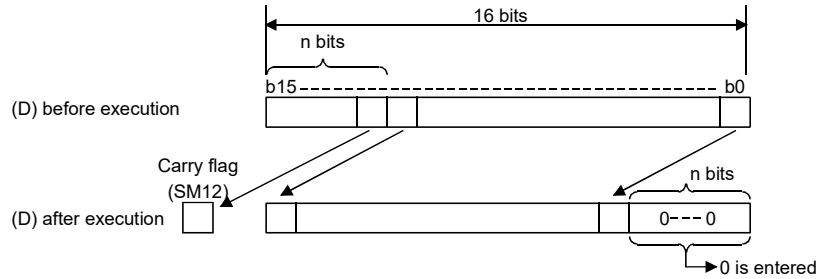
The n bits from the upper bit are filled with 0s.



- Specify any of 0 to 15 as n. If the value specified as n is out of range, the remainder of $n / 16$ is used for rotation. (As n is BIN 16 bits unsigned value.) For example, when $n=18$, the contents are rotated two bits to the right since the remainder of $18 / 16 = 1$ is "2".

(2) n-bit shift to left of 16-bit data (SFL)

- Shifts 16-bit data at device designated by n bits to the left. Bits starting from the lowest bit to n bit are filled with 0s.



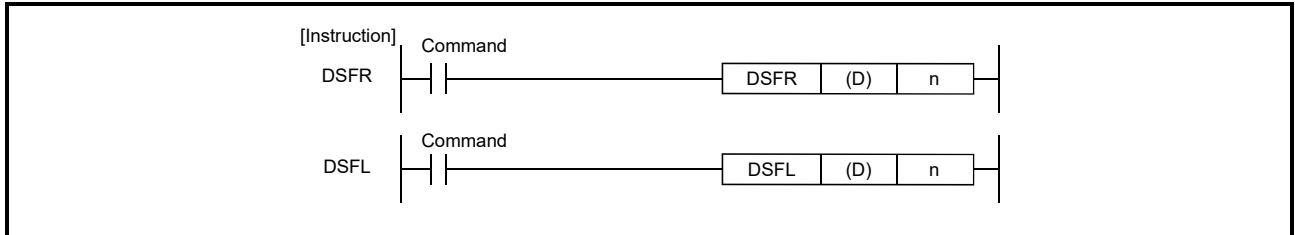
- Specify any of 0 to 15 as n. If the value specified as n is out of range, the remainder of $n / 16$ is used for rotation. (As n is BIN 16 bits unsigned value.) For example, when $n=18$, the contents are rotated two bits to the left since the remainder of $18 / 16 = 1$ is "2".

5 SEQUENCE INSTRUCTIONS FOR MOTION CPU

5.4.30 1-word shift to right or left of n-word data: DSFR, DSFL

Setting data	Usable device																Digit designation	Index			
	Bit device							Word device					Constant		Pointer	Level					
	X	Y	M	SM	F	T	C	D	W	T	C	SD	Z	K	H	P			N		
(D)								○	○	○	○	○									
n																○	○				

○: Usable



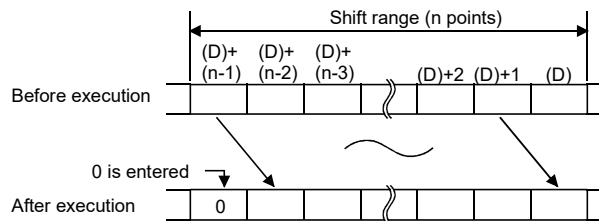
[Setting data]

Setting data	Description
(D)	Head number of the devices to be shifted (BIN 16 bits)
n	Number of devices to which shift is executed (BIN 16 bits)

[Function]

(1) 1-word shift to right of n-word data (DSFR)

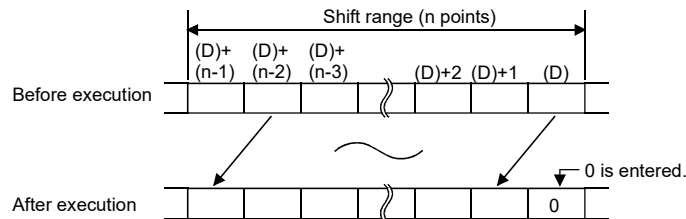
- Shifts data n points from device designated by (D) 1-word to the right.



- The device designated by $(D) + (n-1)$ is filled with 0.
- The T, C shift will be a current value (attribute value or count value) shift. (Shifting with the setting value is not possible.)

(2) 1-word shift to left of n-word data (DSFL)

- Shifts data n points from device designated by (D) 1-word to the left.



- The device designated by (D) is filled with 0.
- The T, C shift will be a current value (attribute value or count value) shift. (Shifting with the setting value is not possible.)

[Error]

The points specified in n exceed those of the corresponding device specified in (D), sequence program error occurs.

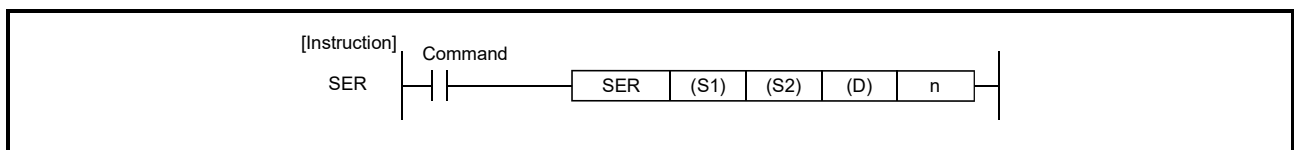
Safety observation warnings (SM24) are turned ON and error code (SD32): 10, detail code (SD33): 8012H at DSFR or 8013H at DSFL are stored.

5 SEQUENCE INSTRUCTIONS FOR MOTION CPU

5.4.31 16-bit data searches: SER

Setting data	Usable device																	Digit designation	Index
	Bit device							Word device					Constant		Pointer	Level			
	X	Y	M	SM	F	T	C	D	W	T	C	SD	Z	K	H	P	N		
(S1)								<input type="radio"/>	<input type="radio"/>	<input type="radio"/>	<input type="radio"/>	<input type="radio"/>							
(S2)								<input type="radio"/>	<input type="radio"/>	<input type="radio"/>	<input type="radio"/>	<input type="radio"/>							
(D)								<input type="radio"/>	<input type="radio"/>	<input type="radio"/>	<input type="radio"/>	<input type="radio"/>							
n								<input type="radio"/>	<input type="radio"/>	<input type="radio"/>	<input type="radio"/>	<input type="radio"/>		<input type="radio"/>	<input type="radio"/>				

○: Usable



[Setting data]

Setting data	Description
(S1)	Number of the devices where the search data is stored (BIN 16 bits)
(S2)	Head number of the devices where the data to be searched is stored (BIN 16 bits)
(D)	Head number of the devices where the search result will be stored (BIN 16 bits)
n	Number of searches (BIN 16 bits)

[Function]

- (1) Searches n points from the 16-bit data of the device designated by (S2), regarding 16-bit data of the device designated by (S1) as a keyword. Then, the number of matches with the keyword is stored at the device designated by (D)+1, and the first matched device number (in the relative number from (S2)) is stored at the device designated by (D).
- (2) No processing is conducted if n is 0 or a negative value.
- (3) If no matches are found in the search, the devices designated at (D) and (D)+1 become "0".

[Error]

The range of n exceeds that of the device specified in (S2) or the points specified in n exceed those of the corresponding device specified in (D), sequence program error occurs.

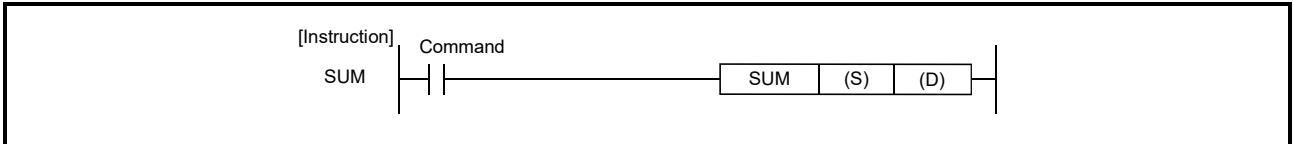
Safety observation warnings (SM24) are turned ON and error code (SD32): 10, detail code (SD33): 8014H are stored.

5 SEQUENCE INSTRUCTIONS FOR MOTION CPU

5.4.32 16-bit data checks: SUM

Setting data	Usable device																Digit designation	Index	
	Bit device							Word device					Constant		Pointer	Level			
	X	Y	M	SM	F	T	C	D	W	T	C	SD	Z	K	H	P			N
(S)								○	○	○	○	○							
(D)								○	○	○	○	○							

○: Usable

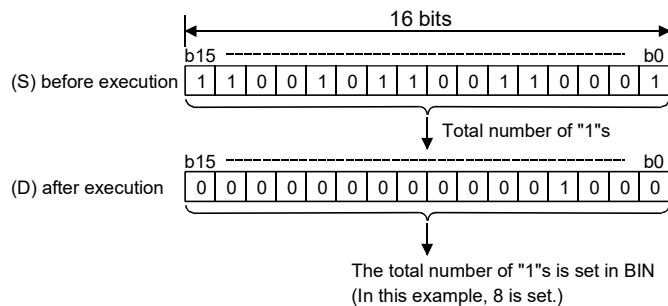


[Setting data]

Setting data	Description
(S)	Number of the devices where the total number of bits of "1" is counted (BIN 16 bits)
(D)	Number of the devices where the total number of the bits will be stored (BIN 16 bits)

[Function]

- From the 16-bit data in the device designated by (S), stores the total number of bits where "1" is set, in the device designated by (D).

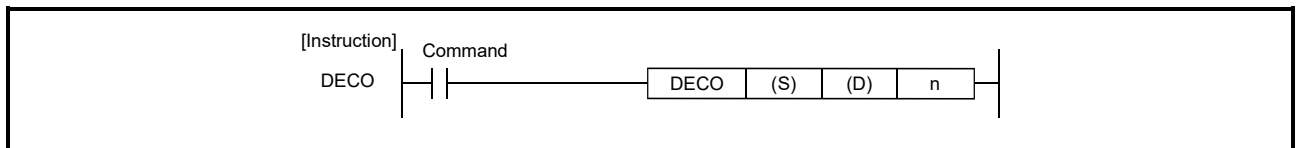


5 SEQUENCE INSTRUCTIONS FOR MOTION CPU

5.4.33 Decoding from 8 to 256 bits: DECO

Setting data	Usable device																	Digit designation	Index
	Bit device							Word device						Constant		Pointer	Level		
	X	Y	M	SM	F	T	C	D	W	T	C	SD	Z	K	H	P	N		
(S)								○	○	○	○	○							
(D)								○	○	○	○	○							
n								○	○	○	○	○		○	○				

○: Usable



[Setting data]

Setting data	Description
(S)	Number of the device where the data to be decoded is stored (BIN 16 bits)
(D)	Number of the devices where the decoding result will be stored (BIN 16 bits)
n	Valid bit length (1 to 8)

[Function]

- (1) Turns ON the bit position of (D), which corresponds to the binary value designated by the lower n bits at (S).
- (2) The value of n can be designated between 1 and 8.
- (3) No processing is conducted if n=0, and there are no changes in device designated at (D).
- (4) Bit devices are treated as 1 bit, and word devices as 16 bits.

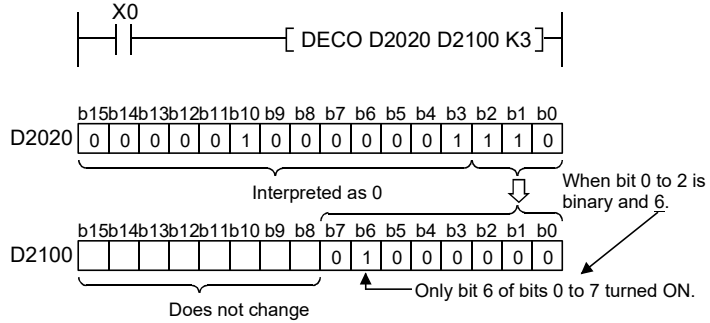
[Error]

The range 2^n bits from exceeds the range of the corresponding device or the value of n is other than 0 to 8, sequence program error occurs.

Safety observation warnings (SM24) are turned ON and error code (SD32): 10, detail code (SD33): 8015H are stored.

[Program Example]

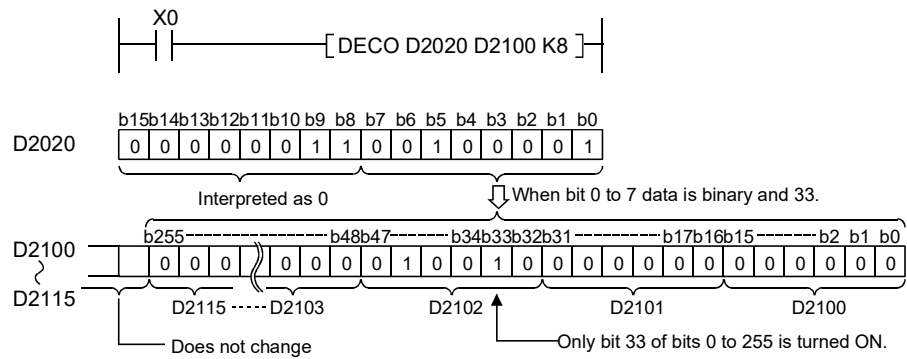
- (1) Program to decode the three bits 0 to 2 of D2020, and turn the bits corresponding in D2100 ON.



(Note-1): The D2100 bit 0 turns ON when the b0 to b2 of D2020 are 0.

(Note 2): The D2100 details remain the same even if X0 turns OFF.

- (2) Program to decode the eight bits 0 to 7 of D2020, and turn the bits corresponding in D2100 to D2115 ($2^8 = 256$ bits) ON.

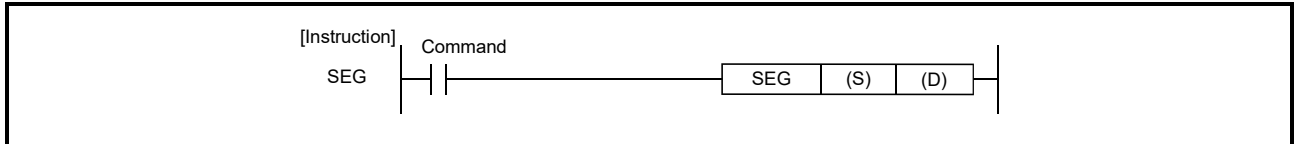


5 SEQUENCE INSTRUCTIONS FOR MOTION CPU

5.4.34 7-segment decode: SEG

Setting data	Usable device																Digit designation	Index	
	Bit device							Word device					Constant	Pointer	Level				
	X	Y	M	SM	F	T	C	D	W	T	C	SD	Z	K	H	P			N
(S)	○	○	○	○	○			○	○	○	○	○						○	
(D)		○	○	○	○			○	○	○	○	○						○	

○: Usable



[Setting data]

Setting data	Description
(S)	Data to be decoded or head number of the devices where the data to be decoded is stored (BIN 16 bits)
(D)	Head number of the devices where the decoding result will be stored (BIN 16 bits)

[Function]

- (1) Decodes the data from 0 to F designated by the lower 4 bits of (S) to 7-segment display data, and stores at (D).

(S)		Configuration of 7 segments	(D)								Display data
Hexadecimal	Bit pattern		B7	B6	B5	B4	B3	B2	B1	B0 (Note)	
0	0000		0	0	1	1	1	1	1	1	0
1	0001		0	0	0	0	0	1	1	0	1
2	0010		0	1	0	1	1	0	1	1	2
3	0011		0	1	0	0	1	1	1	1	3
4	0100		0	1	1	0	0	1	1	0	4
5	0101		0	1	1	0	1	1	0	1	5
6	0110		0	1	1	1	1	1	0	1	6
7	0111		0	0	1	0	0	1	1	1	7
8	1000		0	1	1	1	1	1	1	1	8
9	1001		0	1	1	0	1	1	1	1	9
A	1010		0	1	1	1	0	1	1	1	A
B	1011		0	1	1	1	1	1	0	0	b
C	1100		0	0	1	1	1	0	0	1	c
D	1101		0	1	0	1	1	1	1	0	d
E	1110		0	1	1	1	1	0	0	1	E
F	1111		0	1	1	1	0	0	0	1	F

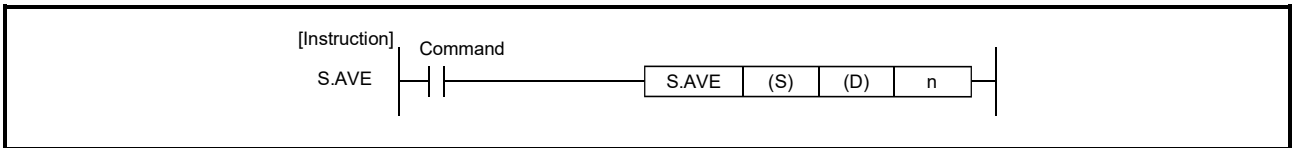
(Note): Lowest bit of word device

5 SEQUENCE INSTRUCTIONS FOR MOTION CPU

5.4.35 Calculation of average value: S.AVE

Setting data	Usable device																	Digit designation	Index
	Bit device							Word device					Constant		Pointer	Level			
	X	Y	M	SM	F	T	C	D	W	T	C	SD	Z	K	H	P	N		
(S)								○	○	○	○	○							
(D)								○	○	○	○	○							
								○	○	○	○	○		○	○				

○: Usable

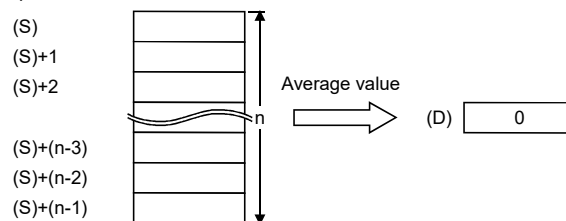


[Setting data]

Setting data	Description
(S)	Head number of the devices where the data to be averaged are stored (BIN16 bits)
(D)	Head number of the devices where the average will be stored (BIN 16 bits)
n	Number of data or number of the devices where the number of data are stored (BIN 16 bits)

[Function]

- (1) This instruction calculates the mean of 16-bit BIN data stored in n-point devices starting from the device specified by (S), and then stores the result into the device specified by (D).



- (2) If the value calculated is not integer, this instruction will drop the number of decimal places.
- (3) If the value specified by n is 0, the instruction will be not processed. (Setting range: 1 to 32767)
- (4) Corresponds to the "MEAN" instruction of the PLC CPU.

[Error]

The value specified in n is other than 0 to 32767 or the points specified in n exceed those of the corresponding device specified in (S), sequence program error occurs. Safety observation warnings (SM24) are turned ON and error code (SD32): 10, detail code (SD33): 8016H are stored.

6. TROUBLESHOOTING

6.1 Safety Observation Error List

When errors which turn off the shut-off signal occur in the safety observation function, the safety observation error flag (SM57) turns ON and the error code (SD32) and detail code (SD33) are stored. Release the alarm depending on contents of error codes. The errors other than with (Note-2, Note-6) cannot be reset. Restart the system (power supply ON or reset of PLC CPU) after release of errors. In addition, when the safety observation errors occurred, a self-diagnostic error flag (SM1) and diagnostic error flag (SM0) turn ON, and a self-diagnostic errors (error code 10050) is stored in diagnostic errors (SD0).

Table 6.1 Safety observation error list

Error code (SD32)	Detail code (SD33)	Error contents	Error cause	Corrective action	Relevant CPU		Reset	
					PLC CPU	Motion CPU		
9 (Note-1)	0021H	Unsupported CPU type for safety observation function	The safety observation function parameters are set to Q17□DCPU that does not support the safety observation function.	Change the CPU to Q17□DCPU-S1/Q17□DSCPU.	—	○	×	
	0022H		The safety observation function parameter is set to other than CPU No.2.	To a Motion CPU other than CPU No.2, write parameters for which the safety observation function parameter is not set.				
10	0400H	Sequence program error	<ul style="list-style-type: none"> An attempt was made to execute the unsupported instruction code. The specified target does not exist in the CALL or CJ instruction. 	Correct the user safety sequence program of the Motion CPU. Delete the file of the faulty sequence program.	—	○	(Note-2)	
	0401H		An attempt was made to execute the CALL instruction at the jump destination of the CALL instruction.					
	1000H		An attempt was made to execute the unsupported instruction code.					
	2700H		<ul style="list-style-type: none"> An unsupported instruction or device description exists. Outside the device range description exists. The file (File name: ERRLAD-□) that has a sequence program error remains in the program memory. 					
			2701H					One or more program is registered, but the P252 label does not exist.
	2702H		The internal memory for executing the sequence program is insufficient.					Decrease the number of steps of the user safety sequence program of the Motion CPU.
	2800H		The PLC parameters of GX Works2 project on Motion CPU side are changed from the default settings.					Write the user safety sequence program to the Motion CPU in the status that the PLC parameters are set to the default settings.
20	Error device No. (HEX)	Safety signal compare error	A mismatch between safety signals that were input to the PLC CPU and those that were input to the Motion CPU was detected. The following causes are assumed: <ul style="list-style-type: none"> Cable disconnection Faulty door switch The control status of the output signal by the user safety sequence program differs between the Motion CPU and the PLC CPU 	Check the wiring. Correct the sequence program so that the Motion CPU and the PLC CPU have the same control logic.	○	○	×	



Table 6.1 Safety observation error list (Continued)

Error code (SD32)	Detail code (SD33)	Error contents	Error cause	Corrective action	Relevant CPU		Reset
					PLC CPU	Motion CPU	
21	Data transfer error code	Sequence programs for safety observation transfer error	A data transfer request from Motion CPU to PLC CPU was not correctly handled.	Explain the error symptom and get advice from our sales representative.	○	○	×
	4026H		An access from the Motion CPU is unavailable because a password is registered for the sequence programs for safety observation of the PLC CPU (SSU_CMP/SLS_CMP/SNT_CMP).	Do not change the password settings of the sequence programs for safety observation (SSU_CMP/SLS_CMP/SNT_CMP).	○	—	
	4029H		The user ladder area doesn't have enough available area to write the sequence programs for safety observation.	Check the available area size of the user sequence program area. If the size is not enough, reduce the number of steps in the user sequence program or delete the unnecessary data on the program memory.	○	—	
22	Data transfer request code	Sequence programs for safety observation transfer timeout	A data transfer request from Motion CPU to PLC CPU was aborted. This error may occur when access to the sequence program file using other devices such as GX Works2 and a GOT is attempted.	Turn ON the controller again after breaking the access of other devices.	○	—	×
23	—	Sequence programs for safety observation comparison error	A mismatch between sequence programs for safety observation written in PLC CPU and that stored in Motion CPU was detected. It is assumed that the PLC CPU or Motion CPU may be damaged.	Explain the error symptom and get advice from our sales representative.	○	—	×
24	—	Safety observation processing stop (PLC CPU)	The safety observation processing of the PLC CPU is not working or delayed. The following reasons may be responsible: • "SSU_CMP" or "SLS_CMP" (when the speed monitoring function is used) is not registered to [PLC parameter] on [Program setting] page. • The scan time of the PLC CPU exceeds 100ms (when the speed monitoring function is not used) or 25ms (when the speed monitoring function is used).	Check the PLC parameter setting. When the scan time is long, shorten it such as by reducing the number of steps of the user sequence program.	○	—	×
25	—	Safety observation processing stop (Motion CPU)	The safety observation processing of the Motion CPU is not working or delayed.	Explain the error symptom and get advice from our sales representative.	—	○	×
26	Error device No. (HEX) (Note-3)	Safety signal output FB comparison error	A mismatch between output signals from safety signal unit and their feedback signals was detected. The following cause is assumed: • 24VDC power is not supplied to the safety signal module. • The actual I/O number assignment of parameters to the safety signal module station is different from the setting.	Supply 24VDC to safety signal module. After confirming that safety signals are correctly output, turn ON the controller again. Check if the I/O No. set in the parameter and the station No. of the safety signal module properly correspond. If this remedy still can't solve the error, the safety signal unit may be damaged.	○	○	×
27	Parameter No. (Note-4)	Safety observation parameter setting error	An error of the safety observation parameter was detected.	Reconsider the safety observation parameter setting corresponding to the small classification code, and write it to the Motion CPU.	—	○	×
28	—	Safety observation parameter compare error	The parameters relating to safety observation are not correctly transmitted from Motion CPU to PLC CPU.	Check if the multiple CPU area device for the safety observation function has not been changed in a user program. If the error cannot be resolved, explain the error symptom and get advice from our sales representative.	○	○	×

Table 6.1 Safety observation error list (Continued)

Error code (SD32)	Detail code (SD33)	Error contents	Error cause	Corrective action	Relevant CPU		Reset
					PLC CPU	Motion CPU	
29	Error code	Sequence programs for safety observation error	The sequence programs for safety observation stored in the Motion CPU is incorrect.	Explain the error symptom and get advice from our sales representative.	—	○	×
30	0001H to 0007H (Note-5)	Safety signal module mounting error	Failed to confirm the mounting statuses of the number of safety signal units that is set in the parameter "Safety signal module number".	Check if the number of mounted safety signal units is the same as the parameter setting. Check the disconnection of the remote I/O cable. Check duplicate settings of rotary switches on safety signal units.	—	○	×
	8000H		An error is detected in the diagnosis of communication with the safety signal module.	Check the connection of the remote I/O cable. If the error cannot be resolved, explain the error symptom and get advice from our sales representative.			
32	—	Safety observation PLC CPU type error	The PLC CPU type of the 1st module doesn't support the safety observation function.	Check the PLC CPU type. If the error cannot be resolved, explain the error symptom and get advice from our sales representative.	○	—	×
33	—	Sequence program memory error	The program memory in which a user safety sequence program is stored in the Motion CPU is corrupted.	Write the user safety sequence program in the Motion CPU again.	—	○	×
34	10H+n (HEX)	PLC parameter unauthorized	The first device number setting of the safety signal module for the PLC CPU does not match with that for the Motion CPU. (n = Safety signal module station number 1 to 3)	Make the same first device number setting of the safety signal module.	○	—	×
	20H+n (HEX)		In the PLC parameter of the PLC CPU, the output mode at error for the safety signal module is incorrect. (n = Safety signal module station number 1 to 3)	Set the output mode at error for the safety signal module to "Clear".			
	30 (HEX)		In the PLC parameter of the PLC CPU, the device point setting is incorrect.	Delete the sequence programs for safety observation (SSU_CMP/SLS_CMP/SNT_CMP), and turn off the controller and then on again.			
	31 (HEX)		In the PLC parameter of the PLC CPU, the device point setting is less than the necessary device range. The following reasons may be responsible: • The points of D (except for expansion D) is less than 8k. • The points of M is less than 8k. • The points of T is less than 2k.	Check the device point setting.			
	40 (HEX)		In the PLC parameter of the PLC CPU, the time limit setting of the high-speed timer is incorrect.	Do not change the time limit setting of the high-speed timer from 10.00.			
35	—	PLC parameter read error	The PLC parameters of the PLC CPU cannot be read. The following causes are assumed. • The PLC parameter of the PLC CPU is deleted during operation.	Write the PLC parameter of the PLC CPU.	○	—	×

Table 6.1 Safety observation error list (Continued)

Error code (SD32)	Detail code (SD33)	Error contents	Error cause	Corrective action	Relevant CPU		Reset
					PLC CPU	Motion CPU	
46	—	Safety observation device memory check error (PLC CPU)	An error is detected in a device memory check of the PLC CPU.	Check if the device which is used in the sequence programs for safety observation is not used in other programs. When the error cannot be cleared by the above solution, the PLC CPU may have a failure. Explain the error symptom and get advice from our sales representative.	○	—	×
47	—	Safety observation device memory check error (Motion CPU)	An error is detected in a device memory check of the Motion CPU.	The Motion CPU may have a failure. Explain the error symptom and get advice from our sales representative.	—	○	×
48	Error device No. (HEX) (Note-3)	Safety signal output off check error at power-on (PLC CPU)	Although the output signal of the safety signal module is turned off using the output off check function, there is a feedback input signal which stays ON. The following causes are assumed: • The output status of the safety signal module is changed in the interrupt program, etc. during the output off check. • Failure of the output transistor on the safety signal module	Check if the output status of the safety signal module is changed in the interrupt program. When the error cannot be cleared by the above solution, replace the safety signal module. After measures, execute the output off check if there is no problem.	○	—	×
49		Safety signal output off check error at power-on (Motion CPU)			—	○	
50		Output off check error (PLC CPU)			○	—	
51		Output off check error (Motion CPU)			—	○	
101	Speed monitoring parameter block No.	Speed monitoring parameter comparison error	Setting mismatch in speed monitoring parameter. (Mismatch of safety speed and safety motor speed in the unit of mechanical system.)	Correct the speed monitoring parameter and write to the Motion CPU.	○	○	×
102		Servo axis data error	The consistency of pulses per rotation and travel value amount per rotation in the servo data setting and speed monitoring parameter do not match. Or, the initial processing of the servo amplifier is not completed.	Correct the speed monitoring parameter and write to the Motion CPU. Or, correct the program so that the speed monitor request signal is turned on after the initial processing of the servo amplifier is completed.	—	○	×
110		Command speed monitoring error	The command speed exceeded the safety speed during the speed monitor.	Correct the program so that the operation is executed at the safety speed or lower. Check if the safety speed is set properly.	○	○	(Note-6)
111		Feedback speed monitoring error	The feedback speed exceeded the safety motor speed during the speed monitoring.	Correct the program so that the operation is executed at the safety speed or lower. Check if the safety motor speed is set properly.	○	○	
112		Feedback position monitoring error	The difference between the command position and feedback position exceeded the allowance position deviation amount during the speed monitoring.	Review the set gain of the servo amplifier. Check if the allowance value of position deviation is set properly.	○	○	
113		Speed deviation value monitoring error	The difference between the command speed and feedback speed exceeded the allowance deviation amount during the speed monitoring.	Check the control behaviour at the motor side. Check the load fluctuation of mechanical system. Check if the allowance value of speed deviation is set properly.	○	○	
114		External auxiliary pulse input deflection monitoring error	Motor feedback position (speed) and external auxiliary pulse input, or safety encoder cumulative travel value exceeded the allowable deflection amount during the speed monitoring.	Check the machine connection of the external auxiliary pulse input. Check the machine connection of the motor. Check if the consistency of the motor travel and the external auxiliary pulse input travel matches. Check if the motor speed does not exceed the allowable input frequency of the external auxiliary pulse input.	○	○	

Table 6.1 Safety observation error list (Continued)

Error code (SD32)	Detail code (SD33)	Error contents	Error cause	Corrective action	Relevant CPU		Reset
					PLC CPU	Motion CPU	
115		Safety operating stop position command error	The command position changed during the safety operating stop.	Correct the program so that an operation which changes the command position during the safety operation stop is not executed.	○	○	(Note-6)
116		Speed monitor request timeout	The preliminary check before starting speed monitor is not finished within the specified time. (Such as when the speed monitor request signal is turned on during the motor deceleration.)	Review the timing of when turning on the speed monitor request signal.	○	○	×
120	Speed monitoring parameter block No.	Axis stop time exceeding	A status that the axis is at a stop continued for over an hour during the speed monitor that uses external auxiliary pulses.	During the safety operating stop that uses external auxiliary pulses, turn on the small oscillation request signal within an hour and execute the small oscillation operation.	—	○	(Note-6)
121		Small oscillation error	At a small oscillation, consistency of the change the feedback position from motor encoder and the change of external auxiliary pulse input did not match.	Check the machine connection of the external auxiliary pulse input. Check the machine connection of the motor. Check if the consistency of the motor travel and the external auxiliary pulse input travel matches. For the external auxiliary pulse input, set the A/B-phase mode. Confirm the ON status of the in-position signal before executing small oscillation.	—	○	×
132	Error code (Note-7)	Safety observation internal processing error	An error is detected at the internal process check for safety observation.	Explain the error symptom and get advice from our sales representative.	—	○	×
140	—	PLC CPU scan time error	The scan time of PLC CPU reached 25ms or more.	Set the scan time to 25ms or less such as by reducing the program or adding a PLC CPU. Check the software version (serial No.) of the PLC.	○	—	×
141	0000H	Process cycle error of safety observation of Motion CPU	The process cycle of safety observation of Motion CPU reached 25ms or more.	Reduce the number of steps of the user safety sequence program so that the process cycle of safety observation is 25ms or less.	—	○	×
	0001H		The safety observation processing execution time of the Motion CPU exceeded the limit.	Explain the error symptom and get advice from our sales representative.			
150	—	Voltage inside module error	The power supply voltage inside the Motion CPU is in error.		—	○	×
151	—	Temperature inside module error	The Motion CPU is overheated.	Lower the temperature inside the control panel. If the error cannot be resolved even after temperature was lowered, explain the error symptom and get advice from our sales representative.	—	○	×
220 (Note-1)	Axis No.	Servo amplifier loading error	The servo amplifier that was set by safety communication parameter does not support the safety communication function.	Connect a servo amplifier that supports safety communication function.	—	○	×
221	Axis No.	Encoder loading error	The encoder type set by safety communication parameter is different to the encoder type that is mounted.	Check that the encoder type set in the safety communication parameter and the encoder type that is mounted are matching.	—	○	×
222	Error code (Note-8)	Safety communication error (PLC CPU side)	An error is detected in the internal process check for safety communication.	Explain the error symptom and get advice from our sales representative.	○	—	×
223		Safety communication error (Motion CPU side)			—	○	×

6 TROUBLESHOOTING

Error code (SD32)	Detail code (SD33)	Error contents	Error cause	Corrective action	Relevant CPU		Reset
					PLC CPU	Motion CPU	
224	Axis No.	Safety communication connection error	An error is detected for safety communication connection.	Check the connection of the SSCNETⅢ/H cable.	—	○	(Note-2)
225		Safety communication cycle setting error	The safety communication cycle setting is different to the safety communication cycle setting of the servo amplifier.	Set the same setting for the safety communication cycle of the servo amplifier and the Motion CPU.	—	○	×
226	—	PLC CPU safety communication cycle error	<ul style="list-style-type: none"> • "SNT_CMP" is not registered in [PLC parameter] → [Program] (when safety communication function is being used). • The PLC CPU processing time exceeded the processing time necessary for safety communication processes. 	Review the PLC parameter settings. Set the safety communication cycle longer, reduce the number of PLC CPU program steps, or increase the number of PLC CPUs etc. so that there is enough processing time for the PLC CPU. Check the PLC software version (serial No.)	○	—	×
227	Error code (Note-9)	Safety communication internal processing error	An error is detected in the internal processing check for safety communication.	Explain the error symptom and get advice from our sales representative.	—	○	×

(Note-1): The system setting error [SAFETY SYS.ERR.] simultaneously occurs.

(Note-2): Reset is possible by turning the PLC ready flag (M2000) ON from OFF or the Motion error detection flag (M2039) OFF from ON.

(Note-3): Regardless of whether the CPU where an error is detected is the PLC CPU or the Motion CPU, the safety signal module device number of the PLC CPU is displayed. When errors are detected on several device numbers, the smallest number is displayed.

(Note-4): Safety observation function parameter setting error detail codes.

Detail code (SD33)	Description	Parameter type
H0001	Error of the number of the safety signal modules	Safety signal comparison parameter
H0002	Error of the safety signal mismatch allowance time	
H0003	Safety signal module 1 device No. error at the PLC CPU side	
H0004	Safety signal module 1 device No. error at the Motion CPU side	
H0006	Safety signal module 2 device No. error at the PLC CPU side	
H0007	Safety signal module 2 device No. error at the Motion CPU side	
H0009	Safety signal module 3 device No. error at the PLC CPU side	
H0010	Safety signal module 3 device No. error at the Motion CPU side	
H0013	Error of the safety observation function parameter CRC	
H0015	Out of range of multiple CPU area device address (CPU No.1)	
H0016	Out of range of multiple CPU area device address (CPU No.2)	
H0017	When the speed monitoring function is used, the multiple CPU area device address (CPU No.1/CPU No.2) is an odd number	Speed monitoring parameter
H□□40	Error of the speed monitor axis No.	
H□□41	Error of the speed monitor error detection time	
H□□42	Error of the axis unit setting	
H□□43	Error of the number of pulses per revolution	
H□□44	Error of the travel value per revolution	
H□□45	Error of the motor encoder resolution	
H□□46	Error of the number of pulses per external sensor rotation	
H□□47	Error of the travel value per external sensor rotation	
H□□48	Error of the safety speed	
H□□49	Error of the safety motor speed	
H□□50	Error of the allowance value of position deflection	
H□□51	Error of the allowance value of speed deflection	
H□□52	Error of the SSM hysteresis width	
H□□53	Error of the SSM output Y device number	
H□□54	Error of the external sensor input X device number	
H□□55	Error of the speed monitor I/O device No.	
H□□56	The SSM output Y device number is not the number on the safety signal module.	
H□□57	The external sensor input X device number is not the number on the safety signal module.	
H□□58	The speed monitor I/O device number is the number on the safety signal module.	
H□□60	At the setting of the safety operating stop, the external sensor input X device number is an odd number (single-phase input mode)	
H□□61	When omitting external auxiliary pulse input, the safety speed setting is 0.	

6 TROUBLESHOOTING

Detail code (SD33)	Description	Parameter type
H△△80	Functional safety signal start device number error at the PLC CPU side	Safety communication parameter
H△△81	Functional safety signal start device number error at the Motion CPU side	
H0082	Safety communication function multiple CPU shared device start number error at the PLC CPU side	
H0083	Safety communication function multiple CPU shared device start number error at the Motion CPU side	
H0084	Safety communication function multiple CPU shared device start number overlap at the PLC CPU side	
H0085	Safety communication function multiple CPU shared device start number overlap at the Motion CPU side	
H0086	When the safety communication function is used, the multiple CPU area device address (CPU No.1/CPU No.2) is an odd number	
H0087	In the settings of safety communication, the operation cycle is set to 0.22ms	
H○ ○88	The number of axes set to safety communication per SSCNETⅢ/H communication line exceeds the limit.	
H0089	Safety communication cycle error	

□□: Stores the speed monitor parameter block number.

(Example: When the speed monitor axis number is detected in parameter block 25, the detail code is H2540.)

△△: Stores the axis number.

(Example: When there is a functional safety signal start device number error at axis 25 of the PLC CPU side, the detail code is H2580.)

○ ○: Stores the line number.

(Example: When the number of axes set to safety communication on SSCNETⅢ/H communication line 1 exceeds the limit, the detail code is H0188.)

(Note-5): Bits 0 to 2 correspond to the station numbers 1 to 3 of the safety signal module where the error is detected respectively.

(Note-6): When the safety observation error reset enable (SM810) is turned ON, resetting is possible by executing the remote STOP of Motion CPU and then executing the remote RUN from MT Developer2. Operate after confirming safety.

(Note-7): Safety observation internal processing error detail codes.

Detail code (SD33)	Description
H0001	Motion CPU internal work memory consistency check
H0002	Motion CPU internal processing code CRC check
H0003	Stuck check for Motion CPU internal processing
H0004, H0007, H000A	Motion CPU internal processing consistency check
H0005, H0006, H000B	Motion CPU internal processing watchdog timer check
H0008	Transmission memory access check for safety signal module
H0009	Motion CPU internal clock check
H000C	Motion CPU internal processing execution sequence check
H8008	PLC CPU internal clock check
H8010	Multiple CPU high speed transmission memory check area for safety observation function

(Note-8): Safety communication error detail codes.

Detail code (SD33)	Description
H□□01 to H□□0A	Safety station receive data error
H□□0B	Safety station product information mismatch
H□□0C to H□□0F	Safety observation timeout error
H□□10	Counterpart station error detection

□□: Stores the axis number.

(Example: When a safety station product information mismatch occurs at axis 25, the detail code is H250B.)

(Note-9): Safety communication internal processing error detail codes.

Detail code (SD33)	Description
H0001	Safety communication internal processing time error
H□□02	Safety communication send data error
H0003	Safety communication processing time between CPU error
H0004, H0005, H0006	Safety communication analysis result error

□□: Stores the axis number.

(Example: When a safety communication send data error occurs at axis 25, the detail code is H2502.)

6.2 Safety Observation Warning List

When errors which do not turn off the shut-off signal occurs in the safety observation function, the safety observation warning flag (SM24) turns ON and the error code (SD32) and detail code (SD33) are stored. Release the alarm depending on contents of error codes.

The errors other than with (Note-1, Note-3, Note-5) cannot be reset. Restart the system (power supply ON or reset of PLC CPU) after release of errors.

In addition, when the safety observation warnings occur, a self-diagnostic error flag (SM1) and diagnostic error flag (SM0) turn ON, and a self-diagnostic errors (error code 10051) is stored in diagnostic errors (SD0).

Table 6.2 Safety observation warning list

Error code (SD32)	Detail code (SD33)	Error contents	Error cause	Corrective action	Relevant CPU		Reset
					PLC CPU	Motion CPU	
10	8001H	Sequence program error	The source data in the BCD instruction is other than 0 to 9999.	Correct the user safety sequence program of the Motion CPU.	—	○	(Note-1)
	8002H		Each digit of the source data in the BIN instruction is other than 0 to 9.				
	8010H		The device points in the BMOV instruction is outside the range.				
	8011H		The device points in the FMOV instruction is outside the range.				
	8012H		The device points in the DSFR instruction is outside the range.				
	8013H		The device points in the DSFL instruction is outside the range.				
	8014H		The device points in the SER instruction is outside the range.				
	8015H		The output decode data in the DECO instruction exceeds the device range.				
	8016H		The device points in the S.AVE instruction is outside the range.				
11	Error device No. (Note-2)	Safety signal unconfirmed after compare error	After detecting a safety signal compare error at the previous power-on, the ON/OFF status of the corresponding signal cannot be confirmed.	Turn off M2039 after turning on and then off the signal where the error occurred at least once.	○	○	(Note-3)
55	0001H to 0007H (Note-4)	RIO communication shutdown	An error occurred in communication with the safety signal module.	Check the wiring.	—	○	×
201	Speed monitoring parameter block No.	Positioning start disabled at small oscillation	Positioning cannot be started up for the axis during small oscillation.	Correct the program so that positioning is not started while the small oscillation execute flag is on.	—	○	(Note-3) (Note-5)
202		Clutch ON in virtual mode at small oscillation	Small oscillation cannot be started to the axis to which the small oscillation has been requested in the virtual mode because of no clutch or clutch ON.	Execute small oscillation after adding the clutch to the corresponding axis and confirming the clutch is OFF.	—	○	
			Clutch cannot be turned on because small oscillation is being executed.	Turn the clutch command off, and turn on it again after small oscillation is completed.			
203	Small oscillation timeout	Small oscillation was not completed within the specified time.	Confirm the occurrence of errors such as servo errors or minor/major errors and execute the small oscillation after resetting the errors. Correct the position of machine so that the auxiliary sensor can move ±0.6pulse or more at the small oscillation.	—	○		

Table 6.2 Safety observation warning list (Continued)

Error code (SD32)	Detail code (SD33)	Error contents	Error cause	Corrective action	Relevant CPU		Reset
					PLC CPU	Motion CPU	
204	Speed monitoring parameter block No.	Small oscillation start disabled	Small oscillation cannot be started since the axis to which the small oscillation has been requested is during the positioning operation.	Correct the program so that the small oscillation request signal is not turned on during positioning. Also, correct the program so that positioning is not started while the small oscillation execute flag is on.	—	○	(Note-3) (Note-5)
205		Mode switching during small oscillation	Small oscillation is cancelled by turning off/on the real/virtual mode switching request (M2043) during small oscillation.	Execute small oscillation again after the completion of the real/virtual mode switching.	—	○	
210		Speed monitor request acceptance disabled	Speed monitoring is not executed because the speed monitor request signal is turned on with the safety observation error occurred.	Remove the cause of the safety observation error.	—	○	
240	—	PLC CPU safety communication cycle warning	The PLC CPU scan time exceeded (safety communication cycle - 3.555[ms]).	Set the safety communication cycle longer, reduce the number of PLC CPU program steps, or increase the number of PLC CPUs etc. so that there is enough processing time for the PLC CPU.	○	—	(Note-1)

(Note-1): Reset is possible by turning the PLC ready flag (M2000) ON from OFF or the Motion error detection flag (M2039) OFF from ON.

(Note-2): Regardless of whether the CPU where an error is detected is the PLC CPU or the Motion CPU, the safety signal module device number of the PLC CPU is displayed. When errors are detected on several device numbers, the smallest number is displayed.

(Note-3): Reset is possible by turning the Motion error detection flag (M2039) OFF from ON.

(Note-4): Bits 0 to 2 correspond to the station numbers 1 to 3 of the safety signal module where the error is detected respectively.

(Note-5): When the safety observation error reset enable (SM810) is turned ON, resetting is available by executing the remote STOP of Motion CPU and then executing the remote RUN from MT Developer2. Operate after confirming safety.

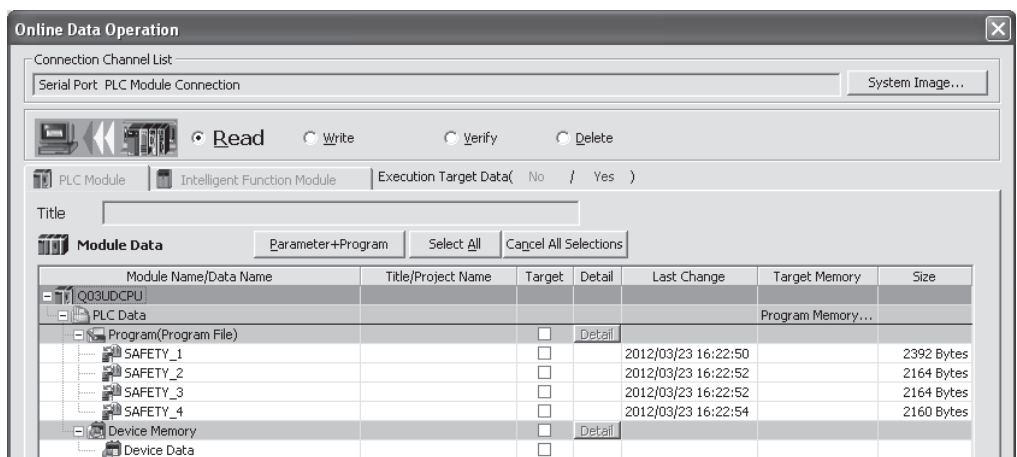
6.3 How to Correct Errors of Motion CPU Side Sequence Program

When PLC ready flag (M2000) of the Motion CPU turns from OFF to ON, check of the sequence program (detection of unavailable instructions, device range check, etc.) is performed. When the safety observation error (error code: 10, detail code: 2700H) occurs, follow the procedure below.

(1) Confirmation of error sequence program

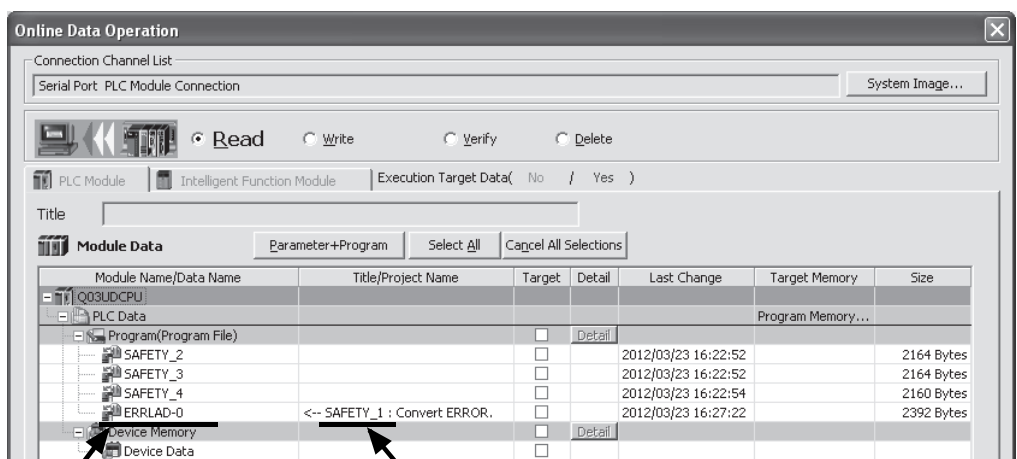
The name and the title of the faulty sequence program file change in the PLC read screen of GX Works2/GX Developer and are displayed as below.

(a) In case that No error occurs



<Screen: GX Works2>

(b) In case that error of "SAFETY_1" program occurs



<Screen: GX Works2>

The program of error is renamed the name "ERRLAD-□".
Former program name is added to the title.

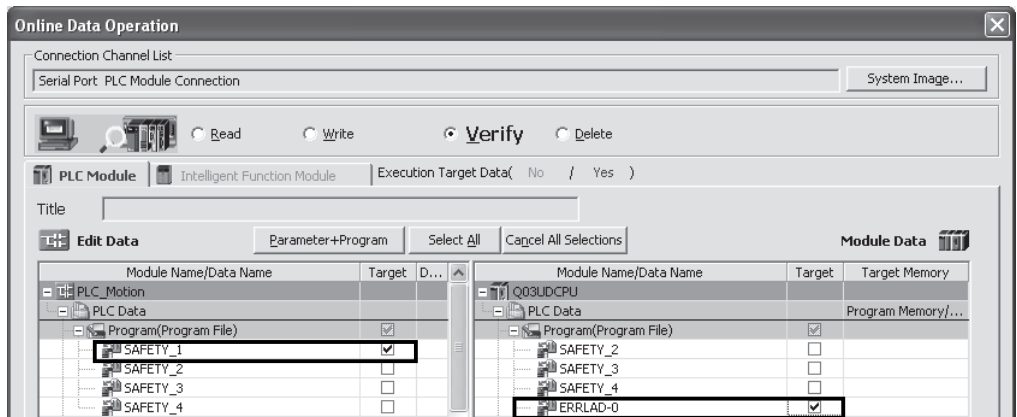
Note): Do not read the faulty sequence program file (ERRLAD-□) and do not use it. Unexpected data is included, which may cause a malfunction.

(2) Confirmation of step No. where error occurred and correction of sequence program

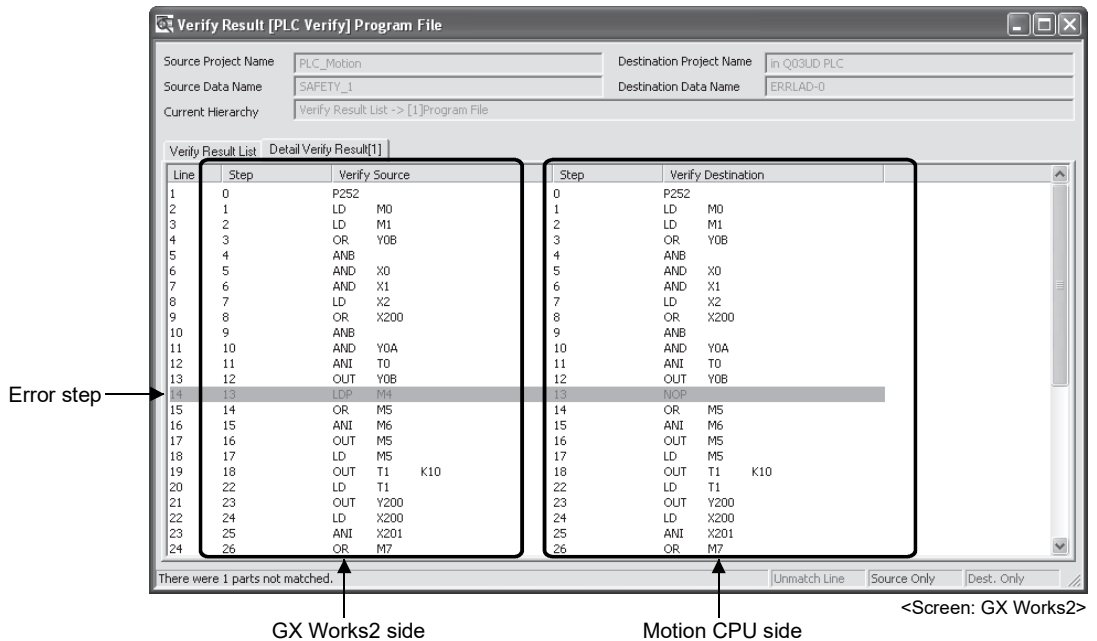
The step where an error occurred can be confirmed using the PLC comparison function.

- Edit data : Select the original sequence program file of GX Works2/GX Developer.
- Module data : Select the sequence program file where an error occurred "ERRLAD-0" of the Motion CPU.

After performing the PLC comparison, the contents of the mismatch are displayed as the example below.



Verify



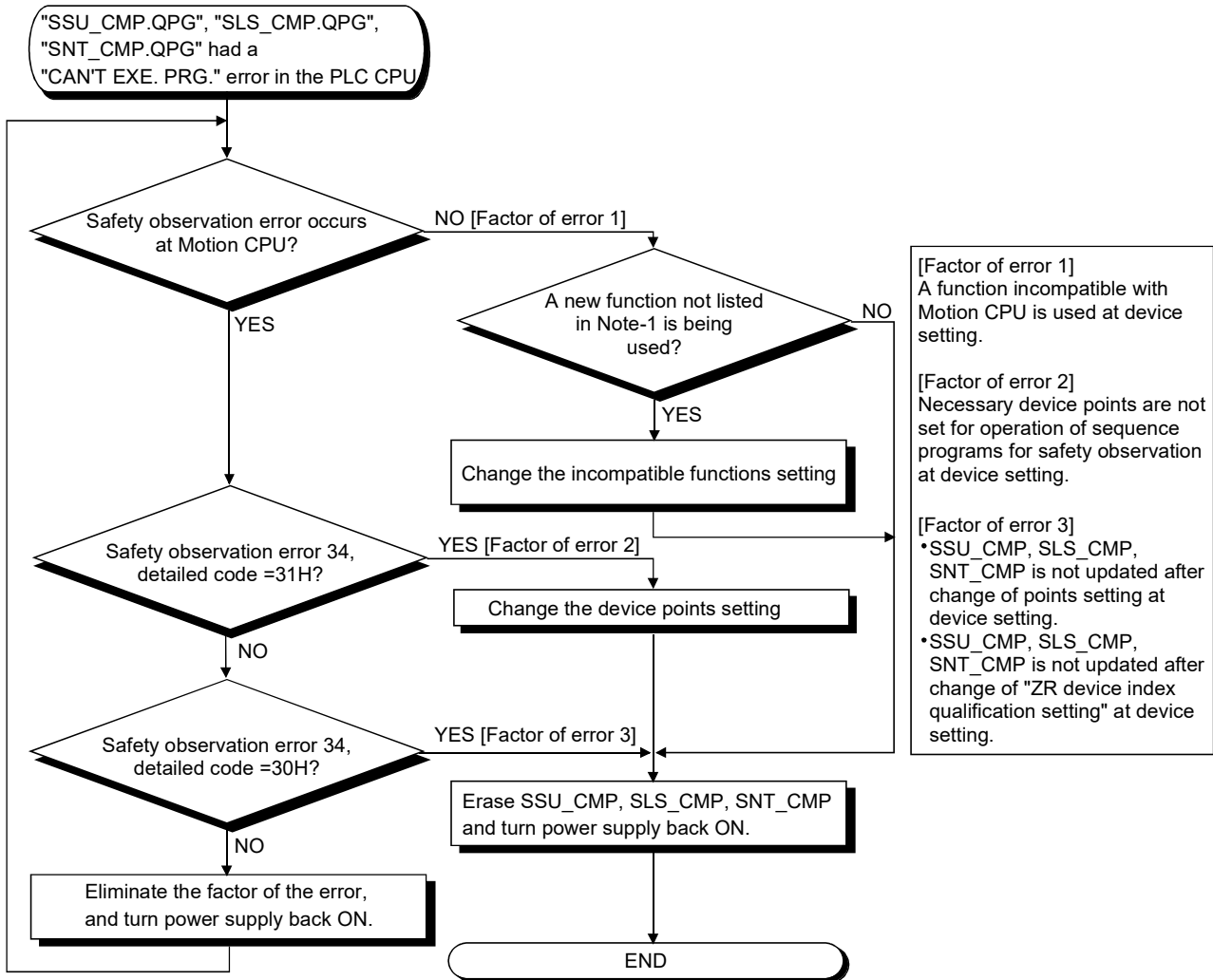
This is a step where the NOP instruction part of the Motion CPU is faulty. Double-clicking the corresponding part displays the corresponding part of the file of GX Works2/GX Developer to edit. Then correct the sequence program and write it in the Motion CPU again by PLC write.

(3) Deletion of faulty sequence program

Delete the sequence program file where an error occurred "ERRLAD-□" by the PLC data deletion. If PLC ready flag (M2000) is turned ON from OFF without deleting this file, the safety observation error (error code: 10, detailed code 2700H) occurs.

6.4 Troubleshooting when the Error "CAN'T EXE. PRG." Occurs in a PLC CPU

If a self-diagnostic error (error code: 2500) "CAN'T EXE. PRG." occurs in a PLC CPU and the cause is in a sequence programs for safety observation (file name: SSU_CMP.QPG, SLS_CMP.QPG, SNT_CMP.QPG), follow the procedure below. In addition, the name of the faulty sequence program can be confirmed in the PLC diagnostic screen of GX Works2/GX Developer.



(Note-1): The following shows the added functions related to device settings which are described in QnUCPU User' Manual (Function Explanation, Program Fundamentals) and Motion CPU supports.

- Extension of bit device
- 32 bit index indexing by "ZZ"
- Extension data register (D) and extension link register (W)
- Local device setting for index register

If new functions related to the device setting other than the above are used in a PLC CPU, a "CAN'T EXE. PRG." error occurs and a program may not operate.

APPENDICES

APPENDIX 1 Functions of GX Works2/GX Developer available for Motion CPU

Functions of GX Works2/GX Developer available for Motion CPU are shown below.

Program type	Support
Ladder	○
List	○
SFC	×
MELSAP-L	×
Function block	×

○: Available, ×: Unavailable

APPENDIX 1.1 GX Works2 features support

List of GX works2 common functions available for Motion CPU is shown below.
The following table lists the details of GX Works2 Version "1.15R". The functions that added "1.15R" or later are not described.

(1) Common functions

Large item	Middle item	Small item	Support	Remarks	
Project		New	○		
		Open	○		
		Close	○		
		Save	○		
		Save As	○		
		Compress/Unpack	○		
		Delete	○		
		Verify	○		
		Project Revision	○		
		Change PLC Type	△	Only Q03UDCPU	
		Change Project Type	○		
		Object	New	○	
			Rename	○	
			Delete	○	
			Copy	○	
			Paste	○	
			Set as Default Connection	○	
			Property	○	
		Intelligent Function Module	New Module	×	
			Delete Module	×	
			Property	×	
			Intelligent Function Module Parameter List	×	
			Import GX Configurator-QP Data	×	
	Open Other Data	Open Other Project	○		
		Read ASC Format File	×		
		Import GX Configurator-QP Data	×		
	Export to GX Developer Format File		○		

App.

APPENDICES

Large item	Middle item	Small item	Support	Remarks
Project	Library	Create	<input type="radio"/>	
		Install	<input type="radio"/>	
		Deinstall	<input type="radio"/>	
		Reload	<input type="radio"/>	
		Rename	<input type="radio"/>	
		Open	<input type="radio"/>	
		Close	<input type="radio"/>	
		Change Password	<input type="radio"/>	
		Save As	<input type="radio"/>	
		Save	<input type="radio"/>	
		Help	<input type="radio"/>	
	Security	Change Password	<input type="radio"/>	
		User Management	<input type="radio"/>	
		Data Security Setting	<input type="radio"/>	
		Print	<input type="radio"/>	
		Print Preview	<input type="radio"/>	
		Print Window	<input type="radio"/>	
	Print Window Preview	<input type="radio"/>		
	Printer Setup	<input type="radio"/>		
	Recently used files 1 to 4	<input type="radio"/>		
	Start GX Developer	<input type="radio"/>		
	Exit	<input type="radio"/>		
Edit	Undo	<input type="radio"/>		
	Redo	<input type="radio"/>		
	Cut	<input type="radio"/>		
	Copy	<input type="radio"/>		
	Paste	<input type="radio"/>		
Find/Replace	Cross Reference	<input type="radio"/>		
	Device List	<input type="radio"/>		
	Find Device	<input type="radio"/>		
	Find Instruction	<input type="radio"/>		
	Find Contact or Coil	<input type="radio"/>		
	Find String	<input type="radio"/>		
	Replace Device	<input type="radio"/>		
	Replace Instruction	<input type="radio"/>		
	Replace String	<input type="radio"/>		
	Change Open/Close Contact	<input type="radio"/>		
	Device Batch Replace	<input type="radio"/>		
Register to Device Batch Replace	<input type="radio"/>			
Compile	Build	<input type="radio"/>		
	Online Program Change	<input checked="" type="radio"/>	(Note-1)	
	Rebuild All	<input type="radio"/>		
View	Toolbar	<input type="radio"/>		
	Statusbar	<input type="radio"/>		
	Color and Font	<input type="radio"/>		
	Docking Window	<input type="radio"/>		
Online	Refer to online functions		—	

APPENDICES

Large item	Middle item	Small item	Support	Remarks
Debug	Start/Stop Simulation		○	
	Instructions Unsupported by Simulation		×	
	Modify Value		○	
	Forced Input Output Registration/ Cancellation		×	
	Device Test with Execution Condition		×	
	Sampling Trace		×	
	Scan Time Measurement		×	
Diagnostics	PLC Diagnostics		×	
	Ethernet Diagnostics		×	
	CC IE Control Diagnostics		×	
	MELSECNET Diagnostics		×	
	CC-Link Diagnostics		×	
	System Monitor		×	
Tool	IC Memory Card	Read IC Memory Card	×	
		Write IC Memory Card	×	
		Read Image Card	×	
		Write Image Card	×	
	Check Program		○	
	Check Parameter		○	
	Options		○	
	Key Customize		○	
	Device/Label Automatic-Assign Setting		△	(Note-2)
	Block Password		○	
	Confirm Memory Size		○	
	Check Intelligent Function Module Parameter		×	
	Intelligent Function Module Tool		×	
	Language Selection		○	
Window	Cascade		○	
	Tile Vertically		○	
	Tile Horizontally		○	
	Arrange Icons		○	
	Close All		○	
	(Switch to other window)		○	
	Window		○	
Help	CPU Error		○	
	Special Relay/Special Register		×	Different PLC CPU
	Operating Manual		○	
	Changes from GX Developer		○	
	Connect to MELFANSweb		○	
	About		○	

○: Available, △: Available with restrictions, ×: Unavailable

(Note-1): Online change cannot be executed to Motion CPU. Make the STOP state before writing.

(Note-2): The device used with the safety observation sequence program cannot be selected.

APPENDICES

(2) Functions for editing in ladder language

Large item	Middle item	Small item	Support	Remarks	
Edit		Undo	○		
		Delete	○		
		Restore After Ladder Conversion	○		
		Insert Row	○		
		Delete Row	○		
		Insert Column	○		
		Delete Column	○		
		NOP Batch Insert	○		
		NOP Batch Delete	○		
		Edit Line	○		
		Delete Line	○		
		Change TC Setting	○		
		Ladder Symbol	Open Contact	○	
			Close Contact	○	
			Open Branch	○	
			Close Branch	○	
			Coil	○	
			Application Instruction	○	
			Vertical Line	○	
			Horizontal Line	○	
			Delete Vertical Line	○	
			Delete Horizontal Line	○	
			Pulse Contact Symbol	×	Instruction unsupported in Motion CPU (Error at run)
			Invert Operation Results	×	
			Operation Result Rising Pulse	×	
			Operation Result Falling Pulse	×	
		Inline Structured Text		×	
		Edit FB Instance		×	
		Documentation	Device Comment	○	(Note-1)
			Statement	△	
			Note	△	
			Statement/Note Batch Edit	△	
		Easy Edit	Connect Line to Right-Side Symbol	○	
			Connect Line to Left-Side Symbol	○	
	Enter/Delete HLine Rightward		○		
	Enter/Delete HLine Leftward		○		
	Enter/Delete VLine Downward		○		
	Enter/Delete VLine Upward		○		
	Switch Open/Close Contact		○		
	Switch Statement/Note Type		△	(Note-1)	
	Instruction Partial Edit		○		

APPENDICES

Large item	Middle item	Small item	Support	Remarks	
Find/Replace	Find Device		○		
	Find Instruction		○		
	Replace Device		○		
	Replace Instruction		○		
	Device Batch Replace		○		
	Change Open/Close Contact		○		
	Change Module I/O No.		○		
	Switch Statement/Note Type		△	(Note-1)	
	Line Statement List		○		
	Jump		○		
	Jump to Next Ladder Block Start		○		
	Jump to Previous Ladder Block Start		○		
Compile	Build		○		
	Online program change		×	(Note-2)	
View	Comment		○		
	Statement		○		
	Note		○		
	Display/Non-Display Ladder Block		○		
	Display/Non-Display All Ladder Block		○		
	Device Display		○		
	All Device Display		○		
	Cancel All Device Display		○		
	Display Compile Result		○		
	Zoom		○		
	Text Size	Bigger		○	
		Smaller		○	
	Tile FB Horizontally		×		
	Open Header		○		
	Back to Zoom SFC Block		×		
	Move SFC Cursor		×		
	Open Instruction Help		○		

○: Available, △: Available with restrictions, ×: Unavailable

(Note-1): Usable Only "IN Peripheral". If "In PLC", occur an error at run.

(Note-2): Online change cannot be executed to Motion CPU. Make the STOP state before writing.

(3) Label setting functions

Large item	Middle item	Small item	Support	Remarks
Edit	Select All		○	
	Expand Declaration		○	
	Collapse Declaration		○	
	New Declaration (Before)		○	
	New Declaration (After)		○	
	Delete Row		○	
	Read from CSV File		○	
	Write to CSV File		○	

○: Available, △: Available with restrictions, ×: Unavailable

APPENDICES

(4) Device comment functions

Large item	Middle item	Small item	Support	Remarks
Edit		Undo	○	
		Redo	○	
		Select All	○	
		Import from Sample Comment	△	Some available
		Clear All	○	

○: Available,△: Available with restrictions, ×: Unavailable

(5) Setting connection destinations

Large item	Middle item	Small item	Support	Remarks
Transfer Setup Connection		PC side I/F	○	
		PLC side I/F	○	
		Other Station Setting	×	
		Network Communication Route	×	
		Co-existence Network Route	×	
		Multiple CPU setting	○	
		Target system	×	

○: Available,△: Available with restrictions, ×: Unavailable

(6) Online Functions

Large item	Middle item	Small item	Support	Remarks
Read from PLC		Target Memory	△	(Note-1)
		PLC Data (Program)	○	
		PLC Data (Device Comment)	○	
		PLC Data (Device Memory)	△	(Note-2)
		Refresh	○	
		Free volume	○	
Write to PLC		Target Memory	△	(Note-1)
		PLC Data (Program)	○	
		PLC Data (Parameter)	×	(Note-3)
		PLC Data (Global Device Comment)	△	(Note-4)
		PLC Data (Local Device Comment)	△	(Note-5)
		PLC Data (Device Memory)	△	(Note-2)
		PLC Data (Device Memory Default)	×	
Refresh/Free volume	○			
Verify with PLC		Target Memory	△	(Note-1)
		PLC Data (Program)	○	
		Refresh/Free volume	○	
Remote Operation		LED Status	○	
		Specify Execution Target	×	
		RUN	○	
		STOP	○	
		PAUSE	×	
		Latch Clear	×	(Note-6)
		RESET	×	
		Remove Memory Card	×	
Operation during RUN	×			

APPENDICES

Large item	Middle item	Small item	Support	Remarks	
Password/ Keyword	New		△	(Note-1)	
	Delete		△	(Note-1)	
	Disable		△	(Note-1)	
PLC Memory Operation	Format PLC Memory		△	(Note-7)	
	Clear PLC Memory		×		
	Arrange PLC Memory		×		
Delete PLC Data		Target Memory	△	(Note-1)	
		PLC Data (Program)	○		
		Refresh/ Free volume	○		
PLC User Data	Read PLC User Data		×		
	Write PLC User Data		×		
	Delete PLC User Data		×		
Export to ROM Format			×	(Note-6)	
Program Memory Batch Download			×		
Latch Data Backup			×		
PLC Module Change			×		
Set Clock			×	(Note-8)	
Monitor	Start/Stop Monitoring (All Windows)		○		
	Start/Stop Monitoring		○		
	Start/Stop Watching		○		
	Change Value Format (Decimal/ Hexadecimal)		○		
	Device Memory/ Buffer Memory Batch monitor	Device Name		○	
		T/C Set Value Reference Program		○	
		Buffer Memory		×	
		Display Format		○	
		Open/ Save Display Format		○	
		Modify value		○	
	Program List		×		
	Interrupt Program List		×		
	Change Instance (Function Block)		×		
	SFC All Block Batch Monitoring		×		
	SFC Auto Scroll		×		
Register to Watch		○			

○: Available, △: Available with restrictions, ×: Unavailable

(Note-1): Only program memory.

(Note-2): Only Motion CPU devices.

(Note-3): Parameter for sequence program is fixed.

(Note-4): Coexistence with the Local Device Comment is impossible.

(Note-5): Coexistence with the Global Device Comment is impossible. Only one file can be written.

(Note-6): Available at function of MT Developer2.

(Note-7): Only "Program Memory" and "Do not create a user setting system area"

(Note-8): Setting by CPU No.1.

APPENDICES

APPENDIX 1.2 GX Developer features support

List of GX Developer common functions available for Motion CPU is shown below.
The following table lists the details of GX Developer Version "8.68W". The functions that added "8.68W" or later are not described.

(1) General section functions

Large item	Middle item	Small item	Support	Remarks	
Project	New project		○		
	Open project		○		
	Close project		○		
	Save		○		
	Save as		○		
	Delete project		○		
	Verify		○		
	Copy		○		
	Edit Data	New		○	
		Copy		○	
		Delete		○	
		Rename		○	
		Change program type		×	
	Change PLC type		△	Only Q03UDCPU	
	Import file	Import from GPPQ format file		×	
		Import from GPPA format file		×	
		Import from FXGP(WIN) format file		×	
		Import from FXGP(DOS) format file		×	
		Import from TEXT, CSV format file		○	
	Export file	Export to GPPQ format files		×	
		Export to GPPA format files		×	
		Export to FXGP(WIN) format file		×	
		Export to FXGP(DOS) format file		×	
		Export to TEXT, CSV format file		○	
	Macro	Registration macros		○	
		Macro utilize		○	
		Delete macros		○	
		Macro reference path		○	
	Function Block	Diversion		×	
		Rename FB		×	
		FB Change module address		×	
	Security operation	User management		×	
Wait time settings			×		
Operation lock			×		
Printer setup		○			
Print		○			
Start new GX Developer session		○			
Exit GX Developer		○			
Edit	Undo		○		
	Restore after ladder conversion		○		
	Cut		○		
	Copy		○		

APPENDICES

Large item	Middle item	Small item	Support	Remarks	
Edit	Paste		○		
	Inditsert line		○		
	Delete line		○		
	Insert row		○		
	Delete row		○		
	Insert NOP batch		○		
	Delete NOP batch		○		
	Draw line		○		
	Delete line		○		
	Change TC setting		○		
	Read mode		○		
	Write mode		○		
	Ladder symbol	Open contact		○	
		Close contact		○	
		Open branch		○	
		Close branch		○	
		Coil		○	
		Application instruction		○	
		Vertical line		○	
		Horizontal line		○	
		Delete vertical line		○	
		Delete horizontal line		○	
		Rising pulse		×	
		Falling pulse		×	
		Rising pulse open branch		×	
		Falling pulse close branch		×	
		Invert operation results		×	
		Convert operation results to rising pulse		×	
		Convert operation results to falling pulse		×	
	Documentation	Comment		○	
		Statement		○	
		Note		○	
		Statement/Note block edit		○	
Find/Replace	Find device		○		
	Find instruction		○		
	Find step no.		○		
	Find character string		○		
	Find contact or coil		○		
	Replace device		○		
	Replace instruction		○		
	Change open/close contact		○		
	Replace character string		○		
	Change module start address		×		
	Replace statement/note type		○		
	Cross reference list		○		
	List of used devices		○		
Convert	Convert		○		
	Convert (All programs being edited)		○		
	Convert (Online change)		×	(Note-1)	

APPENDICES

Large item	Middle item	Small item	Support	Remarks
View	Comment		○	
	Statement		○	
	Note		○	
	Alias		○	
	Display device program		○	
	Macro instruction format display		○	
	Display current monitored values		○	
	Comment format	4*8 characters/3*5 characters	○	
	Alias format display	Replace device name and display/Arrange with device and display	○	
	Device program display mode	Below/Right	○	
	Number of comment lines	1 line/2 lines/3 lines/4 lines	○	
	Toolbar		○	
	Status bar		○	
	Zoom	50%/75%/100%/150%/Specify/Auto	○	
	Project data list		○	
	Project data display format	Not sort/Sort data name ascending/Sort data name descending	○	
	Instruction list		○	
	Set the contact	9 contacts/11 contacts	○	
	Elapsed time		×	
Display step synchronization		○		
Online	Refer to online functions	Refer to online functions	—	
Diagnostics	PLC diagnostics		×	
	Ethernet diagnostics		×	
	CC IE Control diagnostics		×	
	MELSECNET diagnostics		×	
	CC-Link/CC-Link/LT diagnostics		×	
	System monitor		×	
	Online module change		×	
Tools	Check program		○	
	Confirm project memory size		×	
	Merge data		○	
	Check parameter		×	
	Transfer ROM	Read/ Write/ Verify/ Write to file	×	
	Delete unused comments		○	
	Clear all parameters		×	
	IC memory card	Read IC memory card/Write IC memory card/ Read image data/ Write image data	×	
	Start ladder logic test		×	
	Set TEL data	Connection/ Disconnection/ TEL data/ AT command/ Call book	×	
	Intelligent function utility	Utility list	×	
	Customize keys		○	
	Change display color		○	
Options		△	Limited partly	
Create start-up setting file		○		
Window	Cascade		○	
	Tile vertically		○	
	Tile horizontally		○	
	Arrange icons		○	
	Close all windows		○	

APPENDICES

Large item	Middle item	Small item	Support	Remarks
Help	PLC error		×	
	Special relay/register		×	
	Key operation list		○	
	Product information		○	
	Connect to MELFANSweb		○	

○: Available, △: Available with restrictions, ×: Unavailable

(Note-1): Online change cannot be executed to Motion CPU. Make the STOP state before writing.

(2) Online section functions

Large item	Middle item	Small item	Support	Remarks
Transfer setup		PC side I/F	○	
		PLC side I/F	△	Only QnCPU
		Other station	×	
		Network route	×	
		Co-existence network route	×	
		Multiple CPU setting	○	
Read from PLC		Target memory	△	(Note-1)
		Title	×	
		File selection	△	(Note-2)
		Device data	×	
		Program	○	
		Common	△	(Note-3)
		Local	△	
		Refresh view	○	
		Free space volume	○	
Create title	×			
Write to PLC		Target memory	△	(Note-1)
		Title	×	
		File selection	△	(Note-2)
		Device data	×	
		Program	○	
		Common	△	(Note-3)
		Local	△	
		Free space volume	○	
		Create title	×	
Verify with PLC		Target memory	△	(Note-1)
		Title	×	
		File selection	△	(Note-2)
		Device data	×	
		Program	○	
		Common	△	(Note-3)
		Local	△	
		Refresh view	○	
		Free space volume	○	
Create title	×			
Write to PLC (Flash ROM)	Write the program memory to ROM		×	
	Write to PLC (Flash ROM)		×	

APPENDICES

Large item	Middle item	Small item	Support	Remarks	
Delete PLC data		Target memory	△	(Note-1)	
		Title	×		
		File selection	○		
		Refresh view	○		
		Free space volume	○		
		Create title	×		
Change PLC data attributes			×		
PLC user data	Read PLC user data		×		
	Read PLC user data		×		
	Delete PLC user data		×		
Monitor	Monitor mode/Start/Stop	ON/OFF state	○		
		Scan time display	○		
		CPU state display	○		
	Monitor (Write mode)		×		
	Start monitor		○		
	Stop monitor		○		
	Change current value monitor (Decimal/Hexadecimal)		○		
	Local device monitor		×		
	Device batch		Device	○	
			Contact	○	
			Coil	○	
			Setting value	○	
			Current value	○	
			Monitor format: Bit & word/Bit/Word	○	
			Display: 16bit integer/32bit integer/Real number/ASCII character	○	
			Value: DEC/HEX	○	
			T/C set value Reference program	○	
			Device test	○	
	Entry data monitor		Device	○	
			ON/OFF/Current value	○	
			Setting value	○	
			Contact	○	
			Coil	○	
			Display: 16bit integer/32bit integer/Real number/ASCII character	×	
			Value: DEC/HEX	×	
			T/C set value Reference program	○	
	Device test	○			
	Buffer memory batch		×		
	Monitor condition setup	Device/Step No.	×		
	Monitor stop condition setup	Device	△	(Note-4)	
		Step No.	×		
	Program monitor list		×		
	Interrupt program monitor list		×		
Scan time measurement		×			
Entry ladder monitor		×			
Delete all entry ladder		×			

APPENDICES

Large item	Middle item	Small item	Support	Remarks
Debug	Device test	FORCE ON/OFF/Toggle force	○	
		Device	○	
		Buffer memory	×	(Note-5)
	Check/disable executional conditioned device test	Execution	×	
	Executional conditioned device test	Register executional conditioned device test/ Check/disable executional conditioned device test/ Batch disable executional conditioned device test	×	
	Forced input output registration/ cancellation		×	
	Debug		×	
	Skip execution		×	
	Partial execution		×	
Step execution		×		
Trace	Sampling trace		×	
Remote operation		PLC status	○	
		RUN/STOP	△	(Note-6)
		PAUSE	×	
		Latch clear	×	
		STEP-RUN	×	
		Reset	×	
		Operation during RUN	×	
Specify execution destination	×			
Redundant operation			×	
Program memory batch transfer			×	
Latch data backup operation			×	
Safety CPU operation			×	
Password setup	Register		○	
	Delete		○	
	Disable		○	
Clear PLC memory			×	
Format PLC memory		Target memory	△	(Note-1)
		Format Type	×	
Arrange PLC memory			△	(Note-1)
Set time		YY MM DD Hr. Min. Sec./ Day of week/ Specify execution destination	×	

○: Available, △: Available with restrictions, ×: Unavailable

(Note-1): Only program memory.

(Note-2): Device data is impossible.

(Note-3): Can be saved only by one file (align the Common and Local).

(Note-4): Possible to set it during monitoring. When restarting after the monitoring stops, the error message is displayed.

(Note-5): Monitoring buffer memory is impossible, but can be set.

(Note-6): Possible to operate it When the switch is RUN.

APPENDIX 2 Example of Checklist for User Documentation



Motion controller installation checklist for manufacturer/installer

The following items must be satisfied by the initial test operation at least. The manufacturer/installer must be responsible for checking the standards in the items.

Maintain and keep this checklist with related documents of machines to use this for periodic inspection.

1. Is it based on directive/standard applied to the machine? Yes [], No []
2. Is directive/standard contained in Declaration of Conformity (DoC)? Yes [], No []
3. Does the protection instrument conform to the category required? Yes [], No []
4. Are electric shock protective measures (protection class) effective? Yes [], No []
5. Is the safety observation function checked (test of all the shut-off wiring)? Yes [], No []

Checking the items will not be instead of the first test operation or periodic inspection by professional engineers.

WARRANTY

Please confirm the following product warranty details before using this product.

1. Gratis Warranty Term and Gratis Warranty Range

We will repair any failure or defect hereinafter referred to as "failure" in our FA equipment hereinafter referred to as the "Product" arisen during warranty period at no charge due to causes for which we are responsible through the distributor from which you purchased the Product or our service provider. However, we will charge the actual cost of dispatching our engineer for an on-site repair work on request by customer in Japan or overseas countries. We are not responsible for any on-site readjustment and/or trial run that may be required after a defective unit is repaired or replaced.

[Gratis Warranty Term]

The term of warranty for Product is thirty six (36) months after your purchase or delivery of the Product to a place designated by you or forty two (42) months from the date of manufacture whichever comes first "Warranty Period". Warranty period for repaired Product cannot exceed beyond the original warranty period before any repair work.

[Gratis Warranty Range]

- (1) You are requested to conduct an initial failure diagnosis by yourself, as a general rule.
It can also be carried out by us or our service company upon your request and the actual cost will be charged. However, it will not be charged if we are responsible for the cause of the failure.
- (2) This limited warranty applies only when the condition, method, environment, etc. of use are in compliance with the terms and conditions and instructions that are set forth in the instruction manual and user manual for the Product and the caution label affixed to the Product.
- (3) Even during the term of warranty, the repair cost will be charged on you in the following cases;
 - 1) A failure caused by your improper storing or handling, carelessness or negligence, etc., and a failure caused by your hardware or software problem
 - 2) A failure caused by any alteration, etc. to the Product made on your side without our approval
 - 3) A failure which may be regarded as avoidable, if your equipment in which the Product is incorporated is equipped with a safety device required by applicable laws and has any function or structure considered to be indispensable according to a common sense in the industry
 - 4) A failure which may be regarded as avoidable if consumable parts designated in the instruction manual, etc. are duly maintained and replaced
 - 5) Any replacement of consumable parts (battery, fan, etc.)
 - 6) A failure caused by external factors such as inevitable accidents, including without limitation fire and abnormal fluctuation of voltage, and acts of God, including without limitation earthquake, lightning and natural disasters
 - 7) A failure generated by an unforeseeable cause with a scientific technology that was not available at the time of the shipment of the Product from our company
 - 8) Any other failures which we are not responsible for or which you acknowledge we are not responsible for

2. Onerous Repair Term after Discontinuation of Production

- (1) We may accept the repair at charge for another seven (7) years after the production of the product is discontinued.
The announcement of the stop of production for each model can be seen in our Sales and Service, etc.
- (2) Please note that the Product (including its spare parts) cannot be ordered after its stop of production.

3. Service in overseas countries

Our regional FA Center in overseas countries will accept the repair work of the Product; However, the terms and conditions of the repair work may differ depending on each FA Center. Please ask your local FA center for details.

4. Exclusion of Loss in Opportunity and Secondary Loss from Warranty Liability

Regardless of the gratis warranty term, Mitsubishi shall not be liable for compensation to:

- (1) Damages caused by any cause found not to be the responsibility of Mitsubishi.
- (2) Loss in opportunity, lost profits incurred to the user by Failures of Mitsubishi products.
- (3) Special damages and secondary damages whether foreseeable or not, compensation for accidents, and compensation for damages to products other than Mitsubishi products.
- (4) Replacement by the user, maintenance of on-site equipment, start-up test run and other tasks.

5. Change of Product specifications

Specifications listed in our catalogs, manuals or technical documents may be changed without notice.

6. Precautions for Choosing the Products

- (1) For the use of our Motion controller, its applications should be those that may not result in a serious damage even if any failure or malfunction occurs in Motion controller, and a backup or fail-safe function should operate on an external system to Motion controller when any failure or malfunction occurs.
- (2) Our Motion controller is designed and manufactured as a general purpose product for use at general industries. Therefore, applications substantially influential on the public interest for such as atomic power plants and other power plants of electric power companies, and also which require a special quality assurance system, including applications for railway companies and government or public offices are not recommended, and we assume no responsibility for any failure caused by these applications when used.
In addition, applications which may be substantially influential to human lives or properties for such as airlines, medical treatments, railway service, incineration and fuel systems, man-operated material handling equipment, entertainment machines, safety machines, etc. are not recommended, and we assume no responsibility for any failure caused by these applications when used.
We will review the acceptability of the abovementioned applications, if you agree not to require a specific quality for a specific application. Please contact us for consultation.
- (3) Mitsubishi shall have no responsibility or liability for any problems involving programmable controller trouble and system trouble caused by DoS attacks, unauthorized access, computer viruses, and other cyberattacks.

Microsoft, Windows, Windows NT, Windows Vista, and Windows XP are either registered trademarks or trademarks of Microsoft Corporation in the United States and/or other countries.

The company names, system names and product names mentioned in this manual are either registered trademarks or trademarks of their respective companies.

In some cases, trademark symbols such as '™' or '®' are not specified in this manual.

IB(NA)-0300183-C(2211)MEE

MODEL: Q173D-P-ANZ-E

MODEL CODE: 1XB945

MITSUBISHI ELECTRIC CORPORATION

HEAD OFFICE : TOKYO BUILDING, 2-7-3 MARUNOUCHI, CHIYODA-KU, TOKYO 100-8310, JAPAN
NAGOYA WORKS : 1-14, YADA-MINAMI 5-CHOME, HIGASHI-KU, NAGOYA, JAPAN

When exported from Japan, this manual does not require application to the
Ministry of Economy, Trade and Industry for service transaction permission.

Specifications subject to change without notice.