

System Q

Data Logger Module QD81DL96

Don't Miss A Thing

Capture, record and share system events



Capture even the briefest events, down to 1ms



Easily analyze machine events to raise performance



Quickly see machine problems and correct them



Log data from up to 64 systems

Capture, analyze and act



Know what is happening, and when

Nothing is missed

The QD81DL96 can log events that occur as little as 1ms apart. Hence even the most rapid process operations can be captured. This makes the module suitable for a wide range of applications, including high speed motion. Up to 8 GB of data can be stored on a standard Compact Flash card, meaning that even the fastest events can be followed for long periods if necessary. However, to insure efficient memory use, logging can be activated by trigger conditions, meaning that only the relevant events are captured.



Capture even the fastest events

Process optimization

Keeping a line running is not enough in today's competitive climate. Not only does a factory manager need to insure a line is running as efficiently as possible, but there is always the pressure to improve performance. Hence the ability to understand what machinery is doing and how well it is doing it is essential. But with most processes hidden from sight, or occurring too rapidly to see, this can be a challenge. The System Q QD81DL96 module addresses this by capturing process data and allowing comprehensive analysis. Hence processes can be more easily understood and process optimization becomes simplified.

Even record the events before and after a trigger condition to allow further insight of the process. For OEMs troubleshooting machines in the field, the module can also begin logging on insertion of a Compact Flash card to gain a complete machine operation history. Finally, all forms of controller data can be recorded for complete flexibility.

Data Analysis

While being able to capture and store data is obviously essential, it's equally essential to make sense of it. The data logger module contains software that allows the recording conditions to be easily determined with a "wizard" type method. Hence configuration can be achieved simply with a web browser connected to the module via the built-in Ethernet port. The software is also available in an off-line format for system development when hardware is not available.



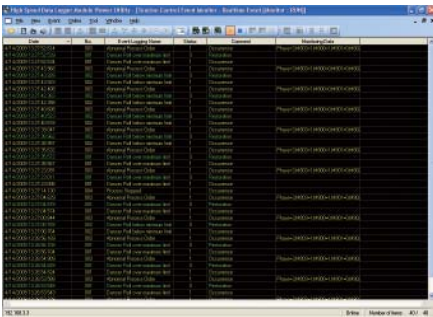
Understand even the most complex processes

Once the data is stored, the available Viewer Utility provides a comprehensive set of tools to analyze it and turn it into useful information. Data can be viewed as intuitive graphs and separate traces can be compared by superimposing them.

Finally, the data can be stored in a variety of standard formats including Microsoft® Excel®, CSV and binary data, for compatibility with most systems.



Display of data sampled by the data logging function in graph form

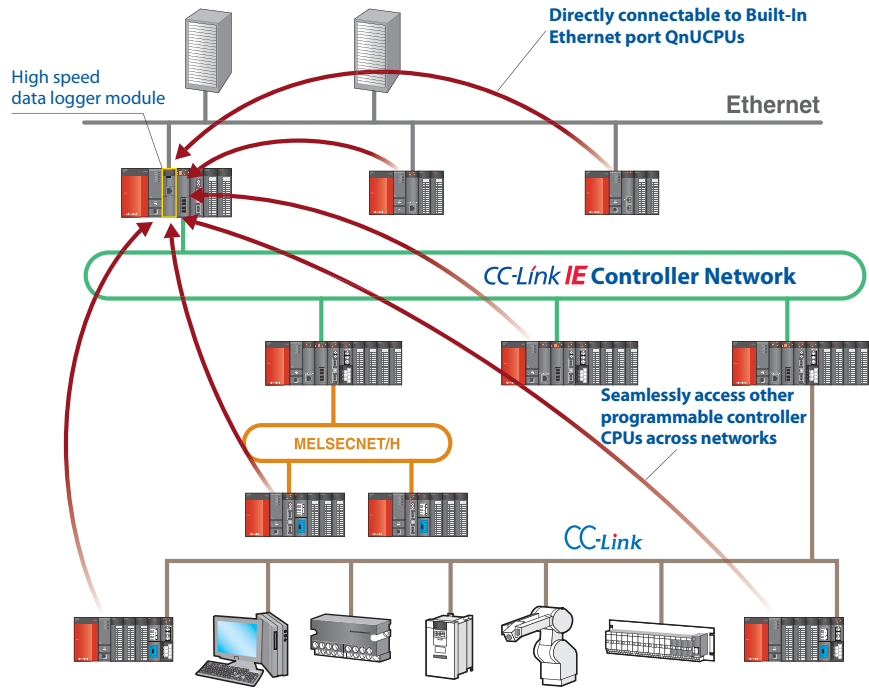


Display of event data sampled by the event logging function in list form

Logging of multiple systems

One of the most powerful features of the data logger module is its network connectivity. Rather than having to face the expense of adding a module to each system that needs it, the module can monitor the activities of up to 64 different systems over a variety of network connections. The unit supports the full Mitsubishi network architecture, meaning that all key network systems, including the CC-Link family and MELSECNET/H are supported. Hence one module can easily monitor the activities of a complete shop floor, providing huge cost savings and simplified data management.

In addition to this powerful capability, the module also supports FTP transfer to make data transfer over a network simple. This also avoids maintenance issues when a Compact Flash card is filled. This is complemented by an email capability that provides the option to send direct notification of selected events for immediate action.



Log data from up to 64 systems for significant cost savings

An SNTP (Simple Network Time Protocol) function insures that logging across multiple controllers remains synchronized, allowing events that happen in different parts of the factory to also be easily compared.



The e-F@ctory solution

Mitsubishi offers a comprehensive set of solutions to increase process visibility and optimization. As well as the QD81DL96, we can offer solutions such as our MES Interface IT that allows shop floor systems to also connect directly to MES systems at the IT level. This is all part of our e-F@ctory solution, developed from our own expertise as a global manufacturing enterprise.

Specifications ///

Data logging		Specification
Number of settings		Maximum 64 ^{*1}
Logging type		Continuous logging, trigger logging
File format		CSV file (extension: CSV), binary file (extension: BIN) ^{*2}
Period of time		Specify the target period or elimination period. <ul style="list-style-type: none"> • Data condition: Bit ON/OFF, Data - Constant value comparison, Data - Data comparison • Date range: Specify month and day of start and end. • Time range: Specify hour, minute, and second of start and end. • Day-of-the-week/week-of-the-month conditions: Specify day-of -the-week and week-of-the-month. • "And"/"Or" operations of above-listed conditions: Maximum 8 conditions ^{*3}
Trigger logging	Trigger condition	<ul style="list-style-type: none"> • Data condition: Bit ON/OFF, Data - Constant value comparison, Data - Data comparison • Change of data value • Fixed cycle: 1 to 86400 seconds • Specifying time of day: Specify month, day, hour, minute, and second. • At startup of module • "And"/"Or" operations of above-listed conditions: Maximum 8 conditions ^{*3} • Number of conditions hold true: 3 ^{*3} • Order of conditions hold true (Order and time condition): Maximum 4 ^{*3}
	Number of logging lines ^{*4}	Before trigger occurrence: 0 to 32767, after trigger occurrence: 1 to 32767
File switching timing		<ul style="list-style-type: none"> • Number of line (number of records) specification: 100 to 65535 lines • File size specification: 10 to 16384 Kbytes • Fixed cycle: 1 to 86400 seconds • Specifying time of day: Specify month, day, hour, minute, and second. • At startup of module • At every trigger logging
Number of saved files		1 to 65535

Event logging		Specification
Number of settings		Maximum 64 ^{*1}
Number of events		Maximum 64 per event logging setting
File format		CSV file (extension: CSV), binary file (extension: BIN)
Event condition		<ul style="list-style-type: none"> • Data condition: Bit ON/OFF, Data - Constant value comparison, Data - Data comparison • Change of data value • "And"/"Or" operations of above-listed conditions: Maximum 4 conditions • Number of conditions hold true: 3 • Order of conditions hold true (Order and time condition): Maximum 4
Period of time		Specify the target period or elimination period. <ul style="list-style-type: none"> • Data condition: Bit ON/OFF, Data - Constant value comparison, Data - Data comparison • Date range: Specify month and day of start and end. • Time range: Specify hour, minute, and second of start and end. • Day-of-the-week/week-of-the-month conditions: Specify day-of -the-week and week-of-the-month. • "And"/"Or" operations of above-listed conditions: Maximum 8 conditions ^{*5}
File switching timing		<ul style="list-style-type: none"> • Number of line (number of records) specification: 100 to 65535 lines • File size specification: 10 to 16384 Kbytes • Fixed cycle: 1 to 86400 seconds • Specifying time of day: Specify month, day, hour, minute, and second. • At startup of module
Number of saved files		1 to 65535

*1: Up to 64 settings in total of the data logging, event logging, and report.

*2: Can be re-output in Excel by the report function.

*3: For the high speed data sampling, up to four conditions in total of the period of time conditions and the trigger conditions.
For the general data sampling, up to eight conditions in total of the period of time conditions and the trigger conditions.

*4: Capacity of the memory (trigger buffer) to which sampled data are temporarily stored affects the setting of the number of logging lines.

Because of the capacity limit of the trigger buffer, the number of logging lines stated above may not be configured. For details, refer to the manual.

*5: For the high speed data sampling, up to four conditions.

EUROPEAN BRANCHES

MITSUBISHI ELECTRIC EUROPE B.V. D-40880 Ratingen Phone: +49 (0)2102 / 486-0	GERMANY
MITSUBISHI ELECTRIC EUROPE B.V. CZ-158 00 Praha 5 Phone: +420 - 251 551 470	CZECH REPUBLIC
MITSUBISHI ELECTRIC EUROPE B.V. F-25, Boulevard des Bouvets F-92741 Nanterre Cedex Phone: +33 (0)1 / 55 68 55 68	FRANCE
MITSUBISHI ELECTRIC EUROPE B.V. I-20041 Agrate Brianza (MB) Phone: +39 039 / 60 53 1	ITALY
MITSUBISHI ELECTRIC EUROPE B.V. PL-32-083 Balice Phone: +48 (0)12 / 630 47 00	POLAND
MITSUBISHI ELECTRIC EUROPE B.V. E-08190 Sant Cugat del Vallés (Barcelona) Phone: 902 131121 // +34 935653131	SPAIN
MITSUBISHI ELECTRIC EUROPE B.V. UK Hatfield, Herts. AL10 8XB Phone: +44 (0)1707 / 27 61 00	UK

EUROPEAN REPRESENTATIVES

GEVA Wiener Straße 89 AT-2500 Baden Phone: +43 (0)2252 / 85 55 20	AUSTRIA	AutoCont C.S. s.r.o. Technologická 374/6 CZ-708 00 Ostrava-Pustkovec Phone: +420 595 691 150	CZECH REPUBLIC	KAZPROMAUTOM. Ltd. Mustafina Str. 7/2 KAZ-470046 Karaganda Phone: +7 7212 / 50 11 50	KAZAKHSTAN	Beijer Electronics AS Postboks 487 NO-3002 Drammen Phone: +47 (0)32 / 24 30 00	NORWAY	Beijer Electronics AB Box 426 SE-20124 Malmö Phone: +46 (0)40 / 35 86 00	SWEDEN	TEXEL ELECTRONICS Ltd. 2 Ha'umanut, P.O. B. 6272 IL-42160 Netanya Phone: +972 (0)9 / 863 39 80	ISRAEL
TEHNIKON Oktyabrskaya 16/5, Off. 703-711 BY-220030 Minsk Phone: +375 (0)17 / 210 46 26	BELARUS	B-ELECTRIC, s.r.o. Mladoboleslavská 812 CZ-197 00 Praha 19 - Kbely Phone: +420 286 850 848	CZECH REPUBLIC	Beijer Electronics SIA Ritausmas iela 23 LV-1058 Riga Phone: +371 (0)784 / 2280	LATVIA	Sirius Trading & Services Aleea Lacul Morii Nr. 3 RO-060841 Bucuresti, Sector 6 Phone: +40 (0)21 / 430 40 06	ROMANIA	Omni Ray AG Im Schürli 5 CH-8600 Dübendorf Phone: +41 (0)44 / 802 28 80	SWITZERLAND	CEG INTERNATIONAL Cebaco Center/Block A Autostrade DORA Lebanon - Beirut Phone: +961 (0)1 / 240 430	LEBANON
ESCO D & A Culliganlaan 3 BE-1831 Diegem Phone: +32 (0)2 / 717 64 30	BELGIUM	Beijer Electronics A/S Lykkegårdsvej 17 DK-4000 Roskilde Phone: +45 (0)46 / 75 76 66	DENMARK	Beijer Electronics UAB Savonoriu Pr. 187 LT-02300 Vilnius Phone: +370 (0)5 / 232 3101	LITHUANIA	Craft Con. & Engineering d.o.o. Bulevar Svetog Cara Konstantina 80-86 SER-18106 Nis Phone: +381 (0)18 / 292-24-4/5	SERBIA	GTS Bayraktar Bulvari Nutuk Sok. No.5 TR-34775 Yukari ISTANBUL Phone: +90 (0)216 526 39 90	TURKEY	CBI Ltd. Private Bag 2016 ZA-1600 Isando Phone: + 27 (0)11 / 977 0770	SOUTH AFRICA
Koning & Hartman b.v. Woluwelaan 31 BE-1800 Vilvoorde Phone: +32 (0)2 / 717 02 40	BELGIUM	Beijer Electronics Eesti OÜ Pärnu mnt.160i EE-11317 Tallinn Phone: +372 (0)6 / 51 81 40	ESTONIA	ALFA TRADE Ltd. 99, Paola Hill Malta-Paola PLA 1702 Phone: +356 (0)21 / 697 816	MALTA	INEA SR d.o.o. Izletnicka 10 SER-113000 Smederevo Phone: +381 (0)26 / 617 163	SERBIA	CSC Automation Ltd. 4-B, M. Raskovoyi St. UA-02660 Kiev Phone: +380 (0)44 / 494 33 55	UKRAINE	ILAN & GAVISH Ltd. 24 Shenkar St., Kiryat Arie IL-49001 Petah-Tiqva Phone: +972 (0)3 / 922 18 24	ISRAEL
INEA BH d.o.o. Aleja Lipa 56 BA-71000 Sarajevo Phone: +387 (0)33 / 921 164	BOSNIA AND HERZEG.	Beijer Electronics OY Peltioie 37 FIN-28400 Ulvila Phone: +358 (0)207 / 463 540	FINLAND	INTEHSIS srl bld. Traian 23/1 MD-2058 Kishinev Phone: +373 (0)22 / 66 4242	MOLDOVA	AutoCont Control s.r.o. Radlinského 47 SK-02601 Dolny Kubin Phone: +421 (0)43 / 5868210	SLOVAKIA	CS Mitrade Slovensko, s.r.o. Vajanského 58 SK-92101 Piestany Phone: +421 (0)33 / 7742 760	SLOVAKIA	INEA d.o.o. Stagne 11 SI-1000 Ljubljana Phone: +386 (0)1 / 513 8100	SLOVENIA
AKHNATON 4 Andrej Ljapchev Blvd. Pb 21 BG-1756 Sofia Phone: +359 (0)2 / 817 6004	BULGARIA	UTECO A.B.E.E. 5, Mavrogenous Str. GR-18542 Piraeus Phone: +30 211 / 1206 900	GREECE	HIFLEX AUTOM. B.V. Wolverveerstraat 22 NL-2984 CD Ridderkerk Phone: +31 (0)180 - 46 60 04	NETHERLANDS	Koning & Hartman b.v. Haarlerbergweg 21-23 NL-1101 CH Amsterdam Phone: +31 (0)20 / 587 76 00	NETHERLANDS				
INEA CR d.o.o. Losinjka 4 a HR-10000 Zagreb Phone: +385 (0)1 / 36940 - 01 / 02 / 03	CROATIA	MELTRADE Ltd. Fertő utca 14. HU-1107 Budapest Phone: +36 (0)1 / 431-9726	HUNGARY								



Mitsubishi Electric Europe B.V. /// FA - European Business Group /// Gothaer Straße 8 /// D-40880 Ratingen /// Germany
Tel.: +49(0)2102-4860 /// Fax: +49(0)2102-4861120 /// info@mitsubishi-automation.com /// www.mitsubishi-automation.com

Specifications subject to change /// Art. no. 237030-A /// 01.2010

All trademarks and copyrights acknowledged.